

IGNITION CONTROL BARRIER KIT

INSTALLATION INSTRUCTIONS FOR IGNITION CONTROL BARRIER KIT (11Y73; 614060-02) USED WITH KG 092-150 UNITS

Shipping and Packing List

Package 1 of 1 contains:

- 1- Fish paper barrier

Application

This kit provides a barrier over the ignition control.

CAUTION

Danger of sharp metallic edges. Can cause injury. Take care when servicing unit to avoid accidental contact with sharp edges.

WARNING

Improper installation, adjustment, alteration, service or maintenance can cause property damage, personal injury or loss of life. Installation and service must be performed by a qualified installer, service agency or the gas supplier

Installation

- 1- Disconnect all electrical power to unit and open heat access panel.
- 2- Remove and retain the top two screws securing the ignition control to the metal box. Align the holes in the fish paper barrier behind the holes in the ignition

control. Secure barrier and control to metal box with retained screws. See figure 2.

- 3- Fold the barrier over the ignition control. See figure 1.

- 4- Replace access panel and restore power to unit.

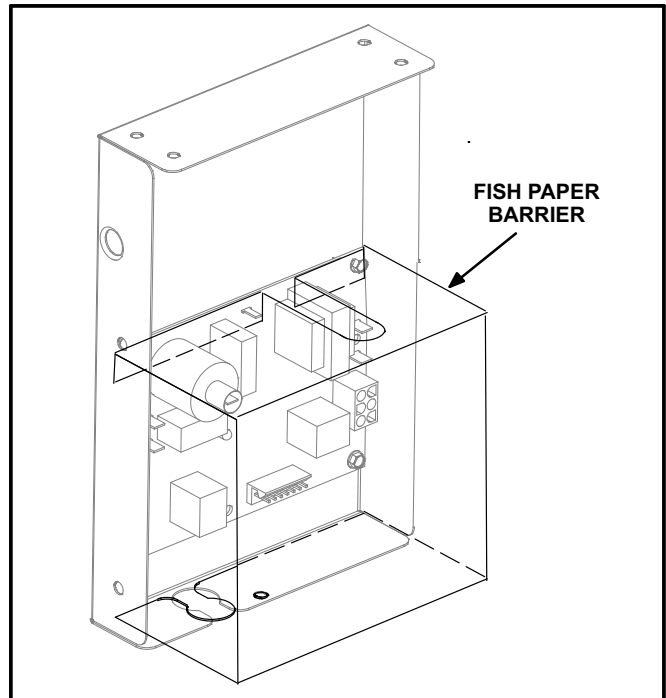


FIGURE 1

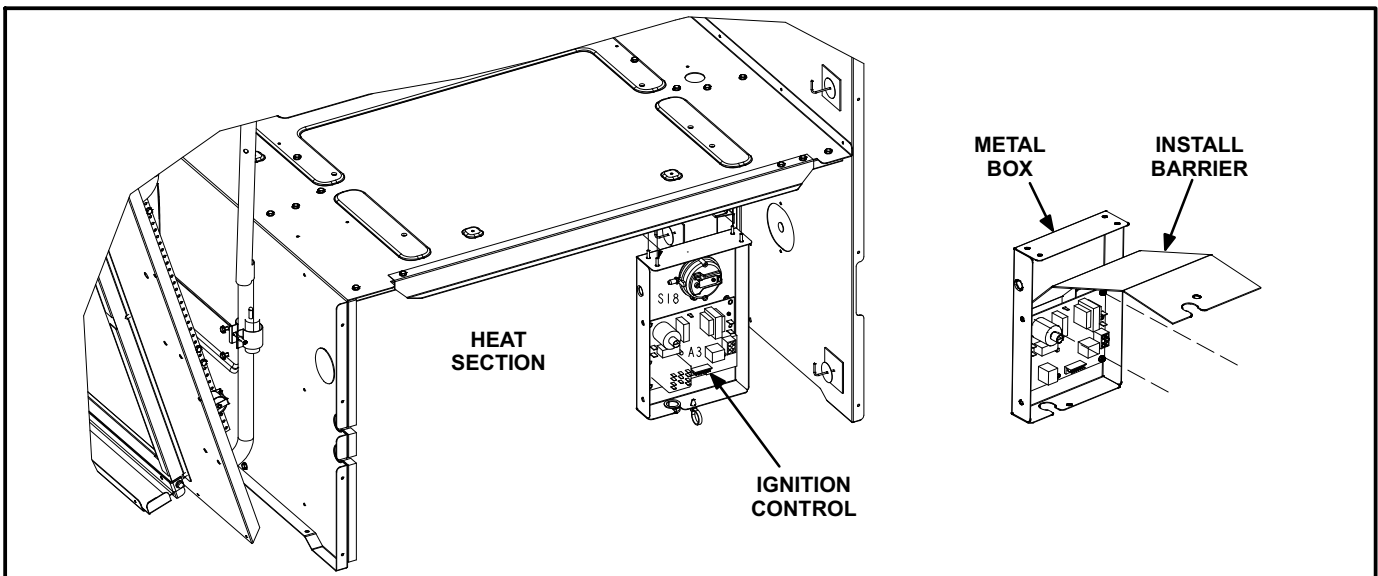


FIGURE 2