



©2021 Lennox Industries Inc.
Dallas, Texas, USA



Table of Contents

General.....	1
Included Parts.....	2
Indoor / Outdoor Unit Match-Ups.....	2
Model Number Identification.....	3
Typical Single-Zone System Components.....	4
System Dimensions.....	5
Outdoor Units.....	5
Indoor Units.....	8
System Clearances.....	8
Outdoor Unit.....	8
Indoor Unit.....	9
Torque Requirements for Caps and Fasteners.....	9
Indoor Unit Installation.....	10
Unit Placement Considerations.....	10
Floor Installation.....	10
Ceiling Installation.....	11
Indoor Unit Condensate Piping Connections.....	11
Outdoor Unit Installation.....	12
Placement Considerations.....	12
Direct Sunlight, Rain, Snow and Ice Protection.....	12
Prevailing Winds.....	13
Buried Refrigerant Pipe Protection.....	14
Outdoor Unit Condensate Piping.....	14
Securing the Outdoor Unit.....	14
Refrigerant Piping Connections.....	15
Leak Test and Evacuation.....	17
Leak Test.....	17
Triple Evacuation Procedure.....	17
Wiring Connections.....	17
Outdoor Unit.....	17
Indoor Unit.....	17
Installation Wiring Requirements.....	19
Control Board Wiring Connections.....	20
Unit Start-Up.....	26
Adding Refrigerant for Longer Line Set.....	26
Troubleshooting.....	27
Indoor Unit Error Codes.....	27
Outdoor Unit Error Codes.....	27
Self Clean Feature.....	27
Test Run.....	27
Pre-Checks.....	27
Procedure.....	27
Dry Mode Operation (Dehumidification).....	27
Procedure.....	27
Sequence of Operation.....	27

INSTALLATION INSTRUCTIONS

MLB/MPC Outdoor Units with MCFA/MCFB Indoor Units

SINGLE-ZONE MINI-SPLIT SYSTEMS
(208/230V) --
Ceiling / Floor Indoor Units
507548-08 10/2021
Supersedes 507548-07

THIS MANUAL MUST BE LEFT WITH THE OWNER FOR FUTURE REFERENCE

! WARNING

Improper installation, adjustment, alteration, service or maintenance can cause property damage, personal injury or loss of life.

Installation and service must be performed by a licensed professional HVAC installer (or equivalent) or a service agency.

! WARNING

The clean Air Act of 1990 bans the intentional venting of refrigerant (CFCs, HCFCs, and HFCs) as of July, 1992. Approved methods of recovery, recycling or reclaiming must be followed. Fines and/or incarceration may be levied for non-compliance.

! CAUTION

As with any mechanical equipment, contact with sharp sheet metal edges can result in personal injury. Take care while handling this equipment and wear gloves and protective clothing.

General

Refer to the Product Specifications bulletin (EHB) for more product information.



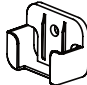

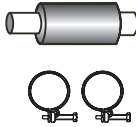
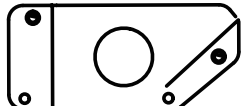
These instructions are intended as a general guide and do not supersede local or national codes in any way. Authorities having jurisdiction should be consulted before installation.

The MCFA and MCFB Ceiling/Floor indoor units are matched with an outdoor heat pump unit to create a mini-split system that uses HFC-410A refrigerant.

Included Parts



Package 1 of 1 contains the following:

1 - Assembled Indoor Unit

Parts	Figure	Quantity	Parts	Figure	Quantity
M0STAT60Q-1 Wireless controller		1	Installation and owner's manual		1 ea.
Wireless control holder with 2 mounting screws		1	Batteries (AAA)		2
3/4" Drain Adapter with two band claps.		1	Conduit Installation Plate		1

The assembled indoor unit will include the following items:

1 - Assembled Outdoor Unit and the following items:

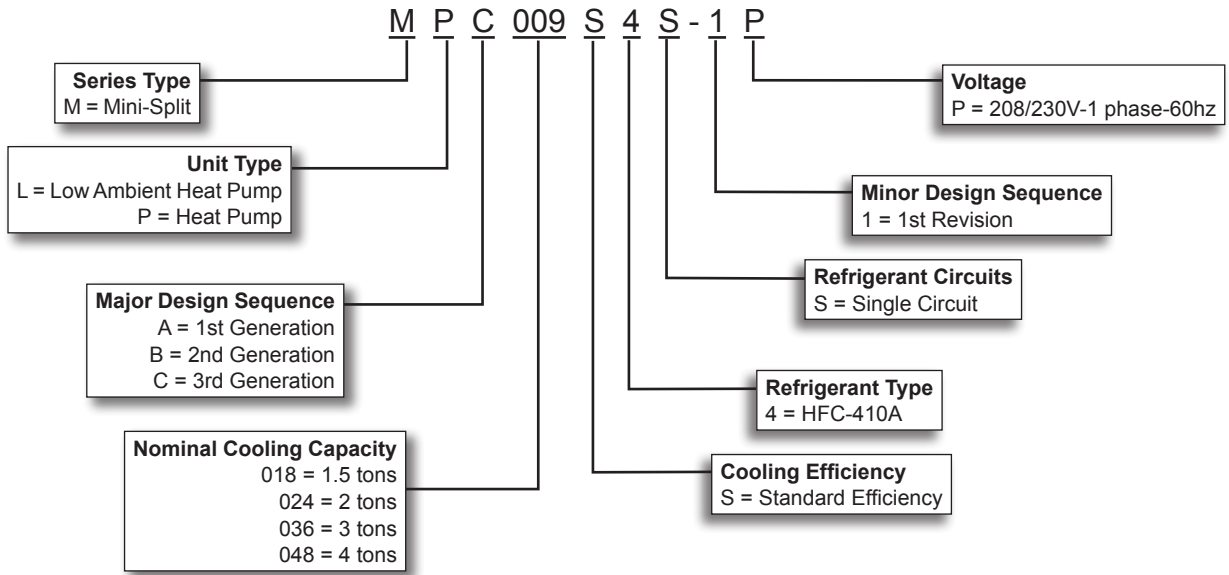
Parts	Figure	Quantity	Parts	Figure	Quantity
Drain connector		1	Seal ring		1

Indoor / Outdoor Unit Match-Ups

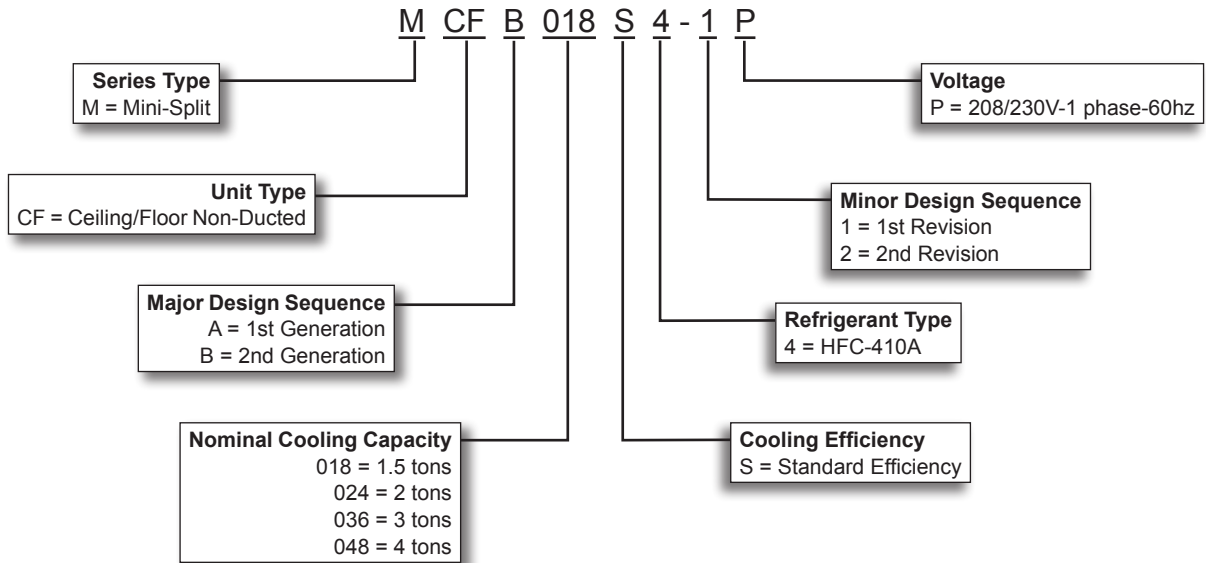
Outdoor Unit	Indoor Unit	Voltage
MPC024S4S-*P	MCFA024S4-*P	208/230V
MPC036S4S-*P	MCFA036S4-*P	208/230V
MPC048S4S-*P	MCFA048S4-*P	208/230V
MPC018S4S-*P	MCFB018S4-2P	208/230V
MLB018S4S-*P	MCFB018S4-2P	208/230V
MLB024S4S-*P	MCFA024S4-2P	208/230V
MLB036S4S-*P	MCFA036S4-2P	208/230V
MLB048S4S-*P	MCFA048S4-2P	208/230V

Model Number Identification

OUTDOOR SINGLE ZONE HEAT PUMP UNITS



CEILING/FLOOR NON-DUCTED INDOOR UNITS



Typical Single-Zone System Components

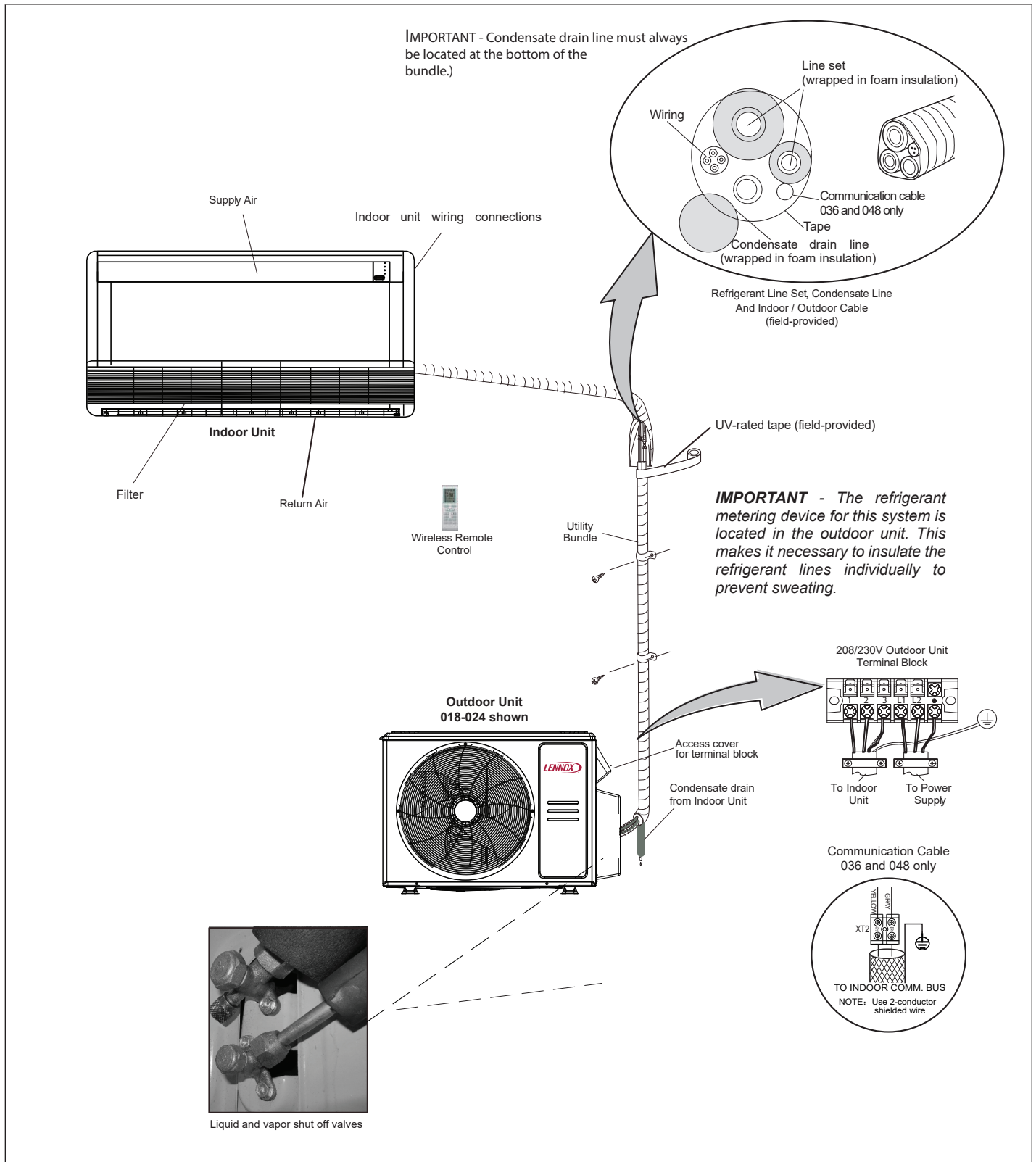


Figure 1. Typical System Shown

System Dimensions

Outdoor Units

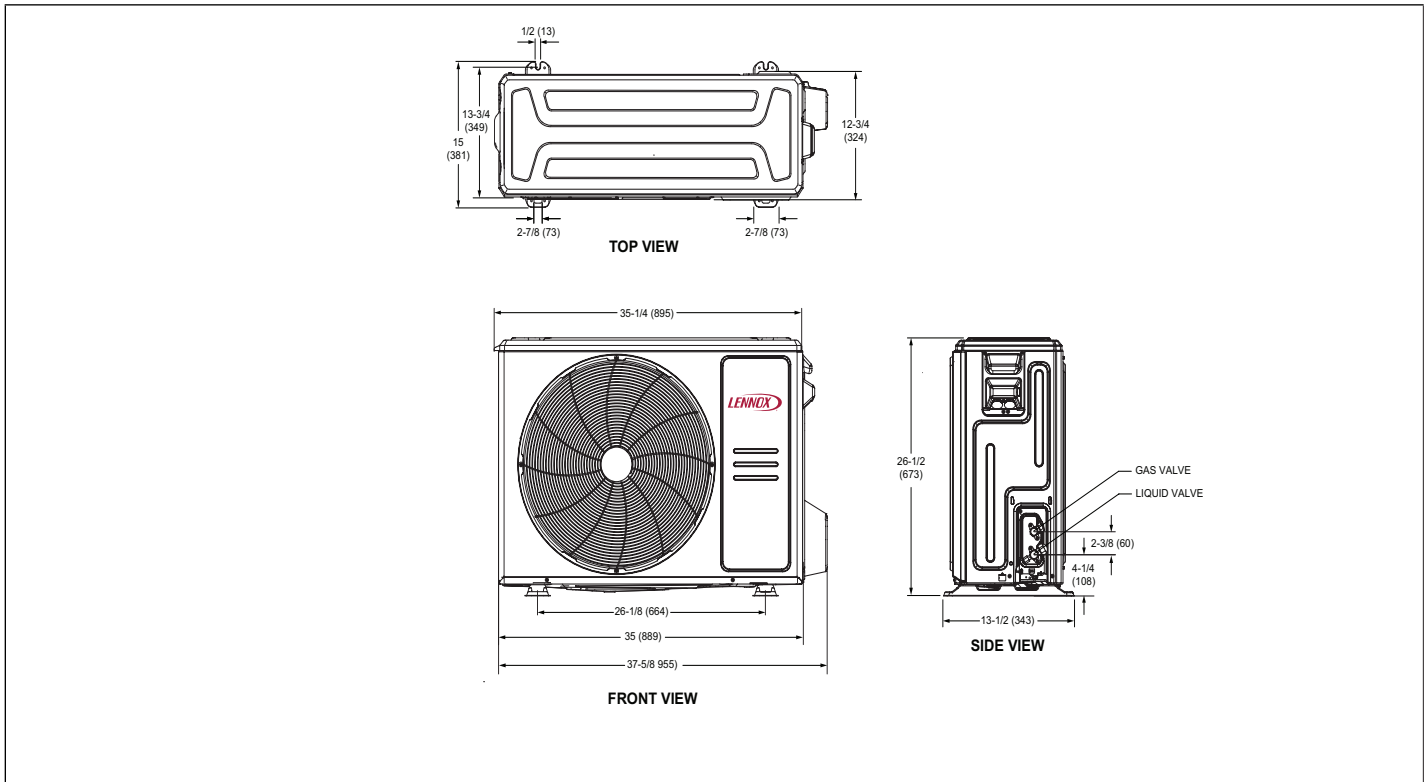


Figure 2. MPC018S4S Outdoor Unit Dimensions - Inches (mm)

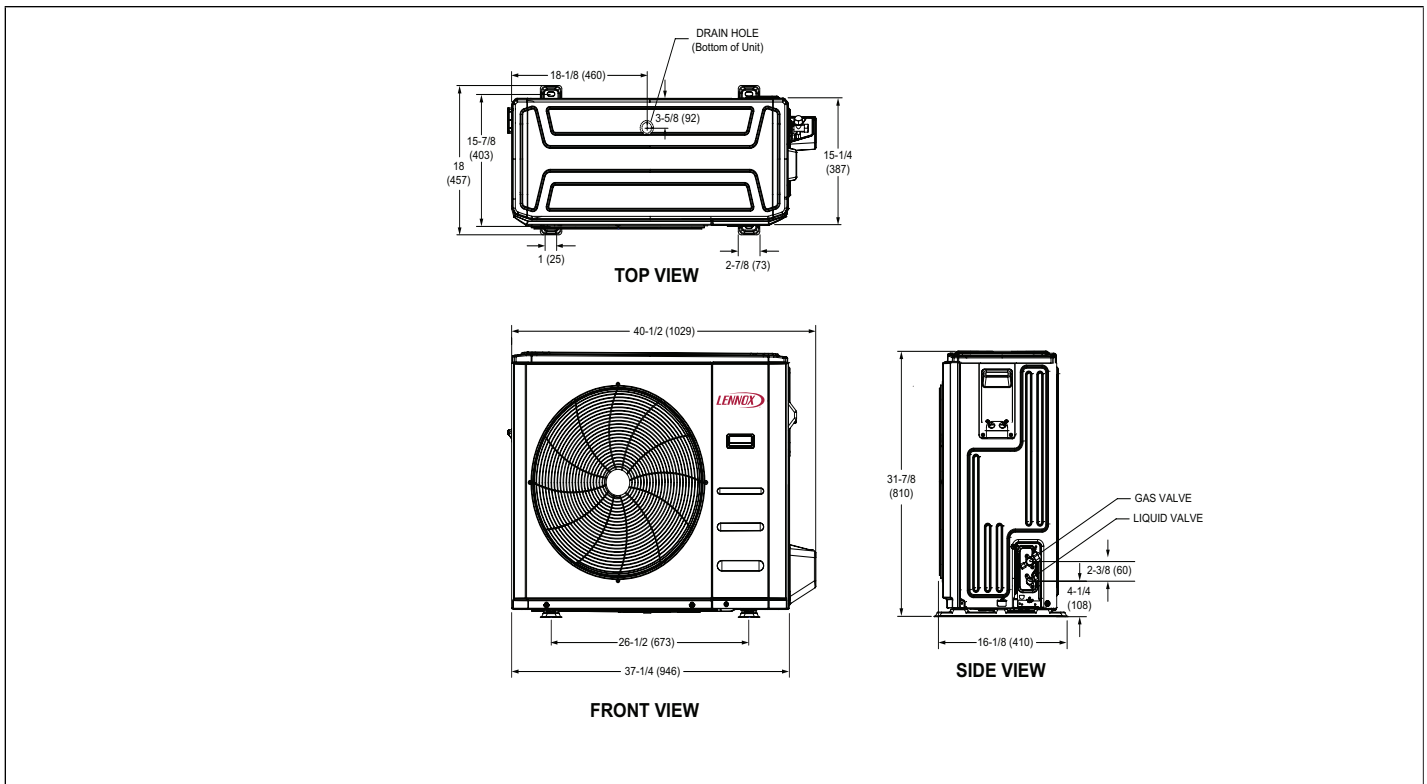


Figure 3. MPC024S4S Outdoor Unit Dimensions - Inches (mm)

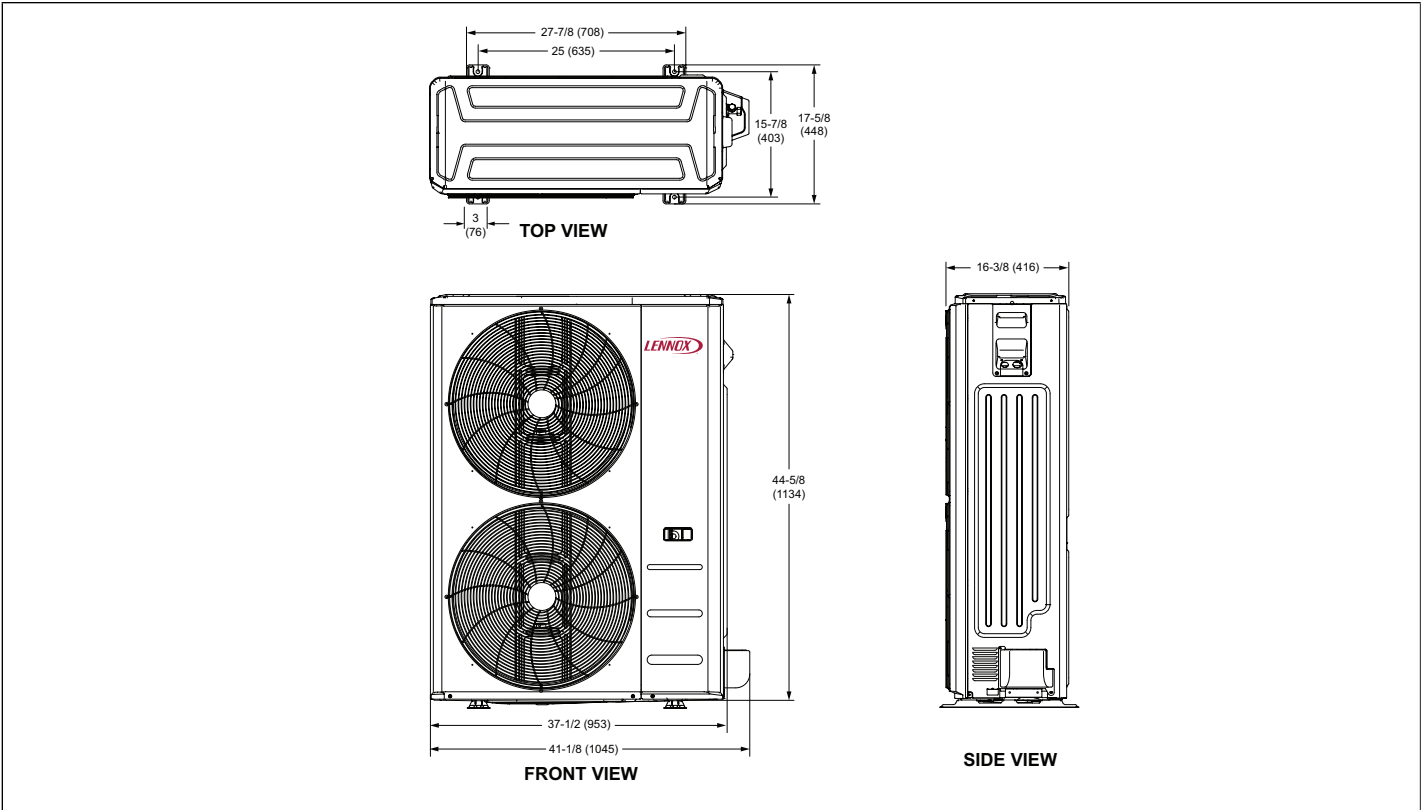


Figure 4. MPC036S4S and MPC048S4S Outdoor Unit Dimensions - Inches (mm)

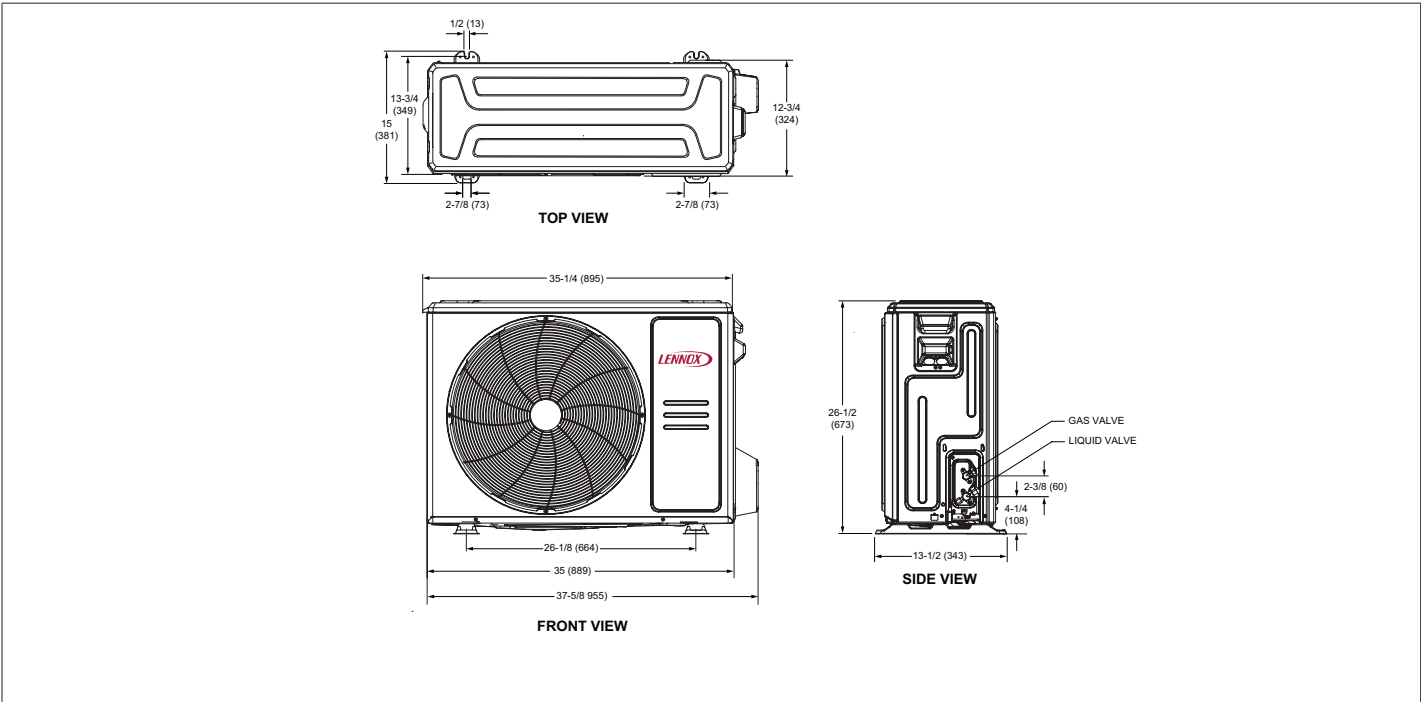


Figure 5. MLB018S4S Outdoor Unit Dimensions - Inches (mm)

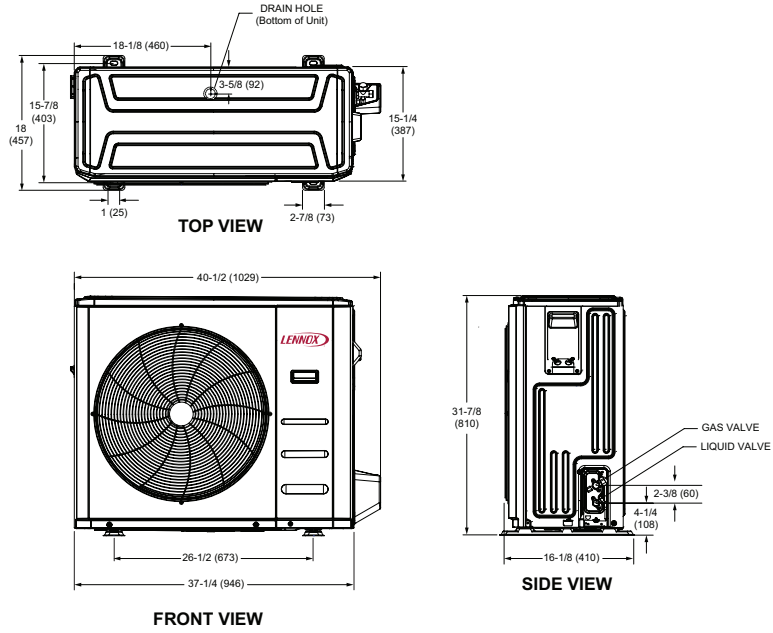


Figure 6. MLB024S4S and MLB036S4S Outdoor Unit Dimensions - Inches (mm)

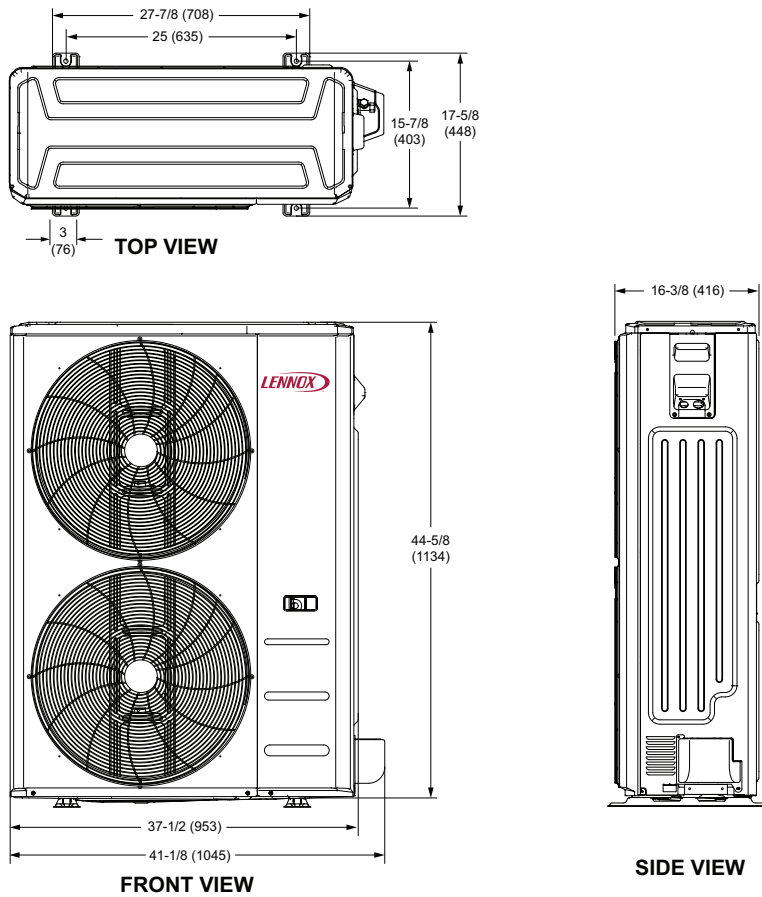
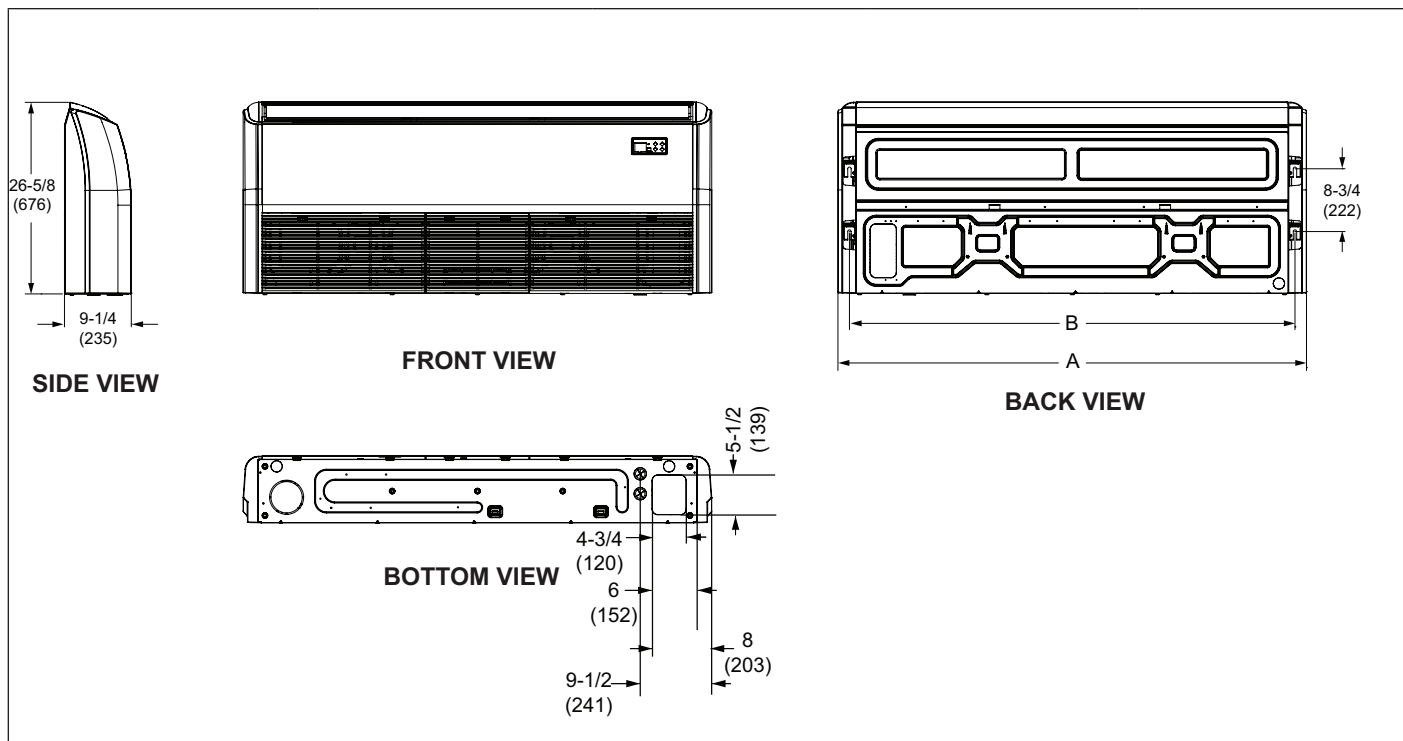


Figure 7. MLB048S4S Outdoor Unit Dimensions - Inches (mm)

Indoor Units



Model No.	A		B	
	in.	mm	in.	mm
MCFA024S4S-*P	42-1/8	1070	39	991
MCFA036S4S-*P	50-5/8	1286	47-3/8	1203
MCFA048S4S-*P	65	1651	61-3/4	1568
MCFB018S4S-*P	42-1/8	1070	39	991

Figure 8. MCFA and MCFB Indoor Unit Dimensions - Inches (mm)

System Clearances

Outdoor Unit

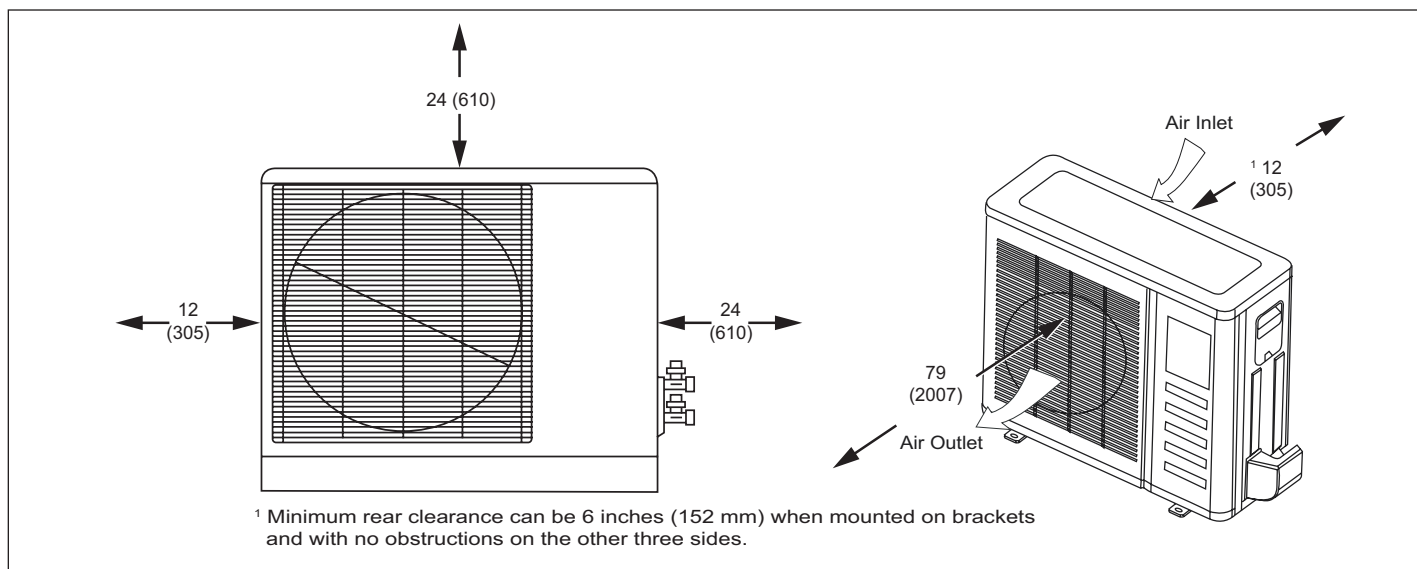


Figure 9. Outdoor Unit Clearances - Inches (mm)

INDOOR UNIT

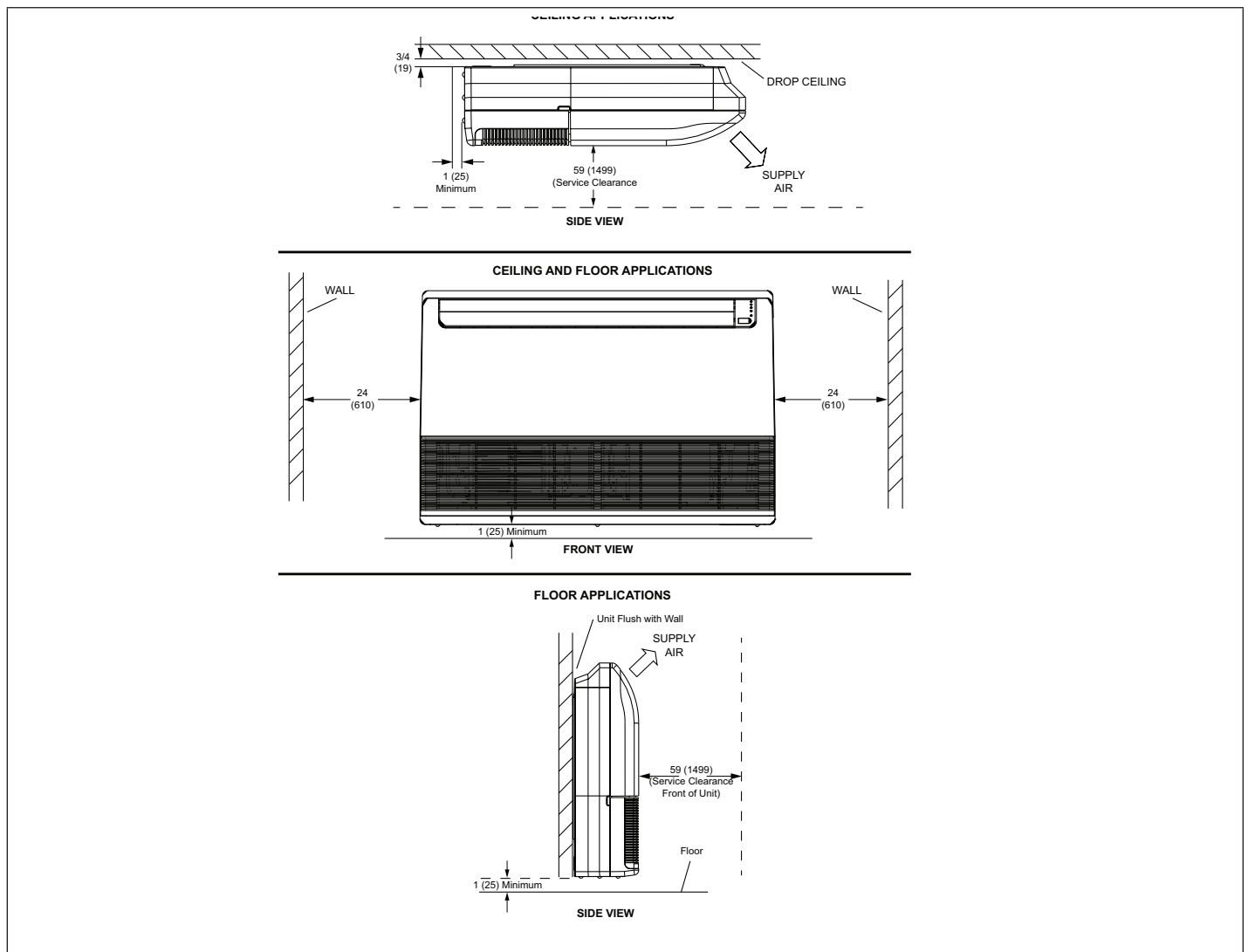


Figure 10. Indoor Unit Clearances - Inches (mm)

Torque Requirements for Caps and Fasteners

When servicing or repairing HVAC components, ensure the fasteners are appropriately tightened. "Table 1. Torque Requirements" provides torque values for fasteners.

IMPORTANT

Only use Allen wrenches of sufficient hardness (50Rc - Rockwell scale minimum). Fully insert the wrench into the valve stem recess.

Service valve stems are factory-torqued from 9 ft.-lbs. (12 N) for small valves, to 25 ft.-lbs. (34 N) for large valves) to prevent refrigerant loss during shipping and handling. Using an Allen wrench rated at less than 50Rc risks rounding or breaking off the wrench, or stripping the valve stem recess.

See the Lennox Service and Application Notes C-08-1 for further details and information.

Table 1. Torque Requirements

Parts	Recommended Torque	
	U.S.	Newton-Meter- N
Service valve cap	8 ft.-lb.	11
Sheet metal screws	16 in.-lb.	2
Machine screws #10	27 in.-lb.	3
Compressor bolts	7 ft.-lb.	10
Gauge port seal cap	8 ft.-lb.	11

Indoor Unit Installation

⚠ CAUTION

In order to avoid injury, take proper precaution when lifting heavy objects.

Unit Placement Considerations

AVOID

Do not install the unit in the following locations:

- Areas exposed to petrochemicals or petrochemical products
- Areas exposed to salt or other corrosive materials or caustic gases
- Areas exposed to extreme voltage variations (such as factories)
- Tightly enclosed areas that may impede service of the unit
- Areas exposed to fossil fuels (such as oil or gas in kitchens)
- Areas exposed to strong electromagnetic forces
- Areas exposed to acids or alkaline detergents

DO

- Place the unit so that it is not exposed to direct sunlight
- Ensure the structural ceiling can support the weight of the unit
- Select a location where condensate line will have the shortest run to a suitable drain per local codes.
- Allow sufficient space around unit for proper operation and maintenance
- Install unit a minimum of 3 feet (1m) away from any antenna, power cord (line) radio, telephone, security system, or intercom. Electrical interference and radio frequencies from any of these sources may affect operation
- Be sure to instruct customers how to properly operate the unit (especially maintenance of air filter, and operation procedure) by having them carry out operations themselves while looking at the manual provided with the controller

Floor Installation

- Locate a suitable position within the space where maintenance access and supply air will not be restricted or affected by obstacles. See “Figure 10. Indoor Unit Clearances - Inches (mm)” on page 9 for minimum clearances
- Place the MCFA or MCFB on a wall which is both capable of supporting the unit’s weight and which is constructed to enable the unit to fit flush on the wall. An uneven wall may lead to vibration and subsequent unit damage

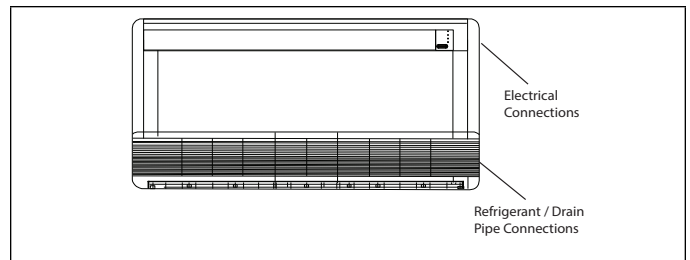


Figure 11. Floor / Wall Applications

Units are wall mounted using **factory-installed** hanging brackets.

1. Remove the side panels and grille to expose factory-installed hanging brackets on the sides of the unit.

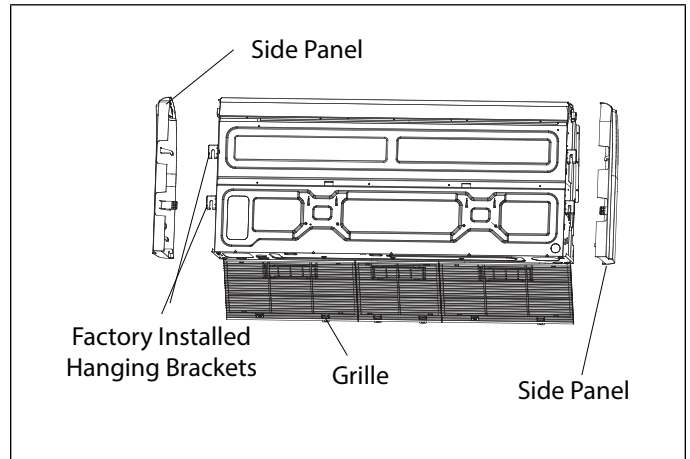


Figure 12. Remove Side Panel and Grille

2. Install four mounting bolts (appropriate for your application) to the wall. See “Figure 8. MCFA and MCFB Indoor Unit Dimensions - Inches (mm)” on page 8 to ensure proper positioning of the bolts.
3. Upon confirming the four bolts are level, correctly spaced and secured to the wall; lift the unit onto the brackets. Confirm the unit is level before continuing.

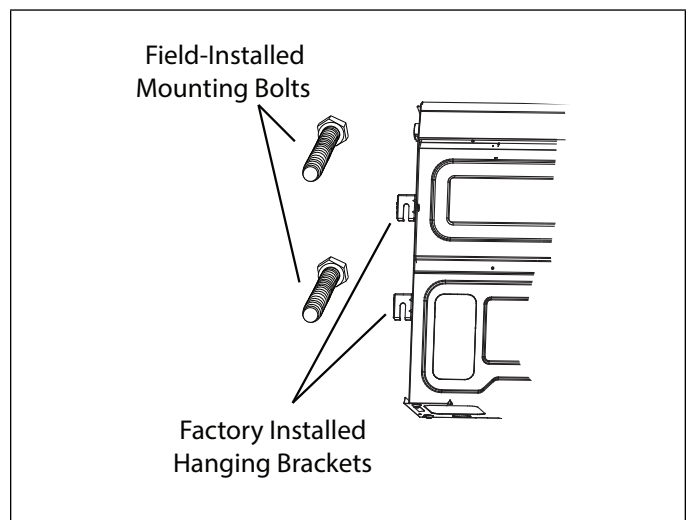


Figure 13. Hang Unit on Mounting Bolts

Ceiling Installation

- Locate a suitable position within the space where maintenance access and supply air will not be restricted or affected by obstacles
- Suspend the unit from a ceiling which is capable of supporting the unit's weight

Units are suspended from the ceiling using **factory-installed** hanging brackets.

1. Remove the side panels and grille to expose factory-installed hanging brackets on the sides of the unit

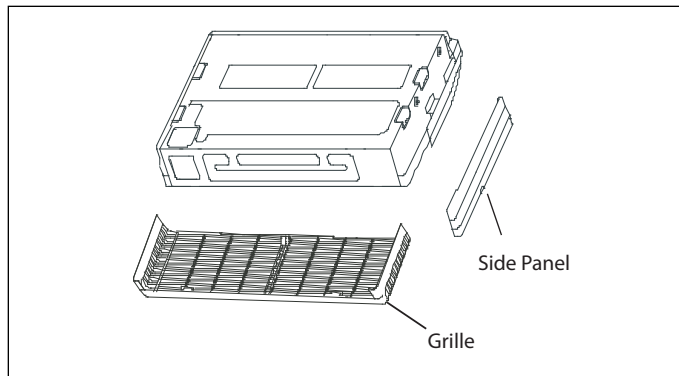


Figure 14. Remove Side Panel and Grille

2. Install suspension rods in the structural ceiling or concrete slab in a suitable location. If the structural ceiling is constructed of concrete, install anchors to accept four suitably sized threaded rods to suspend the indoor unit. If the structural ceiling includes wooden joists, use angle iron or Unistrut channel fixed securely in place to accept the threaded rods.
3. Slide one nut and one washer onto each threaded rod.

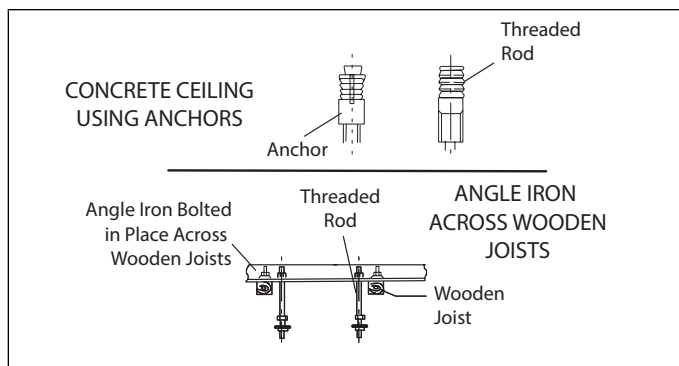


Figure 15. Locate Threaded Rods

4. Use electrical tape to keep the washer from falling off. Position the nuts
5. Slide a second washer and then a second nut onto each rod slightly above the final resting place of the hanging brackets.

6. If necessary, install a field-provided isolation grommet to prevent transmission of vibration from unit to structural ceiling.

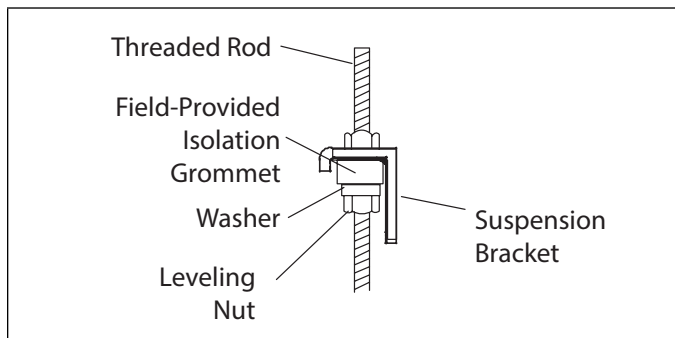


Figure 16. Locate Bracket on Threaded Rod

7. Use either a mechanical lifting device or a minimum of two people to raise the unit.
8. Hang the unit by sliding the factory-installed hanging brackets on to the threaded rods between the sets of washers and nuts.
9. Use the leveling nut (beneath hanging brackets) to adjust the unit to the correct height. Remove the electrical tape holding the upper washers and nuts in place and tighten each of the four nuts above the brackets down onto the brackets. This will ensure that the unit remains level.

Indoor Unit Condensate Piping Connections

IMPORTANT

Make sure that drain piping is properly routed and insulated to prevent both leaks and condensation.

1. Use a field-provided hose clamp to secure the drain line stub on the side of the cassette base to a field-supplied 1" (25 mm) drain line.

NOTE: Take care not to over-tighten the hose clamp as this may damage the drain line stub.

NOTE: Connection between stub and drain line must be watertight. Apply non hardening plumbing joint compound if needed to ensure a watertight seal.
2. Confirm proper slope (not less than 1/4 inch per foot (18 mm per m)) and routing of condensate lines to ensure moisture is drained away from the indoor unit.
3. Drain should be as short as possible and should not have any droops or kinks that would restrict condensate flow and shall be approved resistant pipe. **There must be a 2-inch (51 mm) space between the end of the condensate drain and the final termination point (ground, open drain, etc.) to ensure that the line will drain freely.**

- After the system installation is complete, the condensate drain line must be checked for leaks and proper drainage. If a field-provided condensate pump has been installed, it must be checked to ensure proper operation. This check is part of the start-up process which must be done by the installing contractor.

IMPORTANT

Drain should have a slope of at least $\frac{1}{4}$ inch per foot and should be approved corrosion-resistant pipe. You must confirm operation of every drain and pump in the system as part of the commissioning procedure.

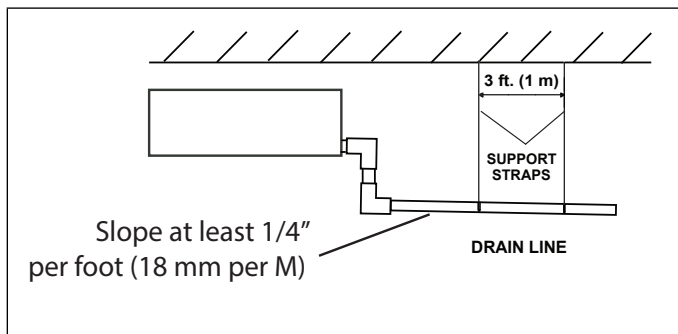


Figure 17. Indoor Unit Suspended from Ceiling using a Properly Sloped Gravity Drain

Outdoor Unit Installation

Placement Considerations

! CAUTION

In order to avoid injury, take proper precaution when lifting heavy objects.

Consider the following when positioning the unit:

- In coastal areas or other places with salty atmosphere of sulfate gas, corrosion may shorten the life of the unit. In coastal areas, the coil should be cleaned with potable water several times per year to avoid corrosive buildup (salt)
- Some localities are adopting sound ordinances based on the unit's sound level registered from the adjacent property, not from the property where the unit is installed. Install the unit as far as possible from the property line
- When possible, do not install the unit directly outside a window. Glass has a very high level of sound transmission
- Install unit level

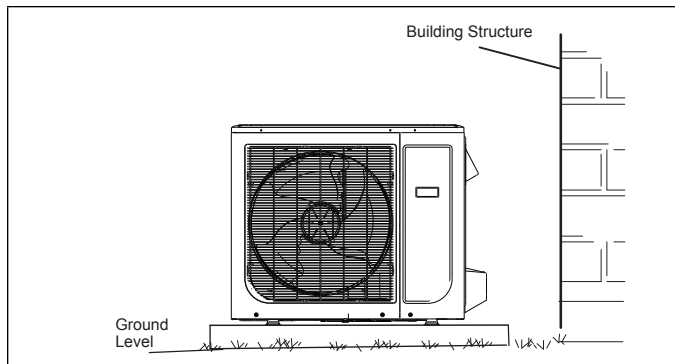


Figure 18. Install Unit Level

- Choose a place solid enough to bear the weight and vibration of the unit, where the operation noise will not be amplified
- Choose a location where the hot air discharged from the unit or the operation noise will not be a nuisance to neighbors
- Avoid installing the outdoor unit near a bedroom or other places where noise may cause a problem
- There must be sufficient space to carry the unit into and out of the site
- There must be unobstructed air flow around the air inlet and the air outlet
- The unit must not be installed in areas where a flammable gas leak may occur
- Install the outdoor unit a minimum of 3 feet (1m) away from any antenna, power cord (line), radio, telephone, security system, or intercom. Electrical interference and radio frequencies from any of these sources may affect operation
- Since water drains from the outdoor unit during various stages of operation, do not place anything which may be damaged by moisture under the unit

Direct Sunlight, Rain, Snow and Ice Protection

- If the outdoor unit is subjected to prolong exposure to direct sunlight with temperatures over 100°F (38°C) a canopy is recommended as illustrated in "Figure 19. Outdoor Unit on Pedestal (Stand) and Protective Canopy" or "Figure 24. Dog House-Style Shelter" on page 14.

IMPORTANT

The construction of a canopy or shade is recommended because of an ambient limit control set to 122°F (50°C) to protect the electronics. If the outdoor unit is placed in direct sunlight it is possible that the limit may activate and shut down the unit.

- Place unit away from overhanging roof lines which would allow water or ice to drop on, or in front of, coil or into unit. Construct a canopy as illustrated in "Figure 19. Outdoor Unit on Pedestal (Stand) and Protective Canopy"

- The unit base should be elevated above the depth of average snows as illustrated in “Figure 20. Outdoor Unit on Brackets above Snow Line”
- In heavy snow areas, do not place the unit where drifting will occur as illustrated in “Figure 21. Outdoor Unit Air Flow Obstructed by Snow” on page 13
- Carefully consider how to manage defrost water disposal to prevent ice from blocking walkways or creating a safety hazard near the outdoor unit as illustrated in “Figure 22. Avoid Defrost Water Ice Hazard” on page 13

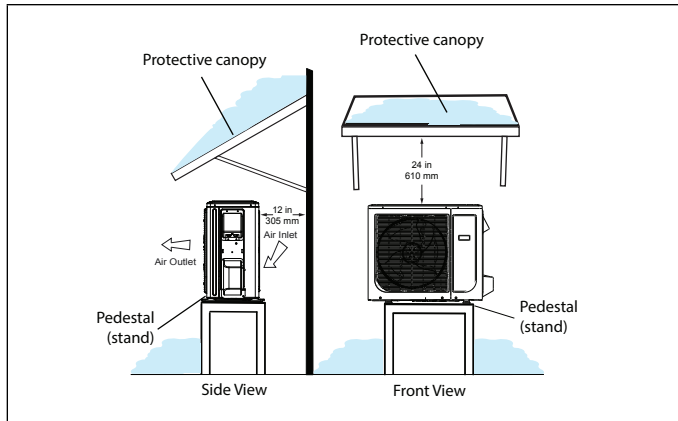


Figure 19. Outdoor Unit on Pedestal (Stand) and Protective Canopy

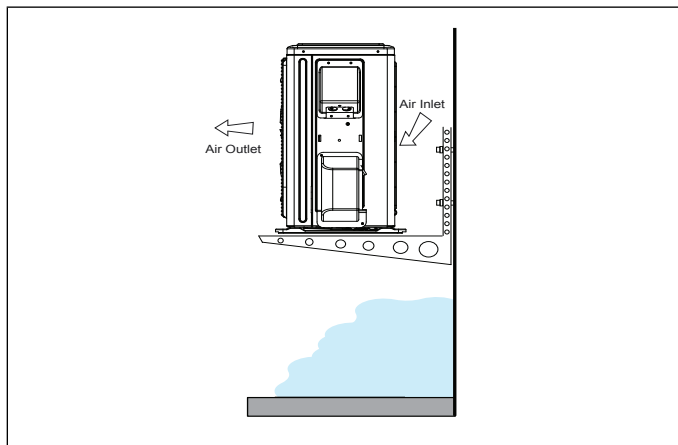


Figure 20. Outdoor Unit on Brackets above Snow Line

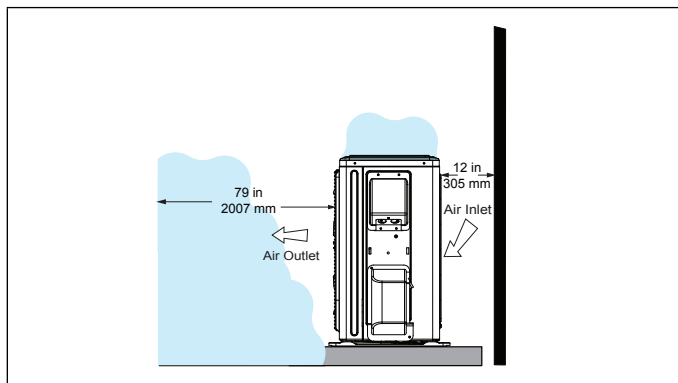


Figure 21. Outdoor Unit Air Flow Obstructed by Snow

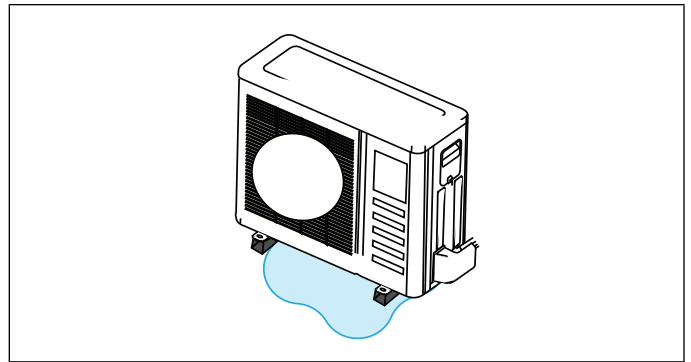


Figure 22. Avoid Defrost Water Ice Hazard

Prevailing Winds

Normally wind baffles are not required for a outdoor unit. However, in order to maximize reliability and performance, the following best practices should be followed.

If unit coil cannot be installed away from prevailing winter winds, some method of protecting the coil is recommended. However, minimum clearances as reference in “Figure 9. Outdoor Unit Clearances - Inches (mm)” on page 8 must be observed at all times.

Common application examples are:

- When prevailing winds are from the air inlet side, then position the wind barrier a minimum of 12 inches (305 mm) from the unit as illustrated in “Figure 23. Wind Barrier”
- When prevailing wind is into the discharge side, then position the wind barrier a minimum 79 inches (2007 mm) from the front of the unit as illustrated in “Figure 23. Wind Barrier”
- Outdoor unit can be installed in a dog house style shelter as illustrated in “Figure 24. Dog House-Style Shelter”
- a roof overhang as illustrated in “Figure 25. Unit installed in Alcove”

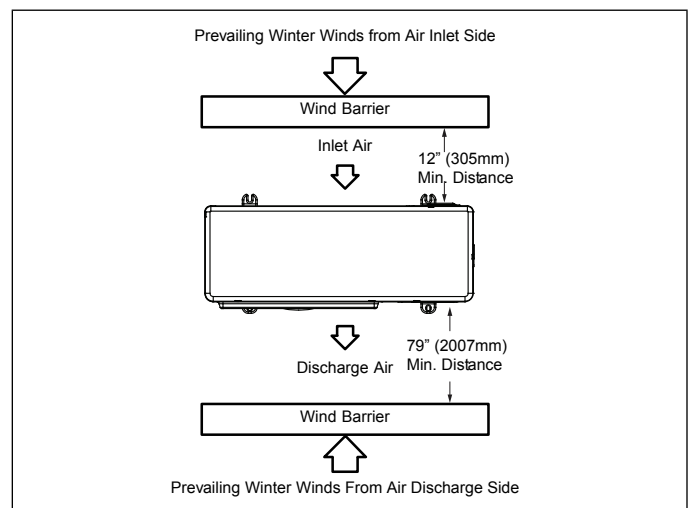


Figure 23. Wind Barrier

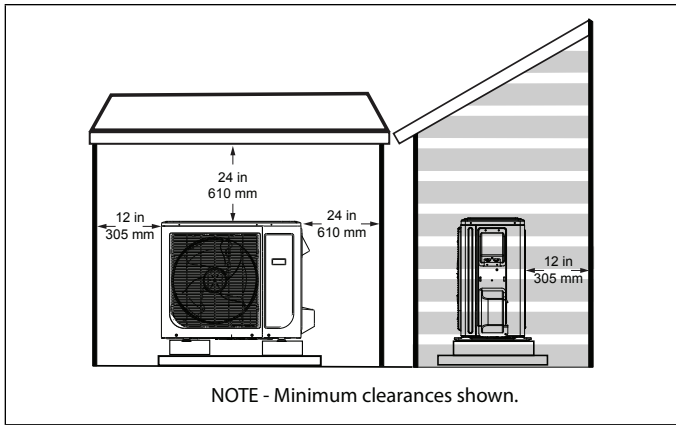


Figure 24. Dog House-Style Shelter

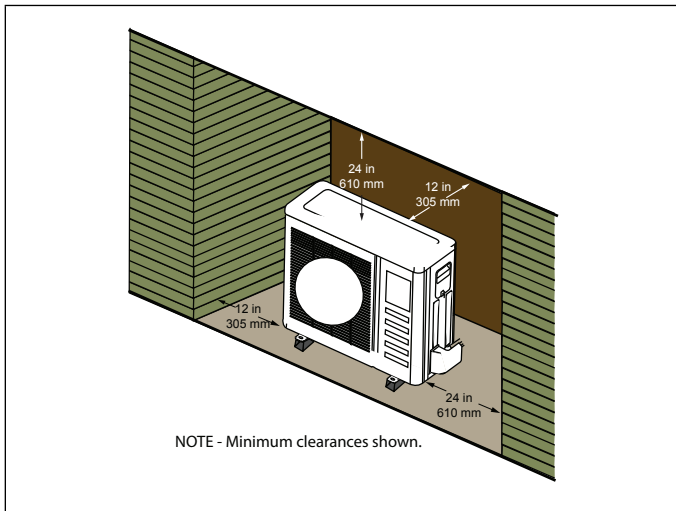


Figure 25. Unit installed in Alcove

Buried Refrigerant Pipe Protection

- All refrigerant lines must be insulated regardless of if it is buried
- In addition to insulating each line of piping, buried lines must rest inside a **sealed, watertight** conduit
- The conduit must be designed so it cannot collect and retain water

Outdoor Unit Condensate Piping

Condensate formed during the heating and defrost processes must be drained from heat pump units. Drain holes are provided in the base of the units to ensure proper drainage. Heat pumps must be raised when installed on a concrete pad or the ground to allow drainage to occur. If the heat pump unit is installed on wall mounting bracket, insert the provided drain connector into one of the 1 inch (25 mm) drain holes and attached a field-provided insulated drain hose to the connector. Use field-provided rubber plugs to cover any unused drain holes.

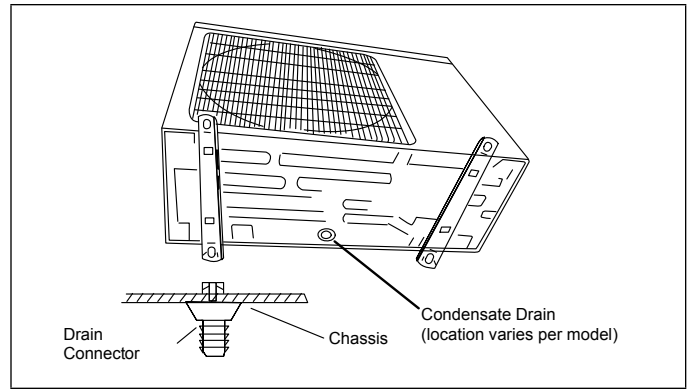


Figure 26. Condensate Drain

Securing the Outdoor Unit

Slab or Roof Mounting

Install the unit a minimum of 4 inches (102 mm) above the roof or ground surface to avoid ice build-up around the unit. Place the unit above a load bearing wall or area of the roof that can adequately support the unit. Consult local codes for rooftop applications.

⚠ CAUTION

Roof Damage!

This system contains both refrigerant and oil. Some rubber roofing material may absorb oil. This will cause the rubber to swell when it comes into contact with oil. The rubber will then bubble and could cause leaks. Protect the roof surface to avoid exposure to refrigerant and oil during service and installation. Failure to follow this notice could result in damage to roof surface.

Securing Outdoor Unit to Slab, Frame, or Rails

If the outdoor unit is installed on a field-provided slab or frame, use lag bolts or equivalent to secure the outdoor unit to the slab or frame.

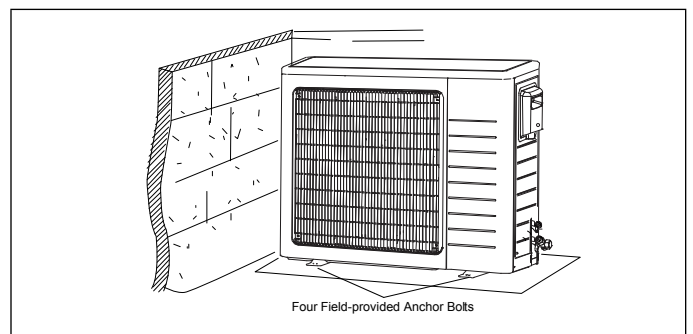


Figure 27. Securing Outdoor Unit to Slab

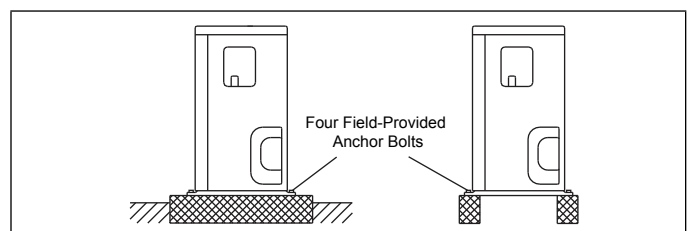


Figure 28. Securing Outdoor Unit to Rails

Securing Outdoor Unit To Hanging Brackets

If the outdoor unit is installed on field-provided wall mounting brackets, use lag bolts or equivalent to secure the outdoor unit to the bracket. Minimum rear clearance can be reduced to 6 inches (152 mm) when mounted on brackets and with no obstructions on the other three sides. Allow for condensate disposal when placing units above one another.

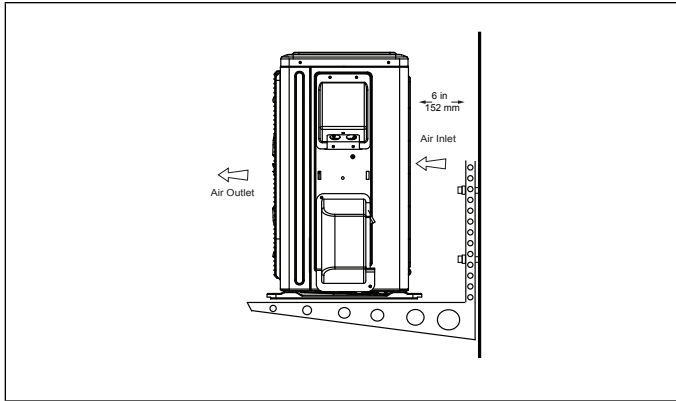


Figure 29. Securing Outdoor Unit to Brackets

Refrigerant Piping Connections

Line sets consists of two copper pipes connecting the outdoor unit to the indoor unit. "Table 3. Refrigerant Piping and Indoor Unit Connection Sizes" lists the connection sizes. The connections are made using the provided brass flare nuts at the end of the refrigerant piping connections.

1. Choose the correct pipe sizes for your application using "Table 3. Refrigerant Piping and Indoor Unit Connection Sizes".
2. Confirm that you are using the correct diameter piping.
3. Determine the necessary piping length required for the application.
4. Cut the selected pipes with a pipe cutter. Make the cuts flat and smooth as illustrated in "Figure 30. Cutting Pipe".

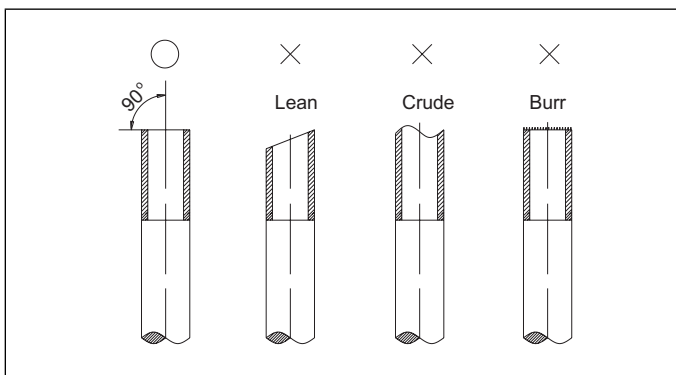


Figure 30. Cutting Pipe

5. Insulate the copper piping.
6. Insert a flare nut onto each pipe before flaring.
7. Use "Table 2. Flaring Piping" to properly flare the pipe.

Table 2. Flaring Piping

Pipe Diameter	Flare Dimension A (mm)		Flare Shape
	Min	Max	
1/4" (6.35)	8.3	8.7	
3/8" (9.62)	12.0	12.4	
1/2" (9.52")	15.4	15.8	
5/8" (15.9)	18.6	19.1	
3/4" (22.9)	22.9	23.3	

8. After flaring the pipe, temporarily sealed pipe ends with adhesive tape to avoid contaminants from entering the pipes.
9. The seal on the unit refrigerant piping connections should remain in place until the last possible moment. This will prevent dust or water from getting into the refrigerant piping before it is connected.
10. **CAREFULLY** adjust refrigerant piping connections to suit the application.
11. Slowly loosen one of the flare nuts to release the factory nitrogen charge from the indoor units only.
12. Remove the flare nuts from the connections on the unit and discard the seal from each of the piping connections.
13. Slide the flare nuts onto the ends of the field-provided refrigerant piping before using a suitable flaring tool to flare the end of the copper pipe.
14. Apply recommended HFC-410A refrigerant lubricant to the outside of the flared refrigerant lines.

IMPORTANT

The compressor in this unit contains PVE oil (Polyvinylether). PVE oil is formulated for hydrofluorocarbon (HFC) refrigerants, such as HFC-410A, which this system contains. While it may have some miscibility properties with mineral-based oil and POE oil (Polyolester), it is not recommended to mix PVE oil with any other type of refrigerant oil.

15. Align the threaded connections with the flared refrigerant lines. Tighten the flare nuts lightly at first to obtain a smooth match as illustrated in "Figure 31. Making Connections (Male to Female Connection)".

Table 3. Refrigerant Piping and Indoor Unit Connection Sizes

Size (Btuh)	Liquid Line in.	Gas Line in.
18000	1/4	1/2

Table 3. Refrigerant Piping and Indoor Unit Connection Sizes

Size (Btuh)	Liquid Line in.	Gas Line in.
24000, 36000 & 48000	3/8	5/8

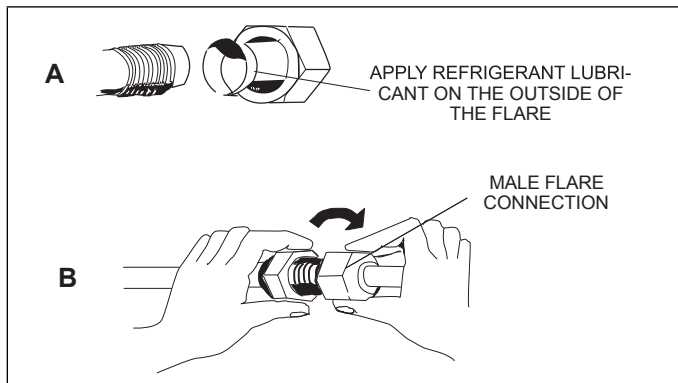


Figure 31. Making Connections (Male to Female Connection)

16. Once snug, continue another half-turn on each nut which should create a leak-free joint. A torque wrench may be used to tighten flare nuts using “Table 4. Flare Nut Torque Recommendations” on page 16. **Do not over-tighten a flared joint. Flared connections**

should always be accessible and must be insulated to prevent condensation.

17. After refrigerant piping has been installed and checked for leaks, apply insulation over all flared connections.

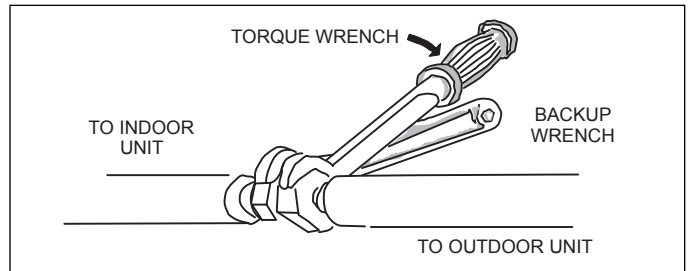
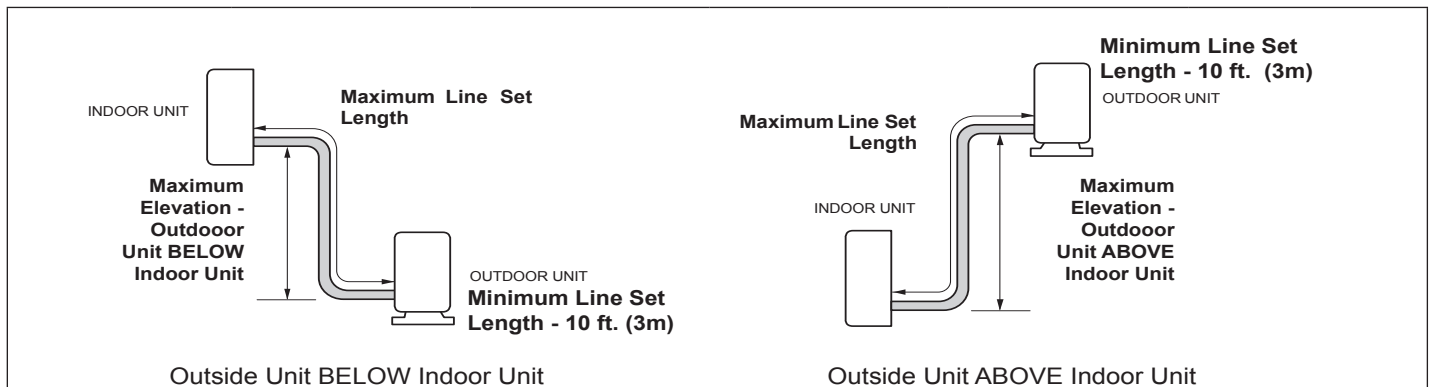


Figure 32. Tighten Flare Nut

Table 4. Flare Nut Torque Recommendations

Outside Diameter Inches	Recommended Torque	No torque wrench available Finger tighten and use an appropriately sized wrench to turn an additional:
		1/4
3/8	26 ft.-lb. (35 N)	1/2 turn
1/2	41 ft.-lb. (56 N)	7/8 turn
5/8	48 ft.-lb. (65 N)	1 full turn

Table 5. Refrigerant Line Set Requirements



IMPORTANT

Do not allow for excess length of line sets to be left rolled up as part of the required distance, or in general. This will also cause additional performance issues.

Each system size has a line set length and vertical elevation parameters.

System Size (KBtu)	Line Set Diameters (in.)		Maximum Elevation Outdoor Unit BELOW Indoor Unit - Feet (Meter)	Maximum Elevation Outdoor Unit ABOVE Indoor Unit - Feet (Meter)	Maximum Line Set Length - Feet (Meters)
	Liquid	Gas			
018	1/4	1/2	66 ft. (20 m)	66 ft. (20 m)	98 ft. (30 m)
024	3/8	5/8	82 ft. (25 m)	82 ft. (25 m)	164 ft. (50 m)
036/048	3/8	5/8	98 ft. (30 m)	98 ft. (30 m)	213 ft. (65 m)

Leak Test and Evacuation

Air and moisture remaining in the refrigerant system will have undesirable effects as indicated below:

- Pressure in the system rises
- Operating current rises
- Cooling or heating efficiency drops
- Moisture in the refrigerant circuit may freeze
- Water may lead to corrosion of parts in the refrigeration system

The line set between the indoor and outdoor units must be leak tested and evacuated to remove any non-condensables and moisture from the system.

Leak Test

Use the following procedure to test for system leaks:

1. Connect the manifold gauge set and dry nitrogen gas cylinder to the liquid and gas service ports.
2. Open valve on nitrogen cylinder.
3. Pressurize the system per the pressure test specifications in "Table 6. Pressure Test Specifications".
4. Check that the system pressure remains stable. If there is any movement check system for leaks.
5. After the system is found to be free of leaks:
 - Close valve on nitrogen cylinder
 - Relieve the nitrogen pressure by: loosening the charge hose connector at the nitrogen cylinder
 - When the system pressure is reduced to normal, disconnect the hose from the cylinder

Table 6. Pressure Test Specifications

	Bar	Psig	kPa	Duration
1	3	44	303	Minimum of 10 minutes
2	15	220	1517	Minimum of 10 minutes
3	32	470	3241	Minimum of 10 minutes
4	45	650	4482	1 hour. Stress test to prove the integrity of the complete installation.
5	32	470	3241	24 hours. Lower system pressure test, after confirmation No. 4 was successfully completed.

IMPORTANT

Use only oxygen-free nitrogen (OFN).

Triple Evacuation Procedure

A Micron or Torr gauge must be used for this procedure.

1. Discharge the oxygen-free nitrogen and evacuate the system to a reading of 8000 Microns (8 Torr) using all service valves.
2. Break the vacuum by allowing nitrogen into the port connections (liquid and gas line pipes) until a positive pressure is achieved.

3. Evacuate the system to a reading of 5000 Microns (5 Torr).
4. Break the vacuum by allowing nitrogen into the port connections (liquid and gas line pipes) until a positive pressure is achieved
5. Evacuate the system to a minimum reading of 500 Microns (0.5 Torr).
6. For a moisture-free system, ensure the vacuum is held without movement for a minimum of 4 hours.
7. If vacuum fails to hold, carry out steps 2 through 6 until vacuum holds.

Wiring Connections

! WARNING

Electric Shock Hazard. Can cause injury or death. Unit must be grounded in accordance with national and local codes.

Line voltage is present at all components when unit is not in operation. Disconnect all remote electric power supplies before opening access panel. Unit may have multiple power sources.

! CAUTION

All terminal connections must be made as illustrated in the following diagrams. Improperly connected wiring could damage unit or cause communication errors between indoor and outdoor units.

In the U.S.A., wiring must conform with current local codes and the current National Electric Code (NEC). In Canada, wiring must conform with current local codes and the current Canadian Electrical Code (CEC).

Outdoor Unit

- Refer to unit nameplate for minimum circuit ampacity and maximum over-current protection size
- Make all electrical power wiring connections at the outdoor unit
- Be sure to reattach all electrical box covers after connections are complete

Indoor Unit

- All indoor units are powered by the outdoor unit.
- Communication Wiring (Indoor Units 30K and Below): Use one stranded 4-conductor wire to provide power and communication
- Communication Wiring (Indoor Units 36K and Above): Use one stranded 3-conductor wire to provide power and one stranded 2-conductor wire to provide communication
- Use minimum of 15 GA stranded wiring
- When installing a condensate pump, wire in-line with the CN5 float switch

IMPORTANT

This unit must be properly grounded and protected by a circuit breaker. The ground wire for the unit must not be connected to a gas or water pipe, a lightning conductor or a telephone ground wire.

Do not connect power wires to the outdoor unit until all other wiring and piping connections have been completed.

Do not install the unit near a lighting appliance that includes a ballast. The ballast may affect remote control operation.

Install unit so that unit disconnect is accessible.

Use specified wiring and cable to make electrical connections. Clamp cables securely and make sure that connections are tight to avoid strain on wiring. Insecure wiring connections may result in equipment failure and risk of fire.

Wiring must be installed so that all cover plates can be securely closed.

IMPORTANT

IMPORTANT

All diagrams (Figure 35 through Figure 43) are typical wiring diagrams. Refer to the wiring diagram on the unit for actual wiring.

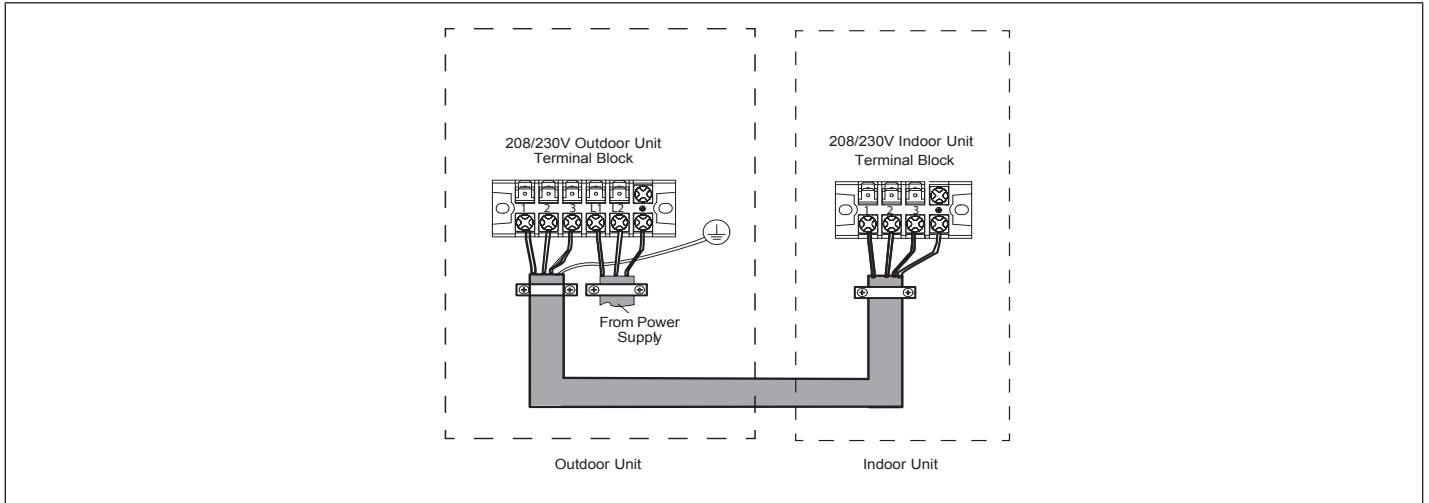


Figure 33. Single-Zone Wiring 30K and Below

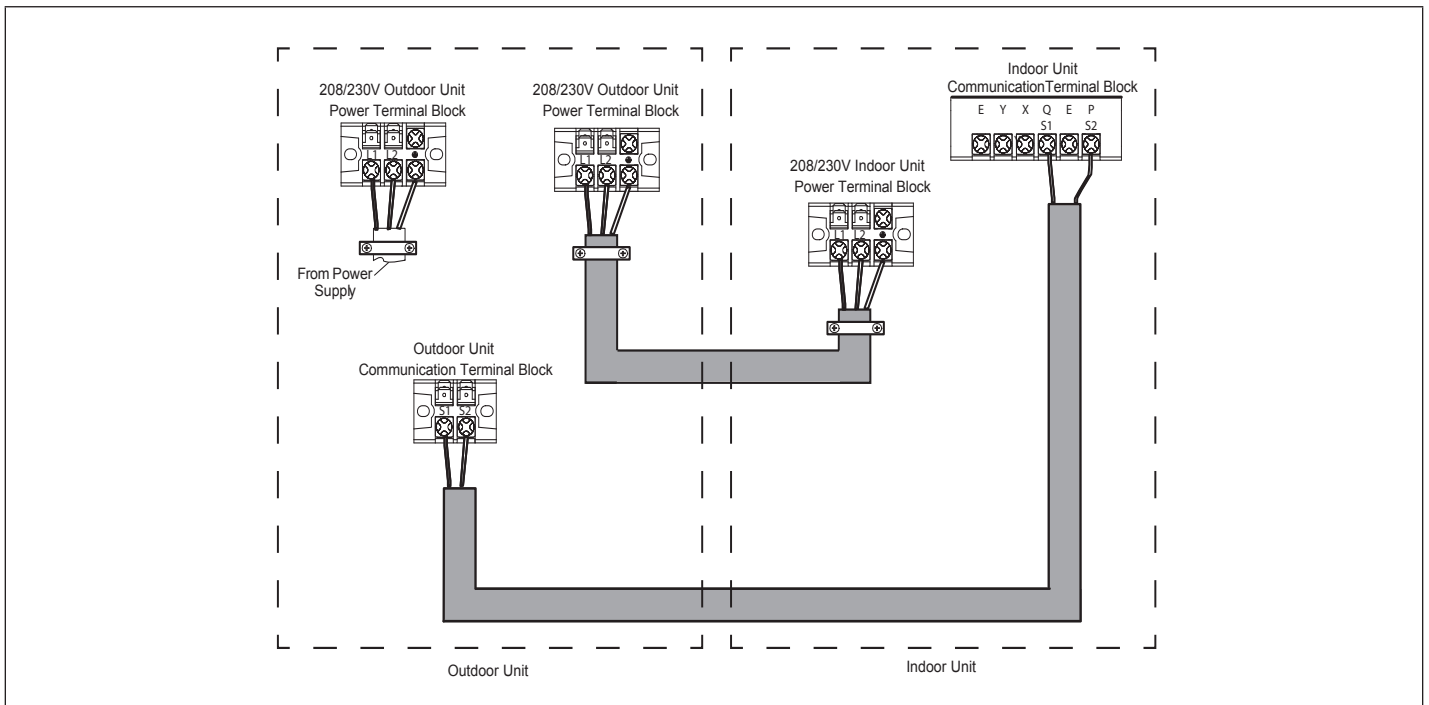


Figure 34. Single-Zone Wiring 36K and Above

Installation Wiring Requirements

Table 7. Single Zone Installation Wiring Requirements

System and Terminal Designations	System Capacity	System Voltage	Number of Conductors	Wire Type	Wire Gauge / MCA
Indoor to Outdoor Wiring (Communication/ Power) 1, 2, 3 and GND	18K	208/230VAC	4	Stranded and unshielded	16AWG
Outdoor to Main Power L1, L2 and GND	18K	208/230VAC	3	Stranded and unshielded	16AWG / 17A
Indoor to Outdoor Wiring (Communication/ Power) 1, 2, 3 and GND	24K	208/230VAC	4	Stranded and unshielded	16AWG
Outdoor to Main Power L1, L2 and GND	24K	208/230VAC	3	Stranded and unshielded	16AWG / 22A
Indoor to Outdoor Wiring (Power only) L1, L2 and GND	36K	208/230VAC	3	Stranded and unshielded	16AWG
Indoor to Outdoor Wiring (Communication only) (S1, S2 and GND)	36K	208/230VAC	3	Stranded and shielded	24AWG
Outdoor to Main Power L1, L2 and GND	36K	208/230VAC	3	Stranded and unshielded	10AWG / 30A
Indoor to Outdoor Wiring (Power only) L1, L2 and GND	48K	208/230VAC	3	Stranded and unshielded	16AWG
Indoor to Outdoor Wiring (Communication only) (S1, S2 and GND)	48K	208/230VAC	3	Stranded and shielded	24AWG
Outdoor to Main Power L1, L2 and GND	48K	208/230VAC	3	Stranded and unshielded	6AWG / 50A
MCA = Minimum Circuit Amps					

Control Board Wiring Connections

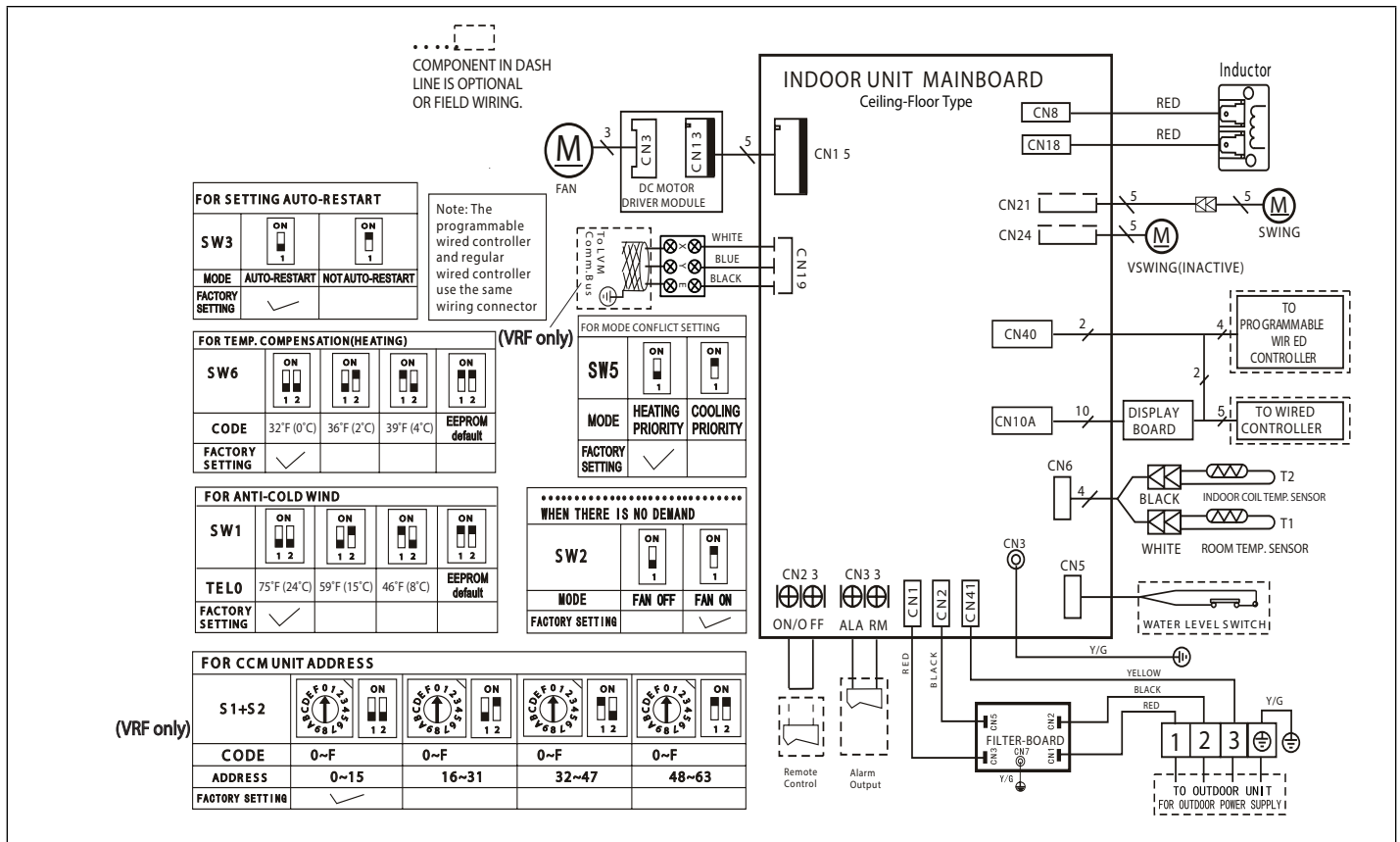


Figure 35. MCFB018S4-*P Unit Wiring Diagram

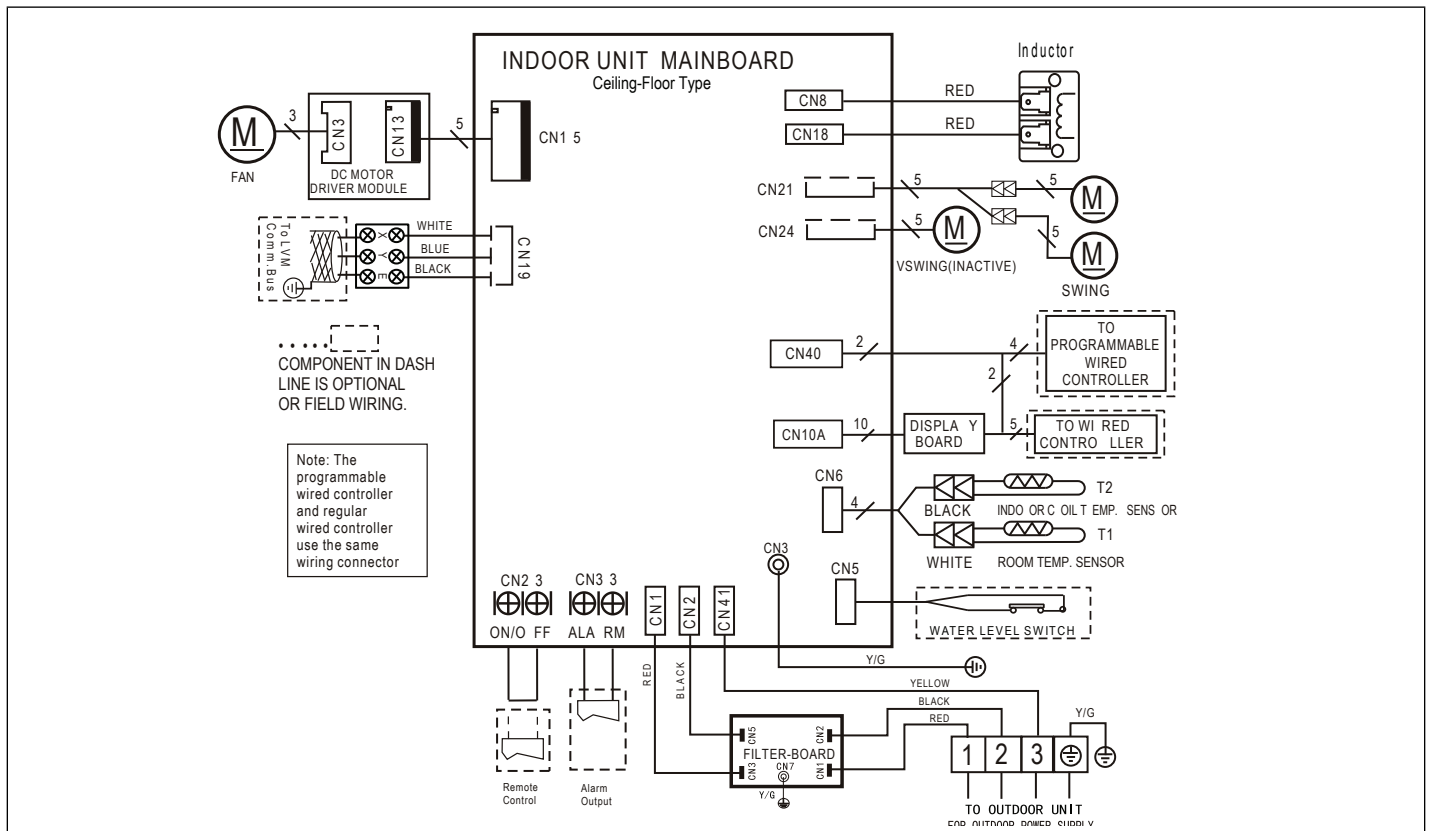


Figure 36. MCFA024S4-*P Unit Wiring Diagram

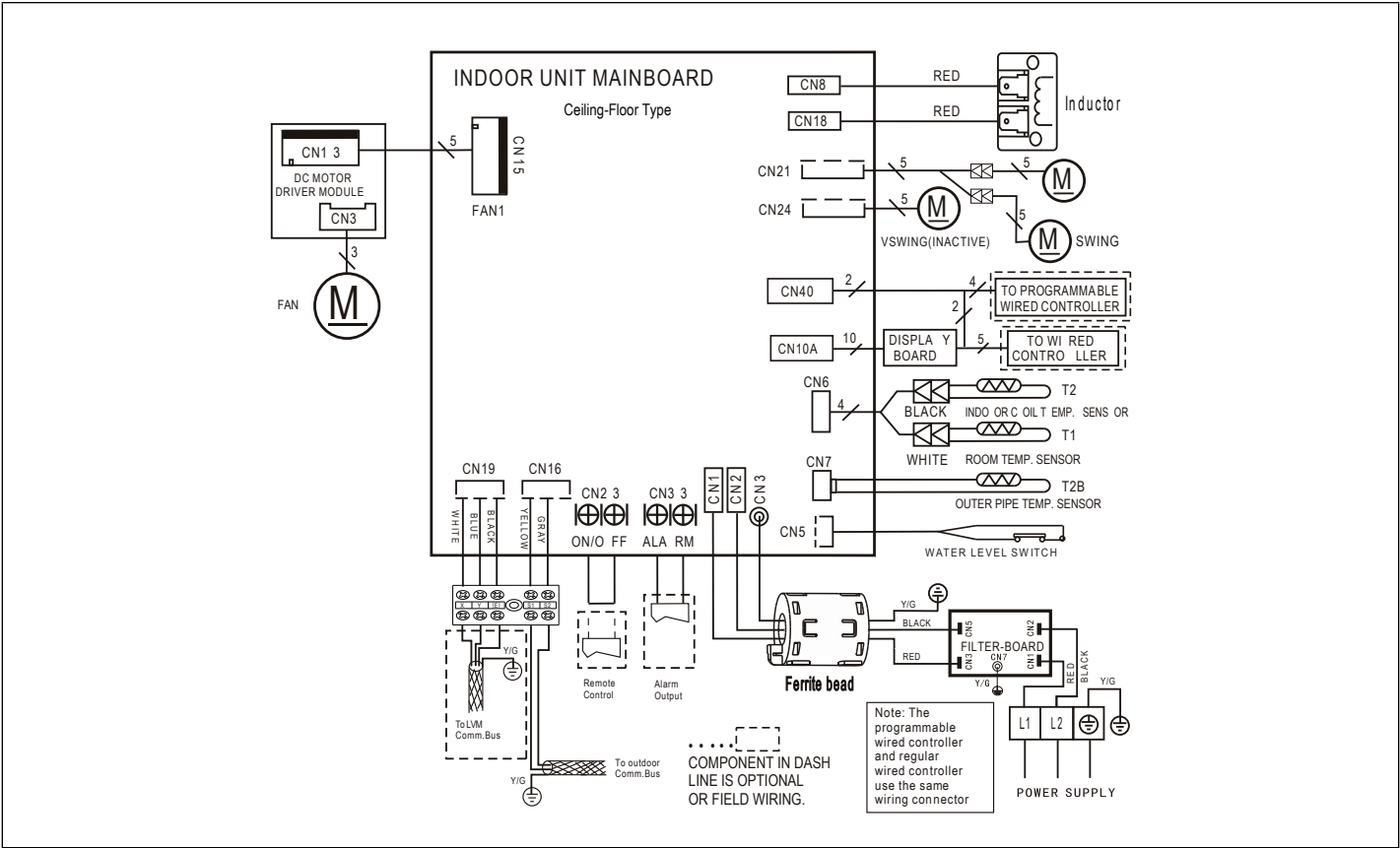


Figure 37. MCFA036S4-*P Unit Wiring Diagram

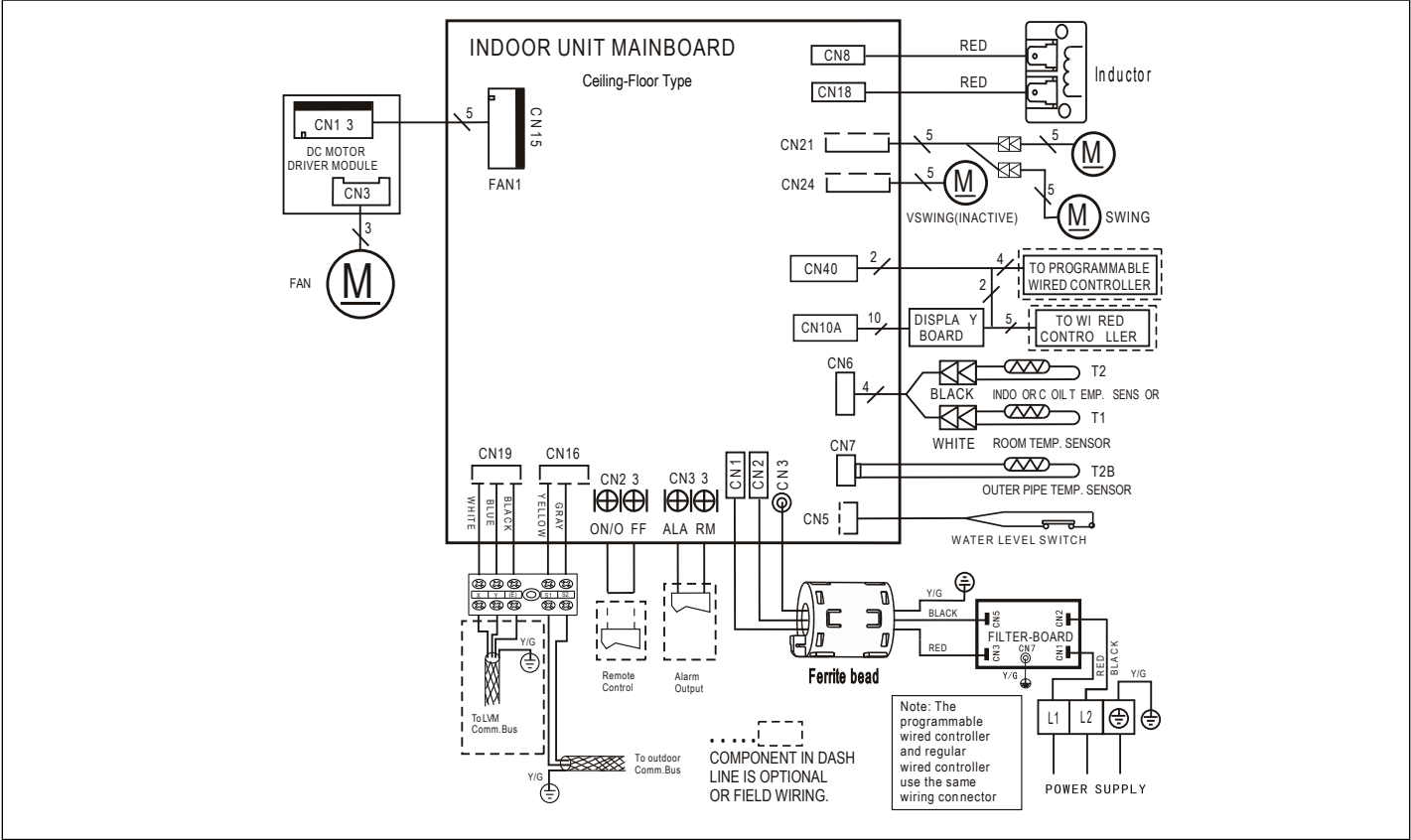


Figure 38. MCFA048S4-*P Unit Wiring Diagram

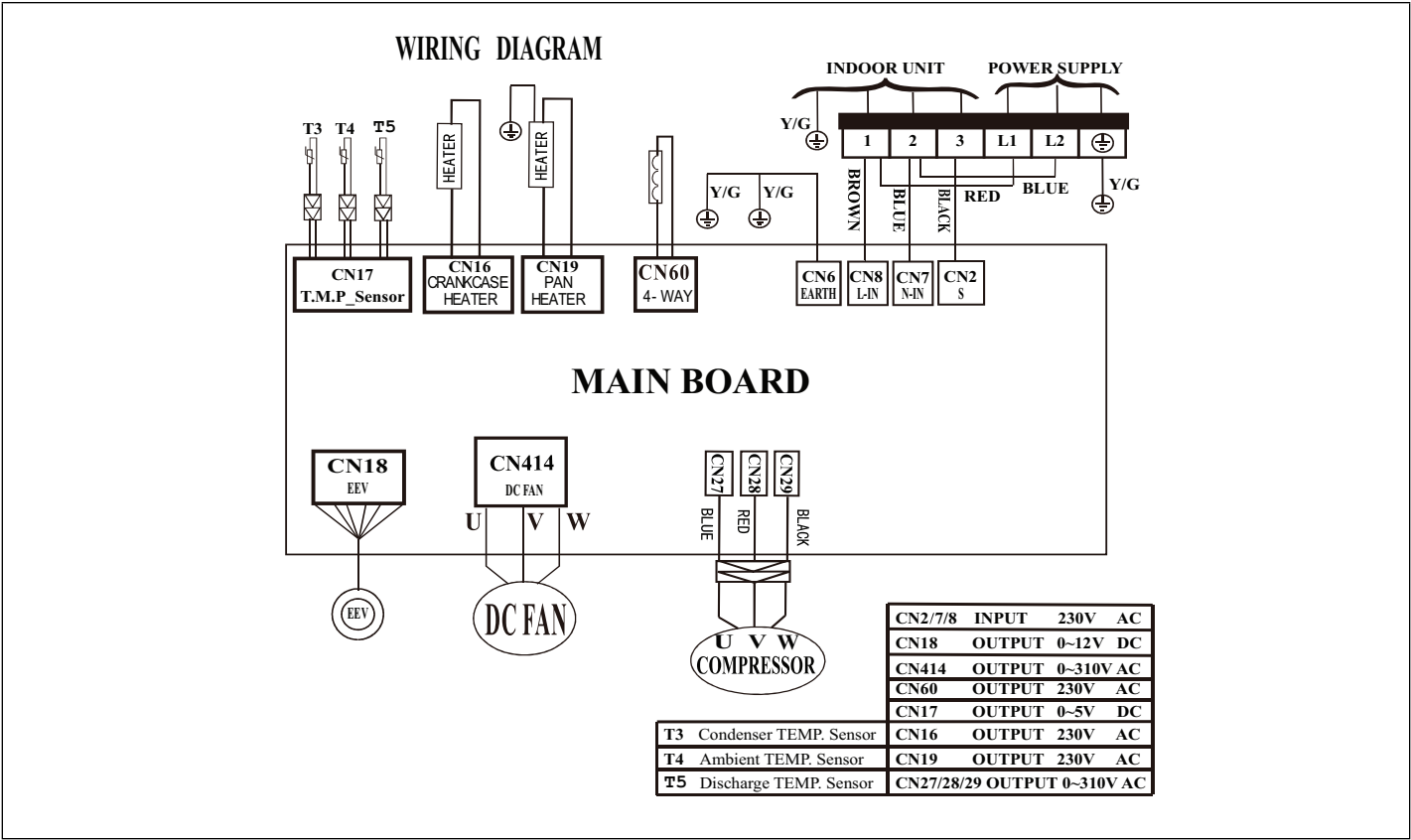


Figure 39. 208/230V MPC018S4S-*P Outdoor Unit Wiring Diagram

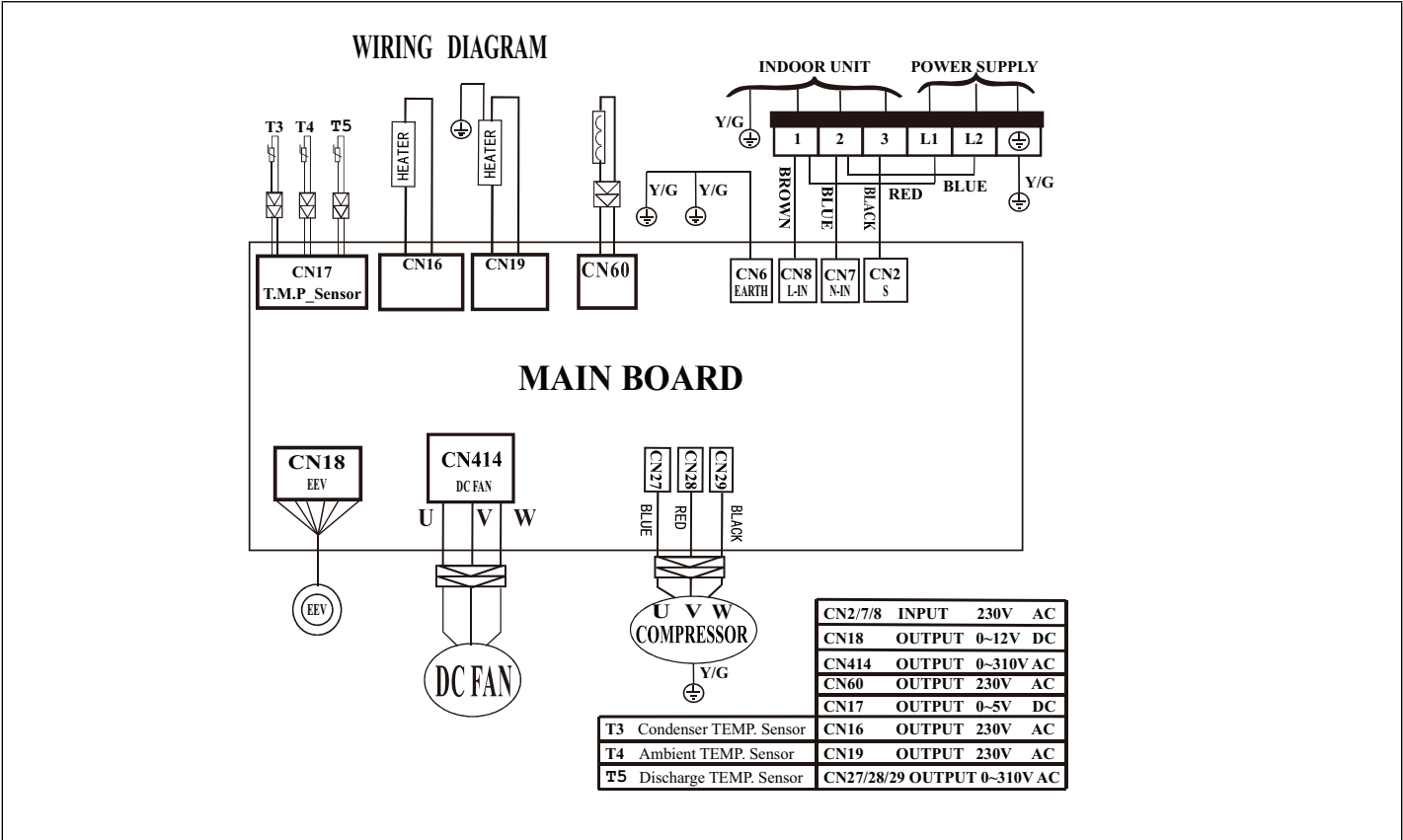


Figure 40. 208/230V MPC024S4S-*P Outdoor Unit Wiring Diagram

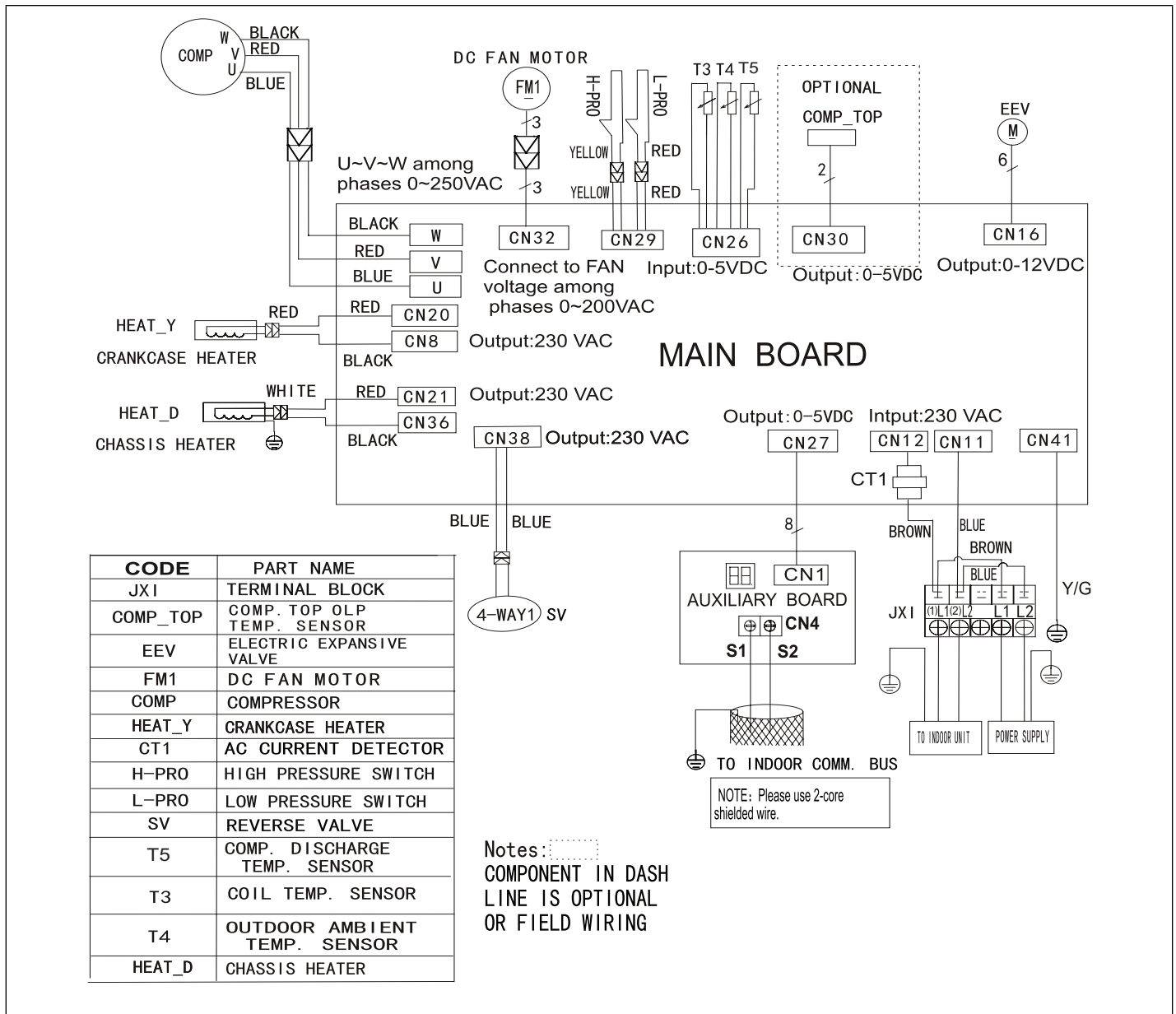


Figure 41. 208/230V MPC036S4S-*P Outdoor Unit Wiring Diagram

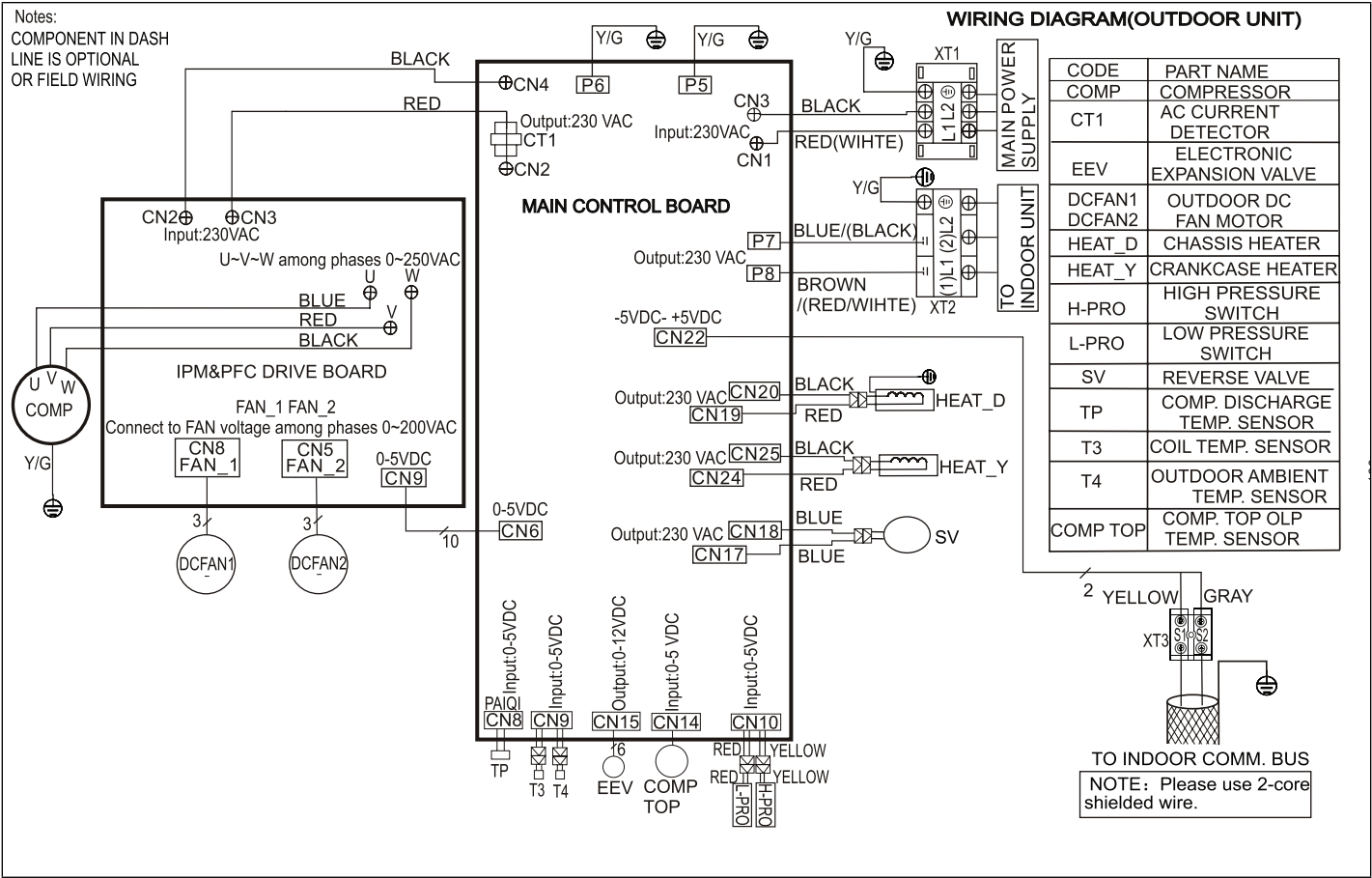


Figure 42. 208/230V MPC048S4S-*P Outdoor Unit Wiring Diagram

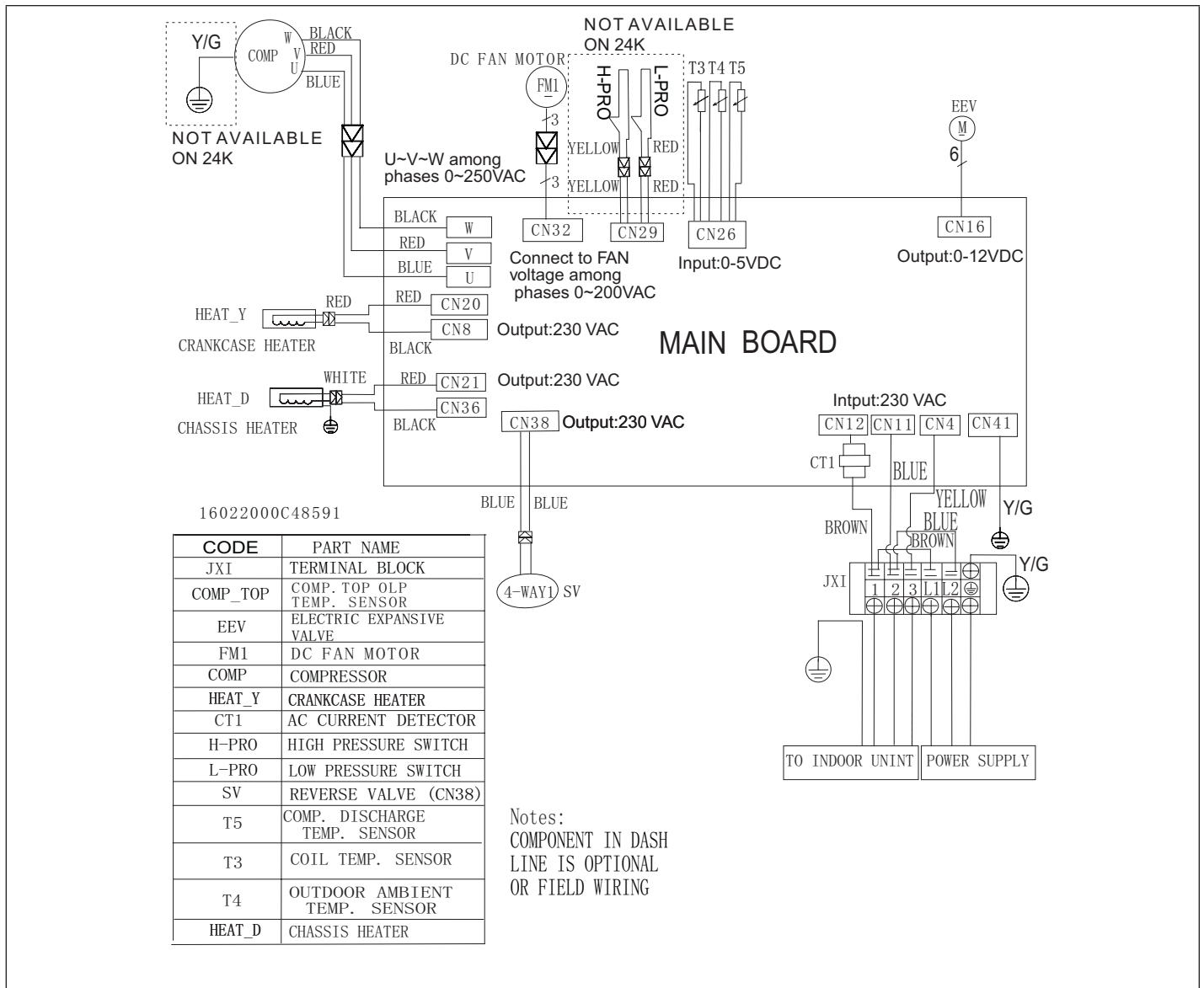


Figure 43. 208/230V MLB024S4S-*P Outdoor Unit Wiring Diagram

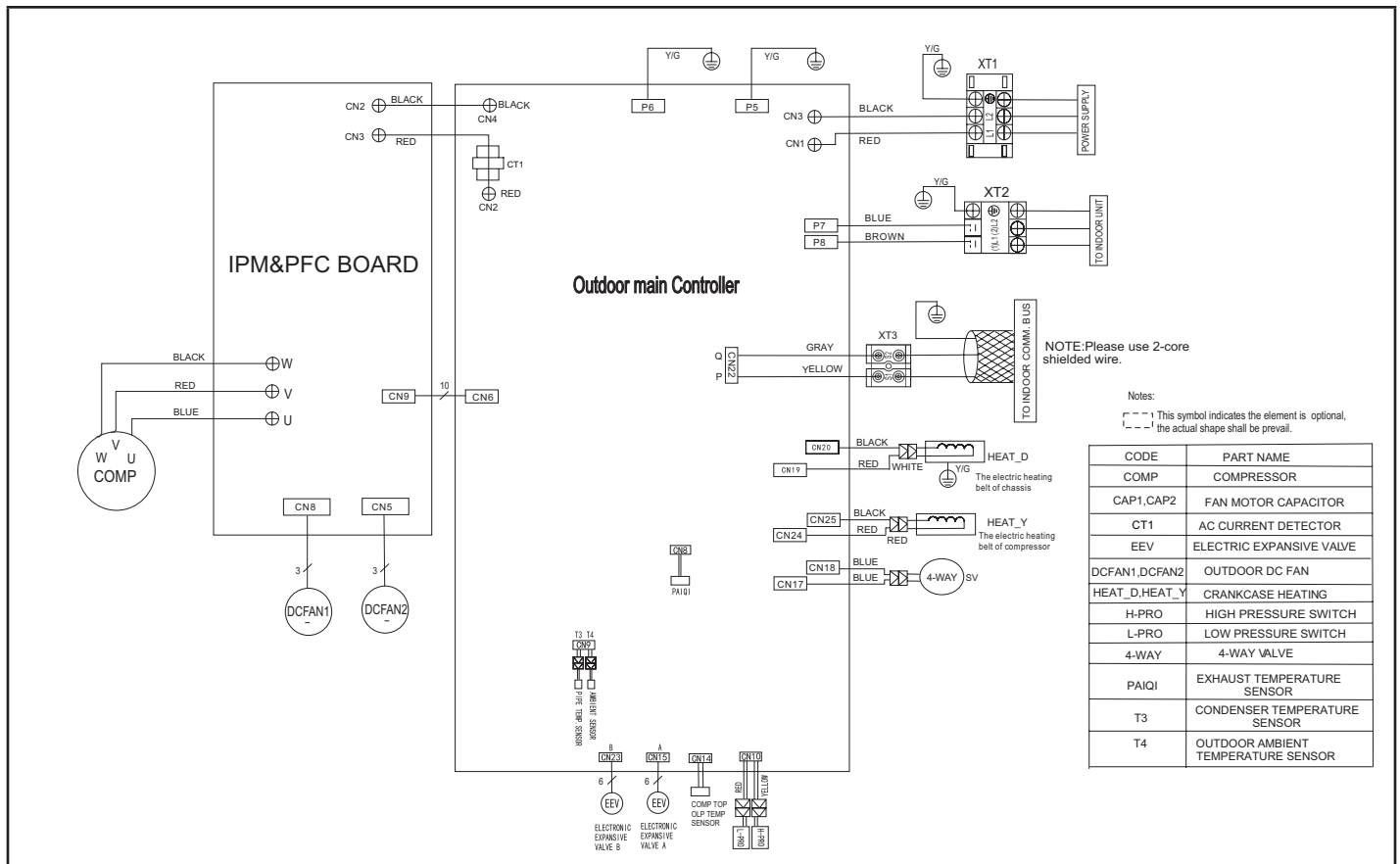


Figure 44. 208/230V MLB036S4S-*P and MLB048S4S-*P Outdoor Unit Wiring Diagram

Unit Start-Up

IMPORTANT

Units should be energized 24 hours before unit start-up to prevent compressor damage as a result of slugging.

1. Inspect all factory- and field-installed wiring for loose connections.
2. Verify that the manifold gauge set is connected.
3. Add additional refrigerant charge if required before opening valves and while system is still under a vacuum.
4. Open the liquid and gas line service valves to release the refrigerant charge contained in outdoor unit into the system.
5. Replace the stem caps and tighten to the value listed in "Table 4. Flare Nut Torque Recommendations" on page 16.
6. Check voltage supply at the outdoor unit terminal strip. The voltage must be within the range listed on the unit's nameplate. If not, do not start the equipment until you have consulted with the power company and the voltage condition has been corrected.
7. Refer to the included user guide to operate the system using the provided remote control.

8. Visually check for binding of both indoor and outdoor fans.

Adding Refrigerant for Longer Line Set

The outdoor unit is factory-charged with refrigerant. Calculate the additional refrigerant required according to the diameter and the length of the liquid pipe between the outdoor unit and indoor unit connections.

Be sure to add the proper amount of additional refrigerant. Failure to do so may result in reduced performance.

Table 8. Additional Refrigerant Charge

System Size (KBtu)	Pipe Length (feet / meters)	Amount of Refrigerant to add
18	>25 (7.5)	0.161 oz/ft (15g/m)
24	>25 (7.5)	0.322 oz/ft (30g/m)
36	>25 (7.5)	0.322 oz/ft (30g/m)
48	>25 (7.5)	0.322 oz/ft (30g/m)

Troubleshooting

Indoor Unit Error Codes

Table 9. Indoor Unit Troubleshooting Codes

Display	Description
E0	Indoor unit EEPROM error
E1	Communication error between indoor and outdoor units
E3	Indoor fan speed error
E4	Indoor return air temperature sensor error
E5	Indoor coil temperature sensor error
E7	Low refrigerant
EE	High water level alarm (for ducted units only)
F0	Outdoor current overload sensed
F1	Outdoor ambient temperature sensor error (T4 malfunction)
F2	Outdoor coil temperature sensor error (T3) Malfunction
F3	Compressor discharge temperature sensor error (T5) Malfunction
F4	Outdoor unit EEPROM error
F5	Outdoor unit fan speed error
F6	Indoor coil outlet temperature sensor error (T2B)
P0	Inverter module IPM error
P1	High or low voltage protection
P2	High temperature sensed at compressor top
P3	Outdoor low ambient temperature protection
P4	Compressor drive error
P5	High or low pressure switch open
P7	Outdoor IGBT temperature sensor error

Outdoor Unit Error Codes

The error code display is located on the main controller board of the MPC036, MPC048, MLB036 and MLB048 models only.

Table 10. MLB and MPC Single-Zone Outdoor Unit Error Codes

Display	Malfunction and Protection Indication
EL01	Communication malfunction between indoor and outdoor units.
FL14	Capability mismatch between indoor unit and outdoor unit
EC50	Outdoor temperature sensor error.
EC51	Outdoor EEPROM error.
EC52	Condenser coil temperature sensor (T3) malfunction.
EC53	Outdoor ambient temperature sensor (T4) malfunction.
EC54	Compressor discharge temperature sensor TP is in open circuit or has short circuited

Table 10. MLB and MPC Single-Zone Outdoor Unit Error Codes

Display	Malfunction and Protection Indication
EC55	Outdoor IPM module temperature sensor malfunction
EC56	Outdoor T2B sensor error.
EC57	Refrigerant pipe temperature sensor error.
EC07	Outdoor DC fan motor malfunction/fan speed out of control.
EC71	Over current failure of outdoor DC fan motor.
EC72	Lack phase failure of outdoor DC fan motor.
PC00	Inverter module (IPM) protection.
PC02	Top temperature protection of compressor.
PC06	Discharge temperature protection of compressor.
PC08	Outdoor over-current protection.
PC0A	High temperature protection of condenser.
PC0F	PFC module protection.
PC0L	Low temperature protection of outdoor unit.
PC10	Outdoor unit low AC voltage protection.
PC11	Outdoor unit main control board DC bus high voltage protection.
PC12	Outdoor unit main control board DC bus high voltage protection / 341 Machine Check Error (MCE) error.
PC30	System high pressure protection
PC31	System low pressure protection
PC40	Communication error between outdoor main chip and compressor driven chip
PC42	Compressor start failure of outdoor unit
PC43	Outdoor compressor lack phase protection
PC44	Outdoor unit zero speed protection
PC45	Outdoor unit IR chip drive failure
PC46	Compressor speed has been out of control
PC49	Compressor over-current failure
PCA1	Condensation protection of refrigerant pipe

Table 10. MLB and MPC Single-Zone Outdoor Unit Error Codes

Display	Malfunction and Protection Indication
PH90	High temperature protection of Evaporator
PH91	Low temperature protection of Evaporator
LC06	High temperature protection of Inverter module (IPM)

Self Clean Feature

For units that use the provided wireless remote control, there is a button labeled “self clean”. Press to activate self cleaning mode. In cooling or dry mode only, the indoor unit will temporarily change operation to allow condensate on the indoor unit coil to evaporate, and then will turn off. During this operation, code **SC** will display on the indoor unit.

The sequence of operation for the self-clean function is illustrated below.

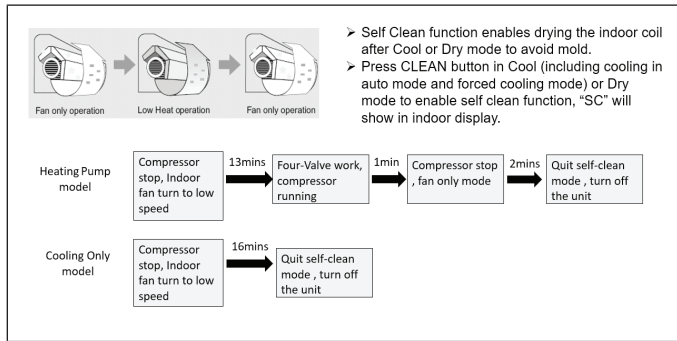


Figure 45. Self Clean

Test Run

Pre-Checks

Only perform test run after you have completed the following steps:

- Electrical Safety Checks – Confirm that the unit’s electrical system is safe and operating properly
- Refrigerant Leak Checks – Check all flare nut connections and confirm that the system is not leaking
- Confirm that liquid and gas valves are fully open

Procedure

You should perform the Test Run for at least 30 minutes.

1. Connect power to the unit.
2. Press the ON/OFF button on the remote controller to turn it on.
3. Press the mode button to scroll through the following functions, one at a time:
 - COOL - Select lowest possible temperature
 - HEAT - Select highest possible temperature

4. Let each function run for 5 minutes, and perform the following checks:

Table 8. Test Run Checklist

Checks	Pass	Fail
No electrical leakage		
Unit is properly grounded		
All electrical terminals properly covered		
Indoor and outdoor units are solidly installed		
All pipe connection points do not leak	Outdoor (2):	Indoor (2):
Water drains properly from drain hose		
All piping is properly insulated		
Unit performs COOL function properly		
Unit performs HEAT function properly		
Indoor unit louvers rotate properly		
Indoor unit responds to remote controller		

Dry Mode Operation (Dehumidification)

Procedure

1. Using the provided wired remote control, press the **MODE** button and select **DRY** mode.
2. Press the **UP/ DOWN** button to select the desired temperature. The temperature setting range is from 62°F (17°C) to 86°F (30°C) in one degree increments.

NOTE: The blower is preset at a low speed and cannot be changed therefore it will get cold and most likely will surpass the temperature setting and will run down to 50°F (10°C) room temperature depending on the room size or other various factors. Also the **Follow Me** mode does not operate in this mode.

NOTE: In addition, the indoor units do not have a humidistat installed therefore they are unable to determine humidity levels. This product is not recommend as a main source for dehumidification.

Sequence of Operation

When in dry mode operation the unit is actually in cooling mode with a low speed blower operation. Set remote temp to a lower room temp to begin the dry mode operation. The compressor will stop when the room temperature is 50°F (10°C) lower than the temperature setting.

System will not resume unit until room temperature rises above 53.6°F (12°C).