

# GAS UNITS KITS & ACCESSORIES

507695-01

09/2019

Supersedes 01/ 2018

## EXHAUST MUFFLER

### Installation Instructions for Two Inch Exhaust Muffler For 90% Efficiency Gas Furnaces

#### **⚠ WARNING**

Improper installation, adjustment, alteration, service or maintenance can cause property damage, personal injury or loss of life. Installation and service must be performed by a licensed professional HVAC installer (or equivalent), service agency or the gas supplier.

#### Shipping and Packing List

Package 1 of 1 contains:

1 - 2" Exhaust Muffler

#### Application

This muffler has been approved for all -030 through -090 model units with minimum and maximum pipe and -100 and -110 model units with minimum pipe or up to 29 feet only. This is the only 2" muffler approved by Lennox. Muffler MUST NOT be installed in areas subjected to temperatures below freezing without use of heat tape or insulation.

#### **⚠ IMPORTANT**

Disconnect power before servicing unit. Shut off main gas supplies to appliance until installation is complete.

#### Requirements

##### Materials

- 1 - 2" schedule 40 PVC (type 1120 or 1220) pipe and (PVC1 or PVC12) fittings for intake and exhaust piping (not provided, see furnace installation instruction) per ASTM D1785, D2466 and D2665.
- 2 - PVC primer per ASTM D2564 (not provided, see furnace installation instruction)
- 3 - PVC solvent cement per ASTM D2564 (not provided, see furnace installation instruction). Use certified PVC piping and fittings. Primer and solvent cement and procedures for cementing joints should be in accordance with current industry practices and standards.

#### Installation

Exhaust piping muffler should be located at a minimum of 12" from the unit or at a minimum of 2 feet of exhaust termination.

- 1 - Muffler is to be installed in flue only. It is not needed on inlet piping.
- 2 - Install and cement the muffler. Refer to figure 1.
- 3 - Cement exhaust line piping to end of muffler and route to outside per unit installation instructions. **CAUTION- All joints must be gas tight. Exhaust vent pipe operates under positive pressure and must be completely sealed to prevent leakage of combustion products into living space. Muffler should be at least 12" from any elbows and furnace with 2" PVC vent.**
- 4 - Exhaust piping must be properly supported.

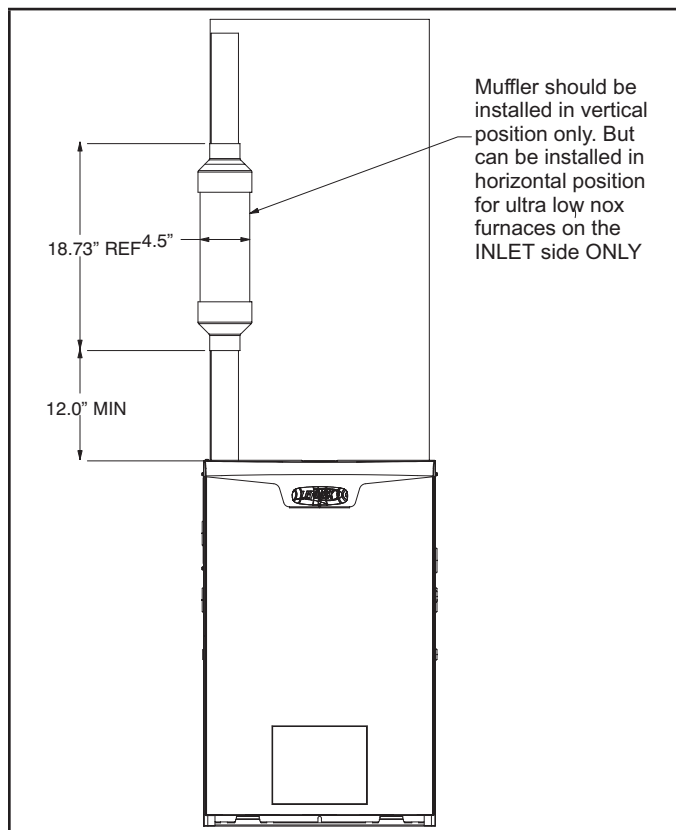


FIGURE 1