

PACKAGED UNITS KITS
AND ACCESSORIES

507699-01
5/2017

DISCHARGE PLUMBING
REPLACEMENT KIT

INSTALLATION INSTRUCTIONS FOR PLUMBING REPLACEMENT KIT
(16A79; 617220-01) USED WITH LGH/LCH/KG/KC/KH 024-090 UNITS

Shipping and Packing List

Package 1 of 1 contains:

- 1- Copper elbow
- 1- Copper piping with loops
- 1- Copper piping with 45 degree turn
- 1- U-shaped copper pipe
- 1- Bag assembly containing:
 - 2-Valves (pressure taps)
 - 2-Cores
 - 2-Caps

Application

This kit is used when replacing the discharge line in LGH/LCH/KG/KC/KH 024-090 units.

IMPORTANT - Not all kit parts are installed in every unit; refer to figures for appropriate parts.

Installation

- 1- Disconnect all power to unit.
- 2- Using approved methods, recover all refrigerant from system.
- 3- Unsweat and/or cut discharge line as shown in appropriate figure in table 1.
- 4- Install the pressure taps in the elbow provided in kit.
- 5- Install pressure tap cores.
- 6- Replace the liquid line filter drier.
- 7- After plumbing fits in place, braze all joints.
- 8- Properly evacuate the system.
- 9- Recharge the system using nameplate amount of refrigerant and install pressure tap caps.

TABLE 1

Unit	Figure
All-Aluminum OD Coil / Non-Reheat / Non-Heat Pump	1
Fin-Tube OD Coil / Non-Reheat / Non-Heat Pump	2
Heat Pump and Reheat	3

⚠️ IMPORTANT

Crankcase heater should be energized 24 hours before unit start-up to prevent compressor damage as a result of slugging.

⚠️ WARNING

Improper installation, adjustment, alteration, service or maintenance can cause property damage, personal injury or loss of life. Installation and service must be performed by a licensed professional HVAC installer or equivalent, service agency, or the gas supplier

⚠️ CAUTION

As with any mechanical equipment, contact with sharp sheet metal edges can result in personal injury. Take care while handling this equipment and wear gloves and protective clothing.

⚠️ IMPORTANT

The Clean Air Act of 1990 bans the intentional venting of refrigerant (CFC's and HCFC's) as of July 1, 1992. Approved methods of recovery, recycling or reclaiming must be followed. Fines and/or incarceration may be levied for non-compliance.

⚠️ WARNING



Danger of explosion. Can cause injury, death or equipment damage.

Do not use oxygen to pressurize the refrigerant system. Oxygen and oil can combine to cause an explosion.

⚠️ CAUTION

Danger of equipment damage.

Avoid deep vacuum operation. Do not use compressors to evacuate a system. Extremely low vacuums can cause internal arcing and compressor failure.

Damage caused by deep vacuum operation will void the warranty.

⚠️ CAUTION

Danger of equipment damage.

Be sure to attach vacuum pump to BOTH discharge and suction lines. Failure to do so may result in an incomplete vacuum and compressor damage.



**REMOVE AND FIT-UP PLUMBING
ALL-ALUMINUM OD COIL - NON-REHEAT - NON-HEAT PUMP**

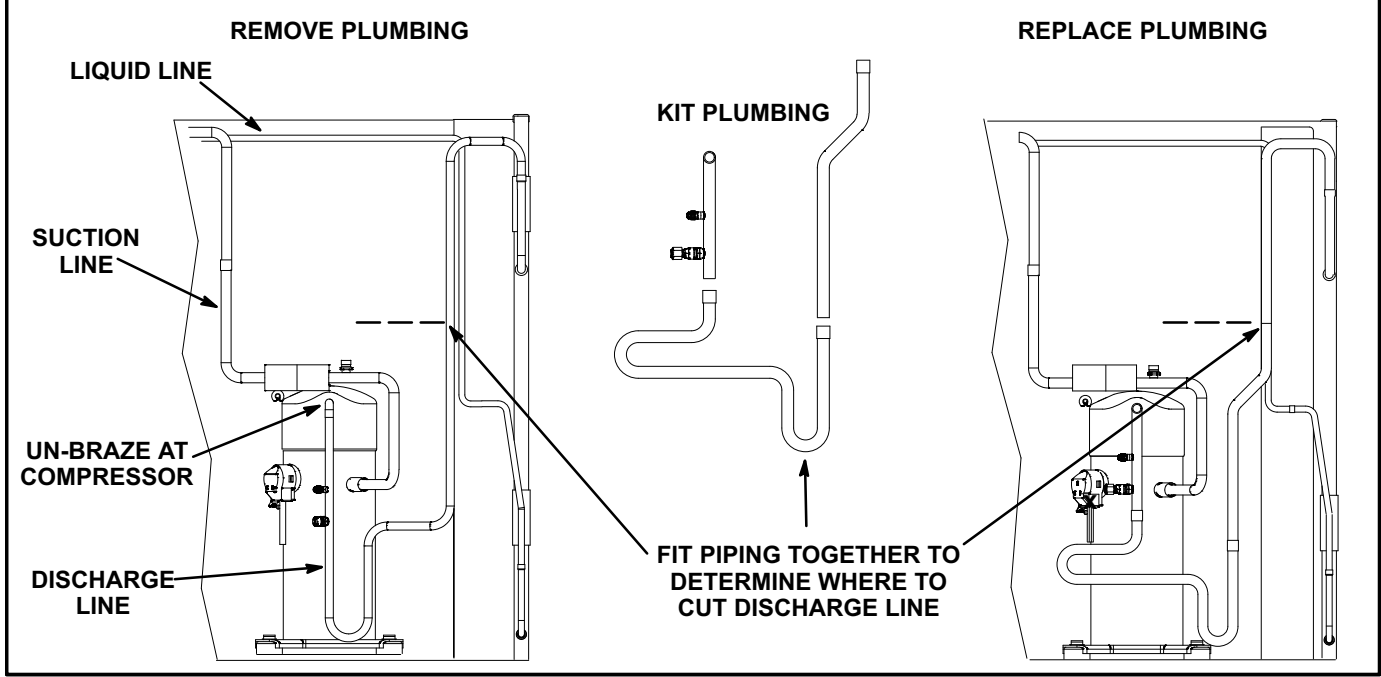


FIGURE 1

**REMOVE AND FIT-UP PLUMBING
FIN/TUBE OD COIL - NON-REHEAT - NON-HEAT PUMP**

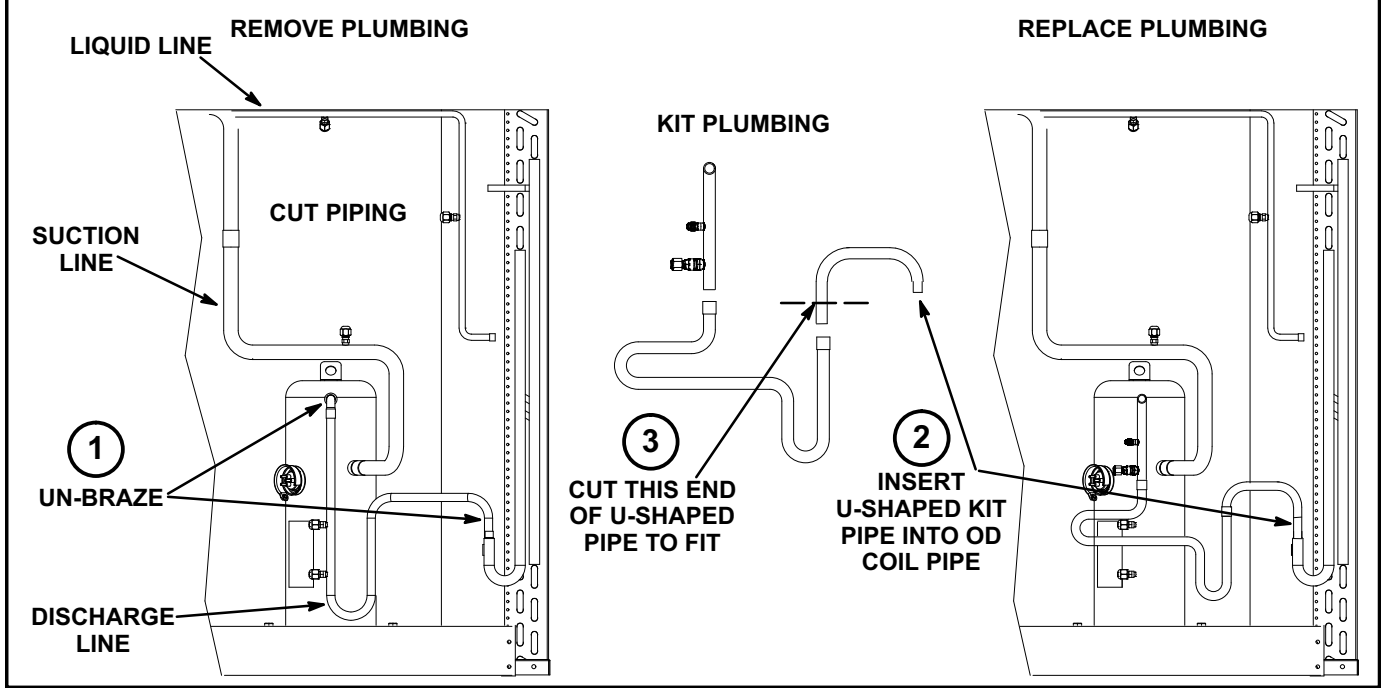


FIGURE 2

REMOVE AND REPLACE DISCHARGE ELBOW - REHEAT AND HEAT PUMP UNITS

REMOVE PLUMBING

REPLACE PLUMBING

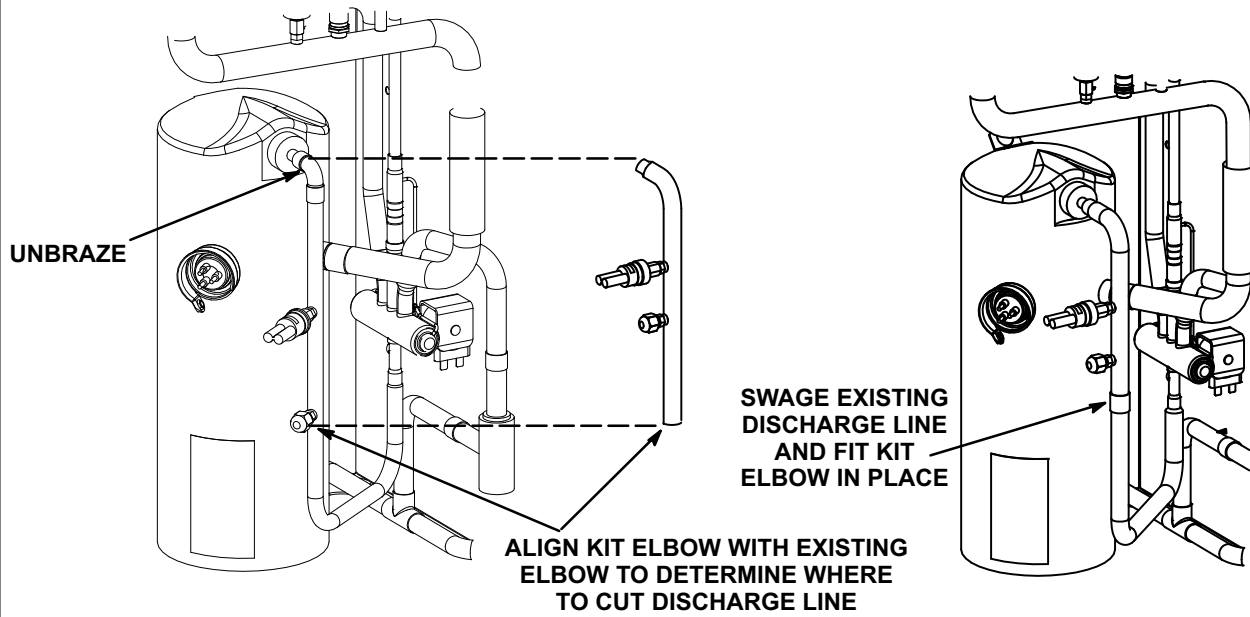


FIGURE 3