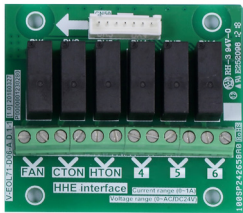




©2020 Lennox Industries Inc. Dallas, Texas, USA



INSTALLATION/ OPERATION INSTRUCTIONS

HHE Relay Kit V0CTRL92P-3

VRF SYSTEMS -- HHE Relay Kit
507903-02
01/2020

**THIS MANUAL MUST BE LEFT
WITH THE OWNER FOR
FUTURE REFERENCE**

⚠WARNING

Improper installation, adjustment, alteration, service or maintenance can cause property damage, personal injury or loss of life. Installation and service must be performed by a licensed professional HVAC installer (or equivalent) or service agency.
Be sure that power supply has been turned off before beginning installation.
Do not operate equipment with wet hands.

⚠WARNING

Do not install equipment in areas where heavy oil, vapor, or gases containing sulfur may exist or it may be damaged.

IMPORTANT!

These instructions are intended as a general guide and do not supersede local codes in any way. Consult authorities having jurisdiction before installation. Read all of the information in this manual before operating this equipment.

Shipping and Packing List

Package 1 of 1 contains:

- 1 - HHE relay kit assembly includes:
 - 1 - Six-Dry Contact board
 - 4 - Insulated PCB mounts
 - 1 - Cover
 - 1 - Mounting bracket
 - 2 - 6.5 mm Tapping screw
- 1 - 6 ft. 6 in. Extension harness
- 1 - 7-7/8 in. Wiring harness
- 4 - Plastic wall anchors
- 4 - 25 mm Tapping screw
- 1 - Installation manual

General

The V0CTRL92P-3 (17U44) dry contact connections are used to provide a signal to up to six devices. Use these instructions for connecting a device to the six-dry contact board.



Figure 1. Kit Contents

Installation

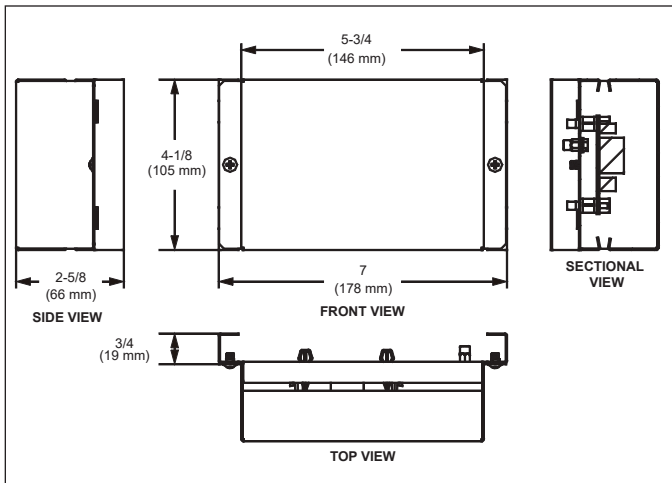


Figure 2. Dimensions

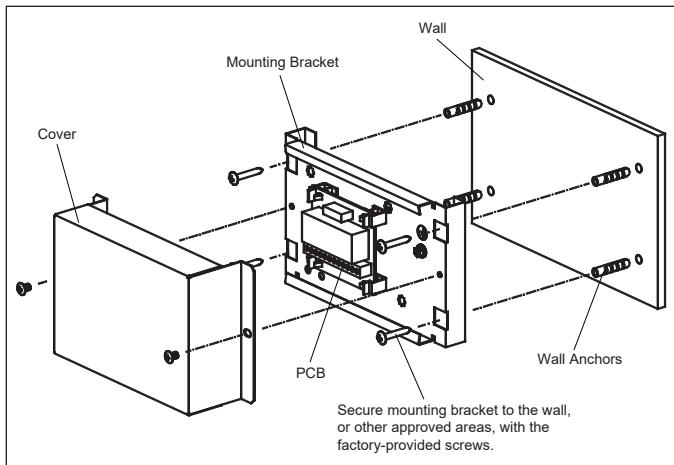


Figure 3. Installation

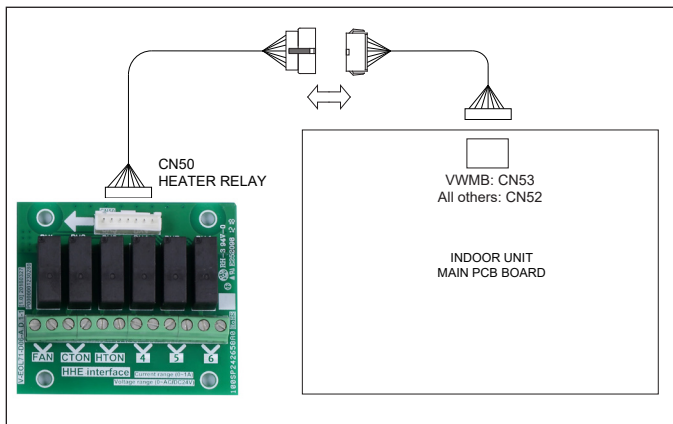


Figure 4. Principle Electrical Diagram of HHE Relay

1. Turn off power to the unit.
2. Remove indoor electrical box cover and install wiring harness/communication cable to the designated indoor PCB port.
3. Re-install electrical box cover

Dry Contact Connections

1. Turn off power to the unit.
2. Access the indoor unit electrical control box and remove the phillips-head screws securing the cover.
3. Make appropriate field connections. See Table 1 and Figure 5.
4. Use phillips-head screws to secure indoor unit electrical control box cover and close any indoor unit panels.
5. Restore power to the unit.

Table 1. Dry Contact Specifications

Max Amps	1A
Max Voltage	24V

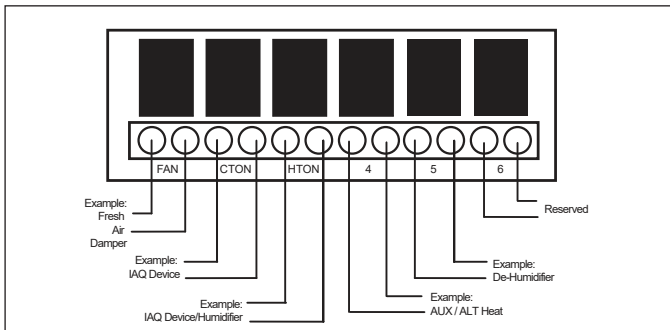


Figure 5. Dry Contact Connection

Technical Support

1-844-GET-VRF1

(1-844-438-8731)

vrftechsupport@lennoxind.com

www.LennoxVRF.com

Download the app
from the Apple App Store or the Google Play store.

