



VRF

©2018 Lennox Industries Inc. Dallas, Texas, USA

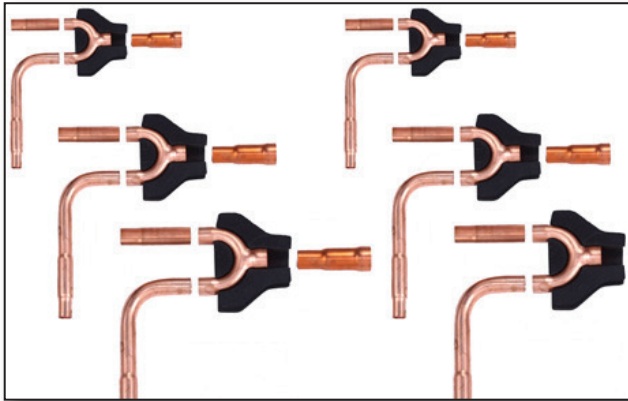
INSTALLATION INSTRUCTIONS

VRB & VPB Outdoor Unit Branch Pipe Kit

VRF SYSTEMS -- BRANCH PIPE KITS
507929-01
01/2019

THIS MANUAL MUST BE LEFT WITH THE OWNER FOR FUTURE REFERENCE

These instructions are intended as a general guide and do not supersede local codes in any way. Consult authorities having jurisdiction before installation.



Shipping and Packing List

Package 1 of 1 contains: kit contents vary. See table on page 3 for each kit's contents.

Application

Use with two- or three-module VRB Heat Recovery or VPB Heat Pump combinations.

The refrigerant piping branch kit is used to combine two or three outdoor units to create a larger capacity system.

Model No.	Cat No.	Usage
V8ODBP02HR-03	17U33	For two-module VRB Heat Recovery combinations
V8ODBP03HR-03	17U34	For three-module VRB Heat Recovery combinations
V8ODBP02HP-03	17U35	For two-module VPB Heat Pump Outdoor Unit combinations
V8ODBP03HP-03	17U36	For three-module VPB Heat Pump Outdoor Unit combinations

Installation

Outdoor unit branch kits **MUST** be installed horizontally +/- 10°.

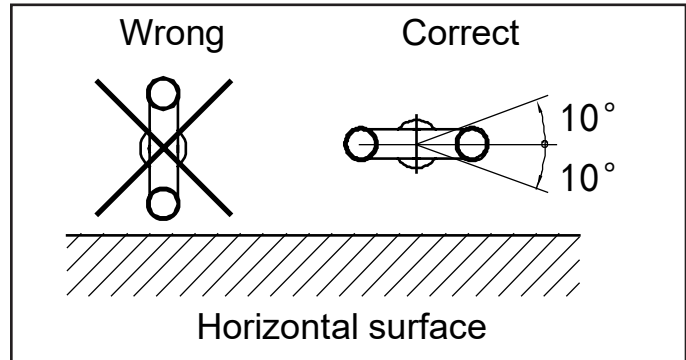


Figure 1. Horizontal Installation

Outdoor unit branch kits **CANNOT** be installed vertically.

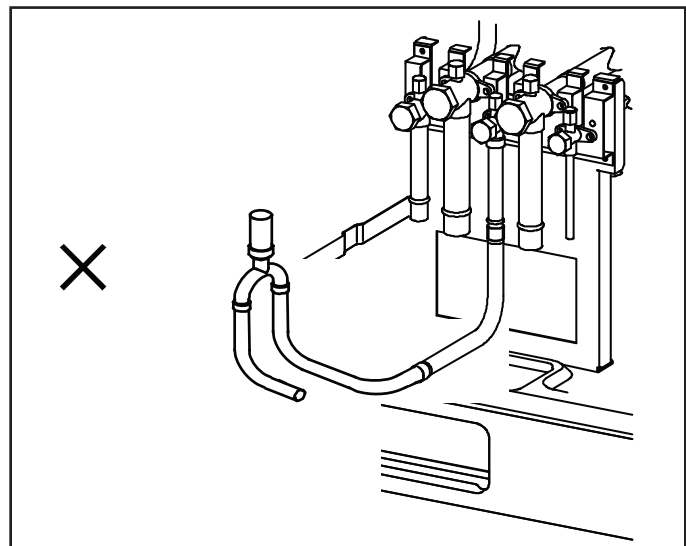


Figure 2. NO Vertical Installation

Outdoor unit branch kits MUST be installed so that they do not obstruct the outdoor unit access panels.

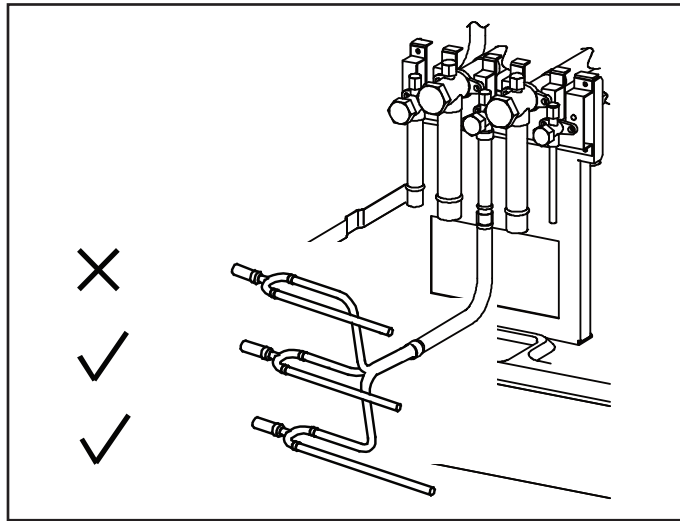


Figure 3. Do Not Obstruct Access Panels

Outdoor unit branch kits have graduated piping diameters.

- The piping can be cut to suit the installation needs. See figure 4.
- Use a pipe cutter designed for refrigeration tubing to cut pipe.
- Discard unused pipe.
- Refer to the Lennox VRF Selection Software (LVSS) pipe sizing diagram to obtain the correct inlet and outlet sizes for the installation.
- Keep all components sealed until brazing.

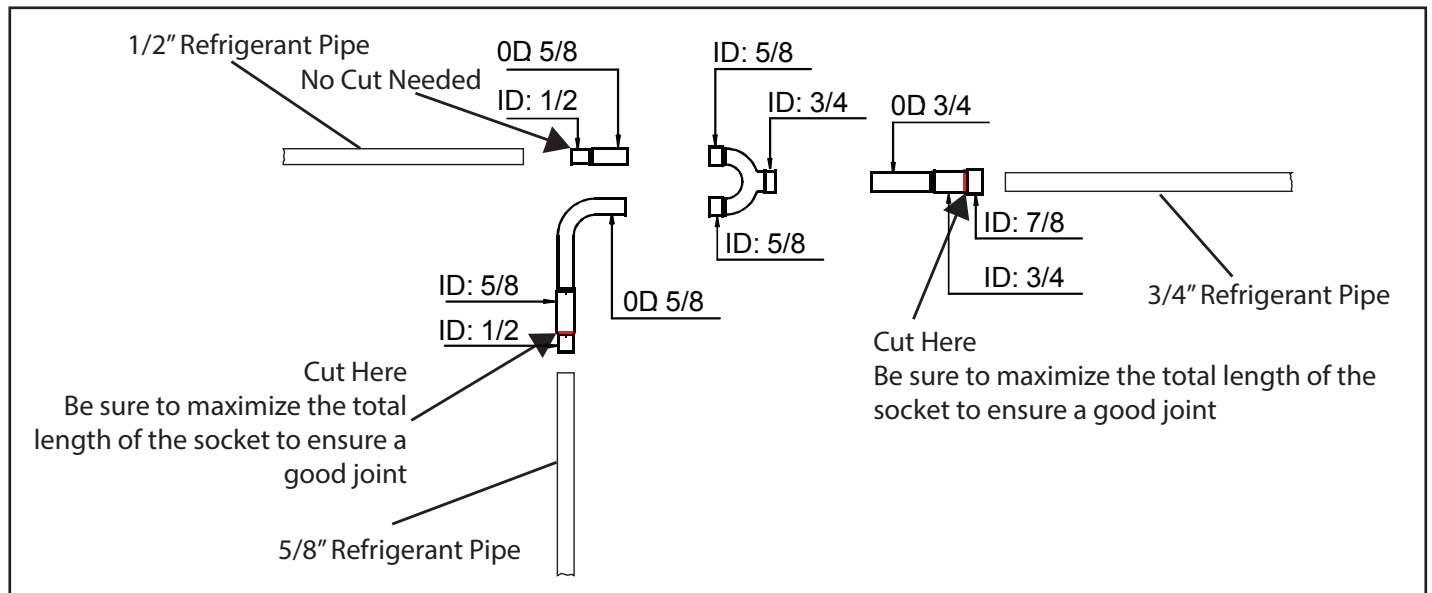


Figure 4. Cutting Branch Pipe Kits to Size Example

VRB Heat Recovery Units

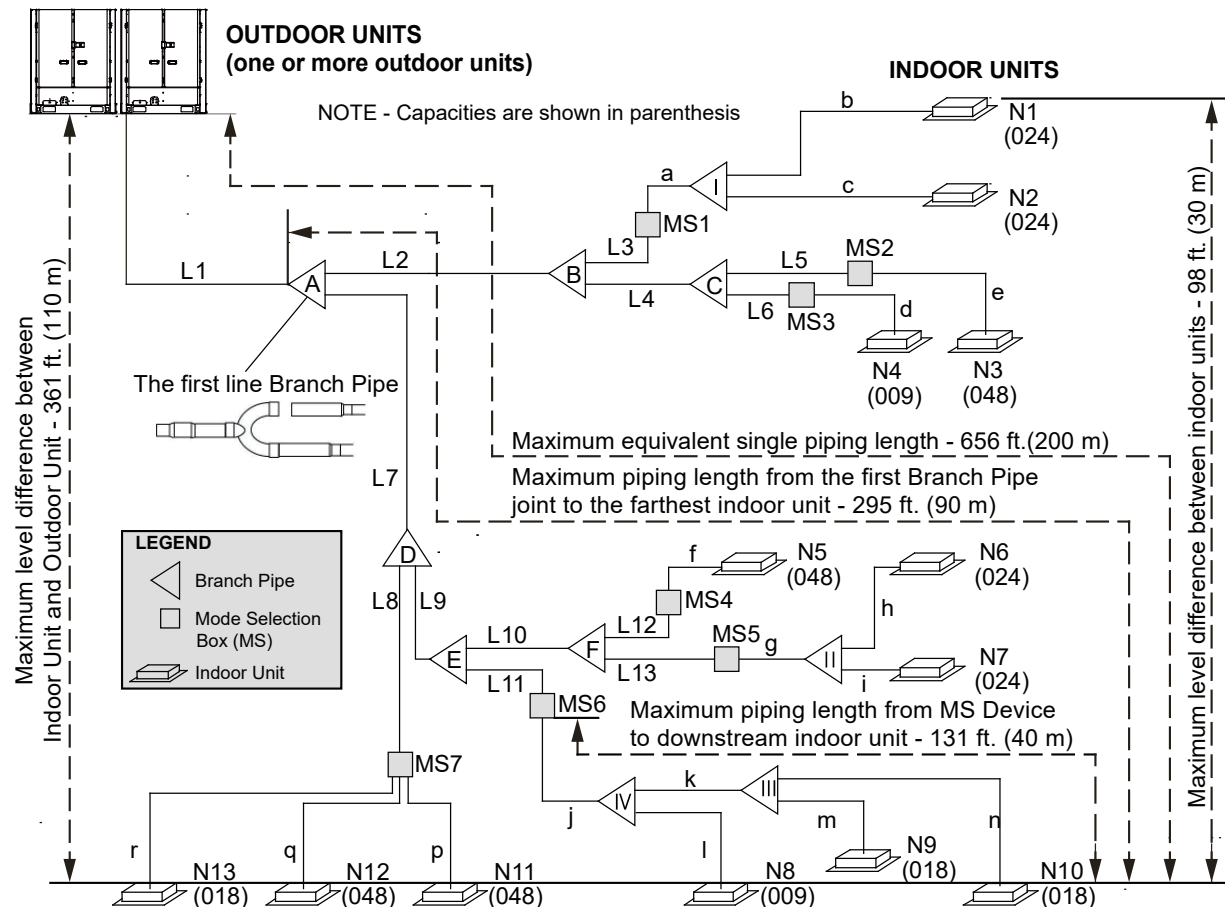
Name	Low-Pressure Gas Side Joints (inch)	High-Pressure Gas Side Joints (inch)	Liquid Side Joints (inch)	Gas Balance Joint (inch)	Oil Balance Joint (inch)	Insulation Material (furnished)
V80DBP02HR-3						
V80DBP02HR-3						

VPB Heat Pump Units

Name	Low-Pressure Gas Side Joints (inch)	Liquid Side Joints (inch)	Low-Pressure Gas Balance Joint (inch)	High-Pressure Gas Balance Joint (inch)	Oil Balance Joint (inch)	Insulation Material (furnished)
V80DBP02HP-3						
V80DBP03HP-3						

Refrigerant Piping Details VRB Heat Recovery

Maximum Permitted Refrigerant Pipe Length and Maximum Height Difference



Piping Length		Permitted value	Piping
Piping Length	Total piping length	¹ 3280 ft. (1000 m)	$L1+(L2+L3+L4+L5+L6+L7+L8+L9+L10+L11+L12+L13) \times 2+a+b+c+d+e+f+g+h+i+j+k+l+m+n+p+q+r$
	Single piping length	Actual length	574 ft. (175 m)
		Equivalent length	² 656 ft. (200 m)
	Piping length from the first branch joint to the farthest indoor unit	³ 132/295 ft. (40/90 m)	$L7+L9+L11+j+k+n$
Piping length from Mode Selection Box (MS) to the downstream indoor unit of itself	132 ft. (40 m)	$j+k+n$	
Level Difference	Level difference between indoor unit and outdoor unit	Outdoor unit up	⁴ 360 ft. (110 m)
		Outdoor unit down	⁵ 230 ft. (70 m)
	Level difference between indoor units	98 ft. (30 m)	---

NOTES:

The first branch in all systems must be centrally located between all Mode Selection (MS) Boxes.

¹ When counting the total piping length, double the actual length of the distribution pipes between first Branch Pipe joint and Mode Selection Box (MS): Installation. Total piping length = $L1+(L2+L3+L4+L5+L6+L7+L8+L9+L10+L11+L12+L13) \times 2+a+b+c+d+e+f+g+h+i+j+k+l+m+n+p+q+r \leq 3280 \text{ ft. (1000 m)}$.

² Each Branch Pipe or bend is equivalent to 20 in. (508 mm).

³ The maximum allowable piping length from the first Branch Pipe joint to the farthest indoor unit must be $\leq 132 \text{ ft. (40 m)}$, but if the following conditions are met, the maximum allowable length can be extended to 295 ft. (90 m):

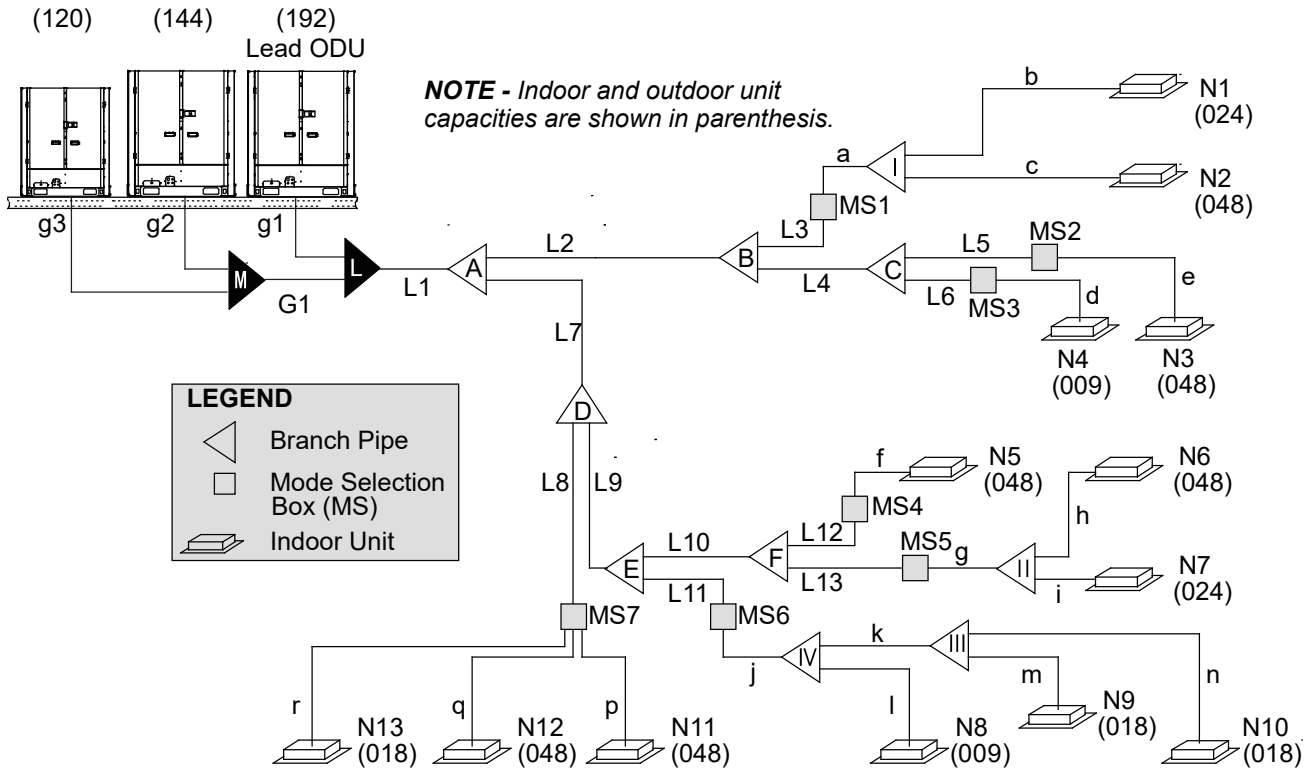
- The piping length from each indoor unit to the nearest Branch Pipe joint or direct connected Mode Selection Box (MS) must be less than 132 ft. (40m) (b to r).
- The difference in length between the outdoor unit to the farthest indoor unit, and the outdoor unit to the nearest indoor unit is $\leq 132 \text{ ft. (40 m)}$.
Example: The farthest indoor unit is N10, The nearest indoor unit is N11 ($L1+L7+L9+L11+j+k+n$) minus ($L1+L7+L8+p$) $\leq 132 \text{ ft. (40 m)}$.
- Increase the distribution pipe diameter between the first Branch Pipe and Mode Selection Box (MS) L2-L13. If the pipe diameter is the same as the main outdoor pipe, it need to be increased.

Pipe Size Allowable Increase Diameters (in.):

3/8 to 1/2	1/2 to 5/8	5/8 to 3/4	3/4 to 7/8	7/8 to 1-1/8	1-1/8 to 1-3/8	1-3/8 to 1-5/8	1-5/8 to 2-1/8
------------	------------	------------	------------	--------------	----------------	----------------	----------------

⁴ When the outdoor unit is higher than indoor units and the level difference is over 164 ft. (50 m), it is required to set an oil return bend every 33 ft.(10 m) in the gas pipe of the main pipe. Refer to Installation Instructions for additional details.

⁵ When the outdoor unit is lower than indoor units and the level difference is more than 132 ft.(40 m), the main liquid pipe pipe need to increase by one size.



PIPE AND COMPONENT NAMES

Name	Designation
Outdoor Unit Connection Pipe	g1, g2, g3, G1
Outdoor Unit Branch Pipe Assembly	L, M
Main Pipe	L1
Indoor Unit Main Pipe	L2, L3, L4, L5, L6, L7, L8, L9, L10, L11, L12, L13
Branch Pipe Assembly between Main Pipe and Mode Selection Box (MS)	A, B, C, D, E, F
Mode Selection Box (MS)	MS1, MS2, MS3, etc.
Branch Pipe Assembly between Mode Selection Box (MS) and Indoor Unit	I, II, III, IV
Indoor Unit auxiliary pipe between Mode Selection Box (MS) and downstream Branch Pipe joint	a, g, j, k
Indoor Unit auxiliary pipe from Indoor Unit to the nearest Branch Pipe joint or direct connected Mode Selection Box (MS)	b, c, d, e, f, h, i, l, m, n, p, q, r
Indoor Unit	N1, N2, N3, etc.

OUTDOOR UNIT MAIN PIPE SELECTION (L1)

Outdoor Unit Size	Main Pipe Diameter (in.)							
	Equivalent length of all liquid pipes is <u>less</u> than 295 ft. (90 m)			First Branch Pipe Assembly	Equivalent length of all liquid pipes is <u>more</u> than 295 ft. (90 m)			First Branch Pipe Assembly
	Low Pressure Gas Pipe	High Pressure Gas Pipe	Liquid Pipe		Low Pressure Gas Pipe	High Pressure Gas Pipe	Liquid Pipe	
072	7/8	3/4	3/8	V8MSBP02	7/8	3/4	1/2	V8MSBP02
096	7/8	3/4	3/8	V8MSBP02	7/8	3/4	1/2	V8MSBP02
120	1-1/8	3/4	1/2	V8MSBP03	1-1/8	3/4	5/8	V8MSBP03
144	1-1/8	7/8	1/2	V8MSBP03	1-1/8	7/8	5/8	V8MSBP03
168-216	1-3/8	1-1/8	5/8	V8MSBP04	1-3/8	1-1/8	3/4	V8MSBP04
240	1-3/8	1-1/8	5/8	V8MSBP04	1-3/8	1-1/8	3/4	V8MSBP04
264-312	1-3/8	1-1/8	3/4	V8MSBP04	1-3/8	1-1/8	7/8	V8MSBP04
336-432	1-5/8	1-3/8	3/4	V8MSBP05	1-5/8	1-3/8	7/8	V8MSBP05
456-504	1-5/8	1-3/8	3/4	V8MSBP05	1-5/8	1-3/8	7/8	V8MSBP05

Note - The Main Pipe (L1) can be selected from the Outdoor Unit Main Pipe Selection table or the Indoor Unit Main Pipe Selection table, the larger size must be used.

INDOOR UNIT MAIN PIPE SELECTION (L1 to L13)

Indoor Unit Total Capacity (kBtuh)	Indoor Unit Main Pipe Diameter (in.)			Branch Pipe Assembly
	Low Pressure Gas Pipe	High Pressure Gas Pipe	Liquid Pipe	
A < 018	1/2	3/8	1/4	V8MSBP01
018 ≤ A < 056	3/4	5/8	3/8	V8MSBP01
056 ≤ A < 078	7/8	3/4	3/8	V8MSBP02
078 ≤ A < 112	7/8	3/4	1/2	V8MSBP02
112 ≤ A < 156	1-1/8	7/8	1/2	V8MSBP03
156 ≤ A < 224	1-1/8	7/8	5/8	V8MSBP03
224 ≤ A < 314	1-3/8	1-1/8	3/4	V8MSBP04
314 ≤ A < 460	1-5/8	1-3/8	3/4	V8MSBP05
460 ≤ A < 504	1-5/8	1-3/8	7/8	V8MSBP05

OUTDOOR UNIT PIPE SELECTION (g1, g2, g3, G1)

Pipe	Outdoor Unit Size	Pipe Diameter (in.)		
		Low Pressure Gas Pipe	High Pressure Gas Pipe	Liquid Pipe
G1	408, 432, 456, 480, 504	1-5/8	1-3/8	7/8
g1, g2, g3	6 or 8-ton	7/8	3/4	1/2
	10 or 12-ton	1-1/8	7/8	5/8
	14 or 16-ton	1-3/8	1-1/8	3/4

OUTDOOR UNIT BRANCH PIPE ASSEMBLY SELECTION (L, M)

Outdoor Unit Quantity	Parallel Connection with Branch Pipes
2 units	L use V8ODBP02HR-3
3 units	L + M use V8ODB0P3HR-3

INDOOR UNIT AUXILIARY PIPE SELECTION (Between Branch Box (MS) And Downstream Branch Joint) (a, g, j, k)

Indoor Unit Capacity (kBtuh)	Pipe Diameter (in.)		Available Branch Pipe
	Gas Pipe	Liquid Pipe	
A<56	5/8	3/8	V8IDBP01

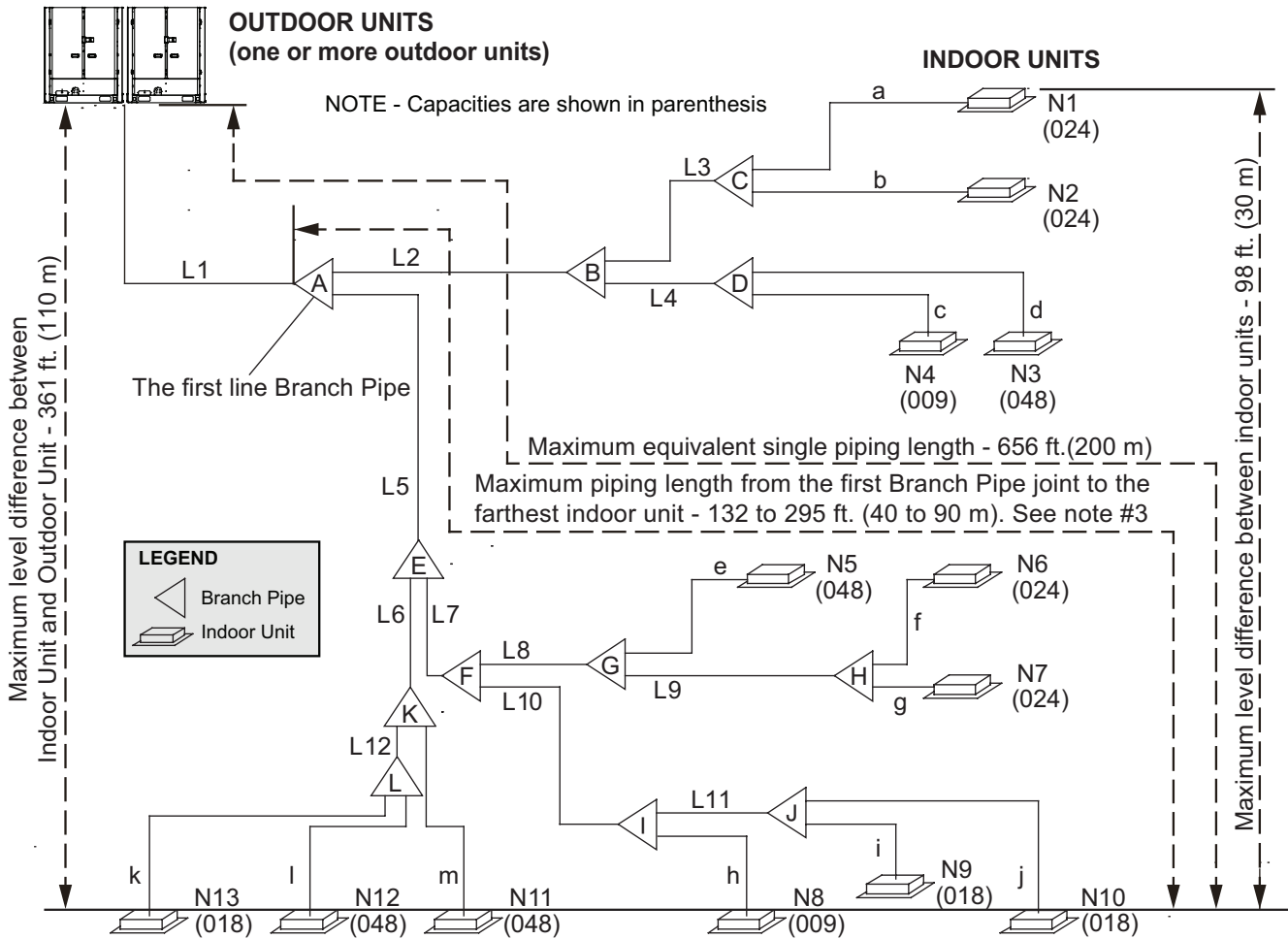
INDOOR UNIT AUXILIARY PIPE SELECTION

(From Indoor Unit To The Nearest Branch Joint Or Direct Connected Mode Selection Box (MS) (b, c, d, e, f, h, i, l, m, n, p, q, r)

Indoor Unit Capacity (kBtuh)	Pipe Diameter (in.)			
	Pipe length from indoor unit to nearest branch joint or direct connected Mode Selection Box (MS)			
	Pipe length <u>less</u> than 100 ft (30 m)		Pipe length <u>more</u> than 100 ft (30 m)	
	Gas Pipe	Liquid Pipe	Gas Pipe	Liquid Pipe
A<18	1/2	1/4	5/8	3/8
18≤A<54	5/8	3/8	3/4	1/2

Refrigerant Piping Details VPB Heat Pump

Maximum Permitted Refrigerant Pipe Length and Maximum Height Difference



Piping Length		Permitted value	Piping
Piping Length	Total piping length	¹ 3280 ft. (1000 m)	$L1+(L2+L3+L4+L5+L6+L7+L8+L9+L10+L11+L12) \times 2 + a+b+c+d+e+f+g+h+i+j+k+l+m$
	Single piping length	Actual length	574 ft. (175 m)
		Equivalent length	² 656 ft. (200 m)
Piping length from the first branch joint to the farthest indoor unit		³ 132/295 ft. (40/90 m)	$L5+L7+L10+L11+j$
Level Difference	Level difference between indoor unit and outdoor unit	Outdoor unit up	⁴ 360 ft. (110 m)
		Outdoor unit down	⁵ 230 ft. (70 m)
	Level difference between indoor units		98 ft. (30 m)

NOTES:

The first branch in all systems must be centrally located between all indoor units.

¹ When counting the total piping length, double the actual length of the distribution pipes and first Branch Pipe joint: Installation.

Total piping length = $L1+(L2+L3+L4+L5+L6+L7+L8+L9+L10+L11+L12) \times 2 + a+b+c+d+e+f+g+h+i+j+k+l+m \leq 3280 \text{ ft. (1000 m)}$.

² Each Branch Pipe or bend is equivalent to 20 in. (508 mm).

³ The maximum allowable piping length from the first Branch Pipe joint to the farthest indoor unit must be $\leq 132 \text{ ft. (40 m)}$, but if the following conditions are met, the maximum allowable length can be extended to 295 ft. (90 m):

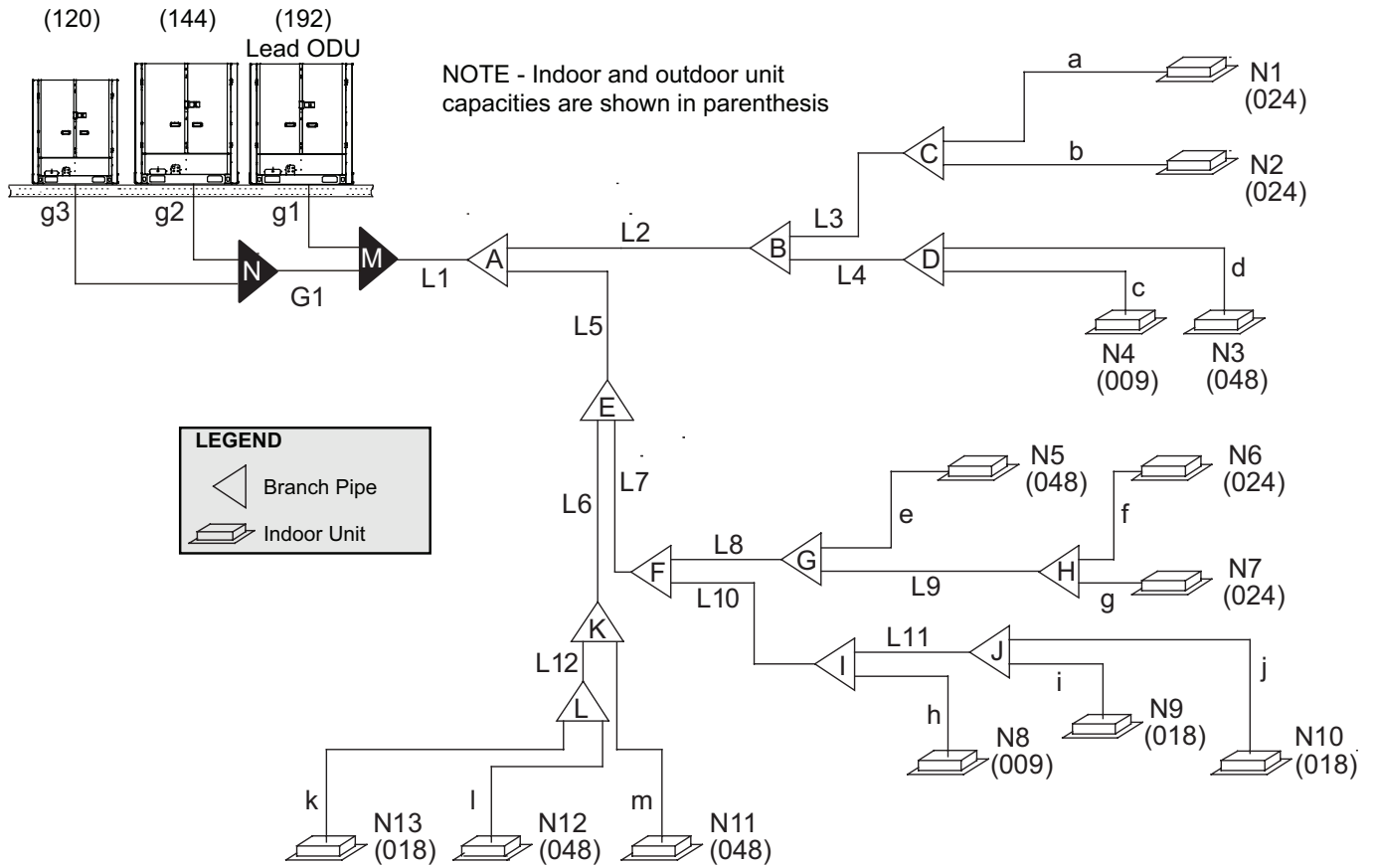
- The piping length from each indoor unit to the nearest Branch Pipe joint must be less than 132 ft. (40m) (a to m).
- The difference in length between the outdoor unit to the **farthest** indoor unit, and the outdoor unit to the **nearest** indoor unit is $\leq 132 \text{ ft. (40 m)}$.
Example: The **farthest** indoor unit is N10, The **nearest** indoor unit is N11 ($L1+L5+L7+L11+j$) minus ($L1+L5+L6+m$) $\leq 132 \text{ ft. (40 m)}$.
- Increase the distribution pipe diameter between the first and other Branch Pipe L2-L12. If the pipe diameter is the same as the main outdoor pipe, it does not need to be increased.

Pipe Size Allowable Increase Diameters (in.):

3/8 to 1/2	1/2 to 5/8	5/8 to 3/4	3/4 to 7/8	7/8 to 1-1/8	1-1/8 to 1-3/8	1-3/8 to 1-5/8	1-5/8 to 2-1/8
------------	------------	------------	------------	--------------	----------------	----------------	----------------

⁴ When the outdoor unit is **higher** than indoor units and the level difference is over 164 ft. (50 m), it is required to set an oil return bend every 32.8 ft. (10 m) in the gas pipe of the main pipe. Refer to Installation Instructions for additional details.

⁵ When the outdoor unit is **lower** than indoor units and the level difference is more than 132 ft. (40 m), the main liquid pipe pipe need to increase by one size.



PIPE AND COMPONENT NAMES

Name	Designation
Outdoor Unit Connection Pipe	g1, g2, g3, G1
Outdoor Unit Branch Pipe Assembly	M, N
Main Pipe	¹ L1
Indoor Unit Main Pipe	L2, L3, L4, L5, L6, L7, L8, L9, L10, L11, L12
Branch Pipe Assembly	A, B, C, D, E, F, G, H, I, J, K, L
Indoor Unit auxiliary pipe from Indoor Unit to the nearest Branch Pipe joint	a, b, c, d, e, f, g, h, i, j, k, l, m
Indoor Unit	N1, N2, N3, etc.

¹When the length of main pipe L1 is longer than 230 feet (70 m), the DIP SW “S9-2” should be “ON”.

OUTDOOR UNIT MAIN PIPE SELECTION (L1)

Outdoor Unit Size	Main Pipe Diameter (in.)					First Branch Pipe Assembly
	Equivalent length of all liquid pipes is <u>less</u> than 295 ft. (90 m)		First Branch Pipe Assembly	Equivalent length of all liquid pipes is <u>more</u> than 295 ft. (90 m)		
	Low Pressure Gas Pipe	Liquid Pipe		Low Pressure Gas Pipe	Liquid Pipe	
072	7/8	3/8	V8IDBP02	7/8	1/2	V8IDBP02
096	7/8	3/8	V8IDBP02	1-1/8	1/2	V8IDBP03
120	1-1/8	1/2	V8IDBP03	1-1/8	5/8	V8IDBP03
144	1-1/8	1/2	V8IDBP03	1-1/8	5/8	V8IDBP03
168-216	1-1/8	5/8	V8IDBP03	1-3/8	3/4	V8IDBP04
240	1-1/8	5/8	V8IDBP03	1-3/8	3/4	V8IDBP04
264-312	1-3/8	3/4	V8IDBP04	1-3/8	7/8	V8IDBP04
336-432	1-3/8	3/4	V8IDBP04	1-5/8	7/8	V8IDBP05
456-480	1-5/8	3/4	V8IDBP05	1-5/8	7/8	V8IDBP05

Note - The Main Pipe (L1) can be selected from the Outdoor Unit Main Pipe Selection table or the Indoor Unit Main Pipe Selection table, the larger size must be used.

INDOOR UNIT MAIN PIPE SELECTION (L1 to L12)

Indoor Unit Total Capacity (kBtuh)	Indoor Unit Main Pipe Diameter (in.)		Branch Pipe Assembly
	Gas Pipe	Liquid Pipe	
A < 056	5/8	3/8	V8IDBP01
056 ≤ A < 078	3/4	3/8	V8IDBP01
078 ≤ A < 112	7/8	3/8	V8IDBP02
112 ≤ A < 156	1-1/8	1/2	V8IDBP03
156 ≤ A < 224	1-1/8	5/8	V8IDBP03
224 ≤ A < 314	1-3/8	3/4	V8IDBP04
314 ≤ A < 460	1-5/8	3/4	V8IDBP05
460 ≤ A < 480	1-5/8	7/8	V8IDBP05

OUTDOOR UNIT PIPE SELECTION (g1, g2, g3, G1)

Pipe	Outdoor Unit Size	Pipe Diameter (in.)	
		Low Pressure Gas Pipe	Liquid Pipe
G1	408, 432, 456, 480	1-5/8	7/8
g1, g2, g3	6 or 8-ton	7/8	1/2
	10 or 12-ton	1-1/8	5/8
	14 or 16-ton	1-3/8	3/4

OUTDOOR UNIT BRANCH PIPE ASSEMBLY SELECTION (M, N)

Outdoor Unit Quantity	Parallel Connection with Branch Pipes
2 units	M use V8ODBP02HP-3
3 units	M + N use V8ODBP03HP-3

INDOOR UNIT AUXILIARY PIPE SELECTION

(From Indoor Unit To The Nearest Branch Joint (a, b, c, d, e, f, g, h, i, j, k, l, m))

Indoor Unit Capacity (kBtuh)	Pipe Diameter (in.)			
	Pipe length from indoor unit to nearest branch joint			
	Pipe length <u>less</u> than 100 ft (30 m)		Pipe length <u>more</u> than 100 ft (30 m)	
	Gas Pipe	Liquid Pipe	Gas Pipe	Liquid Pipe
A < 18	1/2	1/4	5/8	3/8
18 ≤ A ≤ 54	5/8	3/8	3/4	1/2
54 < A ≤ 96	7/8	3/8	1-1/8	1/2

Technical Support

1-844-GET-VRF1

(1-844-438-8731)

vrftechsupport@lennoxind.com

www.LennoxVRF.com

Download the app
from the Apple App Store or the Google Play store.

