



**⚠ WARNING**

Improper installation, adjustment, alteration, service or maintenance can cause property damage, personal injury or loss of life. Installation and service must be performed by a licensed professional HVAC installer or equivalent, service agency, or the gas supplier.

**⚠ WARNING**

Isolate the power supply before connecting to electrical receptacle.  
Install receptacle so that unit disconnect is accessible. Follow all local and national codes, as well as this installation instruction, during installation. Do NOT overload electrical circuit, as this may lead to failure and possible fire.  
Use specified wiring and cable to make electrical connections. Clamp cables securely and make sure that connections are tight to avoid strain on wiring. Insecure wiring connections may result in equipment failure and risk of fire.  
Wiring must be installed so that the water-proof enclosure can be securely closed.

# INSTALLATION INSTRUCTIONS

## V8GFCI01

VRF Systems - GFCI  
507952-01  
04/2019

**⚠ WARNING**

The 115V power supply to the receptacle **MUST** not be taken from the outdoor unit power supply. The power supply must be independent and independently protected.

**⚠ CAUTION**

This receptacle must be properly grounded and protected by a circuit breaker. The ground wire for the receptacle must not be connected to a gas or water pipe, a lightning conductor or a telephone ground wire. Install all wiring at least 3 feet away from televisions, radios or other electronic devices in order to avoid the possibility of interference with the unit operation.

**⚠ IMPORTANT**

Read all of the information in this manual before using this accessory. All wiring must conform to local and national building and electrical codes and ordinances.

### General

Use the V8GFCI01 (17U43) accessory for convenient access to 115VAC power for installation and commissioning tools such as vacuum pumps.

### Shipping and Packing List

**Package 1 of 1 contains:**

- 1 - Water-proof enclosure box
- 1 - Water-proof enclosure top
- 1 - Electrical Receptacle
- 1 - Receptacle Cover
- 14 - Screws
- 1 - Installation manual

**Required, field supplied:**

- 2 - Rubber Grommets

## Requirements

Be sure that power supply to receptacle has been turned off before beginning installation.  
This accessory should be used only as described in this manual.

- The accessory uses 115VAC voltage.
- Voltage **MUST** not be taken from the outdoor unit power supply. The power supply must be independent and independently protected.
- Keep a minimum distance of 12" (305 mm) between low voltage control wire and high voltage power wires.

## Installation

1. Mount the water-proof enclosure box to the outdoor unit or coil guard using the provided holes **ONLY**. See Figures 1 and 2. No other electrical devices should be mounted to the outdoor unit cabinet.

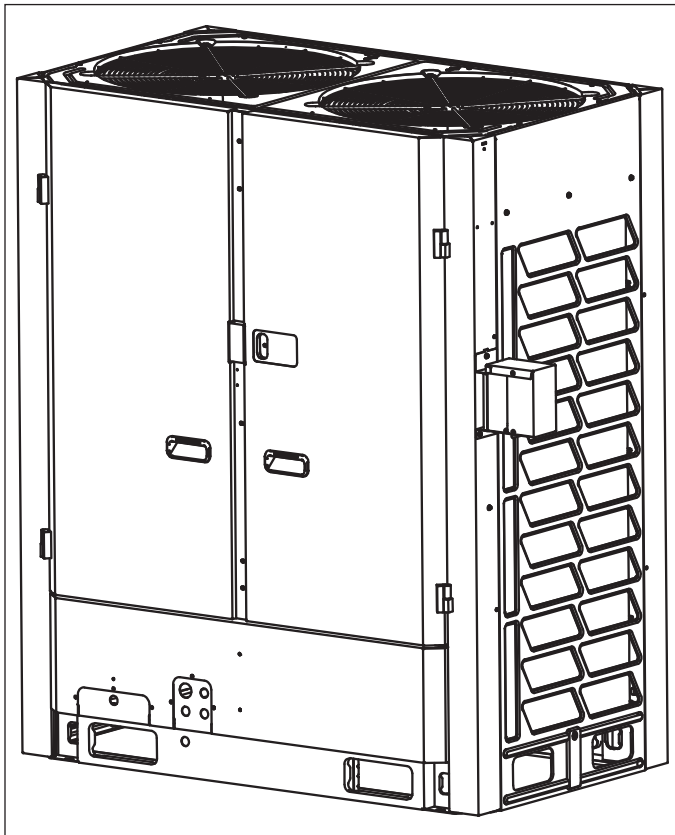


Figure 1. Mount Directly to Outdoor Unit

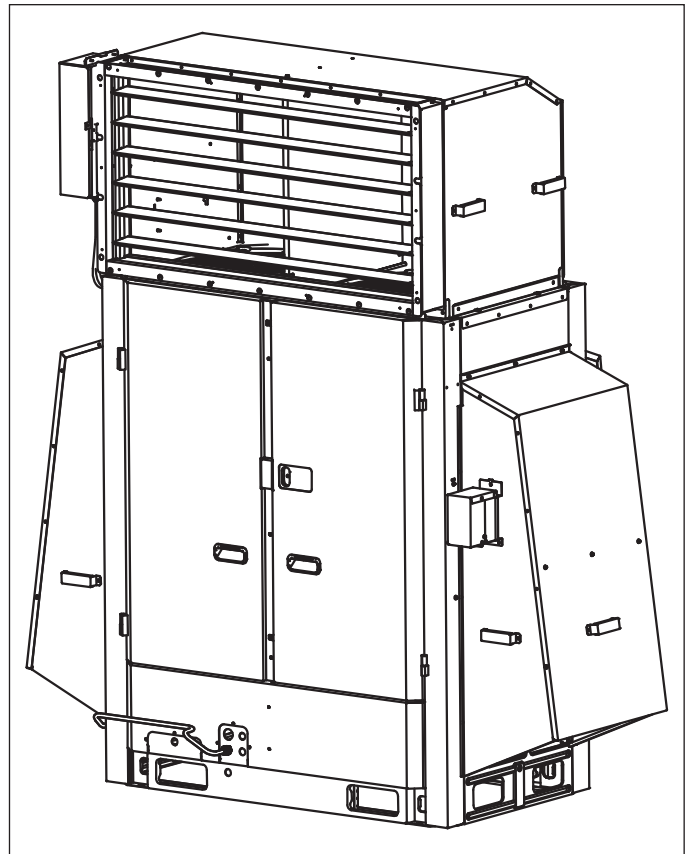


Figure 2. Mount Directly to Coil Guard

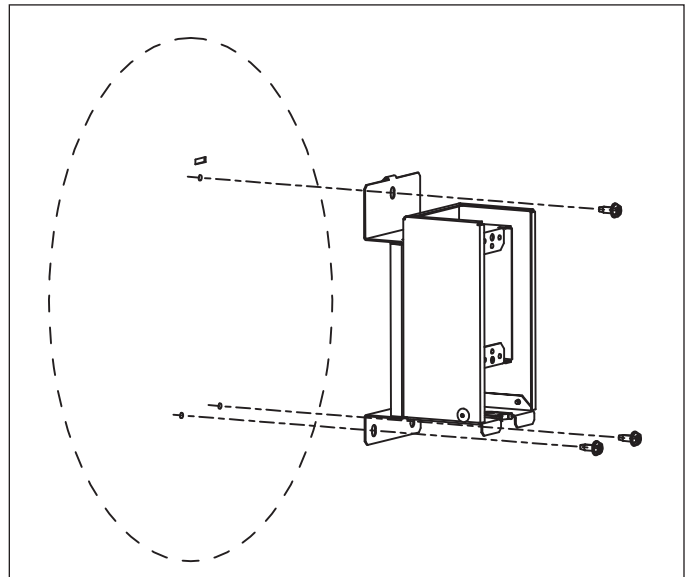
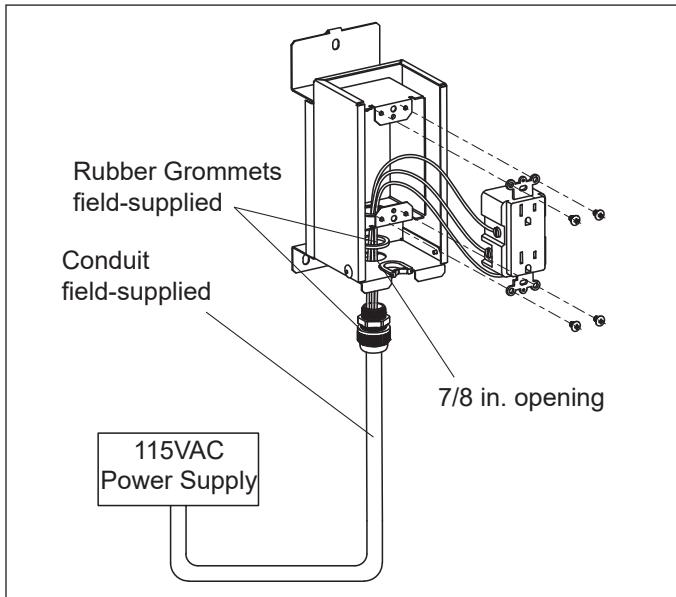


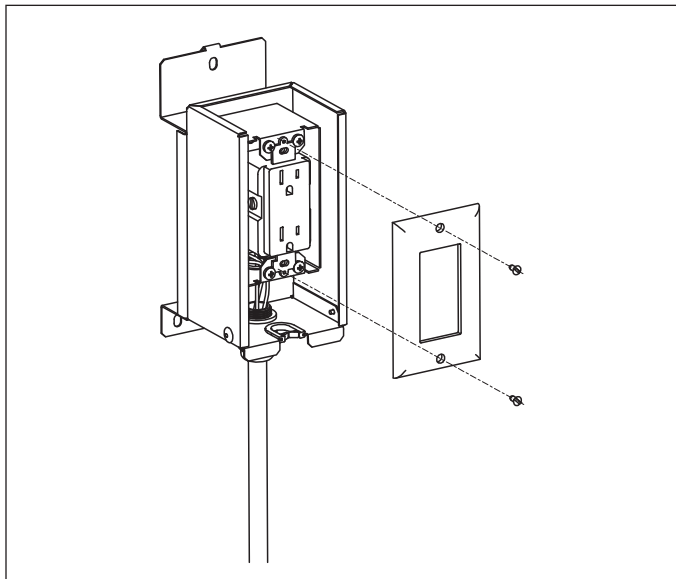
Figure 3. Mount Water-Proof Enclosure Box

2. Connect the power supply to the receptacle and attached the receptacle to the box.



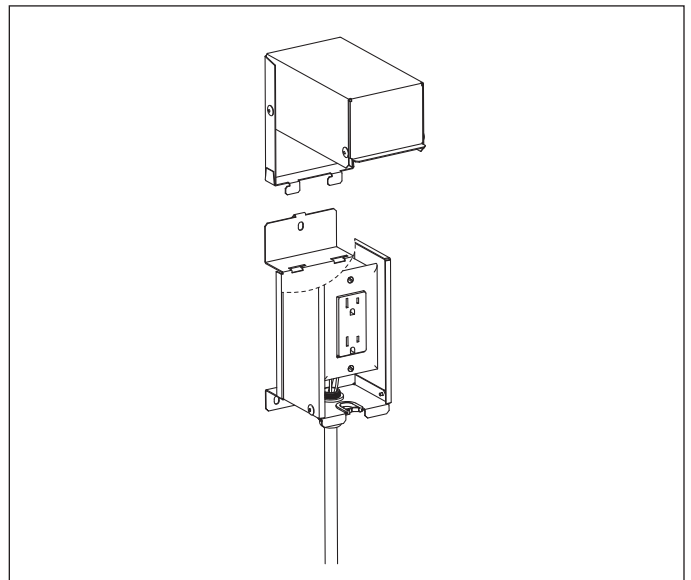
**Figure 4. Attach Receptacle to Water-Proof Enclosure Box**

3. Attach the provided cover to the receptacle.



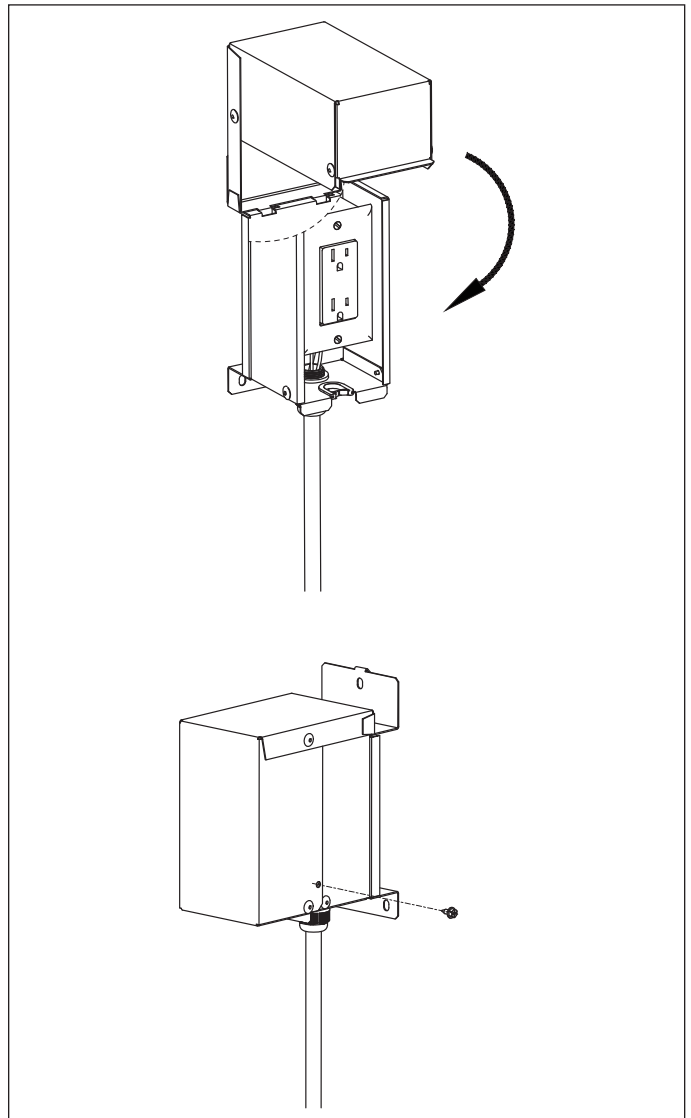
**Figure 5. Attach Provided Cover to Receptacle to Water-Proof Enclosure Box**

4. Clip the water-proof enclosure top to the box.



**Figure 6. Attach Water-Proof Enclosure Top to Box**

5. Close the top and secure with a screw.



**Figure 7. Attach Water-Proof Enclosure Top to Box**

**Technical Support**

1-844-GET-VRF1

(1-844-438-8731)

vrftechsupport@lennoxind.com

www.LennoxVRF.com

Download the app  
from the Apple App Store or the Google Play store.

