

**COMBINATION OUTDOOR  
AND EXHAUST AIR HOOD KIT**

**INSTALLATION INSTRUCTIONS FOR COMBINATION AIR HOODS  
(18D80; 620262-01) USED WITH LG/LC/KG/KC/KH 024-090 UNITS**

**Shipping and Packing List**

Package 1 of 1 contains:

- 1-Hood top
- 2-Hood sides
- 1-Hood divider panel
- 1-Hood top filter bracket
- 1-Filter
- 1-Bag assembly containing:
  - #10-32 X 1/2 Thread forming screws
  - #10-16 X 5/8 Sheet metal screws

**⚠ WARNING**

Improper installation, adjustment, alteration, service or maintenance can cause property damage, personal injury or loss of life. Installation and service must be performed by a licensed professional HVAC installer or equivalent, service agency, or the gas supplier.

**⚠ CAUTION**

As with any mechanical equipment, contact with sharp sheet metal edges can result in personal injury. Take care while handling this equipment and wear gloves and protective clothing.

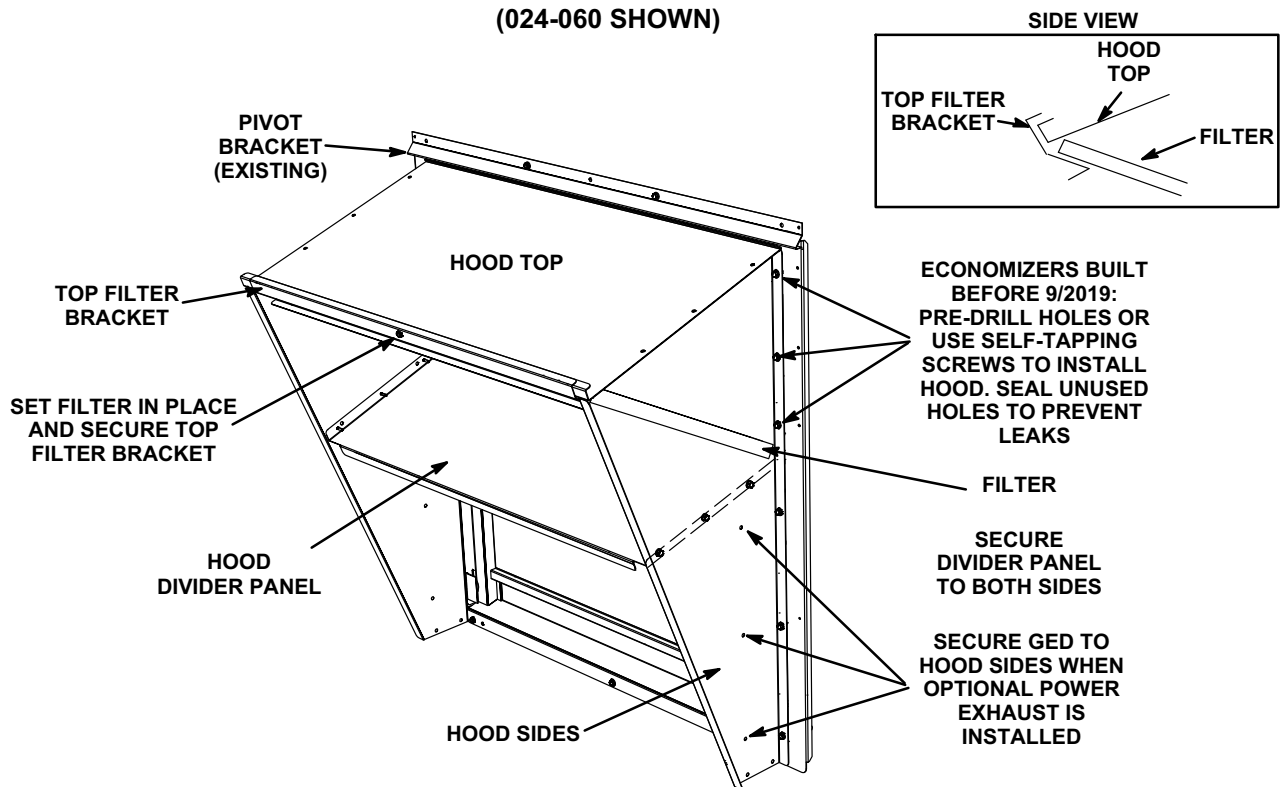
**Application**

This combination hood replaces both fresh/outdoor air and exhaust air hoods in downflow air discharge applications.

**Outdoor Air Hoods - Downflow**

- 1- Assemble hood as shown in figure 1. Slide top of hood into the ends of pivot bracket (reuse existing bracket).
- 2- Secure hood sides to unit.
- 3- Position filter in place and install top filter bracket to secure filter in place.
- 4- Caulk ends of pivot bracket to seal watertight.

**ASSEMBLE HOODS DOWNFLOW AIR APPLICATIONS  
(024-060 SHOWN)**



**FIGURE 1**