

**THERMISTOR
REPLACEMENT KIT**

**INSTALLATION INSTRUCTIONS FOR THERMISTOR KITS USED ON
LGM/LCM036-300 PACKAGED UNITS**

Shipping and Packing List

Package 1 of 1 contains:

Thermistors with wire harnesses

⚠ WARNING

Improper installation, adjustment, alteration, service or maintenance can cause property damage, personal injury or loss of life. Installation and service must be performed by a licensed professional HVAC installer or equivalent, service agency, or the gas supplier

⚠ CAUTION

As with any mechanical equipment, contact with sharp sheet metal edges can result in personal injury. Take care while handling this equipment and wear gloves and protective clothing.

Check packaging for shipping damage. Contact the last carrier immediately if any shipping damage is found.

Application

Units are equipped with factory-installed thermistors located on different points on the refrigerant circuit. The thermistors provide the Unit Controller with constant temperature readings. These temperatures are used as feedback in certain modes of unit operation. In addition, the Unit Controller uses these temperatures to initiate alarms such as loss of condenser or evaporator airflow and loss of charge.

Each thermistor must be specifically placed for proper unit operation and to initiate valid alarms. See table 1 or 2 for proper locations and kit application.

**TABLE 1
036-150**

Cat. No.	Unit	Sensor	Figure
22K90* 623049-05	036, 048	RT42, 46	Figure 1
	060, 074	RT42, 46	Figure 2
	036, 048, 060, 074	RT44, 48	Figure 3
	092, 102, 120, 150	RT42, 43, 46, 47	Figure 4
	092, 102, 120, 150	RT44, 45	Figure 5
	092, 102, 120, 150	RT48, 49	Figure 6

*Eight sensors provided; not all sensors used.

**TABLE 2
156-300**

Cat. No.	Unit	Sensor	Figure
22J06* 623049-01	156, 180	RT46, 47, 50	Figure 7
22J07* 623049-02	156, 180	RT42, 43, 54	Figure 7
22J06 623049-01	210, 240, 300	RT46, 47, 50, 51	Figure 8
22J07 623049-02	210, 240, 300	RT42, 43, 54, 55	Figure 8
22J08* 623049-03	156, 180	RT48, 49, 52	Figure 9
22J09* 623049-04	156, 180	RT44, 45, 56	Figure 9
22J08; 623049-03	210	RT48, 49, 52, 53	Figure 10
22J09; 623049-04	210	RT44, 45, 56, 57	Figure 10
22J08; 623049-03	240, 300	RT48, 49, 52, 53,	Figure 11
22J09; 623049-04	240, 300	RT44, 45, 56, 57	Figure 11

*Four sensors provided; not all sensors used.



**THERMISTOR LOCATION RT42 & 46
036 & 048 THREE-ROW EVAPORATOR COIL
(VIEW FROM FRONT SIDE OF UNIT)
22K90**

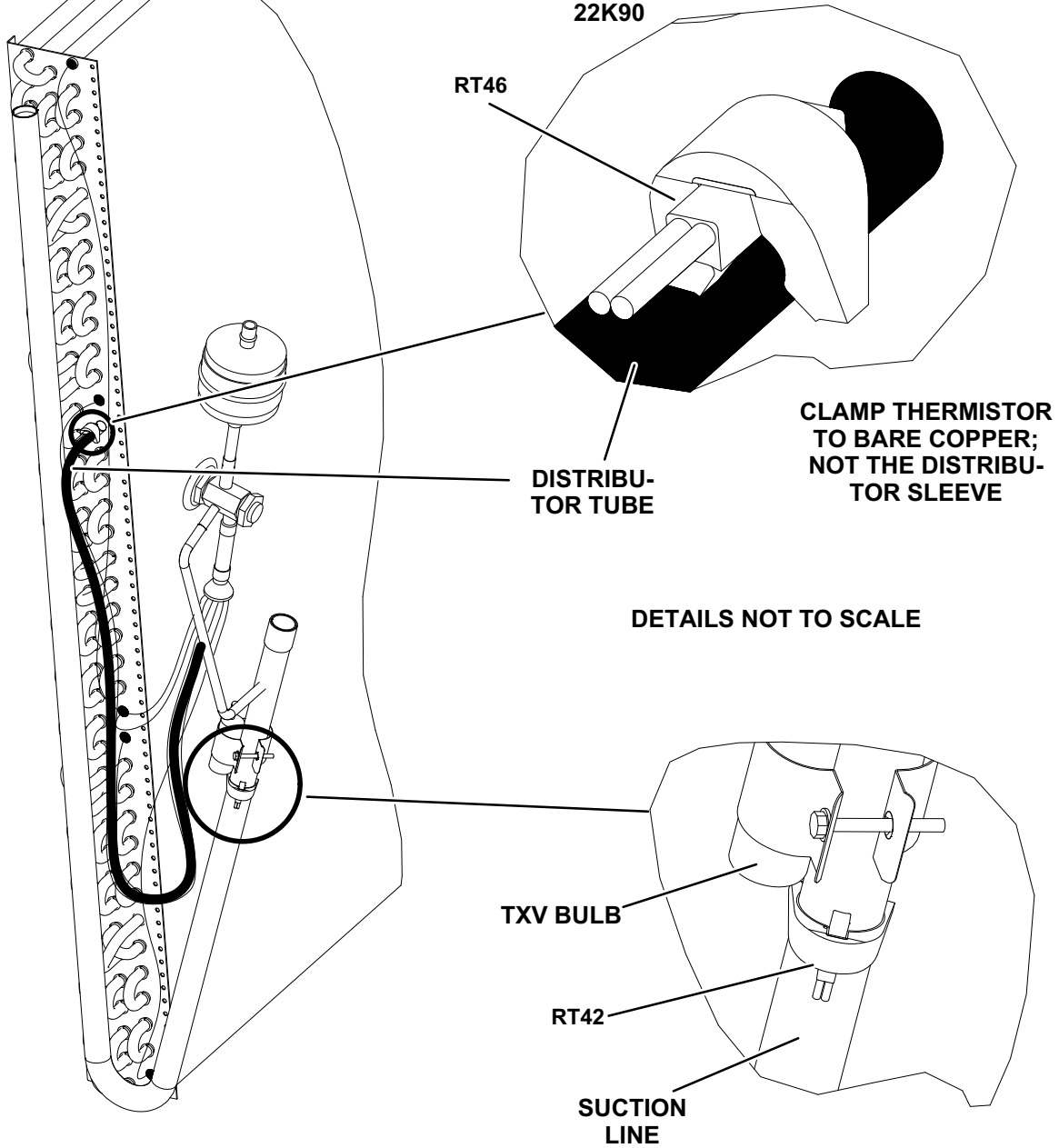


FIGURE 1

**THERMISTOR LOCATION RT42 & 46
060 & 074 FOUR-ROW EVAPORATOR COIL
(VIEW FROM FRONT SIDE OF UNIT)
22K90**

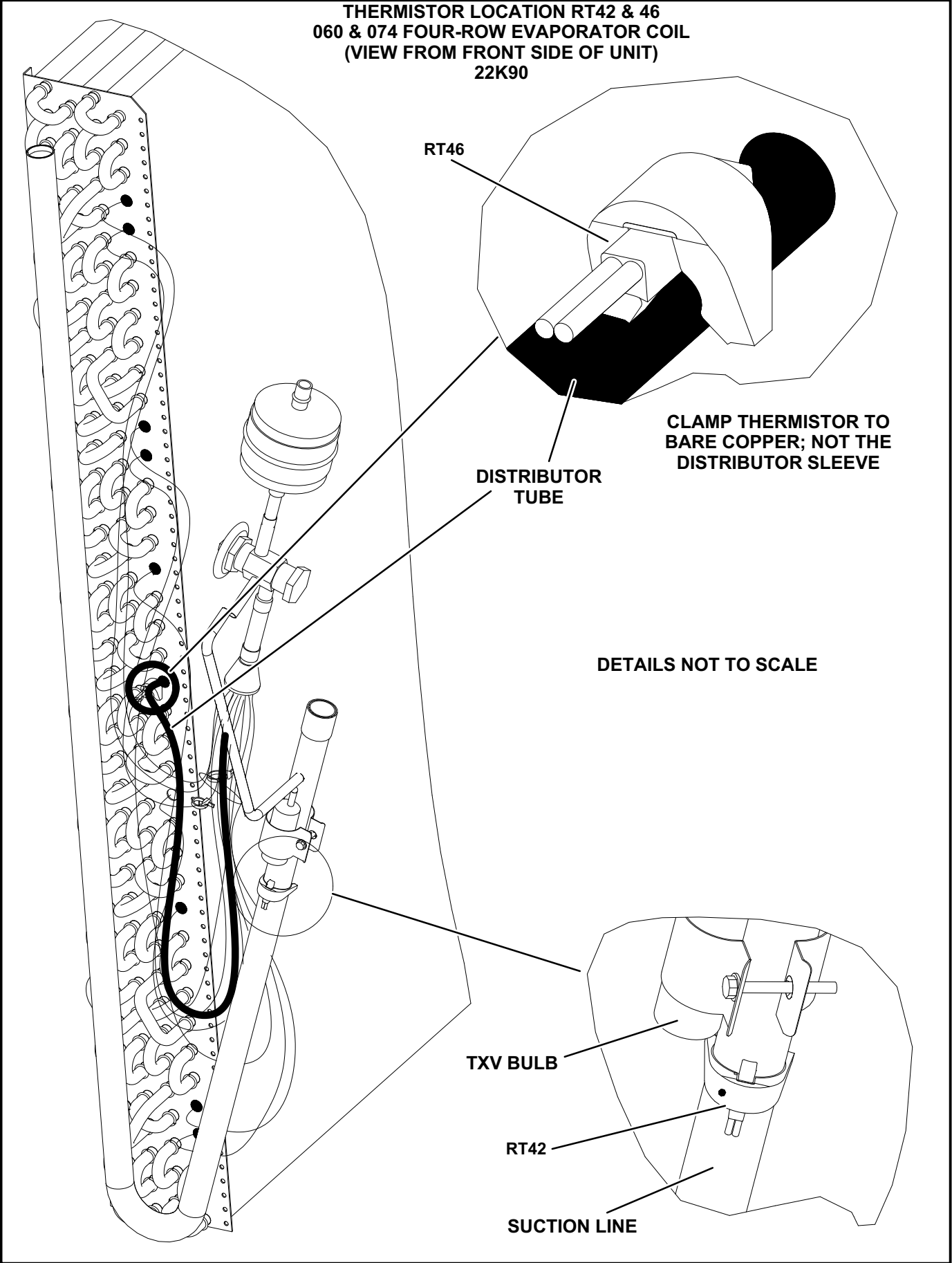


FIGURE 2

**THERMISTOR LOCATION RT44 & RT48
036-048 CONDENSER COIL
(VIEW FROM FRONT SIDE OF UNIT)
22K90**

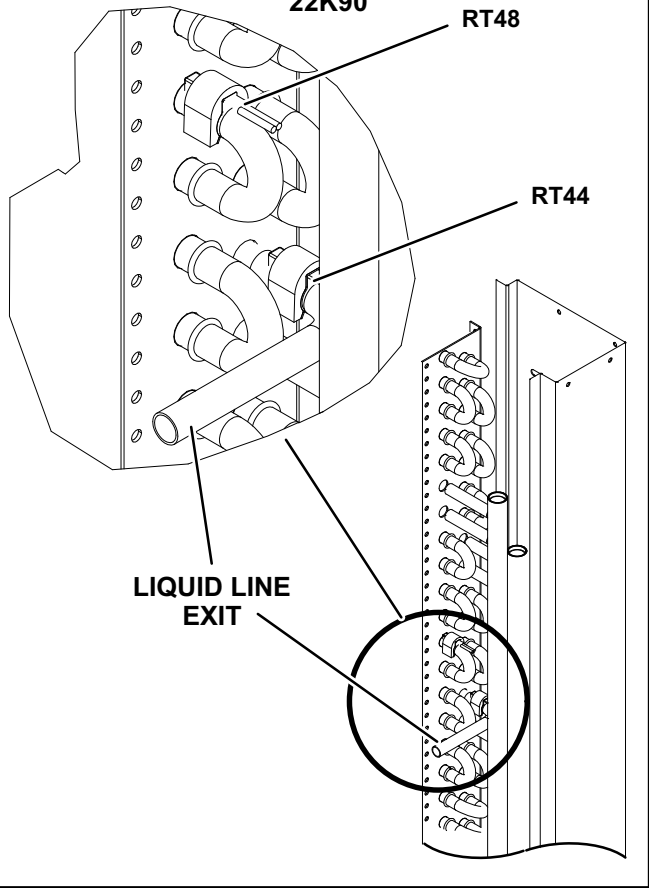


FIGURE 3

THERMISTOR LOCATION RT42, 43, 46, 47
092-150 CONDENSER COIL
(VIEW FROM FRONT SIDE OF UNIT)
22K90

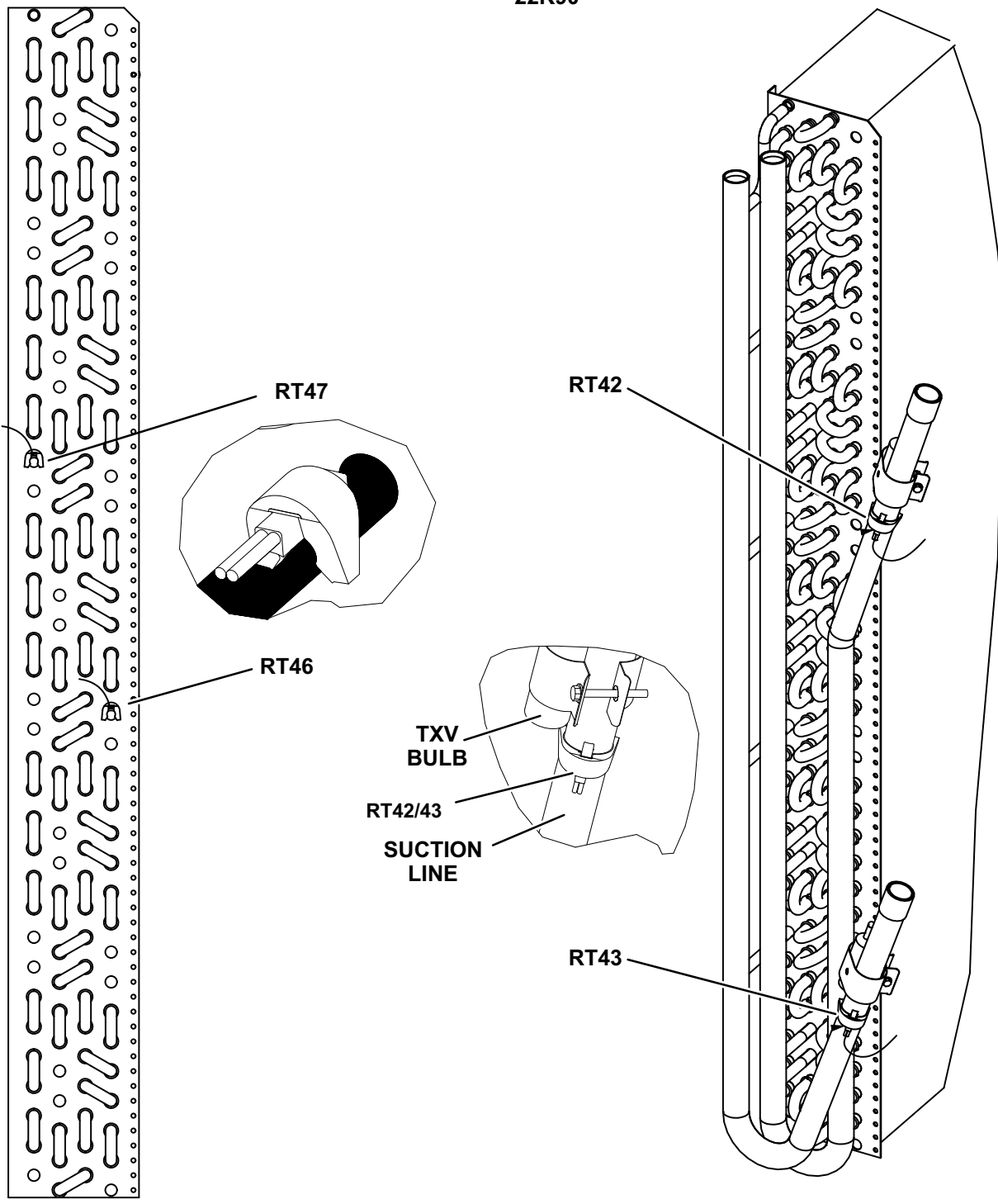


FIGURE 4

THERMISTOR LOCATION RT44 & 45
(VIEW FROM FRONT SIDE OF UNIT)
22K90

092, 102 CONDENSER COIL

120, 150 CONDENSER COIL

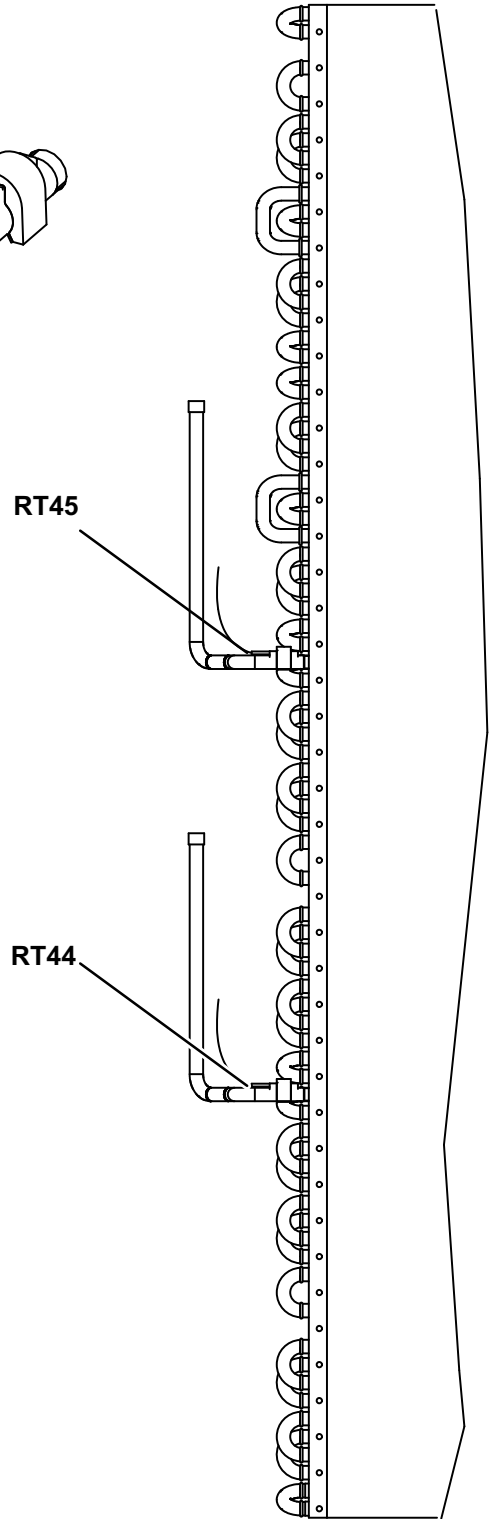
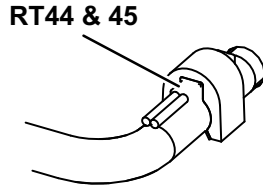
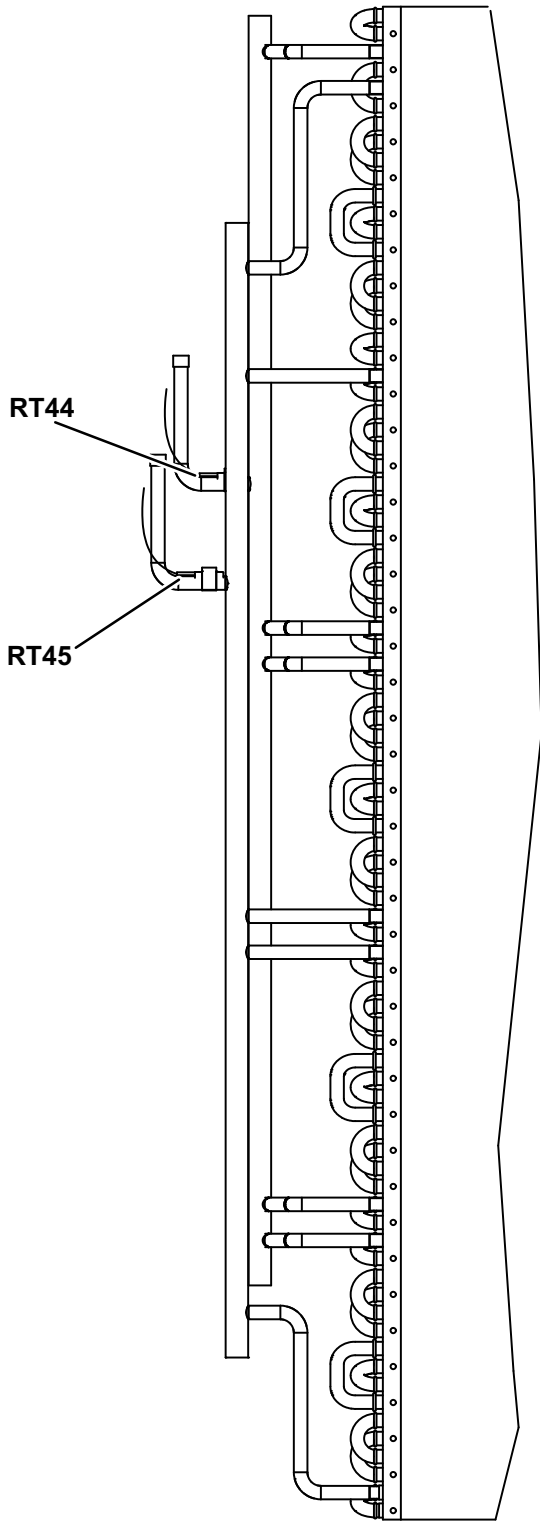


FIGURE 5

**THERMISTOR LOCATION RT48 & 49
(VIEW FROM FRONT SIDE OF UNIT)
22K90**

092, 102 CONDENSER COIL

120, 150 CONDENSER COIL

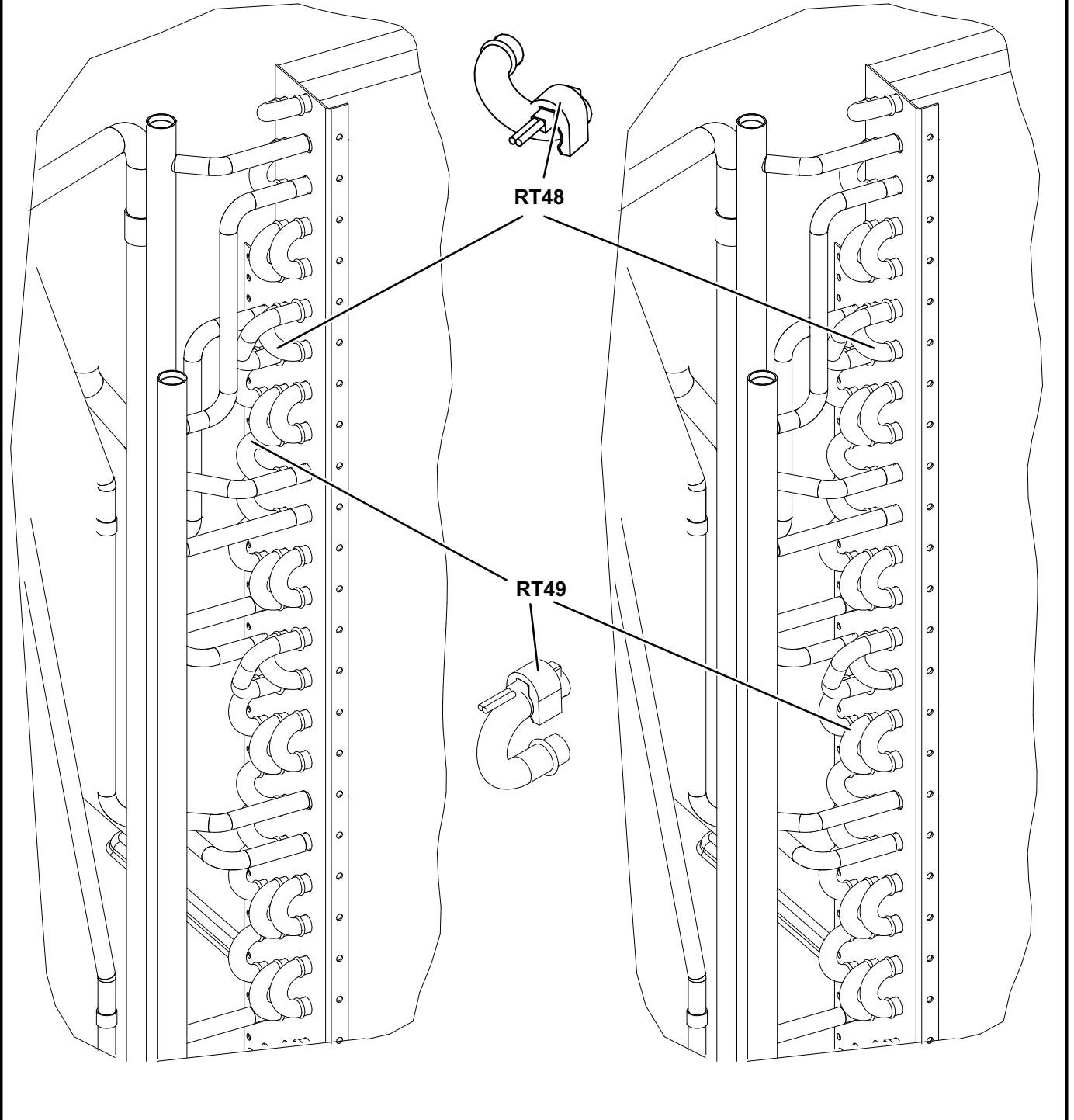


FIGURE 6

**THERMISTOR LOCATION - 156, 180
THREE-ROW EVAPORATOR COIL
(RT42, RT43, RT46, RT47, RT50, RT54)**

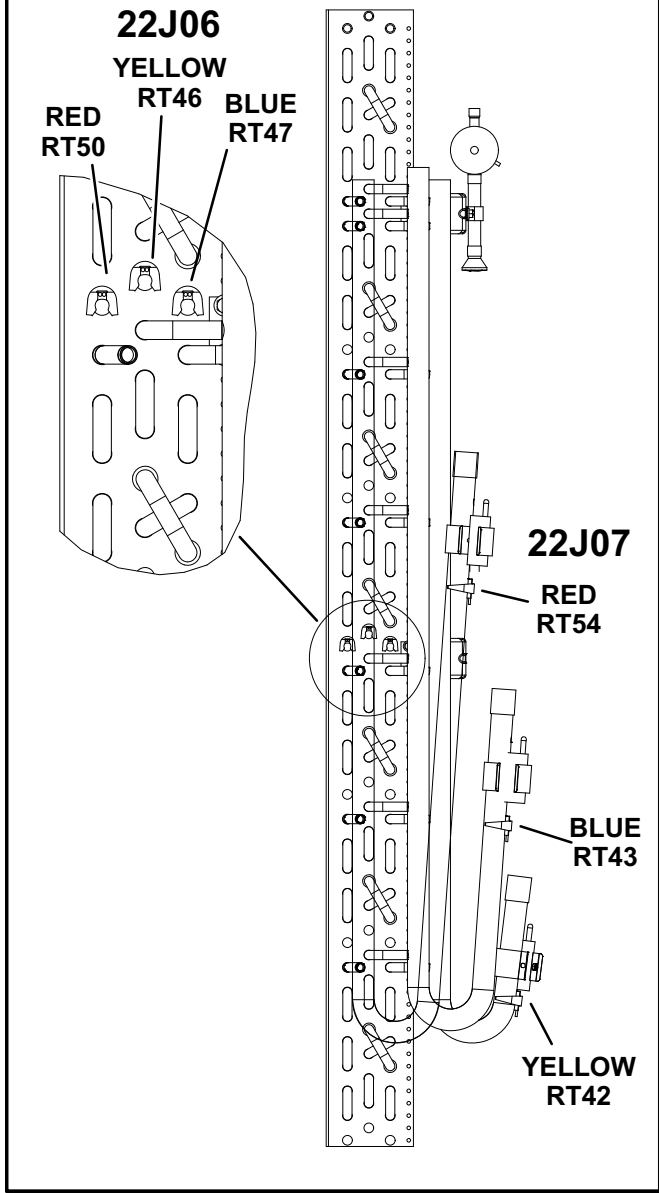


FIGURE 7

**THERMISTOR LOCATION - 210, 240, 300
FOUR-ROW EVAPORATOR COIL
(RT42, RT43, RT46, RT47, RT50, RT51, RT54, RT55)**

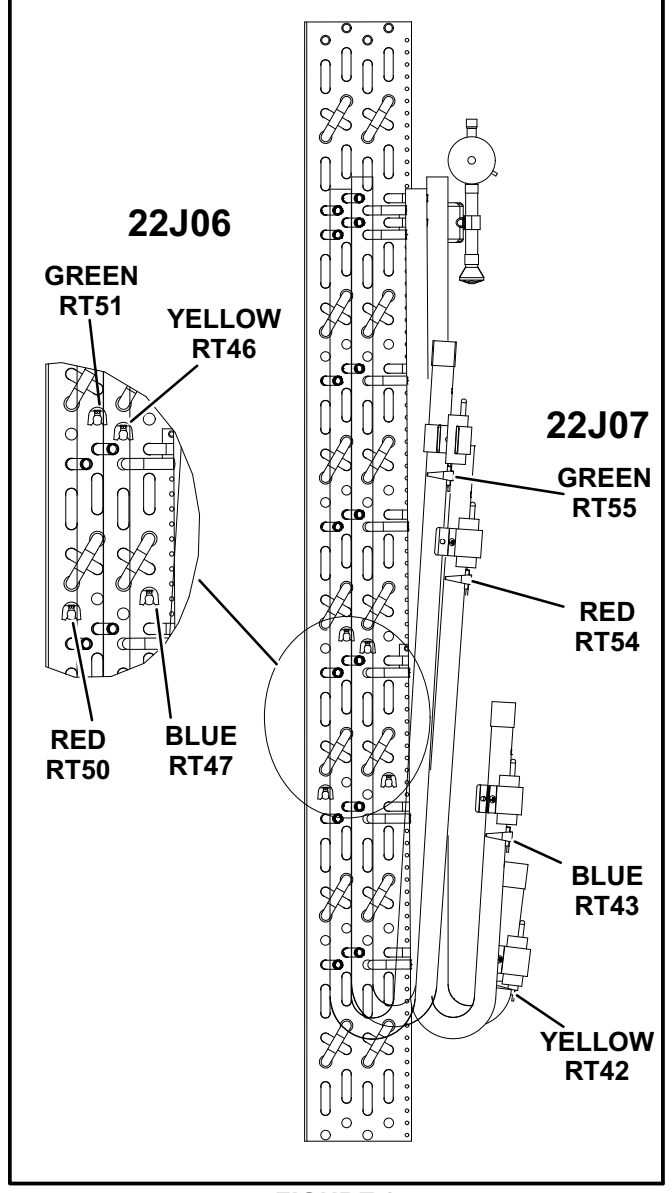


FIGURE 8

THERMISTOR LOCATION - 156, 180
CONDENSOR COIL
(RT44, RT45, RT48, RT49, RT52, RT56)

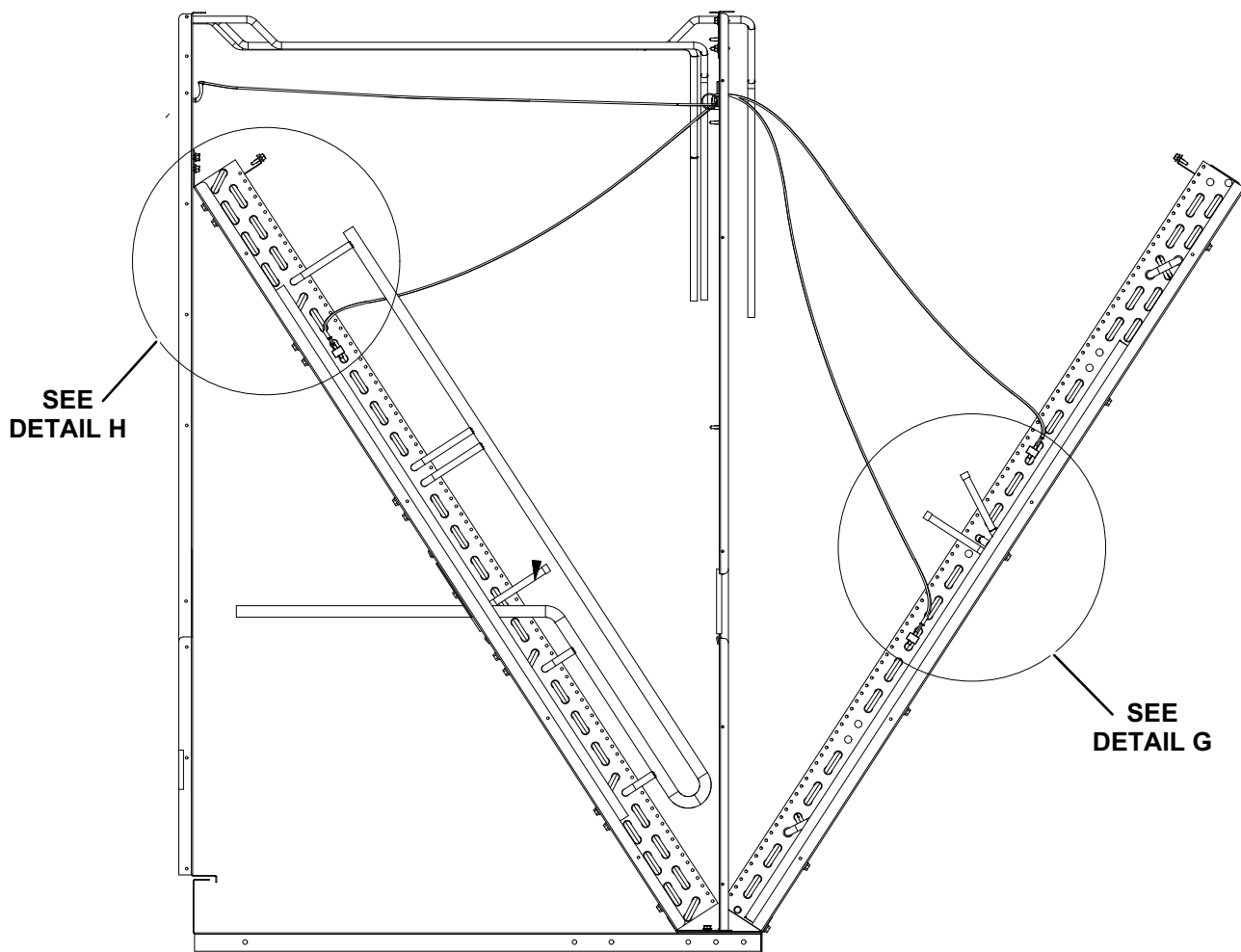
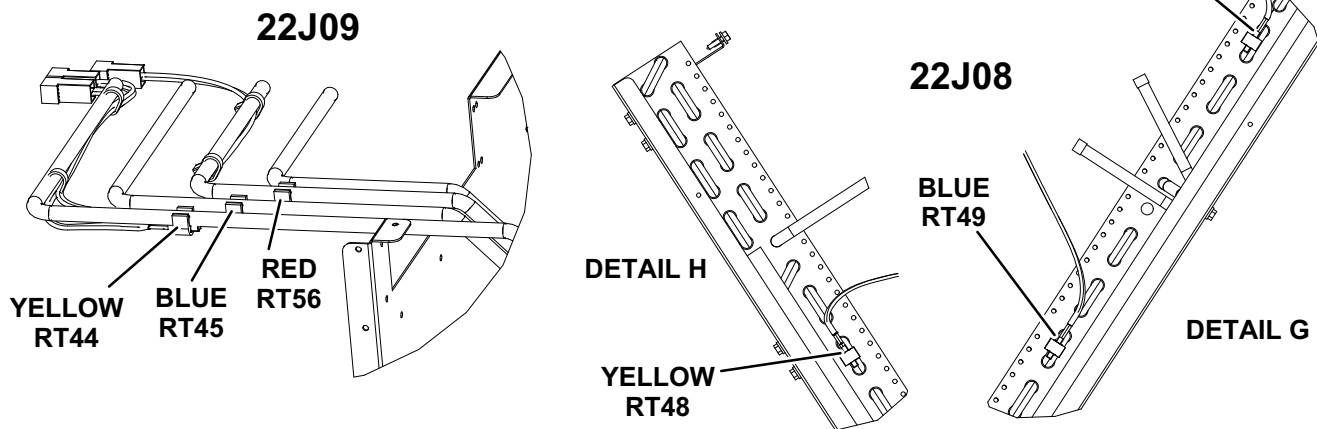


FIGURE 9

**THERMISTOR LOCATION - 210
CONDENSOR COIL
(RT44, RT45, RT48, RT49, RT52, RT53, RT56, RT57)**

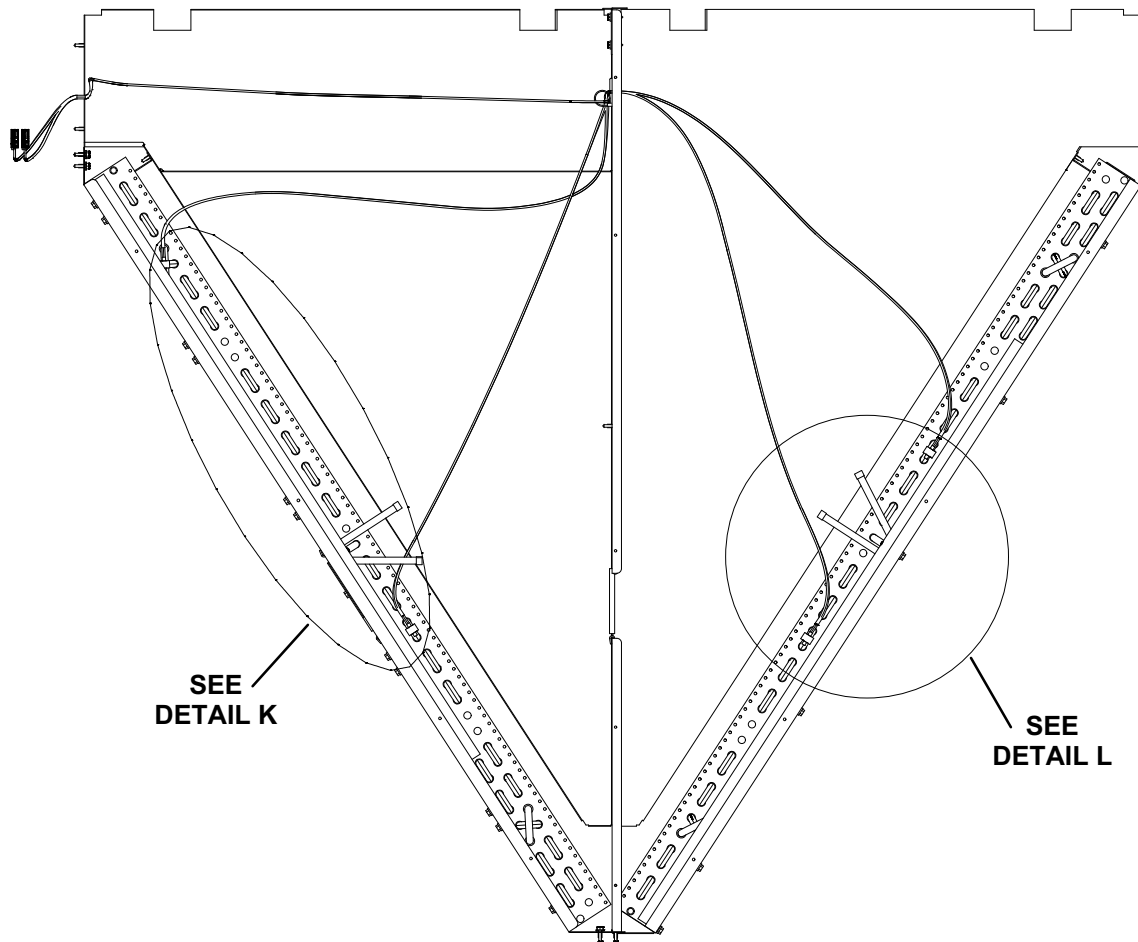
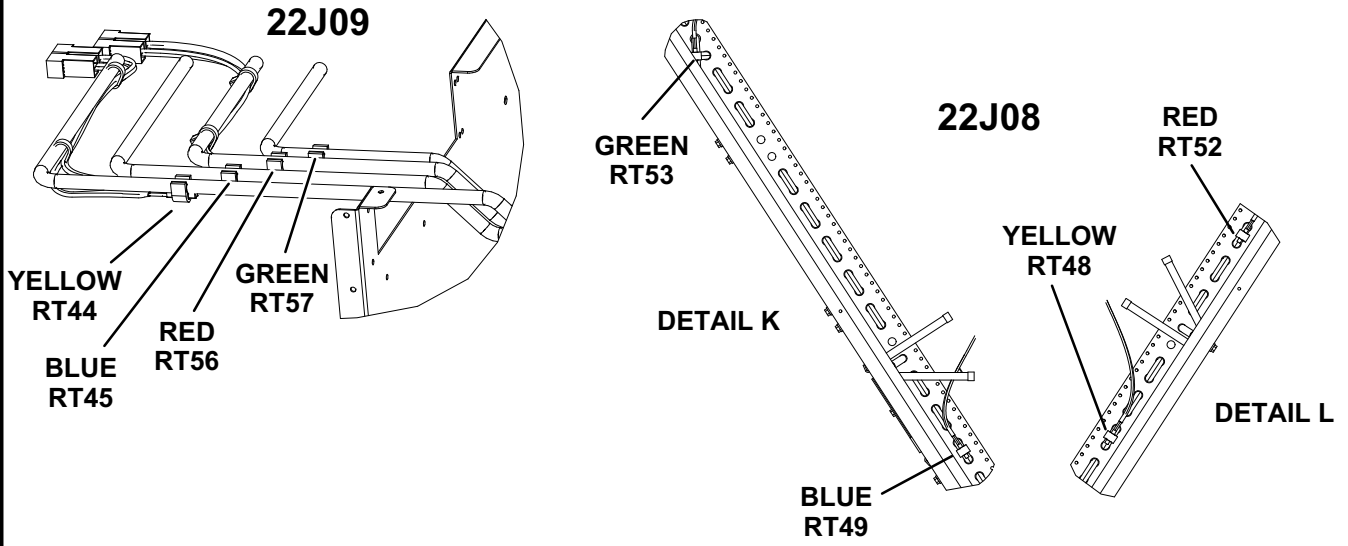
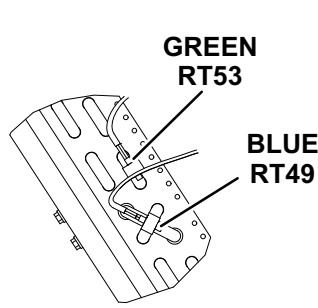
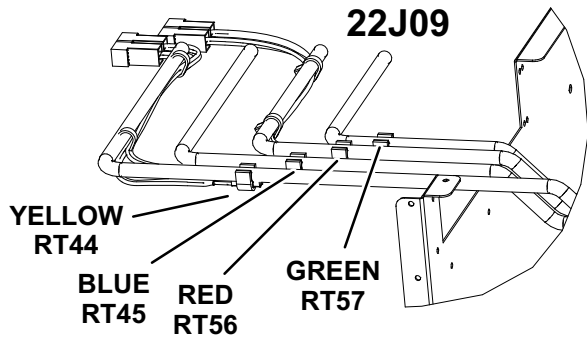


FIGURE 10

**THERMISTOR LOCATION - 240, 300
CONDENSOR COIL
(RT44, RT45, RT48, RT49, RT52, RT53, RT56, RT57)**



DETAIL M

DETAIL N

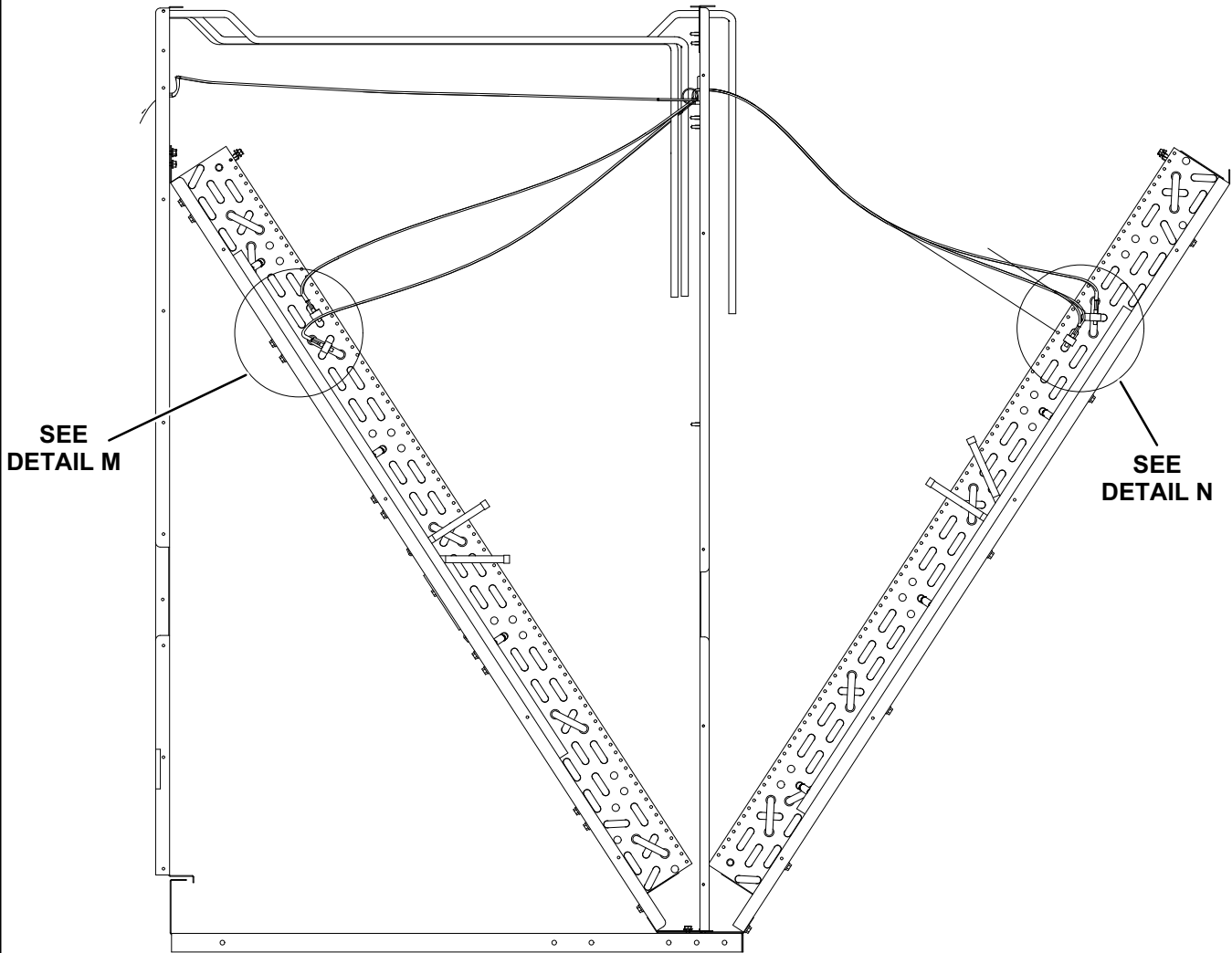


FIGURE 11