

**INSTALLATION INSTRUCTIONS FOR THERMISTOR KITS USED ON
LGM/LCM036-300 PACKAGED UNITS**

Shipping and Packing List

Package 1 of 1 contains:

- 4- Thermistors with wire harnesses

⚠ WARNING

Improper installation, adjustment, alteration, service or maintenance can cause property damage, personal injury or loss of life. Installation and service must be performed by a licensed professional HVAC installer or equivalent, service agency, or the gas supplier

⚠ CAUTION

As with any mechanical equipment, contact with sharp sheet metal edges can result in personal injury. Take care while handling this equipment and wear gloves and protective clothing.

Check packaging for shipping damage. Contact the last carrier immediately if any shipping damage is found.

Application

Units are equipped with factory-installed thermistors located on different points on the refrigerant circuit. The thermistors provide the Unit Controller with constant temperature readings. These temperatures are used as feedback in certain modes of unit operation. In addition, the Unit Controller uses these temperatures to initiate alarms such as loss of condenser or evaporator airflow and loss of charge.

Each thermistor must be specifically placed for proper unit operation and to initiate valid alarms. See table 1 through 6 for proper locations and kit application.

Note - Four thermistors are provided in each kit but not all thermistors are used in each application.

**TABLE 1
036, 048**

Cat. No.	Ass'y. No.	Sensor Yellow	Figure
22J06	623049-01	RT46	Figure 1
22J07	623049-02	RT42	Figure 1
22J08	623049-03	RT48	Figure 3
22J09	623049-04	RT44	Figure 3

**TABLE 2
060, 074**

Cat. No.	Ass'y. No.	Sensor Yellow	Figure
22J06	623049-01	RT46	Figure 2
22J07	623049-02	RT42	Figure 2
22J08	623049-03	RT48	Figure 3
22J09	623049-04	RT44	Figure 3

**TABLE 3
092, 102, 120, 150**

Cat. No.	Ass'y. No.	Sensor Yellow, Blue	Figure
22J06	623049-01	RT46, 47	Figure 4
22J07	623049-02	RT42, 43	Figure 4
22J08	623049-03	RT48, 49	Figure 6
22J09*	623049-04	RT44, 45	Figure 5

**TABLE 4
156, 180**

Cat. No.	Ass'y. No.	Sensor Yel, Blue, Red	Figure
22J06	623049-01	RT46, 47, 50	Figure 7
22J07	623049-02	RT42, 43, 54	Figure 7
22J08	623049-03	RT48, 49, 52	Figure 9
22J09	623049-04	RT44, 45, 56	Figure 9

**TABLE 5
210**

Cat. No.	Ass'y. No.	Sensor Yel, Blu, Red, Grn	Figure
22J06	623049-01	RT46, 47, 50, 51	Figure 8
22J07	623049-02	RT42, 43, 54, 55	Figure 8
22J08	623049-03	RT48, 49, 52, 53	Figure 10
22J09	623049-04	RT44, 45, 56, 57	Figure 10

**TABLE 6
240, 300**

Cat. No.	Ass'y. No.	Sensor Yel, Blu, Red, Grn	Figure
22J06	623049-01	RT46, 47, 50, 51	Figure 8
22J07	623049-02	RT42, 43, 54, 55	Figure 8
22J08	623049-03	RT48, 49, 52, 53,	Figure 11
22J09	623049-04	RT44, 45, 56, 57	Figure 11



**THERMISTOR LOCATION RT42 & 46
036 & 048 THREE-ROW EVAPORATOR COIL
(VIEW FROM FRONT SIDE OF UNIT)**

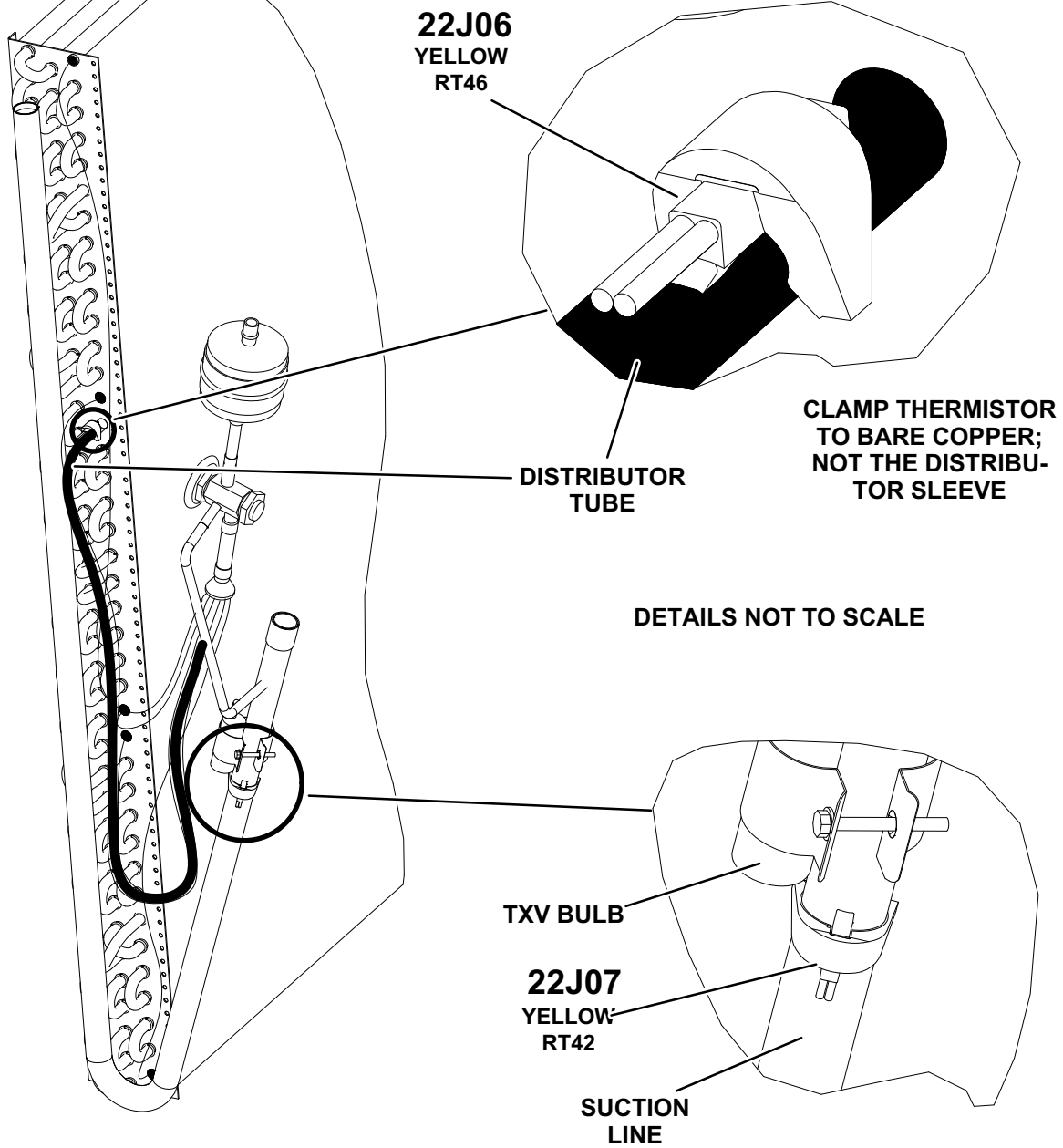


FIGURE 1

**THERMISTOR LOCATION RT42 & 46
060 & 074 FOUR-ROW EVAPORATOR COIL
(VIEW FROM FRONT SIDE OF UNIT)**

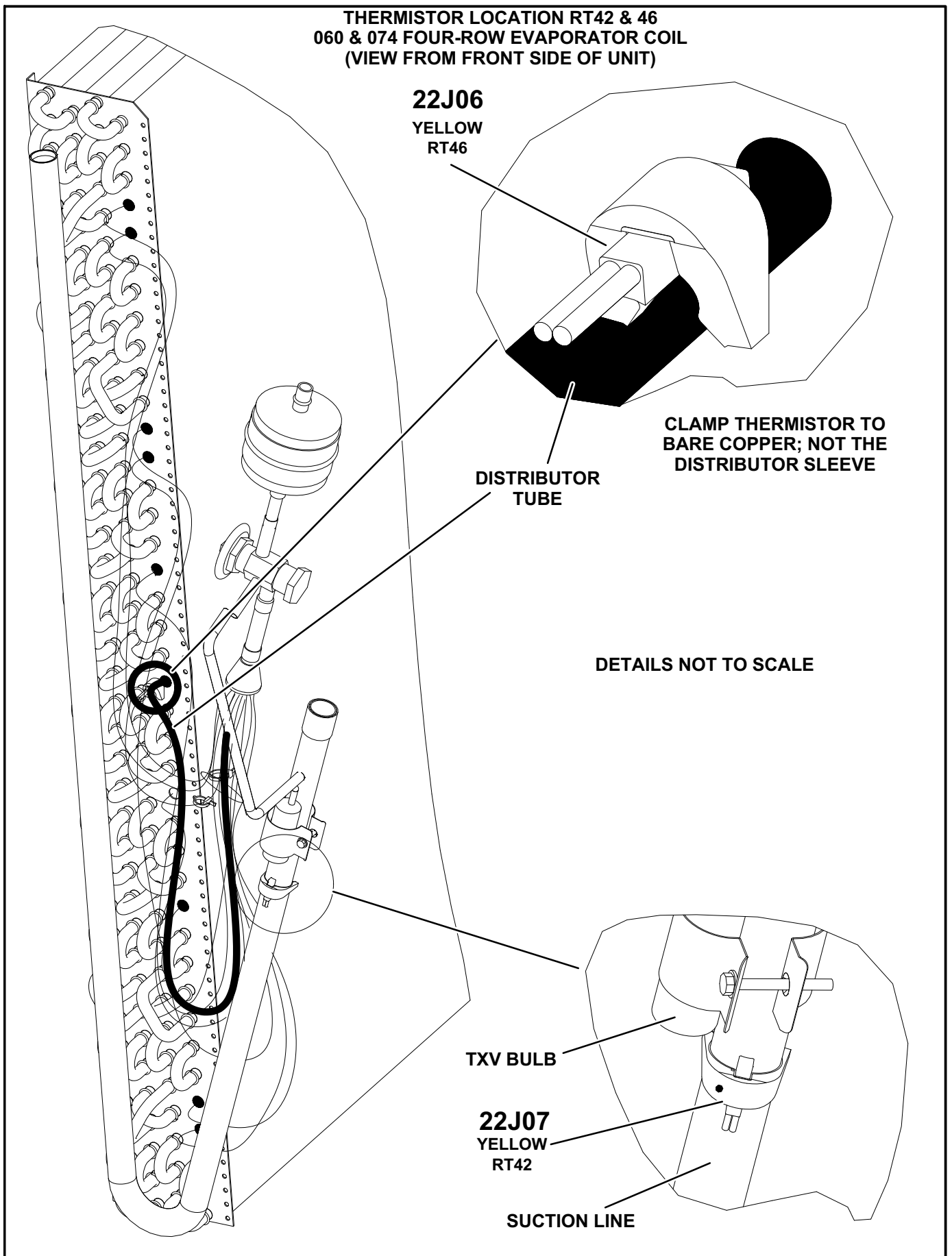


FIGURE 2

**THERMISTOR LOCATION RT44 & RT48
036, 048, 060, 074 CONDENSER COIL
(VIEW FROM FRONT SIDE OF UNIT)**

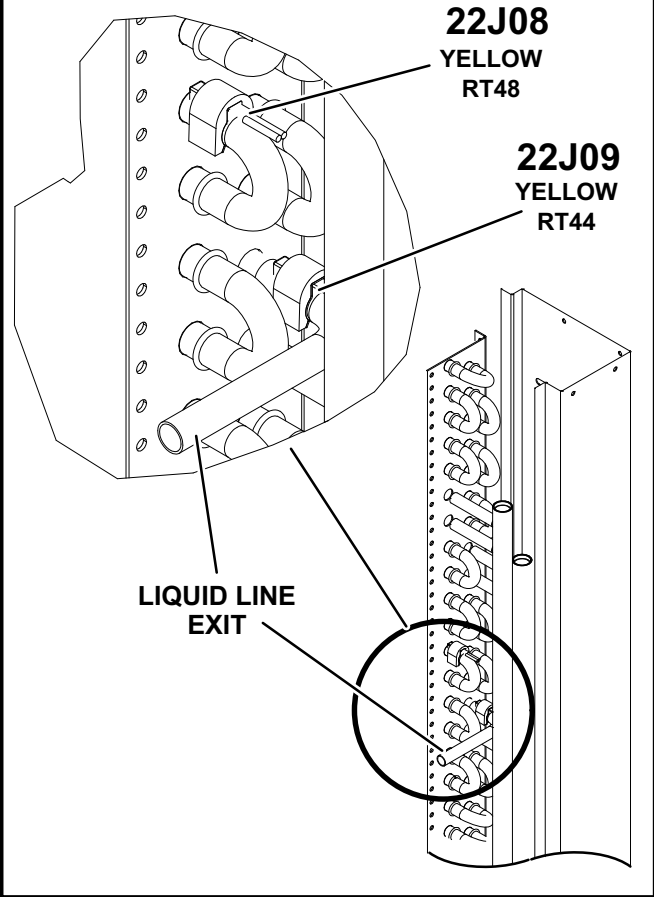


FIGURE 3

**THERMISTOR LOCATION RT42, 43, 46, 47
092-150 CONDENSER COIL
(VIEW FROM FRONT SIDE OF UNIT)**

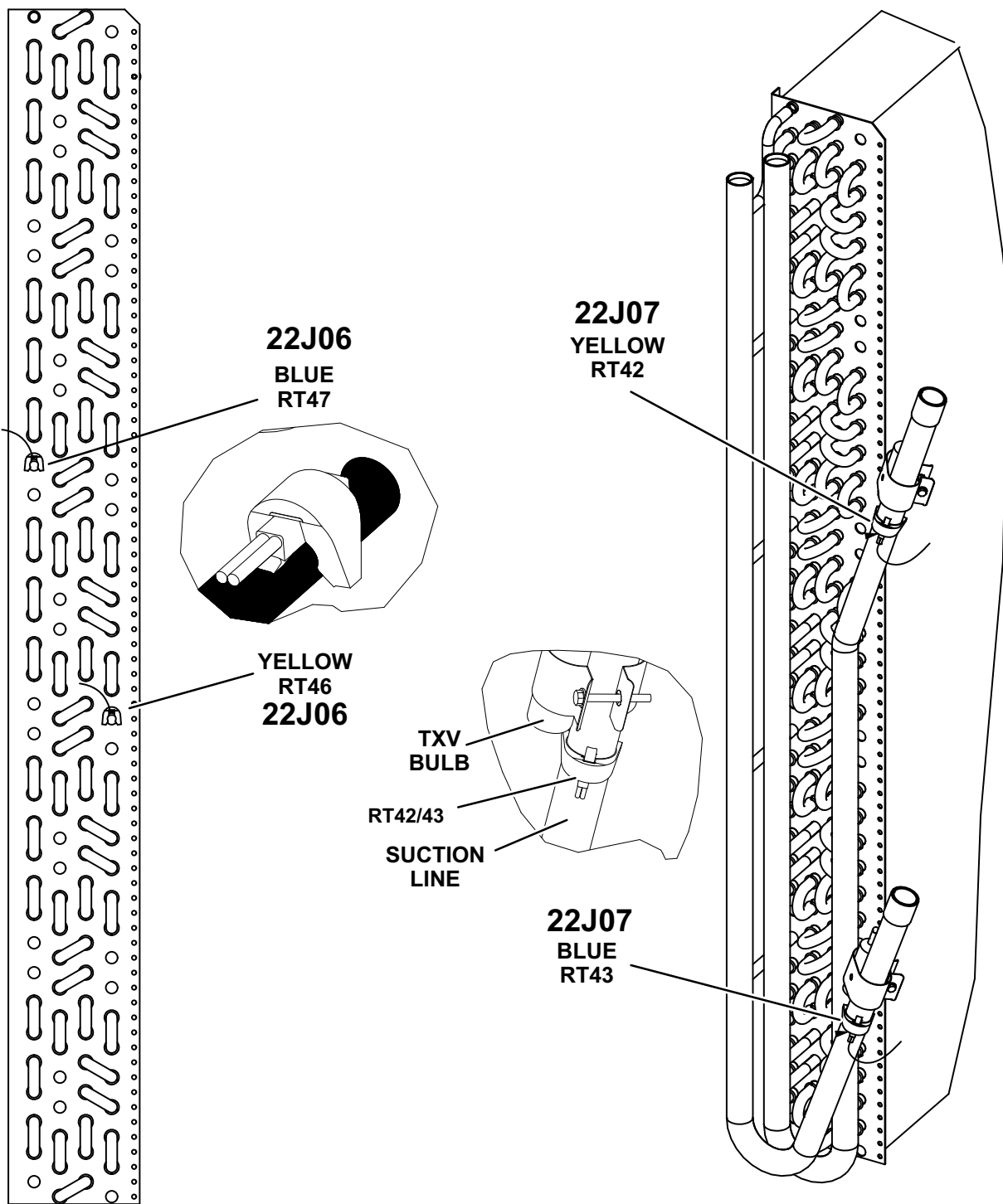


FIGURE 4

**THERMISTOR LOCATION RT44 & 45
(VIEW FROM FRONT SIDE OF UNIT)**

092, 102 CONDENSER COIL

120, 150 CONDENSER COIL

**22J09
YELLOW
RT44**

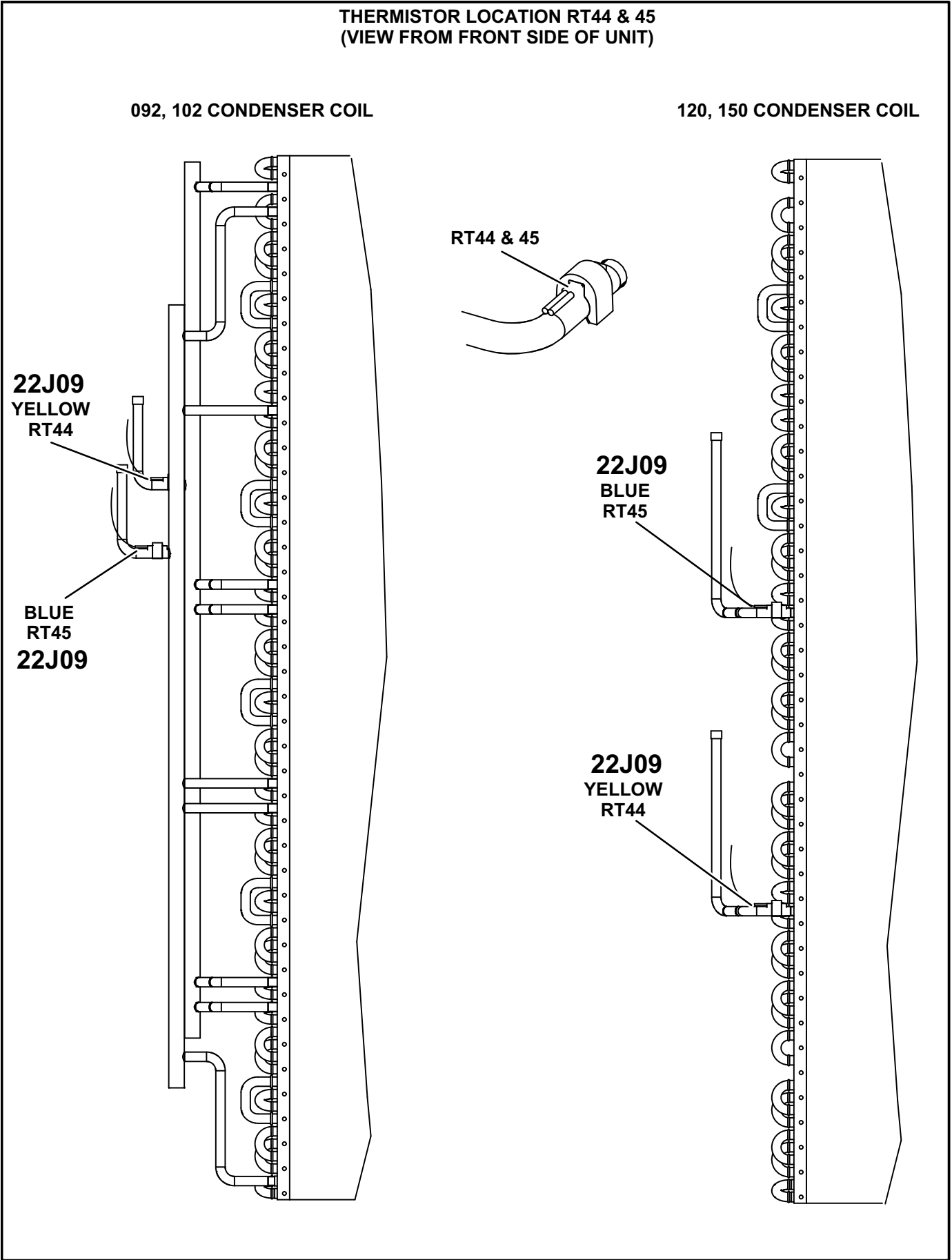
**BLUE
RT45
22J09**

RT44 & 45

**22J09
BLUE
RT45**

**22J09
YELLOW
RT44**

FIGURE 5



**THERMISTOR LOCATION RT48 & 49
(VIEW FROM FRONT SIDE OF UNIT)**

092, 102 CONDENSER COIL

120, 150 CONDENSER COIL

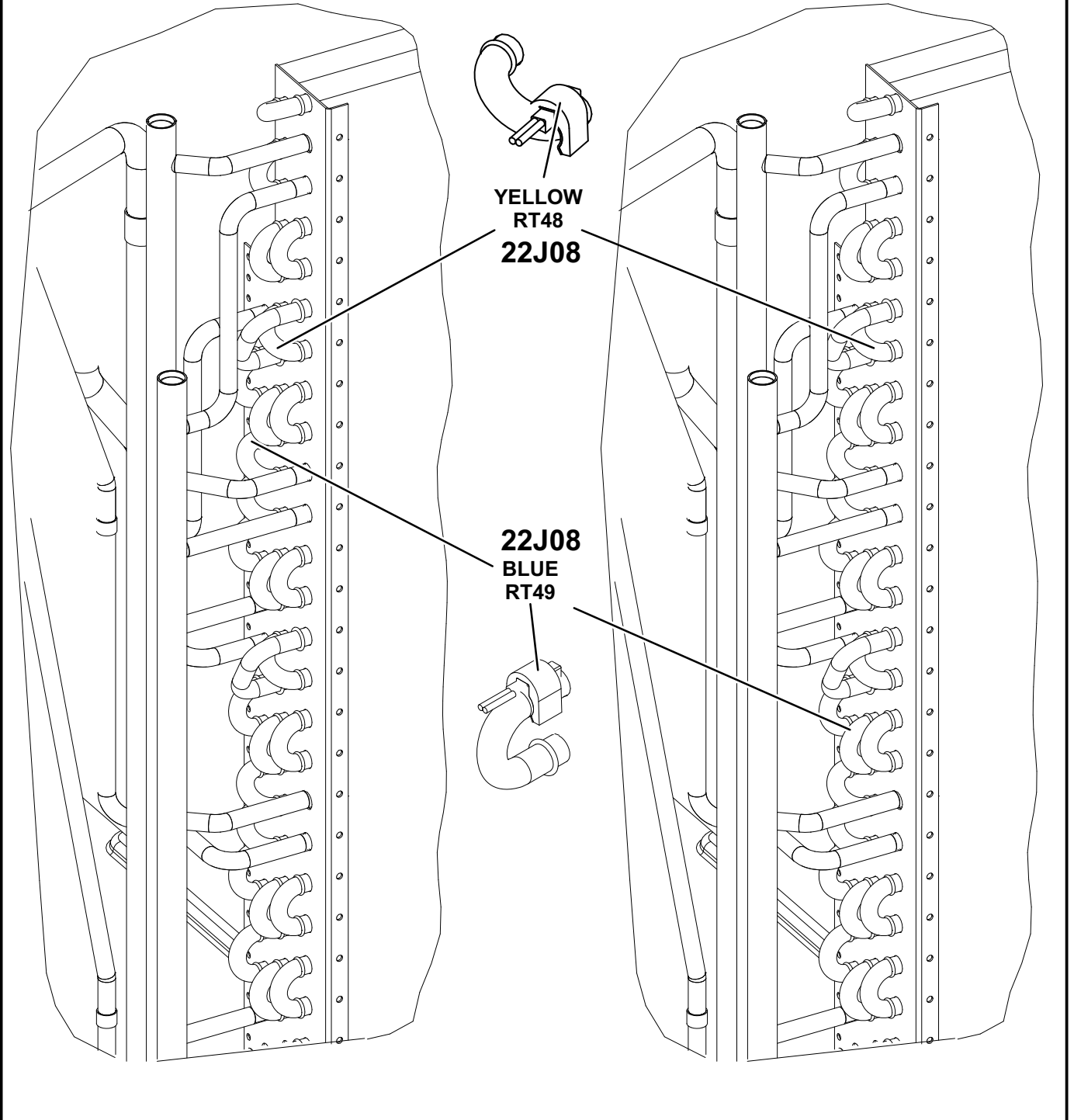


FIGURE 6

**THERMISTOR LOCATION - 156, 180
THREE-ROW EVAPORATOR COIL
(RT42, RT43, RT46, RT47, RT50, RT54)**

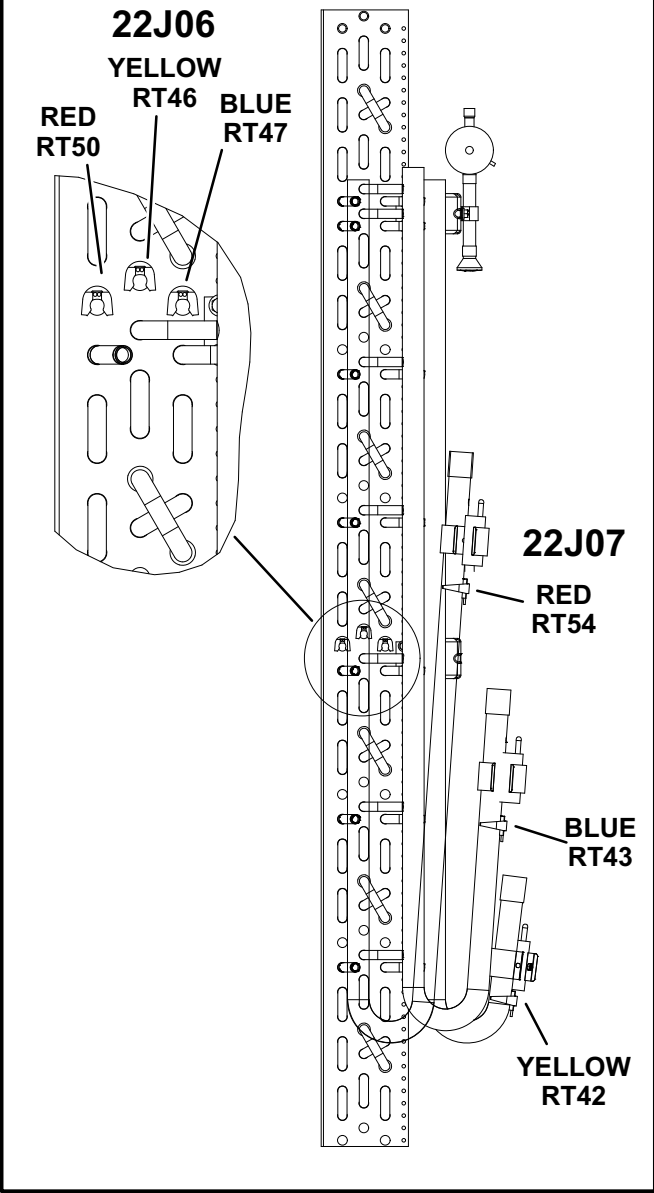


FIGURE 7

**THERMISTOR LOCATION - 210, 240, 300
FOUR-ROW EVAPORATOR COIL
(RT42, RT43, RT46, RT47, RT50, RT51, RT54, RT55)**

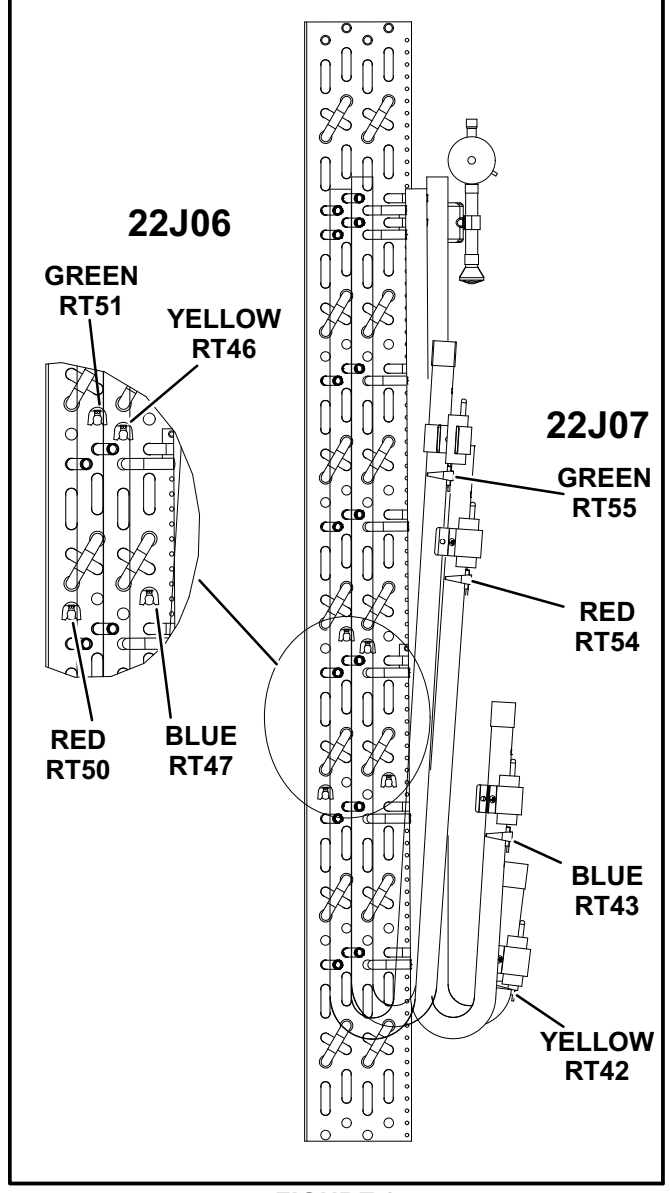


FIGURE 8

**THERMISTOR LOCATION - 156, 180
CONDENSOR COIL
(RT44, RT45, RT48, RT49, RT52, RT56)**

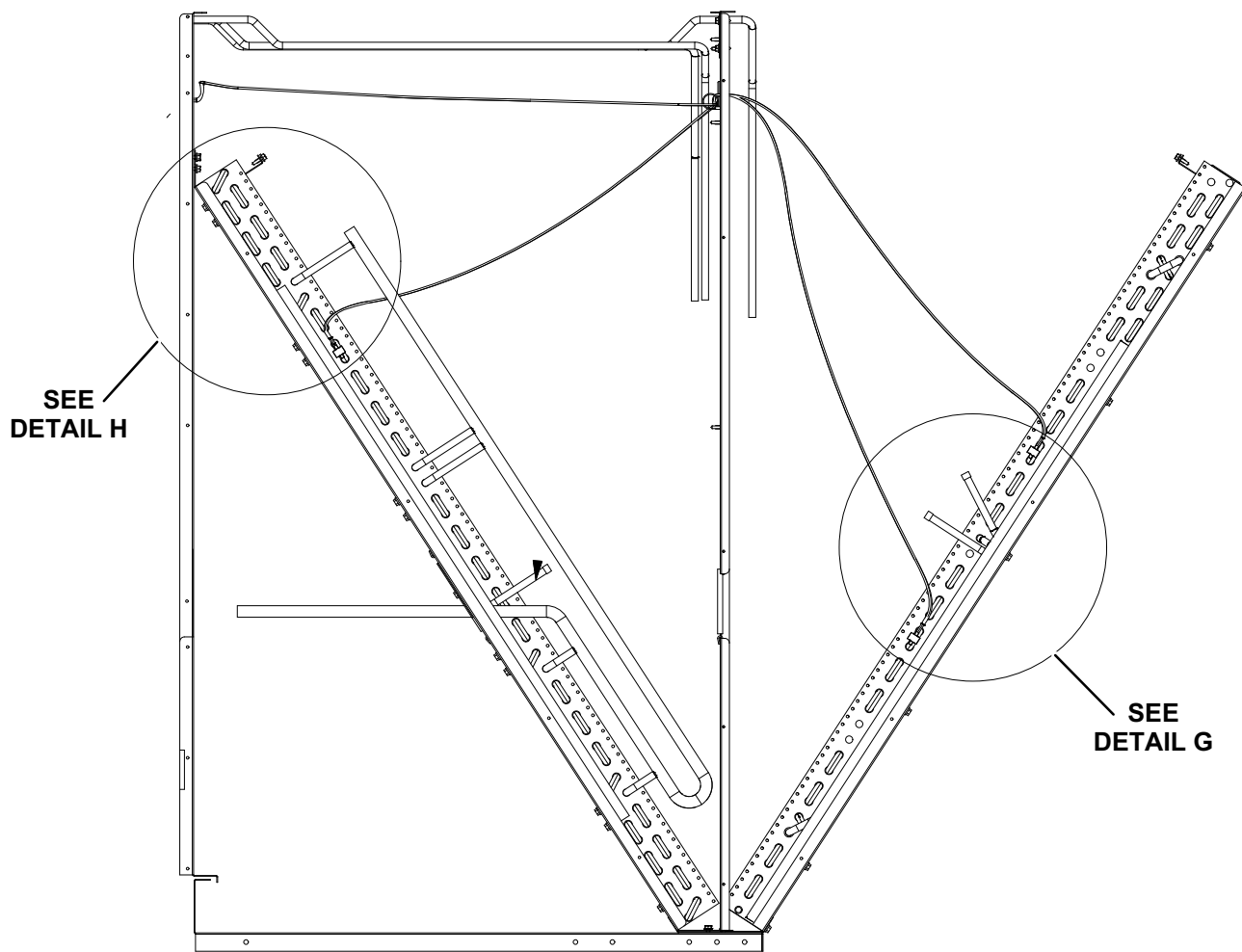
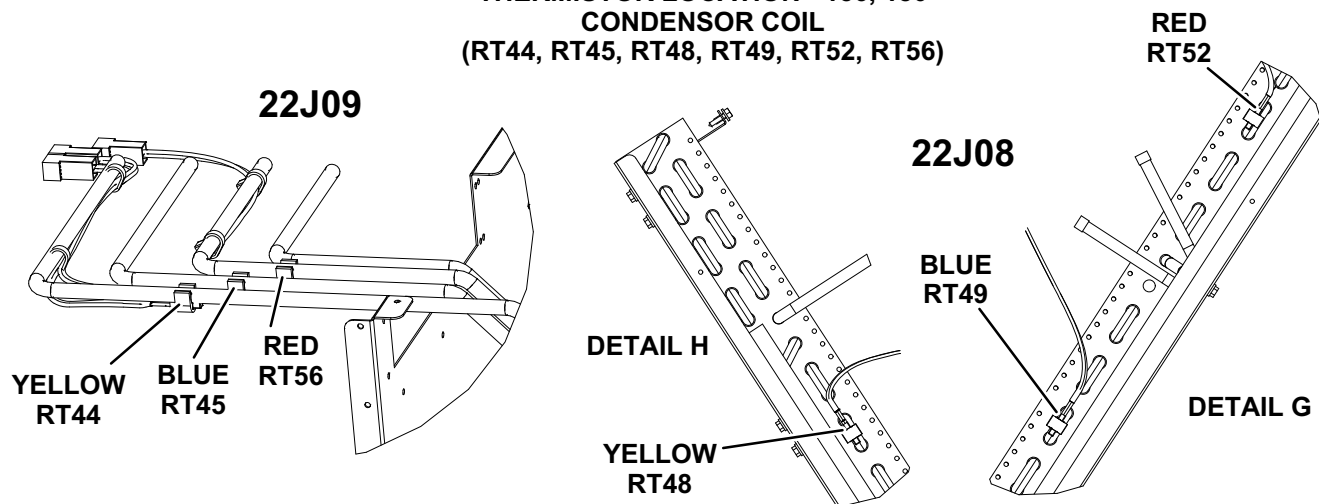


FIGURE 9

**THERMISTOR LOCATION - 210
CONDENSOR COIL
(RT44, RT45, RT48, RT49, RT52, RT53, RT56, RT57)**

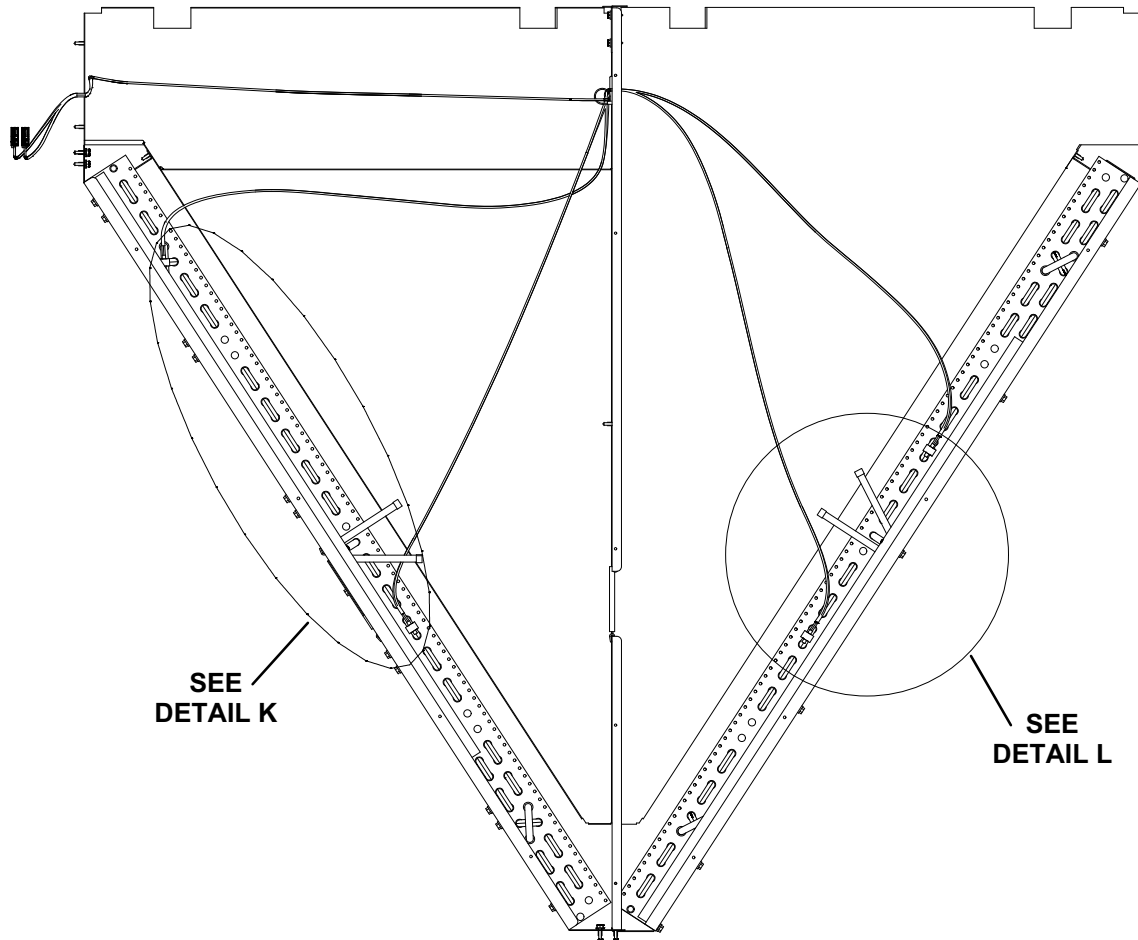
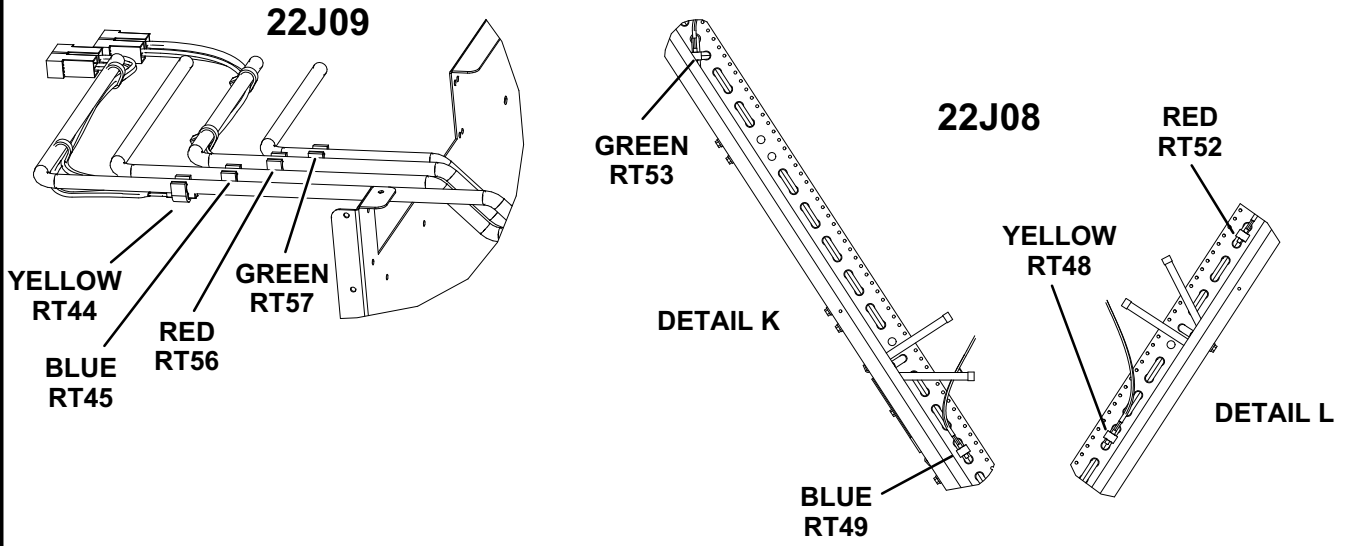
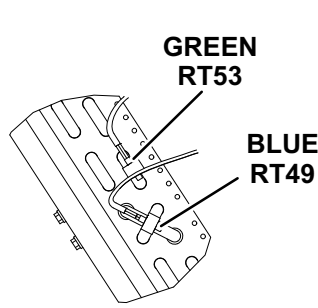
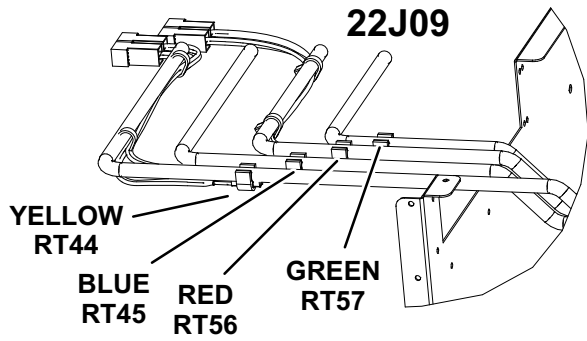


FIGURE 10

**THERMISTOR LOCATION - 240, 300
CONDENSOR COIL
(RT44, RT45, RT48, RT49, RT52, RT53, RT56, RT57)**



DETAIL M

DETAIL N

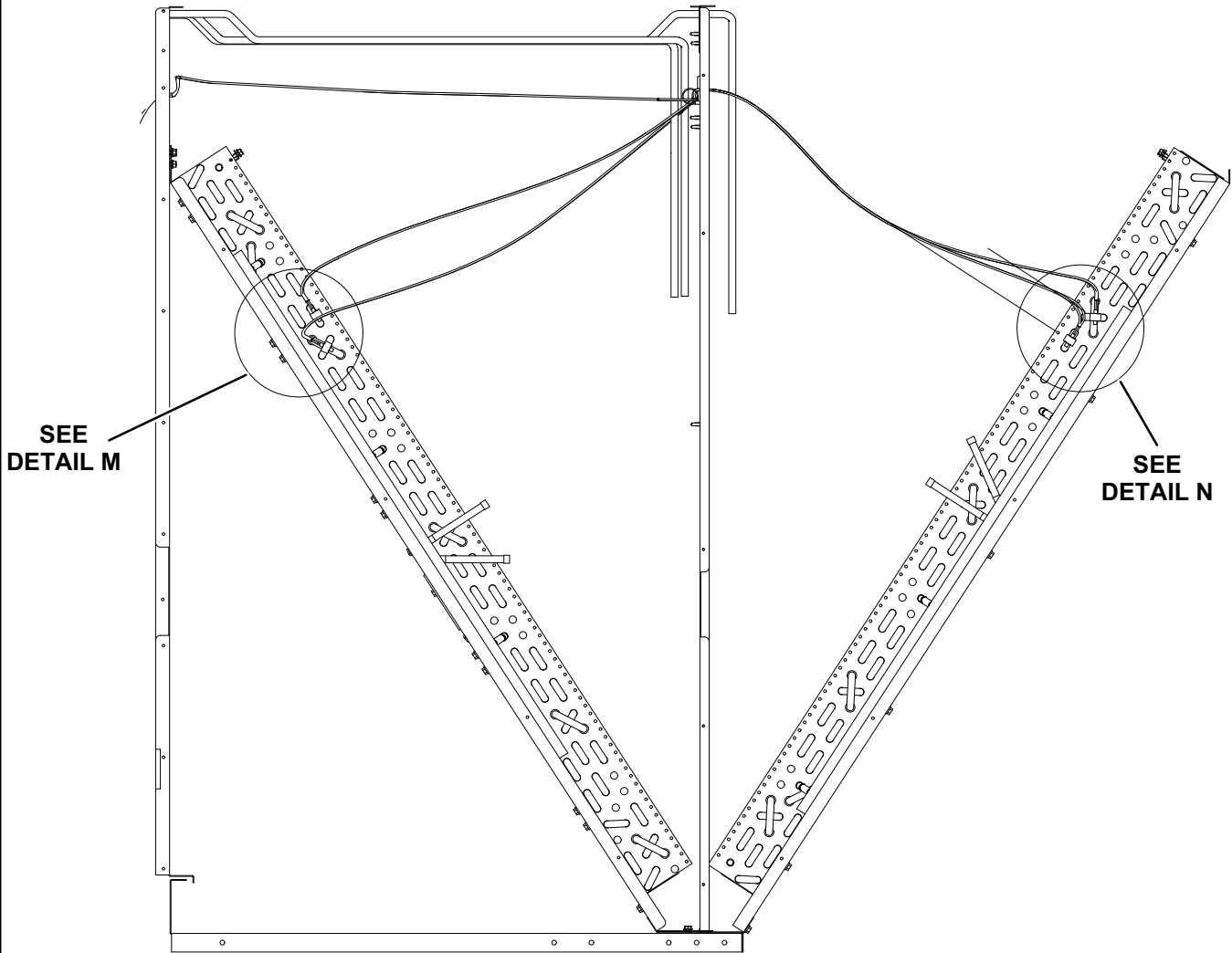


FIGURE 11