

**INSTALLATION INSTRUCTIONS FOR COLD WEATHER KIT  
USED ON LGM092-150 GAS PACKAGED UNITS**

**⚠ WARNING**

**Improper installation, adjustment, alteration, service or maintenance can cause property damage, personal injury or loss of life. Installation and service must be performed by a licensed professional HVAC installer or equivalent, service agency, or the gas supplier**

**⚠ CAUTION**

**As with any mechanical equipment, contact with sharp sheet metal edges can result in personal injury. Take care while handling this equipment and wear gloves and protective clothing.**

**Shipping and Packing List**

**Package 1 of 1 contains:**

- 1- Heater assembly
- 4- Wire harnesses

**Bag assembly containing:**

- 9-#8 Screws
- 1-Relay
- 1-Wire tie

**Application**

The cold weather kit heats the gas heat compartment to allow gas valve operation during low outdoor temperatures. See table 1 for usage.

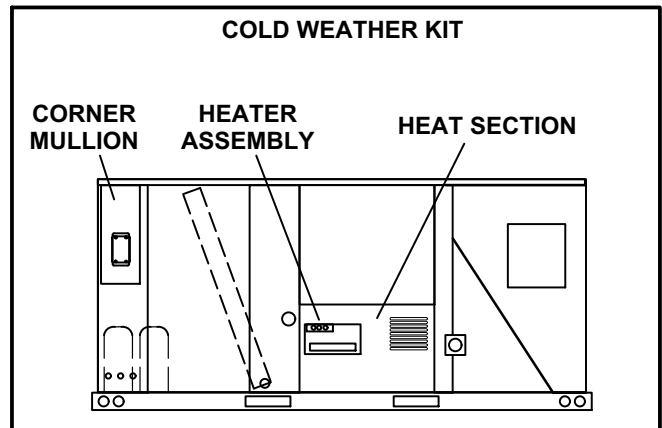
**TABLE 1**

Unit Voltage	Part No.	Cat. No.
Y	613930-07	22A51
G, M	613930-08	22A55
J	613930-09	22A57

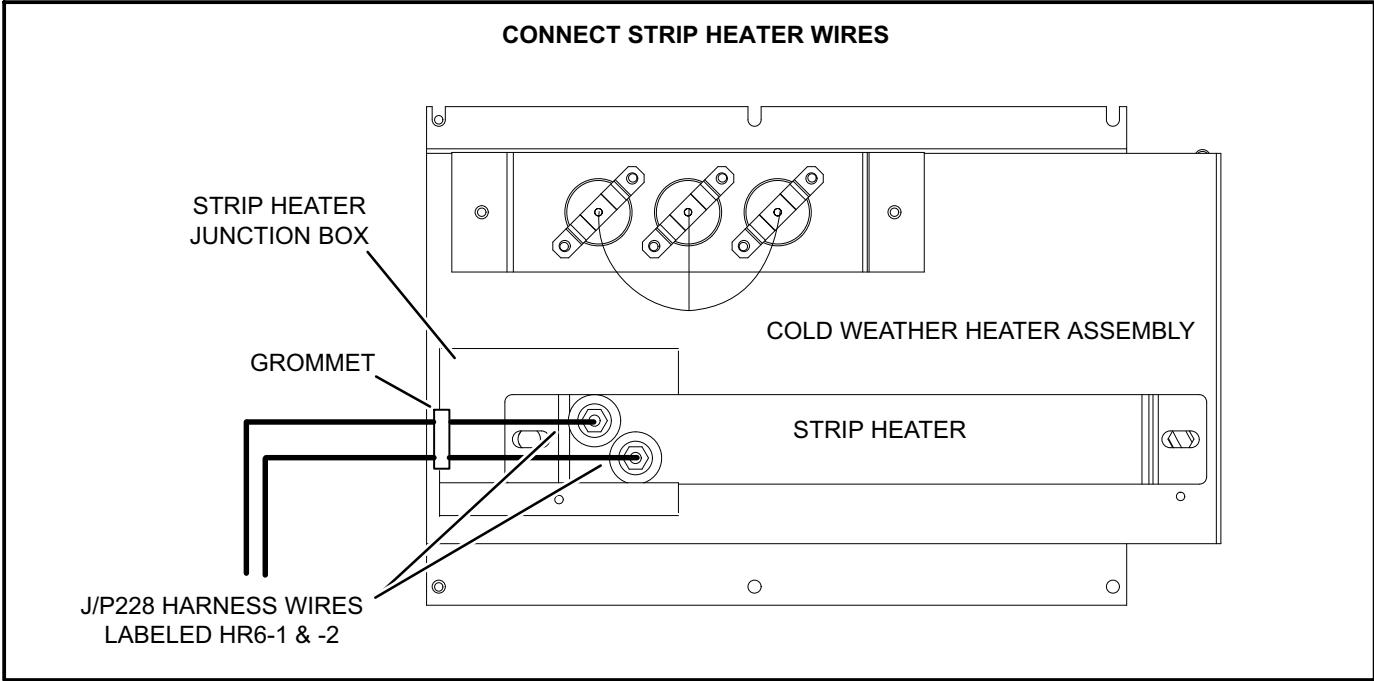
**Installation**

- 1- Disconnect all power to unit and open heat access panel. See figure 1.

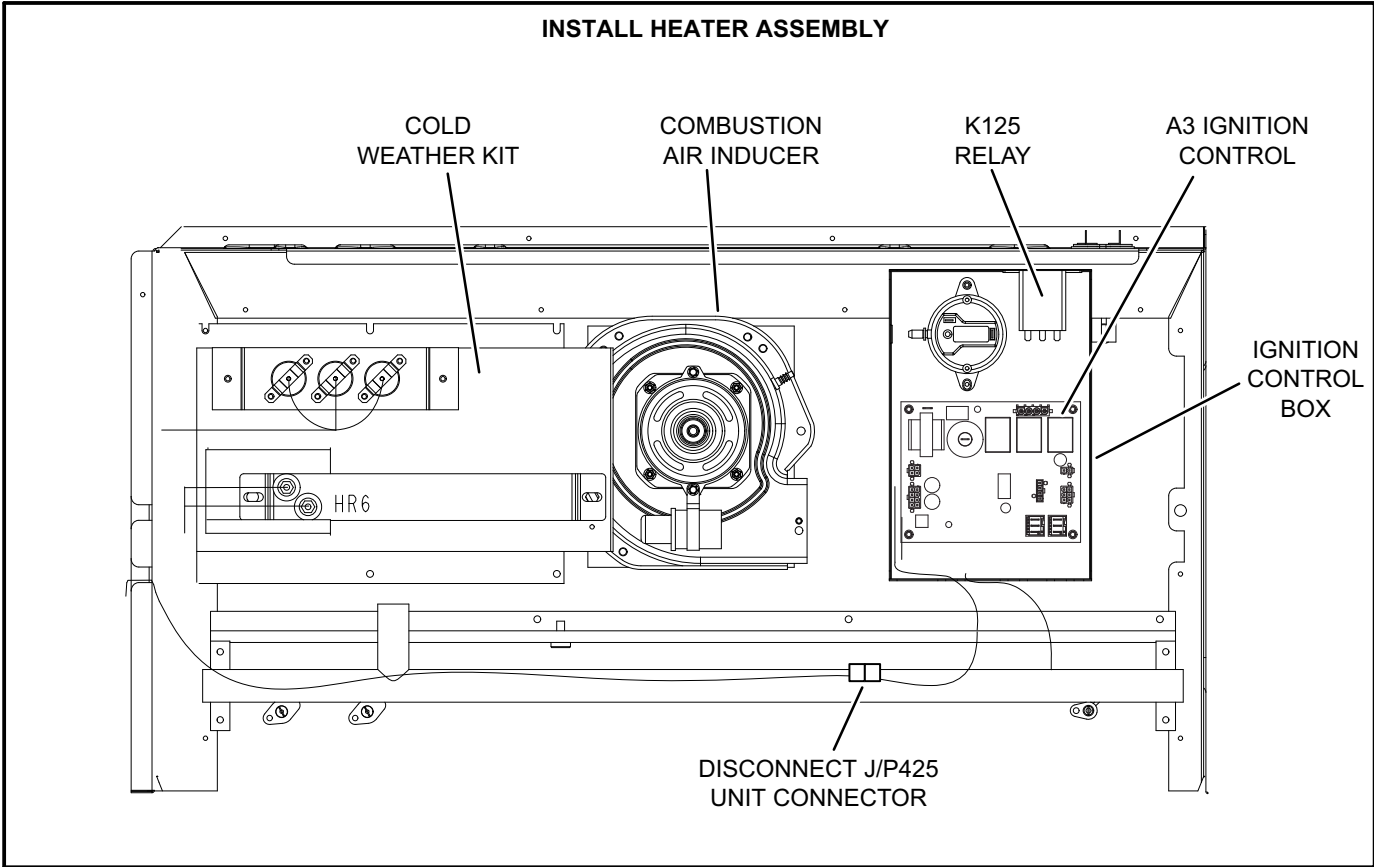
- 2- Discard harnesses labeled 604954-01 and 604956-01. Locate the kit power harness which has two 2-pin connectors labeled J/P228.
- 3- Remove strip heater junction box cover. Route two power harness wires labeled HR6 through the junction box side grommet and connect to the strip heater terminals. See figure 2. Replace junction box cover.
- 4- Install heater assembly in heat section as shown in figure 3. Use existing screws.
- 5- Remove ignition control cover and install K125 as shown in figure 3. Secure with #8 screws provided in kit.
- 6- Disconnect unit J/P425 connectors. See figure 3. Connect power harness J/P228 to J/P425. See figure 4.
- 7- Route remaining power harness wires labeled K125-4, -6, -7, -9 through the grommets in the bottom of the ignition control box. Connect to appropriate terminals.
- 8- Locate kit control harness that has a 6-pin, 4-wire connector labeled P229. Connect P229 to J229 cold weather kit harness. See figure 5.
- 9- Route the other end of the P229 harness to the heat section and make wire connections. See figure 6.



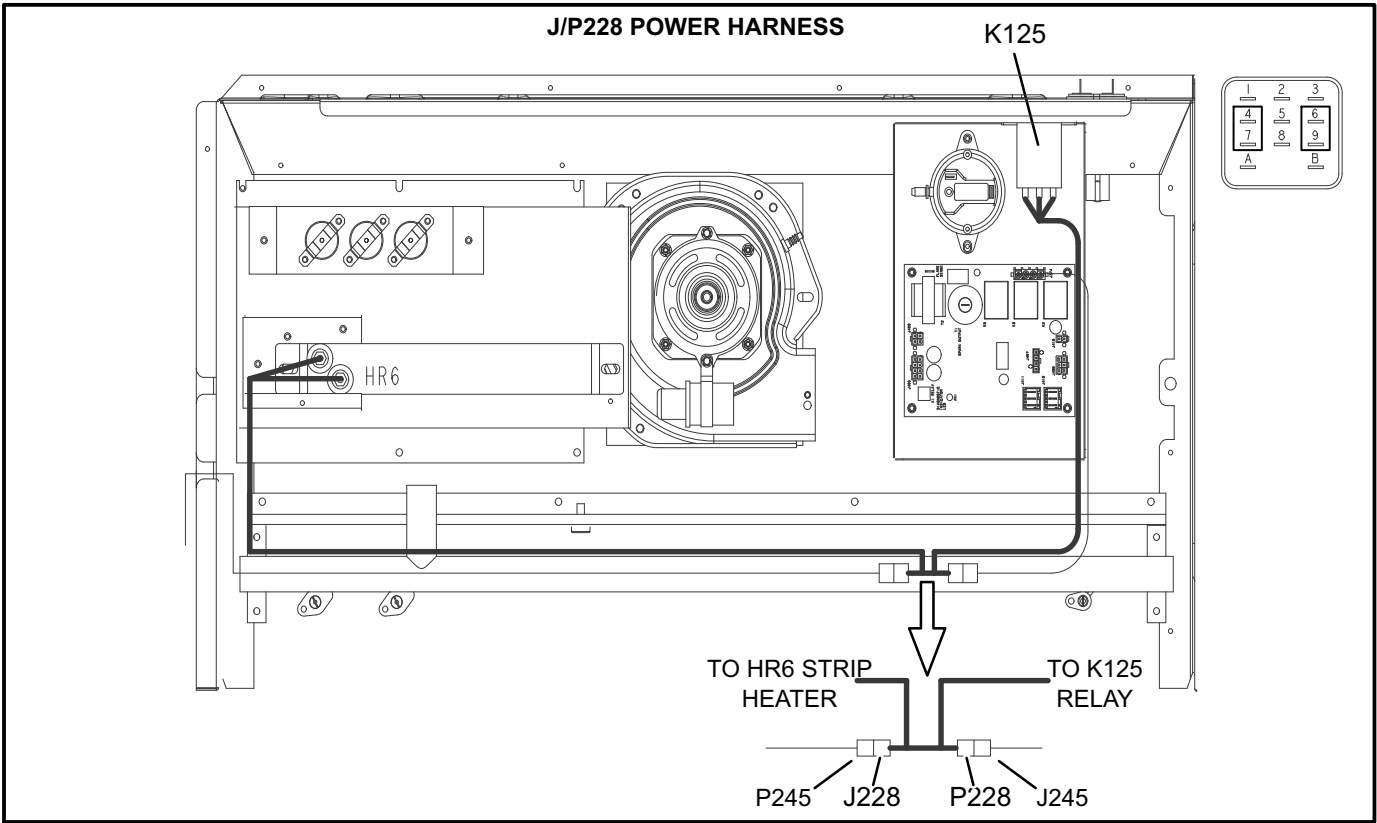
**FIGURE 1**



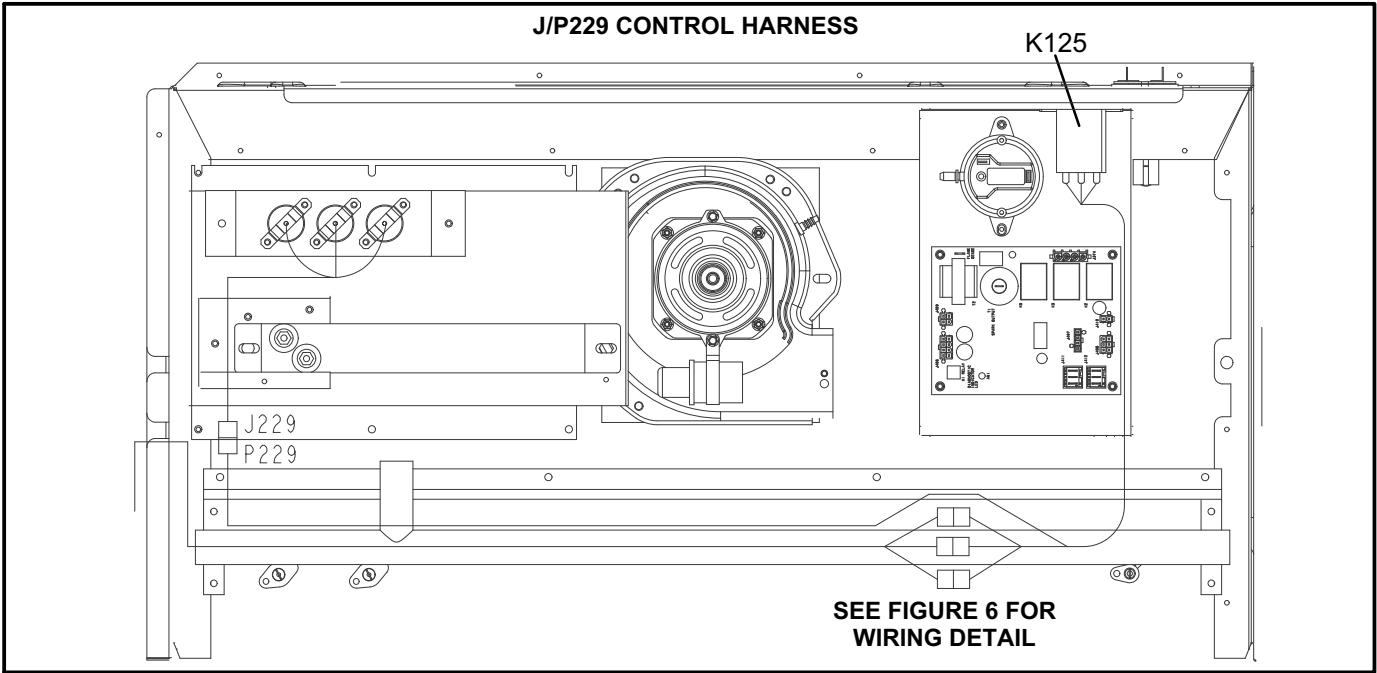
**FIGURE 2**



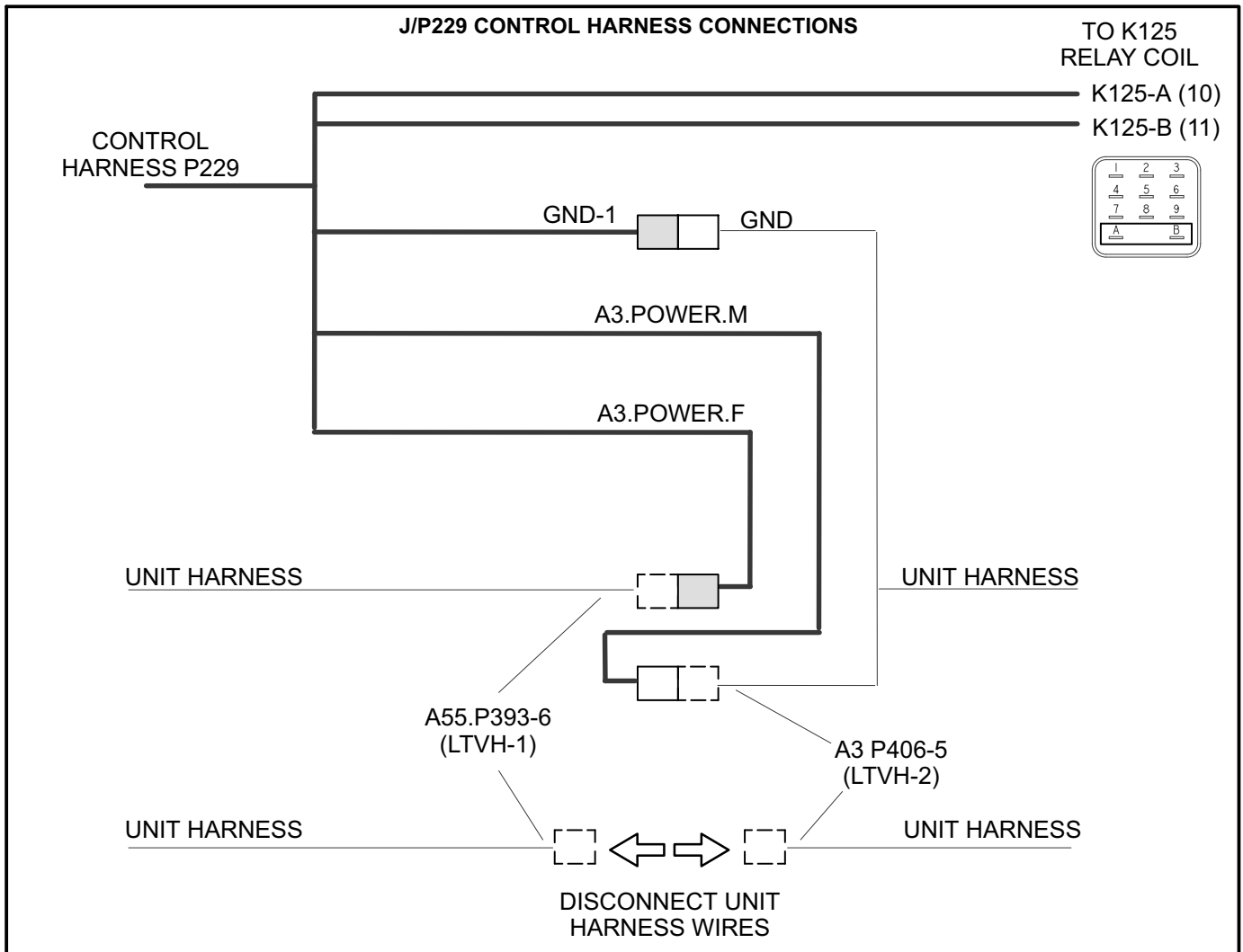
**FIGURE 3**



**FIGURE 4**



**FIGURE 5**



**FIGURE 6**

**Operation**

When ambient temperature drops below 20°F (-7°C), S61 closes. When ambient temperature drops below -10°F (-23°C), S60 closes to energize K125 and bring on HR6 heater.

When ambient temperature rises to 20°F (-7°C), S60 opens to de-energize HR6 heater.

When ambient temperature drops below -20°F (-29°C), S59 opens to disable GV1 gas valve. S59 closes to allow heating when temperature rises to 10°F (-12°C).