

GAS UNITS KITS & ACCESSORIES

508203-01
07/2021

REPLACEMENT SUPPLY AIR BLOWER KITS

INSTALLATION INSTRUCTIONS FOR REPLACEMENT SUPPLY AIR BLOWER KITS (22P66 and 22P67) USED WITH 80% ULTRA LOW NOX FURNACES

⚠ WARNING

Improper installation, adjustment, alteration, service or maintenance can cause property damage, personal injury or loss of life. Installation and service must be performed by a licensed professional HVAC installer or equivalent, service agency, or the gas supplier.

⚠ CAUTION

As with any mechanical equipment, contact with sharp sheet metal edges can result in personal injury. Take care while handling this equipment and wear gloves and protective clothing.

Shipping and Packing List

Package 1 of 1 contains:

- 1 - Replacement blower assembly
- 1 - Gasket kit

Shipping Damage

Check for shipping damage. If damage is found, immediately contact last carrier.

Application

Replacement supply air blower kits 22P66 and 22P67 are used with 80% ultra low nox furnaces. Refer to table 1 for specific kit applications.

TABLE 1

Kit Number	ULNDF Unit
22P66	3-ton
22P67	5-ton

Installation

- 1 - Turn off electrical and gas supplies to the furnace.
- 2 - Remove the blower access panel.
- 3 - Remove the control box.
- 4 - Remove the screws which secure the internal flue pipe and flue chase. Remove internal flue pipe and chase, along with existing gaskets.

DOWNFLOW SUPPLY AIR BLOWER

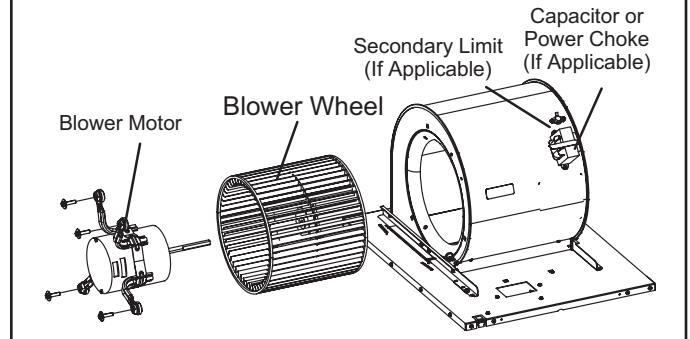


FIGURE 1

- 5 - Identify secondary limit wires, if applicable, and disconnect wires from the wiring harness.
- 6 - Disconnect blower motor harness from unit control board.
- 7 - Remove bolts which secure blower housing to cabinet.
- 8 - Slide existing blower assembly out of the front of the furnace.
- 9 - Remove existing blower motor, blower wheel, cut-off plate and capacitor or power choke from existing blower assembly. Set aside for later use.
- 10 - Replacement blower assembly does not include secondary limit(s). If applicable, remove plugs from properly positioned holes in replacement blower assembly to accommodate installation of existing or replacement secondary limits. Follow guidelines below to determine proper secondary limit usage.

⚠ WARNING

Secondary limits are not provided in this kit. Existing or replacement secondary limit(s) must be installed in the same quantity and location in the replacement blower assembly.

Units with secondary limit(s) - Remove existing secondary limit(s) from existing blower assembly and re-install limits on the replacement blower assembly in the same location.

- 11 - Install existing blower motor, blower wheel, cut-off plate and capacitor or power choke on the replacement blower assembly.
- 12 - Properly position blower motor assembly in the housing. See figure 2 for proper motor orientation. Center the blower wheel in the housing and tighten the set screw. See figure 3.

- 13 - Slide replacement blower assembly into the furnace.
- 14 - Install bolts which secure blower housing to cabinet
Install bolts which secure blower housing to cabinet.
- 15 - Connect blower motor harness to unit control board.
- 16 - Properly connect secondary limit wires, if applicable.
- 17 - Re-install the existing internal flue pipe and flue chase, using gasket kit provided.
- 18 - Re-install the control box.
- 19 - Replace the blower access panel.
- 20 - Restore electrical and gas supplies to the furnace.

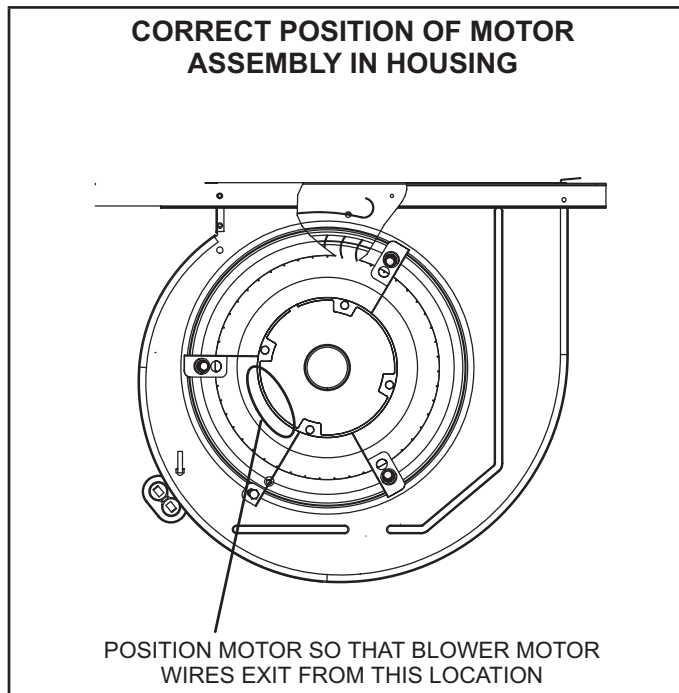


FIGURE 2

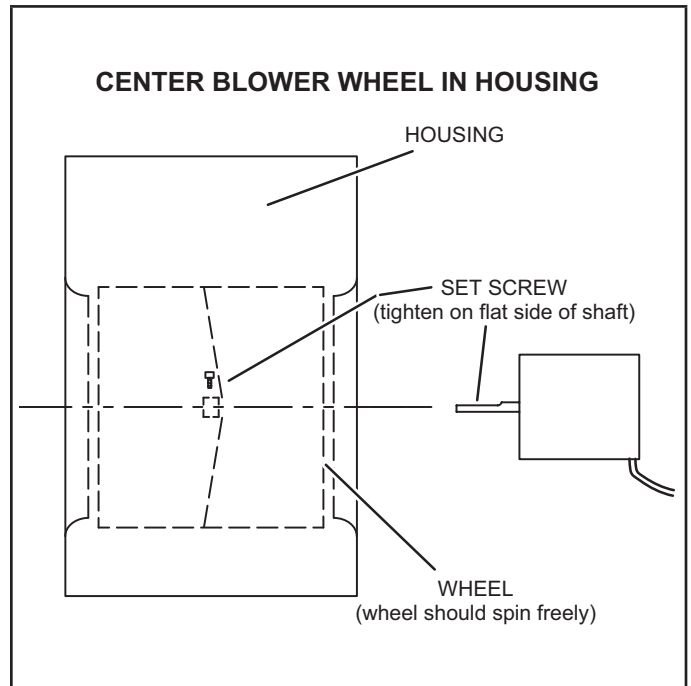


FIGURE 3