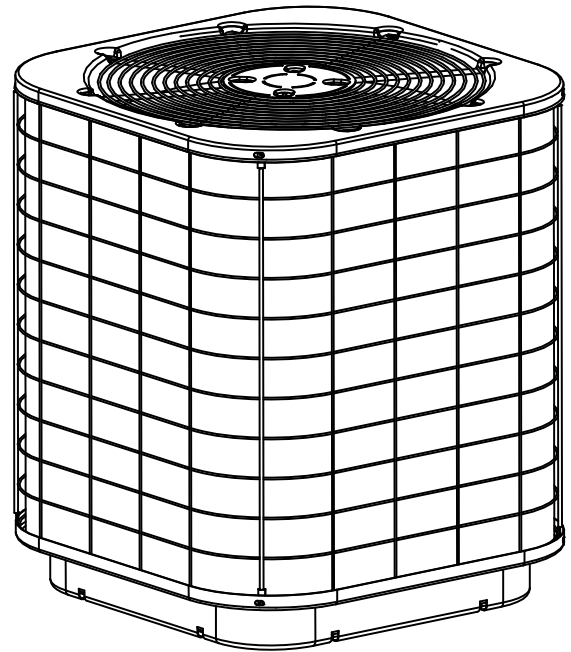


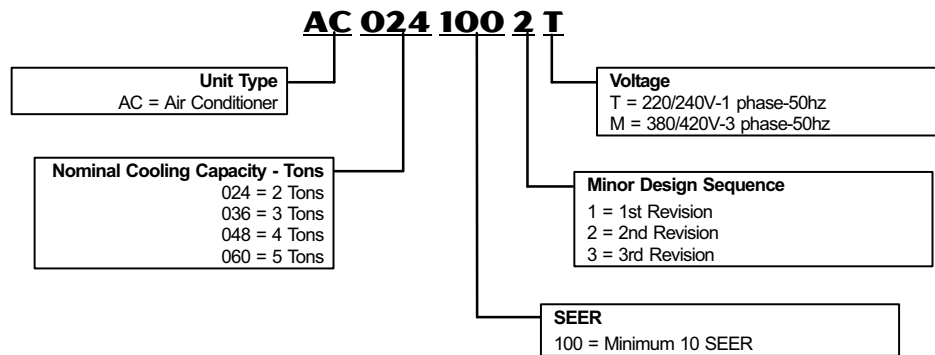


Air conditioners offer exceptional performance from a small, compact package. Units are ideally sized for slab or rooftop mounting in single, multi-family, and light commercial applications.



7 to 17.6 kW Tons

MODEL NUMBER IDENTIFICATION



FEATURES

Durable, Attractive Cabinet – Designed using galvanized steel. The 1.5 mil thick finish resists corrosion 50% better than comparable units.

Permanently Lubricated Motor – A heavy duty PSC motor for long lasting reliability and quiet operation. Requires no maintenance and is completely protected from rain and snow.

Full Service Valves – These brass valves are easily accessible and simplify servicing of the refrigeration system.

Removable Top Grille Assembly – Allows ease of service from the top without disconnecting fan motor leads.

Complete Metal Wrapper – Protects the units coil from being damaged by balls, lawnmowers, hail, etc.

One Piece Top/Orifice – Designed for maximum airflow and quiet operation.

Pedestal Base – Sturdy 64 mm (2-1/2 in.) pedestal base protects bottom of the coil. Base has weep holes along the edge to allow the water from rain to flow away from the unit.

Five Minute Restart Time Delay (Single Phase only) – When the unit shuts down, a five minute delay keeps the unit from restarting, eliminating the highest cause for compressor failure.

Easy Compressor and Control Access – Designed to make servicing easier for the contractor, access panels are provided to all controls and the compressor from the side of the unit.

SPECIFICATIONS - SINGLE PHASE

General Data		Model No.	AC0241002T	AC0361002T
		Nominal kW (Tons)	7.0 (2)	10.6 (3)
Connections (sweat)	Liquid line o.d. - mm (in.)		9.5 (3/8)	9.5 (3/8)
	Suction line o.d. - mm (in.)		⁴ 19 (3/4)	⁵ 22.2 (7/8)
¹ Refrigerant (R-22) furnished			1.59 kg (3 lbs 8 oz.)	1.93 kg (4 lbs 4 oz.)
Outdoor Coil	Net face area - m2 (sq. ft.)		0.77 (8.3)	0.93 (10)
	Tube diameter - mm (in.)		9.5 (3/8)	9.5 (3/8)
	Number of rows		1	1
	Fins per m (inch)		630 (16)	630 (16)
Outdoor Fan	Diameter - mm (in.)		457 (18)	457 (18)
	Number of blades		3	3
	Motor W (hp)		93 (1/8)	93 (1/8)
	L/S (Cfm)		1040 (2200)	1085 (2300)
	Watts		160	170
Shipping Data - kg (lbs.) 1 package			58 (128)	67 (147)
ELECTRICAL DATA				
Line voltage data - 50 hz - 1ph			220/240V	220/240V
² Maximum overcurrent protection (amps)			25	30
³ Minimum circuit ampacity			14.8	19.6
Compressor	Rated load amps		11.3	14.8
	Locked rotor amps		68	91.1
Outdoor Fan Motor	Full load amps		0.70	0.70
OPTIONAL ACCESSORIES - MUST BE ORDERED EXTRA				
High Pressure Switch Kit			•	•
Low Pressure Switch Kit			•	•
Start Kit			•	•

¹ Refrigerant charge sufficient for 4.7 m (15 ft.) length of refrigerant lines.

² HACR type circuit breaker or fuse.

³ Refer to local electrical code to determine wire, fuse and disconnect size requirements.

⁴ Requires 19 to 16 mm (3/4 to 5/8 in.) reducer from unit to refrigerant line.

⁵ Requires 22.2 to 19 mm (7/8 to 3/4 in.) reducer from unit to refrigerant line.

SPECIFICATIONS - THREE PHASE

General Data		Model No.	AC0361002M	AC0481002M	AC0601002M
		Nominal kW (Tons)	10.6 (3)	14.1 (4)	17.6 (5)
Connections (sweat)	Liquid line o.d. - mm (in.)		9.5 (3/8)	9.5 (3/8)	9.5 (3/8)
	Suction line o.d. - mm (in.)		⁴ 19 (3/4)	22.2 (7/8)	⁵ 22.2 (7/8)
¹ Refrigerant (R-22) furnished			1.93 kg (4 lbs 4 oz.)	2.64 kg (5 lbs 13 oz.)	3.69 kg (8 lbs 2 oz.)
Outdoor Coil	Net face area - m2 (sq. ft.)		1.09 (11.7)	1.42 (15.3)	1.42 (15.3)
	Tube diameter - mm (in.)		9.5 (3/8)	9.5 (3/8)	9.5 (3/8)
	Number of rows		1	1	1
	Fins per m (inch)		787 (20)	630 (16)	630 (16)
Outdoor Fan	Diameter - mm (in.)		457 (18)	610 (24)	610 (24)
	Number of blades		3	2	2
	Motor W (hp)		93 (1/8)	124 (1/6)	124 (1/6)
	L/S (Cfm)		1085 (2300)	1700 (3600)	1700 (3600)
	Watts		170	230	230
Shipping Data - kg (lbs.) 1 package			68 (147)	79 (175)	95 (209)
ELECTRICAL DATA					
Line voltage data - 50 hz - 3ph			380/420V	380/420V	380/420V
² Maximum overcurrent protection (amps)			15	15	20
³ Minimum circuit ampacity			8.2	10.7	13.6
Compressor	Rated load amps		6	7.8	10
	Locked rotor amps		41	45	73
Outdoor Fan Motor	Full load amps		0.70	1.10	1.10
OPTIONAL ACCESSORIES - MUST BE ORDERED EXTRA					
High Pressure Switch Kit			•	•	•
Low Pressure Switch Kit			•	•	•
Start Kit			•	•	•

¹ Refrigerant charge sufficient for 4.7 m (15 ft.) length of refrigerant lines.

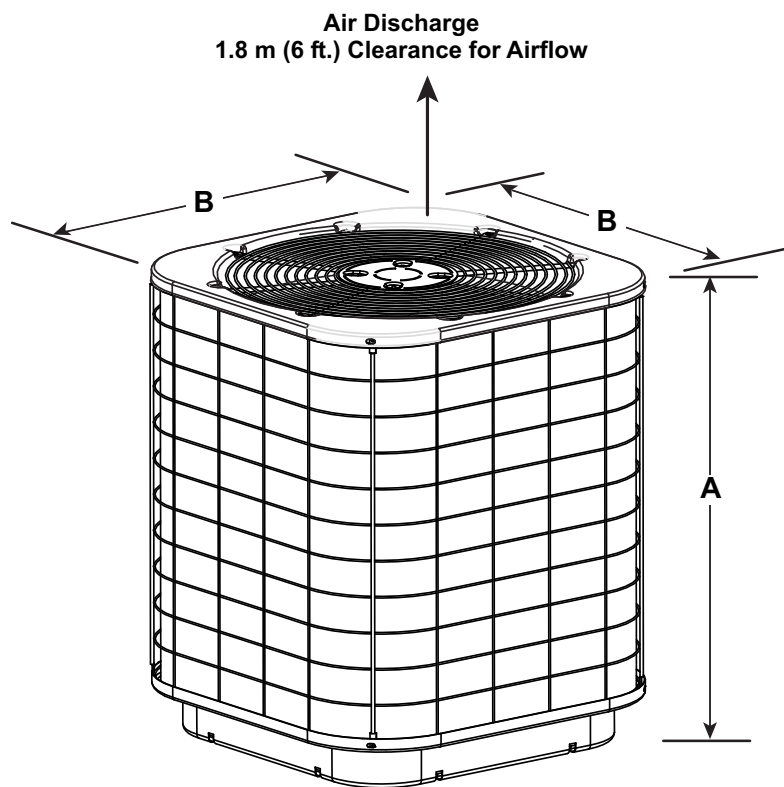
² HACR type circuit breaker or fuse.

³ Refer to local electrical code to determine wire, fuse and disconnect size requirements.

⁴ Requires 19 to 16 mm (3/4 to 5/8 in.) reducer from unit to refrigerant line.

⁵ Requires 22.2 to 19 mm (7/8 to 3/4 in.) reducer from unit to refrigerant line.

DIMENSIONS - INCHES (MM)



Model No.	A		B	
	mm	in.	mm	in.
AC0241002T	572	22-1/2	572	22-1/2
AC0361002T	673	26-1/2	572	22-1/2
AC0361002M	775	30-1/2	572	22-1/2
AC0481002M	673	26-1/2	775	30-1/2
AC0601002M				



Visit us at www.lennox.com
 For the latest technical information, www.lennoxcommercial.com
 Contact us at 1-800-9-LENNOX

NOTE - Due to Lennox' ongoing commitment to quality, Specifications, Ratings and Dimensions subject to change without notice and without incurring liability. Improper installation, adjustment, alteration, service or maintenance can cause property damage or personal injury. Installation and service must be performed by a qualified installer and servicing agency.

©2008 Lennox Industries Inc.