



**COMMERCIAL  
PRODUCT SPECIFICATIONS**

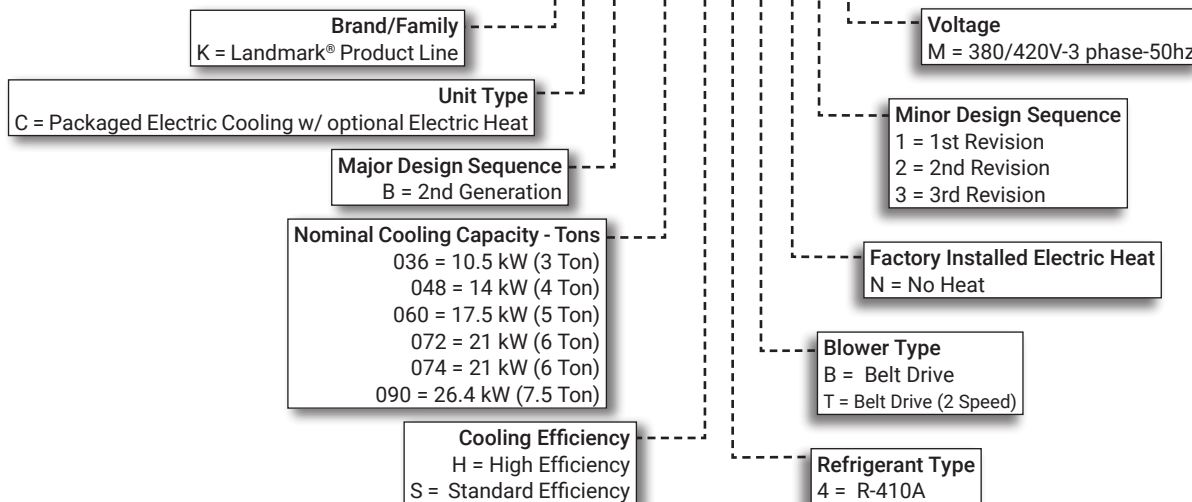


**LANDMARK®**  
Performance Marked by Flexibility™

**Nominal Capacity - 10.5 to 26.4 kW (3 to 7.5 Tons)**  
**Net Cooling Capacity - 9.1 to 22.4 kW (31 000 to 76 500 Btuh)**  
**Optional Electric Heat - 5.7 to 23 kW**

**MODEL NUMBER IDENTIFICATION**

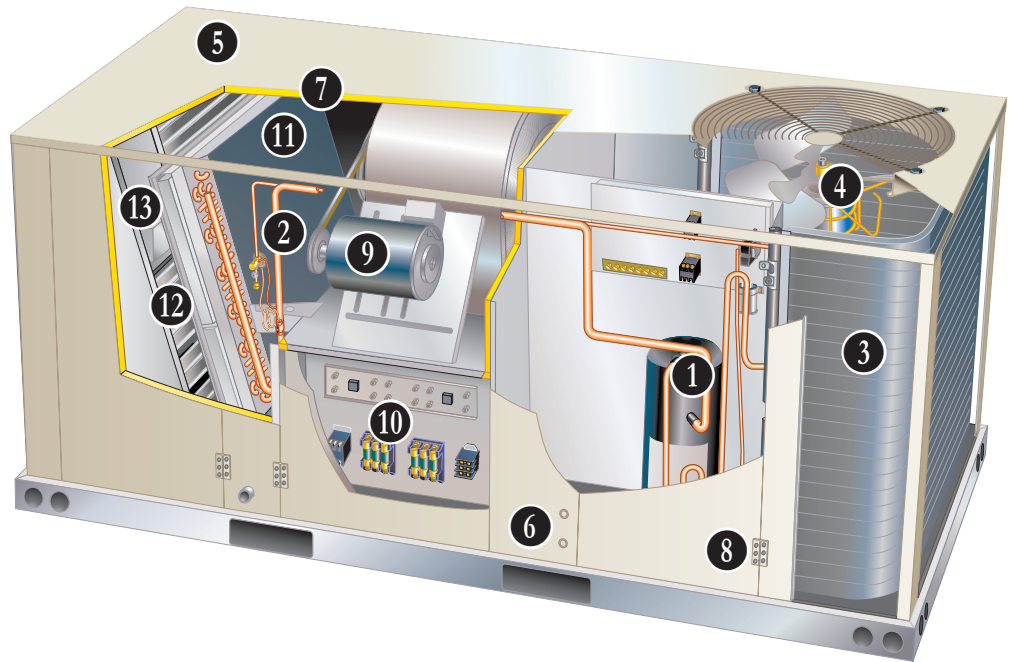
**K C B 060 S 4 B N 1 M**



## FEATURE HIGHLIGHTS

Landmark® rooftop units from Lennox are the new standard for reliable, efficient rooftop units built for long-lasting performance that can significantly improve indoor environments.

1. Scroll Compressors
2. Thermal Expansion Valve
3. Environ™ Coil System
4. Outdoor Coil Fan Motor
5. Construction
6. Power Entry
7. Insulation
8. Hinged Access Panels (option)
9. Blower
10. Electric Heat (option)
11. Air Filters
12. Economizer (option)
13. Power Exhaust Fan (option)



## CONTENTS

Blower Data - Belt Drive . . . . .	26
Dimensions - Accessories . . . . .	46
Dimensions - Unit . . . . .	45
Electrical Data . . . . .	41
Features And Benefits . . . . .	3
Model Number Identification . . . . .	1
Optional Conventional Temperature Control Systems . . . . .	9
Options / Accessories . . . . .	10
Outdoor Sound Data . . . . .	43
Performance/Quality And CE Mark Option . . . . .	3
Ratings . . . . .	17
Specifications . . . . .	13
Unit Clearances . . . . .	43
Weight Data . . . . .	44

## PERFORMANCE/QUALITY AND CE MARK OPTION

### TESTING

- Components bonded for grounding to meet safety standards for servicing required by Underwriters Laboratories (UL) and the International Electrotechnical Commission (IEC)
- 10.5 through 17.5 kW models cooling performance is rated at test conditions included in Air-Conditioning, Heating and Refrigeration Institute (AHRI) Standard 210/240-2008 while operating at rated voltage and air volumes
- 21.0 kW and 26.4 kW models cooling performance is rated at test conditions included in Air-Conditioning, Heating and Refrigeration Institute (AHRI) Standard 340/360-2007 while operating at rated voltage and air volumes
- International Organization for Standardization (ISO) 9001 Registered Manufacturing Quality System

## FEATURES AND BENEFITS

### COOLING SYSTEM

- Designed to maximize sensible and latent cooling performance at design conditions
- System can operate from  $-1^{\circ}\text{C}$  to  $52^{\circ}\text{C}$  without any additional controls

#### R-410A Refrigerant

- Non-chlorine based
- Ozone-friendly

#### 1 Single Speed Scroll Compressor (036 through 072 Models)

- High performance, reliability and quiet operation
- Resiliently mounted on rubber grommets for quiet operation

#### Two-Stage Scroll Compressor (074 and 090 Models)

- Two-stage for increased part load efficiency, high performance, reliability and quiet operation
- Resiliently mounted on rubber grommets for quiet operation

#### Compressor Crankcase Heater

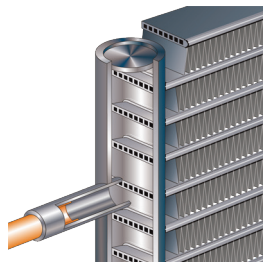
- Protects against refrigerant migration that can occur during low ambient operation

#### 2 Thermal Expansion Valve

- Ensures optimal performance throughout the application range
- Removable element head

#### 3 Environ™ Coil System

- Lightweight, all aluminum brazed fin construction
- Constructed of three components:
  - A flat extrusion tube
  - Fins in-between the flat extrusion tube
  - Two refrigerant manifolds



#### Environ™ Coil System Features:

- Improved heat transfer performance due to high primary surface area (flat tubes) versus secondary surface (fins)
- Smaller internal volume (reduced refrigerant charge)
- High durability
- All aluminum construction
- Fewer brazed joints
- Compact design

- Reduced unit weight
- Easy maintenance/cleaning
- Mounting brackets with rubber inserts

#### Evaporator Coil

- Copper tube construction
- Enhanced rippled-edge aluminum fins
- Flared shoulder tubing connections
- Silver soldered construction
- Factory leak tested
- Cross row circuiting with rifled tubing

#### High Pressure Switch

- Protects the system from high pressure conditions

#### Filter/Drier

- High capacity filter/drier protects the system from dirt and moisture

#### Freezestat

- Protects the evaporator coil from damaging ice build-up due to conditions such as low/no air flow, or low refrigerant charge

#### Condensate Drain Pan

- Plastic pan, sloped to meet drainage requirements of ASHRAE 62.1
- Side or bottom drain connections
- Reversible to allow connection at back of unit

#### 4 Outdoor Coil Fan Motor

- Thermal overload protected
- Totally enclosed
- Permanently lubricated sleeve bearings (024, 030, 036 and 048 models)
- Permanently lubricated ball bearings (060, 072, 074, and 090 models)
- Shaft up
- Wire basket mount

#### Outdoor Coil Fan

- Polyvinyl chloride (PVC) coated fan guard furnished

## FEATURES AND BENEFITS

### COOLING SYSTEM (continued)

#### Required Selections

##### Cooling Capacity

- Specify nominal cooling capacity

#### Options/Accessories

##### Factory Installed

##### Conventional Fin/Tube Condenser Coil (replaces Environ™ Coil System) (All except 072 and 074H)

- Copper tube construction
- Enhanced rippled-edge aluminum fins
- Flared shoulder tubing connections
- Silver soldered construction

##### Field Installed

##### Condensate Drain Trap

- Field installed only
- Available in copper or polyvinyl chloride (PVC)

##### Drain Pan Overflow Switch

Monitors condensate level in drain pan, shuts down unit if drain becomes clogged

##### Low Ambient Kit

- Cycles the outdoor fan while allowing compressor operation in the cooling cycle
- This intermittent fan operation allows the system to operate without icing the evaporator coil and losing capacity
- Designed for use in ambient temperatures no lower than -18°C.

**NOTE** - A crankcase heater must be installed on the compressor.

### CABINET

#### 5 Construction

- Heavy-gauge steel panels
- Two-layer enamel paint finish
- Full perimeter heavy-gauge galvanized steel base rail
- Base rails have rigging holes
- Three sides of the base rail have forklift slots
- Raised edges around duct and power entry openings in the bottom of the unit for water protection

##### Airflow Choice

- Units are shipped in downflow (vertical) return air configuration
- Can be field converted to horizontal air flow configuration without the need of a kit

#### 6 Power Entry

- Electrical lines can be brought through the unit base or through horizontal access knock-outs

#### 7 Exterior Panels

- Constructed of heavy-gauge, galvanized steel with a two-layer enamel paint finish

#### 8 Insulation

- Fully insulated with non-hygroscopic fiberglass insulation (conditioned areas)
- Unit base is fully insulated
- Base insulation serves as an air seal to the roof curb, eliminating the need to add a seal during installation

##### Access Panels

- Economizer/Filter section
- Heating/Blower section
- Compressor/Controls section

**NOTE** - KCB060/074/090 models include a filler panel for proper cabinet fit for optional accessories (Economizers, Power Exhaust, Outdoor Air Dampers and Barometric Relief Dampers).

#### Options/Accessories

##### Factory Installed

##### Corrosion Protection

- Completely flexible immersed coating
- Electrodeposited dry film process
- AST ElectroFin E-Coat
- Meets Mil Spec MIL-P-53084, ASTM B117 Standard Method Salt Spray Testing
- Indoor Corrosion Protection:
  - Coated coil
  - Painted blower housing
  - Painted base
- Outdoor Corrosion Protection:
  - Coated coil
  - Painted outdoor base

#### 9 Hinged Access Panels

- Economizer/Filter section
- Heating/Blower section
- Compressor/Controls section
- Panels seal and slotted, 29 mm hex bolt quarter-turn latches provide a tight air and water seal

##### Field Installed

##### Combination Coil/Hail Guards

- Heavy gauge steel frame
- Painted to match cabinet
- Expanded metal mesh protects outdoor coil

## FEATURES AND BENEFITS

### **CONTROLS**

#### **Unit Control**

- All control voltage is provided via a 24V (secondary) transformer with built-in circuit breaker protection
- Up to 2 heat / 2 cool staging with a third party DDC control system or thermostat
- Low voltage terminal block provides screw terminal connections for thermostat or controller wiring
- Night Setback Mode saves energy by closing outdoor air dampers and operating supply fan on thermostat demand only

#### **Options/Accessories**

#### **Field Installed**

##### **Smoke Detector**

- Photoelectric type
- Installed in supply air section, return air section or both sections
- Available with power board and single sensor (supply or return) or power board and two sensors (supply and return)
- Power board located in unit control compartment

##### **Thermostats**

- Control system and thermostat options, see page 10

### **10 BLOWER**

A wide selection of supply air blower options are available to meet a variety of air flow requirements

#### **Motor**

- Overload protected
- Ball bearings (belt drive)
- Sleeve bearings (direct drive).
- Direct drive motors available on 024, 030, 036, 048 and 060 models
- Single Speed belt drive motors available on 036, 048, 060 and 072 models and are available in several different sizes to maximize air performance
- Two-speed belt drive motors (low static/high static) available on 074 and 090 models in several different sizes to maximize air performance

#### **Supply Air Blower**

- Forward curved blades
- Blower wheel statically and dynamically balanced
- Belt drive motors have adjustable pulley for speed change

#### **Ordering Information**

- Specify drive kit number when base unit is ordered

#### **Required Selections**

#### **Supply Air Blower**

- Order one drive kit, see Drive Kit Specifications Table

### **ELECTRICAL**

#### **Marked & Color-Coded Wiring**

- All electrical wiring is color-coded and marked to identify which components it is connecting

#### **Electrical Plugs**

- Positive connection electrical plugs are used to connect common accessories or maintenance parts for easy removal or installation

#### **Unit Sub-Fuse Blocks**

- Furnished as standard on all units.

#### **Required Selections**

#### **Voltage Choice**

- Specify when ordering base unit

#### **Options/Accessories**

#### **Field Installed**

### **11 Electric Heat**

- Electric Heat is CE marked
- Helix wound nichrome elements
- Individual element limit controls
- Wiring harness
- Unit fuse block
- See Options / Accessories tables for ordering information

## FEATURES AND BENEFITS

### INDOOR AIR QUALITY

#### Air Filters

- Disposable 51 mm filters furnished as standard

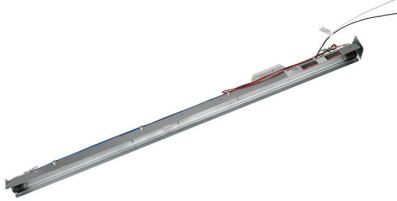
#### Options/Accessories

#### **Field Installed**

#### Healthy Climate® High Efficiency Air Filters

- Disposable MERV 8 or MERV 13 (Minimum Efficiency Reporting Value based on ASHRAE 52.2) efficiency 51 mm pleated filters

#### Healthy Climate® UVC Germicidal Lamps



- Germicidal lamps emit ultra-violet (UV-C) energy, which has been proven to be effective in reducing microbes such as viruses, bacteria, yeasts, and molds
- This process either destroys the organism or controls its ability to reproduce
- UV-C energy greatly reduces the growth and proliferation of mold and other bioaerosols (bacteria and viruses) on illuminated surfaces (particularly coil and drain pan)
- Field installed in the blower/evaporator coil section
- Magnetic safety interlock terminates power when access panels are removed
- All necessary hardware for installation is included
- Lamps operate on 220V-1ph power supply

**NOTE** - Step-down transformer must be field supplied for field installation for 380/420V primary to 220V secondary.

#### Indoor Air Quality (CO<sub>2</sub>) Sensors

- Monitors CO<sub>2</sub> levels
- Reports to the Unit Controller which adjusts economizer dampers as needed

## OPTIONS / ACCESSORIES

### **ECONOMIZER**

#### **Factory or Field Installed**

#### **12** Standard Economizer

##### **NOTE - Factory Installed Economizer Includes -**

Barometric Relief Dampers, Combination Outdoor Air/Exhaust Hood and Harness.

##### **Field Installed Economizer Does Not Include -**

Barometric Relief Dampers, Combination Outdoor Air/Exhaust Hood and Harness, these must be ordered separately.

- Factory installed Economizer can be ordered with two exhaust options:

- Barometric Relief Dampers
- No Exhaust

##### **Features:**

- Gear-driven action
- Return air and outdoor air dampers
- Plug-in connections to unit
- Neoprene seals
- 24-volt, fully-modulating spring return motor
- Occupied/Unoccupied mode with field furnished setback thermostat
- Demand Control Ventilation (DCV) ready using optional CO<sub>2</sub> sensors
- Mixed Air Sensor is furnished for field installation in the rooftop unit

**NOTE** - Mixed Air Sensor is factory installed when Economizer is factory installed.

- Single sensible sensor is furnished with Economizer and enables economizer operation if the outdoor temperature is less than the setpoint of the control
- Barometric Relief Dampers allow relief of excess air, dampers prevent blow back and outdoor air infiltration during off cycle, bird screen furnished

**NOTE** - Barometric Relief Dampers are required when Economizer is factory installed with field installed Power Exhaust Fan option. See Power Exhaust Fan section and Options/Accessories table.

**NOTE** - Horizontal Barometric Dampers are required for horizontal Economizer applications and must be ordered separately.

#### **Standard Economizer Control Module**

- Standard Economizer Control Module can be adjusted to operate based on outdoor air temperatures

##### **Economizer Controls:**

- **Damper Minimum Position**  
Can be set lower than traditional minimum air requirements resulting in cost savings
- **IAQ Sensor** - Signals dampers to modulate and maintain 13°C when CO<sub>2</sub> is higher than the CO<sub>2</sub> setpoint



- **Demand Control Ventilation (DCV) LED** - A steady green Demand Control Ventilation LED indicates the IAQ reading is higher than setpoint and requires more fresh air
- **Free Cool LED** - A steady green LED indicates outdoor air is suitable for free cooling
  - Free Cooling runs when outdoor air temperature is lower than the set temperature on the economizer control

**NOTE:** The Free Cooling default setting for outdoor air temperature sensor is 13°C.

#### **High Performance Economizer Features**

##### **Features:**

- Gear-driven action
- High torque 24-volt fully-modulating spring return damper motor
- Return air and outdoor air dampers
- Plug-in connections to unit
- Nylon bearings
- Enhanced thermoplastic vulcanizate (TPV) seals
- Flexible stainless steel jamb seals
- Combination Outdoor Air/Exhaust Hood is furnished
- Field installed Economizer includes Barometric Relief Dampers with Combination Outdoor Air/Exhaust Hood
- Occupied/Unoccupied mode with field furnished setback thermostat
- Demand Control Ventilation (DCV) ready using optional CO<sub>2</sub> sensors
- Mixed Air Sensor is furnished for field installation in the rooftop unit

**NOTE** - Mixed Air Sensor is factory installed when Economizer is factory installed.

- Single sensible sensor is furnished with Economizer and enables economizer operation if the outdoor temperature is less than the setpoint of the control
- Barometric Relief Dampers allow relief of excess air, dampers prevent blow back and outdoor air infiltration during off cycle, bird screen furnished

**NOTE** - Barometric Relief Dampers are required when Economizer is factory installed with field installed Power Exhaust Fan option. See Power Exhaust Fan section and Options/Accessories table.

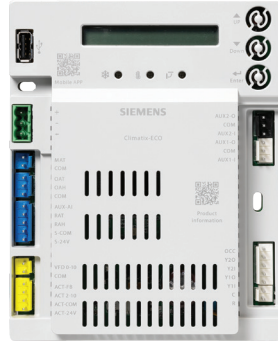
**NOTE** - Horizontal Barometric Dampers are required for horizontal Economizer applications and must be ordered separately.

## OPTIONS / ACCESSORIES

### ECONOMIZER (continued)

#### High Performance Economizer Control Module

- Provides inputs and outputs to control economizer based on parameter settings
- Free cooling based on single dry bulb temperature, or combination temperature + humidity sensors
- Automatic switchover for different control modes
- Parameter settings based on climate zone, using GPS functionality in the Climatix Mobile application
- LED indication for free cooling operation, sensor operation and damper operation
- Quick installation and easy commissioning with the **Climatix Mobile App** on a mobile device



**NOTE** - WLAN Stick is required for App connection to module(s).

- Module displays any alarm messages (fault detection and diagnostics) as an aid in troubleshooting
- RS485 port for BACnet MSTP or Modbus RTU communication
- USB port for firmware updates and WLAN connection for setup and commissioning
- QR codes on module for quick access to download Climatix Mobile App and user documentation
- User Interface for normal operation, parameter setup and alarm notifications with an LCD display and three operation buttons:
  1. **Up Button** - Move to the previous value, step or category
  2. **Down Button** - Move to the next value, step or category
  3. **Enter Button** -
    - Press to edit the current value or option
    - Press to confirm a newly selected value or option
    - Press Enter + Up to jump up one category
    - Press Enter + Down to jump down one category

**NOTE** - Refer to Installation Instructions for complete setup information and menu parameters available.

### Factory or Field Installed

#### Single Enthalpy Temperature Control

- Outdoor air enthalpy sensor enables Economizer if the outdoor enthalpy is less than the setpoint of the control

#### Field Installed

##### Differential Enthalpy Control

- Order two Single Enthalpy Controls
- One is field installed in the return air section, the other in the outdoor air section
- Allows the economizer control board to select between outdoor air or return air, whichever has lower enthalpy

##### WLAN Stick

- Required for Climatix Mobile App usage
- Plugs into USB port on Module to provide a temporary WLAN connection for setup, commissioning and servicing

**NOTE** - Only one WLAN Stick is required and can be used on multiple modules.

### EXHAUST

#### Field Installed

##### Horizontal Barometric Relief Dampers

- For use when unit is configured for horizontal applications with an economizer
- Allows relief of excess air
- Blade type dampers prevent blow back and outdoor air infiltration during off cycle
- Field installed in return air duct
- Exhaust hood with bird screen furnished

**NOTE** - Requires Horizontal Economizer Conversion Kit.

##### Horizontal Economizer Conversion Kit

- Insulated panel covers the bottom return air opening on the unit base to convert downflow Economizer to horizontal airflow

#### **13** Power Exhaust Fan

- Installs internal to unit for downflow applications only with Economizer option
- Provides exhaust air pressure relief
- Interlocked to run when supply air blower is operating, fan runs when outdoor air dampers are 50% open (adjustable)
- Motor is overload protected
- Fan is 406 mm diameter with 4 fan blades and a 0.25 kW motor.

**NOTE** - If Power Exhaust is field installed with a factory installed Economizer, the Economizer must be ordered with No Exhaust option. Barometric Relief Dampers must also be ordered separately for field installation.



## OPTIONS / ACCESSORIES

### **OUTDOOR AIR**

#### **Factory or Field Installed**

##### **Outdoor Air Dampers - Downflow or Horizontal**

- Single blade damper, 0 to 25% (fixed) outdoor air adjustable, installs in unit
- Motorized model features fully modulating spring return damper motor with plug-in connection
- Manual model features a slide damper
- Maximum mixed air temperature in cooling mode: 38°C
- Outdoor Air Hood is furnished

#### **ROOF CURBS**

##### **Field Installed**

- Nailer strip furnished
- Mates to unit
- US National Roofing Contractors Approved
- Shipped knocked down

##### **Hybrid Roof Curbs**

- Downflow
- Interlocking tabs fasten corners together
- No tools required for assembly
- Can also be fastened together with furnished hardware
- Available in 203, 356, 457, and 610 mm heights

##### **Full Perimeter Curbs, Downflow (090 Models Only)**

- Interlocking tabs fasten corners together
- No tools required for assembly
- Can also be fastened together with furnished hardware
- Available in 203, 356, 457 and 610 mm.

**NOTE** - 090 models can be used on smaller 2026 mm Hybrid Roof Curbs (not full perimeter) with 400 mm overhang at condenser end of unit. See dimension drawing on page 51.

##### **Adjustable Pitch Curb**

- Downflow
- Fully adjustable pitch curbs (3/4 in. per foot in any direction) provide a level platform for rooftop units allowing flexible installations on roofs with uneven or sloped angles
- Interlocking tabs fasten corners together
- No tools required for assembly
- Hardware is furnished to connect upper curb with lower curb
- Available in 356 mm height

##### **Adaptor Curbs (not shown)**

- Curbs are regionally sourced
- Dimensions vary based upon the source

**NOTE** - Contact your local sales representative for a detailed cut sheet with applicable dimensions.

### **CEILING DIFFUSERS**

#### **Field Installed**

##### **Ceiling Diffusers (Flush or Step-Down)**

- White powder coat finish on diffuser face and grilles
- Insulated UL listed duct liner
- Diffuser box has collars for duct connection
- Step-down diffusers have double deflection blades
- Flush diffusers have fixed blades
- Provisions for suspending
- Internally sealed to prevent recirculation
- Removable return air grille
- Adapts to T-bar ceiling grids or plaster ceilings

##### **Transitions (Supply and Return)**

- Used with diffusers
- Installs in roof curb
- Galvanized steel construction
- Flanges furnished for duct connection to diffusers
- Fully insulated

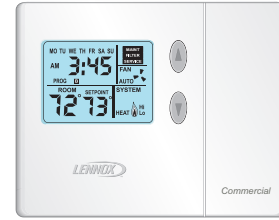
## OPTIONAL CONVENTIONAL TEMPERATURE CONTROL SYSTEMS

### ComfortSense® 7500 Commercial 7-Day Programmable Thermostat



- Four-Stage Heating / Two-Stage Cooling
- Universal Multi-Stage
- Intuitive Touchscreen Interface
- Automatic Changeover between Heating and Cooling
- Full Seven-Day Programming
- Four Time Periods Per Day
- Temperature and Humidity Control
- One-Touch Away Mode
- Holiday Scheduling
- Smooth Setback Recovery (SSR)
- Performance Reports
- Notifications/Reminders
- Dehumidification/Humiditrol® Control for Split Systems and Rooftop Units
- Economizer Relay Control
- Backlit Display
- Wallplate Furnished
- FDD, ASHRAE and IECC Compliant

### ComfortSense® 3000 Commercial 5-2 Day Programmable Thermostat



- Two-Stage Heating / Two-Stage Cooling
- Conventional Systems
- Intuitive Interface
- 5-2 Day Programming
- Program Hold
- Remote Indoor Temperature Sensing
- Smooth Setback Recovery (SSR)
- Economizer Relay Control
- Maintenance/Filter/Service Reminders
- Backlit Display
- Wallplate Furnished
- Simple Up and Down Temperature Control

### Bacnet Compatible Thermostat With Reheat Function



- 7-Day Programmable
- For units with or without Humiditrol®
- BTL listed MS/TP ensures compatibility with any BACnet system
- Built-in control programs for conventional and heat pump applications
- Conventional systems up to 3-stage heat and 3-stage cool
- Heat pumps with 1 or 2 compressors and up to 2-stage auxiliary heat
- On-board temperature and humidity sensor
- Multiple configurable inputs and outputs enable advanced control strategies
- Set-up Wizard enables rapid system configuration
- No special tools required for installation or commissioning
- Seven-day (2, 4 or 6 event) occupancy scheduling per day
- Backlit 5-inch LCD touchscreen

Description	Catalog No.
<b>ComfortSense® 7500 Commercial 7-Day Programmable Thermostat</b>	
CS7500 7-Day Thermostat	<b>17G74</b>
Sensors/	<sup>1</sup> Remote non-adjustable wall-mount 20k <b>47W36</b>
Accessories	<sup>1</sup> Remote non-adjustable wall-mount 10k <b>47W37</b>
	Remote non-adjustable discharge air (duct mount) <b>19L22</b>
	Outdoor temperature sensor <b>X2658</b>
<b>ComfortSense® 3000 5-2 Day Programmable</b>	
CS3000 5-2 Day Thermostat	<b>11Y05</b>
Sensor/	Remote non-adjustable wall mount 10k averaging <b>47W37</b>
Accessories	Thermostat wall mounting plate <b>X2659</b>
BACnet	<sup>2</sup> 7-Day BACnet Thermostat <b>Y8241</b>
Controls	<sup>3</sup> BACnet Module (factory or field) <b>16X70</b>
<sup>4</sup> BACnet	With Display <b>97W23</b>
Room Sensors	Without Display <b>97W24</b>
<b>Universal Thermostat Guard with Lock (clear)</b>	
	Inside Dimensions (H x W) 5 7/8 x 8 3/8 in. <b>39P21</b>

<sup>1</sup> Remote wall-mount sensors can be applied in any of the following combinations:  
 One Sensor - (1) 47W36, Two Sensors - (2) 47W37, Three Sensors - (2) 47W36 and (1) 47W37  
 Four Sensors - (4) 47W36, Five Sensors - (3) 47W36 and (2) 47W37

<sup>2</sup> BACnet Thermostat (Y8241) will control units with and without the Humiditrol® option. If there is a mix of units equipped with and without Humiditrol on the same site, this thermostat can be used for all units if suitable.

<sup>3</sup> Not compatible with units equipped with Humiditrol® option.

<sup>4</sup> Only compatible with BACnet Module (16X70).

## OPTIONS / ACCESSORIES

Item	Catalog No.	Unit Model Number						
		KCB 036	KCB 048	KCB 060	KCB 072	KCB 074	KCB 090	
<b>COOLING SYSTEM</b>								
Condensate Drain Trap	Polyvinyl Chloride (PVC)	<b>22H54</b>	X	X	X	X	X	X
	Copper	<b>76W27</b>	X	X	X	X	X	X
Conventional Fin/Tube Condenser Coil (replaces Environ™ Coil System)	Factory		O	O	O		<sup>1</sup> O	O
Drain Pan Overflow Switch		<b>74W42</b>	X	X	X	X	X	X
Low Ambient Kit		<b>14D89</b>	X	X	X	X	X	X
Efficiency	High					O	O	
	Standard		O	O	O		O	O
Refrigerant Type	R-410A		O	O	O	O	O	O
<b>BLOWER - SUPPLY AIR</b>								
Motors	Belt Drive - 1.5 kW Standard Efficiency	Factory	O	O	O	<sup>2</sup> O		O
	Belt Drive - 1.2 kW (2 Speed)	Factory					O	O
	Belt Drive - 2.2 kW	Factory						O
Drive Kits See Blower Data Tables for selection	Kit A01 - 561 - 842 rev/min	Factory	O					
	Kit A02 - 621 - 931 rev/min	Factory		O				
	Kit A03 - 694 - 1042 rev/min	Factory			O			
	Kit A04 - 804 - 1117 rev/min	Factory				<sup>2</sup> O	<sup>2,4</sup> O	
	Kit A05 - 748 - 1122 rev/min	Factory	O					
	Kit A06 - 893 - 1191 rev/min	Factory		O				
	Kit A07 - 1010 - 1290 rev/min	Factory			O			
	Kit A08 - 994 - 1326 rev/min	Factory				<sup>2</sup> O	<sup>2,4</sup> O	
	Kit A09 - 1193 - 1594 rev/min	Factory				<sup>2</sup> O	<sup>2,4</sup> O	
	Kit AA02 - 527 - 729 rev/min	Factory				<sup>5</sup> O	<sup>3</sup> O	O
	Kit AA03 - 665 - 921 rev/min	Factory				<sup>5</sup> O	<sup>3</sup> O	O
Kit AA04 - 768 - 1023 rev/min	Factory				<sup>5</sup> O	<sup>3</sup> O	O	
Kit AA05 - 921 - 1177 rev/min	Factory						O	
<b>CABINET</b>								
Combination Coil/Hail Guards		<b>13R98</b>	X	X				
		<b>13T03</b>			X	X	X	
		<b>13T17</b>						X
Hinged Access Panels	Factory	O	O	O	O	O	O	
Corrosion Protection	Factory	O	O	O	O	O	O	
<b>CONTROLS</b>								
<b>NOTE - Also see Conventional Thermostat Control Systems on page 40 for Additional Options.</b>								
Smoke Detector - Supply or Return (Power board and one sensor)		<b>21Z11</b>	X	X	X	X	X	X
Smoke Detector - Supply and Return (Power board and two sensors)		<b>21Z12</b>	X	X	X	X	X	X

<sup>1</sup> 074S models only.

<sup>2</sup> 072S and 074S Single Speed Belt Drive models only.

<sup>3</sup> 074H Two-Speed Belt Drive models only.

<sup>4</sup> 074S Two-Speed Belt Drive models only.

<sup>5</sup> 072H Single Speed Belt Drive.

NOTE - Catalog numbers shown are for ordering field installed accessories.

OX - Field Installed or Configure to Order (factory installed)

O - Configure to Order (Factory Installed)

X - Field Installed.

## OPTIONS / ACCESSORIES

Item	Catalog No.	Unit Model Number					
		KCB 036	KCB 048	KCB 060	KCB 072	KCB 074	KCB 090
<b>ECONOMIZER</b>							
<b>Standard Economizer (Sensible Control)</b>							
Standard Economizer	23T20	OX	OX	OX	OX	OX	OX
Factory Installed Economizer - Includes Barometric Relief Dampers, Combination Outdoor Air/Exhaust Hood and Harness							
Field Installed Economizer - Barometric Relief Dampers, Combination Outdoor Air/Exhaust Hood and Harness are not furnished and must be ordered separately (see below)							
Barometric Relief Dampers, Combination Hood and Harness for Field Installed Economizer	23B17	X	X	X	X	X	X
Standard Economizer - No Exhaust	Factory	O	O	O	O	O	O
<b>Standard Economizer Controls</b>							
Single Enthalpy Control	21Z09	OX	OX	OX	OX	OX	OX
Differential Enthalpy Control (order 2)	21Z09	X	X	X	X	X	X
<b>High Performance Economizer</b>							
High Performance Economizer (Includes Barometric Relief Dampers and Combination Outdoor Air/Exhaust Hood)	23G22	OX	OX	OX	OX	OX	OX
<b>High Performance Economizer Controls</b>							
Single Enthalpy Control	23G26	OX	OX	OX	OX	X	OX
Differential Enthalpy Control (order 2)	23G26	X	X	X	X	X	X
<b>Economizer Accessories</b>							
Horizontal Economizer Conversion Kit	17W45	X	X	X	X	X	X
<b>POWER EXHAUST FAN</b>							
Standard Static	380/420V-3ph	21Z16	X	X	X	X	X
<i>NOTE - Field installed Power Exhaust Fan requires "Barometric Relief Dampers for Power Exhaust Kit" for field installation. See below.</i>							
<b>BAROMETRIC RELIEF</b>							
<sup>1</sup> Barometric Relief Dampers for Power Exhaust Kit	21Z21	X	X	X	X	X	X
<sup>2</sup> Horizontal Barometric Relief Dampers With Exhaust Hood	19F01	X	X	X	X	X	X
<b>OUTDOOR AIR</b>							
<b>Outdoor Air Dampers With Outdoor Air Hood</b>							
Motorized	15D17	OX	OX	OX	OX	OX	OX
Manual	15D18	OX	OX	OX	OX	OX	OX
<b>ELECTRICAL</b>							
Voltage 50 hz with neutral	380/420V - 3 phase	O	O	O	O	O	O
<b><sup>3</sup> ELECTRIC HEAT</b>							
5.7 kW	67W92	X	X	X	X	X	X
11.5 kW	67W93	X	X	X	X	X	X
17.2 kW	67W94			X	X	X	X
23 kW	67W95				X	X	X

<sup>1</sup> Required when Economizer is factory installed with field installed Power Exhaust Fan option.

<sup>2</sup> Required when Economizer is configured for horizontal airflow.

<sup>3</sup> Nominal kW at 420V-3ph-50hz.

NOTE - Catalog numbers shown are for ordering field installed accessories.

OX - Field Installed or Configure to Order (factory installed)

O - Configure to Order (Factory Installed)

X - Field Installed.

## OPTIONS / ACCESSORIES

Item	Catalog No.	Unit Model Number					
		KCB 036	KCB 048	KCB 060	KCB 072	KCB 074	KCB 090
<b>INDOOR AIR QUALITY</b>							
<b>Air Filters</b>							
Healthy Climate® High Efficiency Air Filters Order 4 per unit	MERV 8 (406 x 508 x 51)	<b>54W20</b>	X	X			
	MERV 13 (406 x 508 x 51)	<b>52W37</b>	X	X			
	MERV 8 (508 x 508 x 51)	<b>54W21</b>			X	X	X
	MERV 13 (508 x 508 x 51)	<b>52W39</b>			X	X	X
<b>Indoor Air Quality (CO<sub>2</sub>) Sensors</b>							
Sensor - Wall-mount, off-white plastic cover with LCD display	<b>77N39</b>	X	X	X	X	X	X
Sensor - Wall-mount, black plastic case, no display, rated for plenum mounting	<b>87N54</b>	X	X	X	X	X	X
CO <sub>2</sub> Sensor Duct Mounting Kit - for downflow applications	<b>85L43</b>	X	X	X	X	X	X
Aspiration Box - for duct mounting non-plenum rated CO <sub>2</sub> sensor (77N39)	<b>90N43</b>	X	X	X	X	X	X
<b>UVC Germicidal Lamps</b>							
<sup>1</sup> Healthy Climate® UVC Light Kit (220V-1ph)	<b>21A92</b>	X	X	X	X	X	X
<b>ROOF CURBS</b>							
<b>Hybrid Roof Curbs, Downflow</b>							
203 mm height	<b>11F50</b>	X	X	X	X	X	<sup>2</sup> X
356 mm height	<b>11F51</b>	X	X	X	X	X	<sup>2</sup> X
457 mm height	<b>11F52</b>	X	X	X	X	X	<sup>2</sup> X
610 mm height	<b>11F53</b>	X	X	X	X	X	<sup>2</sup> X
<b>Hybrid Roof Curbs, Full Perimeter, Downflow</b>							
203 mm height	<b>11S47</b>						X
356 mm height	<b>11S48</b>						X
457 mm height	<b>11T01</b>						X
610 mm height	<b>11T06</b>						X
<b>Adjustable Pitch Curb, Downflow</b>							
356 mm height	<b>43W27</b>	X	X	X	X	X	<sup>2</sup> X
<b>CEILING DIFFUSERS</b>							
Step-Down - Order one	RTD9-65S	<b>13K60</b>	X	X	X		
	RTD11-95S	<b>13K61</b>				X	X
Flush - Order one	FD9-65S	<b>13K55</b>	X	X	X		
	FD11-95S	<b>13K56</b>				X	X
Transitions (Supply and Return) - Order one		<b>17W53</b>	X	X	X		
		<b>17W54</b>				X	X

<sup>1</sup> Lamps operate on 220V single-phase power supply. Step-down transformer must be field supplied for field installation for 380/420V primary to 220V secondary. Alternately, a separate 220V power supply may be used to directly power the UVC ballast(s).

NOTE - Catalog numbers shown are for ordering field installed accessories.

OX - Field Installed or Configure to Order (factory installed)

O - Configure to Order (Factory Installed)

X - Field Installed.

**SPECIFICATIONS**
**10.5 - 17.5 KW**

General Data		Nominal Tonnage	10.5 kW (3 Ton)	14.0 kW (4 Ton)	17.5 kW (5 Ton)
		Model No.	KCB036S4B	KCB048S4B	KCB060S4B
		Efficiency Type	Standard	Standard	Standard
		Blower Type	Single Speed Belt Drive	Single Speed Belt Drive	Single Speed Belt Drive
<b>Cooling Performance</b>	Gross Cooling Capacity - kW (Btuh)		9.5 (32 300)	12.6 (42 900)	15.8 (53 800)
	<sup>1</sup> Net Cooling Capacity - kW (Btuh)		9.1 (31 000)	12.0 (40 800)	15.0 (51 300)
	Rated Air Flow - (L/s) cfm		542 (1150)	736 (1560)	830 (1760)
	<sup>3</sup> Sound Rating Number (dB)		74	74	79
	Total Unit Power - kW		2.5	3.5	4.2
	<sup>1</sup> SEER (Btuh/Watt)		14.0	14.0	14.0
	<sup>1</sup> EER (Btuh/Watt) at 35°C (95° F)		12.5	11.6	12.0
	<sup>2</sup> EER (Btuh/Watt) at 46°C (115°F)		8.4	7.8	8.4
<b>Refrigerant Charge</b>	Refrigerant Type		R-410A	R-410A	R-410A
	Environ™ Coil System		2.52 kg (5 lbs. 9 oz.)	2.55 kg (5 lbs. 10 oz.)	3.74 kg (8 lbs. 4 oz.)
	Conventional Fin/Tube Coil		4.99 kg (11 lbs. 3 oz.)	4.45 kg (9 lbs. 13 oz.)	6.46 kg (14 lbs. 4 oz.)
<b>Compressor Type (one per unit)</b>			Scroll	Scroll	Scroll
<b>Outdoor Coil Environ™ (Fin/Tube)</b>	Net face area - m <sup>2</sup> (sq. ft.)		1.35 (14.5) / 1.45 (15.6)	1.35 (14.5) / 1.45 (15.6)	1.65 (17.8) / 1.79 (19.3)
	Number of rows		1 (2)	1 (2)	1 (2)
	Fins per meter (Fins per inch)		905 (23) / 787 (20)	905 (23) / 787 (20)	905 (23) / 787 (20)
	Motor W (hp)		187 (1/4)	187 (1/4)	249 (1/3)
<b>Outdoor Coil Fan</b>	Motor rev/min		690	705	900
	Total motor watts		247	247	284
	Diameter - mm (in.) / No. of blades		610 (24) - 4	610 (24) - 4	610 (24) - 3
	Total air volume - L/s (cfm)		1554 (3292)	1554 (3292)	1850 (3920)
	Net face area - m <sup>2</sup> (sq. ft.)		0.7 (7.8)	0.7 (7.8)	0.9 (9.7)
<b>Indoor Coil</b>	Number of rows		3	3	4
	Fins per meter (Fins per inch)		551 (14)	551 (14)	551 (14)
	Drain Connection (no. and size) - in.		(1) 1 NPT	(1) 1 NPT	(1) 1 NPT
	Expansion device type		Balanced Port Thermostatic Expansion Valve, removable power head		
	<b><sup>4</sup> Indoor Blower &amp; Drive Selection</b>	Nominal Motor kW (hp)		1.5 (2)	1.5 (2)
Maximum Usable Motor kW (hp)			1.7 (2.3)	1.7 (2.3)	1.7 (2.3)
Drive Kit (rev/min range)			A01 - (561 - 842) A05 - (748 - 1122)	A02 - (621 - 931) A06 - (893 - 1191)	A03 - (694 - 1042) A07 - (1010 - 1290)
Wheel nominal diameter x width - mm (in.)			254 X 254 (10 X 10)	254 X 254 (10 X 10)	254 X 254 (10 X 10)
<b>Filters</b>		Type		Disposable	
	Number and size - mm (in.)		(4) 406 x 508 x51 (16 x 20 x 2)	(4) 406 x 508 x51 (16 x 20 x 2)	(4) 508 x 508 x51 (20 x 20 x 2)
<b>Electrical Characteristics - 50 Hz</b>			380/420V - 50 hertz - 3 phase with neutral		

NOTE - Net capacity includes evaporator blower motor heat deduction. Gross capacity does not include evaporator blower motor heat deduction.

<sup>1</sup> Tested at conditions which are based on AHRI Standard 210/240; 35°C (95°F) outdoor air temperature and 27°C (80°F) dry bulb/19°C (67°F) wet bulb entering evaporator air; minimum external duct static pressure while operating at rated voltage and air volumes.

<sup>2</sup> Rated at 46°C (115°F) outdoor air temperature and 27°C (80°F) db/19°C (67°F) wb entering evaporator air (T3 Conditions).

<sup>3</sup> Sound Rating Number rated in accordance with test conditions included in AHRI Standard 270.

<sup>4</sup> Using total air volume and system static pressure requirements determine from blower performance tables rev/min and motor size required. Maximum usable size of motors furnished is shown. If motors of comparable size are used, be sure to keep within the service factor limitations outlined on the motor nameplate.

**SPECIFICATIONS**
**21 KW**

General Data		Nominal Tonnage	21 kW (6 Ton)	21 kW (6 Ton)
		Model No.	KCB072H4B	KCB074S4B
		Efficiency Type	High	Standard
		Blower Type	Single Speed Belt Drive	Single Speed Belt Drive
<b>Cooling Performance</b>	Gross Cooling Capacity - kW (Btuh)		18.6 (63 600)	18.0 (61 500)
	<sup>1</sup> Net Cooling Capacity - kW (Btuh)		18.3 (62 300)	17.3 (58 900)
	Rated Air Flow - (L/s) cfm		906 (1920)	991 (2100)
	<sup>3</sup> Sound Rating Number (dB)		79	79
	Total Unit Power - kW		5.1	5.2
	<sup>1</sup> IEER (Btuh/Watt)		13.5	13.0
	<sup>1</sup> EER (Btuh/Watt) at 35°C (95°F)		12.2	11.3
	<sup>2</sup> EER (Btuh/Watt) at 46°C (115°F)		8.3	8.0
<b>Refrigerant Charge</b>	Refrigerant Type		R-410A	R-410A
	Environ™ Coil System		3.4 kg (7 lbs. 8 oz.)	3.23 kg (7 lbs. 2 oz.)
	Conventional Fin/Tube Coil		- - -	6.58 kg (14 lbs. 8 oz.)
<b>Compressor Type (one per unit)</b>			Scroll (1)	Two-Stage Scroll (1)
<b>Outdoor Coil Environ™ (Fin/Tube)</b>	Net face area - m <sup>2</sup> (sq. ft.)		1.65 (17.8)	1.65 (17.8) / 1.79 (19.3)
	Number of rows		1	1 (2)
	Fins per meter (Fins per inch)		905 (23)	905 (23) / 787 (20)
<b>Outdoor Coil Fan</b>	Motor W (hp)		(1) 249 (1/3)	(1) 249 (1/3)
	Motor rev/min		900	900
	Total motor watts		310	284
	Diameter - mm (in.) / No. of blades		(1) 610 (24) - 3	(1) 610 (24) - 3
	Total air volume - L/s (cfm)		1888 (4000)	1850 (3920)
<b>Indoor Coil</b>	Net face area - m <sup>2</sup> (sq. ft.)		0.9 (9.72)	0.9 (9.72)
	Number of rows		4	4
	Fins per meter (Fins per inch)		551 (14)	551 (14)
	Drain Connection (no. and size) - in.		(1) 1 in. NPT	(1) 1 in. NPT
	Expansion device type		Balanced Port Thermostatic Expansion Valve, removable power head	
<sup>4</sup> <b>Indoor Blower &amp; Drive Selection</b>	Nominal Motor kW (hp)		1.5 (2)	1.5 (2)
	Maximum Usable Motor kW (hp)		1.7 (2.3)	1.7 (2.3)
	Drive Kit (rev/min range)		AA02 - (527 - 729) AA03 - (665 - 921) AA04 - (768 - 1023)	A08 (994 - 1326) A09 (1193 - 1594)
	Wheel nominal diameter x width - mm (in.)		381 x 229 (15 x 9)	254 x 254 (10 x 10)
<b>Filters</b>	Type		Disposable	
	Number and size - mm (in.)		(4) 508 x 508 x 51 (20 x 20 x 2)	(4) 508 x 508 x 51 (20 x 20 x 2)
<b>Electrical Characteristics - 50 Hz</b>			380/420V - 50 hertz - 3 phase with neutral	

NOTE - Net capacity includes evaporator blower motor heat deduction. Gross capacity does not include evaporator blower motor heat deduction.

<sup>1</sup> Tested at conditions which are based on AHRI Standard 340/360; 35°C (95°F) outdoor air temperature and 27°C (80°F) dry bulb/19°C (67°F) wet bulb entering evaporator air; minimum external duct static pressure while operating at rated voltage and air volumes.

<sup>2</sup> Rated at 46°C (115°F) outdoor air temperature and 27°C (80°F) db/19°C (67°F) wb entering evaporator air (T3 Conditions).

<sup>3</sup> Sound Rating Number rated in accordance with test conditions included in AHRI Standard 270.

<sup>4</sup> Using total air volume and system static pressure requirements determine from blower performance tables rev/min and motor size required. Maximum usable size of motors furnished is shown. If motors of comparable size are used, be sure to keep within the service factor limitations outlined on the motor nameplate.

**SPECIFICATIONS**
**21 KW**

General Data		Nominal Tonnage	21 kW (6 Ton)	21 kW (6 Ton)
		Model No.	KCB074H4T	KCB074S4T
		Efficiency Type	High	Standard
		Blower Type	Two Speed Belt Drive	Two Speed Belt Drive
Cooling Performance	Gross Cooling Capacity - kW (Btuh)		18.3 (62 300)	18.0 (61 500)
	<sup>1</sup> Net Cooling Capacity - kW (Btuh)		17.5 (59 700)	17.3 (58 900)
	Rated Air Flow - (L/s) cfm		991 (2100)	991 (2100)
	<sup>3</sup> Sound Rating Number (dB)		79	79
	Total Unit Power - kW		4.9	5.2
	<sup>1</sup> IEER (Btuh/Watt)		16.2	15.0
	<sup>1</sup> EER (Btuh/Watt) at 35°C (95°F)		12.2	11.3
	<sup>2</sup> EER (Btuh/Watt) at 46°C (115°F)		8.3	8.0
Refrigerant Charge	Refrigerant Type		R-410A	R-410A
	Environ™ Coil System		3.23 kg (7 lbs. 2 oz.)	3.23 kg (7 lbs. 2 oz.)
	Conventional Fin/Tube Coil		- - -	6.58 kg (14 lbs. 8 oz.)
Compressor Type (one per unit)			Two-Stage Scroll (1)	Two-Stage Scroll (1)
Outdoor Coil Environ™ (Fin/Tube)	Net face area - m <sup>2</sup> (sq. ft.)		1.65 (17.8)	1.65 (17.8)
	Number of rows		1	1
	Fins per meter (Fins per inch)		905 (23)	905 (23)
Outdoor Coil Fan	Motor W (hp)		(1) 249 (1/3)	(1) 249 (1/3)
	Motor rev/min		900	900
	Total motor watts		284	284
	Diameter - mm (in.) / No. of blades		(1) 610 (24) - 3	(1) 610 (24) - 3
	Total air volume - L/s (cfm)		1848 (3900)	1848 (3900)
Indoor Coil	Net face area - m <sup>2</sup> (sq. ft.)		0.9 (9.72)	0.9 (9.72)
	Number of rows		4	4
	Fins per meter (Fins per inch)		551 (14)	551 (14)
	Drain Connection (no. and size) - in.		(1) 1 in. NPT	(1) 1 in. NPT
	Expansion device type		Balanced Port Thermostatic Expansion Valve, removable power head	
<sup>4</sup> Indoor Blower & Drive Selection	Nominal Motor kW (hp)		1.2 (1.7)	1.2 (1.7)
	Maximum Usable Motor kW (hp)		1.4 (1.9)	1.4 (1.9)
	Drive Kit (rev/min range)		AA02 - (527 - 729) AA03 - (665 - 921) AA04 - (768 - 1023)	A04 - (807 - 1117) A08 - (994 - 1326)
	Wheel nominal diameter x width - mm (in.)		381 x 229 (15 x 9)	254 x 254 x (10 x 10)
Filters	Type		Disposable	
	Number and size - mm (in.)		(4) 508 x 508 x 51 (20 x 20 x 2)	(4) 508 x 508 x 51 (20 x 20 x 2)
Electrical Characteristics - 50 Hz			380/420V - 50 hertz - 3 phase with neutral	

NOTE - Net capacity includes evaporator blower motor heat deduction. Gross capacity does not include evaporator blower motor heat deduction.

<sup>1</sup> Tested at conditions which are based on AHRI Standard 340/360; 35°C (95°F) outdoor air temperature and 27°C (80°F) dry bulb/19°C (67°F) wet bulb entering evaporator air; minimum external duct static pressure while operating at rated voltage and air volumes.

<sup>2</sup> Rated at 46°C (115°F) outdoor air temperature and 27°C (80°F) db/19°C (67°F) wb entering evaporator air (T3 Conditions).

<sup>3</sup> Sound Rating Number rated in accordance with test conditions included in AHRI Standard 270.

<sup>4</sup> Using total air volume and system static pressure requirements determine from blower performance tables rev/min and motor size required. Maximum usable size of motors furnished is shown. If motors of comparable size are used, be sure to keep within the service factor limitations outlined on the motor nameplate.



**SPECIFICATIONS**
**26.4 KW**

General Data		Nominal Tonnage	26.4 kW (7.5 Ton)	26.4 kW (7.5 Ton)
		Model No.	KCB090S4T	KCB090S4B
		Efficiency Type	Standard	Standard
		Blower Type	Two Speed Belt Drive	Single Speed Belt Drive
Cooling Performance	Gross Cooling Capacity - kW (Btuh)		23.1 (79 000)	23.1 (79 000)
	<sup>1</sup> Net Cooling Capacity - kW (Btuh)		22.4 (76 500)	22.4 (76 500)
	Rated Air Flow - (L/s) cfm		2225	2225
	<sup>3</sup> Sound Rating Number (dB)		79	79
	Total Unit Power - kW		6.8	6.8
	<sup>1</sup> IEER (Btuh/Watt)		14.0	13.0
	<sup>1</sup> EER (Btuh/Watt) at 35°C (95°F)		11.3	11.3
	<sup>2</sup> EER (Btuh/Watt) at 46°C (115°F)		8.1	8.1
Refrigerant Charge	Refrigerant Type		R-410A	R-410A
	Environ™ Coil System		4.19 kg (9 lbs. 4 oz.)	4.19 kg (9 lbs. 4 oz.)
	Conventional Fin/Tube Coil		8.11 kg (17 lbs. 14 oz.)	8.11 kg (17 lbs. 14 oz.)
Compressor Type (one per unit)			Two-Stage Scroll (1)	Two-Stage Scroll (1)
Outdoor Coil Environ™ (Fin/Tube)	Net face area - m <sup>2</sup> (sq. ft.)		2.25 (24.2) / 2.57 (27.7)	2.25 (24.2) / 2.57 (27.7)
	Number of rows		1 (2)	1 (2)
	Fins per meter (Fins per inch)		905 (23) / 787 (20)	905 (23) / 787 (20)
Outdoor Coil Fan	Motor W (hp)		374 (1/2)	374 (1/2)
	Motor rev/min		900	900
	Total motor watts		433	433
	Diameter - mm (in.) / No. of blades		610 (24) - 4	610 (24) - 4
	Total air volume - L/s (cfm)		2085 (4420)	2085 (4420)
Indoor Coil	Net face area - m <sup>2</sup> (sq. ft.)		0.9 (9.7)	0.9 (9.7)
	Number of rows		4	4
	Fins per meter (Fins per inch)		551 (14)	551 (14)
	Drain Connection (no. and size) - in.		(1) 1 in. NPT	(1) 1 in. NPT
	Expansion device type		Balanced Port Thermostatic Expansion Valve, removable power head	
<sup>4</sup> Indoor Blower & Drive Selection	Nominal Motor kW (hp)		1.2 (1.7)	1.5 (2), 2.2 (3)
	Maximum Usable Motor kW (hp)		1.4 (1.9)	1.7 (2.3), 2.57 (3.45)
	Drive Kit (rev/min range)		AA02 - (527 - 729) AA03 - (665 - 921) AA04 - (768 - 1023)	AA02 - (527 - 729) AA03 - (665 - 921) AA04 - (768 - 1023) AA05 - (921 - 1177)
	Wheel nominal diameter x width - mm (in.)		381 x 229 (15 x 9)	381 x 229 (15 x 9)
	Filters	Type	Disposable	
	Number and size - mm (in.)	(4) 508 x 508 x 51 (20 x 20 x 2)	(4) 508 x 508 x 51 (20 x 20 x 2)	
Electrical Characteristics - 50 Hz			380/420V - 50 hertz - 3 phase with neutral	

NOTE - Net capacity includes evaporator blower motor heat deduction. Gross capacity does not include evaporator blower motor heat deduction.

<sup>1</sup> Tested at conditions which are based on AHRI Standard 340/360; 35°C (95°F) outdoor air temperature and 27°C (80°F) dry bulb/19°C (67°F) wet bulb entering evaporator air; minimum external duct static pressure while operating at rated voltage and air volumes.

<sup>2</sup> Rated at 46°C (115°F) outdoor air temperature and 27°C (80°F) db/19°C (67°F) wb entering evaporator air (T3 Conditions).

<sup>3</sup> Sound Rating Number rated in accordance with test conditions included in AHRI Standard 270.

<sup>4</sup> Using total air volume and system static pressure requirements determine from blower performance tables rev/min and motor size required. Maximum usable size of motors furnished is shown. If motors of comparable size are used, be sure to keep within the service factor limitations outlined on the motor nameplate.

# RATINGS

NOTE – For Temperatures and Capacities not shown in tables, see bulletin – Cooling Unit Rating Table Correction Factor Data in Miscellaneous Engineering Data section.

## 10.5 KW - KCB036S4

Entering Wet Bulb Temperature	Total Air Volume	Outdoor Air Temperature Entering Outdoor Coil																			
		26.7°C					35°C					43.3°C					46°C				
		Total Cool Cap.	Comp. Motor Input	Sensible To Total Ratio (S/T)			Total Cool Cap.	Comp. Motor Input	Sensible To Total Ratio (S/T)			Total Cool Cap.	Comp. Motor Input	Sensible To Total Ratio (S/T)			Total Cool Cap.	Comp. Motor Input	Sensible To Total Ratio (S/T)		
				Dry Bulb					Dry Bulb					Dry Bulb					Dry Bulb		
L/s	kW	kW	24°C	27°C	29°C	kW	kW	24°C	27°C	29°C	kW	kW	24°C	27°C	29°C	kW	kW	24°C	27°C	29°C	
17.2°C	455	9.6	1.57	0.73	0.9	1	8.7	1.9	0.75	0.94	1	7.7	2.35	0.77	0.99	1	7.4	2.53	0.8	1	1
	565	10.1	1.58	0.8	1	1	9.3	1.91	0.82	1	1	8.4	2.35	0.86	1	1	8.1	2.53	0.9	1	1
	680	10.8	1.59	0.87	1	1	9.9	1.92	0.91	1	1	8.9	2.35	0.97	1	1	8.6	2.53	0.99	1	1
19.4°C	455	10.3	1.58	0.56	0.71	0.86	9.3	1.91	0.56	0.73	0.9	8.4	2.35	0.57	0.75	0.95	8.0	2.53	0.58	0.78	0.97
	565	10.8	1.59	0.6	0.78	0.97	9.8	1.92	0.61	0.8	1	8.8	2.35	0.62	0.84	1	8.4	2.53	0.64	0.87	1
	680	11.1	1.6	0.64	0.85	1	10.1	1.92	0.65	0.89	1	9.1	2.36	0.67	0.94	1	8.7	2.53	0.7	0.96	1
21.7°C	455	10.9	1.59	0.41	0.55	0.69	10	1.92	0.4	0.56	0.7	9	2.35	0.39	0.56	0.72	8.6	2.53	0.39	0.58	0.75
	565	11.5	1.6	0.43	0.6	0.76	10.4	1.93	0.43	0.6	0.77	9.4	2.36	0.42	0.62	0.8	9.0	2.52	0.42	0.63	0.85
	680	11.8	1.62	0.45	0.64	0.83	10.8	1.94	0.45	0.65	0.86	9.7	2.36	0.44	0.67	0.91	9.3	2.53	0.45	0.69	0.94
Entering Wet Bulb Temperature	Total Air Volume	Outdoor Air Temperature Entering Outdoor Coil																			
		48°C					50°C					51.7°C									
		Total Cool Cap.	Comp. Motor Input	Sensible To Total Ratio (S/T)			Total Cool Cap.	Comp. Motor Input	Sensible To Total Ratio (S/T)			Total Cool Cap.	Comp. Motor Input	Sensible To Total Ratio (S/T)							
				Dry Bulb					Dry Bulb					Dry Bulb							
L/s	kW	kW	24°C	27°C	29°C	kW	kW	24°C	27°C	29°C	kW	kW	24°C	27°C	29°C						
17.2°C	455	7.2	2.69	0.79	1	1	7	2.86	0.8	1	1	6.8	3.03	0.81	1	1					
	565	7.9	2.68	0.9	1	1	7.6	2.85	0.92	1	1	7.4	3.02	0.93	1	1					
	680	8.4	2.68	1	1	1	8.1	2.84	1	1	1	7.9	3	1	1	1					
19.4°C	455	7.7	2.68	0.57	0.76	0.98	7.4	2.87	0.57	0.77	1	7.2	3.02	0.58	0.78	1					
	565	8.1	2.68	0.62	0.87	1	7.8	2.86	0.63	0.88	1	7.6	3.01	0.64	0.9	1					
	680	8.4	2.68	0.69	0.97	1	8.1	2.85	0.69	0.99	1	7.9	3	0.7	1	1					
21.7°C	455	8.4	2.68	0.38	0.56	0.74	8.1	2.85	0.37	0.56	0.74	7.8	3.01	0.37	0.56	0.75					
	565	8.8	2.67	0.41	0.62	0.84	8.4	2.84	0.41	0.63	0.85	8.2	3	0.4	0.63	0.87					
	680	9.1	2.67	0.44	0.68	0.94	8.7	2.84	0.44	0.69	0.96	8.5	3	0.44	0.7	0.98					

# RATINGS

NOTE – For Temperatures and Capacities not shown in tables, see bulletin – Cooling Unit Rating Table Correction Factor Data in Miscellaneous Engineering Data section.

## 14 KW - KCB048S4

Entering Wet Bulb Temperature	Total Air Volume	Outdoor Air Temperature Entering Outdoor Coil																			
		26.7°C					35°C					43.3°C					46°C				
		Total Cool Cap.	Comp. Motor Input	Sensible To Total Ratio (S/T)			Total Cool Cap.	Comp. Motor Input	Sensible To Total Ratio (S/T)			Total Cool Cap.	Comp. Motor Input	Sensible To Total Ratio (S/T)			Total Cool Cap.	Comp. Motor Input	Sensible To Total Ratio (S/T)		
				Dry Bulb					Dry Bulb					Dry Bulb					Dry Bulb		
L/s	kW	kW	24°C	27°C	29°C	kW	kW	24°C	27°C	29°C	kW	kW	24°C	27°C	29°C	kW	kW	24°C	27°C	29°C	
17.2°C	605	12.7	2.23	0.71	0.9	1	11.3	2.69	0.73	0.96	1	9.9	3.25	0.76	1	1	9.5	3.45	0.81	1	1
	755	13.4	2.24	0.78	1	1	12	2.71	0.81	1	1	10.7	3.27	0.87	1	1	10.3	3.47	0.92	1	1
	905	14.1	2.25	0.86	1	1	12.7	2.72	0.91	1	1	11.3	3.29	0.98	1	1	10.8	3.49	1	1	1
19.4°C	605	13.5	2.24	0.55	0.69	0.85	12.1	2.71	0.55	0.72	0.91	10.6	3.26	0.56	0.74	0.97	10.1	3.47	0.58	0.79	1
	755	14.2	2.25	0.59	0.76	0.98	12.6	2.72	0.6	0.79	1	11.1	3.28	0.61	0.84	1	10.6	3.49	0.64	0.9	1
	905	14.6	2.26	0.63	0.83	1	13	2.73	0.65	0.89	1	11.4	3.29	0.66	0.96	1	10.9	3.49	0.7	0.99	1
21.7°C	605	14.4	2.25	0.4	0.54	0.67	12.9	2.72	0.39	0.54	0.7	11.4	3.29	0.38	0.55	0.72	10.9	3.49	0.38	0.58	0.77
	755	15.1	2.26	0.43	0.58	0.74	13.5	2.74	0.41	0.6	0.77	11.9	3.3	0.4	0.61	0.81	11.4	3.51	0.41	0.65	0.87
	905	15.5	2.27	0.44	0.62	0.81	13.9	2.75	0.44	0.65	0.86	12.2	3.31	0.43	0.66	0.93	11.7	3.52	0.44	0.71	0.97
Entering Wet Bulb Temperature	Total Air Volume	Outdoor Air Temperature Entering Outdoor Coil																			
		48°C					50°C					51.7°C									
		Total Cool Cap.	Comp. Motor Input	Sensible To Total Ratio (S/T)			Total Cool Cap.	Comp. Motor Input	Sensible To Total Ratio (S/T)			Total Cool Cap.	Comp. Motor Input	Sensible To Total Ratio (S/T)							
				Dry Bulb					Dry Bulb					Dry Bulb							
L/s	kW	kW	24°C	27°C	29°C	kW	kW	24°C	27°C	29°C	kW	kW	24°C	27°C	29°C						
17.2°C	605	9.2	3.62	0.78	1	1	8.8	3.81	0.79	1	1	8.5	3.97	0.81	1	1					
	755	9.9	3.65	0.91	1	1	9.6	3.83	0.94	1	1	9.2	3.99	0.96	1	1					
	905	10.5	3.67	1	1	1	10.1	3.84	1	1	1	9.8	4.01	1	1	1					
19.4°C	605	9.7	3.64	0.56	0.77	1	9.3	3.82	0.56	0.77	1	8.9	3.98	0.57	0.78	1					
	755	10.1	3.65	0.62	0.88	1	9.8	3.83	0.63	0.91	1	9.4	3.99	0.63	0.93	1					
	905	10.5	3.67	0.68	1	1	10.1	3.84	0.69	1	1	9.8	4.01	0.7	1	1					
21.7°C	605	10.5	3.66	0.37	0.56	0.74	10.1	3.84	0.37	0.56	0.75	9.7	4.01	0.36	0.56	0.76					
	755	10.9	3.68	0.4	0.62	0.86	10.5	3.86	0.4	0.63	0.88	10.1	4.02	0.39	0.63	0.9					
	905	11.2	3.69	0.43	0.68	0.98	10.8	3.87	0.43	0.69	1	10.4	4.03	0.43	0.7	1					

# RATINGS

NOTE – For Temperatures and Capacities not shown in tables, see bulletin – Cooling Unit Rating Table Correction Factor Data in Miscellaneous Engineering Data section.

## 17.5 KW - KCB060S4

Entering Wet Bulb Temperature	Total Air Volume	Outdoor Air Temperature Entering Outdoor Coil																			
		26.7°C					35°C					43.3°C					46°C				
		Total Cool Cap.	Comp. Motor Input	Sensible To Total Ratio (S/T)			Total Cool Cap.	Comp. Motor Input	Sensible To Total Ratio (S/T)			Total Cool Cap.	Comp. Motor Input	Sensible To Total Ratio (S/T)			Total Cool Cap.	Comp. Motor Input	Sensible To Total Ratio (S/T)		
				Dry Bulb					Dry Bulb					Dry Bulb					Dry Bulb		
L/s	kW	kW	24°C	27°C	29°C	kW	kW	24°C	27°C	29°C	kW	kW	24°C	27°C	29°C	kW	kW	24°C	27°C	29°C	
17.2°C	755	15.8	2.67	0.73	0.91	1	14.4	3.21	0.74	0.94	1	12.9	3.89	0.76	1	1	12.4	4.14	0.81	1	1
	945	16.6	2.69	0.79	1	1	15.4	3.23	0.82	1	1	14	3.92	0.87	1	1	13.4	4.17	0.91	1	1
	1135	17.6	2.7	0.87	1	1	16.3	3.25	0.92	1	1	14.7	3.95	0.98	1	1	14.2	4.21	1	1	1
19.4°C	755	16.9	2.69	0.56	0.71	0.86	15.5	3.23	0.56	0.72	0.9	13.8	3.92	0.57	0.74	0.95	13.3	4.18	0.58	0.79	0.98
	945	17.7	2.7	0.6	0.77	0.97	16.2	3.24	0.61	0.79	1	14.4	3.94	0.63	0.84	1	13.9	4.19	0.66	0.89	1
	1135	18.3	2.71	0.64	0.85	1	16.7	3.25	0.65	0.89	1	14.9	3.95	0.68	0.95	1	14.3	4.20	0.71	0.98	1
21.7°C	755	18.1	2.71	0.42	0.55	0.68	16.6	3.25	0.41	0.55	0.7	14.8	3.95	0.4	0.56	0.72	14.2	4.20	0.41	0.58	0.76
	945	18.8	2.72	0.41	0.58	0.74	17.3	3.26	0.43	0.6	0.77	15.5	3.96	0.42	0.62	0.82	14.9	4.22	0.43	0.65	0.87
	1135	19.5	2.73	0.44	0.63	0.82	17.9	3.27	0.44	0.65	0.86	16	3.98	0.45	0.67	0.92	15.3	4.24	0.47	0.71	0.95

Entering Wet Bulb Temperature	Total Air Volume	Outdoor Air Temperature Entering Outdoor Coil														
		48°C					50°C					51.7°C				
		Total Cool Cap.	Comp. Motor Input	Sensible To Total Ratio (S/T)			Total Cool Cap.	Comp. Motor Input	Sensible To Total Ratio (S/T)			Total Cool Cap.	Comp. Motor Input	Sensible To Total Ratio (S/T)		
				Dry Bulb					Dry Bulb					Dry Bulb		
L/s	kW	kW	24°C	27°C	29°C	kW	kW	24°C	27°C	29°C	kW	kW	24°C	27°C	29°C	
17.2°C	755	12	4.35	0.79	1	1	11.6	4.57	0.79	1	1	11.3	4.76	0.82	1	1
	945	13	4.39	0.91	1	1	12.5	4.60	0.94	1	1	12.1	4.8	0.95	1	1
	1135	13.7	4.41	1	1	1	13.2	4.63	1	1	1	12.8	4.83	1	1	1
19.4°C	755	12.8	4.38	0.58	0.77	1	12.3	4.59	0.58	0.78	1	11.8	4.78	0.58	0.79	1
	945	13.4	4.40	0.64	0.88	1	12.8	4.62	0.65	0.91	1	12.3	4.81	0.65	0.93	1
	1135	13.7	4.41	0.69	0.99	1	13.2	4.63	0.7	1	1	12.7	4.82	0.71	1	1
21.7°C	755	13.7	4.41	0.39	0.57	0.74	13.1	4.63	0.39	0.57	0.76	12.7	4.82	0.39	0.58	0.77
	945	14.3	4.43	0.42	0.63	0.85	13.8	4.65	0.42	0.64	0.88	13.3	4.84	0.42	0.65	0.9
	1135	14.7	4.45	0.45	0.69	0.97	14.2	4.67	0.45	0.7	0.99	13.6	4.86	0.46	0.71	1

# RATINGS

NOTE – For Temperatures and Capacities not shown in tables, see bulletin – Cooling Unit Rating Table Correction Factor Data in Miscellaneous Engineering Data section.

## 21 kW - KCB072H4

Entering Wet Bulb Temperature	Total Air Volume	Outdoor Air Temperature Entering Outdoor Coil																			
		26.7°C					35°C					43.3°C					46°C				
		Total Cool Cap.	Comp. Motor Input	Sensible To Total Ratio (S/T)			Total Cool Cap.	Comp. Motor Input	Sensible To Total Ratio (S/T)			Total Cool Cap.	Comp. Motor Input	Sensible To Total Ratio (S/T)			Total Cool Cap.	Comp. Motor Input	Sensible To Total Ratio (S/T)		
				Dry Bulb					Dry Bulb					Dry Bulb					Dry Bulb		
L/s	kW	kW	24°C	27°C	29°C	kW	kW	24°C	27°C	29°C	kW	kW	24°C	27°C	29°C	kW	kW	24°C	27°C	29°C	
17.2°C	905	17.9	3.51	0.78	0.96	1.00	16.5	4.10	0.80	1.00	1.00	15.0	4.80	0.84	1.00	1.00	14.5	5.05	0.86	1.00	1.00
	1135	19.0	3.52	0.85	1.00	1.00	17.7	4.11	0.88	1.00	1.00	16.1	4.81	0.94	1.00	1.00	15.6	5.07	0.96	1.00	1.00
	1360	20.1	3.53	0.92	1.00	1.00	18.6	4.12	0.97	1.00	1.00	17.0	4.83	1.00	1.00	1.00	16.5	5.09	1.00	1.00	1.00
19.4°C	905	18.9	3.52	0.62	0.78	0.90	17.4	4.11	0.63	0.81	0.93	15.7	4.81	0.64	0.84	0.98	15.1	5.07	0.66	0.86	1.00
	1135	19.8	3.53	0.66	0.86	0.98	18.2	4.12	0.68	0.90	1.00	16.4	4.82	0.70	0.95	1.00	15.8	5.07	0.72	0.97	1.00
	1360	20.5	3.54	0.71	0.94	1.00	18.8	4.12	0.73	0.98	1.00	17.1	4.83	0.77	1.00	1.00	16.4	5.08	0.78	1.00	1.00
21.7°C	905	20.6	3.54	0.40	0.56	0.66	19.0	4.13	0.40	0.57	0.68	17.1	4.83	0.40	0.58	0.70	16.6	5.09	0.40	0.58	0.71
	1135	21.5	3.55	0.42	0.60	0.71	19.8	4.13	0.42	0.62	0.74	17.9	4.84	0.42	0.63	0.78	17.3	5.10	0.42	0.65	0.80
	1360	22.2	3.56	0.43	0.64	0.77	20.3	4.14	0.44	0.66	0.81	18.4	4.85	0.45	0.69	0.86	17.7	5.11	0.45	0.70	0.87

Entering Wet Bulb Temperature	Total Air Volume	Outdoor Air Temperature Entering Outdoor Coil														
		48°C					50°C					51.7°C				
		Total Cool Cap.	Comp. Motor Input	Sensible To Total Ratio (S/T)			Total Cool Cap.	Comp. Motor Input	Sensible To Total Ratio (S/T)			Total Cool Cap.	Comp. Motor Input	Sensible To Total Ratio (S/T)		
				Dry Bulb					Dry Bulb					Dry Bulb		
L/s	kW	kW	24°C	27°C	29°C	kW	kW	24°C	27°C	29°C	kW	kW	24°C	27°C	29°C	
17.2°C	905	14.2	5.26	0.87	1.00	1.00	13.8	5.48	0.88	1.00	1.00	13.4	5.67	0.90	1.00	1.00
	1135	15.2	5.27	0.97	1.00	1.00	14.8	5.50	0.99	1.00	1.00	14.4	5.69	1.00	1.00	1.00
	1360	16.1	5.29	1.00	1.00	1.00	15.6	5.51	1.00	1.00	1.00	15.1	5.70	1.00	1.00	1.00
19.4°C	905	14.7	5.26	0.66	0.88	1.00	14.2	5.49	0.67	0.89	1.00	13.7	5.67	0.67	0.91	1.00
	1135	15.3	5.28	0.73	0.99	1.00	14.8	5.49	0.74	1.00	1.00	14.4	5.69	0.75	1.00	1.00
	1360	16.0	5.29	0.79	1.00	1.00	15.5	5.51	0.81	1.00	1.00	15.1	5.71	0.81	1.00	1.00
21.7°C	905	16.1	5.29	0.40	0.59	0.72	15.5	5.51	0.41	0.60	0.74	15.1	5.70	0.41	0.61	0.75
	1135	16.7	5.31	0.42	0.66	0.81	16.2	5.53	0.43	0.67	0.82	15.7	5.72	0.43	0.67	0.84
	1360	17.2	5.32	0.45	0.71	0.89	16.7	5.54	0.45	0.73	0.91	16.1	5.73	0.46	0.73	0.93

# RATINGS

NOTE – For Temperatures and Capacities not shown in tables, see bulletin – Cooling Unit Rating Table Correction Factor Data in Miscellaneous Engineering Data section.

## 21 kW - KCB074S4T - COOLING CAPACITY (PART LOAD)

Entering Wet Bulb Temperature	Total Air Volume	Outdoor Air Temperature Entering Outdoor Coil																			
		18.1°C					24°C					29°C					35°C				
		Total Cool Cap.	Comp. Motor Input	Sensible To Total Ratio (S/T)			Total Cool Cap.	Comp. Motor Input	Sensible To Total Ratio (S/T)			Total Cool Cap.	Comp. Motor Input	Sensible To Total Ratio (S/T)			Total Cool Cap.	Comp. Motor Input	Sensible To Total Ratio (S/T)		
				Dry Bulb					Dry Bulb					Dry Bulb					Dry Bulb		
L/s	kW	kW	24°C	27°C	29°C	kW	kW	24°C	27°C	29°C	kW	kW	24°C	27°C	29°C	kW	kW	24°C	27°C	29°C	
17.2°C	565	13.7	1.88	0.74	0.88	0.97	13.1	2.16	0.75	0.90	0.99	12.5	2.44	0.76	0.92	1.00	11.7	2.81	0.78	0.95	1.00
	755	14.8	1.87	0.81	0.98	1.00	14.1	2.15	0.82	1.00	1.00	13.5	2.43	0.84	1.00	1.00	12.8	2.80	0.86	1.00	1.00
	945	16.0	1.85	0.88	1.00	1.00	15.3	2.14	0.90	1.00	1.00	14.6	2.41	0.92	1.00	1.00	13.7	2.79	0.95	1.00	1.00
19.4°C	565	14.7	1.87	0.59	0.74	0.82	14.0	2.15	0.60	0.75	0.84	13.3	2.43	0.61	0.76	0.86	12.5	2.80	0.62	0.78	0.88
	755	15.8	1.85	0.65	0.82	0.92	15.0	2.14	0.66	0.82	0.94	14.3	2.42	0.64	0.84	0.96	13.3	2.79	0.67	0.87	0.99
	945	16.5	1.84	0.69	0.88	1.00	15.7	2.13	0.71	0.91	1.00	15.0	2.41	0.71	0.93	1.00	14.0	2.79	0.73	0.96	1.00
21.7°C	565	16.1	1.85	0.41	0.54	0.62	15.3	2.14	0.41	0.54	0.63	14.6	2.41	0.41	0.55	0.64	13.7	2.79	0.41	0.56	0.65
	755	17.2	1.83	0.44	0.59	0.69	16.4	2.12	0.43	0.60	0.70	15.6	2.40	0.42	0.60	0.71	14.7	2.78	0.43	0.61	0.73
	945	18.1	1.82	0.45	0.63	0.74	17.2	2.11	0.45	0.64	0.75	16.4	2.39	0.45	0.64	0.78	15.4	2.77	0.46	0.67	0.80

## 21 kW - KCB074S4T - COOLING CAPACITY (FULL LOAD)

Entering Wet Bulb Temperature	Total Air Volume	Outdoor Air Temperature Entering Outdoor Coil																			
		26.7°C					35°C					43.3°C					46°C				
		Total Cool Cap.	Comp. Motor Input	Sensible To Total Ratio (S/T)			Total Cool Cap.	Comp. Motor Input	Sensible To Total Ratio (S/T)			Total Cool Cap.	Comp. Motor Input	Sensible To Total Ratio (S/T)			Total Cool Cap.	Comp. Motor Input	Sensible To Total Ratio (S/T)		
				Dry Bulb					Dry Bulb					Dry Bulb					Dry Bulb		
L/s	kW	kW	24°C	27°C	29°C	kW	kW	24°C	27°C	29°C	kW	kW	24°C	27°C	29°C	kW	kW	24°C	27°C	29°C	
17.2°C	905	18.0	3.26	0.80	0.97	1.00	16.5	3.90	0.82	1.00	1.00	15.1	4.69	0.86	1.00	1.00	14.7	4.98	0.87	1.00	1.00
	1135	19.1	3.29	0.87	1.00	1.00	17.8	3.95	0.90	1.00	1.00	16.2	4.73	0.95	1.00	1.00	15.7	5.01	0.97	1.00	1.00
	1360	20.2	3.33	0.94	1.00	1.00	18.6	3.98	0.98	1.00	1.00	17.1	4.76	1.00	1.00	1.00	16.6	5.05	1.00	1.00	1.00
19.4°C	905	19.0	3.29	0.64	0.81	0.91	17.5	3.93	0.65	0.83	0.95	15.8	4.71	0.67	0.86	0.99	15.2	5.00	0.68	0.88	1.00
	1135	19.9	3.32	0.69	0.88	0.99	18.2	3.96	0.70	0.91	1.00	16.5	4.74	0.73	0.97	1.00	15.9	5.02	0.75	0.98	1.00
	1360	20.5	3.34	0.73	0.95	1.00	18.8	3.98	0.76	0.99	1.00	17.0	4.76	0.79	1.00	1.00	16.5	5.04	0.81	1.00	1.00
21.7°C	905	20.6	3.34	0.44	0.59	0.68	18.9	3.99	0.43	0.59	0.70	17.1	4.76	0.42	0.61	0.72	16.6	5.04	0.43	0.62	0.74
	1135	21.5	3.37	0.44	0.62	0.74	19.7	4.02	0.45	0.64	0.77	17.8	4.79	0.45	0.66	0.80	17.2	5.07	0.44	0.68	0.82
	1360	22.1	3.39	0.46	0.66	0.80	20.3	4.04	0.47	0.69	0.84	18.3	4.81	0.47	0.72	0.88	17.7	5.09	0.47	0.73	0.90

Entering Wet Bulb Temperature	Total Air Volume	Outdoor Air Temperature Entering Outdoor Coil																	
		48°C					50°C					51.7°C							
		Total Cool Cap.	Comp. Motor Input	Sensible To Total Ratio (S/T)			Total Cool Cap.	Comp. Motor Input	Sensible To Total Ratio (S/T)			Total Cool Cap.	Comp. Motor Input	Sensible To Total Ratio (S/T)					
				Dry Bulb					Dry Bulb					Dry Bulb					
L/s	kW	kW	24°C	27°C	29°C	kW	kW	24°C	27°C	29°C	kW	kW	24°C	27°C	29°C				
17.2°C	905	14.3	5.21	0.88	1.00	1.00	14.0	5.44	0.89	1.00	1.00	13.6	5.64	0.91	1.00	1.00			
	1135	15.3	5.23	0.98	1.00	1.00	14.9	5.47	0.99	1.00	1.00	14.5	5.67	1.00	1.00	1.00			
	1360	16.1	5.27	1.00	1.00	1.00	15.7	5.50	1.00	1.00	1.00	15.2	5.70	1.00	1.00	1.00			
19.4°C	905	14.8	5.22	0.68	0.90	1.00	14.3	5.45	0.69	0.91	1.00	13.9	5.65	0.69	0.92	1.00			
	1135	15.4	5.24	0.75	0.99	1.00	14.9	5.47	0.76	1.00	1.00	14.6	5.68	0.77	1.00	1.00			
	1360	16.0	5.26	0.82	1.00	1.00	15.6	5.49	0.82	1.00	1.00	15.3	5.70	0.83	1.00	1.00			
21.7°C	905	16.1	5.26	0.43	0.63	0.75	15.6	5.50	0.43	0.63	0.76	15.2	5.69	0.42	0.63	0.76			
	1135	16.7	5.29	0.45	0.68	0.83	16.2	5.52	0.45	0.69	0.84	15.8	5.72	0.46	0.70	0.86			
	1360	17.2	5.31	0.48	0.74	0.91	16.7	5.54	0.48	0.75	0.93	16.1	5.73	0.48	0.76	0.94			

# RATINGS

NOTE – For Temperatures and Capacities not shown in tables, see bulletin – Cooling Unit Rating Table Correction Factor Data in Miscellaneous Engineering Data section.

## 21 kW - KCB074S4B - COOLING CAPACITY (PART LOAD)

Entering Wet Bulb Temperature	Total Air Volume	Outdoor Air Temperature Entering Outdoor Coil																			
		18.1°C					24°C					29°C					35°C				
		Total Cool Cap.	Comp. Motor Input	Sensible To Total Ratio (S/T)			Total Cool Cap.	Comp. Motor Input	Sensible To Total Ratio (S/T)			Total Cool Cap.	Comp. Motor Input	Sensible To Total Ratio (S/T)			Total Cool Cap.	Comp. Motor Input	Sensible To Total Ratio (S/T)		
				Dry Bulb					Dry Bulb					Dry Bulb					Dry Bulb		
L/s	kW	kW	24°C	27°C	29°C	kW	kW	24°C	27°C	29°C	kW	kW	24°C	27°C	29°C	kW	kW	24°C	27°C	29°C	
17.2°C	565	16.0	16.5	.86	1.00	1.00	15.3	19.9	.88	1.00	1.00	14.6	23.0	.90	1.00	1.00	13.7	27.1	.94	1.00	1.00
	755	17.1	16.3	.95	1.00	1.00	16.4	19.8	.97	1.00	1.00	15.6	22.9	.99	1.00	1.00	14.7	27.0	1.00	1.00	1.00
	945	18.1	16.1	1.00	1.00	1.00	17.2	19.6	1.00	1.00	1.00	16.4	22.8	1.00	1.00	1.00	15.4	27.0	1.00	1.00	1.00
19.4°C	565	16.7	16.3	.68	.87	.98	15.8	19.8	.69	.88	1.00	15.0	23.0	.70	.91	1.00	14.0	27.1	.72	.95	1.00
	755	17.4	16.2	.74	.96	1.00	16.5	19.7	.76	.98	1.00	15.7	22.9	.77	1.00	1.00	14.7	27.0	.80	1.00	1.00
	945	18.0	16.1	.79	1.00	1.00	17.2	19.6	.81	1.00	1.00	16.4	22.8	.83	1.00	1.00	15.4	27.0	.87	1.00	1.00
21.7°C	565	18.2	16.1	.45	.62	.74	17.2	19.6	.45	.62	.74	16.4	22.8	.45	.64	.76	15.3	27.0	.44	.65	.78
	755	18.9	16.0	.46	.68	.80	17.9	19.5	.48	.69	.83	17.1	22.8	.48	.70	.85	15.9	26.9	.48	.72	.88
	945	19.4	15.9	.48	.72	.88	18.5	19.5	.50	.74	.90	17.5	22.7	.50	.75	.91	16.3	26.9	.51	.78	.95

## 21 kW - KCB074S4B - COOLING CAPACITY (FULL LOAD)

Entering Wet Bulb Temperature	Total Air Volume	Outdoor Air Temperature Entering Outdoor Coil																			
		26.7°C					35°C					43.3°C					46°C				
		Total Cool Cap.	Comp. Motor Input	Sensible To Total Ratio (S/T)			Total Cool Cap.	Comp. Motor Input	Sensible To Total Ratio (S/T)			Total Cool Cap.	Comp. Motor Input	Sensible To Total Ratio (S/T)			Total Cool Cap.	Comp. Motor Input	Sensible To Total Ratio (S/T)		
				Dry Bulb					Dry Bulb					Dry Bulb					Dry Bulb		
L/s	kW	kW	24°C	27°C	29°C	kW	kW	24°C	27°C	29°C	kW	kW	24°C	27°C	29°C	kW	kW	24°C	27°C	29°C	
17.2°C	905	18.0	31.7	.80	.97	1.00	16.5	37.9	.82	1.00	1.00	15.1	45.6	.86	1.00	1.00	14.7	48.4	.87	1.00	1.00
	1135	19.1	32.0	.87	1.00	1.00	17.8	38.4	.90	1.00	1.00	16.2	45.9	.95	1.00	1.00	15.7	48.7	.97	1.00	1.00
	1360	20.2	32.3	.94	1.00	1.00	18.7	38.6	.98	1.00	1.00	17.1	46.3	1.00	1.00	1.00	16.6	49.0	1.00	1.00	1.00
19.4°C	905	19.0	32.0	.64	.81	.91	17.5	38.2	.65	.83	.95	15.8	45.8	.67	.86	.99	15.2	48.5	.68	.88	1.00
	1135	19.9	32.2	.69	.88	.99	18.2	38.5	.70	.91	1.00	16.5	46.1	.73	.97	1.00	15.9	48.8	.75	.98	1.00
	1360	20.5	32.4	.73	.95	1.00	18.8	38.7	.76	.99	1.00	17.1	46.2	.79	1.00	1.00	16.5	49.0	.81	1.00	1.00
21.7°C	905	20.6	32.5	.43	.59	.68	19.0	38.7	.43	.59	.70	17.2	46.3	.42	.61	.72	16.6	49.0	.43	.62	.74
	1135	21.5	32.7	.44	.62	.74	19.7	39.0	.45	.64	.77	17.8	46.5	.45	.66	.80	17.2	49.3	.44	.68	.82
	1360	22.1	33.0	.46	.66	.80	20.3	39.3	.46	.69	.84	18.3	46.8	.47	.72	.88	17.7	49.5	.47	.73	.90

Entering Wet Bulb Temperature	Total Air Volume	Outdoor Air Temperature Entering Outdoor Coil														
		48°C					50°C					51.7°C				
		Total Cool Cap.	Comp. Motor Input	Sensible To Total Ratio (S/T)			Total Cool Cap.	Comp. Motor Input	Sensible To Total Ratio (S/T)			Total Cool Cap.	Comp. Motor Input	Sensible To Total Ratio (S/T)		
				Dry Bulb					Dry Bulb					Dry Bulb		
L/s	kW	kW	24°C	27°C	29°C	kW	kW	24°C	27°C	29°C	kW	kW	24°C	27°C	29°C	
17.2°C	905	14.3	50.6	.88	1.00	1.00	14.0	52.9	.89	1.00	1.00	13.6	54.8	.91	1.00	1.00
	1135	15.3	50.9	.98	1.00	1.00	14.9	53.2	.99	1.00	1.00	14.5	55.1	1.00	1.00	1.00
	1360	16.1	51.2	1.00	1.00	1.00	15.7	53.5	1.00	1.00	1.00	15.2	55.4	1.00	1.00	1.00
19.4°C	905	14.8	50.7	.68	.90	1.00	14.3	52.9	.69	.91	1.00	13.9	54.9	.69	.92	1.00
	1135	15.4	50.9	.75	.99	1.00	14.9	53.2	.76	1.00	1.00	14.6	55.2	.77	1.00	1.00
	1360	16.0	51.1	.82	1.00	1.00	15.6	53.4	.82	1.00	1.00	15.3	55.4	.82	1.00	1.00
21.7°C	905	16.1	51.2	.43	.63	.75	15.6	53.4	.43	.63	.76	15.2	55.3	.42	.63	.76
	1135	16.7	51.4	.45	.68	.83	16.2	53.7	.45	.69	.84	15.8	55.6	.46	.70	.86
	1360	17.2	51.6	.48	.74	.91	16.7	53.8	.48	.75	.93	16.2	55.8	.48	.76	.94

# RATINGS

NOTE – For Temperatures and Capacities not shown in tables, see bulletin – Cooling Unit Rating Table Correction Factor Data in Miscellaneous Engineering Data section.

## 21 kW - KCB074H4T - COOLING CAPACITY (PART LOAD)

Entering Wet Bulb Temperature	Total Air Volume	Outdoor Air Temperature Entering Outdoor Coil																							
		18.1°C						24°C						29°C						35°C					
		Total Cool Cap.	Comp. Motor Input	Sensible To Total Ratio (S/T)			Total Cool Cap.	Comp. Motor Input	Sensible To Total Ratio (S/T)			Total Cool Cap.	Comp. Motor Input	Sensible To Total Ratio (S/T)			Total Cool Cap.	Comp. Motor Input	Sensible To Total Ratio (S/T)						
				Dry Bulb					Dry Bulb					Dry Bulb					Dry Bulb						
L/s	kW	kW	24°C	27°C	29°C	kW	kW	24°C	27°C	29°C	kW	kW	24°C	27°C	29°C	kW	kW	24°C	27°C	29°C					
17.2°C	565	13.7	1.85	0.74	0.88	0.97	13.1	2.13	0.75	0.90	0.99	12.5	2.40	0.76	0.92	1.00	11.7	2.77	0.78	0.95	1.00				
	755	14.8	1.84	0.81	0.98	1.00	14.1	2.12	0.82	1.00	1.00	13.5	2.39	0.84	1.00	1.00	12.8	2.76	0.86	1.00	1.00				
	945	16.0	1.83	0.88	1.00	1.00	15.3	2.11	0.90	1.00	1.00	14.6	2.38	0.92	1.00	1.00	13.7	2.75	0.95	1.00	1.00				
19.4°C	565	14.7	1.84	0.59	0.74	0.82	14.0	2.13	0.60	0.75	0.84	13.3	2.40	0.61	0.76	0.86	12.5	2.77	0.62	0.78	0.88				
	755	15.8	1.83	0.65	0.82	0.92	15.0	2.11	0.66	0.82	0.94	14.3	2.39	0.64	0.84	0.96	13.3	2.76	0.67	0.87	0.99				
	945	16.5	1.82	0.69	0.88	1.00	15.7	2.10	0.71	0.91	1.00	15.0	2.38	0.71	0.93	1.00	14.0	2.75	0.73	0.96	1.00				
21.7°C	565	16.1	1.83	0.41	0.54	0.62	15.3	2.11	0.42	0.54	0.63	14.6	2.38	0.41	0.55	0.64	13.7	2.75	0.41	0.56	0.65				
	755	17.2	1.81	0.43	0.59	0.69	16.4	2.09	0.43	0.60	0.70	15.6	2.37	0.42	0.60	0.71	14.7	2.74	0.43	0.61	0.73				
	945	18.1	1.80	0.45	0.63	0.74	17.2	2.08	0.45	0.64	0.75	16.4	2.36	0.45	0.64	0.78	15.4	2.73	0.46	0.67	0.80				

## 21 kW - KCB074H4T - COOLING CAPACITY (FULL LOAD)

Entering Wet Bulb Temperature	Total Air Volume	Outdoor Air Temperature Entering Outdoor Coil																							
		26.7°C						35°C						43.3°C						46°C					
		Total Cool Cap.	Comp. Motor Input	Sensible To Total Ratio (S/T)			Total Cool Cap.	Comp. Motor Input	Sensible To Total Ratio (S/T)			Total Cool Cap.	Comp. Motor Input	Sensible To Total Ratio (S/T)			Total Cool Cap.	Comp. Motor Input	Sensible To Total Ratio (S/T)						
				Dry Bulb					Dry Bulb					Dry Bulb					Dry Bulb						
L/s	kW	kW	24°C	27°C	29°C	kW	kW	24°C	27°C	29°C	kW	kW	24°C	27°C	29°C	kW	kW	24°C	27°C	29°C					
17.2°C	905	18.0	3.22	0.80	0.97	1.00	16.5	3.85	0.82	1.00	1.00	15.1	4.63	0.86	1.00	1.00	14.7	4.91	0.87	1.00	1.00				
	1135	19.1	3.25	0.87	1.00	1.00	17.8	3.90	0.90	1.00	1.00	16.2	4.66	0.95	1.00	1.00	15.7	4.94	0.97	1.00	1.00				
	1360	20.2	3.28	0.94	1.00	1.00	18.6	3.92	0.98	1.00	1.00	17.1	4.70	1.00	1.00	1.00	16.6	4.98	1.00	1.00	1.00				
19.4°C	905	19.0	3.25	0.64	0.81	0.91	17.5	3.88	0.65	0.83	0.95	15.8	4.65	0.67	0.86	0.99	15.2	4.93	0.68	0.88	1.00				
	1135	19.9	3.27	0.69	0.88	0.99	18.2	3.91	0.70	0.91	1.00	16.5	4.68	0.73	0.97	1.00	15.9	4.95	0.75	0.98	1.00				
	1360	20.5	3.29	0.73	0.95	1.00	18.8	3.93	0.76	0.99	1.00	17.1	4.69	0.79	1.00	1.00	16.5	4.97	0.81	1.00	1.00				
21.7°C	905	20.6	3.30	0.43	0.59	0.68	18.9	3.93	0.43	0.60	0.70	17.1	4.70	0.42	0.61	0.72	16.6	4.98	0.43	0.62	0.74				
	1135	21.5	3.32	0.44	0.62	0.74	19.7	3.96	0.45	0.64	0.77	17.8	4.72	0.45	0.66	0.80	17.2	5.00	0.44	0.68	0.82				
	1360	22.1	3.35	0.46	0.66	0.80	20.3	3.99	0.47	0.69	0.84	18.3	4.75	0.47	0.72	0.88	17.7	5.02	0.47	0.73	0.90				

Entering Wet Bulb Temperature	Total Air Volume	Outdoor Air Temperature Entering Outdoor Coil																	
		48°C						50°C						51.7°C					
		Total Cool Cap.	Comp. Motor Input	Sensible To Total Ratio (S/T)			Total Cool Cap.	Comp. Motor Input	Sensible To Total Ratio (S/T)			Total Cool Cap.	Comp. Motor Input	Sensible To Total Ratio (S/T)					
				Dry Bulb					Dry Bulb					Dry Bulb					
L/s	kW	kW	24°C	27°C	29°C	kW	kW	24°C	27°C	29°C	kW	kW	24°C	27°C	29°C				
17.2°C	905	14.3	5.14	0.88	1.00	1.00	14.0	5.37	0.89	1.00	1.00	13.6	5.57	0.91	1.00	1.00			
	1135	15.3	5.16	0.98	1.00	1.00	14.9	5.40	0.99	1.00	1.00	14.5	5.60	1.00	1.00	1.00			
	1360	16.1	5.20	1.00	1.00	1.00	15.7	5.43	1.00	1.00	1.00	15.2	5.62	1.00	1.00	1.00			
19.4°C	905	14.8	5.15	0.68	0.90	1.00	14.3	5.37	0.69	0.91	1.00	13.9	5.57	0.69	0.92	1.00			
	1135	15.4	5.17	0.75	0.99	1.00	14.9	5.40	0.76	1.00	1.00	14.6	5.60	0.77	1.00	1.00			
	1360	16.0	5.19	0.82	1.00	1.00	15.6	5.42	0.82	1.00	1.00	15.3	5.63	0.83	1.00	1.00			
21.7°C	905	16.1	5.19	0.43	0.63	0.75	15.6	5.42	0.43	0.63	0.76	15.2	5.62	0.42	0.63	0.76			
	1135	16.7	5.22	0.45	0.68	0.83	16.2	5.45	0.45	0.69	0.84	15.8	5.65	0.46	0.70	0.86			
	1360	17.2	5.24	0.48	0.74	0.91	16.7	5.47	0.48	0.75	0.93	16.1	5.66	0.48	0.76	0.94			



# RATINGS

NOTE – For Temperatures and Capacities not shown in tables, see bulletin – Cooling Unit Rating Table Correction Factor Data in Miscellaneous Engineering Data section.

## 21 kW - KCB090S4B - COOLING CAPACITY (PART LOAD)

Entering Wet Bulb Temperature	Total Air Volume	Outdoor Air Temperature Entering Outdoor Coil																			
		18.1°C					24°C					29°C					35°C				
		Total Cool Cap.	Comp. Motor Input	Sensible To Total Ratio (S/T)			Total Cool Cap.	Comp. Motor Input	Sensible To Total Ratio (S/T)			Total Cool Cap.	Comp. Motor Input	Sensible To Total Ratio (S/T)			Total Cool Cap.	Comp. Motor Input	Sensible To Total Ratio (S/T)		
				Dry Bulb					Dry Bulb					Dry Bulb					Dry Bulb		
L/s	kW	kW	24°C	27°C	29°C	kW	kW	24°C	27°C	29°C	kW	kW	24°C	27°C	29°C	kW	kW	24°C	27°C	29°C	
17.2°C	1135	19.8	2.18	0.87	1.00	1.00	18.7	2.59	0.89	1.00	1.00	17.6	2.97	0.91	1.00	1.00	16.2	3.47	0.94	1.00	1.00
	1415	21.4	2.18	0.96	1.00	1.00	20.0	2.59	0.98	1.00	1.00	18.9	2.97	1.00	1.00	1.00	17.5	3.47	1.00	1.00	1.00
	1700	22.5	2.18	1.00	1.00	1.00	21.1	2.59	1.00	1.00	1.00	19.9	2.97	1.00	1.00	1.00	18.4	3.47	1.00	1.00	1.00
19.4°C	1135	20.7	2.18	0.68	0.88	0.99	19.3	2.59	0.68	0.90	1.00	18.1	2.97	0.69	0.92	1.00	16.5	3.47	0.70	0.96	1.00
	1415	21.7	2.18	0.73	0.97	1.00	20.1	2.59	0.75	0.99	1.00	18.9	2.97	0.76	1.00	1.00	17.5	3.47	0.79	1.00	1.00
	1700	22.5	2.18	0.79	1.00	1.00	21.1	2.59	0.82	1.00	1.00	20.0	2.97	0.83	1.00	1.00	18.4	3.47	0.86	1.00	1.00
21.7°C	1135	22.8	2.18	0.42	0.61	0.73	21.2	2.59	0.44	0.62	0.75	19.9	2.97	0.42	0.62	0.76	18.3	3.47	0.41	0.63	0.78
	1415	23.7	2.18	0.45	0.67	0.80	22.1	2.59	0.44	0.68	0.83	20.7	2.97	0.45	0.69	0.85	19.0	3.47	0.45	0.71	0.88
	1700	24.5	2.19	0.48	0.72	0.88	22.7	2.59	0.48	0.74	0.91	21.3	2.97	0.48	0.75	0.94	19.5	3.47	0.47	0.77	0.97

## 21 kW - KCB090S4B - COOLING CAPACITY (FULL LOAD)

Entering Wet Bulb Temperature	Total Air Volume	Outdoor Air Temperature Entering Outdoor Coil																			
		26.7°C					35°C					43.3°C					46°C				
		Total Cool Cap.	Comp. Motor Input	Sensible To Total Ratio (S/T)			Total Cool Cap.	Comp. Motor Input	Sensible To Total Ratio (S/T)			Total Cool Cap.	Comp. Motor Input	Sensible To Total Ratio (S/T)			Total Cool Cap.	Comp. Motor Input	Sensible To Total Ratio (S/T)		
				Dry Bulb					Dry Bulb					Dry Bulb					Dry Bulb		
L/s	kW	kW	24°C	27°C	29°C	kW	kW	24°C	27°C	29°C	kW	kW	24°C	27°C	29°C	kW	kW	24°C	27°C	29°C	
17.2°C	1135	24.1	4.91	0.77	0.94	1.00	21.9	5.67	0.79	0.98	1.00	19.4	6.56	0.82	1.00	1.00	18.7	6.87	0.83	1.00	1.00
	1415	25.6	5.01	0.84	1.00	1.00	23.4	5.79	0.87	1.00	1.00	21.1	6.70	0.91	1.00	1.00	20.3	7.02	0.93	1.00	1.00
	1700	27.1	5.11	0.90	1.00	1.00	24.8	5.91	0.94	1.00	1.00	22.3	6.80	0.99	1.00	1.00	21.5	7.12	1.00	1.00	1.00
19.4°C	1135	25.7	5.01	0.62	0.78	0.88	23.2	5.78	0.63	0.80	0.91	20.7	6.66	0.64	0.83	0.96	19.7	6.97	0.64	0.85	0.98
	1415	27.0	5.10	0.66	0.85	0.97	24.4	5.87	0.68	0.88	1.00	21.7	6.75	0.69	0.92	1.00	20.7	7.05	0.70	0.94	1.00
	1700	27.9	5.17	0.71	0.92	1.00	25.3	5.93	0.72	0.95	1.00	22.4	6.82	0.75	1.00	1.00	21.5	7.13	0.76	1.00	1.00
21.7°C	1135	28.1	5.18	0.41	0.56	0.65	25.5	5.95	0.40	0.57	0.67	22.8	6.84	0.39	0.58	0.69	21.8	7.15	0.39	0.58	0.70
	1415	29.4	5.27	0.43	0.61	0.72	26.7	6.04	0.43	0.62	0.74	23.7	6.93	0.41	0.63	0.76	22.8	7.24	0.41	0.63	0.78
	1700	30.3	5.33	0.45	0.64	0.77	27.5	6.11	0.44	0.65	0.80	24.5	7.00	0.43	0.68	0.84	23.5	7.31	0.43	0.69	0.85

Entering Wet Bulb Temperature	Total Air Volume	Outdoor Air Temperature Entering Outdoor Coil																	
		48°C					50°C					51.7°C							
		Total Cool Cap.	Comp. Motor Input	Sensible To Total Ratio (S/T)			Total Cool Cap.	Comp. Motor Input	Sensible To Total Ratio (S/T)			Total Cool Cap.	Comp. Motor Input	Sensible To Total Ratio (S/T)					
				Dry Bulb					Dry Bulb					Dry Bulb					
L/s	kW	kW	24°C	27°C	29°C	kW	kW	24°C	27°C	29°C	kW	kW	24°C	27°C	29°C				
17.2°C	1135	18.1	7.12	0.84	1.00	1.00	17.5	7.38	0.86	1.00	1.00	17.0	7.61	0.87	1.00	1.00			
	1415	19.7	7.26	0.94	1.00	1.00	19.0	7.53	0.96	1.00	1.00	18.4	7.75	0.98	1.00	1.00			
	1700	20.7	7.37	1.00	1.00	1.00	20.1	7.64	1.00	1.00	1.00	19.5	7.87	1.00	1.00	1.00			
19.4°C	1135	19.0	7.21	0.64	0.86	0.99	18.3	7.46	0.64	0.87	1.00	17.7	7.69	0.65	0.88	1.00			
	1415	20.0	7.29	0.70	0.95	1.00	19.2	7.55	0.71	0.97	1.00	18.5	7.77	0.72	0.99	1.00			
	1700	20.8	7.38	0.77	1.00	1.00	20.2	7.64	0.79	1.00	1.00	19.5	7.86	0.79	1.00	1.00			
21.7°C	1135	21.1	7.39	0.38	0.58	0.71	20.3	7.65	0.38	0.58	0.72	19.5	7.88	0.37	0.59	0.72			
	1415	22.0	7.49	0.41	0.64	0.79	21.2	7.74	0.41	0.64	0.80	20.5	7.96	0.40	0.65	0.81			
	1700	22.7	7.55	0.43	0.69	0.87	21.8	7.81	0.43	0.70	0.88	21.1	8.04	0.44	0.72	0.90			

# RATINGS

NOTE – For Temperatures and Capacities not shown in tables, see bulletin – Cooling Unit Rating Table Correction Factor Data in Miscellaneous Engineering Data section.

## 21 kW - KCB090S4T - COOLING CAPACITY (PART LOAD)

Entering Wet Bulb Temperature	Total Air Volume	Outdoor Air Temperature Entering Outdoor Coil																							
		18.1°C						24°C						29°C						35°C					
		Total Cool Cap.	Comp. Motor Input	Sensible To Total Ratio (S/T)			Total Cool Cap.	Comp. Motor Input	Sensible To Total Ratio (S/T)			Total Cool Cap.	Comp. Motor Input	Sensible To Total Ratio (S/T)			Total Cool Cap.	Comp. Motor Input	Sensible To Total Ratio (S/T)						
				Dry Bulb					Dry Bulb					Dry Bulb					Dry Bulb						
L/s	kW	kW	24°C	27°C	29°C	kW	kW	24°C	27°C	29°C	kW	kW	24°C	27°C	29°C	kW	kW	24°C	27°C	29°C					
17.2°C	755	17.5	2.22	0.76	0.92	1.00	16.2	2.63	0.77	0.94	1.00	15.1	3.02	0.78	0.97	1.00	13.7	3.52	0.79	0.99	1.00				
	945	18.6	2.22	0.82	1.00	1.00	17.4	2.63	0.84	1.00	1.00	16.3	3.01	0.85	1.00	1.00	15.1	3.52	0.88	1.00	1.00				
	1135	19.8	2.22	0.88	1.00	1.00	18.6	2.63	0.91	1.00	1.00	17.5	3.02	0.93	1.00	1.00	16.1	3.52	0.97	1.00	1.00				
19.4°C	755	18.7	2.22	0.62	0.76	0.86	17.4	2.63	0.61	0.78	0.88	16.2	3.02	0.62	0.79	0.90	14.8	3.52	0.62	0.81	0.93				
	945	19.8	2.22	0.66	0.83	0.94	18.4	2.63	0.66	0.84	0.96	17.1	3.02	0.67	0.86	0.99	15.6	3.52	0.67	0.89	1.00				
	1135	20.6	2.22	0.69	0.89	1.00	19.1	2.63	0.70	0.91	1.00	17.8	3.01	0.71	0.94	1.00	16.2	3.52	0.73	0.98	1.00				
21.7°C	755	20.7	2.22	0.42	0.56	0.64	19.3	2.63	0.41	0.56	0.65	18.0	3.02	0.40	0.56	0.66	16.4	3.52	0.38	0.56	0.67				
	945	21.8	2.22	0.45	0.60	0.70	20.3	2.63	0.43	0.59	0.71	18.9	3.02	0.41	0.60	0.72	17.3	3.52	0.41	0.61	0.74				
	1135	22.6	2.22	0.45	0.61	0.75	21.0	2.63	0.44	0.64	0.76	19.7	3.02	0.42	0.65	0.79	18.0	3.53	0.43	0.66	0.80				

## 21 kW - KCB090S4T - COOLING CAPACITY (FULL LOAD)

Entering Wet Bulb Temperature	Total Air Volume	Outdoor Air Temperature Entering Outdoor Coil																							
		26.7°C						35°C						43.3°C						46°C					
		Total Cool Cap.	Comp. Motor Input	Sensible To Total Ratio (S/T)			Total Cool Cap.	Comp. Motor Input	Sensible To Total Ratio (S/T)			Total Cool Cap.	Comp. Motor Input	Sensible To Total Ratio (S/T)			Total Cool Cap.	Comp. Motor Input	Sensible To Total Ratio (S/T)						
				Dry Bulb					Dry Bulb					Dry Bulb					Dry Bulb						
L/s	kW	kW	24°C	27°C	29°C	kW	kW	24°C	27°C	29°C	kW	kW	24°C	27°C	29°C	kW	kW	24°C	27°C	29°C					
17.2°C	1135	24.1	4.91	0.77	0.94	1.00	21.9	5.67	0.79	0.98	1.00	19.4	6.56	0.82	1.00	1.00	18.7	6.87	0.83	1.00	1.00				
	1415	25.6	5.01	0.84	1.00	1.00	23.4	5.79	0.87	1.00	1.00	21.1	6.70	0.91	1.00	1.00	20.3	7.02	0.93	1.00	1.00				
	1700	27.1	5.11	0.90	1.00	1.00	24.8	5.91	0.94	1.00	1.00	22.3	6.80	0.99	1.00	1.00	21.5	7.12	1.00	1.00	1.00				
19.4°C	1135	25.7	5.01	0.62	0.78	0.88	23.2	5.78	0.63	0.80	0.91	20.7	6.66	0.64	0.83	0.96	19.7	6.97	0.64	0.85	0.98				
	1415	27.0	5.10	0.66	0.85	0.97	24.4	5.87	0.68	0.88	1.00	21.7	6.75	0.69	0.92	1.00	20.7	7.05	0.70	0.94	1.00				
	1700	27.9	5.17	0.71	0.92	1.00	25.3	5.93	0.72	0.95	1.00	22.4	6.82	0.75	1.00	1.00	21.5	7.13	0.76	1.00	1.00				
21.7°C	1135	28.1	5.18	0.41	0.56	0.65	25.5	5.95	0.40	0.57	0.67	22.8	6.84	0.39	0.58	0.69	21.8	7.15	0.39	0.58	0.70				
	1415	29.4	5.27	0.43	0.61	0.72	26.7	6.04	0.43	0.62	0.74	23.7	6.93	0.41	0.63	0.76	22.8	7.24	0.41	0.63	0.78				
	1700	30.3	5.33	0.45	0.64	0.77	27.5	6.11	0.44	0.65	0.80	24.5	7.00	0.43	0.68	0.84	23.5	7.31	0.43	0.69	0.85				
Entering Wet Bulb Temperature	Total Air Volume	Outdoor Air Temperature Entering Outdoor Coil																							
		48°C						50°C						51.7°C											
		Total Cool Cap.	Comp. Motor Input	Sensible To Total Ratio (S/T)			Total Cool Cap.	Comp. Motor Input	Sensible To Total Ratio (S/T)			Total Cool Cap.	Comp. Motor Input	Sensible To Total Ratio (S/T)											
				Dry Bulb					Dry Bulb					Dry Bulb											
L/s	kW	kW	24°C	27°C	29°C	kW	kW	24°C	27°C	29°C	kW	kW	24°C	27°C	29°C										
17.2°C	1135	18.1	7.12	0.84	1.00	1.00	17.5	7.38	0.86	1.00	1.00	17.0	7.61	0.87	1.00	1.00									
	1415	19.7	7.26	0.94	1.00	1.00	19.0	7.53	0.96	1.00	1.00	18.4	7.75	0.98	1.00	1.00									
	1700	20.7	7.37	1.00	1.00	1.00	20.1	7.64	1.00	1.00	1.00	19.5	7.87	1.00	1.00	1.00									
19.4°C	1135	19.0	7.21	0.64	0.86	0.99	18.3	7.46	0.64	0.87	1.00	17.7	7.69	0.65	0.88	1.00									
	1415	20.0	7.29	0.70	0.95	1.00	19.2	7.55	0.71	0.97	1.00	18.5	7.77	0.72	0.99	1.00									
	1700	20.8	7.38	0.77	1.00	1.00	20.2	7.64	0.79	1.00	1.00	19.5	7.86	0.79	1.00	1.00									
21.7°C	1135	21.1	7.39	0.38	0.58	0.71	20.3	7.65	0.38	0.58	0.72	19.5	7.88	0.37	0.59	0.72									
	1415	22.0	7.49	0.41	0.64	0.79	21.2	7.74	0.41	0.64	0.80	20.5	7.96	0.40	0.65	0.81									
	1700	22.7	7.55	0.43	0.69	0.87	21.8	7.81	0.43	0.70	0.88	21.1	8.04	0.44	0.72	0.90									

**BLOWER DATA - BELT DRIVE**

**KCB036 - DOWNFLOW**

**BLOWER TABLE INCLUDES RESISTANCE FOR BASE UNIT ONLY WITH DRY INDOOR COIL AND AIR FILTERS IN PLACE.**

FOR ALL UNITS ADD:

- 1 - Any factory installed options air resistance (heat section, economizer, etc.).
- 2 - Any field installed accessories air resistance (duct resistance, diffuser, etc.).

See page 39 for blower motors and drives and wet coil and options/accessory air resistance data.

Air Volume		External Static - Pa (in. w.g.)																												
		25 (0.10)			50 (0.20)			75 (0.30)			100 (0.40)			125 (0.50)			150 (0.60)			175 (0.70)			200 (0.80)							
L/s	cfm	Rev/ min	kW	BHP	Rev/ min	kW	BHP	Rev/ min	kW	BHP	Rev/ min	kW	BHP	Rev/ min	kW	BHP	Rev/ min	kW	BHP	Rev/ min	kW	BHP	Rev/ min	kW	BHP					
425	900	486	0.09	0.12	554	0.12	0.16	0.20	623	0.15	0.20	0.22	0.24	0.27	767	0.17	0.23	0.26	836	0.19	0.25	0.28	897	0.21	0.28	0.30	953	0.22	0.30	0.30
472	1000	508	0.11	0.15	576	0.14	0.19	0.22	643	0.16	0.22	0.25	0.28	0.31	783	0.19	0.26	0.28	848	0.21	0.28	0.31	907	0.22	0.30	0.30	961	0.25	0.33	0.33
519	1100	533	0.13	0.18	599	0.16	0.22	0.25	665	0.19	0.25	0.28	0.30	0.33	800	0.21	0.28	0.31	863	0.23	0.31	0.31	919	0.25	0.34	0.34	971	0.27	0.36	0.36
566	1200	560	0.16	0.21	625	0.19	0.25	0.28	689	0.21	0.28	0.30	0.32	0.34	820	0.24	0.32	0.34	879	0.25	0.34	0.34	932	0.28	0.37	0.37	983	0.30	0.40	0.40
613	1300	591	0.18	0.24	654	0.21	0.28	0.31	716	0.23	0.31	0.33	0.35	0.38	841	0.26	0.35	0.38	897	0.28	0.38	0.38	948	0.31	0.41	0.41	996	0.33	0.44	0.44
661	1400	631	0.19	0.26	690	0.22	0.30	0.34	748	0.25	0.34	0.36	0.39	0.42	864	0.29	0.39	0.42	916	0.31	0.42	0.42	964	0.34	0.46	0.46	1011	0.37	0.49	0.49
708	1500	676	0.21	0.28	729	0.25	0.33	0.36	782	0.27	0.36	0.40	0.43	0.47	887	0.32	0.43	0.47	935	0.35	0.47	0.47	981	0.37	0.50	0.50	1028	0.40	0.54	0.54
Air Volume		External Static - Pa (in. w.g.)																												
		225 (0.90)			250 (1.00)			275 (1.10)			300 (1.20)			325 (1.30)			350 (1.40)			375 (1.50)			400 (1.60)							
L/s	cfm	Rev/ min	kW	BHP	Rev/ min	kW	BHP	Rev/ min	kW	BHP	Rev/ min	kW	BHP	Rev/ min	kW	BHP	Rev/ min	kW	BHP	Rev/ min	kW	BHP	Rev/ min	kW	BHP	Rev/ min	kW	BHP		
425	900	1004	0.25	0.33	1055	0.26	0.35	0.37	1106	0.28	0.37	0.40	0.43	0.46	1193	0.32	0.43	0.46	1232	0.34	0.46	0.46	1269	0.37	0.49	0.49	1305	0.39	0.52	0.52
472	1000	1011	0.27	0.36	1062	0.28	0.38	0.38	1111	0.31	0.41	0.43	0.47	0.50	1199	0.35	0.47	0.50	1238	0.37	0.50	0.50	1276	0.40	0.53	0.53	1311	0.42	0.56	0.56
519	1100	1020	0.29	0.39	1070	0.31	0.41	0.44	1118	0.33	0.44	0.47	0.51	0.54	1206	0.38	0.51	0.54	1245	0.40	0.54	0.54	1282	0.43	0.58	0.58	1318	0.46	0.61	0.61
566	1200	1031	0.32	0.43	1079	0.34	0.45	0.48	1127	0.36	0.48	0.52	0.55	0.59	1213	0.41	0.55	0.59	1252	0.44	0.59	0.59	1289	0.46	0.62	0.62	1324	0.49	0.66	0.66
613	1300	1044	0.35	0.47	1091	0.37	0.49	0.53	1137	0.40	0.53	0.56	0.60	0.64	1221	0.45	0.60	0.64	1259	0.48	0.64	0.64	1296	0.51	0.68	0.68	1330	0.53	0.71	0.71
661	1400	1058	0.38	0.51	1105	0.40	0.54	0.57	1150	0.43	0.57	0.61	0.65	0.69	1231	0.48	0.65	0.69	1268	0.51	0.69	0.69	1303	0.54	0.73	0.73	1337	0.57	0.77	0.77
708	1500	1074	0.42	0.56	1120	0.44	0.59	0.63	1163	0.47	0.63	0.67	0.71	0.75	1241	0.53	0.71	0.75	1277	0.56	0.75	0.75	1312	0.59	0.79	0.79	1345	0.61	0.82	0.82

**BLOWER DATA - BELT DRIVE**

**KCB036 - HORIZONTAL**

**BLOWER TABLE INCLUDES RESISTANCE FOR BASE UNIT ONLY WITH DRY INDOOR COIL AND AIR FILTERS IN PLACE.**

FOR ALL UNITS ADD:

- 1 - Any factory installed options air resistance (heat section, economizer, etc.).
- 2 - Any field installed accessories air resistance (duct resistance, diffuser, etc.).

See page 39 for blower motors and drives and wet coil and options/accessory air resistance data.

Air Volume		External Static - Pa (in. w.g.)																															
		25 (0.10)			50 (0.20)			75 (0.30)			100 (0.40)			125 (0.50)			150 (0.60)			175 (0.70)			200 (0.80)										
L/s	cfm	Rev/ min	kW	BHP	Rev/ min	kW	BHP	Rev/ min	kW	BHP	Rev/ min	kW	BHP	Rev/ min	kW	BHP	Rev/ min	kW	BHP	Rev/ min	kW	BHP	Rev/ min	kW	BHP								
425	900	485	0.08	0.11	554	0.10	0.14	0.16	627	0.12	0.16	0.18	0.21	703	0.13	0.18	0.21	780	0.16	0.21	0.23	0.26	841	0.17	0.23	0.27	888	0.20	0.27	0.29	935	0.22	0.30
472	1000	509	0.10	0.13	578	0.12	0.16	0.19	649	0.14	0.19	0.21	0.23	722	0.16	0.21	0.23	796	0.17	0.23	0.26	0.29	854	0.19	0.26	0.29	900	0.22	0.29	0.33	947	0.25	0.33
519	1100	537	0.12	0.16	605	0.14	0.19	0.21	674	0.16	0.21	0.24	0.27	744	0.18	0.24	0.26	813	0.19	0.26	0.29	0.33	868	0.22	0.29	0.33	913	0.25	0.33	0.36	959	0.27	0.36
566	1200	567	0.14	0.19	633	0.16	0.22	0.24	700	0.18	0.24	0.28	0.30	768	0.20	0.27	0.30	833	0.22	0.30	0.33	0.37	884	0.25	0.33	0.37	928	0.28	0.37	0.40	974	0.30	0.40
613	1300	599	0.16	0.22	664	0.19	0.25	0.28	729	0.21	0.28	0.31	0.33	793	0.22	0.30	0.33	853	0.25	0.33	0.37	0.41	902	0.28	0.37	0.41	945	0.31	0.41	0.44	990	0.33	0.44
661	1400	634	0.19	0.26	697	0.22	0.29	0.31	758	0.23	0.31	0.34	0.38	819	0.25	0.34	0.38	875	0.28	0.38	0.42	0.46	921	0.31	0.42	0.46	964	0.34	0.46	0.49	1008	0.37	0.49
708	1500	669	0.22	0.30	730	0.25	0.33	0.36	789	0.27	0.36	0.39	0.42	846	0.29	0.39	0.42	897	0.31	0.42	0.47	0.51	941	0.35	0.47	0.51	983	0.38	0.51	0.54	1028	0.40	0.54

Air Volume		External Static - Pa (in. w.g.)																							
		225 (0.90)			250 (1.00)			275 (1.10)			300 (1.20)			325 (1.30)			350 (1.40)			375 (1.50)			400 (1.60)		
L/s	cfm	Rev/ min	kW	BHP	Rev/ min	kW	BHP	Rev/ min	kW	BHP	Rev/ min	kW	BHP	Rev/ min	kW	BHP	Rev/ min	kW	BHP	Rev/ min	kW	BHP	Rev/ min	kW	BHP
425	900	986	0.24	0.32	1039	0.26	0.35	1090	0.28	0.37	1137	0.30	0.40	1177	0.32	0.43	1214	0.34	0.46	1248	0.37	0.49	1280	0.38	0.51
472	1000	997	0.26	0.35	1048	0.28	0.38	1098	0.31	0.41	1143	0.33	0.44	1184	0.35	0.47	1221	0.37	0.50	1255	0.40	0.53	1287	0.42	0.56
519	1100	1008	0.29	0.39	1059	0.31	0.41	1107	0.33	0.44	1150	0.35	0.47	1191	0.38	0.51	1228	0.40	0.54	1263	0.43	0.57	1295	0.45	0.6
566	1200	1022	0.32	0.43	1071	0.34	0.45	1117	0.36	0.48	1160	0.39	0.52	1200	0.41	0.55	1237	0.44	0.59	1271	0.46	0.62	1303	0.49	0.66
613	1300	1037	0.35	0.47	1085	0.37	0.50	1130	0.40	0.53	1171	0.43	0.57	1210	0.45	0.60	1246	0.48	0.64	1280	0.51	0.68	1312	0.53	0.71
661	1400	1054	0.39	0.52	1100	0.40	0.54	1144	0.43	0.58	1183	0.46	0.62	1221	0.49	0.66	1256	0.52	0.70	1290	0.54	0.73	1321	0.57	0.77
708	1500	1073	0.43	0.57	1117	0.45	0.60	1159	0.48	0.64	1197	0.50	0.67	1234	0.53	0.71	1268	0.56	0.75	1301	0.59	0.79	1332	0.62	0.83

**BLOWER DATA - BELT DRIVE**

**KCB048 - DOWNFLOW**

**BLOWER TABLE INCLUDES RESISTANCE FOR BASE UNIT ONLY WITH DRY INDOOR COIL AND AIR FILTERS IN PLACE.**

FOR ALL UNITS ADD:

- 1 - Any factory installed options air resistance (heat section, economizer, etc.).
- 2 - Any field installed accessories air resistance (duct resistance, diffuser, etc.).

See page 39 for blower motors and drives and wet coil and options/accessory air resistance data.

Air Volume		External Static - Pa (in. w.g.)																
		25 (0.10)		50 (0.20)		75 (0.30)		100 (0.40)		125 (0.50)		150 (0.60)		175 (0.70)		200 (0.80)		
L/s	cfm	Rev/ min	BHP	Rev/ min	BHP	Rev/ min	BHP	Rev/ min	BHP	Rev/ min	BHP	Rev/ min	BHP	Rev/ min	BHP	Rev/ min	BHP	
566	1200	560	0.16	625	0.19	689	0.21	755	0.22	820	0.24	879	0.25	932	0.28	983	0.30	0.40
613	1300	591	0.18	654	0.21	716	0.23	779	0.25	841	0.26	897	0.28	948	0.31	996	0.33	0.44
661	1400	631	0.19	690	0.22	748	0.25	807	0.27	864	0.29	916	0.31	964	0.34	1011	0.37	0.49
708	1500	675	0.21	729	0.25	782	0.27	835	0.30	887	0.32	935	0.35	981	0.37	1028	0.40	0.54
755	1600	718	0.23	766	0.26	814	0.30	862	0.33	910	0.36	955	0.39	1000	0.41	1046	0.44	0.59
802	1700	756	0.25	799	0.29	843	0.33	887	0.37	932	0.40	976	0.43	1020	0.46	1066	0.48	0.64
849	1800	787	0.30	828	0.34	870	0.37	912	0.41	955	0.44	999	0.47	1043	0.50	1089	0.52	0.70
897	1900	815	0.34	855	0.38	897	0.43	939	0.46	981	0.49	1024	0.51	1068	0.54	1113	0.57	0.76
944	2000	843	0.40	884	0.44	925	0.48	968	0.51	1009	0.54	1052	0.57	1095	0.59	1138	0.62	0.83

Air Volume		External Static - Pa (in. w.g.)																
		225 (0.90)		250 (1.00)		275 (1.10)		300 (1.20)		325 (1.30)		350 (1.40)		375 (1.50)		400 (1.60)		
L/s	cfm	Rev/ min	BHP	Rev/ min	BHP	Rev/ min	BHP	Rev/ min	BHP	Rev/ min	BHP	Rev/ min	BHP	Rev/ min	BHP	Rev/ min	BHP	
566	1200	1031	0.32	1079	0.34	1127	0.36	1171	0.39	1213	0.41	1252	0.44	1289	0.46	1324	0.49	0.66
613	1300	1044	0.35	1091	0.37	1137	0.40	1181	0.42	1221	0.45	1259	0.48	1296	0.51	1330	0.53	0.71
661	1400	1058	0.38	1105	0.40	1150	0.43	1191	0.46	1231	0.48	1268	0.51	1303	0.54	1337	0.57	0.77
708	1500	1074	0.42	1120	0.44	1163	0.47	1203	0.50	1241	0.53	1277	0.56	1312	0.59	1345	0.61	0.82
755	1600	1092	0.46	1137	0.48	1178	0.51	1216	0.54	1253	0.57	1288	0.60	1321	0.63	1354	0.66	0.88
802	1700	1112	0.50	1155	0.52	1193	0.56	1230	0.59	1265	0.62	1299	0.65	1332	0.68	1364	0.71	0.95
849	1800	1133	0.54	1174	0.57	1209	0.60	1244	0.63	1278	0.67	1311	0.70	1343	0.73	1375	0.76	1.02
897	1900	1156	0.60	1193	0.63	1226	0.66	1260	0.69	1293	0.72	1325	0.75	1356	0.79	1388	0.82	1.1
944	2000	1178	0.65	1213	0.69	1243	0.72	1275	0.76	1307	0.79	1339	0.82	1370	0.85	1402	0.88	1.18

**BLOWER DATA - BELT DRIVE**

**KCB048 - HORIZONTAL**

**BLOWER TABLE INCLUDES RESISTANCE FOR BASE UNIT ONLY WITH DRY INDOOR COIL AND AIR FILTERS IN PLACE.**

FOR ALL UNITS ADD:

- 1 - Any factory installed options air resistance (heat section, economizer, etc.).
- 2 - Any field installed accessories air resistance (duct resistance, diffuser, etc.).

See page 39 for blower motors and drives and wet coil and options/accessory air resistance data.

**External Static - Pa (in. w.g.)**

Air Volume		25 (0.10)			50 (0.20)			75 (0.30)			100 (0.40)			125 (0.50)			150 (0.60)			175 (0.70)			200 (0.80)			
		Rev/ min	kW	BHP	Rev/ min	kW	BHP	Rev/ min	kW	BHP	Rev/ min	kW	BHP	Rev/ min	kW	BHP	Rev/ min	kW	BHP	Rev/ min	kW	BHP	Rev/ min	kW	BHP	
L/s	cfm																									
566	1200	567	0.14	0.19	633	0.16	0.22	700	0.18	0.24	768	0.20	0.27	833	0.22	0.30	884	0.25	0.33	928	0.28	0.37	974	0.30	0.40	
613	1300	599	0.16	0.22	664	0.19	0.25	729	0.21	0.28	793	0.22	0.30	853	0.25	0.33	902	0.28	0.37	945	0.31	0.41	990	0.33	0.44	
661	1400	634	0.19	0.26	697	0.22	0.29	758	0.23	0.31	819	0.25	0.34	875	0.28	0.38	921	0.31	0.42	964	0.34	0.46	1008	0.37	0.49	
708	1500	669	0.22	0.30	730	0.25	0.33	789	0.27	0.36	846	0.29	0.39	897	0.31	0.42	941	0.35	0.47	983	0.38	0.51	1028	0.40	0.54	
755	1600	705	0.25	0.34	763	0.28	0.37	819	0.30	0.40	873	0.32	0.43	921	0.36	0.48	963	0.39	0.52	1004	0.42	0.56	1048	0.44	0.59	
802	1700	741	0.28	0.38	796	0.31	0.41	850	0.34	0.45	900	0.37	0.49	945	0.40	0.53	985	0.43	0.58	1026	0.46	0.62	1070	0.48	0.65	
849	1800	776	0.32	0.43	829	0.34	0.46	880	0.38	0.51	927	0.41	0.55	970	0.45	0.60	1009	0.48	0.64	1050	0.51	0.68	1093	0.53	0.71	
897	1900	812	0.36	0.48	862	0.39	0.52	910	0.43	0.57	955	0.46	0.62	996	0.49	0.66	1035	0.53	0.71	1076	0.55	0.74	1118	0.58	0.78	
944	2000	847	0.40	0.54	895	0.44	0.59	941	0.48	0.64	984	0.51	0.69	1023	0.55	0.74	1062	0.58	0.78	1103	0.60	0.81	1144	0.63	0.85	

**External Static - Pa (in. w.g.)**

Air Volume		225 (0.90)			250 (1.00)			275 (1.10)			300 (1.20)			325 (1.30)			350 (1.40)			375 (1.50)			400 (1.60)			
		Rev/ min	kW	BHP	Rev/ min	kW	BHP	Rev/ min	kW	BHP	Rev/ min	kW	BHP	Rev/ min	kW	BHP	Rev/ min	kW	BHP	Rev/ min	kW	BHP	Rev/ min	kW	BHP	
L/s	cfm																									
566	1200	1022	0.32	0.43	1071	0.34	0.45	1117	0.36	0.48	1160	0.39	0.52	1200	0.41	0.55	1237	0.44	0.59	1271	0.46	0.62	1303	0.49	0.66	
613	1300	1037	0.35	0.47	1085	0.37	0.50	1130	0.40	0.53	1171	0.43	0.57	1210	0.45	0.60	1246	0.48	0.64	1280	0.51	0.68	1312	0.53	0.71	
661	1400	1054	0.39	0.52	1100	0.40	0.54	1144	0.43	0.58	1183	0.46	0.62	1221	0.49	0.66	1256	0.52	0.70	1290	0.54	0.73	1321	0.57	0.77	
708	1500	1073	0.43	0.57	1117	0.45	0.60	1159	0.48	0.64	1197	0.50	0.67	1234	0.53	0.71	1268	0.56	0.75	1301	0.59	0.79	1332	0.62	0.83	
755	1600	1093	0.46	0.62	1136	0.49	0.66	1175	0.52	0.70	1212	0.55	0.74	1247	0.58	0.78	1281	0.61	0.82	1313	0.64	0.86	1344	0.67	0.9	
802	1700	1114	0.51	0.68	1155	0.54	0.72	1192	0.57	0.76	1227	0.60	0.80	1262	0.63	0.85	1295	0.66	0.89	1327	0.69	0.93	1358	0.72	0.97	
849	1800	1136	0.56	0.75	1175	0.59	0.79	1210	0.62	0.83	1245	0.66	0.88	1278	0.69	0.92	1311	0.72	0.97	1342	0.75	1.01	1373	0.78	1.05	
897	1900	1159	0.61	0.82	1197	0.64	0.86	1229	0.69	0.92	1263	0.72	0.97	1296	0.75	1.01	1328	0.79	1.06	1359	0.82	1.10	1390	0.85	1.14	
944	2000	1183	0.67	0.90	1218	0.71	0.95	1249	0.75	1.01	1282	0.79	1.06	1314	0.83	1.11	1346	0.86	1.15	1377	0.90	1.20	1408	0.93	1.24	

**BLOWER DATA - BELT DRIVE**

**KCB060 - DOWNFLOW**

**BLOWER TABLE INCLUDES RESISTANCE FOR BASE UNIT ONLY WITH DRY INDOOR COIL AND AIR FILTERS IN PLACE.**

FOR ALL UNITS ADD:

1 - Any factory installed options air resistance (heat section, economizer, etc.).

2 - Any field installed accessories air resistance (duct resistance, diffuser, etc.).

See page 39 for blower motors and drives and wet coil and options/accessory air resistance data.

Air Volume		External Static - Pa (in. w.g.)																							
		25 (0.10)		50 (0.20)		75 (0.30)		100 (0.40)		125 (0.50)		150 (0.60)		175 (0.70)		200 (0.80)									
L/s	cfm	Rev/min	kW	BHP	Rev/min	kW	BHP	Rev/min	kW	BHP	Rev/min	kW	BHP	Rev/min	kW	BHP	Rev/min	kW	BHP						
755	1600	665	0.22	0.30	716	0.25	0.34	768	0.28	0.38	819	0.31	0.41	879	0.33	0.44	937	0.34	0.46	985	0.37	0.49	1022	0.39	0.52
802	1700	723	0.23	0.31	768	0.26	0.35	814	0.29	0.39	860	0.32	0.43	910	0.35	0.47	959	0.37	0.5	1001	0.40	0.54	1037	0.43	0.58
849	1800	779	0.24	0.32	818	0.28	0.37	857	0.31	0.41	897	0.34	0.46	939	0.37	0.50	980	0.41	0.55	1018	0.44	0.59	1054	0.48	0.64
897	1900	826	0.27	0.36	859	0.31	0.41	894	0.34	0.45	928	0.37	0.50	964	0.42	0.56	1000	0.46	0.61	1036	0.49	0.66	1072	0.52	0.70
944	2000	857	0.31	0.42	889	0.35	0.47	920	0.39	0.52	952	0.43	0.57	986	0.46	0.62	1020	0.51	0.68	1055	0.54	0.73	1091	0.57	0.77
991	2100	878	0.37	0.49	909	0.40	0.54	940	0.44	0.59	973	0.48	0.64	1006	0.52	0.70	1041	0.56	0.75	1076	0.60	0.80	1112	0.63	0.85
1038	2200	897	0.41	0.55	929	0.46	0.61	961	0.49	0.66	994	0.54	0.72	1028	0.58	0.78	1063	0.62	0.83	1099	0.66	0.89	1134	0.69	0.93
1085	2300	918	0.46	0.62	950	0.51	0.68	983	0.55	0.74	1017	0.60	0.80	1052	0.64	0.86	1087	0.69	0.92	1122	0.72	0.97	1157	0.76	1.02
1133	2400	941	0.52	0.70	974	0.57	0.77	1008	0.62	0.83	1042	0.67	0.90	1077	0.72	0.96	1111	0.75	1.01	1146	0.79	1.06	1181	0.83	1.11

Air Volume		External Static - Pa (in. w.g.)																							
		225 (0.90)		250 (1.00)		275 (1.10)		300 (1.20)		325 (1.30)		350 (1.40)		375 (1.50)		400 (1.60)									
L/s	cfm	Rev/min	kW	BHP	Rev/min	kW	BHP	Rev/min	kW	BHP	Rev/min	kW	BHP	Rev/min	kW	BHP	Rev/min	kW	BHP						
755	1600	1059	0.43	0.57	1098	0.46	0.61	1138	0.48	0.65	1177	0.51	0.68	1218	0.53	0.71	1257	0.56	0.75	1290	0.59	0.79	1319	0.62	0.83
802	1700	1074	0.46	0.62	1113	0.49	0.66	1152	0.52	0.70	1190	0.55	0.74	1231	0.57	0.77	1268	0.60	0.80	1299	0.63	0.84	1328	0.66	0.89
849	1800	1091	0.51	0.68	1129	0.54	0.72	1167	0.57	0.76	1205	0.60	0.80	1244	0.62	0.83	1280	0.65	0.87	1310	0.68	0.91	1338	0.71	0.95
897	1900	1109	0.56	0.75	1146	0.59	0.79	1183	0.61	0.82	1221	0.64	0.86	1260	0.67	0.90	1294	0.70	0.94	1323	0.73	0.98	1349	0.76	1.02
944	2000	1128	0.61	0.82	1164	0.64	0.86	1201	0.66	0.89	1239	0.69	0.93	1276	0.72	0.97	1310	0.75	1.01	1336	0.79	1.06	1362	0.82	1.10
991	2100	1148	0.66	0.89	1185	0.69	0.93	1221	0.72	0.97	1258	0.75	1.01	1294	0.78	1.05	1325	0.81	1.09	1351	0.85	1.14	1376	0.89	1.19
1038	2200	1170	0.72	0.97	1206	0.75	1.01	1242	0.78	1.05	1277	0.81	1.09	1311	0.85	1.14	1341	0.88	1.18	1365	0.92	1.23	1390	0.95	1.28
1085	2300	1193	0.79	1.06	1228	0.81	1.09	1262	0.85	1.14	1295	0.89	1.19	1327	0.93	1.24	1355	0.96	1.29	1380	0.99	1.33	1406	1.02	1.37
1133	2400	1216	0.86	1.15	1250	0.89	1.19	1282	0.93	1.24	1313	0.97	1.30	1343	1.01	1.36	1371	1.04	1.40	1396	1.07	1.44	1423	1.10	1.48

**BLOWER DATA - BELT DRIVE**

**KCB060 - HORIZONTAL**

**BLOWER TABLE INCLUDES RESISTANCE FOR BASE UNIT ONLY WITH DRY INDOOR COIL AND AIR FILTERS IN PLACE.**

FOR ALL UNITS ADD:

- 1 - Any factory installed options air resistance (heat section, economizer, etc.).
- 2 - Any field installed accessories air resistance (duct resistance, diffuser, etc.).

See page 39 for blower motors and drives and wet coil and options/accessory air resistance data.

**External Static - Pa (in. w.g.)**

Air Volume		25 (0.10)			50 (0.20)			75 (0.30)			100 (0.40)			125 (0.50)			150 (0.60)			175 (0.70)			200 (0.80)		
		Rev/ min	kW	BHP	Rev/ min	kW	BHP	Rev/ min	kW	BHP	Rev/ min	kW	BHP	Rev/ min	kW	BHP	Rev/ min	kW	BHP	Rev/ min	kW	BHP	Rev/ min	kW	BHP
L/s	cfm																								
755	1600	712	0.22	0.29	758	0.24	0.32	807	0.27	0.36	855	0.29	0.39	906	0.32	0.43	955	0.34	0.46	997	0.37	0.50	1035	0.40	0.54
802	1700	766	0.24	0.32	808	0.27	0.36	850	0.30	0.40	892	0.33	0.44	936	0.35	0.47	978	0.38	0.51	1016	0.42	0.56	1052	0.45	0.60
849	1800	814	0.27	0.36	851	0.30	0.40	888	0.33	0.44	925	0.37	0.49	963	0.40	0.53	1000	0.43	0.57	1035	0.46	0.62	1071	0.49	0.66
897	1900	853	0.31	0.41	886	0.34	0.46	919	0.37	0.50	952	0.41	0.55	986	0.45	0.60	1021	0.48	0.64	1056	0.51	0.69	1091	0.54	0.73
944	2000	883	0.36	0.48	913	0.40	0.53	944	0.43	0.57	976	0.46	0.62	1009	0.50	0.67	1043	0.53	0.71	1078	0.57	0.76	1112	0.60	0.80
991	2100	906	0.42	0.56	936	0.45	0.60	967	0.48	0.65	999	0.52	0.70	1033	0.56	0.75	1067	0.59	0.79	1101	0.63	0.84	1135	0.66	0.88
1038	2200	930	0.48	0.64	960	0.51	0.68	991	0.54	0.73	1024	0.58	0.78	1058	0.62	0.83	1092	0.66	0.88	1126	0.69	0.92	1160	0.72	0.96
1085	2300	954	0.54	0.72	985	0.57	0.77	1017	0.61	0.82	1051	0.65	0.87	1085	0.69	0.92	1119	0.72	0.96	1152	0.75	1.00	1186	0.78	1.04
1133	2400	981	0.60	0.81	1013	0.64	0.86	1046	0.68	0.91	1079	0.72	0.96	1113	0.75	1.00	1146	0.78	1.05	1180	0.81	1.09	1213	0.84	1.13

**External Static - Pa (in. w.g.)**

Air Volume		225 (0.90)			250 (1.00)			275 (1.10)			300 (1.20)			325 (1.30)			350 (1.40)			375 (1.50)			400 (1.60)		
		Rev/ min	kW	BHP	Rev/ min	kW	BHP	Rev/ min	kW	BHP	Rev/ min	kW	BHP	Rev/ min	kW	BHP	Rev/ min	kW	BHP	Rev/ min	kW	BHP	Rev/ min	kW	BHP
L/s	cfm																								
755	1600	1071	0.43	0.58	1109	0.46	0.62	1147	0.49	0.66	1186	0.51	0.69	1225	0.54	0.72	1263	0.57	0.76	1299	0.60	0.80	1334	0.62	0.83
802	1700	1088	0.48	0.64	1126	0.51	0.68	1164	0.54	0.72	1202	0.56	0.75	1240	0.58	0.78	1276	0.61	0.82	1311	0.64	0.86	1345	0.67	0.90
849	1800	1107	0.52	0.70	1143	0.55	0.74	1181	0.58	0.78	1219	0.60	0.81	1256	0.63	0.85	1291	0.66	0.89	1324	0.69	0.93	1357	0.72	0.97
897	1900	1126	0.57	0.77	1163	0.60	0.81	1200	0.63	0.85	1237	0.66	0.88	1273	0.69	0.92	1306	0.72	0.96	1339	0.75	1.00	1371	0.78	1.04
944	2000	1148	0.63	0.84	1183	0.66	0.88	1220	0.69	0.92	1257	0.72	0.96	1291	0.75	1.00	1323	0.78	1.04	1354	0.81	1.08	1385	0.84	1.12
991	2100	1170	0.69	0.92	1206	0.72	0.96	1242	0.75	1.00	1277	0.78	1.04	1310	0.81	1.08	1340	0.84	1.13	1371	0.87	1.17	1401	0.90	1.21
1038	2200	1195	0.75	1.00	1230	0.78	1.04	1265	0.81	1.08	1299	0.84	1.13	1330	0.88	1.18	1359	0.92	1.23	1388	0.95	1.27	1418	0.98	1.31
1085	2300	1220	0.81	1.08	1254	0.84	1.13	1288	0.87	1.17	1320	0.92	1.23	1350	0.95	1.28	1378	1.00	1.34	1406	1.03	1.38	1435	1.06	1.42
1133	2400	1245	0.88	1.18	1278	0.91	1.22	1311	0.95	1.28	1341	0.99	1.33	1370	1.04	1.40	1397	1.08	1.45	1425	1.12	1.50	1454	1.15	1.54



**BLOWER DATA - BELT DRIVE**

**KCB074S - DOWNFLOW**

**BLOWER TABLE INCLUDES RESISTANCE FOR BASE UNIT ONLY WITH DRY INDOOR COIL AND AIR FILTERS IN PLACE.**

FOR ALL UNITS ADD:

- 1 - Any factory installed options air resistance (heat section, economizer, etc.).
- 2 - Any field installed accessories air resistance (duct resistance, diffuser, etc.).

See page 39 for blower motors and drives and wet coil and options/accessory air resistance data.

Air Volume		External Static - Pa (in. w.g.)																							
		25 (0.10)		50 (0.20)		75 (0.30)		100 (0.40)		125 (0.50)		150 (0.60)		175 (0.70)		200 (0.80)									
L/s	cfm	Rev/min	BHP	kW	Rev/min	BHP	kW	Rev/min	BHP	kW	Rev/min	BHP	kW	Rev/min	BHP	kW	Rev/min	BHP	kW	Rev/min	BHP	kW			
897	1900	826	0.27	0.36	859	0.31	0.41	894	0.34	0.45	928	0.37	0.50	964	0.42	0.56	1000	0.46	0.61	1036	0.49	0.66	1072	0.52	0.70
944	2000	857	0.31	0.42	889	0.35	0.47	920	0.39	0.52	952	0.43	0.57	986	0.46	0.62	1020	0.51	0.68	1055	0.54	0.73	1091	0.57	0.77
991	2100	878	0.37	0.49	909	0.40	0.54	940	0.44	0.59	973	0.48	0.64	1006	0.52	0.70	1041	0.56	0.75	1076	0.60	0.80	1112	0.63	0.85
1038	2200	897	0.41	0.55	929	0.46	0.61	961	0.49	0.66	994	0.54	0.72	1028	0.58	0.78	1063	0.62	0.83	1099	0.66	0.89	1134	0.69	0.93
1085	2300	918	0.46	0.62	950	0.51	0.68	983	0.55	0.74	1017	0.60	0.80	1052	0.64	0.86	1087	0.69	0.92	1122	0.72	0.97	1157	0.76	1.02
1133	2400	941	0.52	0.70	974	0.57	0.77	1008	0.62	0.83	1042	0.67	0.90	1077	0.72	0.96	1111	0.75	1.01	1146	0.79	1.06	1181	0.83	1.11
1180	2500	966	0.59	0.79	1000	0.64	0.86	1034	0.69	0.93	1068	0.75	1.00	1103	0.79	1.06	1137	0.83	1.11	1171	0.87	1.16	1205	0.90	1.20
1227	2600	994	0.67	0.90	1028	0.72	0.97	1062	0.78	1.04	1096	0.82	1.10	1130	0.87	1.16	1164	0.90	1.21	1197	0.94	1.26	1231	0.97	1.30
1274	2700	1023	0.75	1.01	1057	0.81	1.08	1091	0.86	1.15	1125	0.91	1.22	1159	0.95	1.27	1192	0.98	1.32	1225	1.02	1.37	1258	1.05	1.41
1321	2800	1053	0.84	1.13	1088	0.90	1.21	1122	0.95	1.27	1155	0.99	1.33	1188	1.04	1.39	1221	1.07	1.43	1253	1.10	1.48	1286	1.14	1.53
1369	2900	1085	0.94	1.26	1119	0.99	1.33	1153	1.04	1.40	1186	1.08	1.45	1218	1.13	1.51	1250	1.16	1.55	1281	1.20	1.61	1313	1.24	1.66
Air Volume		External Static - Pa (in. w.g.)																							
		225 (0.90)		250 (1.00)		275 (1.10)		300 (1.20)		325 (1.30)		350 (1.40)		375 (1.50)		400 (1.60)									
L/s	cfm	Rev/min	BHP	kW	Rev/min	BHP	kW	Rev/min	BHP	kW	Rev/min	BHP	kW	Rev/min	BHP	kW	Rev/min	BHP	kW	Rev/min	BHP	kW	Rev/min	BHP	kW
897	1900	1109	0.56	0.75	1146	0.59	0.79	1183	0.61	0.82	1221	0.64	0.86	1260	0.67	0.90	1294	0.70	0.94	1323	0.73	0.98	1349	0.76	1.02
944	2000	1128	0.61	0.82	1164	0.64	0.86	1201	0.66	0.89	1239	0.69	0.93	1276	0.72	0.97	1310	0.75	1.01	1336	0.79	1.06	1362	0.82	1.1
991	2100	1148	0.66	0.89	1185	0.69	0.93	1221	0.72	0.97	1258	0.75	1.01	1294	0.78	1.05	1325	0.81	1.09	1351	0.85	1.14	1376	0.89	1.19
1038	2200	1170	0.72	0.97	1206	0.75	1.01	1242	0.78	1.05	1277	0.81	1.09	1311	0.85	1.14	1341	0.88	1.18	1365	0.92	1.23	1390	0.95	1.28
1085	2300	1193	0.79	1.06	1228	0.81	1.09	1262	0.85	1.14	1295	0.89	1.19	1327	0.93	1.24	1355	0.96	1.29	1380	0.99	1.33	1406	1.02	1.37
1133	2400	1216	0.86	1.15	1250	0.89	1.19	1282	0.93	1.24	1313	0.97	1.30	1343	1.01	1.36	1371	1.04	1.40	1396	1.07	1.44	1423	1.10	1.48
1180	2500	1240	0.93	1.24	1273	0.96	1.29	1302	1.01	1.36	1331	1.06	1.42	1360	1.10	1.48	1388	1.13	1.52	1414	1.16	1.55	1441	1.18	1.58
1227	2600	1265	1.00	1.34	1296	1.04	1.40	1324	1.10	1.47	1352	1.15	1.54	1381	1.19	1.60	1408	1.22	1.64	1434	1.25	1.67	1460	1.27	1.7
1274	2700	1291	1.09	1.46	1321	1.13	1.52	1347	1.19	1.60	1374	1.25	1.67	1403	1.28	1.72	1429	1.31	1.76	1455	1.34	1.79	1481	1.36	1.82
1321	2800	1317	1.18	1.58	1346	1.24	1.66	1372	1.30	1.74	1399	1.34	1.80	1426	1.38	1.85	1451	1.41	1.89	1477	1.43	1.92	1503	1.45	1.95
1369	2900	1343	1.28	1.72	1371	1.34	1.80	1397	1.40	1.88	1424	1.45	1.95	1450	1.48	1.99	1475	1.51	2.02	1500	1.53	2.05	1526	1.55	2.08

**BLOWER DATA - BELT DRIVE**

**KCB074S - HORIZONTAL**

**BLOWER TABLE INCLUDES RESISTANCE FOR BASE UNIT ONLY WITH DRY INDOOR COIL AND AIR FILTERS IN PLACE.**

FOR ALL UNITS ADD:

- 1 - Any factory installed options air resistance (heat section, economizer, etc.).
- 2 - Any field installed accessories air resistance (duct resistance, diffuser, etc.).

See page 39 for blower motors and drives and wet coil and options/accessory air resistance data.

Air Volume		External Static - Pa (in. w.g.)																							
		25 (0.10)		50 (0.20)		75 (0.30)		100 (0.40)		125 (0.50)		150 (0.60)		175 (0.70)		200 (0.80)									
L/s	cfm	Rev/ min	BHP	kW	Rev/ min	BHP	kW	Rev/ min	BHP	kW	Rev/ min	BHP	kW	Rev/ min	BHP	kW	Rev/ min	BHP	kW	Rev/ min	BHP				
897	1900	853	0.31	0.41	886	0.34	0.46	919	0.37	0.50	952	0.41	0.55	986	0.45	0.60	1021	0.48	0.64	1056	0.51	0.69	1091	0.54	0.73
944	2000	883	0.36	0.48	913	0.40	0.53	944	0.43	0.57	976	0.46	0.62	1009	0.50	0.67	1043	0.53	0.71	1078	0.57	0.76	1112	0.60	0.80
991	2100	906	0.42	0.56	936	0.45	0.60	967	0.48	0.65	999	0.52	0.70	1033	0.56	0.75	1067	0.59	0.79	1101	0.63	0.84	1135	0.66	0.88
1038	2200	930	0.48	0.64	960	0.51	0.68	991	0.54	0.73	1024	0.58	0.78	1058	0.62	0.83	1092	0.66	0.88	1126	0.69	0.92	1160	0.72	0.96
1085	2300	954	0.54	0.72	985	0.57	0.77	1017	0.61	0.82	1051	0.65	0.87	1085	0.69	0.92	1119	0.72	0.96	1152	0.75	1.00	1186	0.78	1.04
1133	2400	981	0.60	0.81	1013	0.64	0.86	1046	0.68	0.91	1079	0.72	0.96	1113	0.75	1.00	1146	0.78	1.05	1180	0.81	1.09	1213	0.84	1.13
1180	2500	1010	0.68	0.91	1042	0.72	0.96	1075	0.75	1.00	1109	0.78	1.05	1142	0.81	1.09	1175	0.85	1.14	1207	0.88	1.18	1239	0.92	1.23
1227	2600	1040	0.75	1.01	1073	0.78	1.05	1106	0.82	1.10	1139	0.85	1.14	1171	0.89	1.19	1203	0.92	1.23	1235	0.95	1.28	1266	0.99	1.33
1274	2700	1072	0.82	1.10	1104	0.86	1.15	1137	0.90	1.20	1169	0.93	1.24	1201	0.96	1.29	1232	1.00	1.34	1263	1.04	1.40	1293	1.09	1.46
1321	2800	1105	0.90	1.21	1137	0.93	1.25	1168	0.97	1.30	1200	1.01	1.35	1231	1.04	1.40	1261	1.09	1.46	1291	1.13	1.52	1321	1.19	1.59
1369	2900	1138	0.98	1.32	1169	1.02	1.37	1200	1.06	1.42	1231	1.10	1.47	1261	1.14	1.53	1291	1.19	1.60	1321	1.24	1.66	1350	1.29	1.73
Air Volume		External Static - Pa (in. w.g.)																							
		225 (0.90)		250 (1.00)		275 (1.10)		300 (1.20)		325 (1.30)		350 (1.40)		375 (1.50)		400 (1.60)									
L/s	cfm	Rev/ min	BHP	kW	Rev/ min	BHP	kW	Rev/ min	BHP	kW	Rev/ min	BHP	kW	Rev/ min	BHP	kW	Rev/ min	BHP	kW	Rev/ min	BHP	kW	Rev/ min	BHP	
897	1900	1126	0.57	0.77	1163	0.60	0.81	1200	0.63	0.85	1237	0.66	0.88	1273	0.69	0.92	1306	0.72	0.96	1339	0.75	1.00	1371	0.78	1.04
944	2000	1148	0.63	0.84	1183	0.66	0.88	1220	0.69	0.92	1257	0.72	0.96	1291	0.75	1.00	1323	0.78	1.04	1354	0.81	1.08	1385	0.84	1.12
991	2100	1170	0.69	0.92	1206	0.72	0.96	1242	0.75	1.00	1277	0.78	1.04	1310	0.81	1.08	1340	0.84	1.13	1371	0.87	1.17	1401	0.90	1.21
1038	2200	1195	0.75	1.00	1230	0.78	1.04	1265	0.81	1.08	1299	0.84	1.13	1330	0.88	1.18	1359	0.92	1.23	1388	0.95	1.27	1418	0.98	1.31
1085	2300	1220	0.81	1.08	1254	0.84	1.13	1288	0.87	1.17	1320	0.92	1.23	1350	0.95	1.28	1378	1.00	1.34	1406	1.03	1.38	1435	1.06	1.42
1133	2400	1245	0.88	1.18	1278	0.91	1.22	1311	0.95	1.28	1341	0.99	1.33	1370	1.04	1.40	1397	1.08	1.45	1425	1.12	1.50	1454	1.15	1.54
1180	2500	1271	0.95	1.28	1303	0.99	1.33	1334	1.04	1.39	1363	1.08	1.45	1391	1.13	1.52	1418	1.17	1.57	1446	1.21	1.62	1474	1.24	1.66
1227	2600	1297	1.04	1.39	1328	1.08	1.45	1357	1.13	1.52	1385	1.18	1.58	1412	1.22	1.64	1439	1.27	1.70	1467	1.30	1.74	1495	1.33	1.78
1274	2700	1323	1.13	1.52	1353	1.18	1.58	1382	1.23	1.65	1409	1.28	1.72	1435	1.32	1.77	1462	1.36	1.82	1490	1.39	1.86	1517	1.42	1.9
1321	2800	1351	1.23	1.65	1380	1.28	1.72	1407	1.33	1.78	1434	1.38	1.85	1460	1.42	1.90	1486	1.45	1.95	1513	1.48	1.99	1541	1.51	2.02
1369	2900	1379	1.34	1.79	1407	1.39	1.86	1434	1.43	1.92	1460	1.48	1.98	1485	1.52	2.04	1511	1.55	2.08	1538	1.58	2.12	1565	1.60	2.15

**BLOWER DATA - BELT DRIVE**

**KCB072H/KCB074H - DOWNFLOW**

**BLOWER TABLE INCLUDES RESISTANCE FOR BASE UNIT ONLY WITH DRY INDOOR COIL AND AIR FILTERS IN PLACE.**

FOR ALL UNITS ADD:

- 1 - Any factory installed options air resistance (heat section, economizer, etc.).
- 2 - Any field installed accessories air resistance (duct resistance, diffuser, etc.).

See page 39 for blower motors and drives and wet coil and options/accessory air resistance data.

Air Volume		25 (0.10)			50 (0.20)			75 (0.30)			100 (0.40)			125 (0.50)			150 (0.60)			175 (0.70)			200 (0.80)			225 (0.90)			250 (1.00)			
		Rev/ min	kW	BHP	Rev/ min	kW	BHP	Rev/ min	kW	BHP	Rev/ min	kW	BHP	Rev/ min	kW	BHP	Rev/ min	kW	BHP	Rev/ min	kW	BHP	Rev/ min	kW	BHP	Rev/ min	kW	BHP				
897	1900	480	0.28	0.38	0.44	0.51	0.57	0.63	0.68	0.71	0.73	0.75	0.76	0.77	0.78	0.79	0.80	0.81	0.82	0.83	0.84	0.85	0.86	0.87	0.88	0.89	0.90	0.91	0.92	0.93	0.94	0.95
944	2000	493	0.32	0.43	0.52	0.58	0.62	0.66	0.70	0.74	0.77	0.80	0.83	0.86	0.89	0.92	0.95	0.98	1.01	1.04	1.07	1.10	1.13	1.16	1.19	1.22	1.25	1.28	1.31	1.34	1.37	1.40
991	2100	507	0.36	0.48	0.59	0.66	0.72	0.78	0.84	0.90	0.95	1.00	1.04	1.08	1.12	1.16	1.20	1.24	1.28	1.32	1.36	1.40	1.44	1.48	1.52	1.56	1.60	1.64	1.68	1.72	1.76	1.80
1038	2200	522	0.40	0.53	0.65	0.73	0.81	0.89	0.97	1.05	1.13	1.21	1.29	1.37	1.45	1.53	1.61	1.69	1.77	1.85	1.93	2.01	2.09	2.17	2.25	2.33	2.41	2.49	2.57	2.65	2.73	2.81
1085	2300	537	0.44	0.59	0.73	0.82	0.91	1.00	1.09	1.18	1.27	1.36	1.45	1.54	1.63	1.72	1.81	1.90	1.99	2.08	2.17	2.26	2.35	2.44	2.53	2.62	2.71	2.80	2.89	2.98	3.07	3.16
1133	2400	553	0.48	0.65	0.81	0.90	0.99	1.09	1.18	1.28	1.37	1.46	1.55	1.64	1.73	1.82	1.91	2.00	2.09	2.18	2.27	2.36	2.45	2.54	2.63	2.72	2.81	2.90	2.99	3.08	3.17	3.26
1180	2500	570	0.53	0.71	0.90	1.00	1.10	1.20	1.30	1.40	1.50	1.60	1.70	1.80	1.90	2.00	2.10	2.20	2.30	2.40	2.50	2.60	2.70	2.80	2.90	3.00	3.10	3.20	3.30	3.40	3.50	3.60
1227	2600	588	0.57	0.77	1.00	1.10	1.20	1.30	1.40	1.50	1.60	1.70	1.80	1.90	2.00	2.10	2.20	2.30	2.40	2.50	2.60	2.70	2.80	2.90	3.00	3.10	3.20	3.30	3.40	3.50	3.60	3.70
1274	2700	607	0.63	0.84	1.10	1.20	1.30	1.40	1.50	1.60	1.70	1.80	1.90	2.00	2.10	2.20	2.30	2.40	2.50	2.60	2.70	2.80	2.90	3.00	3.10	3.20	3.30	3.40	3.50	3.60	3.70	3.80
1321	2800	626	0.68	0.91	1.20	1.30	1.40	1.50	1.60	1.70	1.80	1.90	2.00	2.10	2.20	2.30	2.40	2.50	2.60	2.70	2.80	2.90	3.00	3.10	3.20	3.30	3.40	3.50	3.60	3.70	3.80	3.90
1369	2900	646	0.73	0.98	1.30	1.40	1.50	1.60	1.70	1.80	1.90	2.00	2.10	2.20	2.30	2.40	2.50	2.60	2.70	2.80	2.90	3.00	3.10	3.20	3.30	3.40	3.50	3.60	3.70	3.80	3.90	4.00

Air Volume		275 (1.10)			300 (1.20)			325 (1.30)			350 (1.40)			375 (1.50)			400 (1.60)			425 (1.70)			450 (1.80)			475 (1.90)			500 (2.00)		
		Rev/ min	kW	BHP	Rev/ min	kW	BHP	Rev/ min	kW	BHP	Rev/ min	kW	BHP	Rev/ min	kW	BHP	Rev/ min	kW	BHP	Rev/ min	kW	BHP	Rev/ min	kW	BHP	Rev/ min	kW	BHP			
897	1900	807	0.75	1.00	1.35	1.70	2.05	2.40	2.75	3.10	3.45	3.80	4.15	4.50	4.85	5.20	5.55	5.90	6.25	6.60	6.95	7.30	7.65	8.00	8.35	8.70	9.05	9.40	9.75	10.10	
944	2000	813	0.78	1.04	1.38	1.72	2.06	2.40	2.74	3.08	3.42	3.76	4.10	4.44	4.78	5.12	5.46	5.80	6.14	6.48	6.82	7.16	7.50	7.84	8.18	8.52	8.86	9.20	9.54	9.88	10.22
991	2100	820	0.81	1.09	1.43	1.77	2.11	2.45	2.79	3.13	3.47	3.81	4.15	4.49	4.83	5.17	5.51	5.85	6.19	6.53	6.87	7.21	7.55	7.89	8.23	8.57	8.91	9.25	9.59	9.93	10.27
1038	2200	828	0.85	1.14	1.48	1.82	2.16	2.50	2.84	3.18	3.52	3.86	4.20	4.54	4.88	5.22	5.56	5.90	6.24	6.58	6.92	7.26	7.60	7.94	8.28	8.62	8.96	9.30	9.64	9.98	10.32
1085	2300	836	0.90	1.20	1.54	1.88	2.22	2.56	2.90	3.24	3.58	3.92	4.26	4.60	4.94	5.28	5.62	5.96	6.30	6.64	6.98	7.32	7.66	8.00	8.34	8.68	9.02	9.36	9.70	10.04	10.38
1133	2400	846	0.93	1.25	1.59	1.93	2.27	2.61	2.95	3.29	3.63	3.97	4.31	4.65	4.99	5.33	5.67	6.01	6.35	6.69	7.03	7.37	7.71	8.05	8.39	8.73	9.07	9.41	9.75	10.09	10.43
1180	2500	856	0.98	1.31	1.65	1.99	2.33	2.67	3.01	3.35	3.69	4.03	4.37	4.71	5.05	5.39	5.73	6.07	6.41	6.75	7.09	7.43	7.77	8.11	8.45	8.79	9.13	9.47	9.81	10.15	10.49
1227	2600	866	1.03	1.38	1.72	2.06	2.40	2.74	3.08	3.42	3.76	4.10	4.44	4.78	5.12	5.46	5.80	6.14	6.48	6.82	7.16	7.50	7.84	8.18	8.52	8.86	9.20	9.54	9.88	10.22	10.56
1274	2700	878	1.07	1.44	1.78	2.12	2.46	2.80	3.14	3.48	3.82	4.16	4.50	4.84	5.18	5.52	5.86	6.20	6.54	6.88	7.22	7.56	7.90	8.24	8.58	8.92	9.26	9.60	9.94	10.28	10.62
1321	2800	889	1.13	1.51	1.85	2.19	2.53	2.87	3.21	3.55	3.89	4.23	4.57	4.91	5.25	5.59	5.93	6.27	6.61	6.95	7.29	7.63	7.97	8.31	8.65	8.99	9.33	9.67	10.01	10.35	10.69
1369	2900	902	1.18	1.58	1.92	2.26	2.60	2.94	3.28	3.62	3.96	4.30	4.64	4.98	5.32	5.66	6.00	6.34	6.68	7.02	7.36	7.70	8.04	8.38	8.72	9.06	9.40	9.74	10.08	10.42	10.76

**BLOWER DATA - BELT DRIVE**

**KCB072H/KCB074H - HORIZONTAL**

**BLOWER TABLE INCLUDES RESISTANCE FOR BASE UNIT ONLY WITH DRY INDOOR COIL AND AIR FILTERS IN PLACE.**

FOR ALL UNITS ADD:

- 1 - Any factory installed options air resistance (heat section, economizer, etc.).
- 2 - Any field installed accessories air resistance (duct resistance, diffuser, etc.).

See page 40 for blower motors and drives and wet coil and options/accessory air resistance data.

Air Volume		External Static - Pa (in.w.g.)																													
		25 (0.10)		50 (0.20)		75 (0.30)		100 (0.40)		125 (0.50)		150 (0.60)		175 (0.70)		200 (0.80)		225 (0.90)		250 (1.00)											
L/s	cfm	Rev/ min	kW	BHP	Rev/ min	kW	BHP	Rev/ min	kW	BHP	Rev/ min	kW	BHP	Rev/ min	kW	BHP	Rev/ min	kW	BHP	Rev/ min	kW	BHP									
897	1900	507	0.41	0.55	538	0.43	0.58	571	0.45	0.6	604	0.47	0.63	639	0.49	0.66	673	0.52	0.70	707	0.55	0.74	740	0.58	0.78	772	0.61	0.82	802	0.64	0.86
944	2000	522	0.44	0.59	554	0.46	0.62	586	0.48	0.64	620	0.50	0.67	653	0.53	0.71	687	0.55	0.74	720	0.58	0.78	752	0.61	0.82	783	0.65	0.87	812	0.68	0.91
991	2100	539	0.47	0.63	571	0.49	0.66	603	0.51	0.69	636	0.54	0.72	669	0.56	0.75	702	0.59	0.79	734	0.62	0.83	765	0.66	0.88	795	0.69	0.92	823	0.72	0.97
1038	2200	557	0.51	0.68	588	0.53	0.71	620	0.55	0.74	652	0.57	0.77	685	0.60	0.81	717	0.63	0.84	748	0.66	0.89	778	0.69	0.93	807	0.73	0.98	834	0.77	1.03
1085	2300	576	0.54	0.73	607	0.57	0.76	638	0.59	0.79	670	0.62	0.83	701	0.64	0.86	733	0.67	0.90	763	0.71	0.95	792	0.74	0.99	820	0.78	1.04	846	0.81	1.09
1133	2400	596	0.59	0.79	626	0.61	0.82	657	0.63	0.85	688	0.66	0.89	718	0.69	0.92	749	0.72	0.96	778	0.75	1.01	806	0.79	1.06	833	0.83	1.11	858	0.87	1.16
1180	2500	616	0.63	0.85	645	0.66	0.88	676	0.68	0.91	706	0.71	0.95	736	0.74	0.99	765	0.77	1.03	794	0.81	1.08	821	0.84	1.13	847	0.88	1.18	871	0.92	1.23
1227	2600	636	0.68	0.91	665	0.70	0.94	695	0.73	0.98	724	0.76	1.02	754	0.79	1.06	782	0.82	1.10	809	0.86	1.15	836	0.90	1.20	861	0.93	1.25	885	0.97	1.30
1274	2700	657	0.72	0.97	685	0.75	1.01	714	0.78	1.04	743	0.81	1.08	771	0.84	1.13	799	0.87	1.17	826	0.91	1.22	851	0.95	1.27	875	0.98	1.32	899	1.02	1.37
1321	2800	677	0.77	1.03	706	0.80	1.07	734	0.83	1.11	762	0.87	1.16	790	0.90	1.20	816	0.93	1.25	842	0.97	1.30	867	1.01	1.35	890	1.04	1.40	913	1.08	1.45
1369	2900	698	0.82	1.10	726	0.85	1.14	754	0.89	1.19	781	0.92	1.23	808	0.95	1.28	834	0.99	1.33	859	1.03	1.38	883	1.07	1.43	906	1.10	1.48	928	1.15	1.54

Air Volume		External Static - Pa (in.w.g.)																													
		275 (1.10)		300 (1.20)		325 (1.30)		350 (1.40)		375 (1.50)		400 (1.60)		425 (1.70)		450 (1.80)		475 (1.90)		500 (2.00)											
L/s	cfm	Rev/ min	kW	BHP	Rev/ min	kW	BHP	Rev/ min	kW	BHP	Rev/ min	kW	BHP	Rev/ min	kW	BHP	Rev/ min	kW	BHP	Rev/ min	kW	BHP									
897	1900	830	0.68	0.91	857	0.71	0.95	883	0.74	0.99	910	0.78	1.04	937	0.81	1.09	964	0.84	1.13	991	0.88	1.18	1017	0.92	1.23	1042	0.95	1.28	1067	1.00	1.34
944	2000	839	0.72	0.96	865	0.75	1.00	891	0.78	1.05	917	0.81	1.09	944	0.85	1.14	970	0.89	1.19	996	0.93	1.24	1022	0.96	1.29	1047	1.00	1.34	1071	1.04	1.40
991	2100	849	0.76	1.02	874	0.79	1.06	900	0.83	1.11	926	0.86	1.15	952	0.90	1.20	978	0.93	1.25	1003	0.97	1.30	1028	1.01	1.35	1052	1.05	1.41	1075	1.09	1.46
1038	2200	860	0.81	1.08	885	0.84	1.12	910	0.87	1.17	935	0.90	1.21	960	0.94	1.26	986	0.98	1.31	1010	1.01	1.36	1034	1.06	1.42	1058	1.10	1.48	1081	1.14	1.53
1085	2300	871	0.85	1.14	895	0.89	1.19	920	0.92	1.23	945	0.95	1.28	969	0.99	1.33	994	1.03	1.38	1018	1.07	1.43	1042	1.11	1.49	1065	1.16	1.55	1087	1.20	1.61
1133	2400	883	0.90	1.21	907	0.93	1.25	931	0.97	1.30	955	1.01	1.35	979	1.04	1.40	1003	1.08	1.45	1027	1.13	1.51	1050	1.17	1.57	1072	1.22	1.63	1094	1.26	1.69
1180	2500	895	0.95	1.28	919	0.98	1.32	942	1.02	1.37	966	1.06	1.42	990	1.10	1.48	1013	1.14	1.53	1036	1.19	1.59	1059	1.23	1.65	1081	1.28	1.71	1102	1.33	1.78
1227	2600	908	1.01	1.35	931	1.04	1.40	955	1.08	1.45	978	1.12	1.50	1001	1.16	1.56	1024	1.21	1.62	1046	1.25	1.68	1068	1.30	1.74	1089	1.34	1.80	1110	1.40	1.87
1274	2700	922	1.07	1.43	945	1.10	1.48	967	1.14	1.53	990	1.19	1.59	1013	1.23	1.65	1035	1.28	1.71	1056	1.32	1.77	1078	1.37	1.84	1099	1.42	1.90	1119	1.46	1.96
1321	2800	936	1.13	1.51	958	1.16	1.56	980	1.21	1.62	1003	1.25	1.68	1025	1.30	1.74	1046	1.34	1.80	1067	1.40	1.87	1088	1.44	1.93	1109	1.49	2.00	1129	1.54	2.06
1369	2900	950	1.19	1.60	972	1.24	1.66	994	1.28	1.72	1016	1.33	1.78	1037	1.37	1.84	1058	1.42	1.91	1079	1.47	1.97	1099	1.52	2.04	1119	1.57	2.11	1139	1.62	2.17

**BLOWER DATA - BELT DRIVE**

**KCB090 - DOWNFLOW**

**BLOWER TABLE INCLUDES RESISTANCE FOR BASE UNIT ONLY WITH DRY INDOOR COIL AND AIR FILTERS IN PLACE.**

FOR ALL UNITS ADD:

1 - Any factory installed options air resistance (heat section, economizer, etc.).

2 - Any field installed accessories air resistance (duct resistance, diffuser, etc.).

See page 40 for blower motors and drives and wet coil and options/accessory air resistance data.

Air Volume		External Static - Pa (in. w.g.)																													
		25 (0.10)		50 (0.20)		75 (0.30)		100 (0.40)		125 (0.50)		150 (0.60)		175 (0.70)		200 (0.80)		225 (0.90)		250 (1.00)											
L/s	CFM	Rev/ min	kW	BHP	Rev/ min	kW	BHP	Rev/ min	kW	BHP	Rev/ min	kW	BHP	Rev/ min	kW	BHP	Rev/ min	kW	BHP	Rev/ min	kW	BHP									
1133	2400	553	0.48	0.65	585	0.53	0.71	617	0.58	0.78	649	0.63	0.85	680	0.68	0.91	711	0.73	0.98	740	0.78	1.04	769	0.82	1.10	796	0.86	1.15	821	0.90	1.21
1180	2500	570	0.53	0.71	602	0.58	0.78	633	0.63	0.84	665	0.68	0.91	695	0.72	0.97	725	0.78	1.04	753	0.82	1.10	781	0.87	1.16	807	0.91	1.22	832	0.95	1.27
1227	2600	588	0.57	0.77	619	0.63	0.84	650	0.68	0.91	680	0.72	0.97	710	0.78	1.04	739	0.82	1.10	767	0.87	1.16	793	0.91	1.22	818	0.95	1.28	842	0.99	1.33
1274	2700	607	0.63	0.84	637	0.68	0.91	667	0.72	0.97	697	0.78	1.04	726	0.83	1.11	753	0.87	1.17	780	0.92	1.23	806	0.96	1.29	830	1.01	1.35	854	1.04	1.40
1321	2800	626	0.68	0.91	655	0.72	0.97	684	0.78	1.04	713	0.83	1.11	741	0.88	1.18	768	0.93	1.24	794	0.97	1.30	819	1.01	1.36	842	1.06	1.42	866	1.10	1.47
1369	2900	646	0.73	0.98	674	0.78	1.05	702	0.83	1.11	730	0.88	1.18	757	0.93	1.25	783	0.98	1.32	808	1.03	1.38	832	1.07	1.44	855	1.11	1.49	878	1.15	1.54
1416	3000	666	0.79	1.06	693	0.84	1.12	721	0.89	1.19	747	0.94	1.26	774	0.99	1.33	799	1.04	1.40	823	1.09	1.46	846	1.13	1.52	868	1.17	1.57	891	1.21	1.62
1463	3100	686	0.85	1.14	713	0.90	1.21	739	0.95	1.28	765	1.01	1.35	790	1.05	1.41	814	1.10	1.48	838	1.16	1.55	860	1.20	1.61	882	1.24	1.66	904	1.27	1.70
1510	3200	707	0.91	1.22	732	0.96	1.29	758	1.01	1.36	783	1.07	1.43	807	1.12	1.50	830	1.17	1.57	853	1.22	1.64	874	1.27	1.70	896	1.31	1.75	918	1.34	1.79
1557	3300	727	0.98	1.31	752	1.03	1.38	776	1.09	1.46	800	1.14	1.53	823	1.19	1.60	846	1.25	1.67	868	1.29	1.73	889	1.34	1.79	911	1.37	1.84	932	1.41	1.89
1604	3400	747	1.05	1.41	771	1.10	1.48	794	1.16	1.55	817	1.22	1.63	840	1.27	1.70	862	1.32	1.77	883	1.37	1.83	904	1.41	1.89	925	1.45	1.94	947	1.48	1.98
1652	3500	767	1.13	1.51	790	1.18	1.58	812	1.24	1.66	835	1.29	1.73	856	1.34	1.80	878	1.40	1.87	899	1.44	1.93	920	1.48	1.99	940	1.52	2.04	961	1.55	2.08
1699	3600	786	1.20	1.61	808	1.26	1.69	830	1.32	1.77	852	1.37	1.84	873	1.42	1.91	894	1.48	1.98	915	1.52	2.04	935	1.56	2.09	955	1.60	2.14	975	1.63	2.19

Air Volume		External Static - Pa (in. w.g.)																													
		275 (1.10)		300 (1.20)		325 (1.30)		350 (1.40)		375 (1.50)		400 (1.60)		425 (1.70)		450 (1.80)		475 (1.90)		500 (2.00)											
L/s	CFM	Rev/ min	kW	BHP	Rev/ min	kW	BHP	Rev/ min	kW	BHP	Rev/ min	kW	BHP	Rev/ min	kW	BHP	Rev/ min	kW	BHP	Rev/ min	kW	BHP									
1133	2400	846	0.93	1.25	870	0.96	1.29	895	0.99	1.33	920	1.02	1.37	947	1.05	1.41	972	1.08	1.45	996	1.12	1.50	1018	1.16	1.55	1039	1.20	1.61	1059	1.25	1.67
1180	2500	856	0.98	1.31	880	1.01	1.35	905	1.04	1.39	930	1.07	1.43	956	1.10	1.47	980	1.13	1.52	1003	1.17	1.57	1024	1.22	1.63	1044	1.26	1.69	1064	1.31	1.76
1227	2600	866	1.03	1.38	891	1.06	1.42	915	1.09	1.46	940	1.12	1.50	965	1.15	1.54	988	1.19	1.59	1010	1.23	1.65	1031	1.28	1.71	1050	1.33	1.78	1069	1.37	1.84
1274	2700	878	1.07	1.44	902	1.10	1.48	926	1.13	1.52	950	1.17	1.57	974	1.20	1.61	997	1.25	1.67	1018	1.29	1.73	1037	1.34	1.80	1056	1.40	1.87	1075	1.44	1.93
1321	2800	889	1.13	1.51	913	1.16	1.55	937	1.19	1.59	961	1.22	1.64	984	1.26	1.69	1006	1.31	1.75	1026	1.36	1.82	1044	1.41	1.89	1063	1.46	1.96	1081	1.51	2.03
1369	2900	902	1.18	1.58	925	1.22	1.63	949	1.25	1.67	972	1.28	1.72	994	1.33	1.78	1015	1.37	1.84	1034	1.42	1.91	1052	1.48	1.99	1069	1.54	2.06	1087	1.59	2.13
1416	3000	914	1.24	1.66	938	1.28	1.71	961	1.31	1.75	983	1.35	1.81	1004	1.40	1.87	1024	1.45	1.94	1042	1.50	2.01	1059	1.56	2.09	1076	1.61	2.16	1093	1.66	2.23
1463	3100	927	1.31	1.75	950	1.34	1.79	972	1.37	1.84	994	1.42	1.90	1014	1.46	1.96	1033	1.52	2.04	1050	1.57	2.11	1067	1.63	2.19	1083	1.69	2.27	1100	1.75	2.34
1510	3200	941	1.37	1.84	963	1.40	1.88	984	1.45	1.94	1005	1.49	2.00	1024	1.54	2.07	1042	1.60	2.14	1059	1.66	2.23	1075	1.72	2.31	1091	1.78	2.39	1107	1.84	2.46
1557	3300	954	1.44	1.93	976	1.48	1.98	996	1.52	2.04	1016	1.57	2.10	1035	1.63	2.18	1052	1.69	2.26	1067	1.75	2.35	1083	1.81	2.43	1098	1.87	2.51	1114	1.93	2.59
1604	3400	968	1.51	2.03	989	1.55	2.08	1008	1.60	2.14	1027	1.66	2.22	1045	1.72	2.30	1061	1.78	2.38	1076	1.84	2.47	1091	1.92	2.57	1106	1.98	2.65	1121	2.04	2.73
1652	3500	982	1.59	2.13	1001	1.63	2.19	1020	1.69	2.26	1038	1.74	2.33	1054	1.81	2.42	1070	1.87	2.51	1084	1.95	2.61	1099	2.02	2.71	1113	2.08	2.79	1128	2.14	2.87
1699	3600	995	1.67	2.24	1014	1.72	2.30	1031	1.78	2.38	1048	1.84	2.46	1064	1.90	2.55	1079	1.98	2.65	1093	2.06	2.76	1107	2.13	2.86	1121	2.20	2.95	1136	2.26	3.03

**BLOWER DATA - BELT DRIVE**

**KCB090 - HORIZONTAL**

**BLOWER TABLE INCLUDES RESISTANCE FOR BASE UNIT ONLY WITH DRY INDOOR COIL AND AIR FILTERS IN PLACE.**

FOR ALL UNITS ADD:

1 - Any factory installed options air resistance (heat section, economizer, etc.).

2 - Any field installed accessories air resistance (duct resistance, diffuser, etc.).

See page 40 for blower motors and drives and wet coil and options/accessory air resistance data.

Air Volume	External Static - Pa (in. w.g.)																														
	25 (0.10)		50 (0.20)		75 (0.30)		100 (0.40)		150 (0.60)		175 (0.70)		200 (0.80)		225 (0.90)		250 (1.00)														
	Rev/ min	kW BHP	Rev/ min	kW BHP	Rev/ min	kW BHP	Rev/ min	kW BHP	Rev/ min	kW BHP	Rev/ min	kW BHP	Rev/ min	kW BHP	Rev/ min	kW BHP	Rev/ min	kW BHP													
1133	2400	596	0.59	0.79	626	0.61	0.82	657	0.63	0.85	688	0.66	0.89	718	0.69	0.92	749	0.72	0.96	778	0.75	1.01	806	0.79	1.06	833	0.83	1.11	858	0.87	1.16
1180	2500	616	0.63	0.85	645	0.66	0.88	676	0.68	0.91	706	0.71	0.95	736	0.74	0.99	765	0.77	1.03	794	0.81	1.08	821	0.84	1.13	847	0.88	1.18	871	0.92	1.23
1227	2600	636	0.68	0.91	665	0.70	0.94	695	0.73	0.98	724	0.76	1.02	754	0.79	1.06	782	0.82	1.10	809	0.86	1.15	836	0.90	1.20	861	0.93	1.25	885	0.97	1.30
1274	2700	657	0.72	0.97	685	0.75	1.01	714	0.78	1.04	743	0.81	1.08	771	0.84	1.13	799	0.87	1.17	826	0.91	1.22	851	0.95	1.27	875	0.98	1.32	899	1.02	1.37
1321	2800	677	0.77	1.03	706	0.80	1.07	734	0.83	1.11	762	0.87	1.16	790	0.90	1.20	816	0.93	1.25	842	0.97	1.30	867	1.01	1.35	890	1.04	1.40	913	1.08	1.45
1369	2900	698	0.82	1.10	726	0.85	1.14	754	0.89	1.19	781	0.92	1.23	808	0.95	1.28	834	0.99	1.33	859	1.03	1.38	883	1.07	1.43	906	1.10	1.48	928	1.15	1.54
1416	3000	720	0.87	1.17	747	0.91	1.22	774	0.94	1.26	801	0.98	1.31	826	1.01	1.36	851	1.05	1.41	876	1.09	1.46	899	1.13	1.52	921	1.17	1.57	943	1.22	1.63
1463	3100	741	0.93	1.25	768	0.97	1.30	794	1.01	1.35	820	1.04	1.40	845	1.08	1.45	869	1.12	1.50	893	1.16	1.56	915	1.20	1.61	937	1.25	1.67	959	1.29	1.73
1510	3200	763	1.00	1.34	789	1.04	1.39	815	1.07	1.44	840	1.11	1.49	864	1.15	1.54	888	1.19	1.60	910	1.24	1.66	932	1.28	1.72	954	1.33	1.78	975	1.37	1.84
1557	3300	785	1.07	1.43	811	1.10	1.48	836	1.14	1.53	860	1.19	1.59	883	1.23	1.65	906	1.28	1.71	928	1.32	1.77	950	1.37	1.83	970	1.42	1.90	991	1.46	1.96
1604	3400	807	1.14	1.53	832	1.18	1.58	856	1.22	1.64	880	1.27	1.70	903	1.31	1.76	925	1.36	1.82	946	1.40	1.88	967	1.45	1.95	987	1.51	2.02	1007	1.56	2.09
1652	3500	830	1.22	1.63	854	1.26	1.69	877	1.31	1.75	900	1.35	1.81	922	1.40	1.88	944	1.45	1.94	964	1.50	2.01	985	1.55	2.08	1004	1.60	2.15	1024	1.66	2.23
1699	3600	852	1.30	1.74	876	1.35	1.81	898	1.40	1.87	921	1.45	1.94	942	1.50	2.01	963	1.54	2.07	983	1.60	2.15	1002	1.66	2.22	1022	1.71	2.29	1041	1.77	2.37
Air Volume	External Static - Pa (in. w.g.)																														
	275 (1.10)		300 (1.20)		325 (1.30)		350 (1.40)		375 (1.50)		400 (1.60)		425 (1.70)		450 (1.80)		475 (1.90)		500 (2.00)												
	Rev/ min	kW BHP	Rev/ min	kW BHP	Rev/ min	kW BHP	Rev/ min	kW BHP	Rev/ min	kW BHP	Rev/ min	kW BHP	Rev/ min	kW BHP	Rev/ min	kW BHP	Rev/ min	kW BHP	Rev/ min	kW BHP											
1133	2400	883	0.90	1.21	907	0.93	1.25	931	0.97	1.30	955	1.01	1.35	979	1.04	1.40	1003	1.08	1.45	1027	1.13	1.51	1050	1.17	1.57	1072	1.22	1.63	1094	1.26	1.69
1180	2500	895	0.95	1.28	919	0.98	1.32	942	1.02	1.37	966	1.06	1.42	990	1.10	1.48	1013	1.14	1.53	1036	1.19	1.59	1059	1.23	1.65	1081	1.28	1.71	1102	1.33	1.78
1227	2600	908	1.01	1.35	931	1.04	1.40	955	1.08	1.45	978	1.12	1.50	1001	1.16	1.56	1024	1.21	1.62	1046	1.25	1.68	1068	1.30	1.74	1089	1.34	1.80	1110	1.40	1.87
1274	2700	922	1.07	1.43	945	1.10	1.48	967	1.14	1.53	990	1.19	1.59	1013	1.23	1.65	1035	1.28	1.71	1056	1.32	1.77	1078	1.37	1.84	1099	1.42	1.90	1119	1.46	1.96
1321	2800	936	1.13	1.51	958	1.16	1.56	980	1.21	1.62	1003	1.25	1.68	1025	1.30	1.74	1046	1.34	1.80	1067	1.40	1.87	1088	1.44	1.93	1109	1.49	2.00	1129	1.54	2.06
1369	2900	950	1.19	1.60	972	1.24	1.66	994	1.28	1.72	1016	1.33	1.78	1037	1.37	1.84	1058	1.42	1.91	1079	1.47	1.97	1099	1.52	2.04	1119	1.57	2.11	1139	1.62	2.17
1416	3000	965	1.26	1.69	986	1.31	1.76	1008	1.36	1.82	1029	1.40	1.88	1050	1.45	1.95	1070	1.51	2.02	1091	1.55	2.08	1110	1.60	2.15	1130	1.66	2.22	1149	1.70	2.28
1463	3100	980	1.34	1.80	1001	1.39	1.86	1022	1.44	1.93	1043	1.49	2.00	1063	1.54	2.07	1083	1.59	2.13	1103	1.64	2.20	1122	1.69	2.27	1141	1.74	2.33	1160	1.79	2.40
1510	3200	995	1.42	1.91	1016	1.48	1.98	1036	1.53	2.05	1057	1.58	2.12	1077	1.63	2.19	1096	1.69	2.26	1116	1.74	2.33	1134	1.78	2.39	1153	1.84	2.46	1171	1.88	2.52
1557	3300	1011	1.51	2.03	1031	1.57	2.11	1051	1.63	2.18	1071	1.68	2.25	1091	1.73	2.32	1110	1.78	2.39	1129	1.83	2.45	1147	1.88	2.52	1165	1.93	2.59	1183	1.98	2.65
1604	3400	1027	1.61	2.16	1047	1.67	2.24	1067	1.72	2.31	1086	1.78	2.38	1105	1.83	2.45	1124	1.88	2.52	1142	1.93	2.59	1160	1.98	2.66	1178	2.03	2.72	1196	2.07	2.78
1652	3500	1043	1.72	2.30	1063	1.78	2.38	1082	1.83	2.45	1101	1.88	2.52	1120	1.93	2.59	1138	1.98	2.66	1156	2.04	2.73	1174	2.09	2.80	1191	2.13	2.86	1208	2.18	2.92
1699	3600	1060	1.83	2.45	1079	1.88	2.52	1098	1.94	2.60	1117	1.99	2.67	1135	2.04	2.74	1153	2.10	2.81	1170	2.14	2.87	1188	2.19	2.94	1205	2.24	3.00	1222	2.28	3.06

## BLOWER DATA

### BELT DRIVE KIT SPECIFICATIONS - 036-074S

Model No.	Motor kW (HP)		No. of Speeds	Drive Kits and Rev/Min Range							
	Nominal	Max		A01	A02	A03	A04	A05	A06	A07	A08
036	1.5 (2)	1.7 (2.3)	1	561 - 842	---	---	---	748 - 1122	---	---	---
048	1.5 (2)	1.7 (2.3)	1	---	621 - 931	---	---	---	893 - 1191	---	---
060	1.5 (2)	1.7 (2.3)	1	---	---	694 - 1042	---	---	---	1010 - 1290	---
074S	1.2 (1.7)	1.4 (1.9)	2	---	---	---	807 - 1117	---	---	---	994 - 1326

NOTE – Using total air volume and system static pressure requirements determine from blower performance tables rev/min and motor kW required. Maximum usable kW of motors furnished are shown. If motors of comparable kW are used, be sure to keep within the service factor limitations outlined on the motor nameplate.

### BELT DRIVE KIT SPECIFICATIONS - 072H/074H/090S4B/090S4T

Model No.	Motor kW (HP)		No. of Speeds	Drive Kits and Rev/Min Range			
	Nominal	Max		AA02	AA03	AA04	AA05
072H	1.5 (2)	1.7 (2.3)	1	527 - 729	665 - 921	768 - 1023	---
074H, 090S4T	1.2 (1.7)	1.4 (1.9)	2	527 - 729	665 - 921	768 - 1023	---
090S4B	1.5 (2)	1.7 (2.3)	1	527 - 729	665 - 921	768 - 1023	---
	2.2 (3)	2.57 (3.45)	1	---	---	---	921 - 1177

NOTE – Using total air volume and system static pressure requirements determine from blower performance tables rev/min and motor kW required. Maximum usable kW of motors furnished are shown. If motors of comparable kW are used, be sure to keep within the service factor limitations outlined on the motor nameplate.

## BLOWER DATA

### OPTIONS / ACCESSORIES AIR RESISTANCE FOR 036-074 MODELS

Air Volume		Wet Indoor Coil						Economizer	
		036-048		060		072, 074			
L/s	cfm	Pa	in. w.g.	Pa	in. w.g.	Pa	in. w.g.	Pa	in. w.g.
375	800	2	0.01	2	0.01	2	0.01	10	0.04
470	1000	5	0.02	5	0.02	2	0.01	10	0.04
565	1200	7	0.03	7	0.04	5	0.02	10	0.04
660	1400	10	0.04	12	0.05	7	0.03	10	0.04
755	1600	12	0.05	15	0.06	7	0.04	10	0.04
850	1800	15	0.06	17	0.07	12	0.05	12	0.05
945	2000	20	0.08	22	0.09	15	0.06	12	0.05
1040	2200	22	0.09	25	0.10	17	0.07	12	0.05
1130	2400	25	0.10	30	0.12	20	0.08	12	0.05
1225	2600	27	0.11	30	0.13	22	0.09	15	0.06
1320	2800	30	0.13	37	0.15	25	0.10	15	0.06
1415	3000	35	0.14	40	0.16	30	0.12	15	0.06

Air Volume		Electric Heat		Filters			
				MERV 8		MERV 13	
L/s	cfm	Pa	in. w.g.	Pa	in. w.g.	Pa	in. w.g.
375	800	2	0.01	10	0.04	12	0.05
470	1000	7	0.03	10	0.04	17	0.07
565	1200	15	0.06	10	0.04	17	0.07
660	1400	22	0.09	10	0.04	17	0.07
755	1600	30	0.12	10	0.04	17	0.07
850	1800	37	0.15	12	0.05	17	0.07
945	2000	45	0.18	12	0.05	20	0.08
1040	2200	50	0.20	12	0.05	20	0.08
1130	2400	55	0.22	12	0.05	20	0.08
1225	2600	60	0.24	12	0.05	20	0.08
1320	2800	65	0.26	12	0.05	20	0.08
1415	3000	70	0.28	12	0.05	20	0.08

### OPTIONS / ACCESSORIES AIR RESISTANCE FOR 090 MODELS

Air Volume		Wet Indoor Coil		Economizer		Electric Heat		Filters			
								MERV 8		MERV 13	
L/s	cfm	Pa	in. w.g.	Pa	in. w.g.	Pa	in. w.g.	Pa	in. w.g.	Pa	in. w.g.
1130	2400	20	0.08	12	0.05	55	0.22	12	0.05	20	0.08
1225	2600	22	0.09	15	0.06	60	0.24	12	0.05	20	0.08
1320	2800	25	0.10	15	0.06	65	0.26	12	0.05	20	0.08
1415	3000	30	0.12	15	0.06	70	0.28	12	0.05	20	0.08
1510	3200	30	0.13	15	0.06	75	0.30	15	0.06	22	0.09
1605	3400	35	0.14	15	0.06	80	0.32	15	0.06	22	0.09
1700	3600	37	0.15	15	0.06	85	0.34	15	0.06	25	0.10

### POWER EXHAUST FAN PERFORMANCE

Return Air System Static Pressure		Air Volume Exhausted	
Pa	in. w.g.	L/s	cfm
0	0.00	787	1665
12	0.05	783	1660
25	0.10	757	1605
37	0.15	712	1510
50	0.20	654	1385
62	0.25	593	1255
75	0.30	531	1125
87	0.35	476	1010



## BLOWER DATA

### CEILING DIFFUSERS AIR RESISTANCE

Air Volume		RTD9-65S Step-Down Diffuser						FD9-65S Flush Diffuser		RTD11-95S Step-Down Diffuser						FD11-95S Flush Diffuser	
		2 Ends Open		1 Side & 2 Ends Open		All Ends & Sides Open				2 Ends Open		1 Side & 2 Ends Open		All Ends & Sides Open			
L/s	cfm	Pa	in. w.g.	Pa	in. w.g.	Pa	in. w.g.	Pa	in. w.g.	Pa	in. w.g.	Pa	in. w.g.	Pa	in. w.g.	Pa	in. w.g.
375	800	37	0.15	32	0.13	27	0.11	27	0.11	---	---	---	---	---	---	---	---
470	1000	47	0.19	40	0.16	35	0.14	35	0.14	---	---	---	---	---	---	---	---
565	1200	62	0.25	50	0.20	42	0.17	42	0.17	---	---	---	---	---	---	---	---
660	1400	82	0.33	65	0.26	50	0.20	50	0.20	---	---	---	---	---	---	---	---
755	1600	107	0.43	80	0.32	50	0.20	50	0.24	---	---	---	---	---	---	---	---
850	1800	139	0.56	99	0.40	75	0.30	75	0.30	32	0.13	27	0.11	22	0.09	22	0.09
945	2000	182	0.73	124	0.50	90	0.36	90	0.36	37	0.15	32	0.13	27	0.11	25	0.10
1040	2200	236	0.95	157	0.63	109	0.44	109	0.44	45	0.18	37	0.15	30	0.12	30	0.12
1130	2400	---	---	---	---	---	---	---	---	52	0.21	45	0.18	37	0.15	35	0.14
1225	2600	---	---	---	---	---	---	---	---	60	0.24	52	0.21	45	0.18	42	0.17
1320	2800	---	---	---	---	---	---	---	---	67	0.27	60	0.24	52	0.21	50	0.20
1415	3000	---	---	---	---	---	---	---	---	80	0.32	72	0.29	62	0.25	62	0.25
1510	3200	---	---	---	---	---	---	---	---	102	0.41	92	0.37	80	0.32	77	0.31
1605	3400	---	---	---	---	---	---	---	---	124	0.50	112	0.45	97	0.39	92	0.37
1700	3600	---	---	---	---	---	---	---	---	152	0.61	134	0.54	119	0.48	109	0.44

### CEILING DIFFUSER AIR THROW DATA

Air Volume		<sup>1</sup> Effective Throw									
Model No.		RTD9-65S		FD9-65S		Model No.		RTD11-95S		FD11-95S	
L/s	cfm	m	ft.	m	ft.	L/s	cfm	m	ft.	m	ft.
375	800	3 - 5	10 - 17	4 - 5	14 - 18	1225	2600	7 - 9	24 - 29	6 - 7	19 - 24
470	1000	3 - 5	10 - 17	5 - 6	15 - 20	1320	2800	8 - 9	25 - 30	6 - 9	20 - 28
565	1200	3 - 5	11 - 18	5 - 7	16 - 22	1415	3000	8 - 10	27 - 33	6 - 9	21 - 29
660	1400	4 - 6	12 - 19	5 - 7	17 - 24	1510	3200	9 - 11	28 - 35	7 - 9	22 - 29
755	1600	4 - 6	12 - 20	5 - 8	18 - 25	1605	3400	9 - 11	30 - 37	7 - 9	22 - 30
850	1800	4 - 6	13 - 21	6 - 9	20 - 28	1700	3600	8 - 10	25 - 33	7 - 8	22 - 24
945	2000	4 - 7	14 - 23	6 - 9	21 - 29						
1040	2200	5 - 8	16 - 25	7 - 9	22 - 30						

<sup>1</sup> Effective throw based on terminal velocities of 23 m per minute ( 75 ft. per minute).

## ELECTRIC HEAT CAPACITIES

Input Voltage	5.7 kW			11.5 kW			17.2 kW			23 kW		
	No of Steps	kW input	Btuh Output	No of Steps	kW input	Btuh Output	No of Steps	kW input	Btuh Output	No of Steps	kW input	Btuh Output
380	1	4.7	16 100	1	9.4	32 100	1	14.1	48 200	1	18.8	64 200
400	1	5.2	17 800	1	10.4	35 500	1	15.6	53 300	1	20.9	71 400
420	1	5.7	19 500	1	11.5	39 300	1	17.2	58 800	1	23.0	78 500

## ELECTRICAL DATA

Model No.	KCB036S4	KCB048S4	KCB060S4	KCB072H4B	
<sup>1</sup> Voltage - 50hz with Neutral (3 Ph)	380/420V	380/420V	380/420V	380/420V	
Compressor	Rated Load Amps	4	5.5	8	9.7
	Locked Rotor Amps	31	37	59	64
Outdoor Fan Motor	Full Load Amps	1.1	1.1	1.3	1.3
Power Exhaust (1) 0.25 kW	Full Load Amps	1.3	1.3	1.3	1.3
Indoor Blower Motor	kW	1.5	1.5	1.5	1.5
	Full Load Amps	3.6	3.6	3.6	3.6
<sup>2</sup> Maximum Overcurrent Protection	Unit Only	15	15	20	25
	With (1) 0.25 kW Power Exhaust	15	15	20	25
<sup>3</sup> Minimum Circuit Ampacity	Unit Only	10	12	15	18
	With (1) 0.25 kW Power Exhaust	11	13	17	19

## ELECTRIC HEAT DATA

Electric Heat Voltage		420	420	420	420
<sup>2</sup> Maximum Overcurrent Protection	Unit+ 5.7 kW	15	15	20	25
	<sup>4</sup> Electric Heat 11.5 kW	25	25	25	25
	17.2 kW	---	---	35	35
	23 kW	---	---	---	45
<sup>3</sup> Minimum Circuit Ampacity	Unit+ 5.7 kW	15	15	15	18
	<sup>4</sup> Electric Heat 11.5 kW	25	25	25	25
	17.2 kW	---	---	35	35
	23 kW	---	---	---	44
<sup>2</sup> Maximum Overcurrent Protection	Unit+ 5.7 kW	20	20	20	25
	<sup>4</sup> Electric Heat and (1) 0.25 kW Power Exhaust 11.5 kW	30	30	30	30
	17.2 kW	---	---	40	40
	23 kW	---	---	---	50
<sup>3</sup> Minimum Circuit Ampacity	Unit+ 5.7 kW	16	16	17	19
	<sup>4</sup> Electric Heat and (1) 0.25 kW Power Exhaust 11.5 kW	26	26	26	26
	17.2 kW	---	---	36	36
	23 kW	---	---	---	46

<sup>1</sup> Extremes of operating range are plus and minus 10% of line voltage.

<sup>2</sup> Heating, Air Conditioning, Refrigeration type breaker or fuse.

<sup>3</sup> Refer to local electrical code to determine wire, fuse and disconnect size requirements.

<sup>4</sup> Nominal kW based on 420V-3ph-50hz.

## ELECTRICAL DATA

Model No.		KCB074H4T	KCB074S4B	KCB074S4T	KCB090S4T	KCB090S4B	
<sup>1</sup> Voltage - 50hz with Neutral (3 Ph)		380/420V	380/420V	380/420V	380/420V	380/420V	
Compressor	Rated Load Amps	8.5	8.5	8.5	12	12	
	Locked Rotor Amps	66.1	66.1	66.1	94	94	
Outdoor Fan Motor	Full Load Amps	1.3	1.3	1.3	1.5	1.5	
Power Exhaust (1) 0.25 kW	Full Load Amps	1.3	1.3	1.3	1.3	1.3	
Indoor Blower Motor	kW	1.2	1.5	1.2	1.2	1.5	2.2
	Full Load Amps	2.6	3.6	2.6	2.6	3.6	5.3
<sup>2</sup> Maximum Overcurrent Protection	Unit Only	20	20	20	30	30	30
	With (1) 0.25 kW Power Exhaust	20	25	20	30	30	35
<sup>3</sup> Minimum Circuit Ampacity	Unit Only	15	16	15	20	21	22
	With (1) 0.25 kW Power Exhaust	16	17	16	21	22	24

## ELECTRIC HEAT DATA

Electric Heat Voltage		420	420	420	420	420		
<sup>2</sup> Maximum Overcurrent Protection	Unit+ <sup>4</sup> Electric Heat	5.7 kW	20	20	20	30	30	30
		11.5 kW	25	25	25	30	30	30
		17.2 kW	35	35	35	35	35	40
		23 kW	45	45	45	45	45	50
<sup>3</sup> Minimum Circuit Ampacity	Unit+ <sup>4</sup> Electric Heat	5.7 kW	15	16	15	20	21	22
		11.5 kW	23	25	23	23	25	27
		17.2 kW	33	35	33	33	35	37
		23 kW	43	44	43	43	44	47
<sup>2</sup> Maximum Overcurrent Protection	Unit+ <sup>4</sup> Electric Heat and (1) 0.25 kW Power Exhaust	5.7 kW	20	25	20	30	30	35
		11.5 kW	25	30	25	30	30	35
		17.2 kW	35	40	35	35	40	40
		23 kW	45	50	45	45	50	50
<sup>3</sup> Minimum Circuit Ampacity	Unit+ <sup>4</sup> Electric Heat and (1) 0.25 kW Power Exhaust	5.7 kW	16	17	16	21	22	24
		11.5 kW	25	26	25	25	26	28
		17.2 kW	35	36	35	35	36	38
		23 kW	45	46	45	45	46	48

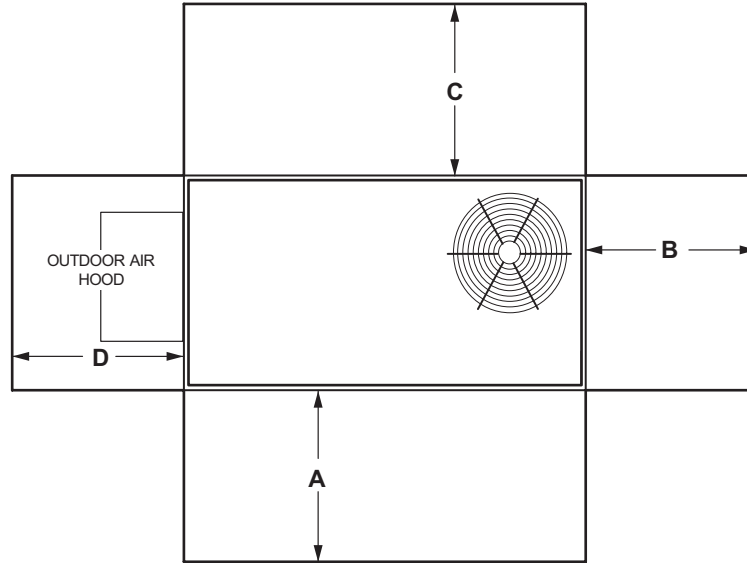
<sup>1</sup> Extremes of operating range are plus and minus 10% of line voltage.

<sup>2</sup> Heating, Air Conditioning, Refrigeration type breaker or fuse.

<sup>3</sup> Refer to local electrical code to determine wire, fuse and disconnect size requirements.

<sup>4</sup> Nominal kW based on 420V-3ph-50hz.

## UNIT CLEARANCES



<sup>1</sup> Unit Clearance	A		B		C		D		Top Clearance
	mm	in.	mm	in.	mm	in.	mm	in.	
<b>Service Clearance</b>	914	36	914	36	914	36	914	36	Unobstructed
<b>Minimum Operation Clearance</b>	914	36	914	36	914	36	914	36	

NOTE - Entire perimeter of unit base requires support when elevated above the mounting surface.

<sup>1</sup> Service Clearance - Required for removal of serviceable parts.

Minimum Operation Clearance - Required clearance for proper unit operation.

## OUTDOOR SOUND DATA

Unit Model No.	Octave Band Linear Sound Power Levels dB, re 10 <sup>-12</sup> Watts - Center Frequency - Hz							<sup>1</sup> Sound Rating Number (SRN) (dBA)
	125	250	500	1000	2000	4000	8000	
<b>KCB036 and 048</b>	62	66	70	69	66	60	50	74
<b>KCB060</b>	72	75	78	77	73	68	58	83
<b>KCB072, 074, 090</b>	66	71	74	73	70	65	57	79

Note - The octave sound power data does not include tonal corrections.

<sup>1</sup> Sound Rating Number according to ARI Standard 270-95 (includes pure tone penalty). "SRN" is the overall A-Weighted Sound Power Level, (LWA), dB (100 Hz to 10,000 Hz).

## WEIGHT DATA

Model Number	Outdoor Coil	Net		Shipping		Outdoor Coil	Net		Shipping	
		kg	lbs.	kg	lbs.		kg	lbs.	kg	lbs.
036S Base Unit	Environ™	239	527	258	568	Fin/Tube	254	560	273	601
036S Max Unit	Environ™	296	653	315	694	Fin/Tube	311	686	330	727
048S Base Unit	Environ™	239	527	258	568	Fin/Tube	254	560	273	601
048S Max Unit	Environ™	297	654	315	695	Fin/Tube	312	687	330	728
060S Base Unit	Environ™	281	620	300	661	Fin/Tube	300	662	319	703
060S Max Unit	Environ™	340	750	359	791	Fin/Tube	359	792	378	833
072H Base Unit	Environ™	281	620	300	661	---	---	---	---	---
072H Max Unit	Environ™	327	721	346	762	---	---	---	---	---
074S Base Unit	Environ™	281	620	300	661	Fin/Tube	300	662	319	703
074S Max Unit	Environ™	327	721	346	762	Fin/Tube	346	763	365	804
074H Base Unit	Environ™	281	620	300	661	Fin/Tube	n/a	n/a	n/a	n/a
074H Max Unit	Environ™	327	721	346	762	Fin/Tube	n/a	n/a	n/a	n/a
090S Base Unit	Environ™	338	745	365	805	Fin/Tube	367	810	395	870
090S Max Unit	Environ™	386	851	417	920	Fin/Tube	415	916	459	1012

<sup>1</sup> 074S models only.

NOTE - Max. Unit is the unit with ALL INTERNAL OPTIONS Installed. (Economizer, Standard Static Power Exhaust Fans, Controls, etc.). Does not include accessories EXTERNAL to unit.

## OPTIONS / ACCESSORIES

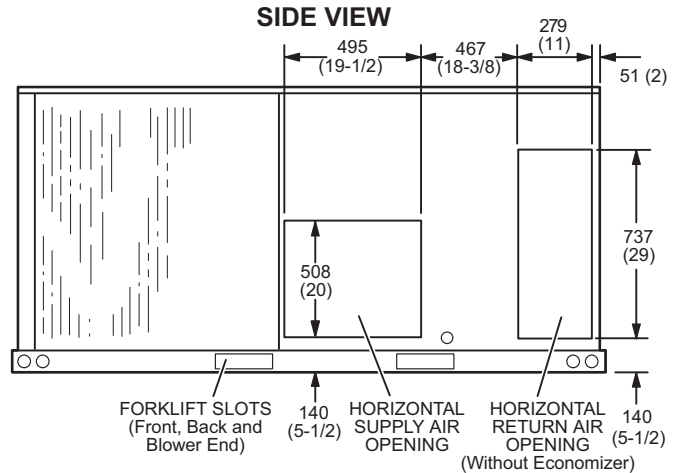
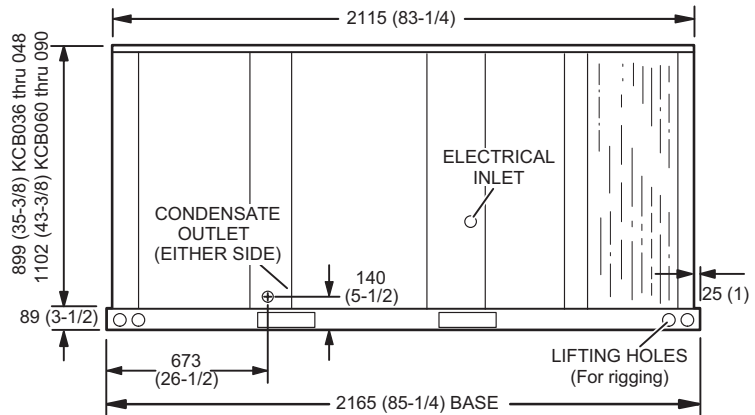
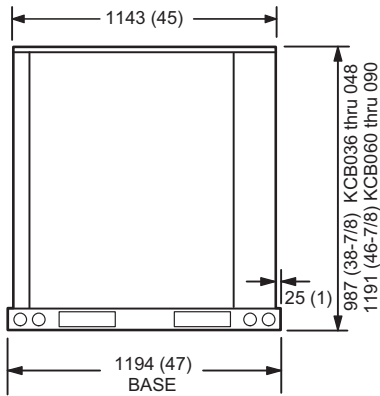
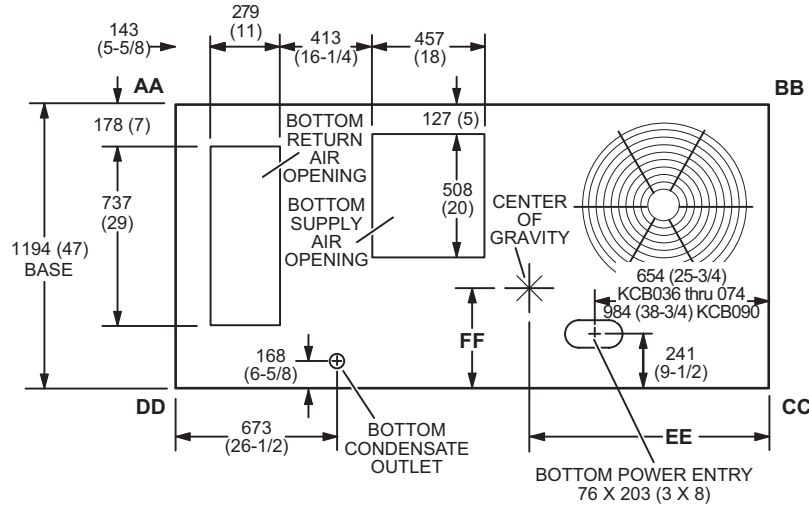
	Shipping Weights		
	kg	lbs.	
<b>ECONOMIZER</b>			
Economizer, Includes Barometric Relief Dampers and Exhaust Hood	59	131	
<b>OUTDOOR AIR</b>			
<b>Outdoor Air Dampers</b>			
Motorized	18	40	
Manual	14	30	
<b>POWER EXHAUST</b>			
Standard Static	16	35	
<b>ELECTRIC HEAT</b>			
5.7 kW	14	31	
11.5 kW	14	31	
17.2 kW	16	35	
23 kW	16	35	
<b>ROOF CURBS</b>			
<b>Hybrid Roof Curb, Downflow</b>			
203 mm height	23	50	
356 mm height	32	70	
457 mm height	36	80	
610 mm height	45	100	
<b>Hybrid Curb, Full Perimeter, Downflow</b>			
203 mm height	26	57	
356 mm height	27	60	
457 mm height	41	91	
610 mm height	52	114	
<b>Adjustable Pitch Curb, Downflow</b>			
356 mm height	51	113	
<b>CEILING DIFFUSERS</b>			
Step-Down	RTD9-65S	36	80
	RTD11-95S	54	118
Flush	FD9-65S	36	80
	FD11-95S	54	118
Transitions (Supply and Return)	T1TRAN10AN1	10	22
	T1TRAN20N-1	10	21

# DIMENSIONS - UNIT

Model No.	CORNER WEIGHTS								CENTER OF GRAVITY															
	AA		BB		CC		DD		EE		FF		FF											
	Base	Max.	Base	Max.	Base	Max.	Base	Max.	Base	Max.	Base	Max.	Base	Max.										
	kg	lbs.	kg	lbs.	kg	lbs.	kg	lbs.	kg	lbs.	mm	in.	mm	in.	mm	in.								
036	48	107	60	132	56	123	60	131	72	159	80	177	62	138	97	213	1003	39-1/2	1143	45	521	20-1/2	508	20
048	48	107	60	132	56	123	60	131	72	159	81	177	62	138	97	213	1003	39-1/2	1143	45	521	20-1/2	508	20
060	53	118	65	142	63	140	69	152	89	197	93	205	75	166	114	251	991	39	1137	44-3/4	495	19-1/2	508	20
072	53	118	65	142	63	140	69	152	89	197	93	205	75	166	114	251	991	39	1137	44-3/4	495	19-1/2	508	20
074	53	118	65	142	63	140	69	152	89	197	93	205	75	166	114	251	991	39	1137	44-3/4	495	19-1/2	508	20
090	74	164	85	187	81	179	92	203	100	221	114	252	92	203	105	231	1194	47	1194	47	533	21	533	21

Base Unit - The unit with NO INTERNAL OPTIONS.

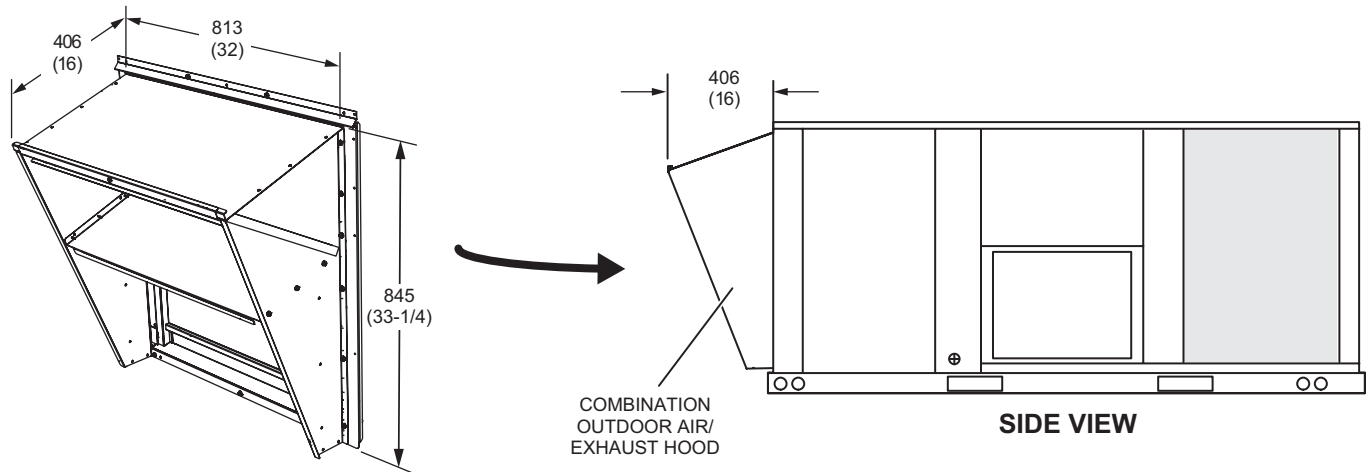
Max. Unit - The unit with ALL INTERNAL OPTIONS Installed. (Economizer, Standard Static Power Exhaust Fans, Controls, etc.). Does not include accessories external to unit or high static power exhaust.



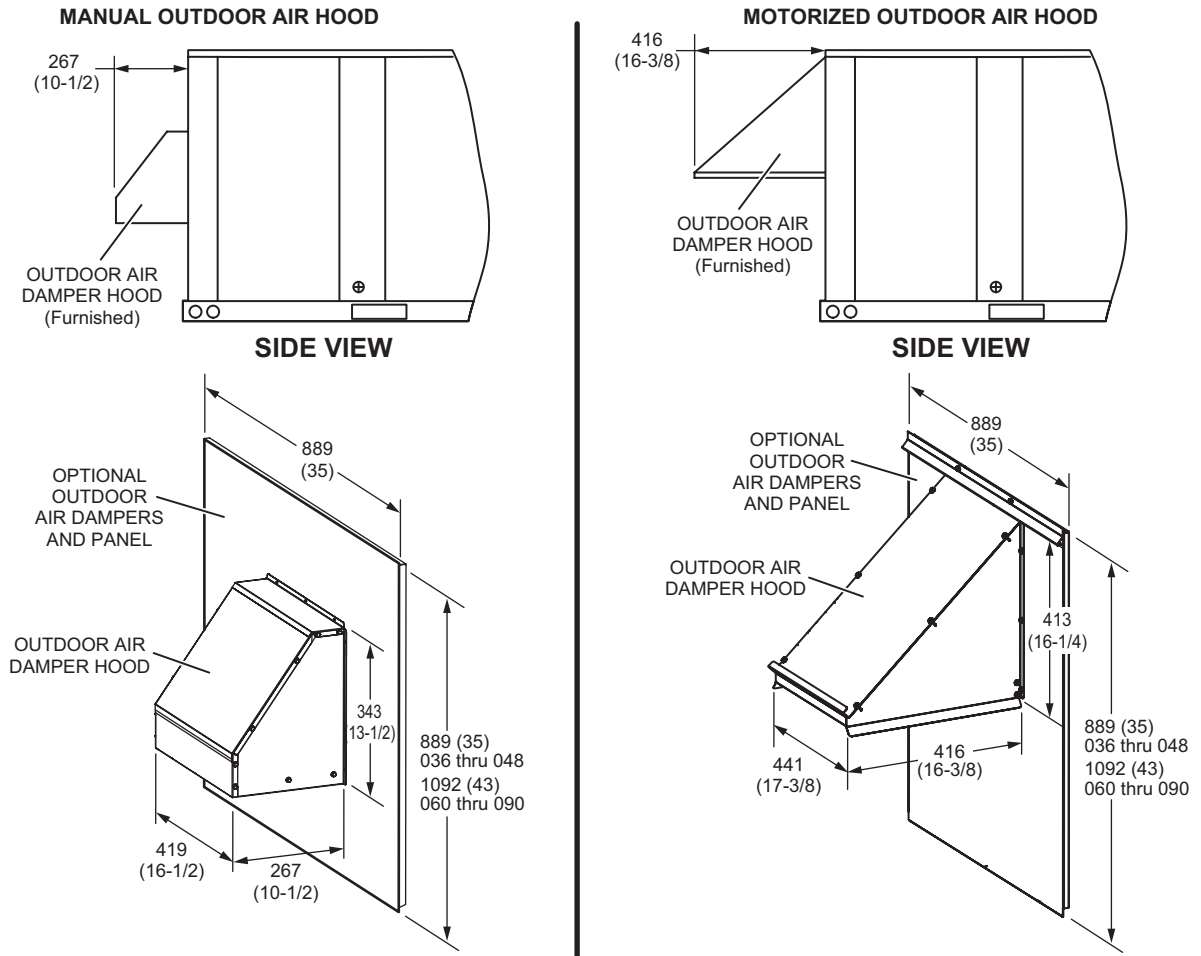
## DIMENSIONS - ACCESSORIES

### COMBINATION OUTDOOR AIR HOOD DETAIL FOR OPTIONAL ECONOMIZER AND BAROMETRIC RELIEF DAMPERS - DOWNFLOW APPLICATIONS

- Furnished with Factory Installed Standard Economizer
- Optional for Field Installed Standard Economizer - Order Separately
- Furnished with Factory and Field Installed High Performance Economizer

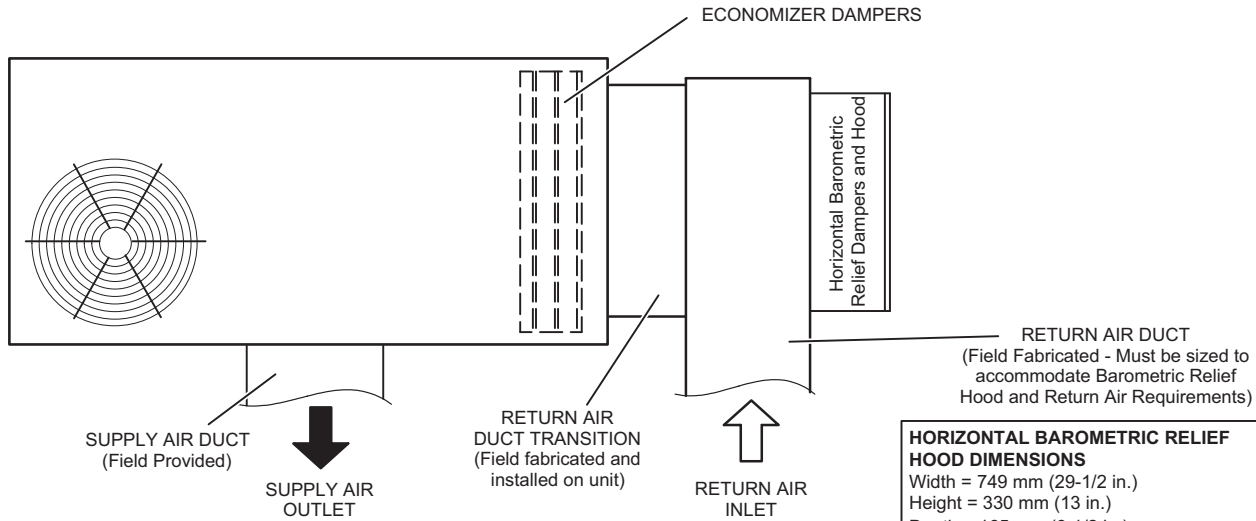


### OUTDOOR AIR DAMPER HOOD DETAIL (Downflow or Horizontal Applications)



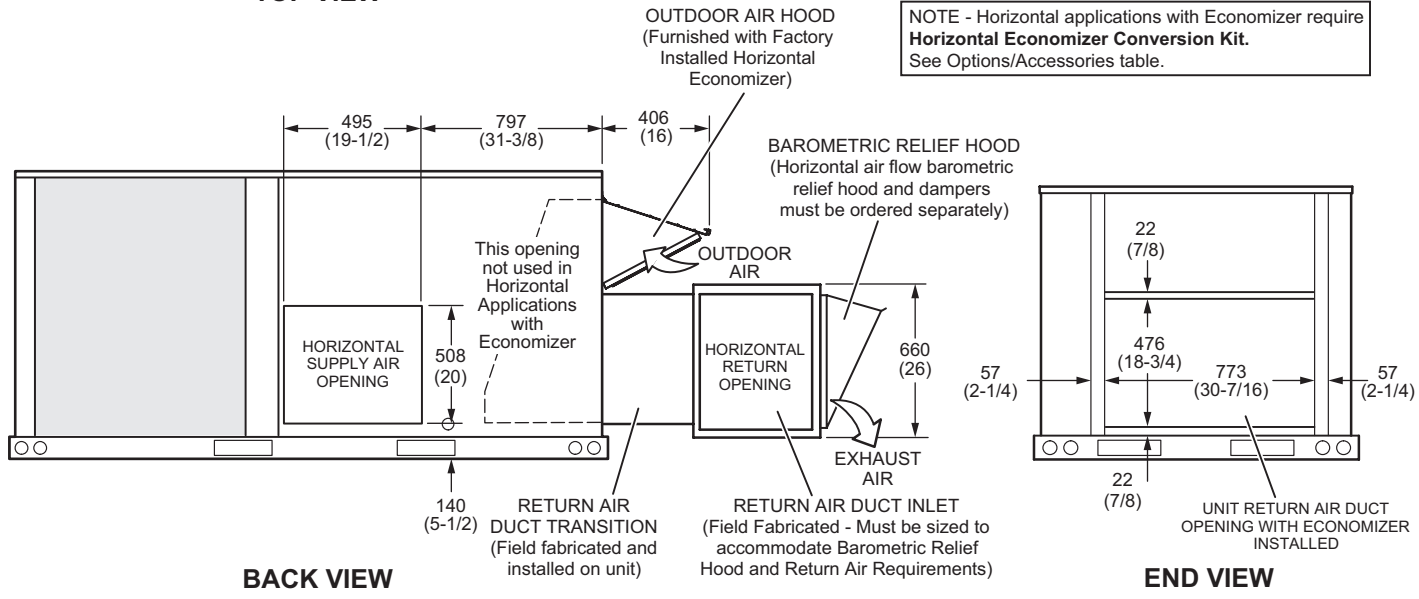
# DIMENSIONS - ACCESSORIES

## OUTDOOR AIR HOOD DETAIL WITH OPTIONAL ECONOMIZER AND OPTIONAL BAROMETRIC RELIEF DAMPERS WITH HOOD (Horizontal Application)



**HORIZONTAL BAROMETRIC RELIEF HOOD DIMENSIONS**  
 Width = 749 mm (29-1/2 in.)  
 Height = 330 mm (13 in.)  
 Depth = 165 mm (6-1/2 in.)

**NOTE** - Horizontal applications with Economizer require **Horizontal Economizer Conversion Kit**. See Options/Accessories table.

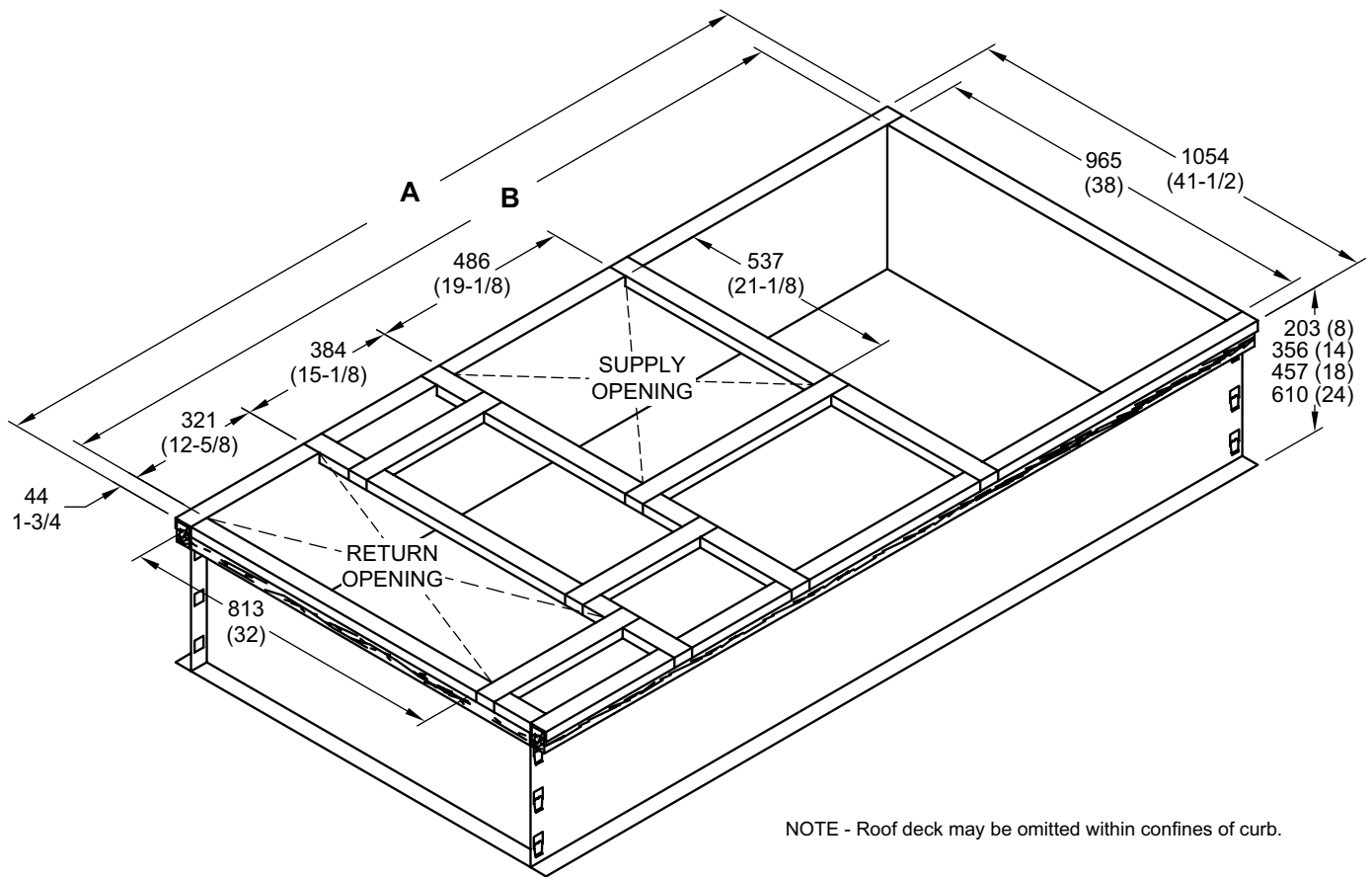


**NOTE** - Return Air Duct and Transition must be supported

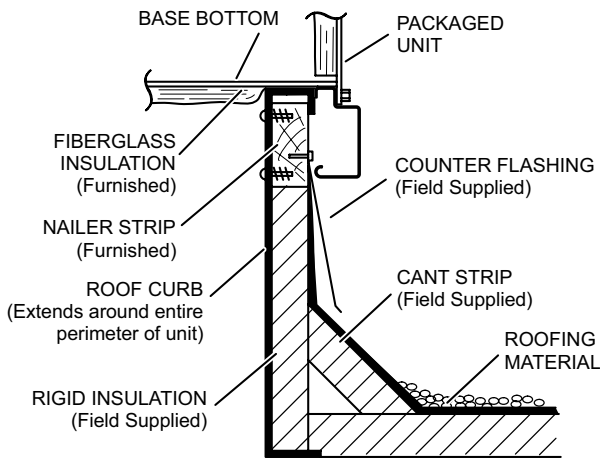


# DIMENSIONS - ACCESSORIES

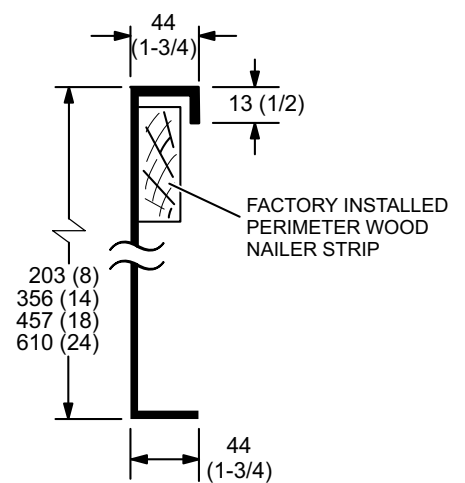
## HYBRID ROOF CURBS - DOUBLE DUCT OPENING - STANDARD AND FULL PERIMETER



**TYPICAL FLASHING DETAIL FOR ROOF CURB**



**DETAIL ROOF CURB**

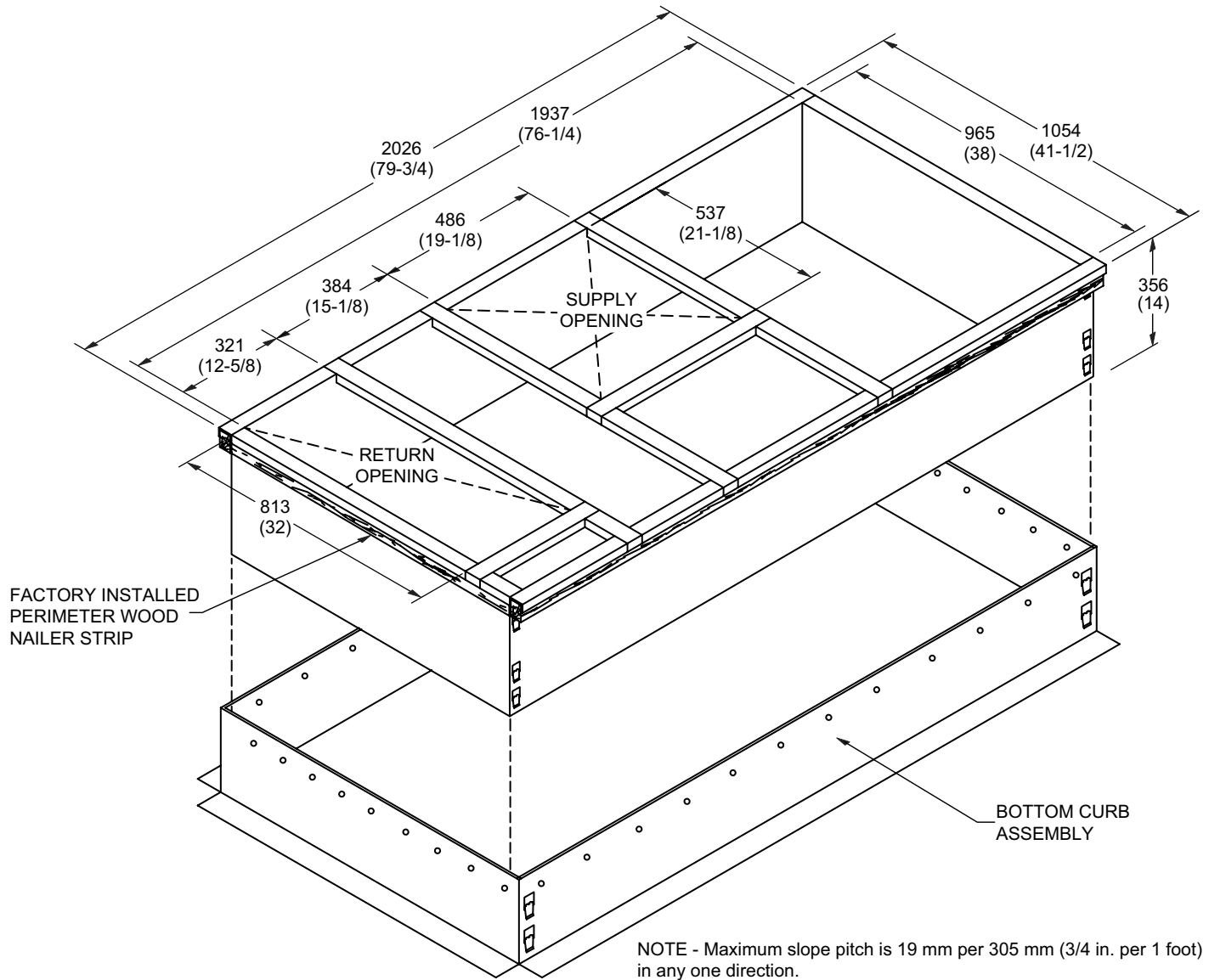


Model No.	A		B	
	mm	in.	mm	in.
Standard - 036, 048, 060, 072, 074, <sup>1</sup> 090	2026	79-3/4	1937	76-1/4
Full Perimeter - 090	2356	92-3/4	2267	89-1/4

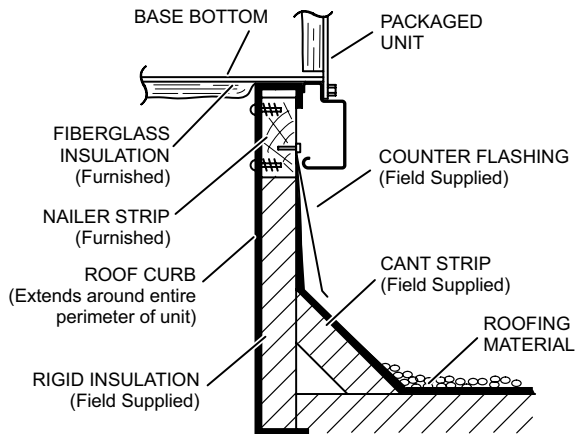
<sup>1</sup> 090 models can be used on smaller 2026 mm (79-3/4 in.) roof curbs (not full perimeter) with 400 mm (15-3/4 in.) overhang at condenser end of unit. See dimension drawing on page 51.

# DIMENSIONS - ACCESSORIES

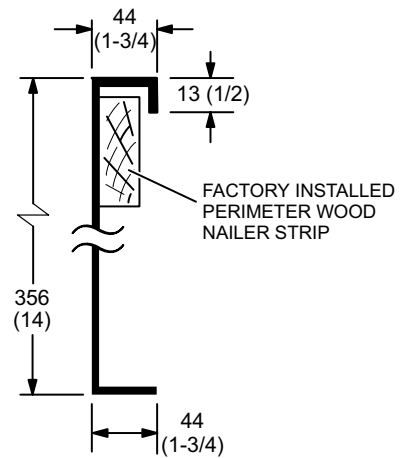
## ADJUSTABLE PITCH CURBS - DOUBLE DUCT OPENING



**TYPICAL FLASHING DETAIL FOR ROOF CURB**

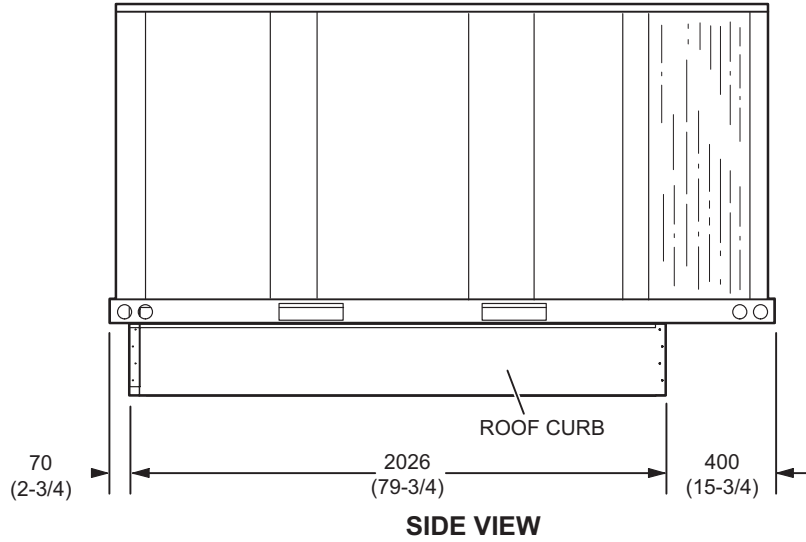


**DETAIL ROOF CURB**

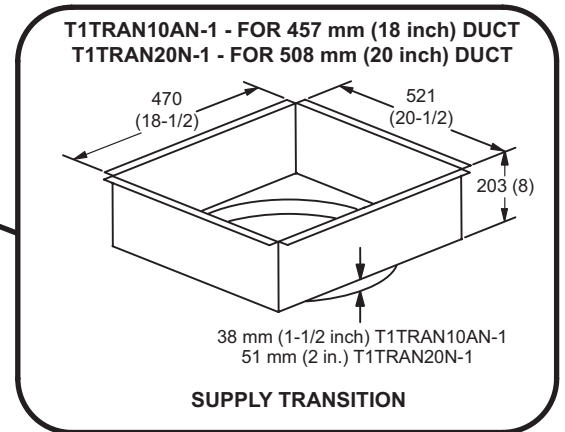
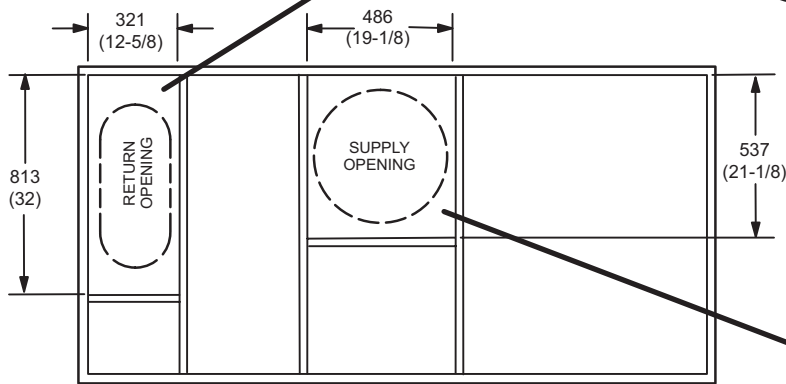
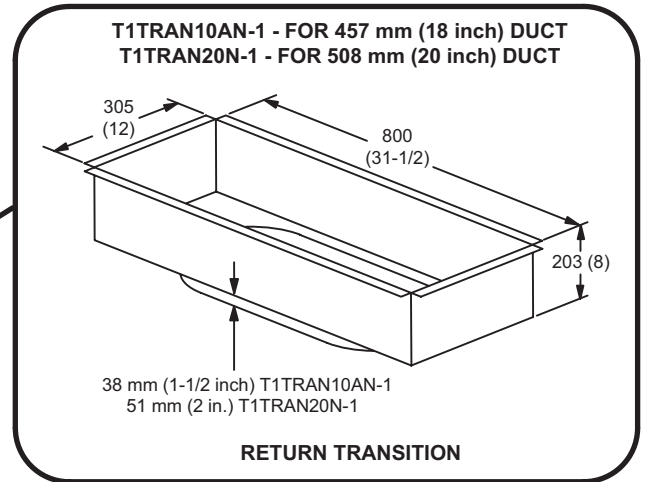


## DIMENSIONS - ACCESSORIES

090 MODELS - SHOWING OVERHANG ON SMALLER 2026 MM LENGTH ROOF CURBS  
(Not Full Perimeter)



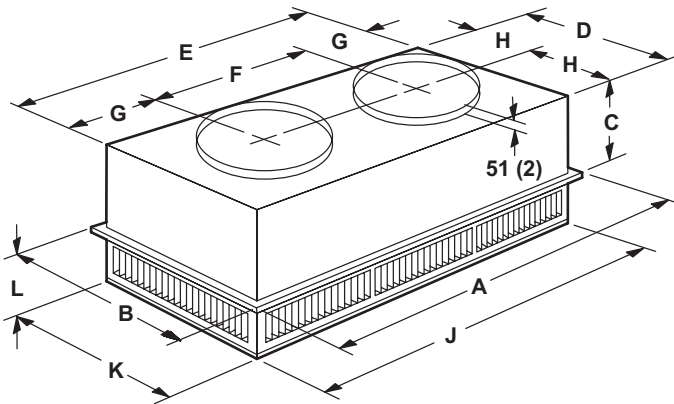
## TRANSITIONS



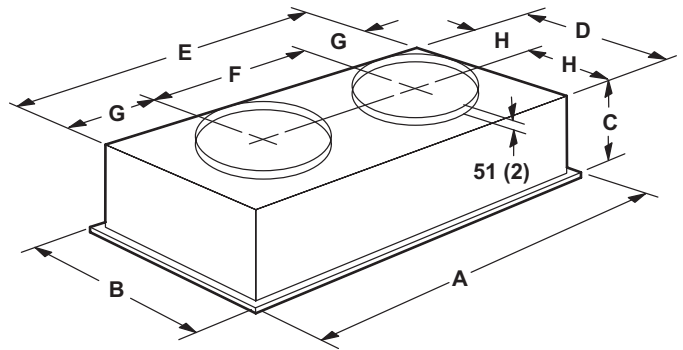
## DIMENSIONS - ACCESSORIES

### COMBINATION CEILING SUPPLY AND RETURN DIFFUSERS

#### STEP-DOWN CEILING DIFFUSER



#### FLUSH CEILING DIFFUSER



Model Number		RTD9-65S	RTD11-95S
A	mm	1159	1159
	in.	47-5/8	47-5/8
B	mm	600	752
	in.	23-5/8	29-5/8
C	mm	289	365
	in.	11-3/8	14-3/8
D	mm	546	699
	in.	21-1/2	27-1/2
E	mm	1156	1158
	in.	45-1/2	45-1/2
F	mm	572	572
	in.	22-1/2	22-1/2
G	mm	292	292
	in.	11-1/2	11-1/2
H	mm	273	349
	in.	10-3/4	13-3/4
J	mm	1156	1156
	in.	45-1/2	45-1/2
K	mm	546	699
	in.	21-1/2	27-1/2
L	mm	181	206
	in.	7-1/8	8-1/8
Duct Size	mm	457 round	508 round
	in.	18 round	20 round

Model Number		FD9-65S	FD11-95S
A	mm	1159	1159
	in.	47-5/8	47-5/8
B	mm	600	752
	in.	23-5/8	29-5/8
C	mm	343	422
	in.	13-1/2	16-5/8
D	mm	533	686
	in.	21	27
E	mm	1143	1143
	in.	45	45
F	mm	572	572
	in.	22-1/2	22-1/2
G	mm	286	286
	in.	11-1/4	11-1/4
H	mm	267	343
	in.	10-1/2	13-1/2
Duct Size	mm	457 round	508 round
	in.	18 round	20 round



## REVISIONS

Sections	Description of Change
Options/Accessories	Economizer information updated.



Visit us at [www.Lennox.com](http://www.Lennox.com)

For the latest technical information, [www.LennoxCommercial.com](http://www.LennoxCommercial.com)

Contact us at 1-800-4-LENNOX

NOTE - Due to Lennox' ongoing commitment to quality, Specifications, Ratings and Dimensions subject to change without notice and without incurring liability. Improper installation, adjustment, alteration, service or maintenance can cause property damage or personal injury. Installation and service must be performed by a qualified installer and servicing agency.

©2022 Lennox Industries, Inc.