



INSTALL INSTRUCTIONS FOR CONSOLIDATED COIL/HAIL GUARD TO SUIT LENNOX CAT # 15D23

⚠ CAUTION

WHEN INSTALLING COIL GUARD BE SURE
NOT TO PUNCTURE CONDENSER COIL

1. THE 15D23 COIL GUARDS ARE DESIGNED TO PROTECT THE CONDENSOR COIL OF THE HVAC UNIT. THE FOLLOWING ARE INCLUDED:-

SHIPPING AND PACKING LIST

- 1- SIDE GUARD
- 1- BACK GUARD
- 1- HARDWARE BAG W/
 - 1-INSTRUCTIONS
 - 2-#10X1/2" SCREWS (NON SELF TAPPING 'A')
 - 9-#10X1/2" SCREWS (SELF TAPPING)

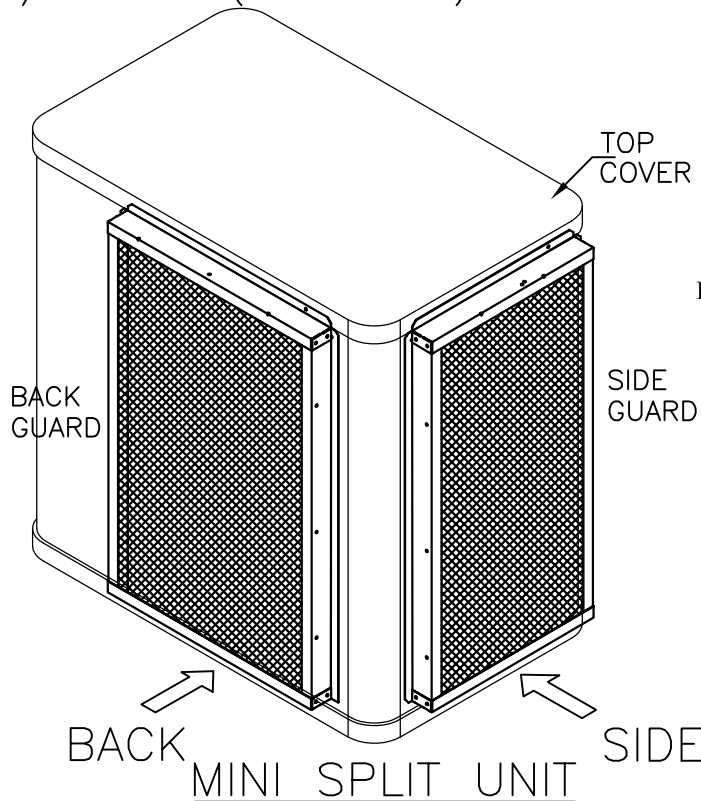
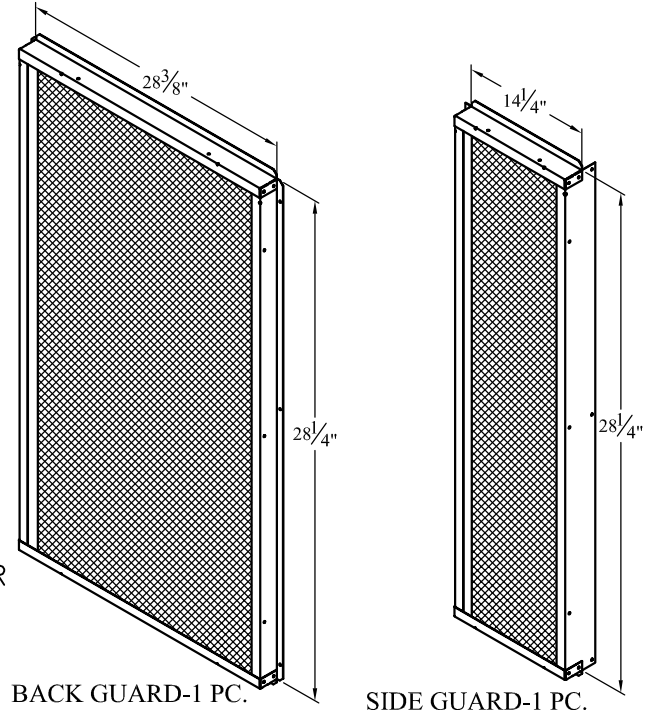


FIG. 1



**NOTE:- BE CAREFUL NOT TO DAMAGE THE COIL WHILE INSTALLING THE GUARDS.
THE SELF DRILLING SCREWS PROVIDED CAN BE USED ON THE SIDES WITHOUT MATCHING HOLES IN THE UNIT.
DO NOT REMOVE GRID. LEAVE IT ON THE UNIT.**

5000348 LCCGH052

AUG. 2 / 16



INSTALL INSTRUCTIONS FOR CONSOLIDATED COIL/HAIL GUARD TO SUIT LENNOX CAT # 15D23

****INSTALLATION PROCEDURE****

1. DISCONNECT ALL POWER SOURCES TO THE UNIT.
2. REMOVE WIRE GRIP ON BACK OF UNIT AND DISCARD.

3. BACK GUARD INSTALLTION:-

- SLIDE TOP FLANGE OF THE GUARD BETWEEN UNIT TOP FLANGE AND COIL.
- LOCATE AND UNSCREW EXISTING SCREWS ON THE UNIT. USE SAME SCREW HOLES TO LINE UP GUARD LEFT FLANGE ON TO THE UNIT. TO HOLD THE GUARD, USE #10X1/2" NON SELF TAPPING SCREWS(PROVIDED WITH PACKAGE). DO NOT USE EXISTING UNIT SCREWS JUST REMOVED. USE ONLY HAND SCREW DRIVER, TO AVOID ANY COIL DAMAGE. DO NOT USE POWER DRILL ON LEFT SIDE. (FIG.#2)
- SECURE THE GUARD ON RIGHT SIDE BY USING #10X1/2" SELF TAPPING SCREWS. (PROVIDED WITH PACKAGE).

4. SIDE GUARD INSTALLTION:-

- SECURE LEFT AND RIGHT SIDE FLANGES ONTO THE UNIT BY SECURING THEM WITH #10X1/2" SELF TAPPING SCREWS (PROVIDED WITH PACKAGE).

