



INSTALL INSTRUCTIONS FOR CONSOLIDATED COIL/HAIL GUARD TO SUIT LENNOX CAT # 15D32

⚠ CAUTION

WHEN INSTALLING COIL GUARD BE SURE
NOT TO PUNCTURE CONDENSER COIL

1. THE 15D32 COIL GUARDS ARE DESIGNED TO
PROTECT THE CONDENSOR COIL OF THE HVAC UNIT.
THE FOLLOWING ARE INCLUDED:—

SHIPPING AND PACKING LIST

- 1— SIDE GUARD
- 1— BACK GUARD
- 1— HARDWARE BAG W/
 - 1—INSTRUCTIONS
 - 2—#10-1/2" SCREWS (NON SELF TAPPING 'A')
 - 6—#10-1/2" SCREWS (SELF TAPPING)

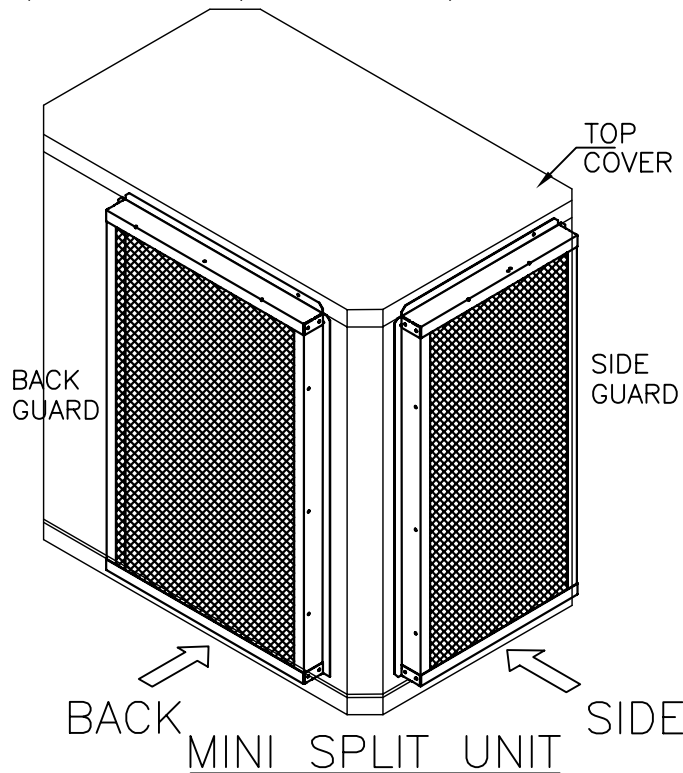
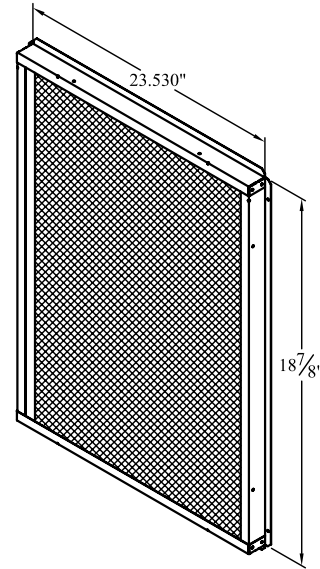
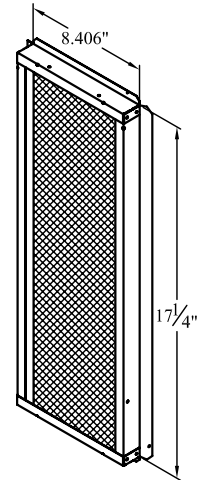


FIG. 1



BACK GUARD-1 PC.



SIDE GUARD-1 PC.

**NOTE:- BE CAREFUL NOT TO DAMAGE THE COIL WHILE
INSTALLING THE GUARDS.
THE SELF DRILLING SCREWS PROVIDED CAN BE USED
ON THE SIDES WITHOUT MATCHING HOLES IN THE UNIT.
DO NOT REMOVE WIRE FAN GUARD. LEAVE IT ON THE
UNIT.**

5000365 LCCGH063

AUG.,14,2017



INSTALL INSTRUCTIONS FOR CONSOLIDATED COIL/HAIL GUARD TO SUIT LENNOX CAT # 15D32

****INSTALLATION PROCEDURE****

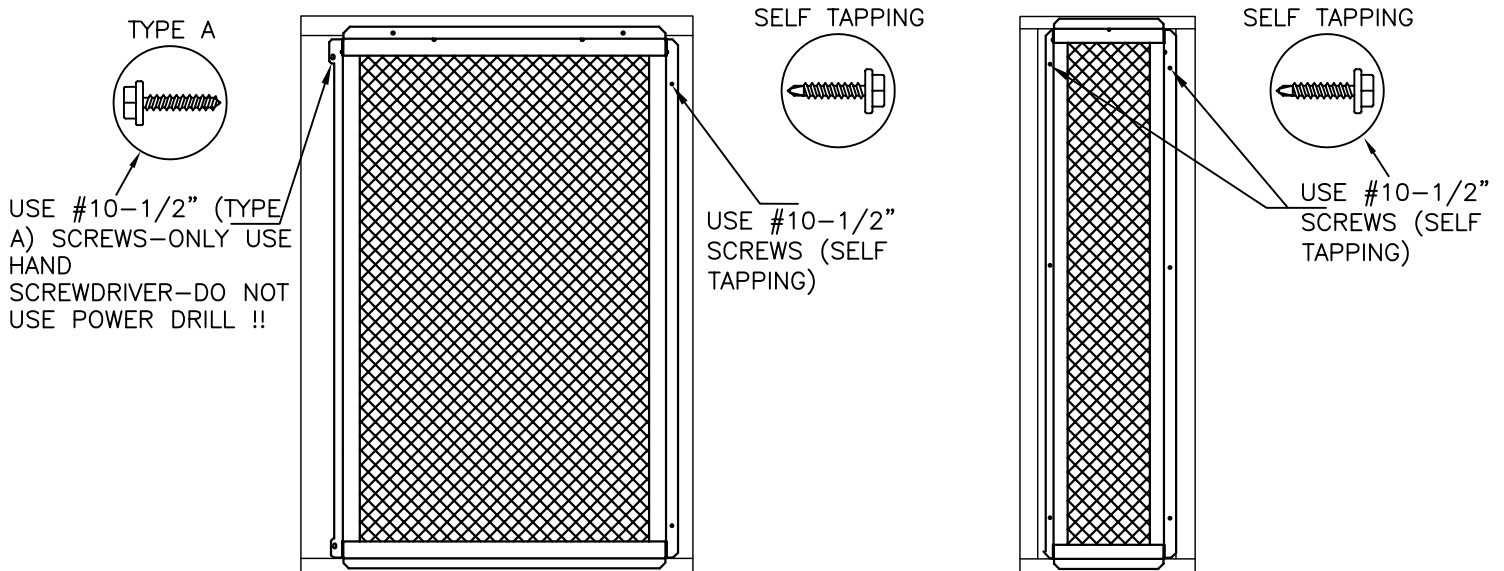
1. DISCONNECT ALL POWER SOURCES TO THE UNIT.
2. REMOVE WIRE GRID ON BACK OF UNIT AND DISCARD.
3. BACK GUARD INSTALLATION:-

-LOCATE AND UNSCREW EXISTING SCREWS ON THE UNIT. USE SAME SCREW HOLES TO LINE UP GUARD LEFT FLANGES ON TO THE UNIT. TO HOLD THE GUARD, USE #10X1/2" NON SELF TAPPING SCREWS (PROVIDED WITH PACKAGE). DO NOT USE EXISTING UNIT SCREWS JUST REMOVED. USE ONLY HAND SCREW DRIVER, TO AVOID ANY COIL DAMAGE. DO NOT USE POWER DRILL.

-REPEAT THE SAME PROCESS FOR RIGHT SIDE FLANGE, USING #10-1/2-Self TAPPING SCREWS PROVIDED. (FIG.#2)

4. SIDE GUARD INSTALLATION:-

- SECURE LEFT AND RIGHT SIDE FLANGES ONTO THE UNIT BY SECURING THEM WITH #10X1/2" SELF TAPPING SCREWS (PROVIDED WITH PACKAGE).



BACK VIEW

FIG. 2

SIDE VIEW

FIG. 3