



Air Conditioners 2AC14

TECHNICAL SPECIFICATIONS

- Quiet, durable compressor is safeguarded by internal pressure relief valves and inherent thermal protection
- High-quality condenser coils use copper tubes with enhanced louvered fins for maximum heat transfer capability
- Special coil guard protects coils from fin damage
- Vertical air discharge sends hot air up and away from home and shrubbery
- All models ETL, ETL, and ARI listed
- Permanently lubricated condenser fan motor needs no annual maintenance
- Designed with ease of service in mind featuring hinged control panel for simple access to internal components
- Angled service valves are positioned to allow easy access with low-loss fittings and are set for direct and straight line-set access to the home
- Factory-installed liquid line filter driers protect the compressors from contaminants
- The corrosion-resistant cabinet is built from strong, heavy-gauge prepainted steel and has drainage holes to quickly remove standing water from the base pan
- Every air conditioner is tested for leaks and proper operation at the factory to ensure faultless performance
- Charged for 15 feet of line-set

14 SEER
1.5 to 5 Tons



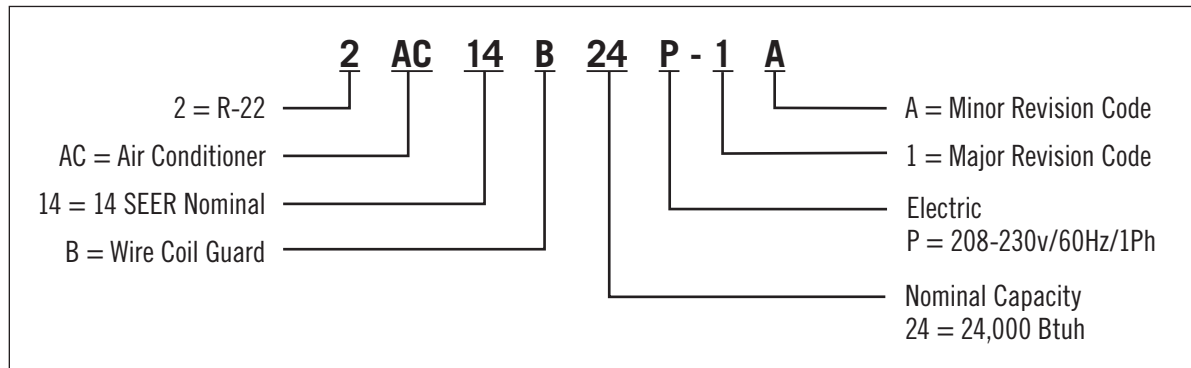
Warranty

Compressor - 5 Year Limited
Parts - 5 Year Limited

Air Conditioners

2AC14

Model Number Identification



Electrical Data / Specifications

Model No.	2AC14B18P-1A	2AC14B24P-1A	2AC14B30P-1A	2AC14B36P-1A	2AC14B42P-1A	2AC14B48P-1A	2AC14B60P-1A
Rated Voltage (Volts)	208-230	208-230	208-230	208-230	208-230	208-230	208-230
Phase	1	1	1	1	1	1	1
Frequency (Hz.)	60	60	60	60	60	60	60
Voltage Range	197-253	197-253	197-253	197-253	197-253	197-253	197-253
Maximum Overcurrent Protection	15	20	25	30	35	35	50
Minimum Circuit Ampacity	9.7	11.6	15.2	17.2	21.5	22.6	28.8
Compressor - Rated Load Amps	6.9	8.4	11.3	12.9	16.2	17.1	21.4
Compressor - Locked Rotor Amps	35	39	51	61	82	100	137
Compressor Type	Reciprocating	Reciprocating	Reciprocating	Scroll	Reciprocating	Scroll	Scroll
Fan Motor - Rated Load Amps	1.1	1.1	1.1	1.1	1.2	1.2	2
Fan Motor - HP	1/10	1/10	1/5	1/5	1/4	1/4	1/4
Fan Motor - Nominal RPM	1075	1075	1075	1075	1075	1075	1075
Refrigerant Charge (oz.)	106	129	154	165	204	208	264
Liquid Line Set	3/8	3/8	3/8	3/8	3/8	3/8	3/8
Vapor Line Set	3/4	3/4	3/4	3/4	7/8	7/8	1-1/8
Weight (lbs)	185	201	227	226	262	261	270

Accessories

Model No.	2AC14B18P-1A	2AC14B24P-1A	2AC14B30P-1A	2AC14B36P-1A	2AC14B42P-1A	2AC14B48P-1A	2AC14B60P-1A
Compressor Sound Blanket	14W00	14W00	14W00	14W03	14W00	14W03	14W03
Crankcase Heater	14W04	14W04	14W04	14W05	14W04	14W05	14W05
Hard Start Kit	12W19 (Factory)	12W19 (Factory)	12W19 (Factory)	12W20	12W19 (Factory)	12W20	12W20
Low Ambient Kit	14W11	14W11	14W11	14W11	14W11	14W11	14W11
Pressure Switch - Low	14W08	14W08	14W08	14W08	14W08	14W08	14W08
Pressure Switch - High	14W09	14W09	14W09	14W09	14W09	14W09	14W09
Short Cycle Protection	14W07	14W07	14W07	14W07	14W07	14W07	14W07
TXV Kit	26K34	26K34	26K34	26K34	26K34	26K35	26K35

Air Conditioners 2AC14

Cooling Performance with RBC Air Handlers

Outdoor Model	Indoor Models	Cooling ¹				CFM	Metering Device
		Btuh	SEER	EER	Rated Sensible Btuh		TXV (2X)
2AC13B18P-1A	RBCS2M18C00NA1P+TXV RBCS2M18C00NA2X	19,000	14.50	12.50	12,900	650	Factory
2AC13B24P-1A	RBCS2M24C00NA1P+TXV RBCS2M24C00NA2X	23,800	14.00	12.50	17,600	850	Factory
2AC13B30P-1A	RBCS2M30C00NA1P+TXV RBCS2M30C00NA2X	28,600	14.00	12.50	20,900	1050	Factory
2AC13B36P-1A	RBCS2M36C00NA1P+TXV RBCS2M36C00NA2X	34,800	14.00	12.50	25,400	1250	Factory
2AC13B42P-1A	RBCS2M42C00NA1P+TXV RBCS2M42C00NA2X	40,000	14.00	12.00	29,200	1450	Factory
2AC13B48P-1A	RBCS2M48C00NA1P+TXV RBCS2M48C00NA2X	48,000	14.50	12.50	34,600	1650	Factory
2AC13B60P-1A	RBCS2M60C00NA1P+TXV	54,000	14.00	12.00	41,600	1950	Factory

¹ Certified in accordance with Unitary Air Conditioning Program which is based on ARI Standard 210/240.

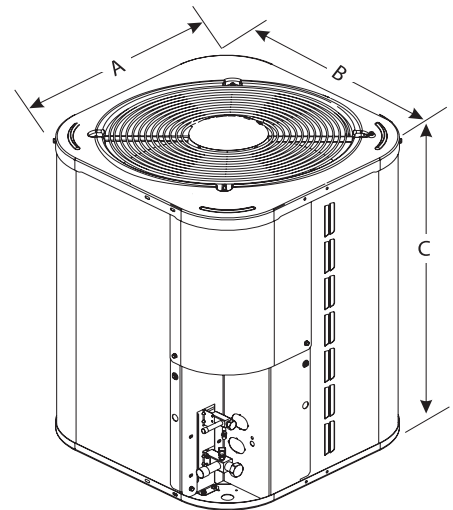
NOTE - Blower control in air handler must be set for a time-off blower delay.

Sound Ratings

Model No.	Sound Rating dBA
2AC14B18P	80
2AC14B24P	80
2AC14B30P	79
2AC14B36P	80
2AC14B42P	76
2AC14B48P	78
2AC14B60P	80

Dimensions

Model No.	2AC14B18P-1A	2AC14B24P-1A	2AC14B30P-1A	2AC14B36P-1A
Cabinet Width (A) in	30"	30"	30"	30"
Cabinet Depth (B) in	30"	30"	30"	30"
Height (C) in	25-1/2"	25-1/2"	33-1/2"	33-1/2"
Model No.	2AC14B42P-1A	2AC14B48P-1A	2AC14B60P-1A	
Cabinet Width (A) in	30"	30"	30"	
Cabinet Depth (B) in	30"	30"	30"	
Height (C) in	41-1/2"	41-1/2"	41-1/2"	



1.800.982.2333

www.aireflo-hvac.com



210512 2AC14 (10/08)

© Aire-Flo Heating and Cooling, 2008