



Air Conditioners 4AC13

PRODUCT SPECIFICATIONS

- R-410A Refrigerant
- High-quality condenser coil with copper tubing and enhanced louvered fin for maximum heat transfer capacity
- Top discharge directs hot air away from living area and shrubbery
- All units factory run tested
- Louvered cabinet protects coil from fin damage
- Easy access to electrical panel
- Corner mounted service valves for easy hook-up and service
- Liquid line filter drier furnished for field installation
- Charged for 15 feet of interconnecting tubing
- AHRI Certified and ETL listed
- Region specific models meet the minimum efficiency requirements for U.S. DOE Federal Regional Standards in that area.

13 SEER
1.5 to 5 Tons



Warranty
Compressor - 5 Year Limited
Parts - 5 Year Limited

Air Conditioners

4AC13

Cooling Performance (All Regions)

Outdoor Unit Model No.	1 Rated Air Capacity	SEER	EER	Indoor Unit Model No.	Furnace Model No.	Indoor Metering Device		AHRI Reference No.
						2 Indoor Orifice (Required)	Field Installed TXV (Optional)	
4AC13L18P-7, 8	17,300	14.00	12.00	A*24E(1,2)*	95AF2DF045BV12	0.053	N/A	5598984
	17,300	14.00	12.00	A*24E(1,2)*	95AF2DF070BV16	0.053	N/A	5598985
	17,300	14.00	12.00	A*24E(1,2)*	95AF2UH045BV12	0.053	N/A	5598986
	17,300	14.00	12.00	A*24E(1,2)*	95AF2UH070BV12	0.053	N/A	5598987
	17,300	13.00	11.00	A*24E(1,2)*+TD		0.053	N/A	5598980
	17,600	14.00	12.00	A*36G(1,2)*	95AF2DF045BV12	0.053	N/A	5598988
	17,600	14.00	12.00	A*36G(1,2)*	95AF2DF070BV16	0.053	N/A	5598989
	17,600	14.00	12.00	A*36G(1,2)*	95AF2UH045BV12	0.053	N/A	5598990
	17,600	14.00	12.00	A*36G(1,2)*	95AF2UH070BV12	0.053	N/A	5598991
	17,600	13.00	11.00	A*36G(1,2)*+TD		0.053	N/A	5598981
	17,600	14.00	12.00	AH24D(1,2)B	95AF2UH045BV12	0.053	N/A	5598992
	17,600	14.00	12.00	AH24D(1,2)B	95AF2UH070BV12	0.053	N/A	5598993
	17,600	13.00	11.00	AH24D(1,2)B+TD		0.053	N/A	5598982
	17,600	14.00	12.00	AH36G(1,2)B	95AF2UH045BV12	0.053	N/A	5598994
	17,600	14.00	12.00	AH36G(1,2)B	95AF2UH070BV12	0.053	N/A	5598995
	17,600	13.00	11.00	AH36G(1,2)B+TD		0.053	N/A	5598983
	17,600	13.00	11.00	BCS3M18C****P		0.053	N/A	5559082
4AC13L24P-7, 8	22,800	13.00	11.00	A*24E(1,2)*	95AF2DF045BV12	0.057	N/A	5598996
	22,800	13.00	11.00	A*24E(1,2)*	95AF2DF070BV16	0.057	N/A	5598997
	22,000	13.00	10.50	A*24E(1,2)*	95AF2DF090CV20	0.057	N/A	5598998
	22,000	13.00	11.00	A*24E(1,2)*	95AF2DF110CV20	0.057	N/A	5598999
	22,800	14.00	12.00	A*24E(1,2)*	95AF2UH045BV12	0.057	N/A	5599000
	22,800	14.00	12.00	A*24E(1,2)*	95AF2UH070BV12	0.057	N/A	5599001
	22,000	13.00	11.00	A*24E(1,2)*	95AF2UH090CV12	0.057	N/A	5599002
	22,800	13.00	11.00	A*24E(1,2)*+TD		0.057	N/A	5588845
	22,800	13.00	11.00	A*30F(1,2)*+TD		0.057	N/A	5599003
	22,800	13.00	11.00	A*36G(1,2)*	95AF2DF045BV12	0.057	N/A	5599004
	22,800	13.00	11.00	A*36G(1,2)*	95AF2DF070BV16	0.057	N/A	5599005
	22,800	13.00	11.00	A*36G(1,2)*	95AF2DF090CV20	0.057	N/A	5599006
	22,800	14.00	12.00	A*36G(1,2)*	95AF2DF110CV20	0.057	N/A	5599007
	22,800	14.00	12.00	A*36G(1,2)*	95AF2UH045BV12	0.057	N/A	5599008
	22,800	14.00	12.00	A*36G(1,2)*	95AF2UH070BV12	0.057	N/A	5599009
	22,800	14.00	12.00	A*36G(1,2)*	95AF2UH090CV12	0.057	N/A	5599010
	22,800	13.00	11.00	A*36G(1,2)*+TD		0.057	N/A	5588846
	22,800	14.00	12.00	AH24D(1,2)B	95AF2UH045BV12	0.057	N/A	5599012
	22,800	14.00	12.00	AH24D(1,2)B	95AF2UH070BV12	0.057	N/A	5599013
	22,200	13.00	11.00	AH24D(1,2)B	95AF2UH090CV12	0.057	N/A	5599014
	22,800	13.00	11.00	AH24D(1,2)B+TD		0.057	N/A	5599011
	22,800	13.00	11.00	AH30F(1,2)B+TD		0.057	N/A	5599015
	22,800	14.00	12.00	AH36G(1,2)B	95AF2UH045BV12	0.057	N/A	5599017
	22,800	14.00	12.00	AH36G(1,2)B	95AF2UH070BV12	0.057	N/A	5599018
	22,800	14.00	12.00	AH36G(1,2)B	95AF2UH090CV12	0.057	N/A	5599019
	22,800	13.00	11.00	AH36G(1,2)B+TD		0.057	N/A	5599016
	22,800	13.00	11.00	BCS3M24C****P		0.057	N/A	5559083

¹ AHRI Certified to Standard 210/240.

² Required for AHRI rating.

NOTES - All ratings include the use of a blower time delay. All BCS3 air handlers have time delay capabilities. If a coil is matched with a furnace the furnace may require an optional time delay relay for field installation. See furnace or air handler specifications to determine if relay is needed.

NOTES - A* = All AU (uncased) and AC (cased) Aire-Flo coils.

+TD = Time Delay required.

****P = Piston equipped models.

Air Conditioners

4AC13

Cooling Performance (All Regions)

Outdoor Unit Model No.	1 Rated Air Capacity	SEER	EER	Indoor Unit Model No.	Furnace Model No.	Indoor Metering Device		AHRI Reference No.
						2 Indoor Orifice (Required)	Field Installed TXV (Optional)	
4AC13L30P-7, 8	28,000	13.00	11.00	A*30F(1,2)*+TD		0.063	37L51	5599020
	28,000	14.00	11.50	A*36G(1,2)*	95AF2DF045BV12	0.063	37L51	5599024
	28,000	14.00	11.50	A*36G(1,2)*	95AF2DF070BV16	0.063	37L51	5599025
	28,000	13.00	11.00	A*36G(1,2)*	95AF2DF090CV20	0.063	37L51	5599026
	28,000	13.00	11.00	A*36G(1,2)*	95AF2DF110CV20	0.063	37L51	5599027
	28,000	14.00	11.50	A*36G(1,2)*	95AF2UH045BV12	0.063	37L51	5599028
	28,000	14.00	11.50	A*36G(1,2)*	95AF2UH070BV12	0.063	37L51	5599029
	28,000	13.00	11.00	A*36G(1,2)*	95AF2UH090CV12	0.063	37L51	5599030
	28,000	13.00	11.00	A*36G(1,2)*+TD		0.063	37L51	5599021
	28,000	13.00	11.00	AH30F(1,2)B+TD		0.063	37L51	5599022
	28,000	14.00	11.50	AH36G(1,2)B	95AF2UH045BV12	0.063	37L51	5599031
	28,000	14.00	11.50	AH36G(1,2)B	95AF2UH070BV12	0.063	37L51	5599032
	28,000	13.00	11.00	AH36G(1,2)B	95AF2UH090CV12	0.063	37L51	5599033
	28,000	13.00	11.00	AH36G(1,2)B+TD		0.063	37L51	5599023
	28,000	13.00	11.00	BCS3M30C****P		0.063	37L51	5559084
	4AC13L36P-7, 8	33,200	13.00	10.50	A*36G(1,2)*	95AF2DF090CV20	0.072	39L72
33,200		13.00	10.50	A*36G(1,2)*	95AF2DF110CV20	0.072	39L72	5599038
33,200		13.00	10.50	A*36G(1,2)*	95AF2UH090CV12	0.072	39L72	5599039
33,200		13.00	10.50	A*36G(1,2)*	95AF2UH110CV20	0.072	39L72	5599040
33,200		13.00	10.50	A*36G(1,2)*+TD		0.072	39L72	5599034
34,000		13.00	11.00	A*42A(1,2)*	95AF2DF090CV20	0.072	39L72	5599041
34,000		13.00	11.00	A*42A(1,2)*	95AF2DF110CV20	0.072	39L72	5599042
34,000		13.00	11.00	A*42A(1,2)*	95AF2UH090CV12	0.072	39L72	5599043
34,000		13.00	11.00	A*42A(1,2)*	95AF2UH110CV20	0.072	39L72	5599044
34,000		13.00	11.00	A*42A(1,2)*+TD		0.072	39L72	5599035
33,200		13.00	10.50	AH36G(1,2)B	95AF2UH090CV12	0.072	39L72	5599045
33,200		13.00	10.50	AH36G(1,2)B	95AF2UH110CV20	0.072	39L72	5599046
33,200		13.00	10.50	AH36G(1,2)B+TD		0.072	39L72	5599036
34,000		13.00	10.50	BCS3M36C****P		0.072	39L72	5559085
4AC13L42P-7, 8	40,000	13.00	11.00	A*48D(1,2)*	95AF2UH110CV20	0.075	91M02	5599049
	40,000	13.00	11.00	A*48D(1,2)*+TD		0.075	91M02	5599047
	40,000	13.00	11.00	AH48C(1,2)C	95AF2UH110CV20	0.075	91M02	5599050
	40,000	13.00	11.00	AH48C(1,2)C+TD		0.075	91M02	5599048
	40,000	13.00	11.00	BCS3M42C****P		0.075	91M02	5559089
4AC13L48P-7, 8	46,500	13.00	11.00	A*48D(1,2)*+TD		0.082	91M02	5599051
	46,500	13.00	11.00	AH48C(1,2)C+TD		0.082	91M02	5599052
	47,000	13.00	11.00	BCS3M48C****P		0.082	91M02	5559090
4AC13L60P-7, 8	57,000	13.00	11.00	A*60G(1,2)*+TD		0.090	91M02	5599053
	57,000	13.00	11.00	AH60D(1,2)C+TD		0.090	91M02	5599054
	57,000	13.00	11.00	AH60D(1,2)D+TD		0.090	91M02	5599055
	56,000	13.00	11.00	BCS3M60C****P		0.090	91M02	5559091

¹ AHRI Certified to Standard 210/240.

² Required for AHRI rating.

NOTES - All ratings include the use of a blower time delay. All BCS3 air handlers have time delay capabilities. If a coil is matched with a furnace the furnace may require an optional time delay relay for field installation. See furnace or air handler specifications to determine if relay is needed.

NOTES - A* = All AU (uncased) and AC (cased) Aire-Flo coils.

+TD = Time Delay required.

****P = Piston equipped models.

Air Conditioners

4AC13

Cooling Performance (North Region)

Outdoor Unit Model No.	¹ Rated Air Capacity	SEER	EER	Indoor Unit Model No.	Furnace Model No.	Indoor Metering Device		AHRI Reference No.
						² Indoor Orifice (Required)	Field Installed TXV (Optional)	
4AC13N18P-7, 8	18,600	13.00	11.00	BCS3M18C****P		0.053	N/A	7786598
4AC13N24P-7, 8	23,600	13.00	11.00	BCS3M24C****P		0.057	N/A	7786603
	23,800	13.00	11.00	BCS3M30C****P		0.063	37L51	7786604
4AC13N30P-7, 8	28,800	13.00	11.00	BCS3M30C****P		0.063	37L51	7786608
	29,200	13.50	11.50	BCS3M36C****P		0.072	39L72	7786609
4AC13N36P-7, 8	35,200	13.00	11.00	BCS3M42C****P		0.075	91M02	7786613
4AC13N42P-7, 8	41,500	13.00	11.00	BCS3M42C****P		0.075	91M02	7786616
4AC13N48P-7, 8	49,500	13.00	11.00	BCS3M48C****P		0.082	91M02	7786618
4AC13N60P-7, 8	58,500	13.00	11.00	BCS3M60C****P		0.090	91M02	7786620

¹ AHRI Certified to Standard 210/240.

² Required for AHRI rating.

NOTES - All ratings include the use of a blower time delay. All BCS3 air handlers have time delay capabilities. If a coil is matched with a furnace the furnace may require an optional time delay relay for field installation. See furnace or air handler specifications to determine if relay is needed.

NOTES - A* = All AU (uncased) and AC (cased) Aire-Flo coils.

+TD = Time Delay required.

****P = Piston equipped models.

Air Conditioners

4AC13

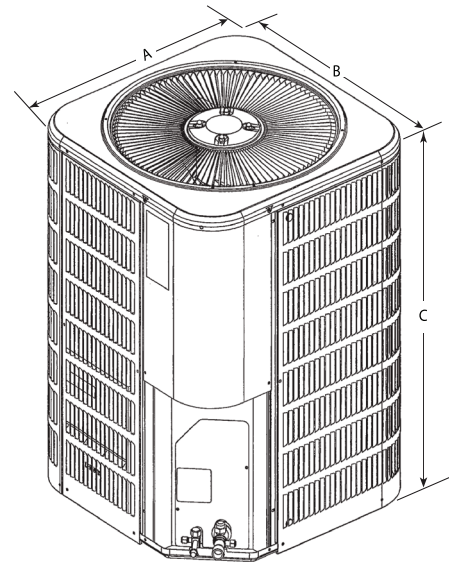
Sound Ratings

Model	Sound Rating dBA
18	74
24	74
30	74
36	74
42	79
48	79
60	80

Dimensions

Model	18	24	30	36
Cabinet Width (A) in	24-1/4"	24-1/4"	24-1/4"	24-1/4"
Cabinet Depth (B) in	24-1/4"	24-1/4"	24-1/4"	24-1/4"
Height (C) in	25-1/4"	25-1/4"	29-1/4"	29-1/4"

Model	42	48	60
Cabinet Width (A) in	28-1/4"	28-1/4"	28-1/4"
Cabinet Depth (B) in	28-1/4"	28-1/4"	28-1/4"
Height (C) in	29-1/4"	33-1/4"	29-1/4"



Air Conditioners

4AC13

Revisions

Sections	Description of Change
Dimensions	Updated.



1.800.982.2333
www.aireflo-hvac.com

