



Air Conditioners 4AC13N

PRODUCT SPECIFICATIONS

- R-410A Refrigerant
- High-quality condenser coil with copper tubing and enhanced louvered fin for maximum heat transfer capacity
- Top discharge directs hot air away from living area and shrubbery
- All units factory run tested
- Louvered cabinet protects coil from fin damage
- Easy access to electrical panel
- Corner mounted service valves for easy hook-up and service
- Liquid line filter drier furnished for field installation
- Charged for 15 feet of interconnecting tubing
- AHRI Certified and ETL listed
- Region specific models meet the minimum efficiency requirements for U.S. DOE Federal Regional Standards in that area.

13 SEER
1.5 to 5 Tons



Warranty

Compressor - 5 Year Limited
Parts - 5 Year Limited

Air Conditioners

4AC13N

Cooling Performance (North Region)

Outdoor Unit Model No.	1 Rated Air Capacity	SEER	EER	Indoor Unit Model No.	Furnace Model No.	Indoor Metering Device		AHRI Reference No.
						2 Indoor Orifice (Required)	2 Field Installed TXV (Optional)	
4AC13N18P-9A	18500	13.00	11.00	A*30F(1,2)*+TXV+TD		0.051	12J18	10262387
4AC13N18P-9A	18500	13.00	11.00	A*36G(1,2)*+TXV+TD		0.051	12J18	10262388
4AC13N18P-9A	18500	13.00	11.00	A*36J(1,2)*+TXV+TD		0.051	12J18	10262443
4AC13N24P-9A	22600	13.00	10.50	A*24E(1,2)*+TXV+TD		0.057	12J18	9060529
4AC13N24P-9A	22600	13.00	10.50	A*30F(1,2)*+TXV+TD		0.057	12J18	10262389
4AC13N24P-9A	22600	13.00	10.50	A*36G(1,2)*+TXV+TD		0.057	12J18	10262390
4AC13N24P-9A	22600	13.00	11.00	A*36J(1,2)*+TXV+TD		0.057	12J18	10262444
4AC13N30P-7, 8	28200	13.00	11.00	A*30F(1,2)*+TXV+TD		0.065	12J18	10262398
4AC13N30P-7, 8	28200	13.00	11.00	A*36G(1,2)*+TXV+TD		0.065	12J18	10262399
4AC13N30P-7, 8	28200	13.00	11.00	A*36J(1,2)*+TXV+TD		0.065	12J18	10262445
4AC13N30P-7, 8	28800	13.00	11.00	BCS3M30C****P		0.065	12J18	7786608
4AC13N30P-7, 8	29200	13.50	11.50	BCS3M36C****P		0.065	12J18	7786609
4AC13N30P-7, 8	28200	13.00	11.00	C33-30*+TDR		0.065	12J18	7786605
4AC13N30P-7, 8	28600	14.00	11.50	C33-30B+TDR+TXV	95AF2UH045V12B	0.065	12J18	8693484
4AC13N30P-7, 8	28600	14.00	12.00	C33-30B+TDR+TXV	95AF2UH070V12B	0.065	12J18	8693485
4AC13N30P-7, 8	28200	13.00	11.00	CX34-30+TDR		N/A	Factory	8592478
4AC13N36P-7, 8	35000	13.00	10.50	A*36J(1,2)*+TXV+TD		0.072	12J19	10262446
4AC13N36P-7, 8	35200	13.00	11.00	BCS3M42C****P		0.072	12J19	7786613
4AC13N36P-7, 8	35000	13.00	10.70	C33-38*+TDR		0.072	12J19	7984315
4AC13N36P-7, 8	35000	13.00	10.70	CX34-38+TDR		N/A	Factory	7786610
4AC13N36P-7, 8	35200	14.00	11.00	CX34-38B+TDR	95AF2UH045V12B	N/A	Factory	8693486
4AC13N36P-7, 8	35400	14.00	11.00	CX34-38B+TDR	95AF2UH070V12B	N/A	Factory	8693487
4AC13N42P-7, 8	41000	13.00	10.50	A*42A(1,2)*+TXV+TD		0.076	12J20	10262391
4AC13N42P-7, 8	41500	13.00	11.00	A*48B(1,2)*+TD		0.076	12J20	10262393
4AC13N42P-7, 8	41500	13.00	11.00	A*48B(1,2)*+TXV+TD		0.076	12J20	10262392
4AC13N42P-7, 8	41500	13.00	11.00	A*48D(1,2)*+TD		0.076	12J20	10262395
4AC13N42P-7, 8	41500	13.00	11.00	A*48D(1,2)*+TXV+TD		0.076	12J20	10262394
4AC13N42P-7, 8	41500	13.00	11.00	A*60G(1,2)*+TD		0.076	12J20	10262397
4AC13N42P-7, 8	41500	13.00	11.00	A*60G(1,2)*+TXV+TD		0.076	12J20	10262396
4AC13N42P-7, 8	41500	13.00	11.00	BCS3M42C****P		0.076	12J20	7786616
4AC13N42P-7, 8	41500	13.00	11.00	C33-43*+TDR		0.076	12J20	7786614
4AC13N42P-7, 8	42000	14.00	11.50	C33-43+TDR+TXV	95AF2UH110V20C	0.076	12J20	8693488
4AC13N48P-7, 8	48500	13.00	11.00	A*48D(1,2)*+TD		0.082	12J20	7992948

¹ AHRI Certified to Standard 210/240.

² Required for AHRI rating (dependent on indoor unit description).

NOTES - All ratings include the use of a blower time delay. All BCS3 air handlers have time delay capabilities. If a coil is matched with a furnace, the furnace may require an optional time delay relay (58M81) for field installation. See furnace or air handler specifications to determine if relay is needed.

NOTES - +TD or +TDR = Time Delay Relay required.

+TXV = TXV required.

****P = Piston equipped models.

Air Conditioners

4AC13N

Cooling Performance (North Region)

Outdoor Unit Model No.	1 Rated Air Capacity	SEER	EER	Indoor Unit Model No.	Furnace Model No.	Indoor Metering Device		AHRI Reference No.
						2 Indoor Orifice (Required)	2 Field Installed TXV (Optional)	
4AC13N48P-7, 8	48500	13.00	11.00	A*48D(1,2)*+TXV+TD		0.082	12J20	10262400
4AC13N48P-7, 8	49000	13.00	11.00	A*60G(1,2)*+TXV+TD		0.082	12J20	10262401
4AC13N48P-7, 8	48500	13.00	11.00	AH48C(1,2)C+TD		0.082	12J20	7992949
4AC13N48P-7, 8	49500	13.00	11.00	BCS3M48C****P		0.082	12J20	7786618
4AC13N48P-7, 8	48500	13.00	11.00	C33-43*+TDR		0.082	12J20	7984316
4AC13N48P-7, 8	49000	13.00	11.00	CX34-49+TDR		N/A	Factory	7786617
4AC13N60P-7, 8	57500	13.00	11.00	A*60G(1,2)*+TD		0.090	12J20	7992950
4AC13N60P-7, 8	57500	13.00	11.00	A*60G(1,2)*+TXV+TD		0.090	12J20	10262402
4AC13N60P-7, 8	57500	13.00	11.00	AH60D(1,2)C+TD		0.090	12J20	7992951
4AC13N60P-7, 8	57500	13.00	11.00	AH60D(1,2)D+TD		0.090	12J20	7992952
4AC13N60P-7, 8	58500	13.00	11.00	BCS3M60C****P		0.090	12J20	7786620
4AC13N60P-7, 8	57500	13.00	11.00	C33-49+TDR		0.090	12J20	7984317
4AC13N60P-7, 8	57500	13.00	11.00	CX34-49+TDR		N/A	Factory	7786619

¹ AHRI Certified to Standard 210/240.

² Required for AHRI rating (dependent on indoor unit description).

NOTES - All ratings include the use of a blower time delay. All BCS3 air handlers have time delay capabilities. If a coil is matched with a furnace, the furnace may require an optional time delay relay (58M81) for field installation. See furnace or air handler specifications to determine if relay is needed.

NOTES - +TD or +TDR = Time Delay Relay required.

+TXV = TXV required.

****P = Piston equipped models.

Air Conditioners

4AC13N

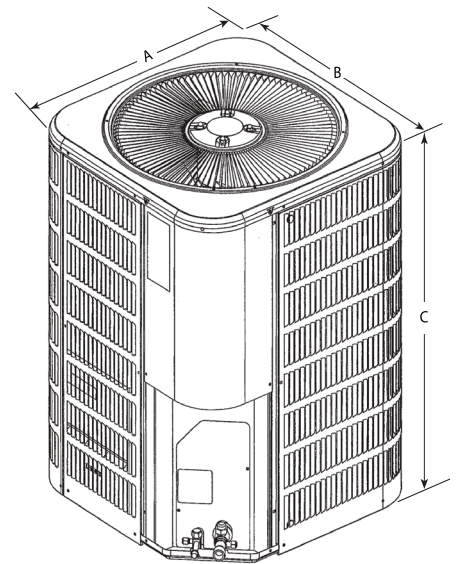
Sound Ratings

Model	Sound Rating dBA
18	76
24	76
30	76
36	76
42	79
48	79
60	79

Dimensions

Model	18	24	30	36
Cabinet Width (A) in	24-1/4"	24-1/4"	24-1/4"	24-1/4"
Cabinet Depth (B) in	24-1/4"	24-1/4"	24-1/4"	24-1/4"
Height (C) in	25-1/4"	25-1/4"	29-1/4"	29-1/4"

Model	42	48	60
Cabinet Width (A) in	28-1/4"	28-1/4"	28-1/4"
Cabinet Depth (B) in	28-1/4"	28-1/4"	28-1/4"
Height (C) in	29-1/4"	33-1/4"	29-1/4"



Air Conditioners

4AC13N

Revisions

Sections	Description of Change
Cooling Performance (North Region)	Updated.
Electrical Data / Specifications	Refrigerant charge updated for 18-24 models.



1.800.982.2333
www.aireflo-hvac.com



210777 4AC13N (8/17) © Aire-Flo Heating and Cooling, 2017