



Air Conditioners 4AC14L (Copper)

PRODUCT SPECIFICATIONS

- R-410A Refrigerant
- Scroll compressor with internal pressure relief valves and inherent thermal protection
- High-quality condenser coil with copper tubing and enhanced louvered fin for maximum heat transfer capacity
- Top discharge directs hot air away from living area and shrubbery
- All units factory run tested
- Louvered cabinet protects coil from fin damage
- Heavy gauge zinc-coated steel base
- Easy access to electrical panels, prewired for easy hook-up to internal components
- Hinged control panel allows easy access for testing internal components
- 45-degree service valves for easy hook-up and service
- Liquid line filter drier furnished for field installation
- Charged for 15 feet of interconnecting tubing
- AHRI Certified and ETL listed
- Region specific models meet the minimum efficiency requirements for U.S DOE Federal Regional Standards in that area.

14 SEER
1.5 to 5 Tons



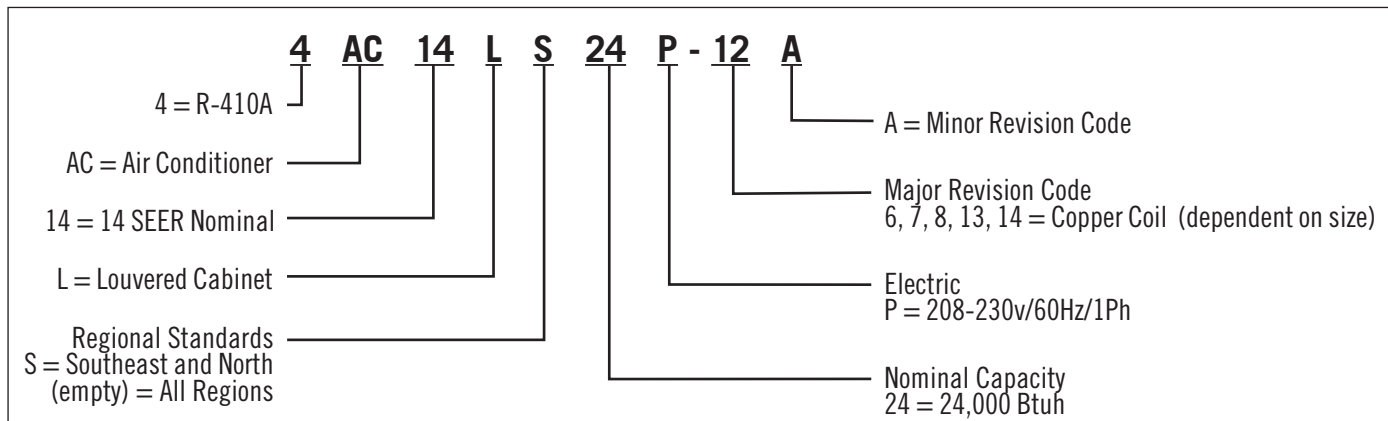
Warranty

Compressor - 5 Year Limited
Parts - 5 Year Limited

Air Conditioners

4AC14L (Copper)

Model Number Identification



Electrical Data / Specifications

Model No.	All Regions	---	---	---	---	---	4AC14L48P	4AC14L60P
	Southeast and North Regions	4AC14LS18P	4AC14LS24P	4AC14LS30P	4AC14LS36P	4AC14LS42P	---	---
Rated Voltage (Volts)	208-230	208-230	208-230	208-230	208-230	208-230	208-230	208-230
Phase	1	1	1	1	1	1	1	1
Frequency (Hz.)	60	60	60	60	60	60	60	60
Voltage Range	197-253	197-253	197-253	197-253	197-253	197-253	197-253	197-253
Maximum Overcurrent Protection	15	20	25	30	40	45	60	60
Minimum Circuit Ampacity	9.4	12.5	15.8	18.7	24.1	27.9	34.8	34.8
Compressor - Rated Load Amps	6.9	9.2	11.9	14.1	17.9	19.8	26.4	26.4
Compressor - Locked Rotor Amps	33	43	52	77	112	109	134	134
Fan Motor - Rated Load Amps	0.7	1.0	1.0	1.0	1.7	1.7	1.8	1.8
Fan Motor - HP	1/10	1/6	1/6	1/6	1/4	1/4	1/3	1/3
Fan Motor - Nominal RPM	1075	825	825	825	825	825	825	825
Refrigerant Charge (oz.)*	120	112	134	107	138	174	192	192
Liquid Line Set	3/8	3/8	3/8	3/8	3/8	3/8	3/8	3/8
Vapor Line Set	3/4	3/4	3/4	7/8	7/8	7/8	1-1/8	1-1/8
Weight (lbs)	148	161	172	177	208	220	253	253

* Factory charged for 15 feet of line set. Adjust per Installation Instructions.

Accessories

Model	18	24	30	36	42	48	60
Blower Off Delay Kit	58M81	58M81	58M81	58M81	58M81	58M81	58M81
Crankcase Heater	93M04	93M04	93M04	93M04	93M04	93M04	Factory
Compressor Low Ambient Cut-Off	45F08	45F08	45F08	45F08	45F08	45F08	45F08
Compressor Sound Cover	14W00	14W00	14W00	14W00	14W01	14W01	14W01
Hard Start Kit (LG)	88M91	88M91	88M91	88M91	88M91	88M91	88M91
Hard Start Kit (Copeland)	---	---	---	10J42	10J42	---	10J42
Freezestat - 3/8"	93G35	93G35	93G35	93G35	93G35	93G35	93G35
*Liquid Line Solenoid Valve Kit	17A09	17A09	17A09	---	---	---	---
Loss of Charge Kit	84M23	84M23	84M23	84M23	84M23	84M23	84M23
Low Ambient Kit	34M72	34M72	34M72	34M72	34M72	34M72	34M72
Short Cycle Protection	47J27	47J27	47J27	47J27	47J27	47J27	47J27

* Required for systems with indoor orifice matches.

Air Conditioners 4AC14L (Copper)

Cooling Performance

Outdoor Unit Model No.	¹ Rated Air Capacity	SEER	EER	Indoor Unit Model No.	Furnace Model No.	Indoor Metering Device		AHRI Reference No.	Region
						² Indoor Orifice	Field Installed TXV (Optional)		
4AC14L48P-13A,14A	48000	14.25	12	CX38-62C-**-**+TDR		N/A	Factory	201785001	All
4AC14L60P-6A,7A,8A	58000	14	11.7	BCS3M60C****P+TXV		0.083	12J20	9968549	All
4AC14L60P-11A	59000	14.2	12	CX38-62C-**-**+TDR		N/A	Factory	201785002	All
4AC14LS18P-6A,7A	18700	14.25	12	BCS3M18C****P+TXV		0.057	12J18	9968504	Southeast and North
4AC14LS18P-6A,7A	18800	14.25	12	BCS3M24C****P+TXV		0.053	12J18	9968505	Southeast and North
4AC14LS18P-8A	19200	14.25	12.2	CX38-25B-**-**+TDR		N/A	Factory	201784996	Southeast and North
4AC14LS24P-6A,7A	23800	16	13	A*30F(1,2)*+TXV	95AF2UH070V12B	0.057	12J18	10055392	Southeast and North
4AC14LS24P-6A,7A	23600	15	12.5	A*30F(1,2)*+TXV	95AF2UH090V12C	0.057	12J18	10338913	Southeast and North
4AC14LS24P-6A,7A	23600	14.5	12.2	BCS3M24C****P+TXV		0.057	12J18	9968515	Southeast and North
4AC14LS24P-6A,7A	23800	14.5	12.2	BCS3M30C****P+TXV		0.057	12J18	9968516	Southeast and North
4AC14LS24P-13A,14A	23800	14.25	12.2	CX38-25B-**-**+TDR		N/A	Factory	201784997	Southeast and North
4AC14LS30P-6A,7A,8A	26800	15	12.5	A*36G(1,2)*+TXV	95AF2UH090V12C	0.065	12J19	10338912	Southeast and North
4AC14LS30P-6A,7A,8A	27800	14	12	BCS3M30C****P+TXV		0.065	12J19	9968526	Southeast and North
4AC14LS30P-6A,7A,8A	28000	14.5	12.2	BCS3M36C****P+TXV		0.065	12J19	9968527	Southeast and North
4AC14LS30P-8A,13A	28000	14.25	12.2	CX38-31B-**-**+TDR		N/A	Factory	201784998	Southeast and North
4AC14LS36P-6A,7A,8A	33400	14	12	A*36G(1,2)*+TXV+TD		0.071	12J19	10274316	Southeast and North
4AC14LS36P-6A,7A,8A	34200	14.5	12.2	BCS3M36C****P+TXV		0.071	12J19	9968649	Southeast and North
4AC14LS36P-6A,7A,8A	34600	15	12.5	BCS3M42C****P+TXV		0.071	12J19	9968650	Southeast and North
4AC14LS36P-8A,9A	34200	14.25	12.2	CX38-38A-**-**+TDR		N/A	Factory	201784999	Southeast and North
4AC14LS42P-6A,7A,8A	41500	14	12.2	BCS3M42C****P+TXV		0.083	12J20	9968539	Southeast and North
4AC14LS42P-6A,7A,8A	42000	14.5	12.5	BCS3M48C****P+TXV		0.083	12J20	9968540	Southeast and North
4AC14LS42P-8A,9A	41500	14.25	12.2	CX38-49C-**-**+TDR		N/A	Factory	201785000	Southeast and North

¹ AHRI Certified to Standard 210/240.

² Required for AHRI rating (dependent on indoor unit description).

NOTES - All ratings include the use of a blower time delay. All BCS3 air handlers have time delay capabilities. If a coil is matched with a furnace, the furnace may require an optional time delay relay (58M81) for field installation. See furnace or air handler specifications to determine if relay is needed.

NOTES - +TDR= Time Delay Relay required.

****P-**-**+TXV = Piston equipped models with optional TXV

Air Conditioners

4AC14L (Copper)

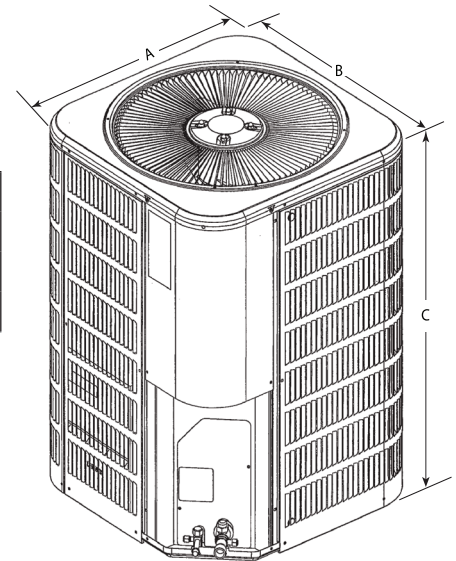
Sound Ratings

Model	Sound Rating dBA
18	76
24	76
30	76
36	76
42	78
48	78
60	80

Dimensions

Model	18	24	30	36
Cabinet Width (A) in.	24-1/4"	28-1/4"	28-1/4"	28-1/4"
Cabinet Depth (B) in.	24-1/4"	28-1/4"	28-1/4"	28-1/4"
Height (C) in.	29-1/4"	29-1/4"	37-1/4"	37-1/4"

Model	42	48	60
Cabinet Width (A) in.	28-1/4"	28-1/4"	32-1/4"
Cabinet Depth (B) in.	28-1/4"	28-1/4"	32-1/4"
Height (C) in.	33-1/4"	37-1/4"	33-1/4"



Revisions

Sections	Description of Change
Cooling Performance	Updated.



1.800.982.2333
www.aireflo-hvac.com

