



# Air Handlers RBC

## TECHNICAL SPECIFICATIONS

- Minimum efficiency of 13 SEER when matched with appropriate outdoor models
- Available with factory installed thermal expansion valve
- Suitable for use with R-22 and R-410A refrigerants
- Up-Flow and Horizontal (Counter-Flow with optional kit)
- Pre-painted cabinets with foil faced insulation
- Electrical connections from top or right side of unit
- Microban® anti-microbial additive for drain pans resists mold and mildew growth which improves indoor air quality and reduces drain line blockage.
- Drain pans are also UV and heat resistant for corrosion protection
- Filter racks pre-installed
- Transformer and blower relay
- Indoor blower time delay for increased efficiency
- External access to electric heat circuit breaker (if equipped)
- Optional electric heat available from 2.5kW to 20kW ranges

**13 SEER**  
**1.5 to 5 Tons**

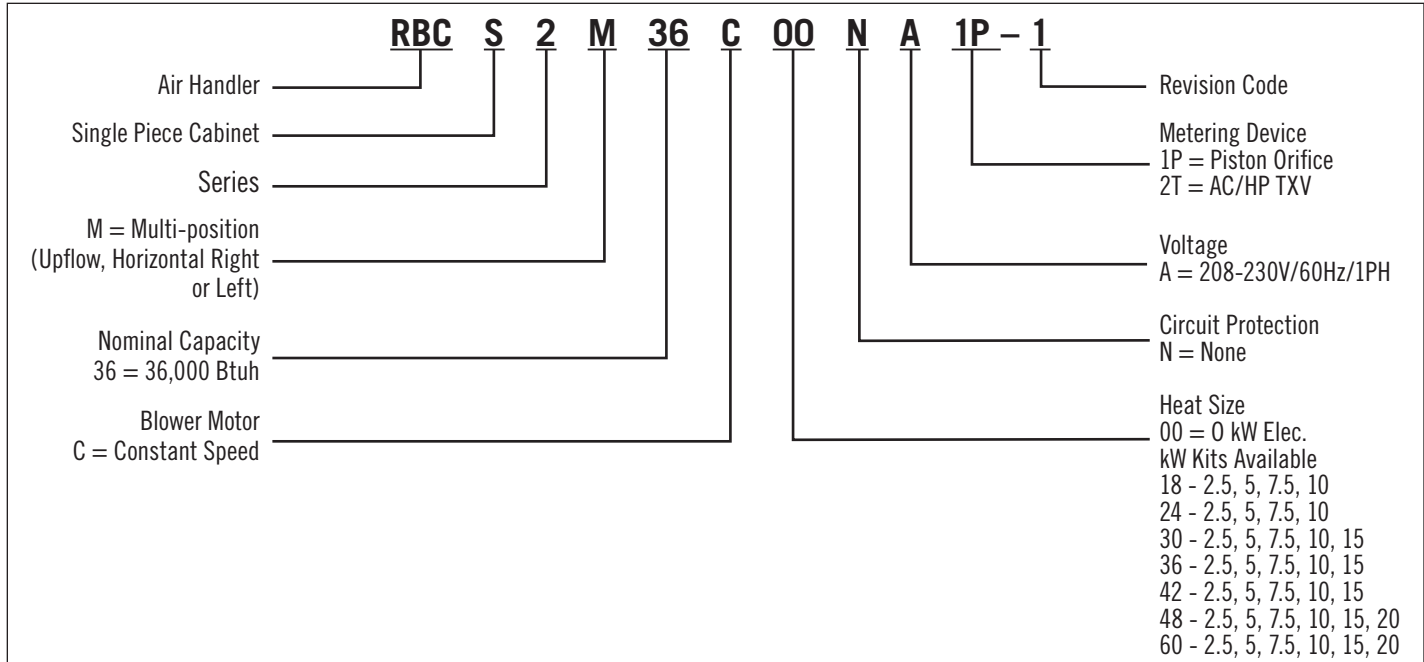


**Warranty**  
Parts - 5 Year Limited

# Air Handlers

## RBC

### Model Number Identification



### Specifications

| Model No. | Volts/Hz/Phase | Max.Elec. Heat Available (kW) | Transformer Size & Type | Filter Size (in.) | Refrigerant Connection (IDS) |              | Florator Piston Size | Weight (lbs.) |
|-----------|----------------|-------------------------------|-------------------------|-------------------|------------------------------|--------------|----------------------|---------------|
|           |                |                               |                         |                   | Suction (in.)                | Liquid (in.) |                      |               |
| RBCS2M18  | 208-230/60/1   | 10                            | 40 VA, Class 2          | (1) 16 x 20       | 3/4                          | 3/8          | 53                   | 129           |
| RBCS2M24  | 208-230/60/1   | 10                            | 40 VA, Class 2          | (1) 16 x 20       | 3/4                          | 3/8          | 59                   | 131           |
| RBCS2M30  | 208-230/60/1   | 15                            | 40 VA, Class 2          | (1) 18 x 20       | 7/8                          | 3/8          | 67                   | 148           |
| RBCS2M36  | 208-230/60/1   | 15                            | 40 VA, Class 2          | (1) 18 x 20       | 7/8                          | 3/8          | 73                   | 148           |
| RBCS2M42  | 208-230/60/1   | 15                            | 40 VA, Class 2          | (1) 18 x 25       | 7/8                          | 3/8          | 80                   | 172           |
| RBCS2M48  | 208-230/60/1   | 20                            | 40 VA, Class 2          | (1) 18 x 25       | 7/8                          | 3/8          | 84                   | 177           |
| RBCS2M60  | 208-230/60/1   | 20                            | 40 VA, Class 2          | (1) 18 x 25       | 7/8                          | 3/8          | 93                   | 190           |

### Accessories

| Description                   | Catalog No. | Usage      |
|-------------------------------|-------------|------------|
| Counter-Flow Kit              | 12W61       | All models |
| Single Point Power Source Kit | 21H39       | All models |

### Electric Heat Kits

| Model Number   | Description                  | Catalog Number | Used On                          |
|----------------|------------------------------|----------------|----------------------------------|
| ECB26-2.5-P    | 2.5 kW with Terminal Block   | 19W05          | RBC2* 18, 24, 30, 36, 42, 48, 60 |
| ECB26-5-P      | 5 kW with Terminal Block     | 99M64          | RBC2* 18, 24, 30, 36, 42, 48, 60 |
| ECB26-5CB-P    | 5 kW with Circuit Breaker    | 99M65          | RBC2* 18, 24, 30, 36, 42, 48, 60 |
| ECB26-7CB-P    | 7.5 kW with Circuit Breaker  | 99M66          | RBC2* 18, 24, 30, 36, 42, 48, 60 |
| ECB26-7-P      | 7.5 kW with Terminal Block   | 99M67          | RBC2* 18, 24, 30, 36, 42, 48, 60 |
| ECB26-10-P     | 10 kW with Terminal Block    | 99M68          | RBC2* 18, 24, 30, 36, 42, 48, 60 |
| ECB26-10CB-P   | 10 kW with Circuit Breaker   | 99M69          | RBC2* 18, 24, 30, 36, 42, 48, 60 |
| ECB26-12.5CB-P | 12.5 kW with Circuit Breaker | 99W00          | RBC2* 30, 36, 42, 48, 60         |
| ECB26-15CB-P   | 15 kW with Circuit Breaker   | 99M70          | RBC2* 30, 36, 42, 48, 60         |
| ECB26-20CB-P   | 20 kW with Circuit Breaker   | 99M71          | RBC2* 30, 36, 42, 48, 60         |

# Air Handlers RBC

## Blower Data

| Model    | Motor Size (hp) | Blower Size (in.) | CFM vs. External Static Pressure (in. w.c.) |      |      |      |      |      |
|----------|-----------------|-------------------|---|------|------|------|------|------|
|          |                 |                   | Speed                                       | .10  | .20  | .30  | .40  | .50  |
| RBCS2M18 | 1/4             | 10 x 6            | <sup>1</sup> Low (Red)                      | 720  | 700  | 660  | 610  | 520  |
|          |                 |                   | Med (Blue)                                  | 1000 | 930  | 840  | 710  | 630  |
|          |                 |                   | High (Black)                                | 1040 | 960  | 870  | 780  | 660  |
| RBCS2M24 | 1/4             | 10 x 6            | Low (Red)                                   | 720  | 700  | 660  | 610  | 520  |
|          |                 |                   | <sup>1</sup> Med (Blue)                     | 1000 | 930  | 840  | 710  | 630  |
|          |                 |                   | High (Black)                                | 1040 | 960  | 870  | 780  | 660  |
| RBCS2M30 | 1/4             | 10 x 6            | Low (Red)                                   | 930  | 920  | 890  | 840  | 740  |
|          |                 |                   | <sup>1</sup> Med (Blue)                     | 1060 | 1040 | 1010 | 950  | 840  |
|          |                 |                   | High (Black)                                | 1290 | 1270 | 1210 | 1150 | 1040 |
| RBCS2M36 | 1/3             | 11 x 8            | <sup>1</sup> Low (Red)                      | 1140 | 1120 | 1110 | 1080 | 1000 |
|          |                 |                   | Med (Blue)                                  | 1350 | 1350 | 1320 | 1260 | 1090 |
|          |                 |                   | High (Black)                                | 1490 | 1470 | 1420 | 1340 | 1250 |
| RBCS2M42 | 1/2             | 11 x 8            | Low (Red)                                   | 1200 | 1190 | 1160 | 1120 | 1000 |
|          |                 |                   | <sup>1</sup> Med (Blue)                     | 1400 | 1410 | 1390 | 1300 | 1190 |
|          |                 |                   | High (Black)                                | 1540 | 1530 | 1510 | 1390 | 1250 |
| RBCS2M48 | 1/2             | 11 x 8            | Low (Red)                                   | 1590 | 1580 | 1530 | 1440 | 1320 |
|          |                 |                   | <sup>1</sup> Med (Blue)                     | 1760 | 1710 | 1640 | 1540 | 1400 |
|          |                 |                   | High (Black)                                | 1890 | 1820 | 1740 | 1610 | 1450 |
| RBCS2M60 | 1/2             | 11-1/2 x 8        | Low (Red)                                   | 1780 | 1750 | 1670 | 1550 | 1390 |
|          |                 |                   | <sup>1</sup> Med (Blue)                     | 2070 | 1960 | 1860 | 1710 | 1480 |
|          |                 |                   | High (Black)                                | 2110 | 2070 | 1950 | 1770 | 1590 |

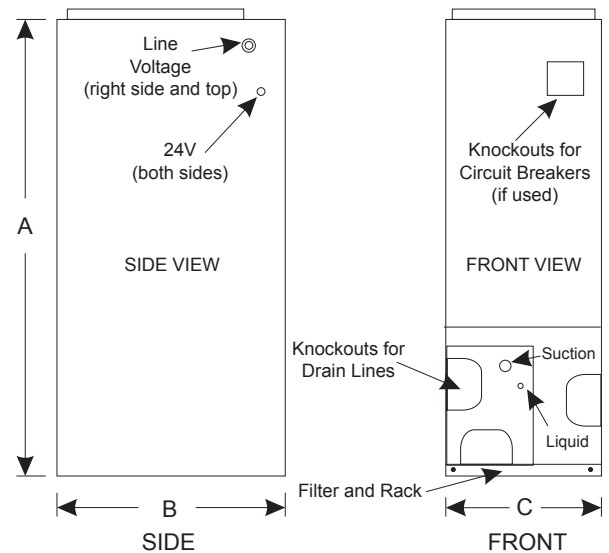
<sup>1</sup> Factory setting - All models.

NOTE - Air data measured with wet coil and filter installed.

NOTE - Cooling speeds should not be reduced below factory setting. Different speeds can be used for heating.

## Dimensions (in.)

| Model No.            | A      | B  | C      | Supply Duct Opening |        | Return Duct Opening |        |
|----------------------|--------|----|--------|---------------------|--------|---------------------|--------|
|                      |        |    |        | Depth               | Width  | Depth               | Width  |
| RBCS2M18<br>RBCS2M24 | 46-3/4 | 22 | 18-1/2 | 17                  | 16-1/2 | 20-1/4              | 16     |
| RBCS2M30<br>RBCS2M36 | 51     | 22 | 21-1/4 | 17                  | 19-1/4 | 20-1/4              | 18-3/4 |
| RBCS2M42<br>RBCS2M48 | 54     | 26 | 21-1/4 | 21                  | 19-1/4 | 24-1/4              | 18-3/4 |
| RBCS2M60             | 60     | 26 | 21-1/4 | 21                  | 19-1/4 | 24-1/4              | 18-3/4 |



# Air Handlers

## RBC

### Electrical / Electric Heat Data

| Air Handler Size  | Elec. Heating Capacity |                   | Blower Amps |      | 2, 3 Total Amps Per Circuit |      |      |      | Total Unit Amps |      | Circuit Breaker Amps Per Stage |     |
|-------------------|------------------------|-------------------|-------------|------|-----------------------------|------|------|------|-----------------|------|--------------------------------|-----|
|                   | kW                     | BTUH              |             |      | 208v                        |      | 240v |      |                 |      |                                |     |
|                   | <sup>1</sup> 240v      | <sup>1</sup> 240v | 208v        | 240v | 1                           | 2    | 1    | 2    | 208v            | 240v | 1                              | 2   |
| 18 & 24 (No Heat) | 0                      | 0                 | 1.5         | 1.4  | ---                         | ---  | ---  | ---  | 1.5             | 1.4  | 15                             | --- |
| 18 & 24           | 2.5                    | 8,500             | 1.5         | 1.4  | 10.5                        | ---  | 11.8 | ---  | 10.5            | 11.8 | 15                             | --- |
| 18 & 24           | 5                      | 17,100            | 1.5         | 1.4  | 19.5                        | ---  | 22.2 | ---  | 19.5            | 22.2 | 30                             | --- |
| 18 & 24           | 7.5                    | 25,600            | 1.5         | 1.4  | 28.6                        | ---  | 32.7 | ---  | 28.6            | 32.7 | 45                             | --- |
| 18 & 24           | 10                     | 34,100            | 1.5         | 1.5  | 37.6                        | ---  | 43.1 | ---  | 37.6            | 43.1 | 60                             | --- |
| 30 (No Heat)      | 0                      | 0                 | 1.6         | 1.5  | ---                         | ---  | ---  | ---  | 1.6             | 1.5  | 15                             | --- |
| 30                | 2.5                    | 8,500             | 1.6         | 1.5  | 11.0                        | ---  | 12.4 | ---  | 11.0            | 12.4 | 15                             | --- |
| 30                | 5                      | 17,100            | 1.6         | 1.5  | 19.6                        | ---  | 22.3 | ---  | 19.6            | 22.3 | 30                             | --- |
| 30                | 7.5                    | 25,600            | 1.6         | 1.5  | 28.7                        | ---  | 32.8 | ---  | 28.7            | 32.8 | 45                             | --- |
| 30                | 10                     | 34,100            | 1.6         | 1.5  | 37.7                        | ---  | 43.2 | ---  | 37.7            | 43.2 | 60                             | --- |
| 30                | 15                     | 51,200            | 1.6         | 1.5  | 37.7                        | 18.1 | 43.2 | 20.8 | 55.7            | 64.0 | 60                             | 30  |
| 36 (No Heat)      | 0                      | 0                 | 1.8         | 1.7  | ---                         | ---  | ---  | ---  | 1.8             | 1.7  | 15                             | --- |
| 36                | 2.5                    | 8,500             | 1.8         | 1.7  | 11.0                        | ---  | 12.4 | ---  | 11.0            | 12.4 | 15                             | --- |
| 36                | 5                      | 17,100            | 1.8         | 1.7  | 19.8                        | ---  | 22.5 | ---  | 19.8            | 22.5 | 30                             | --- |
| 36                | 7.5                    | 25,600            | 1.8         | 1.7  | 28.9                        | ---  | 33.0 | ---  | 28.9            | 33.0 | 45                             | --- |
| 36                | 10                     | 34,100            | 1.8         | 1.7  | 37.9                        | ---  | 43.4 | ---  | 37.9            | 43.4 | 60                             | --- |
| 36                | 15                     | 51,200            | 1.8         | 1.7  | 37.9                        | 18.1 | 43.4 | 20.8 | 56.0            | 64.2 | 60                             | 30  |
| 42 (No Heat)      | 0                      | 0                 | 1.9         | 1.8  | ---                         | ---  | ---  | ---  | 1.9             | 1.8  | 15                             | --- |
| 42                | 2.5                    | 8,500             | 1.9         | 1.8  | 11.0                        | ---  | 12.4 | ---  | 11.0            | 12.4 | 15                             | --- |
| 42                | 5                      | 17,100            | 1.9         | 1.8  | 20.0                        | ---  | 22.6 | ---  | 20.0            | 22.6 | 30                             | --- |
| 42                | 7.5                    | 25,600            | 1.9         | 1.8  | 29.0                        | ---  | 33.1 | ---  | 29.0            | 33.1 | 45                             | --- |
| 42                | 10                     | 34,100            | 1.9         | 1.8  | 38.0                        | ---  | 43.5 | ---  | 38.0            | 43.5 | 60                             | --- |
| 42                | 15                     | 51,200            | 1.9         | 1.8  | 38.0                        | 18.1 | 43.5 | 20.8 | 56.1            | 64.3 | 60                             | 30  |
| 48 (No Heat)      | 0                      | 0                 | 2.6         | 2.5  | ---                         | ---  | ---  | ---  | 2.6             | 2.5  | 15                             | --- |
| 48                | 2.5                    | 8,500             | 2.6         | 2.5  | 11.7                        | ---  | 12.9 | ---  | 11.7            | 12.9 | 15                             | --- |
| 48                | 5                      | 17,100            | 2.6         | 2.5  | 20.7                        | ---  | 23.3 | ---  | 20.7            | 23.3 | 30                             | --- |
| 48                | 7.5                    | 25,600            | 2.6         | 2.5  | 29.7                        | ---  | 33.8 | ---  | 29.7            | 33.8 | 45                             | --- |
| 48                | 10                     | 34,100            | 2.6         | 2.5  | 38.7                        | ---  | 44.2 | ---  | 38.7            | 44.2 | 60                             | --- |
| 48                | 15                     | 51,200            | 2.6         | 2.5  | 38.7                        | 18.1 | 44.2 | 20.8 | 56.8            | 65.0 | 60                             | 30  |
| 48                | 20                     | 68,300            | 2.6         | 2.5  | 38.7                        | 36.1 | 44.2 | 41.7 | 74.9            | 85.8 | 60                             | 60  |
| 60 (No Heat)      | 0                      | 0                 | 4.1         | 3.9  | ---                         | ---  | ---  | ---  | 4.1             | 3.9  | 15                             | --- |
| 60                | 2.5                    | 8,500             | 4.1         | 3.9  | 13.1                        | ---  | 14.3 | ---  | 13.1            | 14.3 | 20                             | --- |
| 60                | 5                      | 17,100            | 4.1         | 3.9  | 22.2                        | ---  | 24.7 | ---  | 22.2            | 24.7 | 30                             | --- |
| 60                | 7.5                    | 25,600            | 4.1         | 3.9  | 31.2                        | ---  | 35.2 | ---  | 31.2            | 35.2 | 45                             | --- |
| 60                | 10                     | 34,100            | 4.1         | 3.9  | 40.2                        | ---  | 45.6 | ---  | 40.2            | 45.6 | 60                             | --- |
| 60                | 15                     | 51,200            | 4.1         | 3.9  | 40.2                        | 18.1 | 45.6 | 20.8 | 58.3            | 66.4 | 60                             | 30  |

<sup>1</sup> For 208 volt use .751 correction factor for kW & BTUH.

<sup>2</sup> 15 and 20 kW (2 stage models) require two supply circuits.

<sup>3</sup> Circuit #1 includes blower motor amps.



1.800.982.2333

www.aireflo-hvac.com



210514 RBC (10/08)

© Aire-Flo Heating and Cooling, 2008