



PRODUCT SPECIFICATIONS

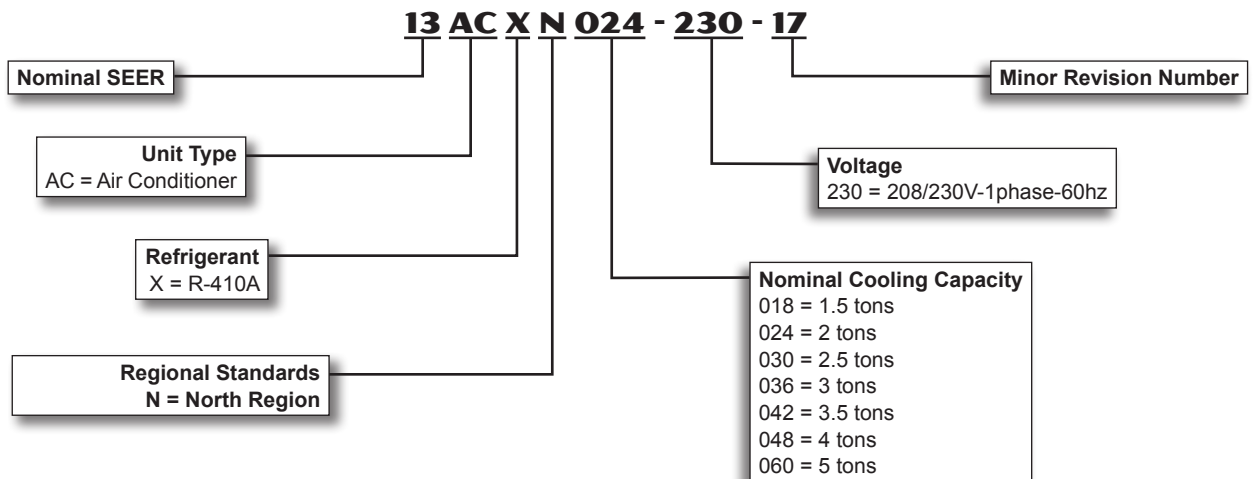
Bulletin No. 210739
 November 2017
 Supersedes August 2017



MERIT®
 SERIES

SEER up to 15.50
1.5 to 5 Tons
Cooling Capacity - 17,500 to 59,000 Btuh

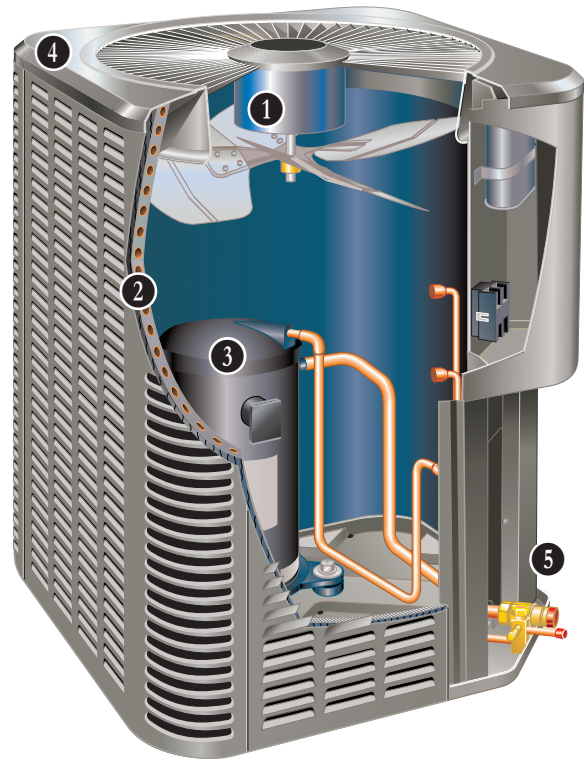
MODEL NUMBER IDENTIFICATION



FEATURES

CONTENTS

AHRI System Matches - North Region	10
Dimensions	7
Electrical Data.....	6
Features.....	2
Field Wiring.....	8
Installation Clearances	8
Model Number Identification	1
Optional Accessories	6
Sound Data	8
Specifications.....	6
TXV Usage	9



WARRANTY

Compressor - limited warranty for five years in residential installations and five years in non-residential installations.

All other covered components - five years in residential installations and one year in non-residential installations.

Refer to Lennox Equipment Limited Warranty certificate included with unit for specific details.

APPROVALS

AHRI Certified to AHRI Standard 210/240-2008.

Sound rated in Lennox reverberant sound test room in Accordance with test conditions included in AHRI Standard 270-2008.

Tested in the Lennox Research Laboratory environmental test room.

Rated according to U.S. Department of Energy (DOE) test procedures.

Region specific models meet the minimum efficiency requirements for U.S DOE Federal Regional Standards in that area.

Units and components within bonded for grounding to meet safety standards for servicing required by UL, NEC and CEC.

Units are ETL certified for the U.S. and Canada.

ISO 9001 Registered Manufacturing Quality System.

For expanded ratings, see www.LennoxPROs.com.

APPLICATIONS

SEER up to 15.50.

1.5 through 5 ton.

Single-phase power supply.

Sound levels as low as 76 dB.

Vertical air discharge allows concealment behind shrubs at grade level or out of sight on a roof.

Matching add-on furnace indoor coils or air handlers provide a wide range of cooling capacities and applications. See AHRI System Matches.

See Indoor Coils and Air Handlers sections for data.

Units shipped completely factory assembled, piped and wired. Each unit test operated at the factory ensuring proper operation.

Installer must set air conditioner, connect refrigerant lines and make electrical connections to complete job.

FEATURES

REFRIGERATION SYSTEM

R-410A Refrigerant

Non-chlorine, ozone friendly, R-410A.

Unit pre-charged with refrigerant.

See Specification table.



1 Condenser Fan

Direct drive fan moves large air volumes uniformly through entire condenser coil for high refrigerant cooling capacity.

Vertical air discharge minimizes operating sounds and eliminates damage to lawn and shrubs.

Fan motor has sleeve bearings and is inherently protected.

Motor totally enclosed for maximum protection from weather, dust and corrosion.

Rain shield on motor provides additional protection from moisture.

Louvered steel top fan guard furnished as standard.

Fan service access accomplished by removal of top panel.

2 Copper Tube/Enhanced Fin Coil

Lennox designed and fabricated coil.

Ripple-edged aluminum fins.

Copper tube construction.

Lanced fins provide maximum exposure of fin surface to air stream resulting in excellent heat transfer.

Fin collars grip tubing for maximum contact area.

Flared shoulder tubing connections/silver soldering construction.

Coil is factory tested under high pressure to ensure leakproof construction.

Steel louvered panels provide complete coil protection.

Panels can be completely removed for servicing.

High Capacity Liquid Line Drier

Furnished with unit for field installation.

Approved for use with R-410A systems.

Traps any moisture or dirt that could contaminate the refrigerant system.

High Pressure Switch

Shuts off unit if abnormal operating conditions cause the discharge pressure to rise above setting.

Protects compressor from excessive condensing pressure.

Automatic reset.

Refrigerant Flow Control

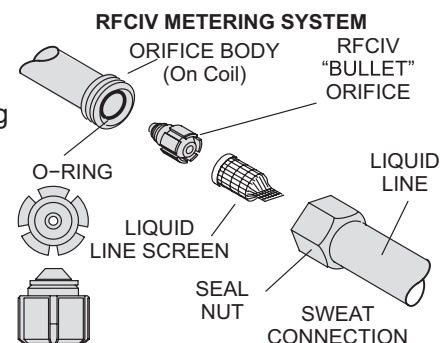
Units applicable to expansion valve systems or RFC systems when matched with specific indoor coils.

RFCIV:

Accurately meters refrigerant in system.

Refrigerant control is accomplished by exact sizing of refrigerant metering orifice.

The principle involves matching indoor coil with proper bore size of orifice in metering device.



Equalizes pressure shortly after compressor stops, unit starts unloaded, eliminating need for additional controls.

Optional Accessories

Expansion Valve Kits

Must be ordered extra and field installed on certain indoor units. See TXV Usage Table on Page 9.

Chatleff-style fittings.

Freezestat

Installs on or near the vapor line of the indoor coil or on the suction line.

Senses suction line temperature and cycles the compressor off when suction line temperature falls below its setpoint.

Opens at 29°F and closes at 58°F.

Loss of Charge Switch Kit

Helps protect the compressor from damage due low refrigerant charge conditions.

SPST, normally-closed switch, automatic reset switch mounted on liquid line.

Refrigerant Line Kits

Refrigerant lines (suction & liquid) are shipped refrigeration clean. Lines are cleaned, dried, pressurized and sealed at factory.

Suction line fully insulated.

Lines are stubbed at both ends.

FEATURES

COMPRESSOR

3 Scroll Compressor

Compressor features high efficiency with uniform suction flow, constant discharge flow, high volumetric efficiency and quiet operation.

Compressor consists of two involute spiral scrolls matched together to generate a series of crescent shaped gas pockets between them.

During compression, one scroll remains stationary while the other scroll orbits around it.

Gas is drawn into the outer pocket, the pocket is sealed as the scroll rotates.

As the spiral movement continues, gas pockets are pushed to the center of the scrolls. Volume between the pockets is simultaneously reduced.

When the pocket reaches the center, gas is now at high pressure and is forced out of a port located in the center of the fixed scrolls.

During compression, several pockets are compressed simultaneously resulting in a smooth continuous compression cycle.

Continuous flank contact, maintained by centrifugal force, minimizes gas leakage and maximizes efficiency.

Scroll compressor is tolerant to the effects of slugging and contaminants. If this occurs, scrolls separate, allowing liquid or contaminants to be worked toward the center and discharged.

Low gas pulses during compression reduces operational sound levels.

Compressor motor is internally protected from excessive current and temperature.

Compressor is installed in the unit on resilient rubber mounts for vibration free operation.



CONTROLS

Optional Accessories

Compressor Hard Start Kit

Single-phase units are equipped with a PSC compressor motor. This type of motor normally doesn't need a potential relay and start capacitor.

In conditions such as low voltage, this kit may be required to increase the compressor starting torque.

Compressor Low Ambient Cut-Off Switch

Non-adjustable switch (low ambient cut-out) prevents compressor operation when outdoor temperature is below 35°F.

Compressor Time-Off Control

Kit prevents compressor short-cycling and allows time for suction and discharge pressure to equalize.

Permits compressor start-up in an unloaded condition.

Automatic reset with 5 minute delay between compressor shut-off and start-up.

Indoor Blower Off Delay Relay

Delays the indoor blower-off time during the cooling cycle.

See AHRI System Matches for usage.

Low Ambient Kit

Air conditioners operate satisfactorily in the cooling mode down to 45°F outdoor air temperature without any additional controls.

Kit can be added in the field enabling unit to operate properly down to 30°F in the cooling mode.

Crankcase heater and freezestat should be installed on compressors equipped with a Low Ambient Kit.

A compressor lock-out thermostat should be added to terminate compressor operation below recommended operation conditions.

Thermostat

Thermostat not furnished with unit. See Thermostat bulletins in Controls Section and Lennox Price Book.

Timed-Off Control

Kit prevents compressor short-cycling and allows time for suction and discharge pressure to equalize.

Permits compressor start-up in an unloaded condition.

Automatic reset with 5 minute delay between compressor shut-off and start-up.

Optional Accessories

Compressor Crankcase Heater

Protects against refrigerant migration that can occur during low ambient operation.

Compressor Sound Cover

A reinforced vinyl compressor cover containing a 1-1/2 inch thick batt of fiberglass insulation.

All open edges are sealed with a one-inch wide hook and loop fastening tape.

FEATURES

CABINET

- 4 Heavy gauge steel cabinet with five station metal wash process.
- Louvered heavy gauge steel panels surround unit on all four sides to prevent damage to the coil.
- Powder paint finish provides superior rust and corrosion protection.
- Control box is conveniently located with all controls factory wired.
- Corner patch plate allows access to compressor components.
- Drainage holes are provided in base section for moisture removal.

PermaGuard™ Unit Base

Durable zinc-coated base section resists rust and corrosion.

5 Refrigerant Line Connections, Electrical Inlets, Service Valves

Sweat connection suction and liquid lines are located on corner of unit cabinet.

Fully serviceable brass service valves prevent corrosion and provide access to refrigerant system. Suction valve can be fully shut off, while liquid valve may be front seated to manage refrigerant charge while servicing system.

Refrigerant line connections and field wiring inlets are located in one central area of cabinet for easy access. See dimension drawing.

Optional Accessories

Unit Stand-Off Kit

Black high density polyethylene feet are available to raise unit off of mounting surface away from damaging moisture.

Four feet are furnished per order number.

SPECIFICATIONS

General Data	Model No.	Northern Region	13ACXN018	13ACXN024	13ACXN030	13ACXN036	13ACXN042	13ACXN048	13ACXN060
		Nominal Tonnage	1.5	2	2.5	3	3.5	4	5
Connections (sweat)		Liquid line o.d. - in.	3/8	3/8	3/8	3/8	3/8	3/8	3/8
		Suction line o.d. - in.	5/8	5/8	3/4	3/4	3/4	7/8	7/8
¹ Refrigerant (R-410A) furnished			4 lbs. 1 oz.	3 lbs. 14 oz.	5 lbs. 2 oz.	5 lbs. 4 oz.	6 lbs. 8 oz.	7 lbs. 12 oz.	9 lbs. 0 oz.
RFCIV Metering Orifice Size Furnished			0.051	0.057	0.065	0.072	0.076	0.082	0.090
Outdoor Coil	Net face area sq. ft.	Outer coil	11.33	11.33	13.22	13.22	16.33	18.67	16.33
		Inner coil	---	---	---	---	---	---	15.71
		Tube diameter - in.	5/16	5/16	5/16	5/16	5/16	5/16	5/16
		Number of rows	1	1	1	1	1	1	2
		Fins per inch	26	26	26	26	26	26	22
Outdoor Fan		Diameter - in.	18	18	18	18	22	22	22
		Number of blades	3	3	4	4	4	4	4
		Motor hp	1/10	1/10	1/5	1/5	1/4	1/4	1/4
		Cfm	2350	2350	2400	2400	3500	3670	3600
		Rpm	1010	1010	1090	1090	825	835	830
		Watts	165	165	185	185	300	295	285
Shipping Data - lbs. 1 package			138	138	144	151	188	195	218

ELECTRICAL DATA

Line voltage data - 60 hz - 1ph			208/230V	208/230V	208/230V	208/230V	208/230V	208/230V	208/230V
² Maximum overcurrent protection (amps)			20	25	25	35	45	50	60
³ Minimum circuit ampacity			12.4	14.7	17.1	22.0	28.1	31.9	34.6
Compressor	Rated load amps		9.4	11.2	12.8	16.7	21.2	24.2	26.3
	Locked rotor amps		56.6	60.8	64	70	90	100	125
	Power factor		0.98	0.98	0.98	0.99	0.99	0.99	0.99
Condenser Fan Motor	Full load amps		0.7	0.7	1.1	1.1	1.7	1.7	1.7
	Locked rotor amps		1.3	1.3	2.0	2.0	3.2	3.2	3.2

OPTIONAL ACCESSORIES - ORDER SEPARATELY

Compressor Crankcase Heater	93M04	•	•	•	•				
	93M05					•	•	•	
Compressor Hard Start Kit	Copeland 10J42	•	•	•	•	•	•	•	
	LG 88M91	•	•	•	•	•	•	•	
Compressor Low Ambient Cut-Off Switch	45F08	•	•	•	•	•	•	•	
Compressor Sound Cover	27W55	•	•	•	•				
	27W56					•	•	•	
Compressor Time-Off Control	47J27	•	•	•	•	•	•	•	
Freezestat	3/8 in. tubing 93G35	•	•	•	•	•	•	•	
	5/8 in. tubing 50A93	•	•	•	•	•	•	•	
Indoor Blower Off Delay Relay	58M81	•	•	•	•	•	•	•	
Loss of Charge Switch Kit	84M23	•	•	•	•	•	•	•	
⁴ Low Ambient Kit (Fan Cycling)	34M72	•	•	•	•	•	•	•	
Refrigerant Line Sets	L15-26-20, L15-26-25, L15-26-35, L15-26-50	•	•						
	L15-41-20, L15-41-30, L15-41-40, L15-41-50			•	•	•			
	L15-65-30, L15-65-40, L15-65-50						•	•	
Unit Stand-Off Kit	94J45	•	•	•	•	•	•	•	

NOTE - Extremes of operating range are plus 10% and minus 5% of line voltage.

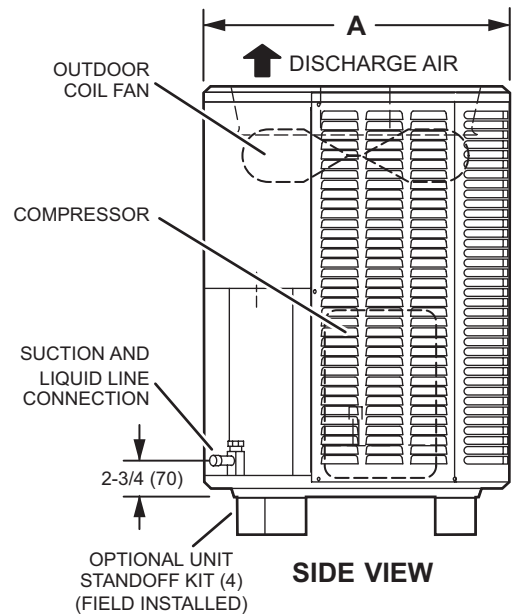
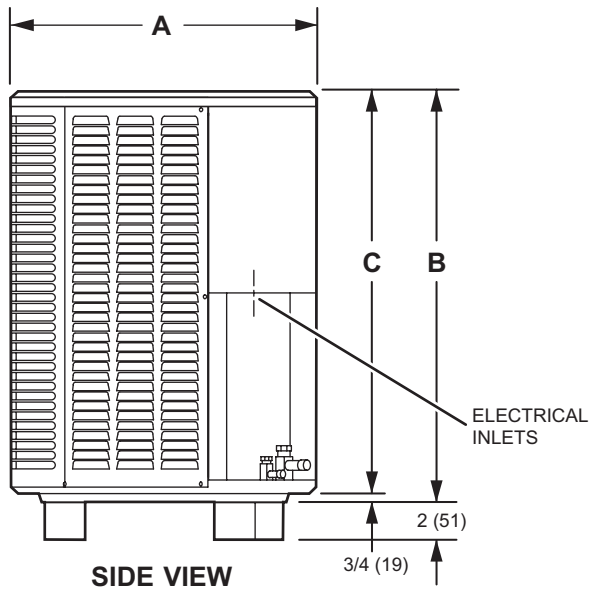
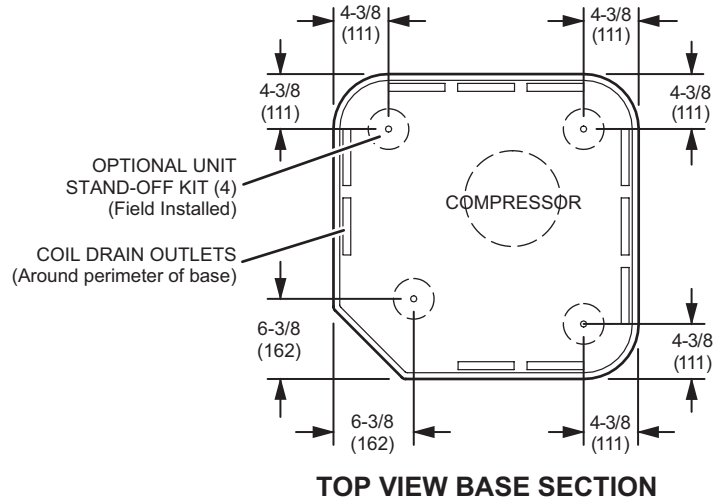
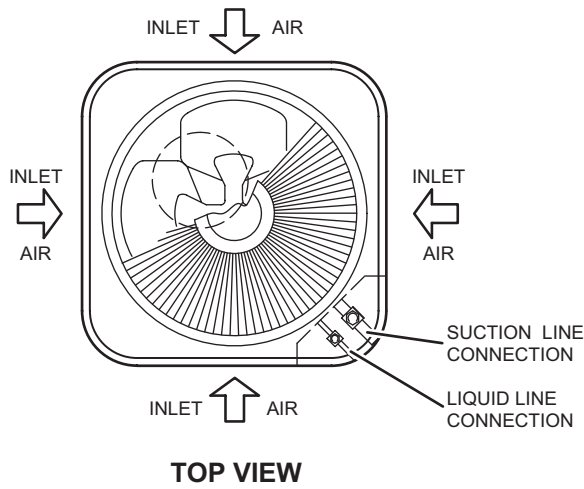
¹ Refrigerant charge sufficient for 15 ft. length of refrigerant lines. For longer line set requirements see the Installation Instructions for information about line set length and additional refrigerant charge required.

² HACR type circuit breaker or fuse.

³ Refer to National or Canadian Electrical Code manual to determine wire, fuse and disconnect size requirements.

⁴ Crankcase Heater and Freezestat are recommended with Low Ambient Kit.

DIMENSIONS - INCHES (MM)



Model	A		B		C	
	inches	mm	inches	mm	inches	mm
018	24-1/4	616	25-1/4	641	24-1/4	616
024	24-1/4	616	25-1/4	641	24-1/4	616
030	24-1/4	616	29-1/4	743	28-1/2	724
036	24-1/4	616	29-1/4	743	28-1/2	724
042	28-1/4	718	29-1/4	743	28-1/2	724
048	28-1/4	718	33-1/4	845	32-1/2	826
060	28-1/4	718	29-1/4	743	28-1/2	724

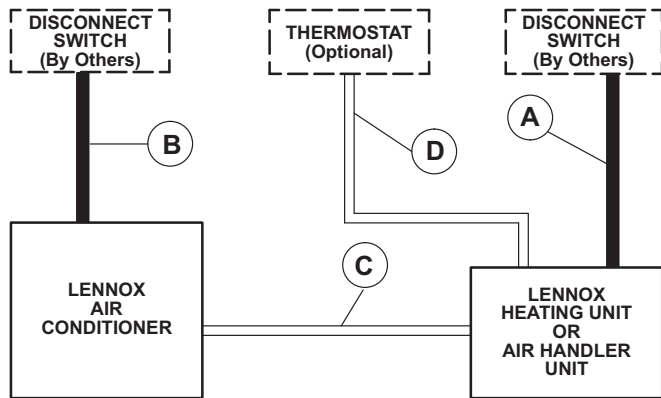
SOUND DATA

1 Unit Model	Octave Band Linear Sound Power Levels dB, re 10 ⁻¹² Watts Center Frequency - HZ							1 Sound Rating Number (dB)
	125	250	500	1000	2000	4000	8000	
018	53	60	64.5	68.5	67	61.5	54.5	76
024	51.5	62	64.5	68.5	67	60.5	53.5	76
030	52.5	62	67.5	69	67	61.5	54.5	76
036	52.5	61	67	69	67	61.5	52.5	76
042	58	68	73.5	75.5	74	69.5	62.5	79
048	57.5	67	73	74.5	71	64	58.5	79
060	57	63	69.5	71.5	71	65.5	60.5	79

NOTE - the octave sound power data does not include tonal correction.

¹ Tested according to AHRI Standard 270-2008 test conditions.

FIELD WIRING

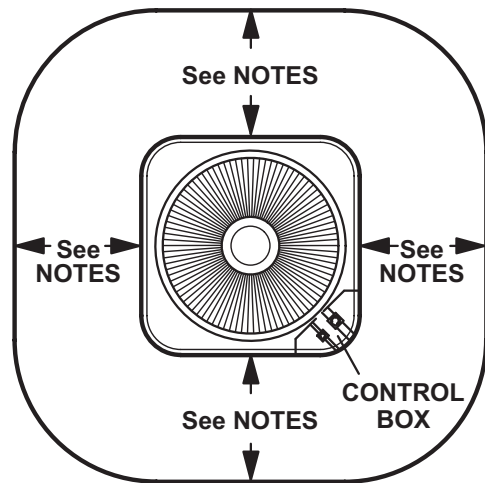


- A - Two Wire Power
- B - Two Wire Power (See Electrical Data)
- C - Two Wire Low Voltage (18 ga. minimum)
- D - Four Wire Low Voltage (Electro-Mechanical) 18 ga. minimum.
Five Wire Low Voltage (Electronic) 18 ga. minimum

NOTE - Field Wiring Not Furnished

All wiring must conform to NEC or CEC and local electrical codes.

INSTALLATION CLEARANCES - IN. (MM)



NOTES:

- Service clearance of 30 in. (762 mm) must be maintained on one of the sides adjacent to the control box.
- Clearance to one of the other three sides must be 36 in. (914 mm)
- Clearance to one of the remaining two sides may be 12 in. (305 mm) and the final side may be 6 in. (152 mm).
- A clearance of 24 in. must be maintained between two units.
- 48 in. (1219 mm) clearance required on top of unit.

TXV USAGE

Use this table for C33, C35, CH23, CH33, CH35 and CR33 Field Installed TXV Match-Ups.

Outdoor Unit Model No.	Thermal Expansion Valve (TXV)
13ACXN018	12J18
13ACXN024	12J18
13ACXN030	12J18
13ACXN036	12J19
13ACXN042	12J20
13ACXN048	12J20
13ACXN060	12J20

CX34 and CX35 upflow coils and all Lennox air handlers are shipped with a factory installed TXV. In most cases, no change out of the valve is needed.

If a change out is required it will be listed in the "TXV SUBSTITUTIONS" table. The correct TXV must be ordered separately and field installed.

C33, C35 and CH33 and CH35 coils - Replace the factory installed orifice with the expansion valve listed .

CR33 and CH23 coils - Use the expansion valve listed.

MOST POPULAR MATCHES

Outdoor Unit Model No.	Indoor Unit Model No
13ACXN018	CX34-30
13ACXN024	CX34-30
13ACXN030	CX34-30
13ACXN036	CX34-38
13ACXN042	CX34-43
13ACXN048	CX34-49
13ACXN060	CX34-49

*TXV SUBSTITUTIONS

Use this table to determine if the factory installed TXV in the indoor unit needs to be replaced.

Outdoor Unit Model No.	Indoor Coil	Factory TXV	Replacement TXV
13ACXN042	CX35-30	12J18	12J20
13ACXN030	CX34-42	12J20	12J18
13ACXN030	CX34-43	12J20	12J18
13ACXN030	CX34-44/48	12J20	12J18

*CX34 and CX35 coils - The factory installed expansion valve must be replaced with the expansion valve listed (ordered separately).
If the combination is not listed above, the factory installed TXV is used.

AHRI STANDARD 210/240

Cooling or heating capacities are net values, including the effects of blower motor heat, and do not include supplementary heat. Power input is the total power input to the compressor(s) and fan(s), plus any controls and other items required as part of the system for normal operation.

Units which do not have an indoor air-circulating blower furnished as part of the model, i.e., split system with indoor coil only, is established by subtracting from the total cooling capacity 1250 Btu/h per 1,000 cfm, and by adding the same amount to the heating capacity. Total power input for both heating and cooling is increased by 365 W per 1,000 cfm of indoor air circulated.

AHRI SYSTEM MATCHES - NORTH REGION

NOTE - For the latest up-to-date system matches please visit the AHRI web site at <http://www.ahridirectory.org>

Model No.	Expansion Device	Capacity	SEER	EER	Coil or Air Handler	Furnace	AHRI Reference
13ACXN018-230	RFC	17500	13	10.7	C35-24A		10256947
13ACXN018-230	RFC	17500	13	10.7	C35-24B		10256948
13ACXN018-230	RFC	17500	13	10.7	C35-30A		10256949
13ACXN018-230	RFC	18400	13	11	CH33-19		10256950
13ACXN018-230	RFC	18400	13	11	CH33-24/30		10256951
13ACXN018-230	RFC	18800	13	11	CH33-25A		10256952
13ACXN018-230	RFC	17500	13	10.7	CH35-24A		10514505
13ACXN018-230	RFC	17500	13	10.7	CH35-24B		10514506
13ACXN018-230	RFC	17500	13	10.7	CH35-30A		10514507
13ACXN018-230	RFC	18200	13	11	CR33-18		10256953
13ACXN018-230	RFC	17900	13	11	CR33-24		10256954
13ACXN018-230	RFC	18900	13	11	CR33-30/36		10256955
13ACXN018-230	TXV	18000	14.5	12	C35-18/24B	EL195UH030XE24B	10245889
13ACXN018-230	TXV	18000	14.5	12	C35-18/24B	EL195UH045XE24B	10245890
13ACXN018-230	TXV	18000	15	12.5	C35-24B	EL195UH030XE24B	10245891
13ACXN018-230	TXV	18000	15	12.5	C35-24B	EL195UH045XE24B	10245892
13ACXN018-230	TXV	17500	13	10.7	C35-24B		10245852
13ACXN018-230	TXV	18700	13	11	C35-30/36A		10245853
13ACXN018-230	TXV	18700	13	11	C35-30/36B		10245854
13ACXN018-230	TXV	18000	15	12.5	C35-30B	EL195UH030XE24B	10245893
13ACXN018-230	TXV	18000	15	12.5	C35-30B	EL195UH045XE24B	10245894
13ACXN018-230	TXV	19400	15.5	12.5	CBA27UHE-018		10259457
13ACXN018-230	TXV	19400	15.5	12.5	CBA27UHE-024		10259458
13ACXN018-230	TXV	18000	13	11.5	CBX25UH-018		10245895
13ACXN018-230	TXV	18500	14.5	12	CBX25UHV-018		10245896
13ACXN018-230	TXV	19400	15.5	12.5	CBX27UH-018		10245897
13ACXN018-230	TXV	19400	15.5	12.5	CBX27UH-024		10245898
13ACXN018-230	TXV	18800	13	11	CBX32M-018/024		10245899
13ACXN018-230	TXV	19100	14.25	12	CBX32M-030		10245900
13ACXN018-230	TXV	18000	14	11.7	CH23-21	EL195UH030XE24B	10245901
13ACXN018-230	TXV	18000	14	11.7	CH23-21	EL195UH045XE24B	10245902
13ACXN018-230	TXV	19100	15.1	12.5	CH33-19	EL180UH045E36A	10245903
13ACXN018-230	TXV	19100	15.1	12.5	CH33-19	EL180UH045XE36A	10245904
13ACXN018-230	TXV	18500	13	11	CH33-19		10245855
13ACXN018-230	TXV	19000	15.1	12	CH33-24/30	EL180UH045E36A	10245905
13ACXN018-230	TXV	19000	15.1	12	CH33-24/30	EL180UH045XE36A	10245906
13ACXN018-230	TXV	18000	13	11	CH33-24/30		10245856
13ACXN018-230	TXV	19500	15.5	12.5	CH33-25A	EL180UH045E36A	10245907
13ACXN018-230	TXV	19500	15.5	12.5	CH33-25A	EL180UH045XE36A	10245908
13ACXN018-230	TXV	18000	14	12.5	CH33-25B	EL195UH030XE24B	10245909
13ACXN018-230	TXV	18800	13	11	CH33-25B		10245857
13ACXN018-230	TXV	19200	15.1	12.5	CH35-18A	EL180UH045E36A	10245910
13ACXN018-230	TXV	19200	15.1	12.5	CH35-18A	EL180UH045XE36A	10245911
13ACXN018-230	TXV	18600	13	11	CH35-18A		10245858
13ACXN018-230	TXV	19600	15.5	12.5	CH35-24A	EL180UH045E36A	10245912
13ACXN018-230	TXV	19600	15.5	12.5	CH35-24A	EL180UH045XE36A	10245913
13ACXN018-230	TXV	19000	13	11	CH35-24A		10245859
13ACXN018-230	TXV	18000	15	12.5	CH35-24B	EL195UH030XE24B	10245914
13ACXN018-230	TXV	18000	15	12.5	CH35-24B	EL195UH045XE24B	10245915

NOTES:

TXV = Matched with Thermostatic Expansion Valve.

RFC = Matched with RFC metering device.

AHRI certified to AHRI Standard 210/240 (with 25 ft. of connecting refrigerant lines); 95°F outdoor air temperature, 80°F db / 67°F wb entering evaporator air.

All ratings include the use of a blower time delay relay (TDR). All Lennox variable-speed furnaces and Air Handlers have time delay capabilities. Other Furnaces and Air Handlers may require an optional time delay relay (**58M81**) for field installation. See furnace or air handler specifications to determine if relay is needed.

Also see Expansion Valve Kit Usage Table.

AHRI SYSTEM MATCHES - NORTH REGION

NOTE - For the latest up-to-date system matches please visit the AHRI web site at <http://www.ahridirectory.org>

Model No.	Expansion Device	Capacity	SEER	EER	Coil or Air Handler	Furnace	AHRI Reference
13ACXN018-230	TXV	18800	13	11	CH35-24B		10245860
13ACXN018-230	TXV	18000	15	12.5	CH35-30B	EL195UH030XE24B	10245916
13ACXN018-230	TXV	18000	15	12.5	CH35-30B	EL195UH045XE24B	10245917
13ACXN018-230	TXV	18900	15	12	CR33-18	EL180DF045E36A	10245918
13ACXN018-230	TXV	18400	13	11	CR33-18		10245861
13ACXN018-230	TXV	18000	13	11	CR33-24		10245862
13ACXN018-230	TXV	18600	14.5	12	CR33-24A	EL180DF045E36A	10245919
13ACXN018-230	TXV	19100	14	11.5	CR33-30/36		10245863
13ACXN018-230	TXV	19700	15.1	12.5	CR33-30/36A	EL180DF045E36A	10245920
13ACXN018-230	TXV	18000	14.5	12	CX35-18/24B	EL195UH030XE24B	10245939
13ACXN018-230	TXV	18000	14.5	12	CX35-18/24B	EL195UH045XE24B	10245940
13ACXN018-230	TXV	18000	15	12.5	CX35-24B	EL195UH030XE24B	10245941
13ACXN018-230	TXV	18000	15	12.5	CX35-24B	EL195UH045XE24B	10245942
13ACXN018-230	TXV	17500	13	10.7	CX35-24B		10245868
13ACXN018-230	TXV	18700	13	11	CX35-30/36A		10245869
13ACXN018-230	TXV	18700	13	11	CX35-30/36B		10245870
13ACXN018-230	TXV	18000	15	12.5	CX35-30B	EL195UH030XE24B	10245943
13ACXN018-230	TXV	18000	15	12.5	CX35-30B	EL195UH045XE24B	10245944
13ACXN018-230	TXV	18000	13	11	CX38-30B		10545226
13ACXN024-230	RFC	22400	13	10.5	C35-24A		10256959
13ACXN024-230	RFC	22400	13	10.5	C35-24B		10256960
13ACXN024-230	RFC	22800	13	10.7	C35-30/36A		10256961
13ACXN024-230	RFC	22800	13	10.7	C35-30A		10256962
13ACXN024-230	RFC	22800	13	10.7	C35-30B		10256963
13ACXN024-230	RFC	22000	13	10.7	C35-36A		10256964
13ACXN024-230	RFC	22000	13	10.7	C35-36B		10256965
13ACXN024-230	RFC	23400	13	11	CH23-41		10256966
13ACXN024-230	RFC	23400	13	11	CH33-25A		10256967
13ACXN024-230	RFC	23800	13	11	CH33-31A		10256968
13ACXN024-230	RFC	23200	13	11	CH33-36		10256969
13ACXN024-230	RFC	22400	13	10.5	CH35-24A		10514508
13ACXN024-230	RFC	22400	13	10.5	CH35-24B		10514509
13ACXN024-230	RFC	22800	13	10.7	CH35-30A		10514510
13ACXN024-230	RFC	22800	13	10.7	CH35-30B		10514511
13ACXN024-230	RFC	22000	13	10.7	CH35-36A		10514512
13ACXN024-230	RFC	22000	13	10.7	CH35-36B		10514513
13ACXN024-230	RFC	23600	13	11	CR33-30/36		10256970
13ACXN024-230	TXV	23000	14	11.5	C35-18/24A	EL180UH045E36A	10250654
13ACXN024-230	TXV	23000	14	11.5	C35-18/24A	EL180UH045XE36A	10250655
13ACXN024-230	TXV	23400	14	12	C35-18/24A	SL280UH070V36A	10250656
13ACXN024-230	TXV	23400	14	12	C35-18/24A	SL280UH070XV36A	10250657
13ACXN024-230	TXV	22800	14	12	C35-18/24B	EL180UH070E36B	10250658
13ACXN024-230	TXV	22800	14	12	C35-18/24B	EL180UH070XE36B	10250659
13ACXN024-230	TXV	23000	14	11.5	C35-18/24B	EL195UH030XE24B	10250660
13ACXN024-230	TXV	23000	14	11.5	C35-18/24B	EL195UH045XE24B	10250661
13ACXN024-230	TXV	22600	14	11.5	C35-18/24B	EL195UH045XE36B	10250662
13ACXN024-230	TXV	23000	14	12	C35-18/24B	EL195UH070XE36B	10250663
13ACXN024-230	TXV	22600	14	11.5	C35-18/24B	EL296UH045XE36B	10250664
13ACXN024-230	TXV	23200	14	12	C35-18/24B	EL296UH045XV36B	10250665

NOTES:

TXV = Matched with Thermostatic Expansion Valve.

RFC = Matched with RFC metering device.

AHRI certified to AHRI Standard 210/240 (with 25 ft. of connecting refrigerant lines); 95°F outdoor air temperature, 80°F db / 67°F wb entering evaporator air.

All ratings include the use of a blower time delay relay (TDR). All Lennox variable-speed furnaces and Air Handlers have time delay capabilities. Other Furnaces and Air Handlers may require an optional time delay relay (**58M81**) for field installation. See furnace or air handler specifications to determine if relay is needed.

Also see Expansion Valve Kit Usage Table.

AHRI SYSTEM MATCHES - NORTH REGION

NOTE - For the latest up-to-date system matches please visit the AHRI web site at <http://www.ahridirectory.org>

Model No.	Expansion Device	Capacity	SEER	EER	Coil or Air Handler	Furnace	AHRI Reference
13ACXN024-230	TXV	23000	14	12	C35-18/24B	EL296UH070XE36B	10250666
13ACXN024-230	TXV	23200	14	12	C35-18/24B	EL296UH070XV36B	10250667
13ACXN024-230	TXV	23200	14.25	12	C35-18/24B	SL280UH090V36B	10250668
13ACXN024-230	TXV	23200	14	12	C35-18/24B	SLP98UH070XV36B	10250669
13ACXN024-230	TXV	24000	15.1	12.5	C35-24A	EL180UH045E36A	10250670
13ACXN024-230	TXV	24000	15.1	12.5	C35-24A	EL180UH045XE36A	10250671
13ACXN024-230	TXV	24000	15.1	12.5	C35-24A	SL280UH070V36A	10250672
13ACXN024-230	TXV	24000	15.1	12.5	C35-24A	SL280UH070XV36A	10250673
13ACXN024-230	TXV	23400	13	11	C35-24A		10250521
13ACXN024-230	TXV	24000	15.1	12.5	C35-24B	EL180UH070E36B	10250674
13ACXN024-230	TXV	23800	15.1	12.5	C35-24B	EL180UH070XE36B	10250675
13ACXN024-230	TXV	23800	15	12	C35-24B	EL195UH030XE24B	10250676
13ACXN024-230	TXV	23800	15	12	C35-24B	EL195UH045XE24B	10250677
13ACXN024-230	TXV	23600	15	12	C35-24B	EL195UH045XE36B	10250678
13ACXN024-230	TXV	24000	15	12.5	C35-24B	EL195UH070XE36B	10250679
13ACXN024-230	TXV	23600	15	12	C35-24B	EL296UH045XE36B	10250680
13ACXN024-230	TXV	24200	15.1	12.5	C35-24B	EL296UH045XV36B	10250681
13ACXN024-230	TXV	24000	15	12.5	C35-24B	EL296UH070XE36B	10250682
13ACXN024-230	TXV	24000	15.1	12.5	C35-24B	EL296UH070XV36B	10250683
13ACXN024-230	TXV	24000	15.1	12.5	C35-24B	SLP98UH070XV36B	10250684
13ACXN024-230	TXV	23400	13	11	C35-24B		10250522
13ACXN024-230	TXV	23200	13	11	C35-30/36A		10250523
13ACXN024-230	TXV	23600	14.5	12.2	C35-30/36B	EL195UH030XE24B	10250685
13ACXN024-230	TXV	23600	14.5	12.2	C35-30/36B	EL195UH045XE24B	10250686
13ACXN024-230	TXV	23200	13	11	C35-30/36B		10250524
13ACXN024-230	TXV	23600	13	11	C35-30A		10250525
13ACXN024-230	TXV	24000	15	12	C35-30B	EL195UH030XE24B	10250687
13ACXN024-230	TXV	24000	15	12	C35-30B	EL195UH045XE24B	10250688
13ACXN024-230	TXV	23600	13	11	C35-30B		10250526
13ACXN024-230	TXV	23800	13	11	C35-36A		10250527
13ACXN024-230	TXV	23800	13	11	C35-36B		10250528
13ACXN024-230	TXV	24000	15.1	12	CBA27UHE-024		10259461
13ACXN024-230	TXV	24000	15.5	12.5	CBA27UHE-030		10259462
13ACXN024-230	TXV	23200	13	11	CBX25UH-024		10250689
13ACXN024-230	TXV	23400	13	11	CBX25UH-030		10250690
13ACXN024-230	TXV	23600	14.5	12	CBX25UHV-024		10250691
13ACXN024-230	TXV	24000	15.1	12	CBX27UH-024		10250692
13ACXN024-230	TXV	24000	15.5	12.5	CBX27UH-030		10250693
13ACXN024-230	TXV	23400	13	11	CBX32M-018/024		10250694
13ACXN024-230	TXV	24000	14.25	11	CBX32M-030		10250695
13ACXN024-230	TXV	23400	13	11	CBX32MV-018/024		10250696
13ACXN024-230	TXV	23600	13	11	CBX32MV-024/030		10250697
13ACXN024-230	TXV	24000	15.1	12	CBX32MV-036		10250698
13ACXN024-230	TXV	24400	15	12	CBX40UHV-024		10250699
13ACXN024-230	TXV	24200	15	12	CBX40UHV-030		10250700
13ACXN024-230	TXV	24600	15	12.5	CBX40UHV-036		10250701
13ACXN024-230	TXV	22600	14	11.5	CH23-31	EL195UH030XE24B	10250702
13ACXN024-230	TXV	22600	14	11.5	CH23-31	EL195UH045XE24B	10250703
13ACXN024-230	TXV	23800	15.1	12	CH23-41	EL180UH045E36A	10250704

NOTES:

TXV = Matched with Thermostatic Expansion Valve.

RFC = Matched with RFC metering device.

AHRI certified to AHRI Standard 210/240 (with 25 ft. of connecting refrigerant lines); 95°F outdoor air temperature, 80°F db / 67°F wb entering evaporator air.

All ratings include the use of a blower time delay relay (TDR). All Lennox variable-speed furnaces and Air Handlers have time delay capabilities. Other Furnaces and Air Handlers may require an optional time delay relay (**58M81**) for field installation. See furnace or air handler specifications to determine if relay is needed.

Also see Expansion Valve Kit Usage Table.

AHRI SYSTEM MATCHES - NORTH REGION

NOTE - For the latest up-to-date system matches please visit the AHRI web site at <http://www.ahridirectory.org>

Model No.	Expansion Device	Capacity	SEER	EER	Coil or Air Handler	Furnace	AHRI Reference
13ACXN024-230	TXV	23800	15.1	12	CH23-41	EL180UH045XE36A	10250705
13ACXN024-230	TXV	23800	15	12.5	CH23-41	EL180UH070E36B	10250706
13ACXN024-230	TXV	23800	15	12.5	CH23-41	EL180UH070XE36B	10250974
13ACXN024-230	TXV	23600	15.1	12	CH23-41	EL195UH045XE36B	10250905
13ACXN024-230	TXV	23800	15.1	12	CH23-41	EL195UH070XE36B	10250906
13ACXN024-230	TXV	23600	15.1	12	CH23-41	EL296UH045XE36B	10250707
13ACXN024-230	TXV	23800	15.5	12	CH23-41	EL296UH045XV36B	10250708
13ACXN024-230	TXV	23800	15.1	12	CH23-41	EL296UH070XE36B	10250907
13ACXN024-230	TXV	23800	15.5	12	CH23-41	EL296UH070XV36B	10250709
13ACXN024-230	TXV	24000	15.5	12	CH23-41	SL280UH070V36A	10250710
13ACXN024-230	TXV	24000	15.5	12	CH23-41	SL280UH070XV36A	10250711
13ACXN024-230	TXV	24000	15.5	12	CH23-41	SL280UH090V36B	10250712
13ACXN024-230	TXV	23800	15.5	12	CH23-41	SLP98UH070XV36B	10250713
13ACXN024-230	TXV	23200	13	11	CH23-41		10250529
13ACXN024-230	TXV	23400	14.5	12	CH33-19	EL180UH045E36A	10250714
13ACXN024-230	TXV	23800	15	12	CH33-19	EL180UH045XE36A	10250715
13ACXN024-230	TXV	23400	14.5	12	CH33-19	SL280UH070V36A	10250716
13ACXN024-230	TXV	23400	14.5	12	CH33-19	SL280UH070XV36A	10250717
13ACXN024-230	TXV	22800	13	11	CH33-19		10250530
13ACXN024-230	TXV	23400	14.5	12	CH33-24/30	EL180UH045E36A	10250718
13ACXN024-230	TXV	23400	14.5	12	CH33-24/30	EL180UH045XE36A	10250719
13ACXN024-230	TXV	23400	14.5	12	CH33-24/30	SL280UH070V36A	10250720
13ACXN024-230	TXV	23400	14.5	12	CH33-24/30	SL280UH070XV36A	10250721
13ACXN024-230	TXV	23400	13	11	CH33-25		10250531
13ACXN024-230	TXV	24000	15	12	CH33-25A	EL180UH045E36A	10250722
13ACXN024-230	TXV	24000	15	12	CH33-25A	EL180UH045XE36A	10250723
13ACXN024-230	TXV	24400	15.1	12.5	CH33-25A	SL280UH070V36A	10250724
13ACXN024-230	TXV	24400	15.1	12.5	CH33-25A	SL280UH070XV36A	10250725
13ACXN024-230	TXV	24200	15.5	12.5	CH33-25B	EL180UH070E36B	10250908
13ACXN024-230	TXV	24200	15.5	12.5	CH33-25B	EL180UH070XE36B	10250909
13ACXN024-230	TXV	23600	14.5	12.2	CH33-25B	EL195UH030XE24B	10250726
13ACXN024-230	TXV	23600	14.5	12.2	CH33-25B	EL195UH045XE24B	10250727
13ACXN024-230	TXV	23600	15	12	CH33-25B	EL195UH045XE36B	10250728
13ACXN024-230	TXV	23600	15.1	12	CH33-25B	EL195UH070XE36B	10250729
13ACXN024-230	TXV	23800	15.1	12	CH33-25B	EL296UH045XE36B	10250910
13ACXN024-230	TXV	23600	15	12	CH33-25B	EL296UH045XV36B	10250730
13ACXN024-230	TXV	23800	15.1	12	CH33-25B	EL296UH070XE36B	10250731
13ACXN024-230	TXV	24000	15.5	12.5	CH33-25B	EL296UH070XV36B	10250732
13ACXN024-230	TXV	24000	15.5	12	CH33-25B	SL280UH090V36B	10250733
13ACXN024-230	TXV	23800	15.1	12	CH33-25B	SLP98UH070XV36B	10250734
13ACXN024-230	TXV	23800	13	11	CH33-31		10250532
13ACXN024-230	TXV	24800	15.5	12.5	CH33-31A	EL180UH045E36A	10250735
13ACXN024-230	TXV	24800	15.5	12.5	CH33-31A	EL180UH045XE36A	10250736
13ACXN024-230	TXV	24800	15.1	12.5	CH33-31A	SL280UH070V36A	10250737
13ACXN024-230	TXV	24800	15.1	12.5	CH33-31A	SL280UH070XV36A	10250738
13ACXN024-230	TXV	24000	15.5	12	CH33-31B	EL180UH070E36B	10250911
13ACXN024-230	TXV	24000	15.5	12	CH33-31B	EL180UH070XE36B	10250912
13ACXN024-230	TXV	24000	15	12.5	CH33-31B	EL195UH030XE24B	10250739
13ACXN024-230	TXV	24000	15	12.5	CH33-31B	EL195UH045XE24B	10250740

NOTES:

TXV = Matched with Thermostatic Expansion Valve.

RFC = Matched with RFC metering device.

AHRI certified to AHRI Standard 210/240 (with 25 ft. of connecting refrigerant lines); 95°F outdoor air temperature, 80°F db / 67°F wb entering evaporator air.

All ratings include the use of a blower time delay relay (TDR). All Lennox variable-speed furnaces and Air Handlers have time delay capabilities. Other Furnaces and Air Handlers may require an optional time delay relay (**58M81**) for field installation. See furnace or air handler specifications to determine if relay is needed.

Also see Expansion Valve Kit Usage Table.

AHRI SYSTEM MATCHES - NORTH REGION

NOTE - For the latest up-to-date system matches please visit the AHRI web site at <http://www.ahridirectory.org>

Model No.	Expansion Device	Capacity	SEER	EER	Coil or Air Handler	Furnace	AHRI Reference
13ACXN024-230	TXV	24400	15.5	12.5	CH33-31B	EL195UH045XE36B	10250741
13ACXN024-230	TXV	24400	15.5	12.5	CH33-31B	EL195UH070XE36B	10250742
13ACXN024-230	TXV	24000	15.1	12	CH33-31B	EL296UH045XE36B	10250913
13ACXN024-230	TXV	24600	15.5	12.5	CH33-31B	EL296UH045XV36B	10250743
13ACXN024-230	TXV	24400	15.5	12.5	CH33-31B	EL296UH070XE36B	10250744
13ACXN024-230	TXV	24600	15.5	12.5	CH33-31B	EL296UH070XV36B	10250745
13ACXN024-230	TXV	24800	15.5	12.5	CH33-31B	SL280UH090V36B	10250746
13ACXN024-230	TXV	24600	15.5	12.5	CH33-31B	SLP98UH070XV36B	10250747
13ACXN024-230	TXV	23200	13	11	CH33-36		10250533
13ACXN024-230	TXV	24000	15	12.5	CH33-36A	EL180UH045E36A	10250748
13ACXN024-230	TXV	24000	15	12.5	CH33-36A	EL180UH045XE36A	10250749
13ACXN024-230	TXV	23800	15	12	CH33-36A	SL280UH070V36A	10250750
13ACXN024-230	TXV	24200	15	12.2	CH33-36A	SL280UH070XV36A	10250751
13ACXN024-230	TXV	23800	15.1	12	CH33-36B	EL180UH070E36B	10250914
13ACXN024-230	TXV	23800	15.1	12	CH33-36B	EL180UH070XE36B	10250915
13ACXN024-230	TXV	23400	14	11.7	CH33-36B	EL195UH030XE24B	10250916
13ACXN024-230	TXV	23400	14	11.7	CH33-36B	EL195UH045XE24B	10250917
13ACXN024-230	TXV	23600	15	12	CH33-36B	EL195UH045XE36B	10250752
13ACXN024-230	TXV	23600	15	12	CH33-36B	EL195UH070XE36B	10250753
13ACXN024-230	TXV	23600	15	12	CH33-36B	EL296UH045XE36B	10250754
13ACXN024-230	TXV	23600	15	12	CH33-36B	EL296UH070XE36B	10250918
13ACXN024-230	TXV	24000	15.5	12.5	CH33-36B	EL296UH070XV36B	10250755
13ACXN024-230	TXV	24200	15.1	12.5	CH33-36B	SL280UH090V36B	10250756
13ACXN024-230	TXV	24000	15.5	12.5	CH33-36B	SLP98UH070XV36B	10250757
13ACXN024-230	TXV	24000	15.5	12	CH33-36C	EL296UH090XV36C	10250758
13ACXN024-230	TXV	24000	15.5	12	CH33-36C	SLP98UH090XV36C	10250759
13ACXN024-230	TXV	24000	15	12.5	CH33-43B	EL195UH070XE36B	10276498
13ACXN024-230	TXV	23600	14.5	12	CH35-18A	EL180UH045E36A	10250760
13ACXN024-230	TXV	23600	14.5	12	CH35-18A	EL180UH045XE36A	10250761
13ACXN024-230	TXV	23600	15	12	CH35-18A	SL280UH070V36A	10250762
13ACXN024-230	TXV	23600	15	12	CH35-18A	SL280UH070XV36A	10250763
13ACXN024-230	TXV	23000	13	11	CH35-18A		10250534
13ACXN024-230	TXV	24000	15.1	12	CH35-24A	EL180UH045E36A	10250764
13ACXN024-230	TXV	24000	15.1	12	CH35-24A	EL180UH045XE36A	10250765
13ACXN024-230	TXV	24000	15.1	12	CH35-24A	SL280UH070V36A	10250766
13ACXN024-230	TXV	24000	15.1	12	CH35-24A	SL280UH070XV36A	10250767
13ACXN024-230	TXV	23400	13	11	CH35-24A		10250535
13ACXN024-230	TXV	24000	15.1	12	CH35-24B	EL180UH070E36B	10250919
13ACXN024-230	TXV	24000	15.1	12	CH35-24B	EL180UH070XE36B	10250920
13ACXN024-230	TXV	23600	14.5	12.2	CH35-24B	EL195UH030XE24B	10250768
13ACXN024-230	TXV	23600	14.5	12.2	CH35-24B	EL195UH045XE24B	10250769
13ACXN024-230	TXV	23600	15	12	CH35-24B	EL195UH045XE36B	10250770
13ACXN024-230	TXV	23600	15.1	12	CH35-24B	EL195UH070XE36B	10250771
13ACXN024-230	TXV	23600	15	12	CH35-24B	EL296UH045XE36B	10250921
13ACXN024-230	TXV	23800	15.1	12	CH35-24B	EL296UH045XV36B	10250772
13ACXN024-230	TXV	23600	15.1	12	CH35-24B	EL296UH070XE36B	10250773
13ACXN024-230	TXV	23800	15.1	12	CH35-24B	EL296UH070XV36B	10250774
13ACXN024-230	TXV	24000	15.5	12	CH35-24B	SL280UH090V36B	10250775
13ACXN024-230	TXV	23800	15.1	12	CH35-24B	SLP98UH070XV36B	10250776

NOTES:

TXV = Matched with Thermostatic Expansion Valve.

RFC = Matched with RFC metering device.

AHRI certified to AHRI Standard 210/240 (with 25 ft. of connecting refrigerant lines); 95°F outdoor air temperature, 80°F db / 67°F wb entering evaporator air.

All ratings include the use of a blower time delay relay (TDR). All Lennox variable-speed furnaces and Air Handlers have time delay capabilities. Other Furnaces and Air Handlers may require an optional time delay relay (**58M81**) for field installation. See furnace or air handler specifications to determine if relay is needed.

Also see Expansion Valve Kit Usage Table.

AHRI SYSTEM MATCHES - NORTH REGION

NOTE - For the latest up-to-date system matches please visit the AHRI web site at <http://www.ahridirectory.org>

Model No.	Expansion Device	Capacity	SEER	EER	Coil or Air Handler	Furnace	AHRI Reference
13ACXN024-230	TXV	23200	13	11	CH35-24B		10250536
13ACXN024-230	TXV	24000	15.1	12	CH35-30A	EL180UH045E36A	10250777
13ACXN024-230	TXV	24000	15.5	12.5	CH35-30A	EL180UH045XE36A	10250778
13ACXN024-230	TXV	24000	15.1	12.5	CH35-30A	SL280UH070V36A	10250779
13ACXN024-230	TXV	24000	15.5	12	CH35-30A	SL280UH070XV36A	10250780
13ACXN024-230	TXV	23800	13	11	CH35-30A		10250537
13ACXN024-230	TXV	24000	15.5	12	CH35-30B	EL180UH070E36B	10250922
13ACXN024-230	TXV	24000	15.5	12	CH35-30B	EL180UH070XE36B	10250923
13ACXN024-230	TXV	24000	15	12.5	CH35-30B	EL195UH030XE24B	10250781
13ACXN024-230	TXV	24000	15	12.5	CH35-30B	EL195UH045XE24B	10250782
13ACXN024-230	TXV	24000	15.5	12	CH35-30B	EL195UH045XE36B	10250783
13ACXN024-230	TXV	24000	15.5	12	CH35-30B	EL195UH070XE36B	10250784
13ACXN024-230	TXV	24000	15.5	12.5	CH35-30B	EL296UH045XE36B	10250924
13ACXN024-230	TXV	24000	15.5	12.5	CH35-30B	EL296UH045XV36B	10250785
13ACXN024-230	TXV	24000	15.5	12	CH35-30B	EL296UH070XE36B	10250786
13ACXN024-230	TXV	24000	15.5	12.5	CH35-30B	SL280UH090V36B	10250787
13ACXN024-230	TXV	24000	15.5	12	CH35-30B	SLP98UH070XV36B	10250788
13ACXN024-230	TXV	23800	13	11	CH35-30B		10250538
13ACXN024-230	TXV	23800	15	12	CH35-36A	EL180UH045E36A	10250789
13ACXN024-230	TXV	24000	15.1	12.5	CH35-36A	EL180UH045XE36A	10250790
13ACXN024-230	TXV	23800	15	12	CH35-36A	SL280UH070V36A	10250791
13ACXN024-230	TXV	23800	15	12	CH35-36A	SL280UH070XV36A	10250792
13ACXN024-230	TXV	23200	13	11	CH35-36A		10250539
13ACXN024-230	TXV	24000	15.5	12.5	CH35-36B	EL180UH070E36B	10250925
13ACXN024-230	TXV	24000	15.5	12.5	CH35-36B	EL180UH070XE36B	10250926
13ACXN024-230	TXV	23600	14.5	12.2	CH35-36B	EL195UH030XE24B	10250927
13ACXN024-230	TXV	23600	14.5	12.2	CH35-36B	EL195UH045XE24B	10250928
13ACXN024-230	TXV	24000	15.1	12.5	CH35-36B	EL195UH045XE36B	10250793
13ACXN024-230	TXV	23600	15.1	12	CH35-36B	EL195UH070XE36B	10250794
13ACXN024-230	TXV	23600	15	12	CH35-36B	EL296UH045XE36B	10250795
13ACXN024-230	TXV	23800	15.1	12	CH35-36B	EL296UH045XV36B	10250796
13ACXN024-230	TXV	23600	15.1	12	CH35-36B	EL296UH070XE36B	10250929
13ACXN024-230	TXV	24000	15.5	12.5	CH35-36B	EL296UH070XV36B	10250797
13ACXN024-230	TXV	24000	15.5	12	CH35-36B	SL280UH090V36B	10250798
13ACXN024-230	TXV	23800	15.1	12	CH35-36B	SLP98UH070XV36B	10250799
13ACXN024-230	TXV	23200	13	11	CH35-36B		10250540
13ACXN024-230	TXV	24000	15.5	12	CH35-36C	EL296UH090XV36C	10250800
13ACXN024-230	TXV	23400	13	11	CH35-36C		10250541
13ACXN024-230	TXV	22400	13	11	CR33-24		10250542
13ACXN024-230	TXV	22800	14.25	11	CR33-24A	SL280DF070V36A	10250801
13ACXN024-230	TXV	22600	14.5	11	CR33-24B	EL180DF070E36B	10250930
13ACXN024-230	TXV	22400	14.25	11	CR33-24B	EL195DF045XE36B	10250931
13ACXN024-230	TXV	22400	14.25	11	CR33-24B	EL195DF070XE48B	10250932
13ACXN024-230	TXV	22400	14.25	11	CR33-24B	EL296DF045XE36B	10250933
13ACXN024-230	TXV	22800	14.25	11	CR33-24B	EL296DF045XV36B	10250802
13ACXN024-230	TXV	22400	14.25	11	CR33-24B	EL296DF070XE48B	10250934
13ACXN024-230	TXV	22800	14.5	11	CR33-24B	SLP98DF070XV36B	10250803
13ACXN024-230	TXV	23600	13	11	CR33-30/36		10250543
13ACXN024-230	TXV	23800	15.1	12	CR33-30/36A	EL180DF045E36A	10250975

NOTES:

TXV = Matched with Thermostatic Expansion Valve.

RFC = Matched with RFC metering device.

AHRI certified to AHRI Standard 210/240 (with 25 ft. of connecting refrigerant lines); 95°F outdoor air temperature, 80°F db / 67°F wb entering evaporator air.

All ratings include the use of a blower time delay relay (TDR). All Lennox variable-speed furnaces and Air Handlers have time delay capabilities. Other Furnaces and Air Handlers may require an optional time delay relay (**58M81**) for field installation. See furnace or air handler specifications to determine if relay is needed.

Also see Expansion Valve Kit Usage Table.

AHRI SYSTEM MATCHES - NORTH REGION

NOTE - For the latest up-to-date system matches please visit the AHRI web site at <http://www.ahridirectory.org>

Model No.	Expansion Device	Capacity	SEER	EER	Coil or Air Handler	Furnace	AHRI Reference
13ACXN024-230	TXV	24000	15	12	CR33-30/36A	SL280DF070V36A	10250804
13ACXN024-230	TXV	24000	15.1	12	CR33-30/36B	EL180DF070E36B	10250935
13ACXN024-230	TXV	24200	15	12.5	CR33-30/36B	EL195DF045XE36B	10250936
13ACXN024-230	TXV	24400	15.5	12.5	CR33-30/36B	EL195DF070XE48B	10250937
13ACXN024-230	TXV	24200	15	12.5	CR33-30/36B	EL296DF045XE36B	10250938
13ACXN024-230	TXV	24000	15.1	12	CR33-30/36B	EL296DF045XV36B	10250805
13ACXN024-230	TXV	24400	15.5	12.5	CR33-30/36B	EL296DF070XE48B	10250939
13ACXN024-230	TXV	24000	15.1	12	CR33-30/36B	EL296DF070XV48B	10250806
13ACXN024-230	TXV	24600	15.1	12.5	CR33-30/36B	SL280DF090V48B	10250807
13ACXN024-230	TXV	24400	15.5	12.5	CR33-30/36B	SLP98DF070XV36B	10250808
13ACXN024-230	TXV	24400	15.5	12.5	CR33-30/36C	SLP98DF090XV36C	10250809
13ACXN024-230	TXV	23000	14	11.5	CX35-18/24A	EL180UH045E36A	10250883
13ACXN024-230	TXV	23000	14	11.5	CX35-18/24A	EL180UH045XE36A	10250884
13ACXN024-230	TXV	23400	14	12	CX35-18/24A	SL280UH070V36A	10250885
13ACXN024-230	TXV	23400	14	12	CX35-18/24A	SL280UH070XV36A	10250886
13ACXN024-230	TXV	22800	14	12	CX35-18/24B	EL180UH070E36B	10250964
13ACXN024-230	TXV	22800	14	12	CX35-18/24B	EL180UH070XE36B	10250965
13ACXN024-230	TXV	23000	14	11.5	CX35-18/24B	EL195UH030XE24B	10250978
13ACXN024-230	TXV	23000	14	11.5	CX35-18/24B	EL195UH045XE24B	10250979
13ACXN024-230	TXV	22600	14	11.5	CX35-18/24B	EL195UH045XE36B	10250966
13ACXN024-230	TXV	23000	14	12	CX35-18/24B	EL195UH070XE36B	10250887
13ACXN024-230	TXV	22600	14	11.5	CX35-18/24B	EL296UH045XE36B	10250967
13ACXN024-230	TXV	23200	14	12	CX35-18/24B	EL296UH045XV36B	10250980
13ACXN024-230	TXV	23000	14	12	CX35-18/24B	EL296UH070XE36B	10250888
13ACXN024-230	TXV	23200	14	12	CX35-18/24B	EL296UH070XV36B	10250889
13ACXN024-230	TXV	23200	14.25	12	CX35-18/24B	SL280UH090V36B	10250890
13ACXN024-230	TXV	23200	14	12	CX35-18/24B	SLP98UH070XV36B	10250891
13ACXN024-230	TXV	24000	15.1	12.5	CX35-24A	EL180UH045E36A	10250892
13ACXN024-230	TXV	24000	15.1	12.5	CX35-24A	EL180UH045XE36A	10250893
13ACXN024-230	TXV	24000	15.1	12.5	CX35-24A	SL280UH070V36A	10250894
13ACXN024-230	TXV	24000	15.1	12.5	CX35-24A	SL280UH070XV36A	10250895
13ACXN024-230	TXV	23400	13	11	CX35-24A		10250550
13ACXN024-230	TXV	24000	15.1	12.5	CX35-24B	EL180UH070E36B	10250968
13ACXN024-230	TXV	23800	15.1	12.5	CX35-24B	EL180UH070XE36B	10250969
13ACXN024-230	TXV	23800	15	12	CX35-24B	EL195UH030XE24B	10250970
13ACXN024-230	TXV	23800	15	12	CX35-24B	EL195UH045XE24B	10250971
13ACXN024-230	TXV	23600	15	12	CX35-24B	EL195UH045XE36B	10250896
13ACXN024-230	TXV	24000	15	12.5	CX35-24B	EL195UH070XE36B	10250972
13ACXN024-230	TXV	23600	15	12	CX35-24B	EL296UH045XE36B	10250897
13ACXN024-230	TXV	24200	15.1	12.5	CX35-24B	EL296UH045XV36B	10250898
13ACXN024-230	TXV	24000	15	12.5	CX35-24B	EL296UH070XE36B	10250973
13ACXN024-230	TXV	24000	15.1	12.5	CX35-24B	EL296UH070XV36B	10250899
13ACXN024-230	TXV	24000	15.1	12.5	CX35-24B	SLP98UH070XV36B	10250900
13ACXN024-230	TXV	23400	13	11	CX35-24B		10250551
13ACXN024-230	TXV	23200	13	11	CX35-30/36A		10250552
13ACXN024-230	TXV	23600	14	12.2	CX35-30/36B	EL195UH030XE24B	10250901
13ACXN024-230	TXV	23600	14.5	12.2	CX35-30/36B	EL195UH045XE24B	10250902
13ACXN024-230	TXV	23200	13	11	CX35-30/36B		10250553
13ACXN024-230	TXV	23600	13	11	CX35-30A		10250554

NOTES:

TXV = Matched with Thermostatic Expansion Valve.

RFC = Matched with RFC metering device.

AHRI certified to AHRI Standard 210/240 (with 25 ft. of connecting refrigerant lines); 95°F outdoor air temperature, 80°F db / 67°F wb entering evaporator air.

All ratings include the use of a blower time delay relay (TDR). All Lennox variable-speed furnaces and Air Handlers have time delay capabilities. Other Furnaces and Air Handlers may require an optional time delay relay (**58M81**) for field installation. See furnace or air handler specifications to determine if relay is needed.

Also see Expansion Valve Kit Usage Table.

AHRI SYSTEM MATCHES - NORTH REGION

NOTE - For the latest up-to-date system matches please visit the AHRI web site at <http://www.ahridirectory.org>

Model No.	Expansion Device	Capacity	SEER	EER	Coil or Air Handler	Furnace	AHRI Reference
13ACXN024-230	TXV	24000	15	12	CX35-30B	EL195UH030XE24B	10250903
13ACXN024-230	TXV	24000	15	12	CX35-30B	EL195UH045XE24B	10250904
13ACXN024-230	TXV	23600	13	11	CX35-30B		10250555
13ACXN024-230	TXV	23800	13	11	CX35-36A		10250556
13ACXN024-230	TXV	23800	13	11	CX35-36B		10250557
13ACXN024-230	TXV	22600	13	10.5	CX38-30B		10545404
13ACXN030-230	RFC	28000	13	10.5	C35-30A		8630749
13ACXN030-230	RFC	28000	13	10.5	C35-30B		8736592
13ACXN030-230	RFC	28000	13	10.5	C35-36A		8630750
13ACXN030-230	RFC	28000	13	10.5	C35-36B		8736593
13ACXN030-230	RFC	28000	13	10.5	C35-48C		8630751
13ACXN030-230	RFC	28800	13	11	CH23-41		7617778
13ACXN030-230	RFC	28200	13	11	CH33-19		7617779
13ACXN030-230	RFC	29000	13	11	CH33-25		7617308
13ACXN030-230	RFC	29400	13	11	CH33-31		7617333
13ACXN030-230	RFC	28600	13	11	CH33-36		7617353
13ACXN030-230	RFC	29200	13.5	11	CH33-42B		7617380
13ACXN030-230	RFC	29600	13.5	11.5	CH33-43		7617396
13ACXN030-230	RFC	29600	13.5	11.5	CH33-48		7617408
13ACXN030-230	RFC	28000	13	10.5	CH35-30A		10514514
13ACXN030-230	RFC	28000	13	10.5	CH35-30B		10514515
13ACXN030-230	RFC	28000	13	10.5	CH35-36A		10514516
13ACXN030-230	RFC	28000	13	10.5	CH35-36B		10514517
13ACXN030-230	RFC	28000	13	10.5	CH35-48C		10514518
13ACXN030-230	RFC	29000	13.5	11	CR33-30/36		7617458
13ACXN030-230	TXV	29200	14.5	12	C35-24A	EL180UH045E36A	8266926
13ACXN030-230	TXV	29200	14.5	12	C35-24A	EL180UH045XE36A	8266929
13ACXN030-230	TXV	29400	14.5	12	C35-24A	SL280UH070V36A	8266933
13ACXN030-230	TXV	29400	14.5	12	C35-24A	SL280UH070XV36A	8266934
13ACXN030-230	TXV	28800	13	11	C35-24A		8266924
13ACXN030-230	TXV	29200	14.5	12	C35-24B	EL195UH045XE36B	8266947
13ACXN030-230	TXV	29400	14.5	12	C35-24B	EL195UH070XE36B	8266948
13ACXN030-230	TXV	29200	14.5	12	C35-24B	EL296UH045XE36B	8266937
13ACXN030-230	TXV	29200	14.5	12	C35-24B	EL296UH045XV36B	8266949
13ACXN030-230	TXV	29400	14.5	12	C35-24B	EL296UH070XE36B	8266938
13ACXN030-230	TXV	29200	14.5	12	C35-24B	EL296UH070XV36B	8266951
13ACXN030-230	TXV	29400	14.5	12	C35-24B	SL280UH090V36B	8266950
13ACXN030-230	TXV	29600	14.5	12	C35-24B	SL280UH090V48B	8266952
13ACXN030-230	TXV	29600	14.5	12	C35-24B	SL280UH090XV48B	8266953
13ACXN030-230	TXV	29200	14.5	12	C35-24B	SLP98UH070XV36B	8266954
13ACXN030-230	TXV	28800	13	11	C35-24B		8269470
13ACXN030-230	TXV	29200	14.5	12	C35-30/36A	EL180UH045E36A	8267007
13ACXN030-230	TXV	29200	14.5	12	C35-30/36A	EL180UH045XE36A	8267009
13ACXN030-230	TXV	29200	14.5	12	C35-30/36A	SL280UH070V36A	8267013
13ACXN030-230	TXV	29200	14.5	12	C35-30/36A	SL280UH070XV36A	8267014
13ACXN030-230	TXV	28600	13	11	C35-30/36A		8267006
13ACXN030-230	TXV	29200	15	12.5	C35-30/36B	EL180UH070E36B	8267017
13ACXN030-230	TXV	29200	15	12.5	C35-30/36B	EL180UH070XE36B	8267015
13ACXN030-230	TXV	29400	15	12.5	C35-30/36B	EL180UH090E48B	8267019

NOTES:

TXV = Matched with Thermostatic Expansion Valve.

RFC = Matched with RFC metering device.

AHRI certified to AHRI Standard 210/240 (with 25 ft. of connecting refrigerant lines); 95°F outdoor air temperature, 80°F db / 67°F wb entering evaporator air.

All ratings include the use of a blower time delay relay (TDR). All Lennox variable-speed furnaces and Air Handlers have time delay capabilities. Other Furnaces and Air Handlers may require an optional time delay relay (**58M81**) for field installation. See furnace or air handler specifications to determine if relay is needed.

Also see Expansion Valve Kit Usage Table.

AHRI SYSTEM MATCHES - NORTH REGION

NOTE - For the latest up-to-date system matches please visit the AHRI web site at <http://www.ahridirectory.org>

Model No.	Expansion Device	Capacity	SEER	EER	Coil or Air Handler	Furnace	AHRI Reference
13ACXN030-230	TXV	29400	15	12.5	C35-30/36B	EL180UH090XE48B	8267016
13ACXN030-230	TXV	29200	14.5	12	C35-30/36B	EL195UH045XE36B	8267031
13ACXN030-230	TXV	29400	14.5	12	C35-30/36B	EL195UH070XE36B	8267032
13ACXN030-230	TXV	29200	14.5	12	C35-30/36B	EL296UH045XE36B	8267021
13ACXN030-230	TXV	29000	14.5	12	C35-30/36B	EL296UH045XV36B	8267033
13ACXN030-230	TXV	29400	14.5	12	C35-30/36B	EL296UH070XE36B	8267022
13ACXN030-230	TXV	29000	14.5	12	C35-30/36B	EL296UH070XV36B	8267034
13ACXN030-230	TXV	29400	15	12.5	C35-30/36B	SL280UH090V36B	8267035
13ACXN030-230	TXV	29600	14.5	12.2	C35-30/36B	SL280UH090V48B	8267036
13ACXN030-230	TXV	29600	14.5	12.2	C35-30/36B	SL280UH090XV48B	8267037
13ACXN030-230	TXV	29200	14.5	12	C35-30/36B	SLP98UH070XV36B	8267038
13ACXN030-230	TXV	28600	13	11	C35-30/36B		8269471
13ACXN030-230	TXV	29000	14.5	12	C35-30/36C	EL195UH090XE48C	8267043
13ACXN030-230	TXV	29000	14.5	12	C35-30/36C	EL296UH090XE48C	8267039
13ACXN030-230	TXV	29200	15	12.5	C35-30/36C	EL296UH090XV36C	8267044
13ACXN030-230	TXV	29200	15	12.5	C35-30/36C	SLP98UH090XV36C	8267042
13ACXN030-230	TXV	29800	14.5	12	C35-30A	EL180UH045E36A	8266959
13ACXN030-230	TXV	29800	14.5	12	C35-30A	EL180UH045XE36A	8266960
13ACXN030-230	TXV	29800	15	12.5	C35-30A	SL280UH070V36A	8266968
13ACXN030-230	TXV	29800	15	12.5	C35-30A	SL280UH070XV36A	8266969
13ACXN030-230	TXV	29200	13	11	C35-30A		8266957
13ACXN030-230	TXV	29800	15	12.5	C35-30B	EL180UH070E36B	8266975
13ACXN030-230	TXV	29800	15	12.5	C35-30B	EL180UH070XE36B	8266979
13ACXN030-230	TXV	29800	15	12.5	C35-30B	EL180UH090E48B	8266977
13ACXN030-230	TXV	29800	15	12.5	C35-30B	EL180UH090XE48B	8266973
13ACXN030-230	TXV	29800	14.5	12	C35-30B	EL195UH045XE36B	8266997
13ACXN030-230	TXV	30000	14.5	12	C35-30B	EL195UH070XE36B	8266998
13ACXN030-230	TXV	29800	14.5	12	C35-30B	EL296UH045XE36B	8266984
13ACXN030-230	TXV	29600	14.5	12	C35-30B	EL296UH045XV36B	8266999
13ACXN030-230	TXV	30000	14.5	12	C35-30B	EL296UH070XE36B	8266985
13ACXN030-230	TXV	29800	15	12.5	C35-30B	EL296UH070XV36B	8267000
13ACXN030-230	TXV	30000	15	12.5	C35-30B	SL280UH090V36B	8267001
13ACXN030-230	TXV	30000	15	12.5	C35-30B	SL280UH090V48B	8267002
13ACXN030-230	TXV	30000	15	12.5	C35-30B	SL280UH090XV48B	8267003
13ACXN030-230	TXV	29800	15	12.5	C35-30B	SLP98UH070XV36B	8267004
13ACXN030-230	TXV	29200	13	11	C35-30B		9122512
13ACXN030-230	TXV	30000	15	12.5	C35-36A	EL180UH045E36A	8267047
13ACXN030-230	TXV	30000	15	12.5	C35-36A	EL180UH045XE36A	8267051
13ACXN030-230	TXV	30000	15	12.5	C35-36A	SL280UH070V36A	8267057
13ACXN030-230	TXV	30000	15	12.5	C35-36A	SL280UH070XV36A	8267058
13ACXN030-230	TXV	29400	13.5	11.5	C35-36A		8267046
13ACXN030-230	TXV	30000	15	12.5	C35-36B	EL180UH070E36B	8267067
13ACXN030-230	TXV	30000	15	12.5	C35-36B	EL180UH070XE36B	8267069
13ACXN030-230	TXV	30200	15.5	12.5	C35-36B	EL180UH090E48B	8267070
13ACXN030-230	TXV	30200	15.5	12.5	C35-36B	EL180UH090XE48B	8267064
13ACXN030-230	TXV	30000	15	12	C35-36B	EL195UH045XE36B	8267090
13ACXN030-230	TXV	30200	15	12	C35-36B	EL195UH070XE36B	8267091
13ACXN030-230	TXV	30000	15	12	C35-36B	EL296UH045XE36B	8267079
13ACXN030-230	TXV	29800	15	12	C35-36B	EL296UH045XV36B	8267092

NOTES:

TXV = Matched with Thermostatic Expansion Valve.

RFC = Matched with RFC metering device.

AHRI certified to AHRI Standard 210/240 (with 25 ft. of connecting refrigerant lines); 95°F outdoor air temperature, 80°F db / 67°F wb entering evaporator air.

All ratings include the use of a blower time delay relay (TDR). All Lennox variable-speed furnaces and Air Handlers have time delay capabilities. Other Furnaces and Air Handlers may require an optional time delay relay (**58M81**) for field installation. See furnace or air handler specifications to determine if relay is needed.

Also see Expansion Valve Kit Usage Table.

AHRI SYSTEM MATCHES - NORTH REGION

NOTE - For the latest up-to-date system matches please visit the AHRI web site at <http://www.ahridirectory.org>

Model No.	Expansion Device	Capacity	SEER	EER	Coil or Air Handler	Furnace	AHRI Reference
13ACXN030-230	TXV	30200	15	12	C35-36B	EL296UH070XE36B	8267080
13ACXN030-230	TXV	29800	15	12.5	C35-36B	EL296UH070XV36B	8267093
13ACXN030-230	TXV	30200	15.5	12.5	C35-36B	SL280UH090V36B	8267094
13ACXN030-230	TXV	30200	15	12.5	C35-36B	SL280UH090V48B	8267095
13ACXN030-230	TXV	30200	15	12.5	C35-36B	SL280UH090XV48B	8267096
13ACXN030-230	TXV	30000	15	12.5	C35-36B	SLP98UH070XV36B	8267097
13ACXN030-230	TXV	29400	13.5	11.5	C35-36B		8269472
13ACXN030-230	TXV	30200	15.5	12.5	C35-48B	EL180UH070E36B	8267145
13ACXN030-230	TXV	30200	15.5	12.5	C35-48B	EL180UH070XE36B	8267148
13ACXN030-230	TXV	30400	15.5	12.5	C35-48B	EL180UH090E48B	8267147
13ACXN030-230	TXV	30400	15.5	12.5	C35-48B	EL180UH090XE48B	8267143
13ACXN030-230	TXV	30200	15	12.5	C35-48B	EL195UH045XE36B	8267158
13ACXN030-230	TXV	30400	15	12.5	C35-48B	EL195UH070XE36B	8267159
13ACXN030-230	TXV	30200	15	12.5	C35-48B	EL296UH045XE36B	8267156
13ACXN030-230	TXV	30000	15	12.5	C35-48B	EL296UH045XV36B	8267160
13ACXN030-230	TXV	30400	15	12.5	C35-48B	EL296UH070XE36B	8267157
13ACXN030-230	TXV	30000	15	12.5	C35-48B	EL296UH070XV36B	8267161
13ACXN030-230	TXV	30200	15.5	12.5	C35-48B	SL280UH090V36B	8267162
13ACXN030-230	TXV	30400	15	12.5	C35-48B	SL280UH090V48B	8267163
13ACXN030-230	TXV	30400	15	12.5	C35-48B	SL280UH090XV48B	8267164
13ACXN030-230	TXV	30200	15	12.5	C35-48B	SLP98UH070XV36B	8267165
13ACXN030-230	TXV	29600	13	11	C35-48B		8267102
13ACXN030-230	TXV	30200	15.5	12.5	C35-48C	EL195UH090XE48C	8267166
13ACXN030-230	TXV	30200	15.5	12.5	C35-48C	EL296UH090XE48C	8267126
13ACXN030-230	TXV	30200	15.5	12.5	C35-48C	EL296UH090XV36C	8267167
13ACXN030-230	TXV	30200	15.5	12.5	C35-48C	SLP98UH090XV36C	8267168
13ACXN030-230	TXV	29600	15	12.5	CBA27UHE-030		10259463
13ACXN030-230	TXV	29800	15	12.5	CBA27UHE-036		10259464
13ACXN030-230	TXV	28800	13	11	CBX25UH-030		7619777
13ACXN030-230	TXV	29200	13.5	11.5	CBX25UH-036		7622710
13ACXN030-230	TXV	29400	14.5	12.2	CBX25UHV-030		7622692
13ACXN030-230	TXV	29600	15	12.5	CBX27UH-030		7617279
13ACXN030-230	TXV	29800	15	12.5	CBX27UH-036		7617280
13ACXN030-230	TXV	28200	13	11	CBX32M-018/024		7617283
13ACXN030-230	TXV	29400	14	12	CBX32M-030		7617281
13ACXN030-230	TXV	29200	14	11.5	CBX32M-036		7617282
13ACXN030-230	TXV	29200	14	11.5	CBX32MV-024/030		7617284
13ACXN030-230	TXV	29600	14.5	12	CBX32MV-036		7617285
13ACXN030-230	TXV	29400	14.5	12	CBX40UHV-030		7617286
13ACXN030-230	TXV	29600	14.5	12	CBX40UHV-036		7617287
13ACXN030-230	TXV	29600	14.5	12	CH23-41	EL180UH045E36A	7620502
13ACXN030-230	TXV	29600	14.5	12	CH23-41	EL180UH045XE36A	7620327
13ACXN030-230	TXV	29800	15	12.5	CH23-41	EL180UH070E36B	7620096
13ACXN030-230	TXV	29800	15	12.5	CH23-41	EL180UH070XE36B	7620383
13ACXN030-230	TXV	29800	15	12.5	CH23-41	EL180UH090E48B	7620312
13ACXN030-230	TXV	29800	15	12.5	CH23-41	EL180UH090XE48B	7619861
13ACXN030-230	TXV	29600	14.5	12	CH23-41	EL195UH045XE36B	7617288
13ACXN030-230	TXV	29600	14.5	12	CH23-41	EL195UH070XE36B	7617289
13ACXN030-230	TXV	29400	15	12.5	CH23-41	EL195UH090XE48C	7617290

NOTES:

TXV = Matched with Thermostatic Expansion Valve.

RFC = Matched with RFC metering device.

AHRI certified to AHRI Standard 210/240 (with 25 ft. of connecting refrigerant lines); 95°F outdoor air temperature, 80°F db / 67°F wb entering evaporator air.

All ratings include the use of a blower time delay relay (TDR). All Lennox variable-speed furnaces and Air Handlers have time delay capabilities. Other Furnaces and Air Handlers may require an optional time delay relay (**58M81**) for field installation. See furnace or air handler specifications to determine if relay is needed.

Also see Expansion Valve Kit Usage Table.

AHRI SYSTEM MATCHES - NORTH REGION

NOTE - For the latest up-to-date system matches please visit the AHRI web site at <http://www.ahridirectory.org>

Model No.	Expansion Device	Capacity	SEER	EER	Coil or Air Handler	Furnace	AHRI Reference
13ACXN030-230	TXV	29600	14.5	12	CH23-41	EL296UH045XE36B	7619124
13ACXN030-230	TXV	29400	14.5	12.5	CH23-41	EL296UH045XV36B	7617291
13ACXN030-230	TXV	29600	14.5	12	CH23-41	EL296UH070XE36B	7619125
13ACXN030-230	TXV	29400	15	12.5	CH23-41	EL296UH070XV36B	7617292
13ACXN030-230	TXV	29400	15	12.5	CH23-41	EL296UH090XE48C	7619126
13ACXN030-230	TXV	29600	15	12.5	CH23-41	SL280UH070V36A	7617293
13ACXN030-230	TXV	29600	15	12.5	CH23-41	SL280UH070XV36A	7617294
13ACXN030-230	TXV	29600	15	12.5	CH23-41	SL280UH090V36B	7617295
13ACXN030-230	TXV	29400	15	12.5	CH23-41	SLP98UH070XV36B	7617305
13ACXN030-230	TXV	28800	13	11	CH23-41		7617446
13ACXN030-230	TXV	28600	14	11.5	CH33-19	EL180UH045E36A	7620504
13ACXN030-230	TXV	28600	14	11.5	CH33-19	EL180UH045XE36A	7620329
13ACXN030-230	TXV	28800	14	12	CH33-19	SL280UH070V36A	7617306
13ACXN030-230	TXV	28800	14	12	CH33-19	SL280UH070XV36A	7617307
13ACXN030-230	TXV	28200	13	11	CH33-19		7617447
13ACXN030-230	TXV	29000	13	11	CH33-25		7617448
13ACXN030-230	TXV	29400	14.5	12	CH33-25A	EL180UH045E36A	7620505
13ACXN030-230	TXV	29400	14.5	12	CH33-25A	EL180UH045XE36A	7620330
13ACXN030-230	TXV	29400	14.5	12	CH33-25A	SL280UH070V36A	7617309
13ACXN030-230	TXV	29400	14.5	12	CH33-25A	SL280UH070XV36A	7617311
13ACXN030-230	TXV	29200	15	12.5	CH33-25B	EL180UH070E36B	7620151
13ACXN030-230	TXV	29200	15	12.5	CH33-25B	EL180UH070XE36B	7620385
13ACXN030-230	TXV	29400	15	12.5	CH33-25B	EL180UH090E48B	7620314
13ACXN030-230	TXV	29400	15	12.5	CH33-25B	EL180UH090XE48B	7619864
13ACXN030-230	TXV	29200	14.5	12	CH33-25B	EL195UH045XE36B	7617310
13ACXN030-230	TXV	29400	14.5	12	CH33-25B	EL195UH070XE36B	7617317
13ACXN030-230	TXV	29200	14.5	12	CH33-25B	EL296UH045XE36B	7619129
13ACXN030-230	TXV	29200	14.5	12	CH33-25B	EL296UH045XV36B	7617318
13ACXN030-230	TXV	29400	14.5	12	CH33-25B	EL296UH070XE36B	7619130
13ACXN030-230	TXV	29200	14.5	12	CH33-25B	EL296UH070XV36B	7617319
13ACXN030-230	TXV	29400	15	12.5	CH33-25B	SL280UH090V36B	7617320
13ACXN030-230	TXV	29600	14.5	12.2	CH33-25B	SL280UH090V48B	7617321
13ACXN030-230	TXV	29600	14.5	12.2	CH33-25B	SL280UH090XV48B	7617322
13ACXN030-230	TXV	29200	14.5	12	CH33-25B	SLP98UH070XV36B	7617323
13ACXN030-230	TXV	29400	13	11	CH33-31		7617449
13ACXN030-230	TXV	29800	14.5	12	CH33-31A	EL180UH045E36A	7620508
13ACXN030-230	TXV	29800	14.5	12	CH33-31A	EL180UH045XE36A	7620333
13ACXN030-230	TXV	29800	15	12	CH33-31A	SL280UH070V36A	7617334
13ACXN030-230	TXV	29800	15	12	CH33-31A	SL280UH070XV36A	7617335
13ACXN030-230	TXV	30000	15	12.5	CH33-31B	EL180UH070E36B	7620153
13ACXN030-230	TXV	30000	15	12.5	CH33-31B	EL180UH070XE36B	7620386
13ACXN030-230	TXV	30000	15	12.5	CH33-31B	EL180UH090E48B	7620315
13ACXN030-230	TXV	30000	14.5	12	CH33-31B	EL195UH045XE36B	7617337
13ACXN030-230	TXV	30200	15	12.5	CH33-31B	EL195UH070XE36B	7617338
13ACXN030-230	TXV	30000	14.5	12	CH33-31B	EL296UH045XE36B	7619133
13ACXN030-230	TXV	29800	15	12	CH33-31B	EL296UH045XV36B	7617339
13ACXN030-230	TXV	30200	15	12.5	CH33-31B	EL296UH070XE36B	7619134
13ACXN030-230	TXV	29800	15	12.5	CH33-31B	EL296UH070XV36B	7617340
13ACXN030-230	TXV	30200	15.5	12.5	CH33-31B	SL280UH090V36B	7617350

NOTES:

TXV = Matched with Thermostatic Expansion Valve.

RFC = Matched with RFC metering device.

AHRI certified to AHRI Standard 210/240 (with 25 ft. of connecting refrigerant lines); 95°F outdoor air temperature, 80°F db / 67°F wb entering evaporator air.

All ratings include the use of a blower time delay relay (TDR). All Lennox variable-speed furnaces and Air Handlers have time delay capabilities. Other Furnaces and Air Handlers may require an optional time delay relay (**58M81**) for field installation. See furnace or air handler specifications to determine if relay is needed.

Also see Expansion Valve Kit Usage Table.

AHRI SYSTEM MATCHES - NORTH REGION

NOTE - For the latest up-to-date system matches please visit the AHRI web site at <http://www.ahridirectory.org>

Model No.	Expansion Device	Capacity	SEER	EER	Coil or Air Handler	Furnace	AHRI Reference
13ACXN030-230	TXV	30200	15	12.5	CH33-31B	SL280UH090V48B	7617351
13ACXN030-230	TXV	30000	15	12.5	CH33-31B	SL280UH090XV48B	7617336
13ACXN030-230	TXV	30000	15	12.5	CH33-31B	SLP98UH070XV36B	7617352
13ACXN030-230	TXV	28600	13	11	CH33-36		7617450
13ACXN030-230	TXV	29000	14.5	12	CH33-36A	EL180UH045E36A	7620524
13ACXN030-230	TXV	29000	14.5	12	CH33-36A	EL180UH045XE36A	7620335
13ACXN030-230	TXV	29200	14.5	12	CH33-36A	SL280UH070V36A	7617354
13ACXN030-230	TXV	29200	14.5	12	CH33-36A	SL280UH070XV36A	7617355
13ACXN030-230	TXV	29200	14.5	12.5	CH33-36B	EL180UH070E36B	7620157
13ACXN030-230	TXV	29200	14.5	12.5	CH33-36B	EL180UH070XE36B	7620387
13ACXN030-230	TXV	29400	15	12.5	CH33-36B	EL180UH090E48B	7620363
13ACXN030-230	TXV	29400	15	12.5	CH33-36B	EL180UH090XE48B	7619868
13ACXN030-230	TXV	29200	14.5	12	CH33-36B	EL195UH045XE36B	7617363
13ACXN030-230	TXV	29400	14.5	12	CH33-36B	EL195UH070XE36B	7617364
13ACXN030-230	TXV	29200	14.5	12	CH33-36B	EL296UH045XE36B	7619138
13ACXN030-230	TXV	29000	14.5	12	CH33-36B	EL296UH045XV36B	7617365
13ACXN030-230	TXV	29400	14.5	12	CH33-36B	EL296UH070XE36B	7619139
13ACXN030-230	TXV	29000	14.5	12	CH33-36B	EL296UH070XV36B	7617366
13ACXN030-230	TXV	29400	15	12.5	CH33-36B	SL280UH090V36B	7617367
13ACXN030-230	TXV	29600	14.5	12.2	CH33-36B	SL280UH090V48B	7617368
13ACXN030-230	TXV	29600	14.5	12.2	CH33-36B	SL280UH090XV48B	7617362
13ACXN030-230	TXV	29200	14.5	12	CH33-36B	SLP98UH070XV36B	7617369
13ACXN030-230	TXV	29400	15	12.5	CH33-36C	EL195UH090XE48C	7617377
13ACXN030-230	TXV	29400	15	12.5	CH33-36C	EL296UH090XE48C	7619142
13ACXN030-230	TXV	29400	15	12.5	CH33-36C	EL296UH090XV36C	7617379
13ACXN030-230	TXV	29400	15	12.5	CH33-36C	SLP98UH090XV36C	7617378
13ACXN030-230	TXV	29200	13.5	11	CH33-42		7617451
13ACXN030-230	TXV	29800	15	12.5	CH33-42B	EL180UH070E36B	7620161
13ACXN030-230	TXV	29800	15	12.5	CH33-42B	EL180UH070XE36B	7620390
13ACXN030-230	TXV	29800	15	12.5	CH33-42B	EL180UH090E48B	7620364
13ACXN030-230	TXV	29800	15	12.5	CH33-42B	EL180UH090XE48B	7619872
13ACXN030-230	TXV	29800	14.5	12	CH33-42B	EL195UH045XE36B	7617381
13ACXN030-230	TXV	29800	14.5	12	CH33-42B	EL195UH070XE36B	7617382
13ACXN030-230	TXV	29800	14.5	12	CH33-42B	EL296UH045XE36B	7619143
13ACXN030-230	TXV	29600	14.5	12	CH33-42B	EL296UH045XV36B	7617383
13ACXN030-230	TXV	29800	14.5	12	CH33-42B	EL296UH070XE36B	7619144
13ACXN030-230	TXV	29600	15	12.5	CH33-42B	EL296UH070XV36B	7617384
13ACXN030-230	TXV	30000	15	12.5	CH33-42B	SL280UH090V36B	7617385
13ACXN030-230	TXV	30000	15	12.5	CH33-42B	SL280UH090V48B	7617393
13ACXN030-230	TXV	30000	15	12.5	CH33-42B	SL280UH090XV48B	7617394
13ACXN030-230	TXV	29800	15	12.5	CH33-42B	SLP98UH070XV36B	7617395
13ACXN030-230	TXV	29600	13.5	11.5	CH33-43		7617452
13ACXN030-230	TXV	30400	15.5	12.5	CH33-43B	EL180UH070E36B	7620163
13ACXN030-230	TXV	30400	15.5	12.5	CH33-43B	EL180UH070XE36B	7620456
13ACXN030-230	TXV	30600	15.5	12.5	CH33-43B	EL180UH090E48B	7620366
13ACXN030-230	TXV	30600	15.5	12.5	CH33-43B	EL180UH090XE48B	7619874
13ACXN030-230	TXV	30400	15	12.5	CH33-43B	EL195UH045XE36B	7617397
13ACXN030-230	TXV	30600	15	12.5	CH33-43B	EL195UH070XE36B	7617398
13ACXN030-230	TXV	30400	15	12.5	CH33-43B	EL296UH045XE36B	7619145

NOTES:

TXV = Matched with Thermostatic Expansion Valve.

RFC = Matched with RFC metering device.

AHRI certified to AHRI Standard 210/240 (with 25 ft. of connecting refrigerant lines); 95°F outdoor air temperature, 80°F db / 67°F wb entering evaporator air.

All ratings include the use of a blower time delay relay (TDR). All Lennox variable-speed furnaces and Air Handlers have time delay capabilities. Other Furnaces and Air Handlers may require an optional time delay relay (**58M81**) for field installation. See furnace or air handler specifications to determine if relay is needed.

Also see Expansion Valve Kit Usage Table.

AHRI SYSTEM MATCHES - NORTH REGION

NOTE - For the latest up-to-date system matches please visit the AHRI web site at <http://www.ahridirectory.org>

Model No.	Expansion Device	Capacity	SEER	EER	Coil or Air Handler	Furnace	AHRI Reference
13ACXN030-230	TXV	30200	15	12.5	CH33-43B	EL296UH045XV36B	7617399
13ACXN030-230	TXV	30600	15	12.5	CH33-43B	EL296UH070XE36B	7619146
13ACXN030-230	TXV	30200	15.5	12.5	CH33-43B	EL296UH070XV36B	7617400
13ACXN030-230	TXV	30600	15.5	13	CH33-43B	SL280UH090V36B	7617401
13ACXN030-230	TXV	30800	15.5	12.5	CH33-43B	SL280UH090V48B	7617402
13ACXN030-230	TXV	30600	15.1	12.5	CH33-43B	SL280UH090XV48B	7617403
13ACXN030-230	TXV	30400	15	12.5	CH33-43B	SLP98UH070XV36B	7617404
13ACXN030-230	TXV	30200	15	12.5	CH33-43C	EL195UH090XE48C	7617405
13ACXN030-230	TXV	30200	15	12.5	CH33-43C	EL296UH090XE48C	7619147
13ACXN030-230	TXV	30200	15.5	12.5	CH33-43C	EL296UH090XV36C	7617406
13ACXN030-230	TXV	30200	15.5	12.5	CH33-43C	SLP98UH090XV36C	7617407
13ACXN030-230	TXV	30000	15	12.5	CH33-48	EL296UH090XV36C	7617409
13ACXN030-230	TXV	30000	15	12.5	CH33-48	SLP98UH090XV36C	7617410
13ACXN030-230	TXV	29600	13.5	11.5	CH33-48		7617453
13ACXN030-230	TXV	28800	14.25	12	CH35-18A	EL180UH045E36A	7622964
13ACXN030-230	TXV	28800	14.25	12	CH35-18A	EL180UH045XE36A	7622966
13ACXN030-230	TXV	29000	14.25	12	CH35-18A	SL280UH070V36A	7622967
13ACXN030-230	TXV	29000	14.25	12	CH35-18A	SL280UH070XV36A	7622969
13ACXN030-230	TXV	28400	13	11	CH35-18A		7622962
13ACXN030-230	TXV	29400	14.5	12.2	CH35-24A	EL180UH045E36A	7622974
13ACXN030-230	TXV	29400	14.5	12.2	CH35-24A	EL180UH045XE36A	7622976
13ACXN030-230	TXV	29600	14.5	12.2	CH35-24A	SL280UH070V36A	7622977
13ACXN030-230	TXV	29600	14.5	12.2	CH35-24A	SL280UH070XV36A	7622979
13ACXN030-230	TXV	29000	13	11	CH35-24A		7622971
13ACXN030-230	TXV	29400	15	12.5	CH35-24B	EL180UH070E36B	7622990
13ACXN030-230	TXV	29400	15	12.5	CH35-24B	EL180UH070XE36B	7622992
13ACXN030-230	TXV	29400	15	12.5	CH35-24B	EL180UH090E48B	7622993
13ACXN030-230	TXV	29400	15	12.5	CH35-24B	EL180UH090XE48B	7622995
13ACXN030-230	TXV	29400	14.5	12.2	CH35-24B	EL195UH045XE36B	7622980
13ACXN030-230	TXV	29600	14.5	12.2	CH35-24B	EL195UH070XE36B	7622982
13ACXN030-230	TXV	29400	14.5	12.2	CH35-24B	EL296UH045XE36B	7622984
13ACXN030-230	TXV	29200	14.5	12.2	CH35-24B	EL296UH045XV36B	7622987
13ACXN030-230	TXV	29600	14.5	12.2	CH35-24B	EL296UH070XE36B	7622985
13ACXN030-230	TXV	29200	14.5	12.2	CH35-24B	EL296UH070XV36B	7622989
13ACXN030-230	TXV	29600	15	12.5	CH35-24B	SL280UH090V36B	7622997
13ACXN030-230	TXV	29800	14.5	12.2	CH35-24B	SL280UH090V48B	7623488
13ACXN030-230	TXV	29800	14.5	12.2	CH35-24B	SL280UH090XV48B	7623489
13ACXN030-230	TXV	29400	14.5	12.2	CH35-24B	SLP98UH070XV36B	7622998
13ACXN030-230	TXV	28800	13	11	CH35-24B		7622972
13ACXN030-230	TXV	29800	14.5	12.2	CH35-30A	EL180UH045E36A	7623003
13ACXN030-230	TXV	30000	15	12.5	CH35-30A	SL280UH070V36A	7623007
13ACXN030-230	TXV	30000	15	12.5	CH35-30A	SL280UH070XV36A	7623008
13ACXN030-230	TXV	29400	13	11.5	CH35-30A		7623000
13ACXN030-230	TXV	29800	14.5	12.2	CH35-30B	EL180UH045XE36A	7623005
13ACXN030-230	TXV	30000	15.1	12.5	CH35-30B	EL180UH070E36B	7623020
13ACXN030-230	TXV	30000	15.1	12.5	CH35-30B	EL180UH070XE36B	7623021
13ACXN030-230	TXV	30000	15.1	12.5	CH35-30B	EL180UH090E48B	7623023
13ACXN030-230	TXV	30000	15.1	12.5	CH35-30B	EL180UH090XE48B	7623025
13ACXN030-230	TXV	30000	15	12.2	CH35-30B	EL195UH045XE36B	7623010

NOTES:

TXV = Matched with Thermostatic Expansion Valve.

RFC = Matched with RFC metering device.

AHRI certified to AHRI Standard 210/240 (with 25 ft. of connecting refrigerant lines); 95°F outdoor air temperature, 80°F db / 67°F wb entering evaporator air.

All ratings include the use of a blower time delay relay (TDR). All Lennox variable-speed furnaces and Air Handlers have time delay capabilities. Other Furnaces and Air Handlers may require an optional time delay relay (**58M81**) for field installation. See furnace or air handler specifications to determine if relay is needed.

Also see Expansion Valve Kit Usage Table.

AHRI SYSTEM MATCHES - NORTH REGION

NOTE - For the latest up-to-date system matches please visit the AHRI web site at <http://www.ahridirectory.org>

Model No.	Expansion Device	Capacity	SEER	EER	Coil or Air Handler	Furnace	AHRI Reference
13ACXN030-230	TXV	30000	15	12.2	CH35-30B	EL195UH070XE36B	7623012
13ACXN030-230	TXV	30000	15	12.2	CH35-30B	EL296UH045XE36B	7623013
13ACXN030-230	TXV	29800	15	12.2	CH35-30B	EL296UH045XV36B	7623016
13ACXN030-230	TXV	30000	15	12.2	CH35-30B	EL296UH070XE36B	7623015
13ACXN030-230	TXV	30000	15.1	12.5	CH35-30B	EL296UH070XV36B	7623018
13ACXN030-230	TXV	30000	15.5	12.5	CH35-30B	SL280UH090V36B	7623026
13ACXN030-230	TXV	30000	15.1	12.5	CH35-30B	SL280UH090V48B	7623491
13ACXN030-230	TXV	30000	15.1	12.5	CH35-30B	SL280UH090XV48B	7623492
13ACXN030-230	TXV	30000	15.1	12.5	CH35-30B	SLP98UH070XV36B	7623028
13ACXN030-230	TXV	29600	13	11.5	CH35-30B		7623002
13ACXN030-230	TXV	29200	14.5	12.2	CH35-36A	EL180UH045E36A	7623035
13ACXN030-230	TXV	29200	14.5	12.2	CH35-36A	EL180UH045XE36A	7623036
13ACXN030-230	TXV	29200	14.5	12.2	CH35-36A	SL280UH070V36A	7623038
13ACXN030-230	TXV	29200	14.5	12.2	CH35-36A	SL280UH070XV36A	7623040
13ACXN030-230	TXV	28800	13	11	CH35-36A		7623030
13ACXN030-230	TXV	29200	15	12.5	CH35-36B	EL180UH070E36B	7623051
13ACXN030-230	TXV	29200	15	12.5	CH35-36B	EL180UH070XE36B	7623053
13ACXN030-230	TXV	29400	15	12.5	CH35-36B	EL180UH090E48B	7623054
13ACXN030-230	TXV	29400	15	12.5	CH35-36B	EL180UH090XE48B	7623056
13ACXN030-230	TXV	29200	14.5	12	CH35-36B	EL195UH045XE36B	7623041
13ACXN030-230	TXV	29400	14.5	12	CH35-36B	EL195UH070XE36B	7623043
13ACXN030-230	TXV	29200	14.5	12	CH35-36B	EL296UH045XE36B	7623045
13ACXN030-230	TXV	29200	14.5	12.2	CH35-36B	EL296UH045XV36B	7623048
13ACXN030-230	TXV	29400	14.5	12	CH35-36B	EL296UH070XE36B	7623046
13ACXN030-230	TXV	29200	14.5	12.2	CH35-36B	EL296UH070XV36B	7623049
13ACXN030-230	TXV	29400	15	12.5	CH35-36B	SL280UH090V36B	7623058
13ACXN030-230	TXV	29600	14.5	12.2	CH35-36B	SL280UH090V48B	7623494
13ACXN030-230	TXV	29600	14.5	12.2	CH35-36B	SL280UH090XV48B	7623496
13ACXN030-230	TXV	29400	14.5	12.2	CH35-36B	SLP98UH070XV36B	7623059
13ACXN030-230	TXV	28800	13	11	CH35-36B		7623031
13ACXN030-230	TXV	29400	15	12.5	CH35-36C	EL195UH090XE48C	7623061
13ACXN030-230	TXV	29400	15	12.5	CH35-36C	EL296UH090XE48C	7623062
13ACXN030-230	TXV	29400	15	12.5	CH35-36C	EL296UH090XV36C	7623064
13ACXN030-230	TXV	29400	15	12.5	CH35-36C	SLP98UH090XV36C	7623066
13ACXN030-230	TXV	29000	13	11	CH35-36C		7623033
13ACXN030-230	TXV	30000	15.5	12.5	CH35-42B	EL180UH070E36B	7623077
13ACXN030-230	TXV	30000	15.5	12.5	CH35-42B	EL180UH070XE36B	7623079
13ACXN030-230	TXV	30000	15.5	12.5	CH35-42B	EL180UH090E48B	7623080
13ACXN030-230	TXV	30000	15.5	12.5	CH35-42B	EL180UH090XE48B	7623082
13ACXN030-230	TXV	30000	15.1	12.5	CH35-42B	EL195UH045XE36B	7623067
13ACXN030-230	TXV	30000	15.1	12.5	CH35-42B	EL195UH070XE36B	7623069
13ACXN030-230	TXV	30000	15.1	12.5	CH35-42B	EL296UH045XE36B	7623074
13ACXN030-230	TXV	30000	15.1	12.5	CH35-42B	EL296UH045XV36B	7623071
13ACXN030-230	TXV	30000	15.1	12.5	CH35-42B	EL296UH070XE36B	7623075
13ACXN030-230	TXV	30000	15.1	12.5	CH35-42B	EL296UH070XV36B	7623072
13ACXN030-230	TXV	30000	15.5	13	CH35-42B	SL280UH090V36B	7623083
13ACXN030-230	TXV	30000	15.1	12.5	CH35-42B	SL280UH090V48B	7623497
13ACXN030-230	TXV	30000	15.1	12.5	CH35-42B	SL280UH090XV48B	7623499
13ACXN030-230	TXV	30000	15.1	12.5	CH35-42B	SLP98UH070XV36B	7623085

NOTES:

TXV = Matched with Thermostatic Expansion Valve.

RFC = Matched with RFC metering device.

AHRI certified to AHRI Standard 210/240 (with 25 ft. of connecting refrigerant lines); 95°F outdoor air temperature, 80°F db / 67°F wb entering evaporator air.

All ratings include the use of a blower time delay relay (TDR). All Lennox variable-speed furnaces and Air Handlers have time delay capabilities. Other Furnaces and Air Handlers may require an optional time delay relay (**58M81**) for field installation. See furnace or air handler specifications to determine if relay is needed.

Also see Expansion Valve Kit Usage Table.

AHRI SYSTEM MATCHES - NORTH REGION

NOTE - For the latest up-to-date system matches please visit the AHRI web site at <http://www.ahridirectory.org>

Model No.	Expansion Device	Capacity	SEER	EER	Coil or Air Handler	Furnace	AHRI Reference
13ACXN030-230	TXV	30000	15.1	12.5	CH35-42C	EL195UH090XE48C	7623088
13ACXN030-230	TXV	30000	15.1	12.5	CH35-42C	EL296UH090XE48C	7623090
13ACXN030-230	TXV	30000	15.5	12.5	CH35-42C	EL296UH090XV36C	7623092
13ACXN030-230	TXV	30000	15.5	12.5	CH35-42C	SLP98UH090XV36C	7623093
13ACXN030-230	TXV	29600	13	11.5	CH35-42C		7623501
13ACXN030-230	TXV	29600	13	11.5	CH35-48B		7623095
13ACXN030-230	TXV	30000	15.1	12.5	CH35-48C	EL296UH090XV36C	7623097
13ACXN030-230	TXV	30000	15.1	12.5	CH35-48C	SLP98UH090XV36C	7623098
13ACXN030-230	TXV	29800	13	11.5	CH35-48C		7623087
13ACXN030-230	TXV	28000	13.5	11.5	CR33-24	EL180DF045E36A	7620037
13ACXN030-230	TXV	28200	13.5	11.5	CR33-24	EL180DF070E36B	7620078
13ACXN030-230	TXV	27800	13.5	11.5	CR33-24	EL195DF045XE36B	7617413
13ACXN030-230	TXV	28000	13.5	11.5	CR33-24	EL195DF070XE48B	7621853
13ACXN030-230	TXV	27800	13.5	11.5	CR33-24	EL296DF045XE36B	7619148
13ACXN030-230	TXV	28200	14	11.5	CR33-24	EL296DF045XV36B	7617417
13ACXN030-230	TXV	28000	13.5	11.5	CR33-24	EL296DF070XE48B	7620852
13ACXN030-230	TXV	28200	14	11.5	CR33-24	SL280DF070V36A	7617411
13ACXN030-230	TXV	27600	13	11	CR33-24	SL280DF090V48B	7617457
13ACXN030-230	TXV	27400	13	10.5	CR33-24		7617454
13ACXN030-230	TXV	27400	13	10.5	CR33-24		7617412
13ACXN030-230	TXV	29600	14.5	12	CR33-30/36	EL180DF045E36A	7620039
13ACXN030-230	TXV	29600	15	12.5	CR33-30/36	EL180DF070E36B	7620080
13ACXN030-230	TXV	29400	14.5	12	CR33-30/36	EL180DF090E48B	7620145
13ACXN030-230	TXV	29400	14.5	12	CR33-30/36	EL195DF045XE36B	7617460
13ACXN030-230	TXV	29600	14.5	12	CR33-30/36	EL195DF070XE48B	7621854
13ACXN030-230	TXV	29400	15	12	CR33-30/36	EL195DF090XE48C	7617463
13ACXN030-230	TXV	29400	14.5	12	CR33-30/36	EL296DF045XE36B	7619156
13ACXN030-230	TXV	29600	14.5	12	CR33-30/36	EL296DF045XV36B	7625411
13ACXN030-230	TXV	29600	14.5	12	CR33-30/36	EL296DF070XE48B	7620853
13ACXN030-230	TXV	29600	14.5	12	CR33-30/36	EL296DF070XV48B	7625405
13ACXN030-230	TXV	29400	15	12	CR33-30/36	EL296DF090XE48C	7619157
13ACXN030-230	TXV	29600	14.5	12	CR33-30/36	SL280DF070V36A	7617459
13ACXN030-230	TXV	29200	14.5	12.2	CR33-30/36	SL280DF090V48B	7617461
13ACXN030-230	TXV	29400	14.5	12	CR33-30/36	SLP98DF070XV36B	7617462
13ACXN030-230	TXV	29600	15	12.5	CR33-30/36	SLP98DF090XV36C	7617464
13ACXN030-230	TXV	29000	13.5	11	CR33-30/36		7617455
13ACXN030-230	TXV	27800	13.5	11.5	CX35-18/24A	EL180UH045E36A	8266544
13ACXN030-230	TXV	27800	13.5	11.5	CX35-18/24A	EL180UH045XE36A	8266548
13ACXN030-230	TXV	27800	13.5	11.5	CX35-18/24A	EL296UH090XV36C	8266550
13ACXN030-230	TXV	28000	13.5	11.5	CX35-18/24A	SL280UH070V36A	8266554
13ACXN030-230	TXV	28000	13.5	11.5	CX35-18/24A	SL280UH070XV36A	8266555
13ACXN030-230	TXV	28000	13.5	11.5	CX35-18/24A	SLP98UH090XV36C	8269473
13ACXN030-230	TXV	28200	13.5	11.5	CX35-18/24B	EL180UH070E36B	8266559
13ACXN030-230	TXV	28200	13.5	11.5	CX35-18/24B	EL180UH070XE36B	8266560
13ACXN030-230	TXV	27800	13.5	11.5	CX35-18/24B	EL180UH090E48B	8266561
13ACXN030-230	TXV	27800	13.5	11.5	CX35-18/24B	EL180UH090XE48B	8266558
13ACXN030-230	TXV	27800	13.5	11.5	CX35-18/24B	EL195UH045XE36B	8266576
13ACXN030-230	TXV	28000	13.5	11.5	CX35-18/24B	EL195UH070XE36B	8266577
13ACXN030-230	TXV	27800	13.5	11.5	CX35-18/24B	EL296UH045XE36B	8266562

NOTES:

TXV = Matched with Thermostatic Expansion Valve.

RFC = Matched with RFC metering device.

AHRI certified to AHRI Standard 210/240 (with 25 ft. of connecting refrigerant lines); 95°F outdoor air temperature, 80°F db / 67°F wb entering evaporator air.

All ratings include the use of a blower time delay relay (TDR). All Lennox variable-speed furnaces and Air Handlers have time delay capabilities. Other Furnaces and Air Handlers may require an optional time delay relay (**58M81**) for field installation. See furnace or air handler specifications to determine if relay is needed.

Also see Expansion Valve Kit Usage Table.

AHRI SYSTEM MATCHES - NORTH REGION

NOTE - For the latest up-to-date system matches please visit the AHRI web site at <http://www.ahridirectory.org>

Model No.	Expansion Device	Capacity	SEER	EER	Coil or Air Handler	Furnace	AHRI Reference
13ACXN030-230	TXV	28000	13.5	11.5	CX35-18/24B	EL296UH070XE36B	8266563
13ACXN030-230	TXV	27800	13.5	11	CX35-18/24B	EL296UH070XV36B	8266578
13ACXN030-230	TXV	28200	13.5	11.5	CX35-18/24B	SL280UH090V36B	8266572
13ACXN030-230	TXV	28400	13	11	CX35-18/24B	SL280UH090V48B	8266573
13ACXN030-230	TXV	28400	13	11	CX35-18/24B	SL280UH090XV48B	8266574
13ACXN030-230	TXV	28000	13.5	11.5	CX35-18/24B	SLP98UH070XV36B	8266575
13ACXN030-230	TXV	29200	14.5	12	CX35-24A	EL180UH045E36A	8266583
13ACXN030-230	TXV	29200	14.5	12	CX35-24A	EL180UH045XE36A	8266587
13ACXN030-230	TXV	29400	14.5	12	CX35-24A	SL280UH070V36A	8266590
13ACXN030-230	TXV	29400	14.5	12	CX35-24A	SL280UH070XV36A	8266591
13ACXN030-230	TXV	28800	13.5	11	CX35-24A		8269474
13ACXN030-230	TXV	29200	14.5	12	CX35-24B	EL195UH045XE36B	8266609
13ACXN030-230	TXV	29400	14.5	12	CX35-24B	EL195UH070XE36B	8266610
13ACXN030-230	TXV	29200	14.5	12	CX35-24B	EL296UH045XE36B	8266594
13ACXN030-230	TXV	29200	14.5	12	CX35-24B	EL296UH045XV36B	8266611
13ACXN030-230	TXV	29400	14.5	12	CX35-24B	EL296UH070XE36B	8266595
13ACXN030-230	TXV	29200	14.5	12	CX35-24B	EL296UH070XV36B	8266604
13ACXN030-230	TXV	29400	14.5	12	CX35-24B	SL280UH090V36B	8266605
13ACXN030-230	TXV	29600	14.5	12	CX35-24B	SL280UH090V48B	8266606
13ACXN030-230	TXV	29600	14.5	12	CX35-24B	SL280UH090XV48B	8266607
13ACXN030-230	TXV	29200	14.5	12	CX35-24B	SLP98UH070XV36B	8266608
13ACXN030-230	TXV	28800	13.5	11	CX35-24B		8266580
13ACXN030-230	TXV	29200	14.5	12	CX35-30/36A	EL180UH045E36A	8266663
13ACXN030-230	TXV	29200	14.5	12	CX35-30/36A	EL180UH045XE36A	8266666
13ACXN030-230	TXV	29000	14.5	12	CX35-30/36A	EL195UH090XE48C	8269479
13ACXN030-230	TXV	29000	14.5	12	CX35-30/36A	EL296UH090XE48C	8269476
13ACXN030-230	TXV	29200	15	12.5	CX35-30/36A	EL296UH090XV36C	8269477
13ACXN030-230	TXV	29200	14.5	12	CX35-30/36A	SL280UH070V36A	8266672
13ACXN030-230	TXV	29200	14.5	12	CX35-30/36A	SL280UH070XV36A	8266673
13ACXN030-230	TXV	29200	15	12.5	CX35-30/36A	SLP98UH090XV36C	8269478
13ACXN030-230	TXV	28600	13	11	CX35-30/36A		8266662
13ACXN030-230	TXV	29200	15	12.5	CX35-30/36B	EL180UH070E36B	8266677
13ACXN030-230	TXV	29200	15	12.5	CX35-30/36B	EL180UH070XE36B	8266679
13ACXN030-230	TXV	29400	15	12.5	CX35-30/36B	EL180UH090E48B	8266674
13ACXN030-230	TXV	29400	15	12.5	CX35-30/36B	EL180UH090XE48B	8266676
13ACXN030-230	TXV	29200	14.5	12	CX35-30/36B	EL195UH045XE36B	8266690
13ACXN030-230	TXV	29400	14.5	12	CX35-30/36B	EL195UH070XE36B	8266691
13ACXN030-230	TXV	29200	14.5	12	CX35-30/36B	EL296UH045XE36B	8266682
13ACXN030-230	TXV	29000	14.5	12	CX35-30/36B	EL296UH045XV36B	8266692
13ACXN030-230	TXV	29400	14.5	12	CX35-30/36B	EL296UH070XE36B	8266683
13ACXN030-230	TXV	29000	14.5	12	CX35-30/36B	EL296UH070XV36B	8266693
13ACXN030-230	TXV	29400	15	12.5	CX35-30/36B	SL280UH090V36B	8266694
13ACXN030-230	TXV	29600	14.5	12.2	CX35-30/36B	SL280UH090V48B	8266695
13ACXN030-230	TXV	29600	14.5	12.2	CX35-30/36B	SL280UH090XV48B	8266696
13ACXN030-230	TXV	29200	14.5	12	CX35-30/36B	SLP98UH070XV36B	8266697
13ACXN030-230	TXV	28800	13	11	CX35-30/36B		9134377
13ACXN030-230	TXV	29000	14.5	12	CX35-30/36C	EL195UH090XE48C	8266699
13ACXN030-230	TXV	29000	14.5	12	CX35-30/36C	EL296UH090XE48C	8266667
13ACXN030-230	TXV	29200	15	12.5	CX35-30/36C	EL296UH090XV36C	8266700

NOTES:

TXV = Matched with Thermostatic Expansion Valve.

RFC = Matched with RFC metering device.

AHRI certified to AHRI Standard 210/240 (with 25 ft. of connecting refrigerant lines); 95°F outdoor air temperature, 80°F db / 67°F wb entering evaporator air.

All ratings include the use of a blower time delay relay (TDR). All Lennox variable-speed furnaces and Air Handlers have time delay capabilities. Other Furnaces and Air Handlers may require an optional time delay relay (**58M81**) for field installation. See furnace or air handler specifications to determine if relay is needed.

Also see Expansion Valve Kit Usage Table.

AHRI SYSTEM MATCHES - NORTH REGION

NOTE - For the latest up-to-date system matches please visit the AHRI web site at <http://www.ahridirectory.org>

Model No.	Expansion Device	Capacity	SEER	EER	Coil or Air Handler	Furnace	AHRI Reference
13ACXN030-230	TXV	29200	15	12.5	CX35-30/36C	SLP98UH090XV36C	8266698
13ACXN030-230	TXV	29800	14.5	12	CX35-30A	EL180UH045E36A	8266616
13ACXN030-230	TXV	29800	14.5	12	CX35-30A	EL180UH045XE36A	8266617
13ACXN030-230	TXV	29800	15	12.5	CX35-30A	SL280UH070V36A	8266625
13ACXN030-230	TXV	29800	15	12.5	CX35-30A	SL280UH070XV36A	8266626
13ACXN030-230	TXV	29200	13.5	11	CX35-30A		8266614
13ACXN030-230	TXV	29800	15	12.5	CX35-30B	EL180UH070E36B	8266633
13ACXN030-230	TXV	29800	15	12.5	CX35-30B	EL180UH070XE36B	8266635
13ACXN030-230	TXV	29800	15	12.5	CX35-30B	EL180UH090E48B	8266636
13ACXN030-230	TXV	29800	15	12.5	CX35-30B	EL180UH090XE48B	8266631
13ACXN030-230	TXV	29800	14.5	12	CX35-30B	EL195UH045XE36B	8266653
13ACXN030-230	TXV	30000	14.5	12	CX35-30B	EL195UH070XE36B	8266654
13ACXN030-230	TXV	29800	14.5	12	CX35-30B	EL296UH045XE36B	8266645
13ACXN030-230	TXV	29600	14.5	12	CX35-30B	EL296UH045XV36B	8266655
13ACXN030-230	TXV	30000	14.5	12	CX35-30B	EL296UH070XE36B	8266646
13ACXN030-230	TXV	29800	15	12.5	CX35-30B	EL296UH070XV36B	8266656
13ACXN030-230	TXV	30000	15	12.5	CX35-30B	SL280UH090V36B	8266657
13ACXN030-230	TXV	30000	15	12.5	CX35-30B	SL280UH090V48B	8266658
13ACXN030-230	TXV	30000	15	12.5	CX35-30B	SL280UH090XV48B	8266659
13ACXN030-230	TXV	29800	15	12.5	CX35-30B	SLP98UH070XV36B	8266660
13ACXN030-230	TXV	29200	13.5	11	CX35-30B		9122513
13ACXN030-230	TXV	30000	15	12.5	CX35-36A	EL180UH045E36A	8266703
13ACXN030-230	TXV	30000	15	12.5	CX35-36A	EL180UH045XE36A	8266706
13ACXN030-230	TXV	30000	15	12.5	CX35-36A	SL280UH070V36A	8266711
13ACXN030-230	TXV	30000	15	12.5	CX35-36A	SL280UH070XV36A	8266712
13ACXN030-230	TXV	29400	13.5	11.5	CX35-36A		8266702
13ACXN030-230	TXV	30000	15	12.5	CX35-36B	EL180UH070E36B	8266720
13ACXN030-230	TXV	30000	15	12.5	CX35-36B	EL180UH070XE36B	8266722
13ACXN030-230	TXV	30200	15.5	12.5	CX35-36B	EL180UH090E48B	8266713
13ACXN030-230	TXV	30200	15.5	12.5	CX35-36B	EL180UH090XE48B	8266718
13ACXN030-230	TXV	30000	15	12	CX35-36B	EL195UH045XE36B	8266741
13ACXN030-230	TXV	30200	15	12	CX35-36B	EL195UH070XE36B	8266742
13ACXN030-230	TXV	30000	15	12	CX35-36B	EL296UH045XE36B	8266732
13ACXN030-230	TXV	29800	15	12	CX35-36B	EL296UH045XV36B	8266743
13ACXN030-230	TXV	30200	15	12	CX35-36B	EL296UH070XE36B	8266733
13ACXN030-230	TXV	29800	15	12.5	CX35-36B	EL296UH070XV36B	8266744
13ACXN030-230	TXV	30200	15.5	12.5	CX35-36B	SL280UH090V36B	8266745
13ACXN030-230	TXV	30200	15	12.5	CX35-36B	SL280UH090V48B	8266746
13ACXN030-230	TXV	30200	15	12.5	CX35-36B	SL280UH090XV48B	8266747
13ACXN030-230	TXV	30000	15	12.5	CX35-36B	SLP98UH070XV36B	8266748
13ACXN030-230	TXV	30200	15.5	12.5	CX35-48B	EL180UH070E36B	8266757
13ACXN030-230	TXV	30200	15.5	12.5	CX35-48B	EL180UH070XE36B	8266759
13ACXN030-230	TXV	30400	15.5	12.5	CX35-48B	EL180UH090E48B	8266754
13ACXN030-230	TXV	30400	15.5	12.5	CX35-48B	EL180UH090XE48B	8266755
13ACXN030-230	TXV	30200	15	12.5	CX35-48B	EL195UH045XE36B	8266767
13ACXN030-230	TXV	30400	15	12.5	CX35-48B	EL195UH070XE36B	8266768
13ACXN030-230	TXV	30200	15	12.5	CX35-48B	EL296UH045XE36B	8266765
13ACXN030-230	TXV	30000	15	12.5	CX35-48B	EL296UH045XV36B	8266769
13ACXN030-230	TXV	30400	15	12.5	CX35-48B	EL296UH070XE36B	8266766

NOTES:

TXV = Matched with Thermostatic Expansion Valve.

RFC = Matched with RFC metering device.

AHRI certified to AHRI Standard 210/240 (with 25 ft. of connecting refrigerant lines); 95°F outdoor air temperature, 80°F db / 67°F wb entering evaporator air.

All ratings include the use of a blower time delay relay (TDR). All Lennox variable-speed furnaces and Air Handlers have time delay capabilities. Other Furnaces and Air Handlers may require an optional time delay relay (**58M81**) for field installation. See furnace or air handler specifications to determine if relay is needed.

Also see Expansion Valve Kit Usage Table.

AHRI SYSTEM MATCHES - NORTH REGION

NOTE - For the latest up-to-date system matches please visit the AHRI web site at <http://www.ahridirectory.org>

Model No.	Expansion Device	Capacity	SEER	EER	Coil or Air Handler	Furnace	AHRI Reference
13ACXN030-230	TXV	30000	15	12.5	CX35-48B	EL296UH070XV36B	8266770
13ACXN030-230	TXV	30200	15.5	12.5	CX35-48B	SL280UH090V36B	8266771
13ACXN030-230	TXV	30400	15	12.5	CX35-48B	SL280UH090V48B	8266772
13ACXN030-230	TXV	30400	15	12.5	CX35-48B	SL280UH090XV48B	8266773
13ACXN030-230	TXV	30200	15	12.5	CX35-48B	SLP98UH070XV36B	8266774
13ACXN030-230	TXV	29600	13.5	11.5	CX35-48B		8269480
13ACXN030-230	TXV	30200	15.5	12.5	CX35-48C	EL195UH090XE48C	8266815
13ACXN030-230	TXV	30200	15.5	12.5	CX35-48C	EL296UH090XE48C	8266801
13ACXN030-230	TXV	30200	15.5	12.5	CX35-48C	EL296UH090XV36C	8266817
13ACXN030-230	TXV	30200	15.5	12.5	CX35-48C	SLP98UH090XV36C	8266816
13ACXN030-230	TXV	29600	13.5	11.5	CX35-48C		8266779
13ACXN030-230	TXV	28200	13	11	CX38-30B		10545578
13ACXN036-230	RFC	33600	13	10.3	C35-36A		8736594
13ACXN036-230	RFC	33600	13	10.3	C35-36B		8630628
13ACXN036-230	RFC	33600	13	10.3	C35-48B		8630630
13ACXN036-230	RFC	33600	13	10.3	C35-48C		8736595
13ACXN036-230	RFC	33600	13	10.3	C35-50/60C		8630632
13ACXN036-230	RFC	35800	13	11	CH33-43		7619429
13ACXN036-230	RFC	35000	13	10.5	CH33-44/48B		7619448
13ACXN036-230	RFC	33600	13	10.3	CH35-42B		10514519
13ACXN036-230	RFC	33600	13	10.3	CH35-48B		10514520
13ACXN036-230	RFC	33600	13	10.3	CH35-48C		10514521
13ACXN036-230	RFC	35000	13	10.5	CR33-50/60		7619460
13ACXN036-230	TXV	35200	13	11	C35-30A	EL180UH045E36A	8266962
13ACXN036-230	TXV	35200	13	11	C35-30A	EL180UH045XE36A	8266961
13ACXN036-230	TXV	35000	13	11	C35-30A	SL280UH070V36A	8266964
13ACXN036-230	TXV	35000	13	11	C35-30A	SL280UH070XV36A	8266965
13ACXN036-230	TXV	35000	14	11	C35-30B	EL180UH070E36B	8266972
13ACXN036-230	TXV	35000	14	11	C35-30B	EL180UH070XE36B	8266970
13ACXN036-230	TXV	35200	14	11	C35-30B	EL180UH090E48B	8266971
13ACXN036-230	TXV	35200	14	11	C35-30B	EL180UH090XE48B	8266974
13ACXN036-230	TXV	35000	13	11	C35-30B	EL195UH045XE36B	8266980
13ACXN036-230	TXV	34800	13	11	C35-30B	EL195UH070XE36B	8266981
13ACXN036-230	TXV	34800	13	11	C35-30B	EL296UH045XV36B	8266982
13ACXN036-230	TXV	35000	13	11	C35-30B	EL296UH070XV36B	8266988
13ACXN036-230	TXV	35200	14	11	C35-30B	SL280UH090V36B	8266989
13ACXN036-230	TXV	32800	13	11	C35-30B	SL280UH090V48B	8266990
13ACXN036-230	TXV	32800	13	11	C35-30B	SL280UH090XV48B	8266991
13ACXN036-230	TXV	35000	13	11	C35-30B	SLP98UH070XV36B	8266983
13ACXN036-230	TXV	35600	14	11	C35-36A	EL180UH045E36A	8267050
13ACXN036-230	TXV	35600	14	11	C35-36A	EL180UH045XE36A	8267048
13ACXN036-230	TXV	35200	14	11	C35-36A	SL280UH070V36A	8267053
13ACXN036-230	TXV	35200	14	11	C35-36A	SL280UH070XV36A	8267054
13ACXN036-230	TXV	35000	13	10.7	C35-36A		8267045
13ACXN036-230	TXV	35600	14.5	12	C35-36B	EL180UH070E36B	8267063
13ACXN036-230	TXV	35600	14.5	12	C35-36B	EL180UH070XE36B	8267060
13ACXN036-230	TXV	35800	14	11	C35-36B	EL180UH090E48B	8267062
13ACXN036-230	TXV	35800	14	11	C35-36B	EL180UH090XE48B	8267066
13ACXN036-230	TXV	35400	14	11	C35-36B	EL195UH070XE36B	8267072

NOTES:

TXV = Matched with Thermostatic Expansion Valve.

RFC = Matched with RFC metering device.

AHRI certified to AHRI Standard 210/240 (with 25 ft. of connecting refrigerant lines); 95°F outdoor air temperature, 80°F db / 67°F wb entering evaporator air.

All ratings include the use of a blower time delay relay (TDR). All Lennox variable-speed furnaces and Air Handlers have time delay capabilities. Other Furnaces and Air Handlers may require an optional time delay relay (**58M81**) for field installation. See furnace or air handler specifications to determine if relay is needed.

Also see Expansion Valve Kit Usage Table.

AHRI SYSTEM MATCHES - NORTH REGION

NOTE - For the latest up-to-date system matches please visit the AHRI web site at <http://www.ahridirectory.org>

Model No.	Expansion Device	Capacity	SEER	EER	Coil or Air Handler	Furnace	AHRI Reference
13ACXN036-230	TXV	35200	14	11	C35-36B	EL296UH045XV36B	8267073
13ACXN036-230	TXV	35400	14	11	C35-36B	EL296UH070XV36B	8267074
13ACXN036-230	TXV	35600	14	11	C35-36B	SL280UH090V36B	8267075
13ACXN036-230	TXV	33200	13	11	C35-36B	SL280UH090V48B	8267076
13ACXN036-230	TXV	33200	13	11	C35-36B	SL280UH090XV48B	8267077
13ACXN036-230	TXV	35000	13	11	C35-36B	SLP98UH070XV36B	8267083
13ACXN036-230	TXV	35000	13	10.5	C35-36B		8269490
13ACXN036-230	TXV	35800	14.5	12	C35-48B	EL180UH070E36B	8267142
13ACXN036-230	TXV	35800	14.5	12	C35-48B	EL180UH070XE36B	8267140
13ACXN036-230	TXV	36000	14	11	C35-48B	EL180UH090E48B	8267141
13ACXN036-230	TXV	36000	14	11	C35-48B	EL180UH090XE48B	8267146
13ACXN036-230	TXV	35600	14	11	C35-48B	EL195UH070XE36B	8267149
13ACXN036-230	TXV	35600	14	11	C35-48B	EL296UH070XE36B	8267155
13ACXN036-230	TXV	35600	14	11	C35-48B	EL296UH070XV36B	8267150
13ACXN036-230	TXV	35800	14.5	12	C35-48B	SL280UH090V36B	8267151
13ACXN036-230	TXV	33400	13.5	11	C35-48B	SL280UH090V48B	8267152
13ACXN036-230	TXV	33400	13.5	11	C35-48B	SL280UH090XV48B	8267153
13ACXN036-230	TXV	35600	14	11	C35-48B	SLP98UH070XV36B	8267154
13ACXN036-230	TXV	35400	13	11	C35-48B		8267100
13ACXN036-230	TXV	36000	14.5	12	C35-48C	EL180UH090E60C	8267110
13ACXN036-230	TXV	35800	14.5	12	C35-48C	EL180UH110E60C	8267106
13ACXN036-230	TXV	35800	14.5	12	C35-48C	EL180UH110XE60C	8267108
13ACXN036-230	TXV	35800	14	11	C35-48C	EL195UH090XE48C	8267111
13ACXN036-230	TXV	36000	14	11	C35-48C	EL195UH110XE60C	8267112
13ACXN036-230	TXV	35800	14	11	C35-48C	EL296UH090XE48C	8267122
13ACXN036-230	TXV	35800	14	11	C35-48C	EL296UH090XV36C	8267113
13ACXN036-230	TXV	35800	14	11	C35-48C	EL296UH090XV48C	8267114
13ACXN036-230	TXV	36000	14	11	C35-48C	EL296UH110XE60C	8267123
13ACXN036-230	TXV	33800	13.2	11	C35-48C	SL280UH090V60C	8267115
13ACXN036-230	TXV	33800	13.5	11	C35-48C	SL280UH090XV60C	8267117
13ACXN036-230	TXV	33600	13	11	C35-48C	SL280UH110V60C	8267116
13ACXN036-230	TXV	33600	13	11	C35-48C	SL280UH110XV60C	8267118
13ACXN036-230	TXV	35800	14	11	C35-48C	SLP98UH090XV36C	8267119
13ACXN036-230	TXV	35800	14	11	C35-48C	SLP98UH090XV48C	8267120
13ACXN036-230	TXV	36200	14.5	12	C35-48C	SLP98UH110XV60C	8267121
13ACXN036-230	TXV	35400	13	11	C35-48C		8269491
13ACXN036-230	TXV	36000	14.5	12	C35-50/60C	EL180UH090E60C	8267210
13ACXN036-230	TXV	35600	14	11	C35-50/60C	EL180UH110E60C	8267205
13ACXN036-230	TXV	35600	14	11	C35-50/60C	EL180UH110XE60C	8267208
13ACXN036-230	TXV	35800	14	11	C35-50/60C	EL195UH090XE48C	8267211
13ACXN036-230	TXV	36000	14	11	C35-50/60C	EL195UH110XE60C	8267212
13ACXN036-230	TXV	35800	14	11	C35-50/60C	EL296UH090XE48C	8267222
13ACXN036-230	TXV	35800	14	11	C35-50/60C	EL296UH090XV36C	8267213
13ACXN036-230	TXV	35600	14	11	C35-50/60C	EL296UH090XV48C	8267214
13ACXN036-230	TXV	36000	14	11	C35-50/60C	EL296UH110XE60C	8267223
13ACXN036-230	TXV	33600	13.2	11	C35-50/60C	SL280UH090V60C	8267215
13ACXN036-230	TXV	33600	13.2	11	C35-50/60C	SL280UH090XV60C	8267217
13ACXN036-230	TXV	33400	13	11	C35-50/60C	SL280UH110V60C	8267216
13ACXN036-230	TXV	33400	13	11	C35-50/60C	SL280UH110XV60C	8267218

NOTES:

TXV = Matched with Thermostatic Expansion Valve.

RFC = Matched with RFC metering device.

AHRI certified to AHRI Standard 210/240 (with 25 ft. of connecting refrigerant lines); 95°F outdoor air temperature, 80°F db / 67°F wb entering evaporator air.

All ratings include the use of a blower time delay relay (TDR). All Lennox variable-speed furnaces and Air Handlers have time delay capabilities. Other Furnaces and Air Handlers may require an optional time delay relay (**58M81**) for field installation. See furnace or air handler specifications to determine if relay is needed.

Also see Expansion Valve Kit Usage Table.

AHRI SYSTEM MATCHES - NORTH REGION

NOTE - For the latest up-to-date system matches please visit the AHRI web site at <http://www.ahridirectory.org>

Model No.	Expansion Device	Capacity	SEER	EER	Coil or Air Handler	Furnace	AHRI Reference
13ACXN036-230	TXV	35800	14	11	C35-50/60C	SLP98UH090XV36C	8267219
13ACXN036-230	TXV	35600	14	11	C35-50/60C	SLP98UH090XV48C	8267220
13ACXN036-230	TXV	36000	14	11	C35-50/60C	SLP98UH110XV60C	8267221
13ACXN036-230	TXV	35200	13	11	C35-50/60C		8267203
13ACXN036-230	TXV	35000	13	11	CBA27UHE-036		10259465
13ACXN036-230	TXV	36000	14.5	12	CBA27UHE-042		10259466
13ACXN036-230	TXV	35200	13	11	CBX25UH-042		7619778
13ACXN036-230	TXV	35000	13	11	CBX25UHV-036		7622694
13ACXN036-230	TXV	36000	14.5	12.2	CBX25UHV-042		7622696
13ACXN036-230	TXV	35000	13	11	CBX27UH-036		7619417
13ACXN036-230	TXV	36000	14.5	12	CBX27UH-042		7619418
13ACXN036-230	TXV	34000	13	11	CBX32M-030		7619419
13ACXN036-230	TXV	34400	13	11	CBX32M-036		7619420
13ACXN036-230	TXV	34400	13	11	CBX32M-042		7619421
13ACXN036-230	TXV	35400	13	11	CBX32M-048		7619422
13ACXN036-230	TXV	34600	13	11	CBX32MV-036		7619423
13ACXN036-230	TXV	36000	14.5	12	CBX32MV-048		7619424
13ACXN036-230	TXV	34800	13	11	CBX40UHV-036		7619425
13ACXN036-230	TXV	35600	13	11	CBX40UHV-042		7619426
13ACXN036-230	TXV	35800	14	11	CBX40UHV-048		7619427
13ACXN036-230	TXV	34800	14	11	CH23-41	EL180UH070E36B	7620714
13ACXN036-230	TXV	35200	13	11	CH23-41	EL180UH090E48B	7620632
13ACXN036-230	TXV	34800	14	11	CH23-51	EL180UH070E36B	7620715
13ACXN036-230	TXV	35200	14	11	CH23-51	EL180UH090E48B	7620633
13ACXN036-230	TXV	34800	13	11	CH23-51	EL296UH045XV36B	7619428
13ACXN036-230	TXV	35800	13	11	CH33-43		7619526
13ACXN036-230	TXV	36000	14.5	12	CH33-43B	EL180UH070E36B	7620717
13ACXN036-230	TXV	36000	14.5	12	CH33-43B	EL180UH070XE36B	7620496
13ACXN036-230	TXV	36200	14.5	12	CH33-43B	EL180UH090E48B	7620520
13ACXN036-230	TXV	36200	14.5	12	CH33-43B	EL180UH090XE48B	7620123
13ACXN036-230	TXV	36000	14	11	CH33-43B	EL195UH070XE36B	7619430
13ACXN036-230	TXV	36000	14	11	CH33-43B	EL296UH070XE36B	7619533
13ACXN036-230	TXV	36000	14	11	CH33-43B	EL296UH070XV36B	7619432
13ACXN036-230	TXV	36000	14.5	12	CH33-43B	SL280UH090V36B	7619433
13ACXN036-230	TXV	33800	13.5	11	CH33-43B	SL280UH090V48B	7619434
13ACXN036-230	TXV	33800	13.5	11	CH33-43B	SL280UH090XV48B	7619435
13ACXN036-230	TXV	36000	14	11	CH33-43B	SLP98UH070XV36B	7619436
13ACXN036-230	TXV	36200	14.5	12	CH33-43C	EL180UH090E60C	7620801
13ACXN036-230	TXV	35800	14.5	12	CH33-43C	EL180UH110E60C	7620451
13ACXN036-230	TXV	35800	14.5	12	CH33-43C	EL180UH110XE60C	7620691
13ACXN036-230	TXV	36000	14	11	CH33-43C	EL195UH090XE48C	7619437
13ACXN036-230	TXV	36200	14.5	12	CH33-43C	EL195UH110XE60C	7619438
13ACXN036-230	TXV	36000	14	11	CH33-43C	EL296UH090XE48C	7619534
13ACXN036-230	TXV	36000	14	11	CH33-43C	EL296UH090XV36C	7619439
13ACXN036-230	TXV	35800	14.5	12	CH33-43C	EL296UH090XV48C	7619440
13ACXN036-230	TXV	36200	14.5	12	CH33-43C	EL296UH110XE60C	7619535
13ACXN036-230	TXV	33800	13.2	11	CH33-43C	SL280UH090V60C	7619441
13ACXN036-230	TXV	33800	13.2	11	CH33-43C	SL280UH090XV60C	7619443
13ACXN036-230	TXV	33600	13	11	CH33-43C	SL280UH110V60C	7619442

NOTES:

TXV = Matched with Thermostatic Expansion Valve.

RFC = Matched with RFC metering device.

AHRI certified to AHRI Standard 210/240 (with 25 ft. of connecting refrigerant lines); 95°F outdoor air temperature, 80°F db / 67°F wb entering evaporator air.

All ratings include the use of a blower time delay relay (TDR). All Lennox variable-speed furnaces and Air Handlers have time delay capabilities. Other Furnaces and Air Handlers may require an optional time delay relay (**58M81**) for field installation. See furnace or air handler specifications to determine if relay is needed.

Also see Expansion Valve Kit Usage Table.

AHRI SYSTEM MATCHES - NORTH REGION

NOTE - For the latest up-to-date system matches please visit the AHRI web site at <http://www.ahridirectory.org>

Model No.	Expansion Device	Capacity	SEER	EER	Coil or Air Handler	Furnace	AHRI Reference
13ACXN036-230	TXV	33600	13	11	CH33-43C	SL280UH110XV60C	7619444
13ACXN036-230	TXV	36000	14	11	CH33-43C	SLP98UH090XV36C	7619445
13ACXN036-230	TXV	35800	14.5	12	CH33-43C	SLP98UH090XV48C	7619446
13ACXN036-230	TXV	36200	14.5	12	CH33-43C	SLP98UH110XV60C	7619447
13ACXN036-230	TXV	35000	13	10.5	CH33-44/48		7619527
13ACXN036-230	TXV	35400	14	11	CH33-44/48B	EL180UH070E36B	7620718
13ACXN036-230	TXV	35400	14	11	CH33-44/48B	EL180UH070XE36B	7620497
13ACXN036-230	TXV	35400	14	11	CH33-44/48B	EL180UH090E48B	7620521
13ACXN036-230	TXV	35400	14	11	CH33-44/48B	EL180UH090XE48B	7620125
13ACXN036-230	TXV	35600	14	11	CH33-44/48B	SL280UH090V36B	7619449
13ACXN036-230	TXV	33200	13	11	CH33-44/48B	SL280UH090V48B	7619450
13ACXN036-230	TXV	33200	13	11	CH33-44/48B	SL280UH090XV48B	7619451
13ACXN036-230	TXV	36000	14.5	12	CH33-48	EL180UH090E60C	7620803
13ACXN036-230	TXV	35800	14.5	12	CH33-48	EL180UH110E60C	7620452
13ACXN036-230	TXV	35800	14.5	12	CH33-48	EL180UH110XE60C	7620869
13ACXN036-230	TXV	35800	14	11	CH33-48	EL296UH090XV36C	7619454
13ACXN036-230	TXV	35600	14	11	CH33-48	EL296UH090XV48C	7619481
13ACXN036-230	TXV	33600	13.2	11	CH33-48	SL280UH090V60C	7619482
13ACXN036-230	TXV	33600	13.2	11	CH33-48	SL280UH090XV60C	7619457
13ACXN036-230	TXV	33400	13	11	CH33-48	SL280UH110V60C	7619483
13ACXN036-230	TXV	33400	13	11	CH33-48	SL280UH110XV60C	7619484
13ACXN036-230	TXV	35800	14	11	CH33-48	SLP98UH090XV36C	7619485
13ACXN036-230	TXV	35600	14	11	CH33-48	SLP98UH090XV48C	7619486
13ACXN036-230	TXV	36000	14	11	CH33-48	SLP98UH110XV60C	7619487
13ACXN036-230	TXV	35800	14	11	CH33-48C	EL195UH090XE48C	7619452
13ACXN036-230	TXV	36000	14	11	CH33-48C	EL195UH110XE60C	7619453
13ACXN036-230	TXV	33800	13	11	CH33-48C	SL280UH110XV60C	7619757
13ACXN036-230	TXV	36200	14	11	CH33-48C	SLP98UH090XV36C	7619758
13ACXN036-230	TXV	36000	14.5	12	CH33-48C	SLP98UH090XV48C	7619759
13ACXN036-230	TXV	36400	14.5	12	CH33-48C	SLP98UH110XV60C	7619760
13ACXN036-230	TXV	36400	14.5	12	CH33-50/60C	EL180UH090E60C	7620797
13ACXN036-230	TXV	36000	14.5	12	CH33-50/60C	EL180UH110E60C	7620876
13ACXN036-230	TXV	36000	14.5	12	CH33-50/60C	EL180UH110XE60C	7620683
13ACXN036-230	TXV	36200	14	11	CH33-50/60C	EL195UH090XE48C	7619488
13ACXN036-230	TXV	36400	14.5	12	CH33-50/60C	EL195UH110XE60C	7619489
13ACXN036-230	TXV	36200	14	12	CH33-50/60C	EL296UH090XV36C	7619490
13ACXN036-230	TXV	36000	14.5	12	CH33-50/60C	EL296UH090XV48C	7619491
13ACXN036-230	TXV	34000	13.2	11	CH33-50/60C	SL280UH090V60C	7619455
13ACXN036-230	TXV	33800	13	11	CH33-50/60C	SL280UH110V60C	7619456
13ACXN036-230	TXV	35600	13	11	CH33-50/60C		7619543
13ACXN036-230	TXV	35600	13	11	CH33-50/60C		7619756
13ACXN036-230	TXV	36000	14.5	12	CH35-42B	EL180UH070E36B	7623112
13ACXN036-230	TXV	36000	14.5	12	CH35-42B	EL180UH070XE36B	7623113
13ACXN036-230	TXV	36000	14.5	12	CH35-42B	EL180UH090E48B	7623115
13ACXN036-230	TXV	36000	14.5	12	CH35-42B	EL180UH090XE48B	7623116
13ACXN036-230	TXV	36000	13	11	CH35-42B	EL195UH045XE36B	7623102
13ACXN036-230	TXV	36000	14	11.5	CH35-42B	EL195UH070XE36B	7623103
13ACXN036-230	TXV	36000	13	11	CH35-42B	EL296UH045XE36B	7623107
13ACXN036-230	TXV	35800	14	11.5	CH35-42B	EL296UH045XV36B	7623105

NOTES:

TXV = Matched with Thermostatic Expansion Valve.

RFC = Matched with RFC metering device.

AHRI certified to AHRI Standard 210/240 (with 25 ft. of connecting refrigerant lines); 95°F outdoor air temperature, 80°F db / 67°F wb entering evaporator air.

All ratings include the use of a blower time delay relay (TDR). All Lennox variable-speed furnaces and Air Handlers have time delay capabilities. Other Furnaces and Air Handlers may require an optional time delay relay (**58M81**) for field installation. See furnace or air handler specifications to determine if relay is needed.

Also see Expansion Valve Kit Usage Table.

AHRI SYSTEM MATCHES - NORTH REGION

NOTE - For the latest up-to-date system matches please visit the AHRI web site at <http://www.ahridirectory.org>

Model No.	Expansion Device	Capacity	SEER	EER	Coil or Air Handler	Furnace	AHRI Reference
13ACXN036-230	TXV	36000	14	11.5	CH35-42B	EL296UH070XE36B	7623110
13ACXN036-230	TXV	36000	14	11.5	CH35-42B	EL296UH070XV36B	7623108
13ACXN036-230	TXV	36000	14.5	12	CH35-42B	SL280UH090V36B	7623118
13ACXN036-230	TXV	33400	13.5	11	CH35-42B	SL280UH090V48B	7623120
13ACXN036-230	TXV	33400	13.5	11	CH35-42B	SL280UH090XV48B	7623121
13ACXN036-230	TXV	36000	14.25	11.5	CH35-42B	SLP98UH070XV36B	7623123
13ACXN036-230	TXV	36000	13	11	CH35-42B		7623100
13ACXN036-230	TXV	36000	14.5	12	CH35-42C	EL180UH090E60C	7623134
13ACXN036-230	TXV	36000	14.5	12	CH35-42C	EL180UH110E60C	7623136
13ACXN036-230	TXV	36000	14.5	12	CH35-42C	EL180UH110XE60C	7623138
13ACXN036-230	TXV	36000	14.25	11.5	CH35-42C	EL195UH090XE48C	7623125
13ACXN036-230	TXV	36000	14.5	12	CH35-42C	EL195UH110XE60C	7623126
13ACXN036-230	TXV	36000	14.25	11.5	CH35-42C	EL296UH090XE48C	7623131
13ACXN036-230	TXV	36000	14.25	11.5	CH35-42C	EL296UH090XV36C	7623128
13ACXN036-230	TXV	35800	14.5	11.5	CH35-42C	EL296UH090XV48C	7623129
13ACXN036-230	TXV	36000	14.5	12	CH35-42C	EL296UH110XE60C	7623133
13ACXN036-230	TXV	33400	13.2	11	CH35-42C	SL280UH090V60C	7623139
13ACXN036-230	TXV	33400	13.2	11	CH35-42C	SL280UH090XV60C	7623141
13ACXN036-230	TXV	33400	13	11	CH35-42C	SL280UH110V60C	7623142
13ACXN036-230	TXV	33400	13	11	CH35-42C	SL280UH110XV60C	7623144
13ACXN036-230	TXV	36000	14.25	11.5	CH35-42C	SLP98UH090XV36C	7623146
13ACXN036-230	TXV	35800	14.5	11.5	CH35-42C	SLP98UH090XV48C	7623147
13ACXN036-230	TXV	36000	14.5	12	CH35-42C	SLP98UH110XV60C	7623149
13ACXN036-230	TXV	35600	14.25	11.5	CH35-48B	EL180UH070E36B	7623162
13ACXN036-230	TXV	35600	14.25	11.5	CH35-48B	EL180UH070XE36B	7623164
13ACXN036-230	TXV	35600	14	11.5	CH35-48B	EL180UH090E48B	7623165
13ACXN036-230	TXV	35600	14	11.5	CH35-48B	EL180UH090XE48B	7623167
13ACXN036-230	TXV	35400	13	11	CH35-48B	EL195UH045XE36B	7623152
13ACXN036-230	TXV	35400	13	11.5	CH35-48B	EL195UH070XE36B	7623156
13ACXN036-230	TXV	35400	13	11	CH35-48B	EL296UH045XE36B	7623154
13ACXN036-230	TXV	35400	13	11.5	CH35-48B	EL296UH045XV36B	7623159
13ACXN036-230	TXV	35400	13	11.5	CH35-48B	EL296UH070XE36B	7623157
13ACXN036-230	TXV	35400	13	11.5	CH35-48B	EL296UH070XV36B	7623160
13ACXN036-230	TXV	35800	14.25	12	CH35-48B	SL280UH090V36B	7623169
13ACXN036-230	TXV	33200	13	11	CH35-48B	SL280UH090V48B	7623170
13ACXN036-230	TXV	33200	13	11	CH35-48B	SL280UH090XV48B	7623172
13ACXN036-230	TXV	35400	13	11.5	CH35-48B	SLP98UH070XV36B	7623174
13ACXN036-230	TXV	35200	13	11	CH35-48B		7623151
13ACXN036-230	TXV	36000	14.5	12	CH35-48C	EL180UH090E60C	7623187
13ACXN036-230	TXV	35800	14.5	12	CH35-48C	EL180UH110E60C	7623188
13ACXN036-230	TXV	35800	14.5	12	CH35-48C	EL180UH110XE60C	7623190
13ACXN036-230	TXV	35800	14.25	11.5	CH35-48C	EL195UH090XE48C	7623177
13ACXN036-230	TXV	36000	14.25	12	CH35-48C	EL195UH110XE60C	7623179
13ACXN036-230	TXV	35800	14.25	11.5	CH35-48C	EL296UH090XE48C	7623183
13ACXN036-230	TXV	36000	14.25	11.5	CH35-48C	EL296UH090XV36C	7623180
13ACXN036-230	TXV	35800	14.25	12	CH35-48C	EL296UH090XV48C	7623182
13ACXN036-230	TXV	36000	14.25	12	CH35-48C	EL296UH110XE60C	7623185
13ACXN036-230	TXV	33400	13.5	11	CH35-48C	SL280UH090V60C	7623192
13ACXN036-230	TXV	33400	13.5	11	CH35-48C	SL280UH090XV60C	7623193

NOTES:

TXV = Matched with Thermostatic Expansion Valve.

RFC = Matched with RFC metering device.

AHRI certified to AHRI Standard 210/240 (with 25 ft. of connecting refrigerant lines); 95°F outdoor air temperature, 80°F db / 67°F wb entering evaporator air.

All ratings include the use of a blower time delay relay (TDR). All Lennox variable-speed furnaces and Air Handlers have time delay capabilities. Other Furnaces and Air Handlers may require an optional time delay relay (**58M81**) for field installation. See furnace or air handler specifications to determine if relay is needed.

Also see Expansion Valve Kit Usage Table.

AHRI SYSTEM MATCHES - NORTH REGION

NOTE - For the latest up-to-date system matches please visit the AHRI web site at <http://www.ahridirectory.org>

Model No.	Expansion Device	Capacity	SEER	EER	Coil or Air Handler	Furnace	AHRI Reference
13ACXN036-230	TXV	33400	13	11	CH35-48C	SL280UH110V60C	7623195
13ACXN036-230	TXV	33400	13	11	CH35-48C	SL280UH110XV60C	7623197
13ACXN036-230	TXV	36000	14.25	11.5	CH35-48C	SLP98UH090XV36C	7623198
13ACXN036-230	TXV	35800	14.25	12	CH35-48C	SLP98UH090XV48C	7623200
13ACXN036-230	TXV	36000	14.25	12	CH35-48C	SLP98UH110XV60C	7623201
13ACXN036-230	TXV	35400	13	11	CH35-48C		7623175
13ACXN036-230	TXV	36000	14.5	12.2	CH35-51C	EL180UH090E60C	7623215
13ACXN036-230	TXV	36000	14.5	12.2	CH35-51C	EL180UH110E60C	7623217
13ACXN036-230	TXV	36000	14.5	12.2	CH35-51C	EL180UH110XE60C	7623218
13ACXN036-230	TXV	36000	14.5	12	CH35-51C	EL195UH090XE48C	7623205
13ACXN036-230	TXV	36000	14.5	12	CH35-51C	EL195UH110XE60C	7623208
13ACXN036-230	TXV	36000	14.5	12	CH35-51C	EL296UH090XE48C	7623206
13ACXN036-230	TXV	36000	14.5	12	CH35-51C	EL296UH090XV36C	7623211
13ACXN036-230	TXV	36000	14.5	12	CH35-51C	EL296UH090XV48C	7623213
13ACXN036-230	TXV	36000	14.5	12	CH35-51C	EL296UH110XE60C	7623210
13ACXN036-230	TXV	33400	13.5	11	CH35-51C	SL280UH090V60C	7623220
13ACXN036-230	TXV	33400	13.5	11	CH35-51C	SL280UH090XV60C	7623222
13ACXN036-230	TXV	33400	13.2	11	CH35-51C	SL280UH110V60C	7623223
13ACXN036-230	TXV	33400	13.2	11	CH35-51C	SL280UH110XV60C	7623225
13ACXN036-230	TXV	36000	14.5	12	CH35-51C	SLP98UH090XV36C	7623227
13ACXN036-230	TXV	36000	14.5	12	CH35-51C	SLP98UH090XV48C	7623229
13ACXN036-230	TXV	36000	14.5	12	CH35-51C	SLP98UH110XV60C	7623230
13ACXN036-230	TXV	35800	13	11	CH35-51C		7623203
13ACXN036-230	TXV	35200	14	11	CR33-48	EL180DF070E36B	7620308
13ACXN036-230	TXV	35200	14	11	CR33-48	EL180DF090E48B	7619791
13ACXN036-230	TXV	35600	14	11	CR33-48	EL180DF110E60C	7619796
13ACXN036-230	TXV	35400	14	11	CR33-48	EL195DF110XE60C	7619459
13ACXN036-230	TXV	33000	13	11	CR33-48	SL280DF110V60C	7619542
13ACXN036-230	TXV	32800	13	11	CR33-48B	SL280DF090V48B	7619458
13ACXN036-230	TXV	36000	14	11	CR33-50/60	EL180DF110E60C	7619797
13ACXN036-230	TXV	35800	14	11	CR33-50/60	EL195DF090XE48C	7619461
13ACXN036-230	TXV	35800	14	11	CR33-50/60	EL296DF090XE48C	7619536
13ACXN036-230	TXV	35800	14	11	CR33-50/60	EL296DF090XV60C	7619462
13ACXN036-230	TXV	33200	13	11	CR33-50/60	SL280DF110V60C	7619463
13ACXN036-230	TXV	35800	14	11	CR33-50/60	SLP98DF090XV48C	7619464
13ACXN036-230	TXV	35200	13	11	CX35-30A	EL180UH045E36A	8266619
13ACXN036-230	TXV	35200	13	11	CX35-30A	EL180UH045XE36A	8266618
13ACXN036-230	TXV	35000	13	11	CX35-30A	SL280UH070V36A	8266621
13ACXN036-230	TXV	35000	13	11	CX35-30A	SL280UH070XV36A	8266622
13ACXN036-230	TXV	35000	14	11	CX35-30B	EL180UH070E36B	8266630
13ACXN036-230	TXV	35000	14	11	CX35-30B	EL180UH070XE36B	8266628
13ACXN036-230	TXV	35200	14	11	CX35-30B	EL180UH090E48B	8266629
13ACXN036-230	TXV	35200	14	11	CX35-30B	EL180UH090XE48B	8266632
13ACXN036-230	TXV	35000	13	11	CX35-30B	EL195UH045E36B	8266637
13ACXN036-230	TXV	34800	13	11	CX35-30B	EL195UH070XE36B	8266638
13ACXN036-230	TXV	34800	13	11	CX35-30B	EL296UH045XV36B	8266639
13ACXN036-230	TXV	35000	13	11	CX35-30B	EL296UH070XV36B	8266640
13ACXN036-230	TXV	35200	14	11	CX35-30B	SL280UH090V36B	8266641
13ACXN036-230	TXV	35000	13	11	CX35-30B	SLP98UH070XV36B	8266642

NOTES:

TXV = Matched with Thermostatic Expansion Valve.

RFC = Matched with RFC metering device.

AHRI certified to AHRI Standard 210/240 (with 25 ft. of connecting refrigerant lines); 95°F outdoor air temperature, 80°F db / 67°F wb entering evaporator air.

All ratings include the use of a blower time delay relay (TDR). All Lennox variable-speed furnaces and Air Handlers have time delay capabilities. Other Furnaces and Air Handlers may require an optional time delay relay (**58M81**) for field installation. See furnace or air handler specifications to determine if relay is needed.

Also see Expansion Valve Kit Usage Table.

AHRI SYSTEM MATCHES - NORTH REGION

NOTE - For the latest up-to-date system matches please visit the AHRI web site at <http://www.ahridirectory.org>

Model No.	Expansion Device	Capacity	SEER	EER	Coil or Air Handler	Furnace	AHRI Reference
13ACXN036-230	TXV	35200	14	11	CX35-36A	SL280UH070V36A	8266707
13ACXN036-230	TXV	35200	14	11	CX35-36A	SL280UH070XV36A	8266708
13ACXN036-230	TXV	35000	13	10.7	CX35-36A		8266701
13ACXN036-230	TXV	35600	14.5	12	CX35-36B	EL180UH070E36B	8266717
13ACXN036-230	TXV	35600	14.5	12	CX35-36B	EL180UH070XE36B	8266715
13ACXN036-230	TXV	35800	14	11	CX35-36B	EL180UH090E48B	8266716
13ACXN036-230	TXV	35800	14	11	CX35-36B	EL180UH090XE48B	8266719
13ACXN036-230	TXV	35400	14	11	CX35-36B	EL195UH070XE36B	8266727
13ACXN036-230	TXV	35200	14	11	CX35-36B	EL296UH045XV36B	8266728
13ACXN036-230	TXV	35400	14	11	CX35-36B	EL296UH070XV36B	8266729
13ACXN036-230	TXV	35600	14	11	CX35-36B	SL280UH090V36B	8266723
13ACXN036-230	TXV	33200	13	11	CX35-36B	SL280UH090V48B	8266724
13ACXN036-230	TXV	33200	13	11	CX35-36B	SL280UH090XV48B	8266725
13ACXN036-230	TXV	35400	14	11	CX35-36B	SLP98UH070XV36B	8266726
13ACXN036-230	TXV	35000	13	10.7	CX35-36B		8269492
13ACXN036-230	TXV	35800	14.5	12	CX35-48B	EL180UH070E36B	8266751
13ACXN036-230	TXV	35800	14.5	12	CX35-48B	EL180UH070XE36B	8266753
13ACXN036-230	TXV	36000	14	11	CX35-48B	EL180UH090E48B	8266775
13ACXN036-230	TXV	36000	14	11	CX35-48B	EL180UH090XE48B	8266752
13ACXN036-230	TXV	35600	14	11	CX35-48B	EL195UH070XE36B	8266749
13ACXN036-230	TXV	35600	14	11	CX35-48B	EL296UH070XE36B	8266764
13ACXN036-230	TXV	35600	14	11	CX35-48B	EL296UH070XV36B	8266750
13ACXN036-230	TXV	35800	14.5	12	CX35-48B	SL280UH090V36B	8266760
13ACXN036-230	TXV	33400	13.5	11	CX35-48B	SL280UH090V48B	8266761
13ACXN036-230	TXV	33400	13.5	11	CX35-48B	SL280UH090XV48B	8266762
13ACXN036-230	TXV	35600	14	11	CX35-48B	SLP98UH070XV36B	8266763
13ACXN036-230	TXV	35400	13	11	CX35-48B		8269493
13ACXN036-230	TXV	36000	14.5	12	CX35-48C	EL180UH090E60C	8266782
13ACXN036-230	TXV	35800	14.5	12	CX35-48C	EL180UH110E60C	8266783
13ACXN036-230	TXV	35800	14.5	12	CX35-48C	EL180UH110XE60C	8266787
13ACXN036-230	TXV	35800	14	11	CX35-48C	EL195UH090XE48C	8266788
13ACXN036-230	TXV	36000	14	11	CX35-48C	EL195UH110XE60C	8266789
13ACXN036-230	TXV	35800	14	11	CX35-48C	EL296UH090XE48C	8266799
13ACXN036-230	TXV	35800	14	11	CX35-48C	EL296UH090XV36C	8266790
13ACXN036-230	TXV	35800	14	11	CX35-48C	EL296UH090XV48C	8266791
13ACXN036-230	TXV	36000	14	11	CX35-48C	EL296UH110XE60C	8266800
13ACXN036-230	TXV	33800	13.2	11	CX35-48C	SL280UH090V60C	8266792
13ACXN036-230	TXV	33800	13.2	11	CX35-48C	SL280UH090XV60C	8266794
13ACXN036-230	TXV	33600	13	11	CX35-48C	SL280UH110V60C	8266793
13ACXN036-230	TXV	33600	13	11	CX35-48C	SL280UH110XV60C	8266795
13ACXN036-230	TXV	35800	14	11	CX35-48C	SLP98UH090XV36C	8266796
13ACXN036-230	TXV	35800	14	11	CX35-48C	SLP98UH090XV48C	8266797
13ACXN036-230	TXV	36200	14.5	12	CX35-48C	SLP98UH110XV60C	8266798
13ACXN036-230	TXV	35400	13	11	CX35-48C		8266776
13ACXN036-230	TXV	36000	14.5	12	CX35-50/60C	EL180UH090E60C	8266860
13ACXN036-230	TXV	35600	14	11	CX35-50/60C	EL180UH110E60C	8266861
13ACXN036-230	TXV	35600	14	11	CX35-50/60C	EL180UH110XE60C	8266859
13ACXN036-230	TXV	35800	14	11	CX35-50/60C	EL195UH090XE48C	8266862
13ACXN036-230	TXV	36000	14	11	CX35-50/60C	EL195UH110XE60C	8266863

NOTES:

TXV = Matched with Thermostatic Expansion Valve.

RFC = Matched with RFC metering device.

AHRI certified to AHRI Standard 210/240 (with 25 ft. of connecting refrigerant lines); 95°F outdoor air temperature, 80°F db / 67°F wb entering evaporator air.

All ratings include the use of a blower time delay relay (TDR). All Lennox variable-speed furnaces and Air Handlers have time delay capabilities. Other Furnaces and Air Handlers may require an optional time delay relay (**58M81**) for field installation. See furnace or air handler specifications to determine if relay is needed.

Also see Expansion Valve Kit Usage Table.

AHRI SYSTEM MATCHES - NORTH REGION

NOTE - For the latest up-to-date system matches please visit the AHRI web site at <http://www.ahridirectory.org>

Model No.	Expansion Device	Capacity	SEER	EER	Coil or Air Handler	Furnace	AHRI Reference
13ACXN036-230	TXV	35800	14	11	CX35-50/60C	EL296UH090XE48C	8266857
13ACXN036-230	TXV	35800	14	11	CX35-50/60C	EL296UH090XV36C	8266864
13ACXN036-230	TXV	35600	14	11	CX35-50/60C	EL296UH090XV48C	8266865
13ACXN036-230	TXV	36000	14	11	CX35-50/60C	EL296UH110XE60C	8266858
13ACXN036-230	TXV	33600	13.2	11	CX35-50/60C	SL280UH090V60C	8266866
13ACXN036-230	TXV	33600	13.2	11	CX35-50/60C	SL280UH090XV60C	8266868
13ACXN036-230	TXV	33400	13	11	CX35-50/60C	SL280UH110V60C	8266867
13ACXN036-230	TXV	33400	13	11	CX35-50/60C	SL280UH110XV60C	8266869
13ACXN036-230	TXV	35800	14	11	CX35-50/60C	SLP98UH090XV36C	8266870
13ACXN036-230	TXV	35600	14	11	CX35-50/60C	SLP98UH090XV48C	8266871
13ACXN036-230	TXV	36000	14	11	CX35-50/60C	SLP98UH110XV60C	8266872
13ACXN036-230	TXV	35200	13	11	CX35-50/60C		8266851
13ACXN036-230	TXV	35000	13	10.7	CX38-38B		10545820
13ACXN042-230	RFC	40000	13	10.7	C35-49C		8630634
13ACXN042-230	RFC	40000	13	10.7	C35-60C		8630636
13ACXN042-230	RFC	41500	13	11	CH33-43		7617834
13ACXN042-230	RFC	41500	13	11	CH33-48		7617843
13ACXN042-230	RFC	42000	13	11	CH33-49		7617844
13ACXN042-230	RFC	42000	13	11	CH33-50/60C		7617853
13ACXN042-230	TXV	41500	13	11	C35-36B	EL180UH090E48B	8269526
13ACXN042-230	TXV	41500	13	11	C35-36B	EL180UH090XE48B	8269527
13ACXN042-230	TXV	41000	13	11	C35-36B	EL296UH070XV36B	8269528
13ACXN042-230	TXV	41000	13	11	C35-36B	SL280UH090V48B	8269530
13ACXN042-230	TXV	41000	13	11	C35-36B	SL280UH090XV48B	8269529
13ACXN042-230	TXV	41000	13	11	C35-36B	SLP98UH070XV36B	8269531
13ACXN042-230	TXV	41000	13	11	C35-36B		8267059
13ACXN042-230	TXV	42000	14	11.5	C35-48B	EL180UH090E48B	8267139
13ACXN042-230	TXV	42000	14	11.5	C35-48B	EL180UH090XE48B	8267144
13ACXN042-230	TXV	41000	13	11	C35-48B	EL296UH070XV36B	8269538
13ACXN042-230	TXV	41500	14	11	C35-48B	SL280UH090V48B	8269540
13ACXN042-230	TXV	41500	14	11	C35-48B	SL280UH090XV48B	8269539
13ACXN042-230	TXV	41000	13	11	C35-48B	SLP98UH070XV36B	8269541
13ACXN042-230	TXV	41500	13	11	C35-48B		8267099
13ACXN042-230	TXV	41500	14	11.5	C35-48C	CBWMV-60C-100	8269535
13ACXN042-230	TXV	41500	14	11.5	C35-48C	CBWMV-60C-120	8269534
13ACXN042-230	TXV	42000	14	11.5	C35-48C	EL180UH090E60C	8267109
13ACXN042-230	TXV	41500	14	11.5	C35-48C	EL180UH110E60C	8267105
13ACXN042-230	TXV	41500	14	11.5	C35-48C	EL180UH110XE60C	8267107
13ACXN042-230	TXV	41500	14	11.5	C35-48C	EL195UH090XE48C	8267128
13ACXN042-230	TXV	42000	14	11.5	C35-48C	EL195UH110XE60C	8267129
13ACXN042-230	TXV	41500	14	11.5	C35-48C	EL296UH090XE48C	8267124
13ACXN042-230	TXV	41500	13	11.5	C35-48C	EL296UH090XV36C	8269533
13ACXN042-230	TXV	41500	14	11.5	C35-48C	EL296UH090XV48C	8267130
13ACXN042-230	TXV	42000	14	11.5	C35-48C	EL296UH090XV60C	8267131
13ACXN042-230	TXV	42000	14	11.5	C35-48C	EL296UH110XE60C	8267125
13ACXN042-230	TXV	42000	14	11.5	C35-48C	EL296UH110XV48C	8267127
13ACXN042-230	TXV	42000	14	11.5	C35-48C	EL296UH110XV60C	8267132
13ACXN042-230	TXV	41500	14.25	11.5	C35-48C	SL280UH090V60C	8267135
13ACXN042-230	TXV	41500	14.25	11.5	C35-48C	SL280UH090XV60C	8267136

NOTES:

TXV = Matched with Thermostatic Expansion Valve.

RFC = Matched with RFC metering device.

AHRI certified to AHRI Standard 210/240 (with 25 ft. of connecting refrigerant lines); 95°F outdoor air temperature, 80°F db / 67°F wb entering evaporator air.

All ratings include the use of a blower time delay relay (TDR). All Lennox variable-speed furnaces and Air Handlers have time delay capabilities. Other Furnaces and Air Handlers may require an optional time delay relay (**58M81**) for field installation. See furnace or air handler specifications to determine if relay is needed.

Also see Expansion Valve Kit Usage Table.

AHRI SYSTEM MATCHES - NORTH REGION

NOTE - For the latest up-to-date system matches please visit the AHRI web site at <http://www.ahridirectory.org>

Model No.	Expansion Device	Capacity	SEER	EER	Coil or Air Handler	Furnace	AHRI Reference
13ACXN042-230	TXV	41500	14.25	11.5	C35-48C	SL280UH110V60C	8267137
13ACXN042-230	TXV	41500	14.25	11.5	C35-48C	SL280UH110XV60C	8267138
13ACXN042-230	TXV	42000	14	11.5	C35-48C	SLO185B124/141V60	8267104
13ACXN042-230	TXV	42000	14	11.5	C35-48C	SLO185UF124/141V60	8267103
13ACXN042-230	TXV	41500	13	11.5	C35-48C	SLP98UH090XV36C	8269537
13ACXN042-230	TXV	41500	14	11.5	C35-48C	SLP98UH090XV48C	8267133
13ACXN042-230	TXV	41500	14	11.5	C35-48C	SLP98UH090XV60C	8269536
13ACXN042-230	TXV	41500	14	11.5	C35-48C	SLP98UH110XV60C	8267134
13ACXN042-230	TXV	41000	13	11	C35-48C		8269532
13ACXN042-230	TXV	42000	14	11.5	C35-49C	CBWMV-60C-100	8269543
13ACXN042-230	TXV	42000	14	11.5	C35-49C	CBWMV-60C-120	8269544
13ACXN042-230	TXV	42000	14	11.5	C35-49C	EL180UH090E60C	8267178
13ACXN042-230	TXV	42000	14	11.5	C35-49C	EL180UH110E60C	8267175
13ACXN042-230	TXV	42000	14	11.5	C35-49C	EL180UH110XE60C	8267176
13ACXN042-230	TXV	41500	14	11.5	C35-49C	EL195UH090XE48C	8267186
13ACXN042-230	TXV	42000	14	11.5	C35-49C	EL195UH110XE60C	8267187
13ACXN042-230	TXV	41500	14	11.5	C35-49C	EL296UH090XE48C	8267183
13ACXN042-230	TXV	41500	14	11.5	C35-49C	EL296UH090XV36C	8269542
13ACXN042-230	TXV	42000	14	11.5	C35-49C	EL296UH090XV48C	8267188
13ACXN042-230	TXV	42000	14	11.5	C35-49C	EL296UH090XV60C	8267189
13ACXN042-230	TXV	42000	14	11.5	C35-49C	EL296UH110XE60C	8267184
13ACXN042-230	TXV	42000	14	11.5	C35-49C	EL296UH110XV48C	8267190
13ACXN042-230	TXV	42000	14	11.5	C35-49C	EL296UH110XV60C	8267191
13ACXN042-230	TXV	42000	14	11.5	C35-49C	SL280UH090V60C	8267196
13ACXN042-230	TXV	42000	14	11.5	C35-49C	SL280UH090XV60C	8267198
13ACXN042-230	TXV	42000	14	11.5	C35-49C	SL280UH110V60C	8267197
13ACXN042-230	TXV	42000	14	11.5	C35-49C	SL280UH110XV60C	8267199
13ACXN042-230	TXV	42000	14	11.5	C35-49C	SLO185B124/141V60	8267173
13ACXN042-230	TXV	42000	14	11.5	C35-49C	SLO185UF124/141V60	8267172
13ACXN042-230	TXV	41500	14	11.5	C35-49C	SLP98UH090XV36C	8267192
13ACXN042-230	TXV	42000	14	11.5	C35-49C	SLP98UH090XV48C	8267193
13ACXN042-230	TXV	42000	14	11.5	C35-49C	SLP98UH090XV60C	8267194
13ACXN042-230	TXV	42000	14	11.5	C35-49C	SLP98UH110XV60C	8267195
13ACXN042-230	TXV	42000	13	11	C35-49C		8267169
13ACXN042-230	TXV	41500	13.5	11.5	C35-50/60C	CBWMV-60C-100	8269559
13ACXN042-230	TXV	41500	13.5	11.5	C35-50/60C	CBWMV-60C-120	8269560
13ACXN042-230	TXV	41500	14	11.5	C35-50/60C	EL180UH090E60C	8267209
13ACXN042-230	TXV	41000	14	11.5	C35-50/60C	EL180UH110E60C	8267206
13ACXN042-230	TXV	41000	14	11.5	C35-50/60C	EL180UH110XE60C	8267207
13ACXN042-230	TXV	41000	13	11.5	C35-50/60C	EL195UH090XE48C	8269553
13ACXN042-230	TXV	41500	13	11.5	C35-50/60C	EL195UH110XE60C	8269554
13ACXN042-230	TXV	41000	13	11.5	C35-50/60C	EL296UH090XE48C	8269551
13ACXN042-230	TXV	41000	13	11.5	C35-50/60C	EL296UH090XV36C	8269545
13ACXN042-230	TXV	41500	13	11.5	C35-50/60C	EL296UH090XV48C	8269546
13ACXN042-230	TXV	41000	13	11.5	C35-50/60C	EL296UH090XV60C	8269547
13ACXN042-230	TXV	41500	13	11.5	C35-50/60C	EL296UH110XE60C	8269552
13ACXN042-230	TXV	41500	13	11.5	C35-50/60C	EL296UH110XV60C	8269548
13ACXN042-230	TXV	41500	13	11.5	C35-50/60C	SL280UH090V60C	8269557
13ACXN042-230	TXV	41500	13	11.5	C35-50/60C	SL280UH090XV60C	8269555

NOTES:

TXV = Matched with Thermostatic Expansion Valve.

RFC = Matched with RFC metering device.

AHRI certified to AHRI Standard 210/240 (with 25 ft. of connecting refrigerant lines); 95°F outdoor air temperature, 80°F db / 67°F wb entering evaporator air.

All ratings include the use of a blower time delay relay (TDR). All Lennox variable-speed furnaces and Air Handlers have time delay capabilities. Other Furnaces and Air Handlers may require an optional time delay relay (**58M81**) for field installation. See furnace or air handler specifications to determine if relay is needed.

Also see Expansion Valve Kit Usage Table.

AHRI SYSTEM MATCHES - NORTH REGION

NOTE - For the latest up-to-date system matches please visit the AHRI web site at <http://www.ahridirectory.org>

Model No.	Expansion Device	Capacity	SEER	EER	Coil or Air Handler	Furnace	AHRI Reference
13ACXN042-230	TXV	41000	13	11.5	C35-50/60C	SL280UH110V60C	8269558
13ACXN042-230	TXV	41000	13	11.5	C35-50/60C	SL280UH110XV60C	8269556
13ACXN042-230	TXV	41000	13	11	C35-50/60C	SLO185B124/141V60	8269549
13ACXN042-230	TXV	41500	13	11	C35-50/60C	SLO185UF124/141V60	8269550
13ACXN042-230	TXV	41000	13	11.5	C35-50/60C	SLP98UH090XV36C	8267224
13ACXN042-230	TXV	41000	13	11.5	C35-50/60C	SLP98UH090XV48C	8267225
13ACXN042-230	TXV	41500	13	11.5	C35-50/60C	SLP98UH090XV60C	8267226
13ACXN042-230	TXV	41000	13	11.5	C35-50/60C	SLP98UH110XV60C	8267227
13ACXN042-230	TXV	41000	13	10.5	C35-50/60C		8267202
13ACXN042-230	TXV	42000	14.5	12	C35-60C	EL180UH090E60C	8267237
13ACXN042-230	TXV	42000	14.5	12	C35-60C	EL180UH110E60C	8267234
13ACXN042-230	TXV	42000	14.5	12	C35-60C	EL180UH110XE60C	8267235
13ACXN042-230	TXV	42000	14	12	C35-60C	EL195UH090XE48C	8267257
13ACXN042-230	TXV	42000	14	12	C35-60C	EL195UH110XE60C	8267258
13ACXN042-230	TXV	42000	14	12	C35-60C	EL296UH090XE48C	8267252
13ACXN042-230	TXV	42000	14	12	C35-60C	EL296UH090XV48C	8267259
13ACXN042-230	TXV	42000	14.5	12	C35-60C	EL296UH090XV60C	8267260
13ACXN042-230	TXV	42000	14	12	C35-60C	EL296UH110XE60C	8267253
13ACXN042-230	TXV	42000	14.5	12	C35-60C	EL296UH110XV48C	8267256
13ACXN042-230	TXV	42000	14.5	12	C35-60C	EL296UH110XV60C	8267261
13ACXN042-230	TXV	42000	14.5	12	C35-60C	SL280UH090V60C	8267262
13ACXN042-230	TXV	42000	14.5	12	C35-60C	SL280UH090XV60C	8267264
13ACXN042-230	TXV	42000	14.5	12	C35-60C	SL280UH110V60C	8267263
13ACXN042-230	TXV	42000	14.5	12	C35-60C	SL280UH110XV60C	8267265
13ACXN042-230	TXV	42000	14.5	12	C35-60C	SLO185B124/141V60	8267232
13ACXN042-230	TXV	42000	14.5	12	C35-60C	SLO185UF124/141V60	8267231
13ACXN042-230	TXV	42000	14	11.5	C35-60C	SLP98UH090XV36C	8267266
13ACXN042-230	TXV	42000	14	12	C35-60C	SLP98UH090XV48C	8267267
13ACXN042-230	TXV	42000	14.5	12	C35-60C	SLP98UH090XV60C	8267268
13ACXN042-230	TXV	42000	14.5	12	C35-60C	SLP98UH110XV60C	8267269
13ACXN042-230	TXV	41500	13	11	C35-60C		8267228
13ACXN042-230	TXV	42000	14.5	11.5	C35-60D	SLO185B124/141V60	8267273
13ACXN042-230	TXV	42000	14.5	11.5	C35-60D	SLO185UF124/141V60	8267272
13ACXN042-230	TXV	41500	13	11	C35-60D		9542724
13ACXN042-230	TXV	42000	14	11.5	CBA27UHE-042		10259467
13ACXN042-230	TXV	42000	14	11.5	CBA27UHE-048		10259468
13ACXN042-230	TXV	41500	13	11	CBX25UH-042		7619779
13ACXN042-230	TXV	42000	14.5	12	CBX25UHV-042		7622697
13ACXN042-230	TXV	42000	14	11.5	CBX27UH-042		10259455
13ACXN042-230	TXV	42000	14	11.5	CBX27UH-042		7617818
13ACXN042-230	TXV	42000	14	11.5	CBX27UH-048		10259456
13ACXN042-230	TXV	42000	14	11.5	CBX27UH-048		7617819
13ACXN042-230	TXV	40500	13	11	CBX32M-036		7617820
13ACXN042-230	TXV	40500	13	11	CBX32M-042		7617821
13ACXN042-230	TXV	41500	13	11	CBX32M-048		7617822
13ACXN042-230	TXV	42000	14	11	CBX32MV-048		7617932
13ACXN042-230	TXV	42000	13	11	CBX40UHV-042		7617823
13ACXN042-230	TXV	42000	14	11	CBX40UHV-048		7617933
13ACXN042-230	TXV	41000	13	11	CH23-41	EL180UH090E48B	7620403

NOTES:

TXV = Matched with Thermostatic Expansion Valve.

RFC = Matched with RFC metering device.

AHRI certified to AHRI Standard 210/240 (with 25 ft. of connecting refrigerant lines); 95°F outdoor air temperature, 80°F db / 67°F wb entering evaporator air.

All ratings include the use of a blower time delay relay (TDR). All Lennox variable-speed furnaces and Air Handlers have time delay capabilities. Other Furnaces and Air Handlers may require an optional time delay relay (**58M81**) for field installation. See furnace or air handler specifications to determine if relay is needed.

Also see Expansion Valve Kit Usage Table.

AHRI SYSTEM MATCHES - NORTH REGION

NOTE - For the latest up-to-date system matches please visit the AHRI web site at <http://www.ahridirectory.org>

Model No.	Expansion Device	Capacity	SEER	EER	Coil or Air Handler	Furnace	AHRI Reference
13ACXN042-230	TXV	41000	13	11	CH23-41	EL180UH090E60C	7620738
13ACXN042-230	TXV	40500	13	11	CH23-41	EL180UH110E60C	7620481
13ACXN042-230	TXV	41000	13	11	CH23-51	EL180UH090E48B	7620404
13ACXN042-230	TXV	41000	14	11	CH23-51	EL180UH090E60C	7620755
13ACXN042-230	TXV	41000	13	11	CH23-51	EL180UH110E60C	7620482
13ACXN042-230	TXV	41000	13	11	CH23-51	EL296UH110XV48C	7617824
13ACXN042-230	TXV	41500	14	11.5	CH23-65	EL180UH090E60C	7620739
13ACXN042-230	TXV	41000	13	11	CH23-65	EL195UH090XE48C	7617825
13ACXN042-230	TXV	41500	13	11	CH23-65	EL195UH110XE60C	7617826
13ACXN042-230	TXV	41000	13	11	CH23-65	EL296UH090XE48C	7619206
13ACXN042-230	TXV	41000	13	11	CH23-65	EL296UH090XV48C	7617827
13ACXN042-230	TXV	41000	14	11	CH23-65	EL296UH090XV60C	7617915
13ACXN042-230	TXV	41500	13	11	CH23-65	EL296UH110XE60C	7619207
13ACXN042-230	TXV	41500	14	11	CH23-65	EL296UH110XV60C	7617916
13ACXN042-230	TXV	41500	14	11.5	CH23-65	SL280UH090V60C	7617917
13ACXN042-230	TXV	41000	14	11	CH23-65	SL280UH110V60C	7617918
13ACXN042-230	TXV	42000	14	11.5	CH33-43	EL180UH090E60C	7620741
13ACXN042-230	TXV	42000	14	11.5	CH33-43	EL180UH110E60C	7620483
13ACXN042-230	TXV	42000	14	11.5	CH33-43	EL296UH090XV48C	7617836
13ACXN042-230	TXV	42000	14	11.5	CH33-43	EL296UH090XV60C	7617837
13ACXN042-230	TXV	42500	14	11.5	CH33-43	EL296UH110XV60C	7617934
13ACXN042-230	TXV	42500	14	11.5	CH33-43	SL280UH090V60C	7617919
13ACXN042-230	TXV	42000	14	11.5	CH33-43	SL280UH110V60C	7617920
13ACXN042-230	TXV	42000	14	11.5	CH33-43	SLP98UH090XV48C	7617839
13ACXN042-230	TXV	42500	14	11.5	CH33-43	SLP98UH090XV60C	7617840
13ACXN042-230	TXV	42000	14	11.5	CH33-43	SLP98UH110XV60C	7617841
13ACXN042-230	TXV	42500	14	11.5	CH33-43B	EL180UH090E48B	7620405
13ACXN042-230	TXV	42500	14	11.5	CH33-43B	SL280UH090V36B	7617832
13ACXN042-230	TXV	42500	14	11.5	CH33-43B	SL280UH090V48B	7617833
13ACXN042-230	TXV	42000	14	11.5	CH33-43C	EL195UH090XE48C	7617835
13ACXN042-230	TXV	42000	14	11.5	CH33-43C	EL296UH090XE48C	7619208
13ACXN042-230	TXV	42500	14	11.5	CH33-43C	EL296UH110XV48C	7617838
13ACXN042-230	TXV	42000	14	11	CH33-44/48B	EL180UH090E48B	7620255
13ACXN042-230	TXV	41000	13	11	CH33-44/48B	EL296UH045XV36B	7617842
13ACXN042-230	TXV	41500	13	11	CH33-44/48B	EL296UH070XV36B	7621859
13ACXN042-230	TXV	41500	14	11.5	CH33-48	EL180UH090E60C	7620742
13ACXN042-230	TXV	41500	14	11.5	CH33-48	EL180UH110E60C	7620484
13ACXN042-230	TXV	42500	14	11.5	CH33-49	EL180UH090E60C	7620744
13ACXN042-230	TXV	42500	14	11.5	CH33-49	EL180UH110E60C	7620485
13ACXN042-230	TXV	42000	14	11.5	CH33-49	EL195UH090XE48C	7617845
13ACXN042-230	TXV	43000	14	11.5	CH33-49	EL195UH110XE60C	7617846
13ACXN042-230	TXV	42000	14	11.5	CH33-49	EL296UH090XE48C	7619209
13ACXN042-230	TXV	42500	14	11.5	CH33-49	EL296UH090XV48C	7617847
13ACXN042-230	TXV	42500	14	11.5	CH33-49	EL296UH090XV60C	7617848
13ACXN042-230	TXV	43000	14	11.5	CH33-49	EL296UH110XE60C	7619210
13ACXN042-230	TXV	42500	14	11.5	CH33-49	EL296UH110XV48C	7617849
13ACXN042-230	TXV	42500	14	11.5	CH33-49	EL296UH110XV60C	7617850
13ACXN042-230	TXV	42500	14	11.5	CH33-49	SL280UH090V60C	7617921
13ACXN042-230	TXV	42500	14	11.5	CH33-49	SLP98UH090XV48C	7617851

NOTES:

TXV = Matched with Thermostatic Expansion Valve.

RFC = Matched with RFC metering device.

AHRI certified to AHRI Standard 210/240 (with 25 ft. of connecting refrigerant lines); 95°F outdoor air temperature, 80°F db / 67°F wb entering evaporator air.

All ratings include the use of a blower time delay relay (TDR). All Lennox variable-speed furnaces and Air Handlers have time delay capabilities. Other Furnaces and Air Handlers may require an optional time delay relay (**58M81**) for field installation. See furnace or air handler specifications to determine if relay is needed.

Also see Expansion Valve Kit Usage Table.

AHRI SYSTEM MATCHES - NORTH REGION

NOTE - For the latest up-to-date system matches please visit the AHRI web site at <http://www.ahridirectory.org>

Model No.	Expansion Device	Capacity	SEER	EER	Coil or Air Handler	Furnace	AHRI Reference
13ACXN042-230	TXV	42500	14	11.5	CH33-49	SLP98UH110XV60C	7617852
13ACXN042-230	TXV	42000	14	11.5	CH33-50/60C	EL180UH090E60C	7620746
13ACXN042-230	TXV	42000	14	11.5	CH33-50/60C	EL180UH110E60C	7620486
13ACXN042-230	TXV	42000	14	11.5	CH33-50/60C	EL195UH090XE48C	7617854
13ACXN042-230	TXV	42500	14	11.5	CH33-50/60C	EL195UH110XE60C	7617855
13ACXN042-230	TXV	42000	14	11.5	CH33-50/60C	EL296UH090XE48C	7619211
13ACXN042-230	TXV	42500	14	11.5	CH33-50/60C	EL296UH090XV48C	7617856
13ACXN042-230	TXV	42000	14	11.5	CH33-50/60C	EL296UH090XV60C	7617857
13ACXN042-230	TXV	42500	14	11.5	CH33-50/60C	EL296UH110XE60C	7619212
13ACXN042-230	TXV	42500	14	11.5	CH33-50/60C	EL296UH110XV48C	7617858
13ACXN042-230	TXV	42500	14	11.5	CH33-50/60C	EL296UH110XV60C	7617859
13ACXN042-230	TXV	42500	14	11.5	CH33-50/60C	SL280UH090V60C	7617922
13ACXN042-230	TXV	42500	14	11.5	CH33-50/60C	SL280UH110V60C	7617923
13ACXN042-230	TXV	42000	14	11.5	CH33-50/60C	SLP98UH090XV48C	7617860
13ACXN042-230	TXV	42500	14	11.5	CH33-50/60C	SLP98UH110XV60C	7617861
13ACXN042-230	TXV	42000	14	11.5	CH35-42B	EL180UH090E48B	7623276
13ACXN042-230	TXV	42000	14	11.5	CH35-42B	EL180UH090XE48B	7623278
13ACXN042-230	TXV	42000	13	11	CH35-42B	EL296UH070XV36B	7623279
13ACXN042-230	TXV	42000	14	11.5	CH35-42B	SL280UH090V48B	7623281
13ACXN042-230	TXV	42000	14	11.5	CH35-42B	SL280UH090XV48B	7623283
13ACXN042-230	TXV	42000	13	11	CH35-42B	SLP98UH070XV36B	7623285
13ACXN042-230	TXV	42000	13	11	CH35-42B		7623292
13ACXN042-230	TXV	42000	14	11.5	CH35-42C	EL180UH090E60C	7623286
13ACXN042-230	TXV	42000	14	11.5	CH35-42C	EL180UH110E60C	7623288
13ACXN042-230	TXV	42000	14	11.5	CH35-42C	EL180UH110XE60C	7623290
13ACXN042-230	TXV	42000	14	11.5	CH35-42C	EL195UH090XE48C	7623295
13ACXN042-230	TXV	42000	14	11.5	CH35-42C	EL195UH110XE60C	7623297
13ACXN042-230	TXV	42000	14	11.5	CH35-42C	EL296UH090XE48C	7623304
13ACXN042-230	TXV	42000	14	11.5	CH35-42C	EL296UH090XV36C	7623299
13ACXN042-230	TXV	42000	14	11.5	CH35-42C	EL296UH090XV48C	7623300
13ACXN042-230	TXV	42000	14.25	11.5	CH35-42C	EL296UH090XV60C	7623302
13ACXN042-230	TXV	42000	14	11.5	CH35-42C	EL296UH110XE60C	7623307
13ACXN042-230	TXV	42000	14.25	11.5	CH35-42C	EL296UH110XV60C	7623305
13ACXN042-230	TXV	42000	14.25	11.5	CH35-42C	SL280UH090V60C	7623309
13ACXN042-230	TXV	42000	14.25	11.5	CH35-42C	SL280UH090XV60C	7623310
13ACXN042-230	TXV	42000	14.25	11.5	CH35-42C	SL280UH110V60C	7623312
13ACXN042-230	TXV	42000	14.25	11.5	CH35-42C	SL280UH110XV60C	7623313
13ACXN042-230	TXV	42000	14	11.5	CH35-42C	SLP98UH090XV36C	7623315
13ACXN042-230	TXV	42000	14	11.5	CH35-42C	SLP98UH090XV48C	7623317
13ACXN042-230	TXV	42000	14	11.5	CH35-42C	SLP98UH090XV60C	7623318
13ACXN042-230	TXV	42000	14	11.5	CH35-42C	SLP98UH110XV60C	7623320
13ACXN042-230	TXV	42000	13	11	CH35-42C		7623294
13ACXN042-230	TXV	42000	14	11.5	CH35-48B	EL180UH090E48B	7623322
13ACXN042-230	TXV	42000	14	11.5	CH35-48B	EL180UH090XE48B	7623323
13ACXN042-230	TXV	41500	13	11	CH35-48B	EL296UH070XV36B	7623327
13ACXN042-230	TXV	41500	13	11	CH35-48B	SLP98UH070XV36B	7623331
13ACXN042-230	TXV	41500	13	11	CH35-48B		7623325
13ACXN042-230	TXV	42000	14	11.5	CH35-48C	EL180UH090E60C	7623333
13ACXN042-230	TXV	42000	14	11.5	CH35-48C	EL180UH110E60C	7623335

NOTES:

TXV = Matched with Thermostatic Expansion Valve.

RFC = Matched with RFC metering device.

AHRI certified to AHRI Standard 210/240 (with 25 ft. of connecting refrigerant lines); 95°F outdoor air temperature, 80°F db / 67°F wb entering evaporator air.

All ratings include the use of a blower time delay relay (TDR). All Lennox variable-speed furnaces and Air Handlers have time delay capabilities. Other Furnaces and Air Handlers may require an optional time delay relay (**58M81**) for field installation. See furnace or air handler specifications to determine if relay is needed.

Also see Expansion Valve Kit Usage Table.

AHRI SYSTEM MATCHES - NORTH REGION

NOTE - For the latest up-to-date system matches please visit the AHRI web site at <http://www.ahridirectory.org>

Model No.	Expansion Device	Capacity	SEER	EER	Coil or Air Handler	Furnace	AHRI Reference
13ACXN042-230	TXV	42000	14	11.5	CH35-48C	EL180UH110XE60C	7623336
13ACXN042-230	TXV	41500	13	11.5	CH35-48C	EL195UH090XE48C	7623340
13ACXN042-230	TXV	42000	13	11.5	CH35-48C	EL195UH110XE60C	7623341
13ACXN042-230	TXV	41500	13	11.5	CH35-48C	EL296UH090XE48C	7623348
13ACXN042-230	TXV	41500	13	11.5	CH35-48C	EL296UH090XV36C	7623343
13ACXN042-230	TXV	42000	13	11.5	CH35-48C	EL296UH090XV48C	7623345
13ACXN042-230	TXV	42000	14	11.5	CH35-48C	EL296UH090XV60C	7623346
13ACXN042-230	TXV	42000	13	11.5	CH35-48C	EL296UH110XE60C	7623351
13ACXN042-230	TXV	42000	13	11.5	CH35-48C	EL296UH110XV60C	7623350
13ACXN042-230	TXV	42000	14	11.5	CH35-48C	SL280UH090V60C	7623353
13ACXN042-230	TXV	42000	14	11.5	CH35-48C	SL280UH090XV60C	7623354
13ACXN042-230	TXV	42000	13	11.5	CH35-48C	SL280UH110V60C	7623356
13ACXN042-230	TXV	42000	13	11.5	CH35-48C	SL280UH110XV60C	7623358
13ACXN042-230	TXV	41500	13	11.5	CH35-48C	SLP98UH090XV36C	7623359
13ACXN042-230	TXV	42000	13	11.5	CH35-48C	SLP98UH090XV48C	7623361
13ACXN042-230	TXV	42000	13	11.5	CH35-48C	SLP98UH090XV60C	7623363
13ACXN042-230	TXV	42000	13	11.5	CH35-48C	SLP98UH110XV60C	7623364
13ACXN042-230	TXV	41500	13	11	CH35-48C		7623338
13ACXN042-230	TXV	42000	14.25	11.5	CH35-51C	EL180UH090E60C	7623381
13ACXN042-230	TXV	42000	14.25	11.5	CH35-51C	EL180UH110E60C	7623382
13ACXN042-230	TXV	42000	14.25	11.5	CH35-51C	EL180UH110XE60C	7623384
13ACXN042-230	TXV	42000	14	11.5	CH35-51C	EL195UH090XE48C	7623368
13ACXN042-230	TXV	42000	14	11.5	CH35-51C	EL195UH110XE60C	7623369
13ACXN042-230	TXV	42000	14	11.5	CH35-51C	EL296UH090XE48C	7623376
13ACXN042-230	TXV	42000	13	11.5	CH35-51C	EL296UH090XV36C	7623371
13ACXN042-230	TXV	42000	14	11.5	CH35-51C	EL296UH090XV48C	7623372
13ACXN042-230	TXV	42000	14.25	11.5	CH35-51C	EL296UH090XV60C	7623374
13ACXN042-230	TXV	42000	14	11.5	CH35-51C	EL296UH110XE60C	7623379
13ACXN042-230	TXV	42000	14	11.5	CH35-51C	EL296UH110XV60C	7623377
13ACXN042-230	TXV	42000	14.25	11.5	CH35-51C	SL280UH090V60C	7623386
13ACXN042-230	TXV	42000	14.25	11.5	CH35-51C	SL280UH090XV60C	7623387
13ACXN042-230	TXV	42000	14	11.5	CH35-51C	SL280UH110V60C	7623389
13ACXN042-230	TXV	42000	14	11.5	CH35-51C	SL280UH110XV60C	7623390
13ACXN042-230	TXV	42000	13	11.5	CH35-51C	SLP98UH090XV36C	7623392
13ACXN042-230	TXV	42000	14	11.5	CH35-51C	SLP98UH090XV48C	7623394
13ACXN042-230	TXV	42000	14	11.5	CH35-51C	SLP98UH090XV60C	7623395
13ACXN042-230	TXV	42000	14	11.5	CH35-51C	SLP98UH110XV60C	7623397
13ACXN042-230	TXV	40000	13	10.7	CH35-51C		10514522
13ACXN042-230	TXV	42000	13	11	CH35-51C		7623366
13ACXN042-230	TXV	41000	13	11	CR33-48	EL180DF090E48B	9425123
13ACXN042-230	TXV	40500	13	11	CR33-48	EL195DF070XE48B	7617862
13ACXN042-230	TXV	41000	13	11	CR33-48	EL195DF090XE48C	7617935
13ACXN042-230	TXV	40500	13	11	CR33-48	EL296DF070XE48B	7619213
13ACXN042-230	TXV	40500	13	11	CR33-48	EL296DF070XV48B	7617863
13ACXN042-230	TXV	41000	13	11	CR33-48	EL296DF090XE48C	7619220
13ACXN042-230	TXV	41500	13	11	CR33-48	EL296DF090XV60C	7617864
13ACXN042-230	TXV	41500	13	11	CR33-48	EL296DF110XV60C	7617865
13ACXN042-230	TXV	42000	14	11.5	CR33-50/60	EL180DF110E60C	7619793
13ACXN042-230	TXV	42000	14	11.5	CR33-50/60	EL296DF110XV60C	7617867

NOTES:

TXV = Matched with Thermostatic Expansion Valve.

RFC = Matched with RFC metering device.

AHRI certified to AHRI Standard 210/240 (with 25 ft. of connecting refrigerant lines); 95°F outdoor air temperature, 80°F db / 67°F wb entering evaporator air.

All ratings include the use of a blower time delay relay (TDR). All Lennox variable-speed furnaces and Air Handlers have time delay capabilities. Other Furnaces and Air Handlers may require an optional time delay relay (**58M81**) for field installation. See furnace or air handler specifications to determine if relay is needed.

Also see Expansion Valve Kit Usage Table.

AHRI SYSTEM MATCHES - NORTH REGION

NOTE - For the latest up-to-date system matches please visit the AHRI web site at <http://www.ahridirectory.org>

Model No.	Expansion Device	Capacity	SEER	EER	Coil or Air Handler	Furnace	AHRI Reference
13ACXN042-230	TXV	42000	14	11.5	CR33-50/60	SL280DF090V60C	7617924
13ACXN042-230	TXV	42000	14	11.5	CR33-50/60	SL280DF110V60C	7617925
13ACXN042-230	TXV	41500	13	11	CR33-50/60		7617866
13ACXN042-230	TXV	41000	13	10.5	CR33-60		7617868
13ACXN042-230	TXV	41000	13	11	CX35-36B	EL296UH045XV36B	8266740
13ACXN042-230	TXV	41000	13	11	CX35-36B		10348408
13ACXN042-230	TXV	42000	14	11.5	CX35-48B	EL180UH090E48B	8266758
13ACXN042-230	TXV	42000	14	11.5	CX35-48B	EL180UH090XE48B	8266756
13ACXN042-230	TXV	41000	13	11	CX35-48B	EL296UH070XV36B	8269625
13ACXN042-230	TXV	41500	14	11	CX35-48B	SL280UH090V48B	8269623
13ACXN042-230	TXV	41500	14	11	CX35-48B	SL280UH090XV48B	8269622
13ACXN042-230	TXV	41000	13	11	CX35-48B	SLP98UH070XV36B	8269624
13ACXN042-230	TXV	41000	13	11	CX35-48B		9134476
13ACXN042-230	TXV	41500	14	11.5	CX35-48C	CBWMV-60C-100	8269594
13ACXN042-230	TXV	41500	14	11.5	CX35-48C	CBWMV-60C-120	8269595
13ACXN042-230	TXV	42000	14	11.5	CX35-48C	EL180UH090E60C	8266786
13ACXN042-230	TXV	41500	14	11.5	CX35-48C	EL180UH110E60C	8266784
13ACXN042-230	TXV	41500	14	11.5	CX35-48C	EL180UH110XE60C	8266785
13ACXN042-230	TXV	41500	14	11.5	CX35-48C	EL195UH090XE48C	8266804
13ACXN042-230	TXV	42000	14	11.5	CX35-48C	EL195UH110XE60C	8266805
13ACXN042-230	TXV	41500	14	11.5	CX35-48C	EL296UH090XE48C	8266802
13ACXN042-230	TXV	41500	13	11.5	CX35-48C	EL296UH090XV36C	8269598
13ACXN042-230	TXV	41500	14	11.5	CX35-48C	EL296UH090XV48C	8266806
13ACXN042-230	TXV	42000	14	11.5	CX35-48C	EL296UH090XV60C	8266807
13ACXN042-230	TXV	42000	14	11.5	CX35-48C	EL296UH110XE60C	8266803
13ACXN042-230	TXV	42000	14	11.5	CX35-48C	EL296UH110XV48C	8266808
13ACXN042-230	TXV	42000	14	11.5	CX35-48C	EL296UH110XV60C	8266809
13ACXN042-230	TXV	41500	14.25	11.5	CX35-48C	SL280UH090V60C	8266812
13ACXN042-230	TXV	41500	14.25	11.5	CX35-48C	SL280UH090XV60C	8266814
13ACXN042-230	TXV	41500	14.25	12.5	CX35-48C	SL280UH110V60C	8269593
13ACXN042-230	TXV	41500	14.25	11.5	CX35-48C	SL280UH110XV60C	8266813
13ACXN042-230	TXV	42000	14	11.5	CX35-48C	SLO185B124/141V60	8266781
13ACXN042-230	TXV	42000	14	11.5	CX35-48C	SLO185UF124/141V60	8266780
13ACXN042-230	TXV	41500	13	11.5	CX35-48C	SLP98UH090XV36C	8269597
13ACXN042-230	TXV	41500	14	11.5	CX35-48C	SLP98UH090XV48C	8266810
13ACXN042-230	TXV	41500	14	11.5	CX35-48C	SLP98UH090XV60C	8269596
13ACXN042-230	TXV	41500	14	11.5	CX35-48C	SLP98UH110XV60C	8266811
13ACXN042-230	TXV	41000	13	11	CX35-48C		8266778
13ACXN042-230	TXV	42000	14	11.5	CX35-49C	CBWMV-60C-100	8269599
13ACXN042-230	TXV	42000	14	11.5	CX35-49C	CBWMV-60C-120	8269600
13ACXN042-230	TXV	42000	14	11.5	CX35-49C	EL180UH090E60C	8266827
13ACXN042-230	TXV	42000	14	11.5	CX35-49C	EL180UH110E60C	8266823
13ACXN042-230	TXV	42000	14	11.5	CX35-49C	EL180UH110XE60C	8266825
13ACXN042-230	TXV	41500	14	11.5	CX35-49C	EL195UH090XE48C	8266837
13ACXN042-230	TXV	42000	14	11.5	CX35-49C	EL195UH110XE60C	8266838
13ACXN042-230	TXV	41500	14	11.5	CX35-49C	EL296UH090XE48C	8266834
13ACXN042-230	TXV	41500	14	11.5	CX35-49C	EL296UH090XV36C	8269601
13ACXN042-230	TXV	42000	14	11.5	CX35-49C	EL296UH090XV48C	8266839
13ACXN042-230	TXV	42000	14	11.5	CX35-49C	EL296UH090XV60C	8266840

NOTES:

TXV = Matched with Thermostatic Expansion Valve.

RFC = Matched with RFC metering device.

AHRI certified to AHRI Standard 210/240 (with 25 ft. of connecting refrigerant lines); 95°F outdoor air temperature, 80°F db / 67°F wb entering evaporator air.

All ratings include the use of a blower time delay relay (TDR). All Lennox variable-speed furnaces and Air Handlers have time delay capabilities. Other Furnaces and Air Handlers may require an optional time delay relay (**58M81**) for field installation. See furnace or air handler specifications to determine if relay is needed.

Also see Expansion Valve Kit Usage Table.

AHRI SYSTEM MATCHES - NORTH REGION

NOTE - For the latest up-to-date system matches please visit the AHRI web site at <http://www.ahridirectory.org>

Model No.	Expansion Device	Capacity	SEER	EER	Coil or Air Handler	Furnace	AHRI Reference
13ACXN042-230	TXV	42000	14	11.5	CX35-49C	EL296UH110XE60C	8266835
13ACXN042-230	TXV	42000	14	11.5	CX35-49C	EL296UH110XV48C	8266841
13ACXN042-230	TXV	42000	14	11.5	CX35-49C	EL296UH110XV60C	8266842
13ACXN042-230	TXV	42000	14	11.5	CX35-49C	SL280UH090V60C	8266847
13ACXN042-230	TXV	42000	14	11.5	CX35-49C	SL280UH090XV60C	8266849
13ACXN042-230	TXV	42000	14	11.5	CX35-49C	SL280UH110V60C	8266848
13ACXN042-230	TXV	42000	14	11.5	CX35-49C	SL280UH110XV60C	8266850
13ACXN042-230	TXV	42000	14	11.5	CX35-49C	SLO185B124/141V60	8266822
13ACXN042-230	TXV	42000	14	11.5	CX35-49C	SLO185UF124/141V60	8266821
13ACXN042-230	TXV	41500	14	11.5	CX35-49C	SLP98UH090XV36C	8266843
13ACXN042-230	TXV	42000	14	11.5	CX35-49C	SLP98UH090XV48C	8266844
13ACXN042-230	TXV	42000	14	11.5	CX35-49C	SLP98UH090XV60C	8266845
13ACXN042-230	TXV	42000	14	11.5	CX35-49C	SLP98UH110XV60C	8266846
13ACXN042-230	TXV	42000	13	11	CX35-49C		8266820
13ACXN042-230	TXV	41500	13.5	11.5	CX35-50/60C	CBWMV-60C-100	8269612
13ACXN042-230	TXV	41500	13.5	11.5	CX35-50/60C	CBWMV-60C-120	8269613
13ACXN042-230	TXV	41500	14	11.5	CX35-50/60C	EL180UH090E60C	8266856
13ACXN042-230	TXV	41000	14	11.5	CX35-50/60C	EL180UH110E60C	8266854
13ACXN042-230	TXV	41000	14	11.5	CX35-50/60C	EL180UH110XE60C	8266855
13ACXN042-230	TXV	41000	13	11.5	CX35-50/60C	EL195UH090XE48C	8269606
13ACXN042-230	TXV	41500	13	11.5	CX35-50/60C	EL195UH110XE60C	8269607
13ACXN042-230	TXV	41000	13	11.5	CX35-50/60C	EL296UH090XE48C	8269605
13ACXN042-230	TXV	41000	13	11.5	CX35-50/60C	EL296UH090XV36C	8269620
13ACXN042-230	TXV	41500	13	11.5	CX35-50/60C	EL296UH090XV48C	8269621
13ACXN042-230	TXV	41000	13	11.5	CX35-50/60C	EL296UH090XV60C	8269619
13ACXN042-230	TXV	41500	13	11.5	CX35-50/60C	EL296UH110XE60C	8269604
13ACXN042-230	TXV	41500	13	11.5	CX35-50/60C	EL296UH110XV60C	8269618
13ACXN042-230	TXV	41500	13	11.5	CX35-50/60C	SL280UH090V60C	8269611
13ACXN042-230	TXV	41500	13	11.5	CX35-50/60C	SL280UH090XV60C	8269608
13ACXN042-230	TXV	41000	13	11.5	CX35-50/60C	SL280UH110V60C	8269610
13ACXN042-230	TXV	41000	13	11.5	CX35-50/60C	SL280UH110XV60C	8269609
13ACXN042-230	TXV	41000	13	11	CX35-50/60C	SLO185B124/141V60	8269602
13ACXN042-230	TXV	41500	13	11	CX35-50/60C	SLO185UF124/141V60	8269603
13ACXN042-230	TXV	41000	13	11.5	CX35-50/60C	SLP98UH090XV36C	8269614
13ACXN042-230	TXV	41000	13	11.5	CX35-50/60C	SLP98UH090XV48C	8269615
13ACXN042-230	TXV	41500	13	11.5	CX35-50/60C	SLP98UH090XV60C	8269616
13ACXN042-230	TXV	41000	13	11.5	CX35-50/60C	SLP98UH110XV60C	8269617
13ACXN042-230	TXV	41000	13	10.5	CX35-50/60C		8266853
13ACXN042-230	TXV	42000	14.5	12	CX35-60C	EL180UH090E60C	8266898
13ACXN042-230	TXV	42000	14.5	12	CX35-60C	EL180UH110E60C	8266896
13ACXN042-230	TXV	42000	14.5	12	CX35-60C	EL180UH110XE60C	8266897
13ACXN042-230	TXV	42000	14	12	CX35-60C	EL195UH090XE48C	8266901
13ACXN042-230	TXV	42000	14	12	CX35-60C	EL195UH110XE60C	8266902
13ACXN042-230	TXV	42000	14	12	CX35-60C	EL296UH090XE48C	8266899
13ACXN042-230	TXV	42000	14	12	CX35-60C	EL296UH090XV48C	8266903
13ACXN042-230	TXV	42000	14.5	12	CX35-60C	EL296UH090XV60C	8266904
13ACXN042-230	TXV	42000	14	12	CX35-60C	EL296UH110XE60C	8266900
13ACXN042-230	TXV	42000	14.5	12	CX35-60C	EL296UH110XV48C	8266905
13ACXN042-230	TXV	42000	14.5	12	CX35-60C	EL296UH110XV60C	8266906

NOTES:

TXV = Matched with Thermostatic Expansion Valve.

RFC = Matched with RFC metering device.

AHRI certified to AHRI Standard 210/240 (with 25 ft. of connecting refrigerant lines); 95°F outdoor air temperature, 80°F db / 67°F wb entering evaporator air.

All ratings include the use of a blower time delay relay (TDR). All Lennox variable-speed furnaces and Air Handlers have time delay capabilities. Other Furnaces and Air Handlers may require an optional time delay relay (**58M81**) for field installation. See furnace or air handler specifications to determine if relay is needed.

Also see Expansion Valve Kit Usage Table.

AHRI SYSTEM MATCHES - NORTH REGION

NOTE - For the latest up-to-date system matches please visit the AHRI web site at <http://www.ahridirectory.org>

Model No.	Expansion Device	Capacity	SEER	EER	Coil or Air Handler	Furnace	AHRI Reference
13ACXN042-230	TXV	42000	14.5	12	CX35-60C	SL280UH090V60C	8266907
13ACXN042-230	TXV	42000	14.5	12	CX35-60C	SL280UH090XV60C	8266909
13ACXN042-230	TXV	42000	14.5	12	CX35-60C	SL280UH110V60C	8266908
13ACXN042-230	TXV	42000	14.5	12	CX35-60C	SL280UH110XV60C	8266910
13ACXN042-230	TXV	42000	14.5	12	CX35-60C	SLO185B124/141V60	8266877
13ACXN042-230	TXV	42000	14.5	12	CX35-60C	SLO185UF124/141V60	8266876
13ACXN042-230	TXV	42000	14	11.5	CX35-60C	SLP98UH090XV36C	8266911
13ACXN042-230	TXV	42000	14	12	CX35-60C	SLP98UH090XV48C	8266912
13ACXN042-230	TXV	42000	14.5	12	CX35-60C	SLP98UH090XV60C	8266913
13ACXN042-230	TXV	42000	14.5	12	CX35-60C	SLP98UH110XV60C	8266914
13ACXN042-230	TXV	41500	13	11	CX35-60C		8266875
13ACXN042-230	TXV	42000	14.5	11.5	CX35-60D	SLO185B124/141V60	8266918
13ACXN042-230	TXV	42000	14.5	11.5	CX35-60D	SLO185UF124/141V60	8266917
13ACXN042-230	TXV	41500	13	11	CX35-60D		9542723
13ACXN048-230	RFC	48500	13	10.7	C35-49C		8630638
13ACXN048-230	RFC	49500	13	10.7	C35-60C		8630640
13ACXN048-230	RFC	49000	13	10.7	C35-60D		8630642
13ACXN048-230	RFC	49000	13	11	CH23-68		7618912
13ACXN048-230	RFC	48500	13	11	CH33-43		7618954
13ACXN048-230	RFC	49000	13	11	CH33-49		7618955
13ACXN048-230	RFC	49000	13	11	CH33-50/60C		7618914
13ACXN048-230	RFC	48500	13	11	CH33-60D		7618941
13ACXN048-230	RFC	49000	13	11	CH33-62D		7618942
13ACXN048-230	RFC	48500	13	10.7	CH35-51C		10514523
13ACXN048-230	RFC	49000	13	10.7	CH35-60D		10514524
13ACXN048-230	TXV	48000	13	11	C35-36B	EL180UH090E48B	8267061
13ACXN048-230	TXV	48000	13	11	C35-36B	EL180UH090XE48B	8267065
13ACXN048-230	TXV	48000	13	11	C35-36B	SL280UH090V48B	8267098
13ACXN048-230	TXV	48000	13	11	C35-36B	SL280UH090XV48B	8267078
13ACXN048-230	TXV	48500	13	11	C35-48B		8267101
13ACXN048-230	TXV	48500	13	11	C35-48C		8269626
13ACXN048-230	TXV	49000	14	11.7	C35-49C	EL180UH090E60C	8267179
13ACXN048-230	TXV	49000	14	11.7	C35-49C	EL180UH110E60C	8267174
13ACXN048-230	TXV	49000	14	11.7	C35-49C	EL180UH110XE60C	8267177
13ACXN048-230	TXV	49000	14	11.7	C35-49C	EL195UH110XE60C	8267182
13ACXN048-230	TXV	49000	14	11.7	C35-49C	EL296UH110XE60C	8267185
13ACXN048-230	TXV	49500	14	11.7	C35-49C	SL280UH090V60C	8267180
13ACXN048-230	TXV	49500	14	11.7	C35-49C	SL280UH090XV60C	8267200
13ACXN048-230	TXV	49500	14	11.7	C35-49C	SL280UH110V60C	8267181
13ACXN048-230	TXV	49500	14	11.7	C35-49C	SL280UH110XV60C	8267201
13ACXN048-230	TXV	49000	13	11	C35-49C		8267171
13ACXN048-230	TXV	47500	13	11	C35-50/60C		8267204
13ACXN048-230	TXV	50000	14	11.7	C35-60C	EL180UH090E60C	8267238
13ACXN048-230	TXV	50000	14	11.7	C35-60C	EL180UH110E60C	8267233
13ACXN048-230	TXV	50000	14	11.7	C35-60C	EL180UH110XE60C	8267236
13ACXN048-230	TXV	50000	14	11.7	C35-60C	EL195UH090XE48C	8267239
13ACXN048-230	TXV	50000	14	11.7	C35-60C	EL195UH110XE60C	8267240
13ACXN048-230	TXV	50000	14	11.7	C35-60C	EL296UH090XE48C	8267254
13ACXN048-230	TXV	50000	14	11.7	C35-60C	EL296UH090XV48C	8267241

NOTES:

TXV = Matched with Thermostatic Expansion Valve.

RFC = Matched with RFC metering device.

AHRI certified to AHRI Standard 210/240 (with 25 ft. of connecting refrigerant lines); 95°F outdoor air temperature, 80°F db / 67°F wb entering evaporator air.

All ratings include the use of a blower time delay relay (TDR). All Lennox variable-speed furnaces and Air Handlers have time delay capabilities. Other Furnaces and Air Handlers may require an optional time delay relay (**58M81**) for field installation. See furnace or air handler specifications to determine if relay is needed.

Also see Expansion Valve Kit Usage Table.

AHRI SYSTEM MATCHES - NORTH REGION

NOTE - For the latest up-to-date system matches please visit the AHRI web site at <http://www.ahridirectory.org>

Model No.	Expansion Device	Capacity	SEER	EER	Coil or Air Handler	Furnace	AHRI Reference
13ACXN048-230	TXV	50000	14	11.7	C35-60C	EL296UH090XV60C	8267242
13ACXN048-230	TXV	50000	14	11.7	C35-60C	EL296UH110XE60C	8267255
13ACXN048-230	TXV	50000	14	11.7	C35-60C	EL296UH110XV48C	8267243
13ACXN048-230	TXV	50000	14	11.7	C35-60C	EL296UH110XV60C	8267244
13ACXN048-230	TXV	50000	14	11.7	C35-60C	SL280UH090V60C	8267247
13ACXN048-230	TXV	50000	14	11.7	C35-60C	SL280UH090XV60C	8267245
13ACXN048-230	TXV	50000	14	11.7	C35-60C	SL280UH110V60C	8267248
13ACXN048-230	TXV	50000	14	11.7	C35-60C	SL280UH110XV60C	8267246
13ACXN048-230	TXV	49500	14	11.7	C35-60C	SLP98UH090XV48C	8267249
13ACXN048-230	TXV	50000	14	11.7	C35-60C	SLP98UH090XV60C	8267250
13ACXN048-230	TXV	50000	14	11.7	C35-60C	SLP98UH110XV60C	8267251
13ACXN048-230	TXV	50000	13	11	C35-60C		8267230
13ACXN048-230	TXV	49500	14	11.7	C35-60D	EL180UH135E60D	8267274
13ACXN048-230	TXV	50000	14	11.7	C35-60D	EL296UH135XV60D	8267275
13ACXN048-230	TXV	49500	14	11.7	C35-60D	SL280UH135V60D	8267276
13ACXN048-230	TXV	49000	14	11.7	C35-60D	SLP98UH135XV60D	8267277
13ACXN048-230	TXV	49000	13	11	C35-60D		8267271
13ACXN048-230	TXV	49500	13	11	CBA27UHE-048		10259469
13ACXN048-230	TXV	49500	13	11	CBA27UHE-060		10259470
13ACXN048-230	TXV	49500	13	11	CBX25UH-048		7619780
13ACXN048-230	TXV	48000	14	12.2	CBX25UHV-048		7622699
13ACXN048-230	TXV	49500	13	11	CBX27UH-048		7618899
13ACXN048-230	TXV	49500	13	11	CBX27UH-060		7618900
13ACXN048-230	TXV	49000	13	11	CBX32M-048		7618901
13ACXN048-230	TXV	49500	13	11	CBX32M-060		7618902
13ACXN048-230	TXV	49000	13	11	CBX32MV-048		7618903
13ACXN048-230	TXV	49500	13	11	CBX32MV-060		7618904
13ACXN048-230	TXV	49000	13	11	CBX40UHV-048		7618905
13ACXN048-230	TXV	49500	13	11	CBX40UHV-060		7618906
13ACXN048-230	TXV	47000	13	11	CH23-51	EL180UH090E60C	7620785
13ACXN048-230	TXV	47000	13	11	CH23-51	EL180UH110E60C	7620436
13ACXN048-230	TXV	47000	13	11	CH23-51	EL296UH110XV48C	7618907
13ACXN048-230	TXV	48000	13	11	CH23-65	EL180UH090E60C	7620787
13ACXN048-230	TXV	48000	13	11	CH23-65	EL180UH110E60C	7620437
13ACXN048-230	TXV	47500	13	11	CH23-65	EL296UH110XV48C	7618908
13ACXN048-230	TXV	50000	14	11.7	CH23-68	EL180UH135E60D	7620847
13ACXN048-230	TXV	49000	13	11	CH23-68		7618950
13ACXN048-230	TXV	48500	13	11	CH33-43		7618951
13ACXN048-230	TXV	48000	13	11	CH33-44/48B	EL180UH090E48B	7620602
13ACXN048-230	TXV	48000	13	11	CH33-48C		7618913
13ACXN048-230	TXV	49000	14	11.7	CH33-49	EL180UH090E60C	7620789
13ACXN048-230	TXV	49000	14	11.7	CH33-49	EL180UH110E60C	7620438
13ACXN048-230	TXV	49000	14	11.7	CH33-49	EL180UH110XE60C	7620669
13ACXN048-230	TXV	49000	13	11	CH33-49		7618952
13ACXN048-230	TXV	49000	13	11	CH33-50/60C		7618953
13ACXN048-230	TXV	48500	13	11	CH33-60D		7618885
13ACXN048-230	TXV	49500	14	11.7	CH33-62D	EL180UH135E60D	7620834
13ACXN048-230	TXV	49000	14	11.7	CH33-62D	SL280UH135V60D	7618943
13ACXN048-230	TXV	48500	14	11.7	CH33-62D	SLP98UH135XV60D	7618944

NOTES:

TXV = Matched with Thermostatic Expansion Valve.

RFC = Matched with RFC metering device.

AHRI certified to AHRI Standard 210/240 (with 25 ft. of connecting refrigerant lines); 95°F outdoor air temperature, 80°F db / 67°F wb entering evaporator air.

All ratings include the use of a blower time delay relay (TDR). All Lennox variable-speed furnaces and Air Handlers have time delay capabilities. Other Furnaces and Air Handlers may require an optional time delay relay (**58M81**) for field installation. See furnace or air handler specifications to determine if relay is needed.

Also see Expansion Valve Kit Usage Table.

AHRI SYSTEM MATCHES - NORTH REGION

NOTE - For the latest up-to-date system matches please visit the AHRI web site at <http://www.ahridirectory.org>

Model No.	Expansion Device	Capacity	SEER	EER	Coil or Air Handler	Furnace	AHRI Reference
13ACXN048-230	TXV	49000	13	11	CH33-62D		7618886
13ACXN048-230	TXV	48000	13	11	CH35-42B		7623399
13ACXN048-230	TXV	48000	13	11.5	CH35-42C	EL195UH090XE48C	7623402
13ACXN048-230	TXV	48000	13	11.7	CH35-42C	EL195UH110XE60C	7623404
13ACXN048-230	TXV	48000	13	11.5	CH35-42C	EL296UH090XV48C	7623407
13ACXN048-230	TXV	48000	13	11.5	CH35-42C	EL296UH090XV60C	7623405
13ACXN048-230	TXV	48000	13	11.5	CH35-42C	EL296UH110XV48C	7623409
13ACXN048-230	TXV	48000	13	11.5	CH35-42C	EL296UH110XV60C	7623410
13ACXN048-230	TXV	48000	13	11.7	CH35-42C	SL280UH090V60C	7623415
13ACXN048-230	TXV	48000	13	11.7	CH35-42C	SL280UH110V60C	7623417
13ACXN048-230	TXV	48000	13	11.5	CH35-42C	SLP98UH090XV48C	7623419
13ACXN048-230	TXV	48000	13	11.5	CH35-42C	SLP98UH090XV60C	7623420
13ACXN048-230	TXV	48000	13	11.5	CH35-42C	SLP98UH110XV60C	7623422
13ACXN048-230	TXV	48000	13	11	CH35-42C		7623400
13ACXN048-230	TXV	48000	13	11.5	CH35-48B	EL180UH090E48B	7623423
13ACXN048-230	TXV	48000	13	11.5	CH35-48B	EL180UH090E60C	7623504
13ACXN048-230	TXV	48000	13	11.7	CH35-48B	EL180UH110E60C	7623506
13ACXN048-230	TXV	48000	13	11	CH35-48B		7623502
13ACXN048-230	TXV	48000	13	11.7	CH35-48C	EL180UH090E60C	7623412
13ACXN048-230	TXV	48000	13	11.7	CH35-48C	EL180UH110E60C	7623414
13ACXN048-230	TXV	48000	13	11.7	CH35-48C	EL180UH110XE60C	7623432
13ACXN048-230	TXV	48000	13	11.5	CH35-48C	EL195UH090XE48C	7623427
13ACXN048-230	TXV	48000	13	11.5	CH35-48C	EL195UH110XE60C	7623428
13ACXN048-230	TXV	48000	13	11	CH35-48C	EL296UH090XV48C	7623430
13ACXN048-230	TXV	48000	13	11.7	CH35-48C	SL280UH090V60C	7623433
13ACXN048-230	TXV	48000	13	11.7	CH35-48C	SL280UH090XV60C	7623435
13ACXN048-230	TXV	48000	13	11.5	CH35-48C	SL280UH110V60C	7623437
13ACXN048-230	TXV	48000	13	11.5	CH35-48C	SL280UH110XV60C	7623438
13ACXN048-230	TXV	48000	13	11	CH35-48C	SLP98UH090XV48C	7623440
13ACXN048-230	TXV	48000	13	11	CH35-48C	SLP98UH090XV60C	7623441
13ACXN048-230	TXV	48000	13	11	CH35-48C	SLP98UH110XV60C	7623443
13ACXN048-230	TXV	48000	13	11	CH35-48C		7623425
13ACXN048-230	TXV	48000	13	11.7	CH35-51C	EL180UH090E60C	7623456
13ACXN048-230	TXV	48000	14	12	CH35-51C	EL180UH110E60C	7623458
13ACXN048-230	TXV	48000	14	12	CH35-51C	EL180UH110XE60C	7623460
13ACXN048-230	TXV	48000	13	11.7	CH35-51C	EL195UH090XE48C	7623446
13ACXN048-230	TXV	48000	13	11.7	CH35-51C	EL195UH110XE60C	7623448
13ACXN048-230	TXV	48000	13	11.5	CH35-51C	EL296UH090XV48C	7623451
13ACXN048-230	TXV	48000	13	11.5	CH35-51C	EL296UH090XV60C	7623450
13ACXN048-230	TXV	48000	13	11.7	CH35-51C	EL296UH110XV48C	7623455
13ACXN048-230	TXV	48000	13	11.5	CH35-51C	EL296UH110XV60C	7623453
13ACXN048-230	TXV	48000	13	11.7	CH35-51C	SL280UH090V60C	7623461
13ACXN048-230	TXV	48000	13	11.7	CH35-51C	SL280UH090XV60C	7623463
13ACXN048-230	TXV	48000	13	11.7	CH35-51C	SL280UH110V60C	7623464
13ACXN048-230	TXV	48000	13	11.7	CH35-51C	SL280UH110XV60C	7623466
13ACXN048-230	TXV	48000	13	11.5	CH35-51C	SLP98UH090XV48C	7623468
13ACXN048-230	TXV	48000	13	11.5	CH35-51C	SLP98UH090XV60C	7623469
13ACXN048-230	TXV	48000	13	11.5	CH35-51C	SLP98UH110XV60C	7623471
13ACXN048-230	TXV	48000	13	11	CH35-51C		7623445

NOTES:

TXV = Matched with Thermostatic Expansion Valve.
RFC = Matched with RFC metering device.

AHRI certified to AHRI Standard 210/240 (with 25 ft. of connecting refrigerant lines); 95°F outdoor air temperature, 80°F db / 67°F wb entering evaporator air. All ratings include the use of a blower time delay relay (TDR). All Lennox variable-speed furnaces and Air Handlers have time delay capabilities. Other Furnaces and Air Handlers may require an optional time delay relay (**58M81**) for field installation. See furnace or air handler specifications to determine if relay is needed.

Also see Expansion Valve Kit Usage Table.

AHRI SYSTEM MATCHES - NORTH REGION

NOTE - For the latest up-to-date system matches please visit the AHRI web site at <http://www.ahridirectory.org>

Model No.	Expansion Device	Capacity	SEER	EER	Coil or Air Handler	Furnace	AHRI Reference
13ACXN060-230	TXV	59000	13	11	C35-60C		8267229
13ACXN060-230	TXV	58000	13	11	C35-60D		8267270
13ACXN060-230	TXV	57500	13	11	CBA27UHE-060		10259471
13ACXN060-230	TXV	58500	13	11	CBX25UH-060		7619781
13ACXN060-230	TXV	58000	13.5	11.5	CBX25UHV-060		7622701
13ACXN060-230	TXV	57500	13	11	CBX27UH-060		7618974
13ACXN060-230	TXV	56000	13	11	CBX32M-048		7618975
13ACXN060-230	TXV	57000	13	11	CBX32M-060		7618976
13ACXN060-230	TXV	57000	13	11	CBX32MV-048		7618977
13ACXN060-230	TXV	57500	13	11	CBX32MV-060		7618978
13ACXN060-230	TXV	57000	13	11	CBX32MV-068		7618979
13ACXN060-230	TXV	57000	13	11	CBX40UHV-048		7618980
13ACXN060-230	TXV	57500	13	11	CBX40UHV-060		7618957
13ACXN060-230	TXV	58000	13	11	CH23-68		7618982
13ACXN060-230	TXV	58000	13	11	CH23-68		7618966
13ACXN060-230	TXV	57500	13	11	CH33-50/60C		7618958
13ACXN060-230	TXV	57500	13	11	CH33-50/60C		7618967
13ACXN060-230	TXV	57000	13	11	CH33-60D		7618968
13ACXN060-230	TXV	57000	13	11	CH33-60D		7618983
13ACXN060-230	TXV	57000	13	11	CH33-62D		7618984
13ACXN060-230	TXV	57000	13	11	CH33-62D		7618969
13ACXN060-230	TXV	57000	13	11	CH33-62D		7618985
13ACXN060-230	TXV	58000	13	11	CH35-51C		7623483
13ACXN060-230	TXV	57500	13	11	CH35-60D		7623484
13ACXN060-230	TXV	56000	13	11	CR33-50/60		10304778
13ACXN060-230	TXV	56000	13	11	CR33-60D		7618986
13ACXN060-230	TXV	57500	13	11	CX35-49C		8266818
13ACXN060-230	TXV	59000	13	11	CX35-60C		8266873
13ACXN060-230	TXV	58000	13	11	CX35-60D		8266915
13ACXN060-230	TXV	57500	13	11	CX38-49C		10546062

NOTES:

TXV = Matched with Thermostatic Expansion Valve.

RFC = Matched with RFC metering device.

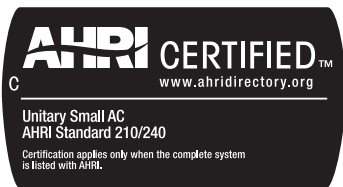
AHRI certified to AHRI Standard 210/240 (with 25 ft. of connecting refrigerant lines); 95°F outdoor air temperature, 80°F db / 67°F wb entering evaporator air.

All ratings include the use of a blower time delay relay (TDR). All Lennox variable-speed furnaces and Air Handlers have time delay capabilities. Other Furnaces and Air Handlers may require an optional time delay relay (**58M81**) for field installation. See furnace or air handler specifications to determine if relay is needed.

Also see Expansion Valve Kit Usage Table.

REVISIONS

Sections	Description of Change
AHRI System Matches	Updated



Visit us at www.lennox.com

For the latest technical information, www.LennoxPROs.com

Contact us at 1-800-4-LENNOX

NOTE - Due to Lennox' ongoing commitment to quality, Specifications, Ratings and Dimensions subject to change without notice and without incurring liability. Improper installation, adjustment, alteration, service or maintenance can cause property damage or personal injury. Installation and service must be performed by a qualified installer and servicing agency.

©2017 Lennox Industries, Inc.