



13HPX
MERIT® Series
R-410A

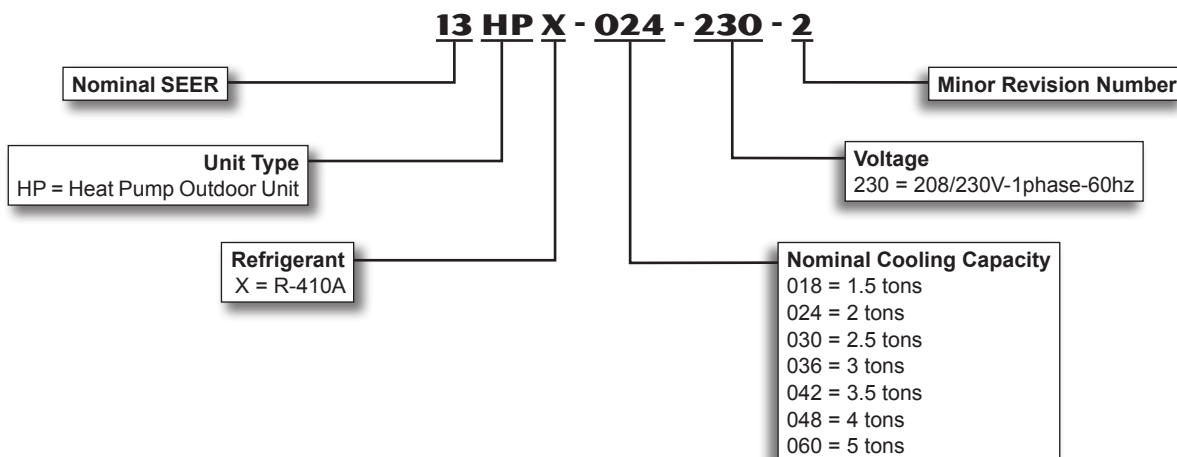
PRODUCT SPECIFICATIONS

Bulletin No. 210566
June 2015
Supersedes January 2015



SEER up to 15.00
1.5 to 5 Tons
Cooling Capacity - 17,800 to 59,500 Btuh
Heating Capacity - 16,900 to 56,000 Btuh

MODEL NUMBER IDENTIFICATION



FEATURES

CONTENTS

AHRI System Matches - All Regions (Limited Availability).....	10
Dimensions	7
Electrical Data.....	6
Features.....	2
Field Wiring.....	8
Installation Clearances	8
Model Number Identification	1
Optional Accessories	6
Sound Data	8
Specifications	6

WARRANTY

Compressor - Limited five year warranty in residential installations and five years in non-residential installations.

All other covered components - Five years in residential installations and one year in non-residential installations.

Refer to Lennox Equipment Limited Warranty certificate included with unit for specific details.

APPROVALS

AHRI Certified to AHRI Standard 210/240-2008.

Sound rated in Lennox reverberant sound test room in Accordance with test conditions included in AHRI Standard 270-2008.

Tested in the Lennox Research Laboratory environmental test room.

Rated According to U.S. Department of Energy (DOE) test procedures.

Units and components within bonded for grounding to meet safety standards for servicing required by UL, NEC and CEC.

Units are ETL certified for the U.S. and Canada.

ISO 9001 Registered Manufacturing Quality System.

APPLICATIONS

SEER up to 15.00.

HSPF up to 8.70.

1.5 through 5 tons.

Single phase power supply.

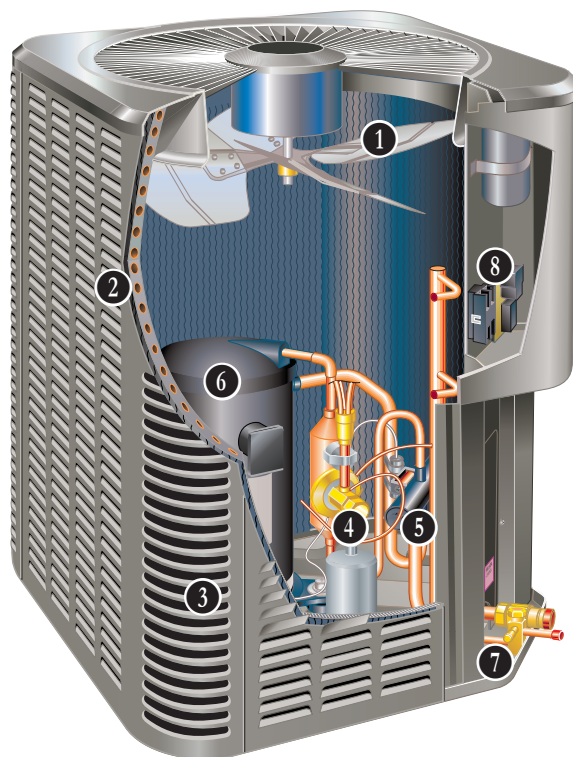
Sound levels as low as 76 dB

Vertical air discharge allows concealment behind shrubs at grade level or out of sight on a roof.

Designed for applications with remotely located indoor air handler units or gas furnaces with indoor add-on coils. When heat pumps are used with gas furnaces, a dual-fuel control or a control system with dual-fuel capabilities (i.e. Harmony III™, LZP-2 or LZP-4) must be used (order separately).

See Indoor Coils and Air Handlers sections for indoor unit data.

13HPX - 1.5 to 5 Ton Heat Pump / Page 2



Units shipped completely factory assembled, piped and wired. Each unit is test operated at the factory insuring proper operation.

Installer must set outdoor unit, connect refrigerant lines and make electrical connections to complete job.

For expanded ratings, see www.lennox.com.

REFRIGERATION SYSTEM

R-410A Refrigerant

Non-chlorine, ozone friendly, R-410A.

Unit is factory pre-charged with refrigerant. See Specification table.

Total system refrigerant charge is dependant on outdoor unit size, indoor unit size and refrigerant line length.

Refer to Installation Instructions for "Indoor Unit Match-Up and Sub-Cooling Charge Levels" to determine correct amount of charge required.



1 Outdoor Coil Fan

Direct drive fan moves large air volumes uniformly through entire condenser coil for high refrigerant cooling and heating capacity.

Vertical air discharge minimizes operating sounds and eliminates damage to lawn and shrubs.

Fan motor has sleeve bearings and is inherently protected.

Motor totally enclosed for maximum protection from weather, dust and corrosion.

Rain shield on motor provides additional protection from moisture.

Louvered steel top fan guard furnished as standard.

Fan service access accomplished by removal of top panel.

FEATURES

REFRIGERATION SYSTEM (continued)

2 Copper Tube/Enhanced Fin Coil

Lennox designed and fabricated coil.

Ripple-edged aluminum fins.

Copper tube construction.

Lanced fins provide maximum exposure of fin surface to air stream resulting in excellent heat transfer.

Fin collars grip tubing for maximum contact area.

Flared shoulder tubing connections/silver soldering construction.

Coil is factory tested under high pressure to ensure leakproof construction.

3 Steel Louvered Panels provide complete coil protection.

Panels can be completely removed for servicing.

4 Expansion Valve - Outdoor Unit

Designed and sized specifically for use in heat pump system.

Sensing bulb is located on the suction line between the reversing valve and the compressor to sense evaporator suction temperature in any cycle.

Factory installed and piped.

High Pressure Switch

Protects the system from high pressure conditions that can be a result of fan failure or a blocked/dirty coil.

Automatic reset.

Low Pressure Switch

Shuts off unit if suction pressure falls below setting.

Provides loss of charge and freeze-up protection.

Automatic reset.

High Capacity Liquid Line Drier

Factory installed in the liquid line, the drier traps moisture or dirt that could contaminate the refrigerant system.

100% molecular-sieve, bead type bi-flow drier.

5 Reversing Valve

4-way interchange reversing valve effects a rapid change in direction of refrigerant flow resulting in quick changeover from cooling to heating and vice versa.

Valve operates on pressure differential between outdoor unit and indoor unit of the system. Factory installed.

Optional Accessories

Check/Expansion Valve Kits

Must be ordered separately and field installed on certain indoor units. See TXV Usage table.

Chatleff-style fittings.

Refrigerant Line Kits

Refrigerant lines (suction & liquid) are shipped refrigeration clean. Lines are cleaned, dried, pressurized and sealed at factory.

Suction line fully insulated.

Lines are stubbed at both ends.

Not available for -060 models. Must be field fabricated.

COMPRESSOR

6 Scroll Compressor

Compressor features high efficiency with uniform suction flow, constant discharge flow and high volumetric efficiency and quiet operation.

Compressor consists of two involute spiral scrolls matched together to generate a series of crescent shaped gas pockets between them.

During compression, one scroll remains stationary while the other scroll orbits around it.

Gas is drawn into the outer pocket, the pocket is sealed as the scroll rotates.

As the spiral movement continues, gas pockets are pushed to the center of the scrolls. Volume between the pockets is simultaneously reduced.

When pocket reaches the center, gas is now at high pressure and is forced out of a port located in the center of the fixed scrolls.

During compression, several pockets are compressed simultaneously resulting in a smooth continuous compression cycle.

Continuous flank contact, maintained by centrifugal force, minimizes gas leakage and maximizes efficiency.

Scroll compressor is tolerant to the effects of slugging and contaminants. If this occurs, scrolls separate, allowing liquid or contaminants to be worked toward the center and discharged.

Low gas pulses during compression reduces operational sound levels.

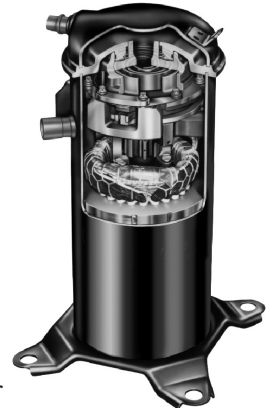
Compressor motor is internally protected from excessive current and temperature.

Muffler in discharge line reduces operating sound levels.

Compressor is installed in the unit on resilient rubber mounts for vibration free operation.

Compressor Crankcase Heater (Factory installed on -042-048-060 models)

Protects against refrigerant migration that can occur during low ambient operation.



FEATURES

COMPRESSOR (continued)

Optional Accessories

Compressor Crankcase Heater (Optional for -018 -024-030-036 models)

Protects against refrigerant migration that can occur during low ambient operation.

Compressor Sound Cover

A reinforced vinyl compressor cover containing a 1-1/2 inch thick batt of fiberglass insulation.

All open edges are sealed with a one-inch wide hook and loop fastening tape.

CABINET

Heavy gauge steel cabinet with five station metal wash process.

Louvered heavy gauge steel panels surround unit on all four sides to prevent damage to the coil.

Powder paint finish provides superior rust and corrosion protection.

Control box is conveniently located with all controls factory wired.

Corner patch plate allows access to compressor components.

Drainage holes are provided in base section for moisture removal.

PermaGuard™ Unit Base

Durable zinc-coated base section resists rust and corrosion.

7 Refrigerant Line Connections, Electrical Inlets, Service Valves

Sweat connection vapor and liquid lines are located on corner of unit cabinet.

Fully serviceable brass service valves prevent corrosion and provide access to refrigerant system. Vapor valve can be fully shut off, while liquid valve may be front seated to manage refrigerant charge while servicing system.

Refrigerant line connections and field wiring inlets are located in one central area of cabinet for easy access. See dimension drawing.

Optional Accessories

Mounting Base

Provides permanent foundation for outdoor units.

High density polyethylene structural material is lightweight, sturdy, sound absorbing and will withstand the rigors of the sun, heat, cold, moisture, oil and refrigerant. Will not mildew or rot.

Can be shipped singly or in packages of 6 to a carton.

Unit Stand-Off Kit

Black high density polyethylene feet are available to raise unit off of mounting surface away from damaging moisture.

Four feet are furnished per order number.

CONTROLS

8 Defrost Control

Solid-state time/temperature defrost control is furnished as standard equipment.

Control initiates a defrost cycle every 30, 60 or 90 minutes of compressor "on" time at outdoor coil temperatures below 42°F (factory setting 90 minutes).

Anti-short cycle, timed-off control incorporated into the board.

High and low pressure switch monitoring with five-trip lockout.

Diagnostic LEDs furnished as an aid in troubleshooting.

Conveniently located in control box.

Optional Accessories

Compressor Hard Start Kit

Single-phase units are equipped with a PSC compressor motor. This type of motor normally doesn't need a potential relay and start capacitor.

In conditions such as low voltage, this kit may be required to increase the compressor starting torque.

Compressor Low Ambient Cut-Off

Non-adjustable switch (low ambient cut-out) prevents compressor operation when outdoor temperature is below 35°F.

Freezestat

Installs on or near the vapor line of the indoor coil or on the suction line.

Senses suction line temperature and cycles the compressor off when suction line temperature falls below it's setpoint.

Opens at 29°F and closes at 58°F.

Indoor Blower Off Delay Relay

Delays the indoor blower-off time during the cooling cycle.

See AHRI System Matches for usage.

Low Ambient Kit

Heat pump in the cooling mode will operate satisfactorily down to 45°F outdoor air temperature without any additional controls.

Low Ambient Control Kit can be field installed, allowing unit operation down to 30°F.

Crankcase heater and freezestat should be installed on compressors equipped with a low ambient kit.

A Compressor Low Ambient Cut-Off should be added to terminate compressor operation below recommended operation conditions.

FEATURES

CONTROLS (continued)

Optional Accessories

Low Pressure Switch Bypass Thermostat

For use in applications where the heat pump is operated in outdoor ambient temperatures below 15°F.

Prevents nuisance trips from the low pressure switch.

Wired in parallel with the low pressure switch.

Mild Weather Kit

Heat pump units operate satisfactorily in the heating mode at outdoor air temperatures up to 75°F.

Mild Weather Kit can be field installed, allowing heating operation above 75°F.

Monitor Kit - Service Light

Contains ambient compensating thermistor and service light thermostat.

For use with thermostats requiring input for indicator lights.

Outdoor Thermostat Kit

An outdoor thermostat can be used to lock out some of the electric heating elements on indoor units where two stage control is applicable.

Outdoor thermostat maintains the heating load on the low power input as long as possible before allowing the full power load to come on the line.

Thermostat kit and mounting box must be ordered separately.

Thermostat

Thermostat not furnished with unit. See Thermostat bulletins in Controls Section and Lennox Price Book.

SPECIFICATIONS									
General Data		Model No.	13HPX-018	13HPX-024	13HPX-030	13HPX-036	13HPX-042	13HPX-048	13HPX-060
Nominal Tonnage			1.5	2	2.5	3	3.5	4	5
Liquid line o.d. - in.			3/8	3/8	3/8	3/8	3/8	3/8	3/8
Vapor line o.d. - in.			3/4	3/4	3/4	3/4	7/8	7/8	1-1/8
¹ Refrigerant (R-410A) furnished			5 lbs. 13 oz.	4 lbs. 6 oz.	6 lbs. 2 oz.	6 lbs. 6 oz.	7 lbs. 4 oz.	9 lbs. 11 oz.	9 lbs. 11 oz.
Outdoor Coil	Net face area	Outer coil	15.11	15.11	16.33	21.00	24.50	18.67	21.00
	sq. ft.	Inner coil	---	---	---	---	---	18.01	20.27
		Tube diameter - in.	5/16	5/16	5/16	5/16	5/16	5/16	5/16
		Number of rows	1	1	1	1	1	2	2
		Fins per inch	22	22	22	22	22	22	22
Outdoor Fan	Diameter - in.		18	18	22	22	22	22	22
	Number of blades		3	3	3	3	4	4	4
	Motor hp		1/10	1/10	1/6	1/6	1/4	1/4	1/3
	Cfm		2215	2215	2770	2890	3520	3375	3875
	Rpm		1040	1040	848	847	844	833	815
	Watts		145	145	200	200	285	290	325
Shipping Data - lbs. 1 package			156	156	168	187	223	236	253
ELECTRICAL DATA									
Line voltage data - 60 hz - 1ph			208/230V	208/230V	208/230V	208/230V	208/230V	208/230V	208/230V
² Maximum overcurrent protection (amps)			20	30	30	35	45	50	60
³ Minimum circuit ampacity			11.9	18.0	18.7	22.0	28.1	31.9	36.0
Compressor	Rated load amps		9.0	13.5	12.4	16.7	21.2	24.2	27.6
	Locked rotor amps		48	58.3	59	70	90	100	120
	Power factor		0.98	0.98	0.98	0.99	0.99	0.99	0.99
Outdoor Fan Motor	Full load amps		0.7	0.8	0.7	0.9	1.4	1.5	1.8
	Locked rotor amps		1.4	1.4	1.9	1.9	3.1	3.1	2.9
OPTIONAL ACCESSORIES - ORDER SEPARATELY									
Compressor Crankcase Heater		93M04	•	•	•	•	Factory	Factory	Factory
Compressor Hard Start Kit		10J42	•						
		88M91		•	•	•	•	•	•
Compressor Low Ambient Cut-Off		45F08	•	•	•	•	•	•	•
Compressor Sound Cover		69J03	•	•	•	•	•	•	•
Freezestat	3/8 in. tubing		93G35	•	•	•	•	•	•
	5/8 in. tubing		50A93	•	•	•	•	•	•
Indoor Blower Off Delay Relay		58M81	•	•	•	•	•	•	•
⁴ Low Ambient Kit		54M89	•	•	•	•	•	•	•
Low Pressure Switch Bypass Thermostat		13W07	•	•	•	•	•	•	•
Mild Weather Kit		33M07	•	•	•	•	•	•	•
Monitor Kit - Service Light		76F53	•	•	•	•	•	•	•
Mounting Base		69J06	•	•	•	•			
		69J07	•	•	•	•	•	•	•
Outdoor Thermostat Kit	Thermostat		56A87	•	•	•	•	•	•
	Mounting Box		31461	•	•	•	•	•	•
Refrigerant Line Sets	L15-41-20, L15-41-30, L15-41-40, L15-41-50		•	•	•	•			
	L15-65-30, L15-65-40, L15-65-50						•	•	
	Field Fabricate								•
Unit Stand-Off Kit		94J45	•	•	•	•	•	•	•

NOTE - Extremes of operating range are plus 10% and minus 5% of line voltage.

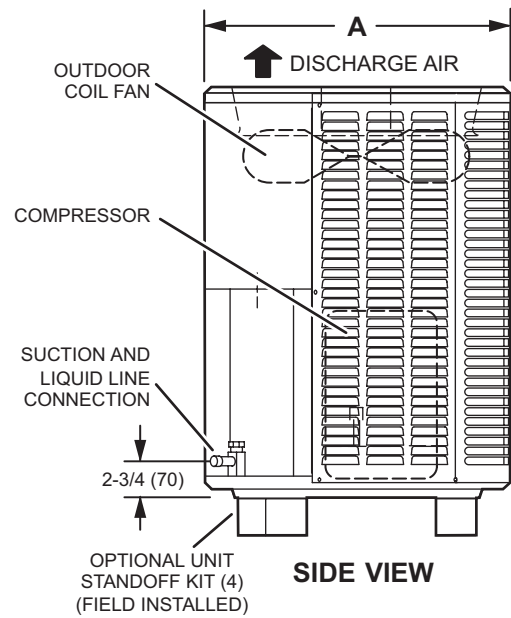
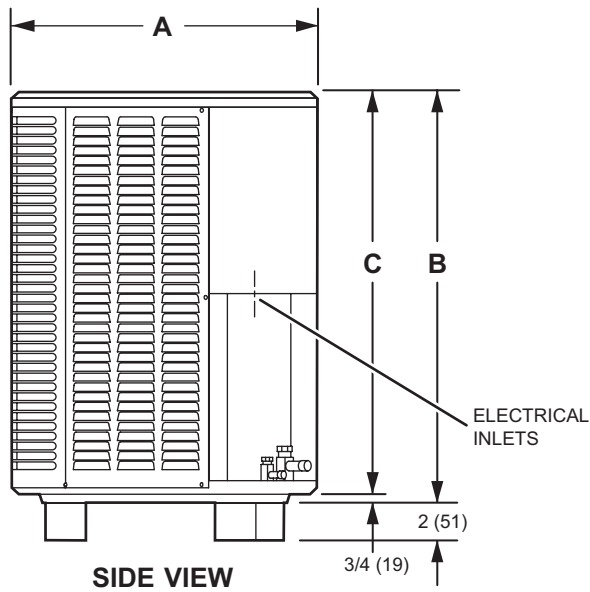
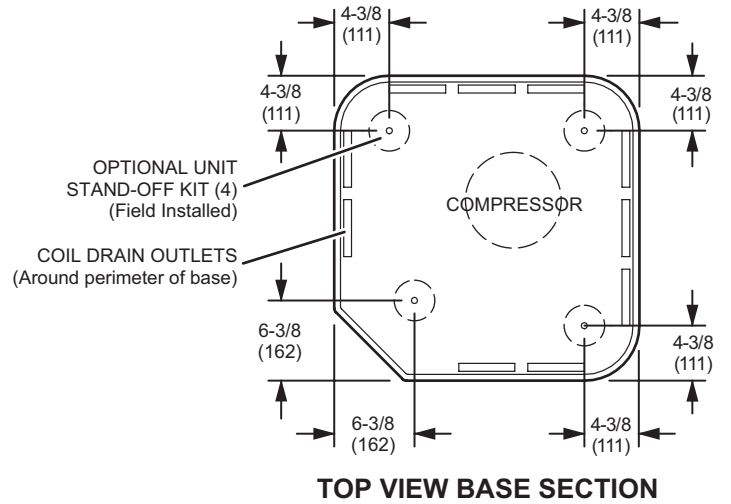
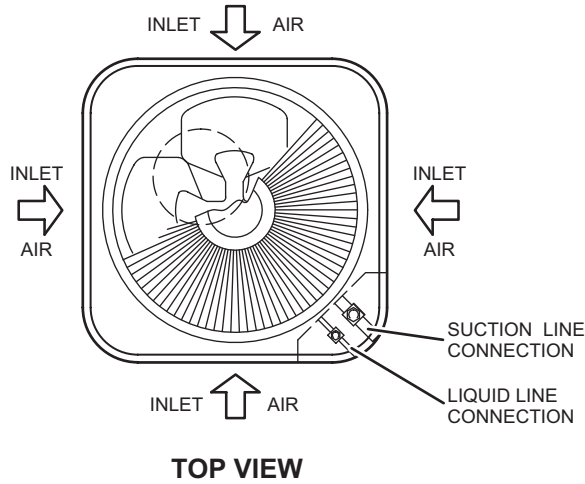
¹ Refrigerant charge sufficient for 15 ft. length of refrigerant lines. For longer line set requirements see the Installation Instructions for information about line set length and additional refrigerant charge required.

² HACR type circuit breaker or fuse.

³ Refer to National or Canadian Electrical Code manual to determine wire, fuse and disconnect size requirements.

⁴ Crankcase Heater and Freezestat are recommended with Low Ambient Kit.

DIMENSIONS - INCHES (MM)



Model No.	A		B		C	
	inches	mm	inches	mm	inches	mm
13HPX-018	24-1/4	616	33-1/4	845	32-1/2	826
13HPX-024						
13HPX-030	28-1/4	716	29-1/4	743	28-1/2	724
13HPX-036	28-1/4	716	37-1/4	946	36-1/2	927
13HPX-042	28-1/4	718	43-1/4	1099	42-1/4	1073
13HPX-048	28-1/4	718	33-1/4	845	32-1/2	826
13HPX-060	28-1/4	718	37-1/4	946	36-1/2	927

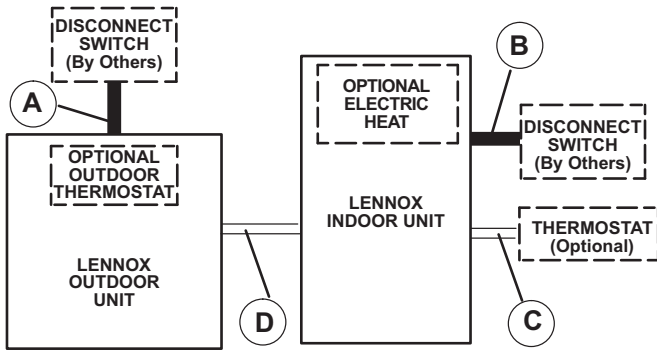
SOUND DATA

1 Unit Model No.	Octave Band Linear Sound Power Levels dB, re 10 ⁻¹² Watts Center Frequency - HZ							1 Sound Rating Number (dB)
	125	250	500	1000	2000	4000	8000	
13HPX-018	70.5	67	68	67	65.5	60.5	57.5	76
13HPX-024	67.5	66.5	69.5	70	66.5	60.5	56	76
13HPX-030	70.5	69.5	71.5	72.5	67.5	63.5	60	76
13HPX-036	69.5	70.5	71.5	69.5	68.5	62.5	60.5	76
13HPX-042	75.5	79.5	79.5	75.5	70	63.5	58.5	80
13HPX-048	75.5	74.5	75	73.5	70	66.5	63.5	80
13HPX-060	79	75	75	73	69.5	64.5	58	80

NOTE - the octave sound power data does not include tonal correction.

¹ Tested according to AHRI Standard 270-2008 test conditions.

FIELD WIRING



A - Two Wire Power (see Electrical Data)

B - Two or Three Wire Power (size to heater capacity)

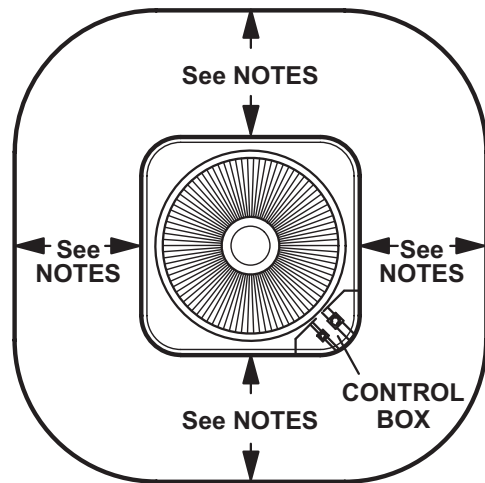
C - Twelve Wire Low Voltage 18 ga. minimum
Fourteen Wire Low Voltage with Optional Outdoor Thermostat

D - Eight Wire Low Voltage 18 ga. minimum
Ten Wire Low Voltage with Optional Outdoor Thermostat

NOTE - Field Wiring Not Furnished

All wiring must conform to NEC or CEC and local electrical codes.

INSTALLATION CLEARANCES - IN. (MM)



NOTES:

Service clearance of 30 in. (762 mm) must be maintained on one of the sides adjacent to the control box.

Clearance to one of the other three sides must be 36 in. (914 mm)

Clearance to one of the remaining two sides may be 12 in. (305 mm) and the final side may be 6 in. (152 mm).

A clearance of 24 in. must be maintained between two units.
48 in. (1219 mm) clearance required on top of unit.

TXV USAGE

Use this table for C33, CH23, CH33 and CR33 Field Installed TXV Match-Ups.

Model No.	Order No.
13HPX-018	12J18
13HPX-024	12J18
13HPX-030	12J18
13HPX-036	12J19
13HPX-042	12J20
13HPX-048	12J20
13HPX-060	12J20

CX34 upflow coils and all Lennox air handlers are shipped with a factory installed TXV. In most cases, no change out of the valve is needed.

If a change out is required it will be listed in the "TXV SUBSTITUTIONS" table. The correct TXV must be ordered and field installed.

C33 and CH33 coils - Replace the factory installed orifice with the expansion valve listed.

CR33 and CH23 - Use the expansion valve listed.

MOST POPULAR MATCHES

Outdoor Model No.	Outdoor Model No
13HPX-018	CBX26UH-018
13HPX-024	CBX26UH-024
13HPX-030	CBX26UH-030
13HPX-036	CBX26UH-036
13HPX-042	CBX26UH-042
13HPX-048	CBX26UH-048
13HPX-060	CBX26UH-060

AHRI STANDARD 210/240

Cooling or heating capacities are net values, including the effects of blower motor heat, and do not include supplementary heat. Power input is the total power input to the compressor(s) and fan(s), plus any controls and other items required as part of the system for normal operation.

*TXV SUBSTITUTIONS

Use this table to determine if the factory installed TXV in the indoor unit needs to be replaced.

Model No.	Air Handlers	Factory TXV	Replacement TXV
13HPX-042	CBX32MV-036	12J19	12J20
13HPX-042	CBX40UHV-36	12J19	12J20

Air Handlers - The factory installed expansion valve must be replaced with the expansion valve listed (ordered separately).

If the combination is not listed above, the factory installed TXV is used.

Units which do not have an indoor air-circulating blower furnished as part of the model, i.e., split system with indoor coil only, is established by subtracting from the total cooling capacity 1250 Btu/h per 1,000 cfm, and by adding the same amount to the heating capacity. Total power input for both heating and cooling is increased by 365 W per 1,000 cfm of indoor air circulated.

AHRI SYSTEM MATCHES - ALL REGIONS (LIMITED AVAILABILITY)

Model No.	Cooling Capacity	SEER	EER	Heat Capacity		Heat COP		HSPF (IV)	Coil or Air Handler	Furnace	AHRI Reference
				High	Low	High	Low				
13HPX-018-230	19,500	14.50	12.50	17,100	11,000	3.58	2.44	8.20	C33-25	EL180UH045E36A	7043416
13HPX-018-230	19,500	14.50	12.50	17,100	11,000	3.58	2.44	8.20	C33-25	EL180UH045XE36A	7043417
13HPX-018-230	18,900	13.00	11.00	17,400	11,400	3.26	2.28	7.70	C33-25		7043409
13HPX-018-230	18,300	13.00	11.00	17,200	10,900	3.26	2.26	7.70	CBX25UH-018		7043415
13HPX-018-230	17,800	13.00	10.50	17,400	11,400	3.28	2.28	7.70	CBX25UH-024		7043420
13HPX-018-230	18,700	14.50	12.00	16,900	10,600	3.42	2.36	8.00	CBX25UHV-018		7043421
13HPX-018-230	19,200	13.50	11.00	17,200	10,900	3.72	2.5	7.70	CBX27UH-024		7043413
13HPX-018-230	18,700	13.00	11.00	17,500	11,300	3.40	2.32	7.70	CBX32M-018/024		7043411
13HPX-018-230	19,100	13.20	11.60	17,300	11,100	3.56	2.42	7.70	CBX32MV-018/024		7043410
13HPX-018-230	19,100	13.20	11.60	17,300	11,100	3.60	2.46	7.70	CBX32MV-024/030		7043414
13HPX-018-230	19,300	13.00	11.00	17,500	11,200	3.68	2.48	7.70	CBX40UHV-024		7043412
13HPX-018-230	19,100	15.00	12.50	17,100	10,900	3.64	2.46	8.20	CH33-25A	EL180UH045E36A	7043424
13HPX-018-230	19,100	15.00	12.50	17,100	10,900	3.64	2.46	8.20	CH33-25A	EL180UH045XE36A	7043425
13HPX-018-230	18,400	13.00	11.00	17,500	11,300	3.36	2.3	7.70	CH33-25A		7043406
13HPX-018-230	19,000	14.50	12.50	17,000	10,900	3.56	2.44	8.20	CH33-36A	EL180UH045E36A	7043418
13HPX-018-230	19,000	14.50	12.50	17,000	10,900	3.56	2.44	8.20	CH33-36A	EL180UH045XE36A	7043419
13HPX-018-230	18,400	13.00	11.00	17,400	11,200	3.26	2.24	7.70	CH33-36A		7043407
13HPX-018-230	19,300	15.00	12.50	17,700	10,900	3.82	2.5	8.50	CR33-30/36	EL180DF045E36A	7043422
13HPX-018-230	19,000	14.50	12.00	17,800	11,000	3.70	2.42	8.20	CR33-30/36	EL180DF070E36B	7043423
13HPX-018-230	18,600	13.00	11.00	17,900	11,300	3.44	2.32	7.70	CR33-30/36		7043408
13HPX-018-230	19,500	14.50	12.50	17,100	11,000	3.58	2.44	8.20	CX34-25	EL180UH045E36A	7043426
13HPX-018-230	19,500	14.50	12.50	17,100	11,000	3.58	2.44	8.20	CX34-25	EL180UH045XE36A	7043427
13HPX-018-230	18,900	13.00	11.00	17,400	11,400	3.26	2.28	7.70	CX34-25		7043405
13HPX-024-230	24,800	14.00	12.00	20,800	13,600	3.52	2.46	8.20	C33-25	EL180UH045E36A	7043446
13HPX-024-230	24,800	14.00	12.00	20,800	13,600	3.52	2.46	8.20	C33-25	EL180UH045XE36A	7043447
13HPX-024-230	25,000	14.00	12.00	20,800	13,400	3.60	2.48	8.50	C33-25	EL180UH070E36B	7043442
13HPX-024-230	25,000	14.00	12.00	20,800	13,400	3.60	2.48	8.50	C33-25	EL180UH070XE36B	7043440
13HPX-024-230	24,800	14.00	12.00	20,800	13,400	3.52	2.42	8.20	C33-25	EL195UH045XE36B	7043490
13HPX-024-230	24,800	14.00	12.00	20,800	13,400	3.58	2.46	8.50	C33-25	EL195UH070XE36B	7043482
13HPX-024-230	24,800	14.00	12.00	20,800	13,400	3.52	2.42	8.20	C33-25	EL296UH045XE36B	7043460
13HPX-024-230	24,800	14.00	12.00	20,800	13,400	3.58	2.46	8.50	C33-25	EL296UH070XE36B	7043452
13HPX-024-230	24,800	14.00	12.00	20,800	13,400	3.60	3.6	8.50	C33-25	EL296UH070XV36B	7043477
13HPX-024-230	25,000	14.00	12.00	20,800	13,600	3.56	2.46	8.20	C33-25	SL280UH070V36A	7043466
13HPX-024-230	25,000	14.00	12.20	20,800	13,400	3.64	2.5	8.50	C33-25	SL280UH090V36B	7043463
13HPX-024-230	24,800	14.00	12.00	20,800	13,400	3.52	2.42	8.20	C33-25	SL280UH090V48B	7043487
13HPX-024-230	24,800	14.00	12.00	20,800	13,400	3.60	2.46	8.50	C33-25	SLP98UH070XV36B	7043472
13HPX-024-230	24,400	13.00	11.00	21,200	14,000	3.28	2.3	7.70	C33-25		7043431
13HPX-024-230	23,400	13.00	11.00	21,400	14,100	3.34	2.34	8.00	CBX25UH-024		7043453
13HPX-024-230	24,000	13.00	11.00	21,600	14,200	3.42	2.38	8.00	CBX25UH-030		7043444
13HPX-024-230	24,000	14.00	12.20	21,000	13,600	3.56	2.46	8.20	CBX25UHV-024		7043438
13HPX-024-230	24,800	14.00	11.50	21,000	13,700	3.76	2.58	8.50	CBX27UH-024		7043435
13HPX-024-230	25,000	14.00	11.50	21,000	13,700	3.84	2.62	8.50	CBX27UH-030		7043493
13HPX-024-230	24,400	13.00	11.00	21,600	14,100	3.66	2.5	8.50	CBX32M-030		7043434
13HPX-024-230	24,400	13.00	11.50	21,600	14,000	3.56	2.46	8.00	CBX32MV-018/024		7043432
13HPX-024-230	25,000	13.00	11.50	21,400	14,000	3.78	2.58	8.00	CBX32MV-024/030		7043433
13HPX-024-230	25,200	13.00	11.50	21,400	14,000	3.84	2.6	8.00	CBX32MV-036		7043436
13HPX-024-230	25,000	13.50	11.00	21,200	13,800	3.82	2.58	8.50	CBX40UHV-024		7043437

NOTES:

Ratings are AHRI certified to AHRI Standard 210/240 (with 25 ft. of connecting refrigerant lines);

- Cooling Ratings - 95°F outdoor air temperature and 80°F db/67°F wb entering indoor coil air.

- High Temperature Heating Ratings - 47°F db/43°F wb outdoor air temperature and 70°F db entering indoor coil air.

- Low Temperature Heating Ratings - 17°F db/15°F wb outdoor air temperature and 70°F db entering indoor coil air.

All ratings include the use of a blower time delay relay (TDR). All Lennox variable-speed Furnaces and Air Handlers have time delay capabilities. Other Furnaces and Air Handlers may require an optional time delay relay (**58M81**) for field installation. See furnace or air handler specifications to determine if relay is needed.

Also see TXV Substitution Table at the beginning of the Heat Pump AHRI System Matches section.

When used with gas furnaces, a dual-fuel control, a control system with dual-fuel capabilities (LZP-2 or LZP-4), or a thermostat with dual-fuel capabilities must be used (order separately).

To convert HSPF from Region IV to Region V - Divide by 1.15.

AHRI SYSTEM MATCHES - ALL REGIONS (LIMITED AVAILABILITY)

Model No.	Cooling Capacity	SEER	EER	Heat Capacity		Heat COP		HSPF (IV)	Coil or Air Handler	Furnace	AHRI Reference
				High	Low	High	Low				
13HPX-024-230	24,600	14.00	12.00	20,600	13,500	3.62	2.5	8.70	CH33-25B	EL180UH070E36B	7043441
13HPX-024-230	24,600	14.00	12.00	20,600	13,500	3.62	2.5	8.70	CH33-25B	EL180UH070XE36B	7043439
13HPX-024-230	24,400	14.00	12.00	20,600	13,500	3.56	2.46	8.50	CH33-25B	EL195UH045XE36B	7043491
13HPX-024-230	24,600	14.00	12.00	20,400	13,500	3.60	2.5	8.50	CH33-25B	EL195UH070XE36B	7043483
13HPX-024-230	24,400	14.00	12.00	20,600	13,500	3.56	2.46	8.50	CH33-25B	EL296UH045XE36B	7043459
13HPX-024-230	24,600	14.00	12.00	20,400	13,500	3.60	2.5	8.50	CH33-25B	EL296UH070XE36B	7043451
13HPX-024-230	24,600	14.00	12.00	20,400	13,500	3.58	3.58	8.50	CH33-25B	EL296UH070XV36B	7043475
13HPX-024-230	24,600	14.00	12.00	20,600	13,500	3.66	2.54	8.50	CH33-25B	SL280UH090V36B	7043464
13HPX-024-230	24,400	14.00	12.00	20,600	13,500	3.56	2.46	8.20	CH33-25B	SL280UH090V48B	7043495
13HPX-024-230	24,600	14.00	12.00	20,400	13,500	3.58	2.5	8.50	CH33-25B	SLP98UH070XV36B	7043469
13HPX-024-230	24,400	13.00	11.00	21,200	14,300	3.32	2.34	8.00	CH33-25B		7043429
13HPX-024-230	24,600	14.00	12.00	20,400	13,500	3.58	2.5	8.50	CH33-36B	EL180UH070E36B	7043448
13HPX-024-230	24,600	14.00	12.00	20,400	13,500	3.58	2.5	8.50	CH33-36B	EL180UH070XE36B	7043450
13HPX-024-230	24,200	14.00	12.00	20,400	13,500	3.50	2.46	8.50	CH33-36B	EL195UH045XE36B	7043492
13HPX-024-230	24,400	14.00	12.00	20,400	13,400	3.58	2.48	8.50	CH33-36B	EL195UH070XE36B	7043484
13HPX-024-230	24,200	14.00	12.00	20,400	13,500	3.50	2.46	8.50	CH33-36B	EL296UH045XE36B	7043467
13HPX-024-230	24,400	14.00	12.00	20,400	13,400	3.58	2.48	8.50	CH33-36B	EL296UH070XE36B	7043462
13HPX-024-230	24,400	14.00	12.00	20,400	13,400	3.58	3.58	8.50	CH33-36B	EL296UH070XV36B	7043476
13HPX-024-230	24,600	14.00	12.00	20,400	13,400	3.62	2.5	8.50	CH33-36B	SL280UH090V36B	7043474
13HPX-024-230	24,200	14.00	11.70	20,600	13,500	3.54	2.46	8.20	CH33-36B	SL280UH090V48B	7043496
13HPX-024-230	24,400	14.00	12.00	20,400	13,400	3.58	2.48	8.50	CH33-36B	SLP98UH070XV36B	7043470
13HPX-024-230	23,600	14.00	12.00	20,600	13,600	3.58	2.5	8.50	CR33-30/36	EL180DF045E36A	7043454
13HPX-024-230	24,000	14.50	12.00	20,800	13,700	3.74	2.58	8.70	CR33-30/36	EL180DF070E36B	7043455
13HPX-024-230	23,800	14.50	12.00	20,600	13,700	3.62	2.54	8.70	CR33-30/36	EL195DF045XE36B	7043488
13HPX-024-230	24,000	14.00	12.00	20,800	13,700	3.72	2.56	8.70	CR33-30/36	EL195DF070XE48B	7043489
13HPX-024-230	23,800	14.50	12.00	20,600	13,700	3.62	2.54	8.70	CR33-30/36	EL296DF045XE36B	7043468
13HPX-024-230	24,000	14.50	12.20	20,800	13,800	3.70	2.56	8.70	CR33-30/36	EL296DF045XV36B	7505749
13HPX-024-230	24,000	14.00	12.00	20,800	13,700	3.72	2.56	8.70	CR33-30/36	EL296DF070XE48B	7043457
13HPX-024-230	24,200	14.50	12.20	21,000	13,900	3.70	2.54	8.70	CR33-30/36	EL296DF070XV48B	7487533
13HPX-024-230	23,800	14.00	12.00	20,800	13,700	3.64	2.52	8.50	CR33-30/36	SL280DF070V36A	7043497
13HPX-024-230	23,800	14.00	12.00	20,600	13,600	3.64	2.54	8.50	CR33-30/36	SL280DF090V48B	7043498
13HPX-024-230	24,000	14.00	12.00	20,800	13,700	3.74	2.58	8.70	CR33-30/36	SLP98DF070XV36B	7043471
13HPX-024-230	23,400	13.00	11.00	21,200	14,200	3.38	2.38	8.20	CR33-30/36		7043430
13HPX-024-230	24,800	14.00	12.00	20,800	13,600	3.52	2.46	8.20	CX34-25	EL180UH045E36A	7043456
13HPX-024-230	24,800	14.00	12.00	20,800	13,600	3.52	2.46	8.20	CX34-25	EL180UH045XE36A	7043445
13HPX-024-230	25,000	14.00	12.00	20,800	13,400	3.60	2.48	8.50	CX34-25	EL180UH070E36B	7043443
13HPX-024-230	25,000	14.00	12.00	20,800	13,400	3.60	2.48	8.50	CX34-25	EL180UH070XE36B	7043449
13HPX-024-230	24,800	14.00	12.00	20,800	13,400	3.52	2.42	8.20	CX34-25	EL195UH045XE36B	7043481
13HPX-024-230	24,800	14.00	12.00	20,800	13,400	3.58	2.46	8.50	CX34-25	EL195UH070XE36B	7043485
13HPX-024-230	24,800	14.00	12.00	20,800	13,400	3.52	2.42	8.20	CX34-25	EL296UH045XE36B	7043458
13HPX-024-230	24,800	14.00	12.00	20,800	13,400	3.58	2.46	8.50	CX34-25	EL296UH070XE36B	7043461
13HPX-024-230	24,800	14.00	12.00	20,800	13,400	3.60	3.6	8.50	CX34-25	EL296UH070XV36B	7043486
13HPX-024-230	25,000	14.00	12.00	20,800	13,600	3.56	2.46	8.20	CX34-25	SL280UH070V36A	7043473
13HPX-024-230	25,000	14.00	12.20	20,800	13,400	3.64	2.5	8.50	CX34-25	SL280UH090V36B	7043465
13HPX-024-230	24,800	14.00	12.00	20,800	13,400	3.52	2.42	8.20	CX34-25	SL280UH090V48B	7043494
13HPX-024-230	24,800	14.00	12.00	20,800	13,400	3.60	2.46	8.50	CX34-25	SLP98UH070XV36B	7043480
13HPX-024-230	24,400	13.00	11.00	21,200	14,000	3.28	2.3	7.70	CX34-25		7043428

NOTES:

Ratings are AHRI certified to AHRI Standard 210/240 (with 25 ft. of connecting refrigerant lines);

- Cooling Ratings - 95°F outdoor air temperature and 80°F db/67°F wb entering indoor coil air.
- High Temperature Heating Ratings - 47°F db/43°F wb outdoor air temperature and 70°F db entering indoor coil air.
- Low Temperature Heating Ratings - 17°F db/15°F wb outdoor air temperature and 70°F db entering indoor coil air.

All ratings include the use of a blower time delay relay (TDR). All Lennox variable-speed Furnaces and Air Handlers have time delay capabilities. Other Furnaces and Air Handlers may require an optional time delay relay (**58M81**) for field installation. See furnace or air handler specifications to determine if relay is needed.

Also see TXV Substitution Table at the beginning of the Heat Pump AHRI System Matches section.

When used with gas furnaces, a dual-fuel control, a control system with dual-fuel capabilities (LZP-2 or LZP-4), or a thermostat with dual-fuel capabilities must be used (order separately).

To convert HSPF from Region IV to Region V - Divide by 1.15.

AHRI SYSTEM MATCHES - ALL REGIONS (LIMITED AVAILABILITY)

Model No.	Cooling Capacity	SEER	EER	Heat Capacity		Heat COP		HSPF (IV)	Coil or Air Handler	Furnace	AHRI Reference
				High	Low	High	Low				
13HPX-030-230	30,600	14.00	11.50	26,800	17,100	3.52	2.42	8.20	C33-31	EL180UH045E36A	7043520
13HPX-030-230	30,600	14.00	11.50	26,800	17,100	3.52	2.42	8.20	C33-31	EL180UH045XE36A	7043529
13HPX-030-230	30,400	14.00	11.50	26,600	16,900	3.54	2.44	8.20	C33-31	EL180UH070E36B	7043516
13HPX-030-230	30,400	14.00	11.50	26,600	16,900	3.54	2.44	8.20	C33-31	EL180UH070XE36B	7043525
13HPX-030-230	30,600	14.00	11.50	26,800	17,000	3.58	2.46	8.50	C33-31	EL180UH090E48B	7043521
13HPX-030-230	30,600	14.00	11.50	26,800	17,000	3.58	2.46	8.50	C33-31	EL180UH090XE48B	7043533
13HPX-030-230	30,400	14.00	11.50	26,800	17,200	3.50	2.42	8.20	C33-31	EL195UH045XE36B	7043576
13HPX-030-230	30,400	14.00	11.50	26,800	17,100	3.54	2.42	8.20	C33-31	EL195UH070XE36B	7043568
13HPX-030-230	30,400	14.00	11.50	26,800	17,200	3.50	2.42	8.20	C33-31	EL296UH045XE36B	7043546
13HPX-030-230	30,400	14.00	11.50	26,800	17,100	3.54	2.42	8.20	C33-31	EL296UH070XE36B	7043547
13HPX-030-230	30,400	14.00	11.50	26,800	17,100	3.54	2.44	8.20	C33-31	EL296UH070XV36B	7043563
13HPX-030-230	30,600	14.00	11.50	26,800	17,000	3.56	2.44	8.20	C33-31	SL280UH070V36A	7043548
13HPX-030-230	30,600	14.00	11.50	26,600	17,000	3.58	2.46	8.50	C33-31	SL280UH090V36B	7043542
13HPX-030-230	30,600	14.00	11.50	26,800	17,100	3.58	2.46	8.50	C33-31	SL280UH090V48B	7043572
13HPX-030-230	30,400	14.00	11.50	26,800	17,100	3.54	2.44	8.20	C33-31	SLP98UH070XV36B	7043559
13HPX-030-230	30,000	13.00	10.85	27,400	17,700	3.34	2.32	8.00	C33-31		7043503
13HPX-030-230	28,400	13.00	11.00	27,000	17,300	3.46	2.38	8.00	CBX25UH-030		7043530
13HPX-030-230	28,400	13.00	11.00	27,200	17,300	3.48	2.38	8.00	CBX25UH-036		7043510
13HPX-030-230	29,000	14.00	11.50	26,400	16,700	3.58	2.46	8.20	CBX25UHV-030		7043511
13HPX-030-230	30,800	14.00	11.50	27,200	17,100	3.80	2.58	8.50	CBX27UH-030		7043578
13HPX-030-230	30,800	14.00	11.50	27,200	17,100	3.84	2.6	8.50	CBX27UH-036		7043581
13HPX-030-230	30,600	13.50	11.00	27,600	17,500	3.70	2.52	8.50	CBX32M-036		7043505
13HPX-030-230	30,400	14.00	11.50	27,400	17,300	3.70	2.52	8.20	CBX32MV-024/030		7043504
13HPX-030-230	30,600	14.00	11.00	27,200	17,200	3.76	2.56	8.20	CBX32MV-036		7043508
13HPX-030-230	30,600	14.00	11.50	27,000	17,100	3.76	2.56	8.20	CBX40UHV-024		7043509
13HPX-030-230	30,800	14.00	11.50	27,200	17,200	3.78	2.58	8.20	CBX40UHV-030		7043506
13HPX-030-230	30,800	14.00	11.50	27,200	17,100	3.80	2.58	8.20	CBX40UHV-036		7043507
13HPX-030-230	29,200	14.00	12.00	26,400	16,800	3.60	2.48	8.50	CH33-31B	EL180UH070E36B	7043515
13HPX-030-230	29,200	14.00	12.00	26,400	16,800	3.60	2.48	8.50	CH33-31B	EL180UH070XE36B	7043526
13HPX-030-230	29,400	14.00	12.00	26,400	16,900	3.64	2.5	8.50	CH33-31B	EL180UH090E48B	7043518
13HPX-030-230	29,400	14.00	12.00	26,400	16,900	3.64	2.5	8.50	CH33-31B	EL180UH090XE48B	7043531
13HPX-030-230	29,200	14.00	11.50	26,600	17,000	3.56	2.44	8.50	CH33-31B	EL195UH045XE36B	7043577
13HPX-030-230	29,200	14.00	11.50	26,600	17,000	3.60	2.46	8.50	CH33-31B	EL195UH070XE36B	7043569
13HPX-030-230	29,200	14.00	11.50	26,600	17,000	3.56	2.44	8.50	CH33-31B	EL296UH045XE36B	7043539
13HPX-030-230	29,200	14.00	11.50	26,600	17,000	3.60	2.46	8.50	CH33-31B	EL296UH070XE36B	7043541
13HPX-030-230	29,200	14.00	11.50	26,600	17,000	3.60	2.48	8.50	CH33-31B	EL296UH070XV36B	7043561
13HPX-030-230	29,400	14.00	12.00	26,400	16,800	3.64	2.5	8.50	CH33-31B	SL280UH090V36B	7043551
13HPX-030-230	29,400	14.00	12.00	26,600	16,900	3.64	2.48	8.50	CH33-31B	SL280UH090V48B	7043582
13HPX-030-230	29,200	14.00	11.50	26,600	17,000	3.60	2.48	8.50	CH33-31B	SLP98UH070XV36B	7043555
13HPX-030-230	28,800	13.00	10.95	27,200	17,500	3.40	2.34	8.00	CH33-31B		7043500
13HPX-030-230	29,000	14.00	11.50	26,200	16,800	3.54	2.46	8.20	CH33-42	EL180UH070E36B	7043535
13HPX-030-230	29,000	14.00	11.50	26,200	16,800	3.54	2.46	8.20	CH33-42	EL180UH070XE36B	7043527
13HPX-030-230	29,200	14.00	11.50	26,400	16,800	3.60	2.46	8.50	CH33-42	EL180UH090E48B	7043519
13HPX-030-230	29,200	14.00	11.50	26,400	16,800	3.60	2.46	8.50	CH33-42	EL180UH090XE48B	7043534
13HPX-030-230	29,000	14.00	11.50	26,600	17,000	3.52	2.42	8.20	CH33-42	EL195UH045XE36B	7043566
13HPX-030-230	29,200	14.00	11.50	26,800	17,100	3.58	2.44	8.20	CH33-42	EL195UH070XE36B	7043570
13HPX-030-230	29,000	14.00	11.50	26,600	17,000	3.52	2.42	8.20	CH33-42	EL296UH045XE36B	7043537

NOTES:

Ratings are AHRI certified to AHRI Standard 210/240 (with 25 ft. of connecting refrigerant lines);

- Cooling Ratings - 95°F outdoor air temperature and 80°F db/67°F wb entering indoor coil air.

- High Temperature Heating Ratings - 47°F db/43°F wb outdoor air temperature and 70°F db entering indoor coil air.

- Low Temperature Heating Ratings - 17°F db/15°F wb outdoor air temperature and 70°F db entering indoor coil air.

All ratings include the use of a blower time delay relay (TDR). All Lennox variable-speed Furnaces and Air Handlers have time delay capabilities. Other Furnaces and Air Handlers may require an optional time delay relay (**58M81**) for field installation. See furnace or air handler specifications to determine if relay is needed.

Also see TXV Substitution Table at the beginning of the Heat Pump AHRI System Matches section.

When used with gas furnaces, a dual-fuel control, a control system with dual-fuel capabilities (LZP-2 or LZP-4), or a thermostat with dual-fuel capabilities must be used (order separately).

To convert HSPF from Region IV to Region V - Divide by 1.15.

AHRI SYSTEM MATCHES - ALL REGIONS (LIMITED AVAILABILITY)

Model No.	Cooling Capacity	SEER	EER	Heat Capacity		Heat COP		HSPF (IV)	Coil or Air Handler	Furnace	AHRI Reference
				High	Low	High	Low				
13HPX-030-230	29,200	14.00	11.50	26,800	17,100	3.58	2.44	8.20	CH33-42	EL296UH070XE36B	7043540
13HPX-030-230	29,000	14.00	11.50	26,400	16,900	3.54	3.54	8.20	CH33-42	EL296UH070XV36B	7043562
13HPX-030-230	29,200	14.00	12.00	26,400	16,800	3.60	2.48	8.50	CH33-42	SL280UH090V36B	7043553
13HPX-030-230	29,200	14.00	11.50	26,400	16,900	3.58	2.46	8.50	CH33-42	SL280UH090V48B	7043583
13HPX-030-230	29,000	14.00	11.50	26,400	16,900	3.54	2.44	8.20	CH33-42	SLP98UH070XV36B	7043558
13HPX-030-230	28,400	13.00	10.80	27,000	17,500	3.34	2.32	8.00	CH33-42		7043502
13HPX-030-230	29,200	14.00	11.50	26,800	17,100	3.64	2.48	8.50	CR33-30/36	EL180DF045E36A	7043512
13HPX-030-230	29,400	14.50	12.00	26,600	16,900	3.70	2.52	8.70	CR33-30/36	EL180DF070E36B	7043524
13HPX-030-230	29,400	14.00	11.50	26,600	16,900	3.70	2.52	8.70	CR33-30/36	EL180DF090E48B	7043528
13HPX-030-230	29,200	14.00	11.50	26,800	17,100	3.62	2.48	8.50	CR33-30/36	EL195DF045XE36B	7043573
13HPX-030-230	29,400	14.50	11.50	26,800	17,100	3.70	2.52	8.70	CR33-30/36	EL195DF070XE48B	7043574
13HPX-030-230	29,200	14.00	11.50	26,600	16,900	3.68	2.5	8.70	CR33-30/36	EL195DF090XE48C	7043575
13HPX-030-230	29,200	14.00	11.50	26,800	17,100	3.62	2.48	8.50	CR33-30/36	EL296DF045XE36B	7043538
13HPX-030-230	29,200	14.50	12.00	26,600	16,900	3.68	2.52	8.70	CR33-30/36	EL296DF045XV36B	7505750
13HPX-030-230	29,400	14.50	11.50	26,800	17,100	3.70	2.52	8.70	CR33-30/36	EL296DF070XE48B	7043536
13HPX-030-230	29,200	14.50	11.70	26,600	17,000	3.64	2.5	8.50	CR33-30/36	EL296DF070XV48B	7487534
13HPX-030-230	29,200	14.00	11.50	26,600	16,900	3.68	2.5	8.70	CR33-30/36	EL296DF090XE48C	7043544
13HPX-030-230	29,200	14.00	11.50	26,800	17,100	3.66	2.5	8.50	CR33-30/36	SL280DF070V36A	7043580
13HPX-030-230	29,200	14.00	11.50	26,600	16,900	3.66	2.5	8.70	CR33-30/36	SL280DF090V48B	7043552
13HPX-030-230	29,200	14.00	11.50	26,600	17,000	3.62	2.5	8.50	CR33-30/36	SLP98DF070XV36B	7043556
13HPX-030-230	29,200	14.00	11.50	26,600	16,900	3.68	2.52	8.70	CR33-30/36	SLP98DF090XV36C	7043557
13HPX-030-230	28,600	13.00	10.85	27,200	17,600	3.44	2.38	8.20	CR33-30/36		7043501
13HPX-030-230	30,600	14.00	11.50	26,800	17,100	3.52	2.42	8.20	CX34-31	EL180UH045E36A	7043523
13HPX-030-230	30,600	14.00	11.50	26,800	17,100	3.52	2.42	8.20	CX34-31	EL180UH045XE36A	7043513
13HPX-030-230	30,400	14.00	11.50	26,600	16,900	3.54	2.44	8.20	CX34-31	EL180UH070E36B	7043517
13HPX-030-230	30,400	14.00	11.50	26,600	16,900	3.54	2.44	8.20	CX34-31	EL180UH070XE36B	7043522
13HPX-030-230	30,600	14.00	11.50	26,800	17,000	3.58	2.46	8.50	CX34-31	EL180UH090E48B	7043514
13HPX-030-230	30,600	14.00	11.50	26,800	17,000	3.58	2.46	8.50	CX34-31	EL180UH090XE48B	7043532
13HPX-030-230	30,400	14.00	11.50	26,800	17,200	3.50	2.42	8.20	CX34-31	EL195UH045XE36B	7043567
13HPX-030-230	30,400	14.00	11.50	26,800	17,100	3.54	2.42	8.20	CX34-31	EL195UH070XE36B	7043571
13HPX-030-230	30,400	14.00	11.50	26,800	17,200	3.50	2.42	8.20	CX34-31	EL296UH045XE36B	7043545
13HPX-030-230	30,400	14.00	11.50	26,800	17,100	3.54	2.42	8.20	CX34-31	EL296UH070XE36B	7043543
13HPX-030-230	30,400	14.00	11.50	26,800	17,100	3.54	2.44	8.20	CX34-31	EL296UH070XV36B	7043560
13HPX-030-230	30,600	14.00	11.50	26,800	17,000	3.56	2.44	8.20	CX34-31	SL280UH070V36A	7043550
13HPX-030-230	30,600	14.00	11.50	26,600	17,000	3.58	2.46	8.50	CX34-31	SL280UH090V36B	7043549
13HPX-030-230	30,600	14.00	11.50	26,800	17,100	3.58	2.46	8.50	CX34-31	SL280UH090V48B	7043579
13HPX-030-230	30,400	14.00	11.50	26,800	17,100	3.54	2.44	8.20	CX34-31	SLP98UH070XV36B	7043554
13HPX-030-230	30,000	13.00	10.85	27,400	17,700	3.34	2.32	8.00	CX34-31		7043499
13HPX-036-230	36,800	13.50	11.50	32,800	21,000	3.50	2.4	8.20	C33-38	EL180UH045E36A	7043607
13HPX-036-230	36,800	13.50	11.50	32,800	21,000	3.50	2.4	8.20	C33-38	EL180UH045XE36A	7043605
13HPX-036-230	36,800	14.00	11.50	32,200	20,600	3.52	2.44	8.50	C33-38	EL180UH070E36B	7043600
13HPX-036-230	36,800	14.00	11.50	32,200	20,600	3.52	2.44	8.50	C33-38	EL180UH070XE36B	7043620
13HPX-036-230	37,000	14.00	11.50	32,400	20,800	3.56	2.46	8.50	C33-38	EL180UH090E48B	7043608
13HPX-036-230	37,000	14.00	11.50	32,400	20,800	3.56	2.46	8.50	C33-38	EL180UH090XE48B	7043631
13HPX-036-230	36,600	13.00	11.00	33,000	21,200	3.42	2.36	8.00	C33-38	EL195UH045XE36B	7043727
13HPX-036-230	36,600	13.50	11.50	32,400	20,800	3.46	2.4	8.20	C33-38	EL195UH070XE36B	7043714
13HPX-036-230	36,600	13.00	11.00	33,000	21,200	3.42	2.36	8.00	C33-38	EL296UH045XE36B	7043643

NOTES:

Ratings are AHRI certified to AHRI Standard 210/240 (with 25 ft. of connecting refrigerant lines);

- Cooling Ratings - 95°F outdoor air temperature and 80°F db/67°F wb entering indoor coil air.
- High Temperature Heating Ratings - 47°F db/43°F wb outdoor air temperature and 70°F db entering indoor coil air.
- Low Temperature Heating Ratings - 17°F db/15°F wb outdoor air temperature and 70°F db entering indoor coil air.

All ratings include the use of a blower time delay relay (TDR). All Lennox variable-speed Furnaces and Air Handlers have time delay capabilities. Other Furnaces and Air Handlers may require an optional time delay relay (**58M81**) for field installation. See furnace or air handler specifications to determine if relay is needed.

Also see TXV Substitution Table at the beginning of the Heat Pump AHRI System Matches section.

When used with gas furnaces, a dual-fuel control, a control system with dual-fuel capabilities (LZP-2 or LZP-4), or a thermostat with dual-fuel capabilities must be used (order separately).

To convert HSPF from Region IV to Region V - Divide by 1.15.

AHRI SYSTEM MATCHES - ALL REGIONS (LIMITED AVAILABILITY)

Model No.	Cooling Capacity	SEER	EER	Heat Capacity		Heat COP		HSPF (IV)	Coil or Air Handler	Furnace	AHRI Reference
				High	Low	High	Low				
13HPX-036-230	36,600	13.50	11.50	32,400	20,800	3.46	2.4	8.20	C33-38	EL296UH070XE36B	7043656
13HPX-036-230	36,800	13.50	11.50	32,600	21,000	3.46	3.46	8.20	C33-38	EL296UH070XV36B	7043694
13HPX-036-230	36,800	13.50	11.50	32,600	21,000	3.46	2.4	8.20	C33-38	SL280UH070V36A	7043661
13HPX-036-230	36,800	14.00	11.50	32,400	20,600	3.54	2.4	8.50	C33-38	SL280UH090V36B	7043651
13HPX-036-230	36,800	14.00	11.50	32,400	20,800	3.54	2.46	8.50	C33-38	SL280UH090V48B	7043732
13HPX-036-230	36,800	13.50	11.50	32,600	21,000	3.46	2.4	8.20	C33-38	SLP98UH070XV36B	7043674
13HPX-036-230	36,400	13.00	11.00	33,000	21,400	3.34	2.32	8.00	C33-38		7043588
13HPX-036-230	36,600	14.00	11.50	32,200	20,600	3.40	2.38	8.20	C33-48	EL180UH070E36B	7043616
13HPX-036-230	36,600	14.00	11.50	32,200	20,600	3.40	2.38	8.20	C33-48	EL180UH070XE36B	7043611
13HPX-036-230	36,800	14.00	11.50	32,400	20,600	3.44	2.38	8.20	C33-48	EL180UH090E48B	7043597
13HPX-036-230	36,800	14.00	11.50	32,400	20,600	3.46	2.38	8.20	C33-48	EL180UH090E60C	7043619
13HPX-036-230	36,800	14.00	11.50	32,400	20,600	3.44	2.38	8.20	C33-48	EL180UH090XE48B	7043624
13HPX-036-230	36,600	14.00	11.50	32,200	20,600	3.42	2.38	8.20	C33-48	EL180UH110E60C	7043625
13HPX-036-230	36,600	14.00	11.50	32,200	20,600	3.42	2.38	8.20	C33-48	EL180UH110XE60C	7043621
13HPX-036-230	36,400	13.00	11.00	32,800	21,200	3.28	2.3	7.70	C33-48	EL195UH045XE36B	7043728
13HPX-036-230	36,400	13.50	11.00	32,400	20,800	3.34	2.34	8.00	C33-48	EL195UH070XE36B	7043715
13HPX-036-230	36,600	14.00	11.50	32,400	20,600	3.42	2.36	8.20	C33-48	EL195UH090XE48C	7043708
13HPX-036-230	37,000	14.00	11.50	32,400	20,800	3.44	2.4	8.20	C33-48	EL195UH110XE60C	7043721
13HPX-036-230	36,400	13.00	11.00	32,800	21,200	3.28	2.3	7.70	C33-48	EL296UH045XE36B	7043653
13HPX-036-230	36,400	13.50	11.00	32,400	20,800	3.34	2.34	8.00	C33-48	EL296UH070XE36B	7043646
13HPX-036-230	36,600	13.50	11.00	32,600	21,000	3.36	3.36	8.00	C33-48	EL296UH070XV36B	7043709
13HPX-036-230	36,600	14.00	11.50	32,400	20,600	3.42	2.36	8.20	C33-48	EL296UH090XE48C	7043642
13HPX-036-230	36,800	14.00	11.50	32,400	20,600	3.42	3.42	8.20	C33-48	EL296UH090XV36C	7043699
13HPX-036-230	36,800	14.00	11.50	32,600	20,800	3.44	3.44	8.20	C33-48	EL296UH090XV48C	7043696
13HPX-036-230	37,200	14.00	11.50	32,600	21,000	3.44	3.44	8.20	C33-48	EL296UH090XV60C	7043689
13HPX-036-230	37,000	14.00	11.50	32,400	20,800	3.44	2.4	8.20	C33-48	EL296UH110XE60C	7043645
13HPX-036-230	36,800	14.20	11.70	32,200	20,600	3.42	2.38	8.20	C33-48	EL296UH110XV48C	7043627
13HPX-036-230	37,000	14.00	11.50	32,400	20,800	3.46	3.46	8.20	C33-48	EL296UH110XV60C	7043690
13HPX-036-230	36,800	14.00	11.50	32,200	20,600	3.42	2.38	8.20	C33-48	SL280UH090V36B	7043660
13HPX-036-230	36,800	14.00	11.50	32,200	20,600	3.40	2.36	8.20	C33-48	SL280UH090V48B	7043733
13HPX-036-230	37,200	13.00	11.00	32,600	20,800	3.48	2.4	8.00	C33-48	SL280UH090V60C	7043734
13HPX-036-230	37,000	14.00	11.00	32,600	20,800	3.44	2.38	8.00	C33-48	SL280UH110V60C	7043723
13HPX-036-230	36,600	13.50	11.00	32,600	21,000	3.36	2.34	8.00	C33-48	SLP98UH070XV36B	7043663
13HPX-036-230	36,800	14.00	11.50	32,400	20,600	3.42	2.36	8.20	C33-48	SLP98UH090XV36C	7043664
13HPX-036-230	36,800	14.00	11.50	32,600	20,800	3.44	2.38	8.20	C33-48	SLP98UH090XV48C	7043665
13HPX-036-230	37,200	14.00	11.50	32,600	21,000	3.44	2.4	8.20	C33-48	SLP98UH090XV60C	7043666
13HPX-036-230	37,000	14.00	11.50	32,400	20,800	3.46	2.4	8.20	C33-48	SLP98UH110XV60C	7043667
13HPX-036-230	36,000	13.00	10.80	33,000	21,400	3.24	2.26	7.70	C33-48		7043589
13HPX-036-230	34,400	13.00	11.00	33,400	21,400	3.50	2.42	8.20	CBX25UH-036		7043629
13HPX-036-230	34,800	13.50	11.50	33,200	21,200	3.62	2.48	8.20	CBX25UHV-036		7043596
13HPX-036-230	35,600	13.50	11.50	33,200	21,000	3.72	2.54	8.70	CBX27UH-036		7043594
13HPX-036-230	35,000	13.00	11.00	33,600	21,400	3.60	2.48	8.50	CBX32M-036		7043591
13HPX-036-230	35,400	14.00	11.50	33,000	21,000	3.66	2.54	8.70	CBX32MV-036		7043590
13HPX-036-230	35,600	13.50	11.50	33,200	21,000	3.70	2.54	8.50	CBX40UHV-030		7043592
13HPX-036-230	35,800	13.50	11.50	33,200	21,000	3.72	2.54	8.50	CBX40UHV-036		7043593
13HPX-036-230	34,800	14.00	11.50	32,400	20,600	3.50	2.42	8.20	CH33-31B	EL180UH070E36B	7043602
13HPX-036-230	34,800	14.00	11.50	32,400	20,600	3.50	2.42	8.20	CH33-31B	EL180UH070XE36B	7043612

NOTES:

Ratings are AHRI certified to AHRI Standard 210/240 (with 25 ft. of connecting refrigerant lines);

- Cooling Ratings - 95°F outdoor air temperature and 80°F db/67°F wb entering indoor coil air.

- High Temperature Heating Ratings - 47°F db/43°F wb outdoor air temperature and 70°F db entering indoor coil air.

- Low Temperature Heating Ratings - 17°F db/15°F wb outdoor air temperature and 70°F db entering indoor coil air.

All ratings include the use of a blower time delay relay (TDR). All Lennox variable-speed Furnaces and Air Handlers have time delay capabilities. Other Furnaces and Air Handlers may require an optional time delay relay (**58M81**) for field installation. See furnace or air handler specifications to determine if relay is needed.

Also see TXV Substitution Table at the beginning of the Heat Pump AHRI System Matches section.

When used with gas furnaces, a dual-fuel control, a control system with dual-fuel capabilities (LZP-2 or LZP-4), or a thermostat with dual-fuel capabilities must be used (order separately).

To convert HSPF from Region IV to Region V - Divide by 1.15.

AHRI SYSTEM MATCHES - ALL REGIONS (LIMITED AVAILABILITY)

Model No.	Cooling Capacity	SEER	EER	Heat Capacity		Heat COP		HSPF (IV)	Coil or Air Handler	Furnace	AHRI Reference
				High	Low	High	Low				
13HPX-036-230	34,800	13.00	11.00	33,200	21,400	3.42	2.36	8.00	CH33-31B	EL195UH045XE36B	7043717
13HPX-036-230	34,600	13.50	11.50	32,600	21,000	3.44	2.4	8.20	CH33-31B	EL195UH070XE36B	7043716
13HPX-036-230	34,800	13.00	11.00	33,200	21,400	3.42	2.36	8.00	CH33-31B	EL296UH045XE36B	7043650
13HPX-036-230	34,600	13.50	11.50	32,600	21,000	3.44	2.4	8.20	CH33-31B	EL296UH070XE36B	7043635
13HPX-036-230	35,000	13.50	11.50	33,000	21,200	3.48	3.48	8.20	CH33-31B	EL296UH070XV36B	7043698
13HPX-036-230	35,000	14.00	11.50	32,600	20,800	3.54	2.44	8.20	CH33-31B	SL280UH090V36B	7043662
13HPX-036-230	35,000	14.00	11.50	32,800	21,000	3.52	2.44	8.20	CH33-31B	SL280UH090V48B	7043738
13HPX-036-230	35,000	13.50	11.50	33,000	21,200	3.48	2.4	8.20	CH33-31B	SLP98UH070XV36B	7043676
13HPX-036-230	34,600	13.00	11.00	33,200	21,400	3.34	2.32	8.00	CH33-31B		7043586
13HPX-036-230	35,200	14.00	11.50	32,400	20,800	3.56	2.5	8.50	CH33-36C	EL180UH090E60C	7043618
13HPX-036-230	35,600	14.00	11.50	32,800	20,800	3.62	2.48	8.50	CH33-36C	EL180UH110E60C	7043626
13HPX-036-230	35,600	14.00	11.50	32,800	20,800	3.62	2.48	8.50	CH33-36C	EL180UH110XE60C	7043622
13HPX-036-230	35,200	14.00	11.50	32,600	20,800	3.56	2.46	8.50	CH33-36C	EL195UH090XE48C	7043719
13HPX-036-230	35,600	14.00	11.50	32,800	21,000	3.62	2.5	8.50	CH33-36C	EL195UH110XE60C	7043722
13HPX-036-230	35,200	14.00	11.50	32,600	20,800	3.56	2.46	8.50	CH33-36C	EL296UH090XE48C	7043648
13HPX-036-230	35,400	14.00	11.50	32,800	20,800	3.60	3.6	8.50	CH33-36C	EL296UH090XV36C	7043697
13HPX-036-230	35,600	14.00	11.50	32,800	21,000	3.60	3.6	8.50	CH33-36C	EL296UH090XV48C	7043693
13HPX-036-230	35,800	14.00	11.50	33,000	21,000	3.64	3.64	8.50	CH33-36C	EL296UH090XV60C	7043688
13HPX-036-230	35,600	14.00	11.50	32,800	21,000	3.62	2.5	8.50	CH33-36C	EL296UH110XE60C	7043634
13HPX-036-230	35,400	14.00	11.70	32,600	20,800	3.60	2.48	8.50	CH33-36C	EL296UH110XV48C	7043638
13HPX-036-230	35,600	14.00	11.50	32,800	21,000	3.64	3.64	8.50	CH33-36C	EL296UH110XV60C	7043687
13HPX-036-230	35,800	14.00	11.00	32,800	21,000	3.64	2.52	8.50	CH33-36C	SL280UH090V60C	7043739
13HPX-036-230	35,600	14.00	11.00	32,800	21,000	3.60	2.48	8.20	CH33-36C	SL280UH110V60C	7043740
13HPX-036-230	35,400	14.00	11.50	32,800	20,800	3.60	2.46	8.50	CH33-36C	SLP98UH090XV36C	7043677
13HPX-036-230	35,600	14.00	11.50	32,800	21,000	3.60	2.48	8.50	CH33-36C	SLP98UH090XV48C	7043678
13HPX-036-230	35,800	14.00	11.50	33,000	21,000	3.64	2.48	8.50	CH33-36C	SLP98UH090XV60C	7043679
13HPX-036-230	35,600	14.00	11.50	32,800	21,000	3.64	2.5	8.50	CH33-36C	SLP98UH110XV60C	7043680
13HPX-036-230	34,400	13.00	11.00	33,000	21,200	3.36	2.34	8.00	CH33-42	EL195UH045XE36B	7043718
13HPX-036-230	34,400	13.50	11.00	32,600	20,800	3.38	2.36	8.00	CH33-42	EL195UH070XE36B	7043705
13HPX-036-230	34,400	13.00	11.00	33,000	21,200	3.36	2.34	8.00	CH33-42	EL296UH045XE36B	7043640
13HPX-036-230	34,400	13.50	11.00	32,600	20,800	3.38	2.36	8.00	CH33-42	EL296UH070XE36B	7043633
13HPX-036-230	34,600	13.50	11.00	32,800	21,000	3.40	3.4	8.00	CH33-42	EL296UH070XV36B	7043703
13HPX-036-230	34,800	14.00	11.50	32,400	20,800	3.46	2.42	8.20	CH33-42	SL280UH090V36B	7043652
13HPX-036-230	34,800	14.00	11.50	32,600	20,800	3.46	2.4	8.20	CH33-42	SL280UH090V48B	7043731
13HPX-036-230	34,600	13.50	11.00	32,800	21,000	3.40	2.36	8.00	CH33-42	SLP98UH070XV36B	7043673
13HPX-036-230	34,200	13.00	10.85	33,200	21,400	3.30	2.3	7.70	CH33-42		7043587
13HPX-036-230	35,600	14.00	11.50	32,400	20,800	3.54	2.48	8.50	CR33-48	EL180DF070E36B	7043609
13HPX-036-230	35,600	14.00	11.50	32,600	20,800	3.56	2.46	8.20	CR33-48	EL180DF090E48B	7043604
13HPX-036-230	35,400	13.50	11.50	32,600	21,000	3.46	2.42	8.20	CR33-48	EL195DF045XE36B	7043724
13HPX-036-230	35,600	14.00	11.50	32,600	21,000	3.52	2.46	8.20	CR33-48	EL195DF070XE48B	7043725
13HPX-036-230	35,800	14.00	11.50	32,800	21,000	3.58	2.48	8.50	CR33-48	EL195DF090XE48C	7043726
13HPX-036-230	35,400	13.50	11.50	32,600	21,000	3.46	2.42	8.20	CR33-48	EL296DF045XE36B	7043649
13HPX-036-230	35,400	13.50	11.50	32,800	21,000	3.50	2.42	8.20	CR33-48	EL296DF045XV36B	7505741
13HPX-036-230	35,600	14.00	11.50	32,600	21,000	3.52	2.46	8.20	CR33-48	EL296DF070XE48B	7043639
13HPX-036-230	35,400	13.50	11.20	33,000	21,200	3.50	2.42	8.20	CR33-48	EL296DF070XV48B	7487535
13HPX-036-230	35,800	14.00	11.50	32,800	21,000	3.58	2.48	8.50	CR33-48	EL296DF090XE48C	7043647
13HPX-036-230	35,600	14.00	11.50	32,600	20,800	3.54	2.44	8.20	CR33-48	SL280DF090V48B	7043657

NOTES:

Ratings are AHRI certified to AHRI Standard 210/240 (with 25 ft. of connecting refrigerant lines);

- Cooling Ratings - 95°F outdoor air temperature and 80°F db/67°F wb entering indoor coil air.
- High Temperature Heating Ratings - 47°F db/43°F wb outdoor air temperature and 70°F db entering indoor coil air.
- Low Temperature Heating Ratings - 17°F db/15°F wb outdoor air temperature and 70°F db entering indoor coil air.

All ratings include the use of a blower time delay relay (TDR). All Lennox variable-speed Furnaces and Air Handlers have time delay capabilities. Other Furnaces and Air Handlers may require an optional time delay relay (**58M81**) for field installation. See furnace or air handler specifications to determine if relay is needed.

Also see TXV Substitution Table at the beginning of the Heat Pump AHRI System Matches section.

When used with gas furnaces, a dual-fuel control, a control system with dual-fuel capabilities (LZP-2 or LZP-4), or a thermostat with dual-fuel capabilities must be used (order separately).

To convert HSPF from Region IV to Region V - Divide by 1.15.

AHRI SYSTEM MATCHES - ALL REGIONS (LIMITED AVAILABILITY)

Model No.	Cooling Capacity	SEER	EER	Heat Capacity		Heat COP		HSPF (IV)	Coil or Air Handler	Furnace	AHRI Reference
				High	Low	High	Low				
13HPX-036-230	36,200	14.00	11.70	32,800	20,800	3.66	2.5	8.50	CR33-48	SL280DF090V60C	7043729
13HPX-036-230	35,800	14.00	11.70	32,600	20,800	3.62	2.5	8.50	CR33-48	SL280DF110V60C	7043730
13HPX-036-230	35,600	13.50	11.50	32,800	21,000	3.52	2.44	8.20	CR33-48	SLP98DF070XV36B	7043669
13HPX-036-230	35,600	14.00	11.50	32,800	21,000	3.56	2.46	8.20	CR33-48	SLP98DF090XV36C	7043670
13HPX-036-230	35,800	14.00	11.50	32,600	20,800	3.56	2.46	8.50	CR33-48	SLP98DF090XV48C	7043671
13HPX-036-230	35,800	14.00	11.50	32,800	21,000	3.60	2.48	8.50	CR33-48	SLP98DF090XV60C	7043672
13HPX-036-230	36,000	14.00	11.50	32,800	21,000	3.60	2.5	8.50	CR33-48	SLP98DF110XV60C	7043681
13HPX-036-230	36,800	13.50	11.50	32,800	21,000	3.50	2.4	8.20	CX34-38	EL180UH045E36A	7043613
13HPX-036-230	36,800	13.50	11.50	32,800	21,000	3.50	2.4	8.20	CX34-38	EL180UH045XE36A	7043598
13HPX-036-230	36,800	14.00	11.50	32,200	20,600	3.52	2.44	8.50	CX34-38	EL180UH070E36B	7043601
13HPX-036-230	36,800	14.00	11.50	32,200	20,600	3.52	2.44	8.50	CX34-38	EL180UH070XE36B	7043610
13HPX-036-230	37,000	14.00	11.50	32,400	20,800	3.56	2.46	8.50	CX34-38	EL180UH090E48B	7043614
13HPX-036-230	37,000	14.00	11.50	32,400	20,800	3.56	2.46	8.50	CX34-38	EL180UH090XE48B	7043632
13HPX-036-230	36,600	13.00	11.00	33,000	21,200	3.42	2.36	8.00	CX34-38	EL195UH045XE36B	7043712
13HPX-036-230	36,600	13.50	11.50	32,400	20,800	3.46	2.4	8.20	CX34-38	EL195UH070XE36B	7043706
13HPX-036-230	36,600	13.00	11.00	33,000	21,200	3.42	2.36	8.00	CX34-38	EL296UH045XE36B	7043641
13HPX-036-230	36,600	13.50	11.50	32,400	20,800	3.46	2.4	8.20	CX34-38	EL296UH070XE36B	7043654
13HPX-036-230	36,800	13.50	11.50	32,600	21,000	3.46	3.46	8.20	CX34-38	EL296UH070XV36B	7043704
13HPX-036-230	36,800	13.50	11.50	32,600	21,000	3.46	2.4	8.20	CX34-38	SL280UH070V36A	7043658
13HPX-036-230	36,800	14.00	11.50	32,400	20,600	3.54	2.44	8.50	CX34-38	SL280UH090V36B	7043668
13HPX-036-230	36,800	14.00	11.50	32,400	20,800	3.54	2.46	8.50	CX34-38	SL280UH090V48B	7043595
13HPX-036-230	36,800	13.50	11.50	32,600	21,000	3.46	2.4	8.20	CX34-38	SLP98UH070XV36B	7043682
13HPX-036-230	36,400	13.00	11.00	33,000	21,400	3.34	2.32	8.00	CX34-38		7043584
13HPX-036-230	36,600	14.00	11.50	32,200	20,600	3.40	2.38	8.20	CX34-44/48	EL180UH070E36B	7043599
13HPX-036-230	36,600	14.00	11.50	32,200	20,600	3.40	2.38	8.20	CX34-44/48	EL180UH070XE36B	7043606
13HPX-036-230	36,800	14.00	11.50	32,400	20,600	3.44	2.38	8.20	CX34-44/48	EL180UH090E48B	7043603
13HPX-036-230	36,800	14.00	11.50	32,400	20,600	3.46	2.38	8.20	CX34-44/48	EL180UH090E60C	7043617
13HPX-036-230	36,800	14.00	11.50	32,400	20,600	3.44	2.38	8.20	CX34-44/48	EL180UH090XE48B	7043630
13HPX-036-230	36,600	14.00	11.50	32,200	20,600	3.42	2.38	8.20	CX34-44/48	EL180UH110E60C	7043615
13HPX-036-230	36,600	14.00	11.50	32,200	20,600	3.42	2.38	8.20	CX34-44/48	EL180UH110XE60C	7043623
13HPX-036-230	36,400	13.00	11.00	32,800	21,200	3.28	2.3	7.70	CX34-44/48	EL195UH045XE36B	7043713
13HPX-036-230	36,400	13.50	11.00	32,400	20,800	3.34	2.34	8.00	CX34-44/48	EL195UH070XE36B	7043707
13HPX-036-230	36,600	14.00	11.50	32,400	20,600	3.42	2.36	8.20	CX34-44/48	EL195UH090XE48C	7043720
13HPX-036-230	37,000	14.00	11.50	32,400	20,800	3.44	2.4	8.20	CX34-44/48	EL195UH110XE60C	7043711
13HPX-036-230	36,400	13.00	11.00	32,800	21,200	3.28	2.3	7.70	CX34-44/48	EL296UH045XE36B	7043636
13HPX-036-230	36,400	13.50	11.00	32,400	20,800	3.34	2.34	8.00	CX34-44/48	EL296UH070XE36B	7043637
13HPX-036-230	36,600	13.50	11.00	32,600	21,000	3.36	3.36	8.00	CX34-44/48	EL296UH070XV36B	7043710
13HPX-036-230	36,600	14.00	11.50	32,400	20,600	3.42	2.36	8.20	CX34-44/48	EL296UH090XE48C	7043655
13HPX-036-230	36,800	14.00	11.50	32,400	20,600	3.42	3.42	8.20	CX34-44/48	EL296UH090XV36C	7043695
13HPX-036-230	36,800	14.00	11.50	32,600	20,800	3.44	3.44	8.20	CX34-44/48	EL296UH090XV48C	7043702
13HPX-036-230	37,200	14.00	11.50	32,600	21,000	3.44	3.44	8.20	CX34-44/48	EL296UH090XV60C	7043701
13HPX-036-230	37,000	14.00	11.50	32,400	20,800	3.44	2.4	8.20	CX34-44/48	EL296UH110XE60C	7043644
13HPX-036-230	36,800	14.20	11.70	32,200	20,600	3.42	2.38	8.20	CX34-44/48	EL296UH110XV48C	7043628
13HPX-036-230	37,000	14.00	11.50	32,400	20,800	3.46	3.46	8.20	CX34-44/48	EL296UH110XV60C	7043700
13HPX-036-230	36,800	14.00	11.50	32,200	20,600	3.42	2.38	8.20	CX34-44/48	SL280UH090V36B	7043659
13HPX-036-230	36,800	14.00	11.50	32,200	20,600	3.40	2.36	8.20	CX34-44/48	SL280UH090V48B	7043735
13HPX-036-230	37,200	14.00	11.00	32,600	20,800	3.48	2.4	8.00	CX34-44/48	SL280UH090V60C	7043736

NOTES:

Ratings are AHRI certified to AHRI Standard 210/240 (with 25 ft. of connecting refrigerant lines);

- Cooling Ratings - 95°F outdoor air temperature and 80°F db/67°F wb entering indoor coil air.

- High Temperature Heating Ratings - 47°F db/43°F wb outdoor air temperature and 70°F db entering indoor coil air.

- Low Temperature Heating Ratings - 17°F db/15°F wb outdoor air temperature and 70°F db entering indoor coil air.

All ratings include the use of a blower time delay relay (TDR). All Lennox variable-speed Furnaces and Air Handlers have time delay capabilities. Other Furnaces and Air Handlers may require an optional time delay relay (**58M81**) for field installation. See furnace or air handler specifications to determine if relay is needed.

Also see TXV Substitution Table at the beginning of the Heat Pump AHRI System Matches section.

When used with gas furnaces, a dual-fuel control, a control system with dual-fuel capabilities (LZP-2 or LZP-4), or a thermostat with dual-fuel capabilities must be used (order separately).

To convert HSPF from Region IV to Region V - Divide by 1.15.

AHRI SYSTEM MATCHES - ALL REGIONS (LIMITED AVAILABILITY)

Model No.	Cooling Capacity	SEER	EER	Heat Capacity		Heat COP		HSPF (IV)	Coil or Air Handler	Furnace	AHRI Reference
				High	Low	High	Low				
13HPX-036-230	37,000	14.00	11.00	32,600	20,800	3.44	2.38	8.00	CX34-44/48	SL280UH110V60C	7043737
13HPX-036-230	36,600	13.50	11.00	32,600	21,000	3.36	2.34	8.00	CX34-44/48	SLP98UH070XV36B	7043683
13HPX-036-230	36,800	14.00	11.50	32,400	20,600	3.42	2.36	8.20	CX34-44/48	SLP98UH090XV36C	7043684
13HPX-036-230	36,800	14.00	11.50	32,600	20,800	3.44	2.38	8.20	CX34-44/48	SLP98UH090XV48C	7043685
13HPX-036-230	37,200	14.00	11.50	32,600	21,000	3.44	2.4	8.20	CX34-44/48	SLP98UH090XV60C	7043686
13HPX-036-230	37,000	14.00	11.50	32,400	20,800	3.46	2.4	8.20	CX34-44/48	SLP98UH110XV60C	7043675
13HPX-036-230	36,000	13.00	10.80	33,000	21,400	3.24	2.26	7.70	CX34-44/48		7043585
13HPX-042-230	43,500	14.00	11.50	40,000	26,000	3.46	2.42	8.20	C33-43	EL180UH090E48B	7043755
13HPX-042-230	44,000	14.00	12.00	39,500	26,000	3.48	2.48	8.20	C33-43	EL180UH090E60C	7043760
13HPX-042-230	43,500	14.00	11.50	40,000	26,000	3.46	2.42	8.20	C33-43	EL180UH090XE48B	7043770
13HPX-042-230	44,000	14.00	12.00	39,500	26,000	3.46	2.46	8.20	C33-43	EL180UH110E60C	7043773
13HPX-042-230	44,000	14.00	12.00	39,500	26,000	3.46	2.46	8.20	C33-43	EL180UH110XE60C	7043768
13HPX-042-230	43,500	14.00	12.00	39,500	26,000	3.42	2.44	8.20	C33-43	EL195UH090XE48C	7043862
13HPX-042-230	44,000	14.00	12.00	40,000	26,200	3.50	2.46	8.20	C33-43	EL195UH110XE60C	7043856
13HPX-042-230	43,500	14.00	12.00	39,500	26,000	3.42	2.44	8.20	C33-43	EL296UH090XE48C	7043798
13HPX-042-230	43,500	14.00	11.50	39,500	26,000	3.40	3.4	8.20	C33-43	EL296UH090XV36C	7043852
13HPX-042-230	43,500	14.00	12.00	39,500	26,000	3.42	3.42	8.20	C33-43	EL296UH090XV48C	7043839
13HPX-042-230	44,000	14.00	12.00	40,000	26,200	3.48	3.48	8.20	C33-43	EL296UH090XV60C	7043835
13HPX-042-230	44,000	14.00	12.00	40,000	26,200	3.50	2.46	8.20	C33-43	EL296UH110XE60C	7043791
13HPX-042-230	44,000	14.20	12.00	40,000	20,600	3.48	2.44	8.20	C33-43	EL296UH110XV48C	7043777
13HPX-042-230	44,000	14.00	12.00	40,000	26,000	3.50	3.5	8.20	C33-43	EL296UH110XV60C	7043834
13HPX-042-230	43,500	14.00	11.50	40,000	26,200	3.44	2.44	8.20	C33-43	SL280UH090V36B	7043795
13HPX-042-230	43,500	14.00	11.50	40,000	26,200	3.44	2.42	8.20	C33-43	SL280UH090V48B	7043867
13HPX-042-230	44,000	14.00	12.00	40,000	26,000	3.54	2.48	8.20	C33-43	SL280UH090V60C	7043868
13HPX-042-230	44,000	14.00	12.00	39,500	26,000	3.46	2.46	8.20	C33-43	SL280UH110V60C	7043869
13HPX-042-230	43,500	14.00	11.50	39,500	26,000	3.40	2.42	8.20	C33-43	SLP98UH090XV36C	7043810
13HPX-042-230	43,500	14.00	12.00	39,500	26,000	3.42	2.44	8.20	C33-43	SLP98UH090XV48C	7043811
13HPX-042-230	44,000	14.00	12.00	40,000	26,200	3.48	2.44	8.20	C33-43	SLP98UH090XV60C	7043800
13HPX-042-230	44,000	14.00	12.00	40,000	26,000	3.50	2.46	8.20	C33-43	SLP98UH110XV60C	7043801
13HPX-042-230	43,000	13.00	11.00	40,500	26,800	3.32	2.36	8.00	C33-43		7043746
13HPX-042-230	43,500	14.00	12.00	39,500	26,000	3.42	2.44	8.20	C33-50/60C	EL180UH090E60C	7043753
13HPX-042-230	43,000	14.00	11.50	39,500	26,000	3.40	2.44	8.20	C33-50/60C	EL180UH110E60C	7043758
13HPX-042-230	43,000	14.00	11.50	39,500	26,000	3.40	2.44	8.20	C33-50/60C	EL180UH110XE60C	7043764
13HPX-042-230	43,000	14.00	11.50	39,500	26,000	3.36	2.42	8.20	C33-50/60C	EL195UH090XE48C	7043863
13HPX-042-230	43,500	14.00	11.50	40,000	26,200	3.44	2.44	8.20	C33-50/60C	EL195UH110XE60C	7043857
13HPX-042-230	43,000	14.00	11.50	39,500	26,000	3.36	2.42	8.20	C33-50/60C	EL296UH090XE48C	7043789
13HPX-042-230	43,000	13.50	11.50	40,000	26,200	3.38	3.38	8.20	C33-50/60C	EL296UH090XV36C	7043825
13HPX-042-230	43,500	14.00	11.50	39,500	26,000	3.38	3.38	8.20	C33-50/60C	EL296UH090XV48C	7043824
13HPX-042-230	43,500	13.50	11.50	40,000	26,400	3.42	3.42	8.20	C33-50/60C	EL296UH090XV60C	7043832
13HPX-042-230	43,500	14.00	11.50	40,000	26,200	3.44	2.44	8.20	C33-50/60C	EL296UH110XE60C	7043799
13HPX-042-230	43,500	14.00	11.70	40,000	26,200	3.44	2.44	8.20	C33-50/60C	EL296UH110XV48C	7043779
13HPX-042-230	43,500	14.00	11.50	40,000	26,000	3.44	3.44	8.20	C33-50/60C	EL296UH110XV60C	7043833
13HPX-042-230	43,500	14.00	11.50	40,000	26,200	3.46	2.46	8.20	C33-50/60C	SL280UH090V60C	7043870
13HPX-042-230	43,500	14.00	11.50	39,500	26,000	3.40	2.42	8.20	C33-50/60C	SL280UH110V60C	7043871
13HPX-042-230	43,000	13.50	11.50	40,000	26,200	3.38	2.42	8.20	C33-50/60C	SLP98UH090XV36C	7043802
13HPX-042-230	43,500	14.00	11.50	39,500	26,000	3.38	2.42	8.20	C33-50/60C	SLP98UH090XV48C	7043803
13HPX-042-230	43,500	13.50	11.50	40,000	26,400	3.42	2.44	8.20	C33-50/60C	SLP98UH090XV60C	7043804

NOTES:

Ratings are AHRI certified to AHRI Standard 210/240 (with 25 ft. of connecting refrigerant lines);

- Cooling Ratings - 95°F outdoor air temperature and 80°F db/67°F wb entering indoor coil air.
- High Temperature Heating Ratings - 47°F db/43°F wb outdoor air temperature and 70°F db entering indoor coil air.
- Low Temperature Heating Ratings - 17°F db/15°F wb outdoor air temperature and 70°F db entering indoor coil air.

All ratings include the use of a blower time delay relay (TDR). All Lennox variable-speed Furnaces and Air Handlers have time delay capabilities. Other Furnaces and Air Handlers may require an optional time delay relay (**58M81**) for field installation. See furnace or air handler specifications to determine if relay is needed.

Also see TXV Substitution Table at the beginning of the Heat Pump AHRI System Matches section.

When used with gas furnaces, a dual-fuel control, a control system with dual-fuel capabilities (LZP-2 or LZP-4), or a thermostat with dual-fuel capabilities must be used (order separately).

To convert HSPF from Region IV to Region V - Divide by 1.15.

AHRI SYSTEM MATCHES - ALL REGIONS (LIMITED AVAILABILITY)

Model No.	Cooling Capacity	SEER	EER	Heat Capacity		Heat COP		HSPF (IV)	Coil or Air Handler	Furnace	AHRI Reference
				High	Low	High	Low				
13HPX-042-230	43,500	14.00	11.50	40,000	26,000	3.44	2.42	8.20	C33-50/60C	SLP98UH110XV60C	7043805
13HPX-042-230	43,000	13.00	11.00	40,500	26,600	3.30	2.34	8.00	C33-50/60C		7043745
13HPX-042-230	41,000	13.00	11.00	41,000	26,200	3.56	2.5	8.00	CBX25UH-042		7043780
13HPX-042-230	42,000	14.50	12.20	40,500	25,600	3.78	2.64	8.50	CBX25UHV-042		7043757
13HPX-042-230	45,000	14.00	11.50	41,000	26,600	3.86	2.64	8.20	CBX27UH-042		7043879
13HPX-042-230	44,500	14.00	11.50	40,500	26,400	3.78	2.64	8.20	CBX27UH-048		7043880
13HPX-042-230	44,000	13.00	11.00	41,000	27,000	3.62	2.54	8.70	CBX32M-048		7043749
13HPX-042-230	41,000	13.00	11.00	41,000	26,600	3.60	2.52	8.50	CBX32MV-036		7043748
13HPX-042-230	44,500	14.00	11.50	40,500	26,600	3.72	2.62	8.50	CBX32MV-048		7043750
13HPX-042-230	41,500	13.50	11.50	40,500	26,600	3.60	2.56	8.20	CBX40UHV-036		7043747
13HPX-042-230	44,000	13.50	11.00	40,500	26,600	3.68	2.6	8.20	CBX40UHV-042		7043751
13HPX-042-230	44,500	13.50	11.50	40,500	26,600	3.74	2.62	8.20	CBX40UHV-048		7043752
13HPX-042-230	44,500	14.00	12.00	40,000	26,000	3.52	2.48	8.20	CH33-43	EL180UH090E60C	7043759
13HPX-042-230	44,000	14.00	12.00	40,000	26,000	3.52	2.46	8.20	CH33-43	EL180UH110E60C	7043774
13HPX-042-230	44,000	14.00	12.00	40,000	26,000	3.52	2.46	8.20	CH33-43	EL180UH110XE60C	7043769
13HPX-042-230	44,000	14.00	12.00	40,000	26,000	3.46	2.44	8.20	CH33-43C	EL195UH090XE48C	7043864
13HPX-042-230	44,500	14.00	12.00	40,000	26,200	3.50	2.46	8.20	CH33-43C	EL195UH110XE60C	7043858
13HPX-042-230	44,000	14.00	12.00	40,000	26,000	3.46	2.44	8.20	CH33-43C	EL296UH090XE48C	7043788
13HPX-042-230	44,000	14.00	12.00	40,000	26,000	3.44	3.44	8.20	CH33-43C	EL296UH090XV36C	7043853
13HPX-042-230	44,000	14.00	12.00	40,000	26,000	3.46	3.46	8.20	CH33-43C	EL296UH090XV48C	7043843
13HPX-042-230	44,500	14.00	12.00	40,000	26,200	3.48	3.48	8.20	CH33-43C	EL296UH090XV60C	7043851
13HPX-042-230	44,500	14.00	12.00	40,000	26,200	3.50	2.46	8.20	CH33-43C	EL296UH110XE60C	7043793
13HPX-042-230	44,000	14.20	12.00	40,000	26,000	3.48	2.44	8.20	CH33-43C	EL296UH110XV48C	7043787
13HPX-042-230	44,000	14.00	12.00	40,000	26,000	3.50	3.5	8.20	CH33-43C	EL296UH110XV60C	7043838
13HPX-042-230	44,000	14.00	12.00	39,500	25,800	3.46	2.46	8.20	CH33-43C	SL280UH090V60C	7043873
13HPX-042-230	44,000	14.00	12.00	40,000	26,000	3.50	2.46	8.20	CH33-43C	SL280UH110V60C	7043874
13HPX-042-230	44,000	14.00	12.00	40,000	26,000	3.44	2.42	8.20	CH33-43C	SLP98UH090XV36C	7043820
13HPX-042-230	44,000	14.00	12.00	40,000	26,000	3.46	2.44	8.20	CH33-43C	SLP98UH090XV48C	7043821
13HPX-042-230	44,500	14.00	12.00	40,000	26,200	3.48	2.46	8.20	CH33-43C	SLP98UH090XV60C	7043822
13HPX-042-230	44,000	14.00	12.00	40,000	26,000	3.50	2.46	8.20	CH33-43C	SLP98UH110XV60C	7043823
13HPX-042-230	43,500	13.00	11.00	40,500	26,800	3.32	2.36	8.00	CH33-43C		7043743
13HPX-042-230	44,000	14.00	12.00	39,500	26,000	3.42	2.44	8.20	CH33-48	EL180UH090E60C	7043761
13HPX-042-230	43,500	14.00	11.50	39,500	26,000	3.40	2.44	8.20	CH33-48	EL180UH110E60C	7043771
13HPX-042-230	43,500	14.00	11.50	39,500	26,000	3.40	2.44	8.20	CH33-48	EL180UH110XE60C	7043765
13HPX-042-230	43,500	14.00	11.50	39,500	26,000	3.36	2.4	8.20	CH33-48C	EL195UH090XE48C	7043865
13HPX-042-230	44,000	14.00	11.50	40,000	26,200	3.42	2.42	8.20	CH33-48C	EL195UH110XE60C	7043859
13HPX-042-230	43,500	14.00	11.50	39,500	26,000	3.36	2.4	8.20	CH33-48C	EL296UH090XE48C	7043785
13HPX-042-230	43,500	13.50	11.50	40,000	26,200	3.38	3.38	8.20	CH33-48C	EL296UH090XV36C	7043841
13HPX-042-230	43,500	14.00	11.50	40,000	26,000	3.42	3.42	8.20	CH33-48C	EL296UH090XV48C	7043846
13HPX-042-230	44,000	13.50	11.50	40,000	26,200	3.42	3.42	8.20	CH33-48C	EL296UH090XV60C	7043836
13HPX-042-230	44,000	14.00	11.50	40,000	26,200	3.42	2.42	8.20	CH33-48C	EL296UH110XE60C	7043790
13HPX-042-230	44,000	14.00	11.70	40,000	26,200	3.44	2.44	8.20	CH33-48C	EL296UH110XV48C	7043778
13HPX-042-230	44,000	14.00	11.50	40,000	26,200	3.44	3.44	8.20	CH33-48C	EL296UH110XV60C	7043831
13HPX-042-230	44,000	14.00	11.50	40,000	26,200	3.46	2.44	8.20	CH33-48C	SL280UH090V60C	7043875
13HPX-042-230	44,000	14.00	11.50	40,000	26,000	3.44	2.42	8.20	CH33-48C	SL280UH110V60C	7043876
13HPX-042-230	43,500	13.50	11.50	40,000	26,200	3.38	2.4	8.20	CH33-48C	SLP98UH090XV36C	7043812
13HPX-042-230	43,500	14.00	11.50	40,000	26,000	3.42	2.4	8.20	CH33-48C	SLP98UH090XV48C	7043813

NOTES:

Ratings are AHRI certified to AHRI Standard 210/240 (with 25 ft. of connecting refrigerant lines);

- Cooling Ratings - 95°F outdoor air temperature and 80°F db/67°F wb entering indoor coil air.
- High Temperature Heating Ratings - 47°F db/43°F wb outdoor air temperature and 70°F db entering indoor coil air.
- Low Temperature Heating Ratings - 17°F db/15°F wb outdoor air temperature and 70°F db entering indoor coil air.

All ratings include the use of a blower time delay relay (TDR). All Lennox variable-speed Furnaces and Air Handlers have time delay capabilities. Other Furnaces and Air Handlers may require an optional time delay relay (**58M81**) for field installation. See furnace or air handler specifications to determine if relay is needed.

Also see TXV Substitution Table at the beginning of the Heat Pump AHRI System Matches section.

When used with gas furnaces, a dual-fuel control, a control system with dual-fuel capabilities (LZP-2 or LZP-4), or a thermostat with dual-fuel capabilities must be used (order separately).

To convert HSPF from Region IV to Region V - Divide by 1.15.

AHRI SYSTEM MATCHES - ALL REGIONS (LIMITED AVAILABILITY)

Model No.	Cooling Capacity	SEER	EER	Heat Capacity		Heat COP		HSPF (IV)	Coil or Air Handler	Furnace	AHRI Reference
				High	Low	High	Low				
13HPX-042-230	44,000	13.50	11.50	40,000	26,200	3.42	2.42	8.20	CH33-48C	SLP98UH090XV60C	7043814
13HPX-042-230	44,000	14.00	11.50	40,000	26,200	3.44	2.42	8.20	CH33-48C	SLP98UH110XV60C	7043815
13HPX-042-230	43,500	13.00	11.00	40,500	26,600	3.30	2.34	8.00	CH33-48C		7043744
13HPX-042-230	44,000	14.00	11.50	40,500	26,200	3.76	2.6	8.70	CR33-50/60	EL180DF110E60C	7043754
13HPX-042-230	44,000	13.50	11.50	40,500	26,200	3.68	2.56	8.70	CR33-50/60	EL195DF090XE48C	7043860
13HPX-042-230	44,000	13.50	11.50	40,500	26,400	3.74	2.6	8.70	CR33-50/60	EL195DF110XE60C	7043861
13HPX-042-230	44,000	13.50	11.50	40,500	26,200	3.68	2.56	8.70	CR33-50/60	EL296DF090XE48C	7043796
13HPX-042-230	44,000	13.50	11.50	40,500	26,400	3.74	2.6	8.70	CR33-50/60	EL296DF110XE60C	7043797
13HPX-042-230	44,000	13.50	11.50	40,500	26,200	3.72	2.58	8.70	CR33-50/60	SL280DF090V60C	7043877
13HPX-042-230	44,000	14.00	11.50	40,500	26,200	3.74	2.6	8.70	CR33-50/60	SL280DF110V60C	7043866
13HPX-042-230	43,500	13.50	11.00	40,500	26,400	3.66	2.56	8.70	CR33-50/60	SLP98DF090XV36C	7043816
13HPX-042-230	44,000	13.50	11.50	40,500	26,400	3.68	2.56	8.70	CR33-50/60	SLP98DF090XV48C	7043817
13HPX-042-230	44,000	13.50	11.00	40,500	26,400	3.68	2.56	8.70	CR33-50/60	SLP98DF090XV60C	7043806
13HPX-042-230	44,000	13.50	11.50	40,500	26,400	3.70	2.58	8.70	CR33-50/60	SLP98DF110XV60C	7043807
13HPX-042-230	43,500	14.00	11.50	40,000	26,000	3.46	2.42	8.20	CX34-43	EL180UH090E48B	7043756
13HPX-042-230	44,000	14.00	12.00	39,500	26,000	3.48	2.48	8.20	CX34-43	EL180UH090E60C	7043763
13HPX-042-230	43,500	14.00	11.50	40,000	26,000	3.46	2.42	8.20	CX34-43	EL180UH090XE48B	7043781
13HPX-042-230	44,000	14.00	12.00	39,500	26,000	3.46	2.46	8.20	CX34-43	EL180UH110E60C	7043775
13HPX-042-230	44,000	14.00	12.00	39,500	26,000	3.46	2.46	8.20	CX34-43	EL180UH110XE60C	7043767
13HPX-042-230	43,500	14.00	12.00	39,500	26,000	3.42	2.44	8.20	CX34-43	EL195UH090XE48C	7043854
13HPX-042-230	44,000	14.00	12.00	40,000	26,200	3.50	2.46	8.20	CX34-43	EL195UH110XE60C	7043848
13HPX-042-230	43,500	14.00	12.00	39,500	26,000	3.42	2.44	8.20	CX34-43	EL296UH090XE48C	7043784
13HPX-042-230	43,500	14.00	11.50	39,500	26,000	3.40	3.4	8.20	CX34-43	EL296UH090XV36C	7043842
13HPX-042-230	43,500	14.00	12.00	39,500	26,000	3.42	3.42	8.20	CX34-43	EL296UH090XV48C	7043844
13HPX-042-230	44,000	14.00	12.00	40,000	26,200	3.48	3.48	8.20	CX34-43	EL296UH090XV60C	7043850
13HPX-042-230	44,000	14.00	12.00	40,000	26,200	3.50	2.46	8.20	CX34-43	EL296UH110XE60C	7043792
13HPX-042-230	44,000	14.20	12.00	40,000	20,600	3.48	2.44	8.20	CX34-43	EL296UH110XV48C	7043786
13HPX-042-230	44,000	14.00	12.00	40,000	26,000	3.50	3.5	8.20	CX34-43	EL296UH110XV60C	7043837
13HPX-042-230	43,500	14.00	11.50	40,000	26,200	3.44	2.44	8.20	CX34-43	SL280UH090V36B	7043794
13HPX-042-230	43,500	14.00	11.50	40,000	26,200	3.44	2.42	8.20	CX34-43	SL280UH090V48B	7043881
13HPX-042-230	44,000	14.00	12.00	40,000	26,000	3.54	2.48	8.20	CX34-43	SL280UH090V60C	7043882
13HPX-042-230	44,000	14.00	12.00	39,500	26,000	3.46	2.46	8.20	CX34-43	SL280UH110V60C	7043883
13HPX-042-230	43,500	14.00	11.50	39,500	26,000	3.40	2.42	8.20	CX34-43	SLP98UH090XV36C	7043808
13HPX-042-230	43,500	14.00	12.00	39,500	26,000	3.42	2.44	8.20	CX34-43	SLP98UH090XV48C	7043809
13HPX-042-230	44,000	14.00	12.00	40,000	26,200	3.48	2.48	8.20	CX34-43	SLP98UH090XV60C	7043826
13HPX-042-230	44,000	14.00	12.00	40,000	26,000	3.50	2.46	8.20	CX34-43	SLP98UH110XV60C	7043827
13HPX-042-230	43,000	13.00	11.00	40,500	26,800	3.32	2.36	8.00	CX34-43		7043742
13HPX-042-230	43,500	14.00	12.00	39,500	26,000	3.42	2.44	8.20	CX34-50/60C	EL180UH090E60C	7043762
13HPX-042-230	43,000	14.00	11.50	39,500	26,000	3.40	2.44	8.20	CX34-50/60C	EL180UH110E60C	7043772
13HPX-042-230	43,000	14.00	11.50	39,500	26,000	3.40	2.44	8.20	CX34-50/60C	EL180UH110XE60C	7043766
13HPX-042-230	43,000	14.00	11.50	39,500	26,000	3.36	2.42	8.20	CX34-50/60C	EL195UH090XE48C	7043855
13HPX-042-230	43,500	14.00	11.50	40,000	26,200	3.44	2.44	8.20	CX34-50/60C	EL195UH110XE60C	7043849
13HPX-042-230	43,000	14.00	11.50	39,500	26,000	3.36	2.42	8.20	CX34-50/60C	EL296UH090XE48C	7043783
13HPX-042-230	43,000	13.50	11.50	40,000	26,200	3.38	3.38	8.20	CX34-50/60C	EL296UH090XV36C	7043840
13HPX-042-230	43,500	14.00	11.50	39,500	26,000	3.38	3.38	8.20	CX34-50/60C	EL296UH090XV48C	7043845
13HPX-042-230	43,500	13.50	11.50	40,000	26,400	3.42	3.42	8.20	CX34-50/60C	EL296UH090XV60C	7043847
13HPX-042-230	43,500	14.00	11.50	40,000	26,200	3.44	2.44	8.20	CX34-50/60C	EL296UH110XE60C	7043782

NOTES:

Ratings are AHRI certified to AHRI Standard 210/240 (with 25 ft. of connecting refrigerant lines);

- Cooling Ratings - 95°F outdoor air temperature and 80°F db/67°F wb entering indoor coil air.
- High Temperature Heating Ratings - 47°F db/43°F wb outdoor air temperature and 70°F db entering indoor coil air.
- Low Temperature Heating Ratings - 17°F db/15°F wb outdoor air temperature and 70°F db entering indoor coil air.

All ratings include the use of a blower time delay relay (TDR). All Lennox variable-speed Furnaces and Air Handlers have time delay capabilities. Other Furnaces and Air Handlers may require an optional time delay relay (**58M81**) for field installation. See furnace or air handler specifications to determine if relay is needed.

Also see TXV Substitution Table at the beginning of the Heat Pump AHRI System Matches section.

When used with gas furnaces, a dual-fuel control, a control system with dual-fuel capabilities (LZP-2 or LZP-4), or a thermostat with dual-fuel capabilities must be used (order separately).

To convert HSPF from Region IV to Region V - Divide by 1.15.

AHRI SYSTEM MATCHES - ALL REGIONS (LIMITED AVAILABILITY)

Model No.	Cooling Capacity	SEER	EER	Heat Capacity		Heat COP		HSPF (IV)	Coil or Air Handler	Furnace	AHRI Reference
				High	Low	High	Low				
13HPX-042-230	43,500	14.00	11.70	40,000	26,200	3.44	2.44	8.20	CX34-50/60C	EL296UH110XV48C	7043776
13HPX-042-230	43,500	14.00	11.50	40,000	26,000	3.44	3.44	8.20	CX34-50/60C	EL296UH110XV60C	7043830
13HPX-042-230	43,500	14.00	11.50	40,000	26,200	3.46	2.46	8.20	CX34-50/60C	SL280UH090V60C	7043878
13HPX-042-230	43,500	14.00	11.50	39,500	26,000	3.40	2.42	8.20	CX34-50/60C	SL280UH110V60C	7043872
13HPX-042-230	43,000	13.50	11.50	40,000	26,200	3.38	2.42	8.20	CX34-50/60C	SLP98UH090XV36C	7043828
13HPX-042-230	43,500	14.00	11.50	39,500	26,000	3.38	2.42	8.20	CX34-50/60C	SLP98UH090XV48C	7043829
13HPX-042-230	43,500	13.50	11.50	40,000	26,400	3.42	2.44	8.20	CX34-50/60C	SLP98UH090XV60C	7043818
13HPX-042-230	43,500	14.00	11.50	40,000	26,000	3.44	2.42	8.20	CX34-50/60C	SLP98UH110XV60C	7043819
13HPX-042-230	43,000	13.00	11.00	40,500	26,600	3.30	2.34	8.00	CX34-50/60C		7043741
13HPX-048-230	47,000	13.50	11.50	43,000	28,800	3.32	2.36	8.20	C33-49	EL180UH090E60C	7043903
13HPX-048-230	47,500	13.50	11.50	44,000	29,600	3.36	2.38	8.20	C33-49	EL180UH110E60C	7043918
13HPX-048-230	47,500	13.50	11.50	44,000	29,600	3.36	2.38	8.20	C33-49	EL180UH110XE60C	7043915
13HPX-048-230	47,000	13.50	11.50	43,500	29,000	3.32	2.34	8.00	C33-49	EL195UH090XE48C	7043973
13HPX-048-230	47,000	13.50	11.50	43,500	29,000	3.34	2.36	8.20	C33-49	EL195UH110XE60C	7043977
13HPX-048-230	47,000	13.50	11.50	43,500	29,000	3.32	2.34	8.00	C33-49	EL296UH090XE48C	7043936
13HPX-048-230	47,000	13.50	11.50	43,500	29,000	3.32	3.32	8.20	C33-49	EL296UH090XV48C	7043955
13HPX-048-230	47,000	13.50	11.50	43,500	29,000	3.32	3.32	8.20	C33-49	EL296UH090XV60C	7043950
13HPX-048-230	47,000	13.50	11.50	43,500	29,000	3.34	2.36	8.20	C33-49	EL296UH110XE60C	7043935
13HPX-048-230	47,000	13.50	11.50	43,500	29,000	3.32	2.34	8.00	C33-49	EL296UH110XV48C	7043924
13HPX-048-230	47,000	13.50	11.50	43,500	29,200	3.32	3.32	8.20	C33-49	EL296UH110XV60C	7043960
13HPX-048-230	47,000	13.50	11.50	43,500	29,000	3.36	2.38	8.20	C33-49	SL280UH090V60C	7043980
13HPX-048-230	47,000	13.50	11.50	43,500	28,800	3.36	2.34	8.20	C33-49	SL280UH110V60C	7043981
13HPX-048-230	47,000	13.50	11.50	43,500	29,000	3.32	2.34	8.20	C33-49	SLP98UH090XV48C	7043940
13HPX-048-230	47,000	13.50	11.50	43,500	29,000	3.32	2.34	8.20	C33-49	SLP98UH090XV60C	7043941
13HPX-048-230	47,000	13.50	11.50	43,500	29,200	3.32	2.36	8.20	C33-49	SLP98UH110XV60C	7043942
13HPX-048-230	46,500	13.00	11.00	44,000	29,400	3.26	2.3	8.00	C33-49		7043891
13HPX-048-230	48,500	13.50	12.00	43,500	29,000	3.42	2.4	8.20	C33-60D	EL180UH135E60D	7043910
13HPX-048-230	48,000	13.50	11.50	43,500	29,200	3.34	2.36	8.20	C33-60D	EL195UH135XE60D	7043969
13HPX-048-230	48,000	13.50	11.50	43,500	29,200	3.34	2.36	8.20	C33-60D	EL296UH135XE60D	7043925
13HPX-048-230	48,500	13.50	11.50	43,500	29,200	3.38	3.38	8.20	C33-60D	EL296UH135XV60D	7043963
13HPX-048-230	48,500	13.50	12.00	43,500	29,200	3.38	2.4	8.20	C33-60D	SL280UH135V60D	7043982
13HPX-048-230	48,500	13.50	11.50	43,500	29,200	3.38	2.4	8.20	C33-60D	SLP98UH135XV60D	7043931
13HPX-048-230	48,000	13.00	11.00	44,000	29,600	3.28	2.3	8.00	C33-60D		7043892
13HPX-048-230	47,000	13.00	11.00	43,500	29,000	3.34	2.42	8.00	CBX25UH-048		7043913
13HPX-048-230	46,500	13.00	11.00	43,500	29,200	3.30	2.42	8.00	CBX25UH-060		7043906
13HPX-048-230	47,500	14.00	12.00	43,000	28,600	3.42	2.5	8.00	CBX25UHV-048		7043899
13HPX-048-230	48,000	13.50	11.00	45,000	30,200	3.58	2.58	8.20	CBX27UH-048		7043898
13HPX-048-230	50,000	13.50	11.00	44,500	30,000	3.68	2.62	8.20	CBX27UH-060		7043993
13HPX-048-230	48,000	13.00	11.50	45,000	30,200	3.54	2.54	8.70	CBX32M-048		7043893
13HPX-048-230	49,000	13.00	11.50	44,000	30,000	3.48	2.5	8.50	CBX32M-060		7043991
13HPX-048-230	48,000	13.50	11.00	44,500	30,000	3.56	2.58	8.00	CBX32MV-048		7043894
13HPX-048-230	49,000	13.50	11.00	43,500	29,400	3.52	2.52	8.00	CBX32MV-060		7043895
13HPX-048-230	48,000	13.50	11.50	44,500	30,000	3.52	2.54	8.00	CBX40UHV-042		7043896
13HPX-048-230	48,000	13.50	11.50	44,500	29,800	3.56	2.56	8.00	CBX40UHV-048		7043897
13HPX-048-230	49,500	13.50	11.00	45,000	29,400	3.52	2.54	8.00	CBX40UHV-060		7043992
13HPX-048-230	49,000	13.50	12.00	44,000	29,200	3.38	2.42	8.20	CH33-49	EL180UH090E60C	7043901
13HPX-048-230	49,500	13.50	11.50	44,500	29,800	3.40	2.42	8.20	CH33-49	EL180UH110E60C	7043908

NOTES:

Ratings are AHRI certified to AHRI Standard 210/240 (with 25 ft. of connecting refrigerant lines);

- Cooling Ratings - 95°F outdoor air temperature and 80°F db/67°F wb entering indoor coil air.
- High Temperature Heating Ratings - 47°F db/43°F wb outdoor air temperature and 70°F db entering indoor coil air.
- Low Temperature Heating Ratings - 17°F db/15°F wb outdoor air temperature and 70°F db entering indoor coil air.

All ratings include the use of a blower time delay relay (TDR). All Lennox variable-speed Furnaces and Air Handlers have time delay capabilities. Other Furnaces and Air Handlers may require an optional time delay relay (**58M81**) for field installation. See furnace or air handler specifications to determine if relay is needed.

Also see TXV Substitution Table at the beginning of the Heat Pump AHRI System Matches section.

When used with gas furnaces, a dual-fuel control, a control system with dual-fuel capabilities (LZP-2 or LZP-4), or a thermostat with dual-fuel capabilities must be used (order separately).

To convert HSPF from Region IV to Region V - Divide by 1.15.

AHRI SYSTEM MATCHES - ALL REGIONS (LIMITED AVAILABILITY)

Model No.	Cooling Capacity	SEER	EER	Heat Capacity		Heat COP		HSPF (IV)	Coil or Air Handler	Furnace	AHRI Reference
				High	Low	High	Low				
13HPX-048-230	49,500	13.50	11.50	44,500	29,800	3.40	2.42	8.20	CH33-49	EL180UH110XE60C	7043916
13HPX-048-230	49,000	13.50	11.50	44,000	29,200	3.34	2.38	8.20	CH33-49	EL195UH090XE48C	7043974
13HPX-048-230	49,000	13.50	11.50	44,000	29,200	3.36	2.4	8.20	CH33-49	EL195UH110XE60C	7043978
13HPX-048-230	49,000	13.50	11.50	44,000	29,200	3.34	2.38	8.20	CH33-49	EL296UH090XE48C	7043934
13HPX-048-230	49,000	13.50	11.50	44,500	29,600	3.38	3.38	8.20	CH33-49	EL296UH090XV48C	7043961
13HPX-048-230	49,000	13.50	11.50	44,500	29,600	3.38	3.38	8.20	CH33-49	EL296UH090XV60C	7043956
13HPX-048-230	49,000	13.50	11.50	44,000	29,200	3.36	2.4	8.20	CH33-49	EL296UH110XE60C	7043920
13HPX-048-230	49,000	13.50	11.70	44,500	29,400	3.38	2.38	8.20	CH33-49	EL296UH110XV48C	7043921
13HPX-048-230	49,500	13.50	11.50	44,500	29,600	3.38	3.38	8.20	CH33-49	EL296UH110XV60C	7043958
13HPX-048-230	49,500	13.50	12.00	44,000	29,400	3.40	2.38	8.20	CH33-49	SL280UH090V60C	7043990
13HPX-048-230	49,000	13.50	11.50	44,000	29,200	3.38	2.34	8.20	CH33-49	SL280UH110V60C	7043979
13HPX-048-230	49,000	13.50	11.50	44,500	29,600	3.38	2.34	8.20	CH33-49	SLP98UH090XV48C	7043937
13HPX-048-230	49,000	13.50	11.50	44,500	29,600	3.38	2.34	8.20	CH33-49	SLP98UH090XV60C	7043938
13HPX-048-230	49,500	13.50	11.50	44,500	29,600	3.38	2.36	8.20	CH33-49	SLP98UH110XV60C	7043939
13HPX-048-230	49,000	13.00	11.50	44,500	29,800	3.30	2.36	8.20	CH33-49		7043889
13HPX-048-230	48,500	13.50	11.50	44,000	29,000	3.36	2.4	8.20	CH33-50/60C	EL180UH090E60C	7043902
13HPX-048-230	49,500	13.50	11.50	44,500	29,800	3.38	2.42	8.20	CH33-50/60C	EL180UH110E60C	7043907
13HPX-048-230	49,500	13.50	11.50	44,500	29,800	3.38	2.42	8.20	CH33-50/60C	EL180UH110XE60C	7043914
13HPX-048-230	48,500	13.50	11.50	44,000	29,200	3.32	2.38	8.20	CH33-50/60C	EL195UH090XE48C	7043975
13HPX-048-230	48,500	13.50	11.50	44,000	29,200	3.34	2.4	8.20	CH33-50/60C	EL195UH110XE60C	7043967
13HPX-048-230	48,500	13.50	11.50	44,000	29,200	3.32	2.38	8.20	CH33-50/60C	EL296UH090XE48C	7043919
13HPX-048-230	49,000	13.50	11.50	44,500	29,400	3.36	3.36	8.20	CH33-50/60C	EL296UH090XV48C	7043949
13HPX-048-230	49,000	13.50	11.50	44,500	29,400	3.36	3.36	8.20	CH33-50/60C	EL296UH090XV60C	7043959
13HPX-048-230	48,500	13.50	11.50	44,000	29,200	3.34	2.4	8.20	CH33-50/60C	EL296UH110XE60C	7043930
13HPX-048-230	48,500	13.50	11.50	44,500	29,400	3.36	2.38	8.20	CH33-50/60C	EL296UH110XV48C	7043922
13HPX-048-230	49,000	13.50	11.50	44,500	29,400	3.38	3.38	8.20	CH33-50/60C	EL296UH110XV60C	7043962
13HPX-048-230	49,000	13.50	11.50	44,000	29,200	3.38	2.42	8.20	CH33-50/60C	SL280UH090V60C	7043985
13HPX-048-230	49,000	13.50	11.50	44,000	29,200	3.34	2.4	8.20	CH33-50/60C	SL280UH110V60C	7043986
13HPX-048-230	49,000	13.50	11.50	44,500	29,400	3.36	2.4	8.20	CH33-50/60C	SLP98UH090XV48C	7043943
13HPX-048-230	49,000	13.50	11.50	44,500	29,400	3.36	2.4	8.20	CH33-50/60C	SLP98UH090XV60C	7043944
13HPX-048-230	49,000	13.50	11.50	44,500	29,400	3.38	2.42	8.20	CH33-50/60C	SLP98UH110XV60C	7043945
13HPX-048-230	48,500	13.00	11.00	44,500	29,600	3.28	2.34	8.00	CH33-50/60C		7043886
13HPX-048-230	49,000	13.50	12.00	44,000	29,000	3.38	2.4	8.20	CH33-60D	EL180UH135E60D	7043912
13HPX-048-230	48,500	13.00	11.00	44,000	29,200	3.30	2.36	8.00	CH33-60D	EL195UH135XE60D	7043970
13HPX-048-230	48,500	13.00	11.00	44,000	29,200	3.30	2.36	8.00	CH33-60D	EL296UH135XE60D	7043933
13HPX-048-230	48,500	13.00	11.00	44,500	29,600	3.24	3.24	8.00	CH33-60D	EL296UH135XV60D	7043964
13HPX-048-230	48,500	13.50	11.50	44,000	29,000	3.36	2.38	8.20	CH33-60D	SL280UH135V60D	7043987
13HPX-048-230	48,500	13.00	11.00	44,500	29,600	3.24	2.32	8.00	CH33-60D	SLP98UH135XV60D	7043946
13HPX-048-230	48,500	13.00	11.00	44,500	29,600	3.24	2.32	8.00	CH33-60D		7043890
13HPX-048-230	48,500	13.50	12.00	43,500	29,600	3.54	2.54	8.70	CR33-50/60	EL180DF110E60C	7043905
13HPX-048-230	48,000	13.50	11.50	44,000	29,800	3.48	2.5	8.50	CR33-50/60	EL195DF090XE48C	7043983
13HPX-048-230	48,000	13.00	11.50	43,500	29,600	3.50	2.52	8.50	CR33-50/60	EL195DF110XE60C	7043984
13HPX-048-230	48,000	13.50	11.50	44,000	29,800	3.48	2.5	8.50	CR33-50/60	EL296DF090XE48C	7043932
13HPX-048-230	48,000	13.00	11.50	43,500	29,600	3.50	2.52	8.50	CR33-50/60	EL296DF110XE60C	7043926
13HPX-048-230	48,500	13.50	12.00	43,500	29,800	3.52	2.56	8.70	CR33-50/60	SL280DF090V60C	7043988
13HPX-048-230	48,500	13.50	12.00	43,500	29,600	3.52	2.54	8.70	CR33-50/60	SL280DF110V60C	7043989
13HPX-048-230	48,000	13.50	11.50	44,000	30,000	3.48	2.5	8.50	CR33-50/60	SLP98DF090XV60C	7043947

NOTES:

Ratings are AHRI certified to AHRI Standard 210/240 (with 25 ft. of connecting refrigerant lines);

- Cooling Ratings - 95°F outdoor air temperature and 80°F db/67°F wb entering indoor coil air.
- High Temperature Heating Ratings - 47°F db/43°F wb outdoor air temperature and 70°F db entering indoor coil air.
- Low Temperature Heating Ratings - 17°F db/15°F wb outdoor air temperature and 70°F db entering indoor coil air.

All ratings include the use of a blower time delay relay (TDR). All Lennox variable-speed Furnaces and Air Handlers have time delay capabilities. Other Furnaces and Air Handlers may require an optional time delay relay (**58M81**) for field installation. See furnace or air handler specifications to determine if relay is needed.

Also see TXV Substitution Table at the beginning of the Heat Pump AHRI System Matches section.

When used with gas furnaces, a dual-fuel control, a control system with dual-fuel capabilities (LZP-2 or LZP-4), or a thermostat with dual-fuel capabilities must be used (order separately).

To convert HSPF from Region IV to Region V - Divide by 1.15.

AHRI SYSTEM MATCHES - ALL REGIONS (LIMITED AVAILABILITY)

Model No.	Cooling Capacity	SEER	EER	Heat Capacity		Heat COP		HSPF (IV)	Coil or Air Handler	Furnace	AHRI Reference
				High	Low	High	Low				
13HPX-048-230	48,500	13.00	11.50	44,000	30,000	3.46	2.5	8.50	CR33-50/60	SLP98DF110XV60C	7043948
13HPX-048-230	48,000	13.00	11.00	44,500	30,200	3.42	2.44	8.20	CR33-50/60		7043887
13HPX-048-230	48,000	13.00	11.00	44,500	30,200	3.42	2.44	8.20	CR33-60		7043888
13HPX-048-230	47,000	13.50	11.50	43,000	28,800	3.32	2.36	8.20	CX34-49	EL180UH090E60C	7043904
13HPX-048-230	47,500	13.50	11.50	44,000	29,600	3.36	2.38	8.20	CX34-49	EL180UH110E60C	7043909
13HPX-048-230	47,500	13.50	11.50	44,000	29,600	3.36	2.38	8.20	CX34-49	EL180UH110XE60C	7043917
13HPX-048-230	47,000	13.50	11.50	43,500	29,000	3.32	2.34	8.00	CX34-49	EL195UH090XE48C	7043976
13HPX-048-230	47,000	13.50	11.50	43,500	29,000	3.34	2.36	8.20	CX34-49	EL195UH110XE60C	7043968
13HPX-048-230	47,000	13.50	11.50	43,500	29,000	3.32	2.34	8.00	CX34-49	EL296UH090XE48C	7043929
13HPX-048-230	47,000	13.50	11.50	43,500	29,000	3.32	3.32	8.20	CX34-49	EL296UH090XV48C	7043972
13HPX-048-230	47,000	13.50	11.50	43,500	29,000	3.32	3.32	8.20	CX34-49	EL296UH090XV60C	7043965
13HPX-048-230	47,000	13.50	11.50	43,500	29,000	3.34	2.36	8.20	CX34-49	EL296UH110XE60C	7043928
13HPX-048-230	47,000	13.50	11.50	43,500	29,000	3.32	2.34	8.00	CX34-49	EL296UH110XV48C	7043923
13HPX-048-230	47,000	13.50	11.50	43,500	29,200	3.32	3.32	8.20	CX34-49	EL296UH110XV60C	7043957
13HPX-048-230	47,000	13.50	11.50	43,500	29,000	3.36	2.38	8.20	CX34-49	SL280UH090V60C	7043994
13HPX-048-230	47,000	13.50	11.50	43,500	28,800	3.36	2.34	8.20	CX34-49	SL280UH110V60C	7043995
13HPX-048-230	47,000	13.50	11.50	43,500	29,000	3.32	2.34	8.20	CX34-49	SLP98UH090XV48C	7043951
13HPX-048-230	47,000	13.50	11.50	43,500	29,000	3.32	2.34	8.20	CX34-49	SLP98UH090XV60C	7043952
13HPX-048-230	47,000	13.50	11.50	43,500	29,200	3.32	2.36	8.20	CX34-49	SLP98UH110XV60C	7043953
13HPX-048-230	46,500	13.00	11.00	44,000	29,400	3.26	2.3	8.00	CX34-49		7043884
13HPX-048-230	48,500	13.50	12.00	43,500	29,000	3.42	2.4	8.20	CX34-60D	EL180UH135E60D	7043911
13HPX-048-230	48,000	13.50	11.50	43,500	29,200	3.34	2.36	8.20	CX34-60D	EL195UH135XE60D	7043971
13HPX-048-230	48,000	13.50	11.50	43,500	29,200	3.34	2.36	8.20	CX34-60D	EL296UH135XE60D	7043927
13HPX-048-230	48,500	13.50	11.50	43,500	29,200	3.38	3.38	8.20	CX34-60D	EL296UH135XV60D	7043966
13HPX-048-230	48,500	13.50	12.00	43,500	29,200	3.38	2.4	8.20	CX34-60D	SL280UH135V60D	7043996
13HPX-048-230	48,500	13.50	11.50	43,500	29,200	3.38	2.4	8.20	CX34-60D	SLP98UH135XV60D	7043954
13HPX-048-230	48,000	13.00	11.00	44,000	29,600	3.28	2.32	8.00	CX34-60D		7043885
13HPX-060-230	59,000	13.00	11.00	54,500	34,600	3.34	2.32	8.00	C33-62C	EL180UH090E60C	7044008
13HPX-060-230	59,000	13.00	11.00	54,500	34,800	3.32	2.34	8.00	C33-62C	EL180UH110E60C	7044011
13HPX-060-230	59,000	13.00	11.00	54,500	34,800	3.32	2.34	8.00	C33-62C	EL180UH110XE60C	7044009
13HPX-060-230	59,000	13.00	10.95	54,500	34,800	3.30	2.32	7.70	C33-62C	EL195UH110XE60C	7044037
13HPX-060-230	59,000	13.00	10.95	55,000	35,000	3.30	3.3	7.70	C33-62C	EL296UH090XV48C	7044030
13HPX-060-230	59,000	13.00	10.95	54,500	34,800	3.30	2.32	7.70	C33-62C	EL296UH110XE60C	7044018
13HPX-060-230	59,000	13.00	10.95	55,000	35,000	3.30	3.3	7.70	C33-62C	EL296UH110XV60C	7044022
13HPX-060-230	59,500	13.00	11.00	55,000	34,800	3.36	2.32	8.00	C33-62C	SL280UH090V60C	7044035
13HPX-060-230	59,500	13.00	11.00	55,000	35,000	3.32	2.3	8.00	C33-62C	SL280UH110V60C	7044036
13HPX-060-230	59,000	13.00	10.95	55,000	35,000	3.30	2.3	7.70	C33-62C	SLP98UH090XV48C	7044015
13HPX-060-230	59,000	13.00	10.95	55,000	35,000	3.30	2.3	7.70	C33-62C	SLP98UH110XV60C	7044016
13HPX-060-230	59,500	13.00	11.00	55,000	35,200	3.30	2.3	7.70	C33-62C		7044000
13HPX-060-230	59,000	13.00	11.00	54,500	36,000	3.26	3.26	8.00	C33-62D	EL296UH135XV60D	7044021
13HPX-060-230	59,000	13.00	11.00	56,000	36,600	3.24	2.36	7.70	CBX25UH-060		7044020
13HPX-060-230	59,500	13.00	11.00	55,500	36,200	3.26	2.4	7.70	CBX25UHV-060		7174427
13HPX-060-230	58,500	13.00	10.90	55,500	36,200	3.48	2.46	8.20	CBX27UH-060		7044004
13HPX-060-230	58,000	13.00	10.95	55,000	36,000	3.34	2.42	8.00	CBX32MV-060		7044002
13HPX-060-230	59,000	13.00	10.95	54,000	35,400	3.18	2.32	7.70	CBX32MV-068		7044003
13HPX-060-230	58,000	13.00	11.00	55,000	36,000	3.36	2.42	8.00	CBX40UHV-060		7044001
13HPX-060-230	59,500	13.00	11.00	55,000	35,800	3.20	2.34	7.70	CH33-62D	EL180UH135E60D	7044013

NOTES:

Ratings are AHRI certified to AHRI Standard 210/240 (with 25 ft. of connecting refrigerant lines);

• Cooling Ratings - 95°F outdoor air temperature and 80°F db/67°F wb entering indoor coil air.

• High Temperature Heating Ratings - 47°F db/43°F wb outdoor air temperature and 70°F db entering indoor coil air.

• Low Temperature Heating Ratings - 17°F db/15°F wb outdoor air temperature and 70°F db entering indoor coil air.

All ratings include the use of a blower time delay relay (TDR). All Lennox variable-speed Furnaces and Air Handlers have time delay capabilities. Other Furnaces and Air Handlers may require an optional time delay relay (**58M81**) for field installation. See furnace or air handler specifications to determine if relay is needed.

Also see TXV Substitution Table at the beginning of the Heat Pump AHRI System Matches section.

When used with gas furnaces, a dual-fuel control, a control system with dual-fuel capabilities (LZP-2 or LZP-4), or a thermostat with dual-fuel capabilities must be used (order separately).

To convert HSPF from Region IV to Region V - Divide by 1.15.

AHRI SYSTEM MATCHES - ALL REGIONS (LIMITED AVAILABILITY)

Model No.	Cooling Capacity	SEER	EER	Heat Capacity		Heat COP		HSPF (IV)	Coil or Air Handler	Furnace	AHRI Reference
				High	Low	High	Low				
13HPX-060-230	59,000	13.00	10.90	55,000	35,800	3.18	3.18	7.70	CH33-62D	EL296UH135XV60D	7044032
13HPX-060-230	59,500	13.00	10.95	55,000	36,000	3.18	2.32	7.70	CH33-62D	SL280UH135V60D	7044034
13HPX-060-230	59,000	13.00	10.90	55,000	35,800	3.18	2.32	7.70	CH33-62D	SLP98UH135XV60D	7044026
13HPX-060-230	59,000	13.00	11.00	54,500	34,600	3.34	2.32	8.00	CX34-62C	EL180UH090E60C	7044007
13HPX-060-230	59,000	13.00	11.00	54,500	34,800	3.32	2.34	8.00	CX34-62C	EL180UH110E60C	7044012
13HPX-060-230	59,000	13.00	11.00	54,500	34,800	3.32	2.34	8.00	CX34-62C	EL180UH110XE60C	7044010
13HPX-060-230	59,000	13.00	10.95	54,500	34,800	3.30	2.32	7.70	CX34-62C	EL195UH110XE60C	7044038
13HPX-060-230	59,000	13.00	10.95	55,000	35,000	3.30	3.3	7.70	CX34-62C	EL296UH090XV48C	7044029
13HPX-060-230	59,000	13.00	10.95	54,500	34,800	3.30	2.32	7.70	CX34-62C	EL296UH110XE60C	7044017
13HPX-060-230	59,000	13.00	10.95	55,000	35,000	3.30	3.3	7.70	CX34-62C	EL296UH110XV60C	7044028
13HPX-060-230	59,500	13.00	11.00	55,000	34,800	3.36	2.32	8.00	CX34-62C	SL280UH090V60C	7044005
13HPX-060-230	59,500	13.00	11.00	55,000	35,000	3.32	2.3	8.00	CX34-62C	SL280UH110V60C	7044006
13HPX-060-230	59,000	13.00	10.95	55,000	35,000	3.30	2.3	7.70	CX34-62C	SLP98UH090XV48C	7044023
13HPX-060-230	59,000	13.00	10.95	55,000	35,000	3.30	2.3	7.70	CX34-62C	SLP98UH110XV60C	7044024
13HPX-060-230	59,500	13.00	11.00	55,000	35,200	3.30	2.3	7.70	CX34-62C		7043999
13HPX-060-230	59,500	13.00	11.00	54,000	36,000	3.24	2.36	8.00	CX34-62D	EL180UH135E60D	7044014
13HPX-060-230	59,500	13.00	11.00	54,500	36,200	3.22	2.32	7.70	CX34-62D	EL195UH135XE60D	7044027
13HPX-060-230	59,500	13.00	11.00	54,500	36,200	3.22	2.32	7.70	CX34-62D	EL296UH135XE60D	7044019
13HPX-060-230	59,000	13.00	11.00	54,500	36,000	3.26	3.26	8.00	CX34-62D	EL296UH135XV60D	7044031
13HPX-060-230	59,500	13.00	11.00	54,500	36,200	3.26	2.36	8.00	CX34-62D	SL280UH135V60D	7044033
13HPX-060-230	59,000	13.00	11.00	54,500	36,000	3.26	2.34	8.00	CX34-62D	SLP98UH135XV60D	7044025

NOTES:

Ratings are AHRI certified to AHRI Standard 210/240 (with 25 ft. of connecting refrigerant lines);

- Cooling Ratings - 95°F outdoor air temperature and 80°F db/67°F wb entering indoor coil air.
- High Temperature Heating Ratings - 47°F db/43°F wb outdoor air temperature and 70°F db entering indoor coil air.
- Low Temperature Heating Ratings - 17°F db/15°F wb outdoor air temperature and 70°F db entering indoor coil air.

All ratings include the use of a blower time delay relay (TDR). All Lennox variable-speed Furnaces and Air Handlers have time delay capabilities. Other Furnaces and Air Handlers may require an optional time delay relay (**58M81**) for field installation. See furnace or air handler specifications to determine if relay is needed.

Also see TXV Substitution Table at the beginning of the Heat Pump AHRI System Matches section.

When used with gas furnaces, a dual-fuel control, a control system with dual-fuel capabilities (LZP-2 or LZP-4), or a thermostat with dual-fuel capabilities must be used (order separately).

To convert HSPF from Region IV to Region V - Divide by 1.15.

REVISIONS

Sections	Description of Change
TXV Substitutions	Updated to reflect new expansion valve catalog numbers and usage.
TXV Usage	Updated to reflect new expansion valve catalog numbers and usage.



Visit us at www.lennox.com

For the latest technical information, www.lennox.com

Contact us at 1-800-4-LENNOX

NOTE - Due to Lennox' ongoing commitment to quality, Specifications, Ratings and Dimensions subject to change without notice and without incurring liability. Improper installation, adjustment, alteration, service or maintenance can cause property damage or personal injury. Installation and service must be performed by a qualified installer and servicing agency.

©2015 Lennox Industries, Inc.