

MINI-SPLIT SYSTEMS

3PC/3WMC

Mini-Split

3 Ton Single Zone Heat Pump System - R-410A - 60 Hz

Bulletin No. 210952  
April 2022



COMMERCIAL  
PRODUCT SPECIFICATIONS



3WMC036 Wall-Mounted  
Non-Ducted Indoor Unit



Wireless  
Remote Control  
(furnished with  
3WMC036 Wall-Mount  
Non-Ducted Model)



3PC036 Heat Pump  
Outdoor Units

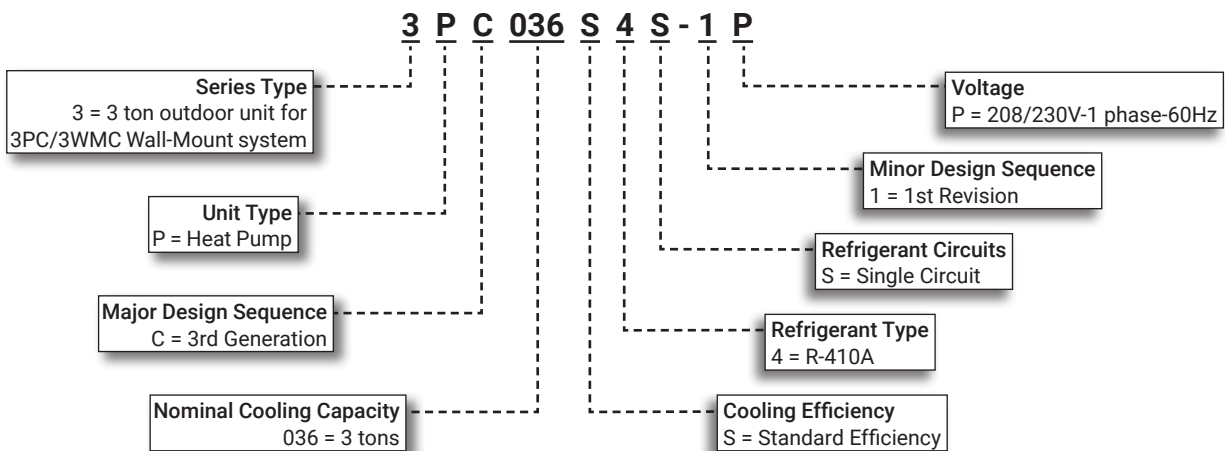


SEER 17.50  
HSPF - 9.00  
3 Tons

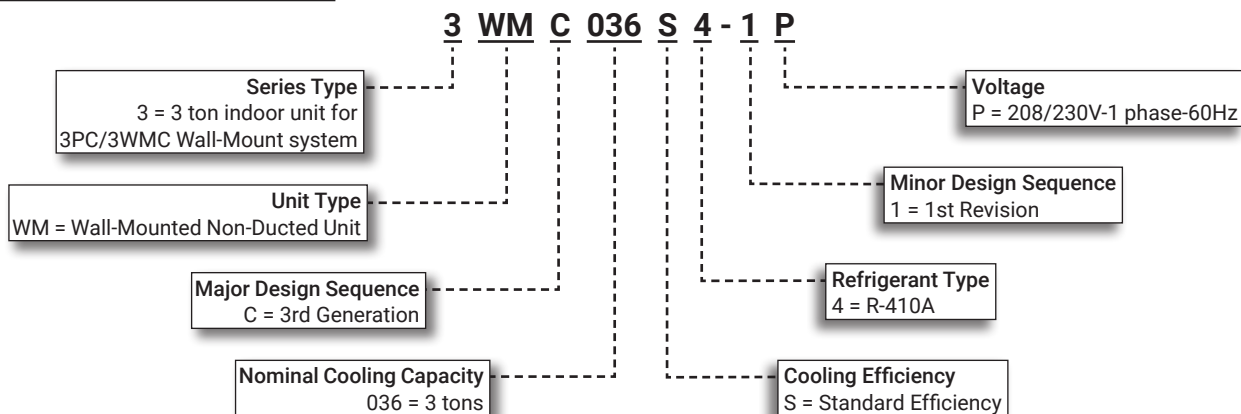
Cooling Capacity - 36,000 Btuh  
Heating Capacity - 36,000 Btuh

## MODEL NUMBER IDENTIFICATION

### OUTDOOR SINGLE ZONE HEAT PUMP UNIT



### WALL-MOUNTED INDOOR UNIT



## CONTENTS

Air Throw Data - Wall-Mounted Indoor Units . . . . .	19
AHRI System Match . . . . .	14
Approvals And Warranty . . . . .	3
Dimensions . . . . .	16
- Outdoor Unit . . . . .	16
- Wall-Mounted Indoor Unit. . . . .	17
- Wall-Mounted Indoor Unit - Wall Plate. . . . .	17
Features - Indoor Units . . . . .	5
Features - Outdoor Units . . . . .	3
Installation Clearances . . . . .	18
- Outdoor Unit . . . . .	18
- Wall-Mounted Indoor Unit. . . . .	18
Line Set And Elevation Guidelines. . . . .	19
Model Number Identification. . . . .	2
Optional Accessories - Order Separately . . . . .	14
Remote Controller - Furnished . . . . .	6
Specifications . . . . .	13
- 3PC Outdoor Unit . . . . .	13
- 3WMC Wall-Mounted Indoor Unit . . . . .	13

## APPROVALS AND WARRANTY

### APPROVALS

**NOTE** - The 3PC036 outdoor unit can only be matched with the 3WMC036 indoor unit.

- AHRI Standard 210/240 certified with Addenda 1 and 2
- ENERGY STAR® certified
- Rated According to U.S. Department of Energy (DOE) test procedures
- Indoor and outdoor units and components UL and CEC bonded for grounding to meet safety standards for servicing
- ETL certified for the U.S. and Canada
- Meets 2014 Florida Building Code Wind Design Criteria
  - Ultimate Wind Speed – 186 miles per hour
  - Risk Categories – III and IV
  - Wind Exposures – C and D
  - Mean Roof Heights – Up to 60 feet above ground

### WARRANTY

- Compressor - Limited seven years
- All other covered components - Limited five years

**NOTE** - Refer to Lennox Basic Limited Warranty at [www.Lennox.com](http://www.Lennox.com) for additional details.

## FEATURES - OUTDOOR UNITS

### APPLICATIONS

- 3 ton
- Single phase power supply (208/230V)
- Outdoor unit sound levels 61.5 dBA
- Indoor unit sound levels as low as 35.5 dBA
- Ductless mini-split system provides an alternative when a ducted system is impractical or cost prohibitive
- Units are shipped completely factory assembled, internally piped, and wired

**NOTE** - Outdoor unit is designed for outdoor location only.

### REFRIGERATION SYSTEM

#### R-410A Refrigerant

- Non-chlorine, ozone friendly
- Unit is factory pre-charged

#### Outdoor Coil

- Aluminum fins fitted to copper tubes
- Wire grille guard provided

#### Outdoor Fan

- Direct drive fan moves large air volumes uniformly through entire outdoor coil for high refrigeration capacity
- Fan guard provided

#### Refrigerant Line Connections, Service Valve

- Flare connection lines are located on side of unit cabinet
- Fully serviceable brass service valve prevents corrosion and provides access to refrigerant system

### COMPRESSOR

#### Variable Frequency Rotary Compressor

- Compressor features high efficiency operation
- Balanced for reduced vibration and quiet operation
- Brushless DC motor uses powerful Neodymium magnets, which are approximately 15-20 times stronger than ferrite magnets used in conventional AC compressors

#### Compressor Crankcase Heater

- Protects against liquid refrigerant migration that can occur during low ambient operation

### CONTROLS

#### DC Inverter Control

- Provides continuous operation, while adjusting capacity according to room temperature
- The accurate sensing of cooling loads prevents frequent changes in capacity and ensures efficient, economical operation

#### Inverter Module Protection

- Protects against differences in current, voltage and temperature
- Displays code on the indoor unit indicating a need for servicing

#### Outdoor Unit Microprocessor

- Electronic expansion valve control
- Automatic compressor timed-off protection (3 minutes)
- Temperature sensor
- LEDs on control display error codes and assist in troubleshooting
- 4-Way reversing valve control

## FEATURES - OUTDOOR UNITS

### **CONTROLS (continued)**

#### **Electronic Expansion Valve**

- Furnished on all models

#### **Compressor Overcurrent Protection**

- Overcurrent protection can result due to any of the following:
  - Ambient temperature is too high
  - Locked rotor on the compressor
  - Outdoor air is blocked or restricted

#### **Condenser High Temperature Protection**

- Condenser high temperature can occur due to any of the following conditions:
  - High outdoor ambient
  - Outdoor fan blocked
  - Outdoor coil blocked
- The outdoor coil thermistor continuously monitors the temperature and communicates with the microprocessor
- Depending on the temperature measured, the compressor will be allowed to increase the frequency if needed to meet the load or is forced to run at the current or reduced frequency
- If the temperature becomes excessively high the compressor will be de-energized

#### **Compressor Discharge Temperature Protection**

- The compressor discharge line thermistor continuously monitors the temperature and communicates with the microprocessor
- Depending on the temperature measured, the compressor will be allowed to increase the frequency to meet the load or is forced to run at the current or reduced frequency
- If the temperature becomes excessively high, the compressor will be de-energized

#### **Voltage Protection**

- Protects unit from low or high voltage fluctuations

#### **Terminal Strip**

- Furnished for easy wiring connections

#### **Automatic Piping/Wiring Correction**

- Automatically checks piping/wiring connections
- A "Check Switch" on outdoor unit control reviews zone wiring and piping connections and displays "CE" if all connections are correct
- If a unit(s) is not connected to the correct zone the control will automatically remap the wiring to the correct zone based on indoor unit size

#### **Defrost Control**

- Defrost cycle is automatically enabled if there is a build-up of frost on the outdoor coil
- Outdoor fan operation is terminated during the defrost cycle
- Indoor fan changes to ultra low speed during the defrost cycle to help bring warm refrigerant back to the outdoor coil to assist during defrost operation
- Defrost LED is lit on the indoor unit panel on the front cover during a defrost cycle

#### **Reversing Valve**

- 4-way interchange reversing valve effects a rapid change in direction of refrigerant flow resulting in quick changeover from cooling to heating and vice versa
- Valve operates on pressure differential between outdoor unit and indoor unit of the system

### **CABINET**

- Constructed of heavy gauge steel
- Tabs on unit base allow secure mounting to slab
- Condensate drain outlets furnished on unit base

**NOTE** - Drain must be field furnished.

- Pan heater prevents ice build-up in the bottom of the unit during heating operation
- Access cover for power and control wiring connections
- Access cover for service valves

## FEATURES - INDOOR UNITS

### WALL-MOUNTED INDOOR UNITS



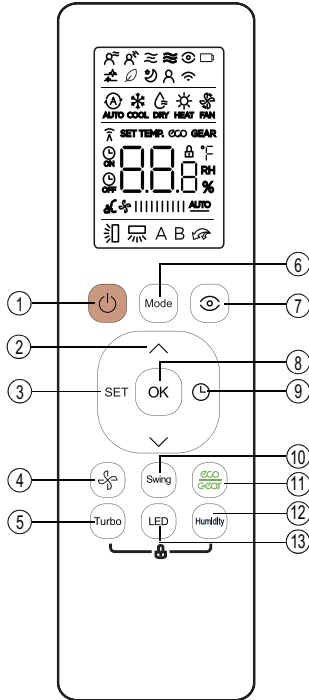
- Low-sound, three-speed Wall Mount with LED display offers three access points for refrigerant outlet pipes: left, right or rear
- The front panel can be raised for accessible wiring and maintenance
- Swing louver angles to 90°
- Unit installs horizontally on a vertical wall
- **Pre-Heat Function** - Delays the operation of the fan until the indoor coil has reached a pre-determined temperature which prevents the discharge of cold air while the system is operating in the "heating" mode
- **LED Readout** - Mounted on unit. LED displays unit operation status, and codes for maintenance and servicing
- **Auto Restart** - Automatically restores the previous function setting if power is interrupted
- **Cooling Override** - Button on the indoor unit allows a temporary 30 minute override of the system for forced "AUTO" or "COOLING" operation
- **Flare Connections** - Equipped with liquid and gas flare fittings for quick and secure piping
- **Multi-Refrigerant Outlet** - Allows left, right, or rear access for refrigeration line connection
- **Three Speed Fan** - Fan functions at three speeds: low, medium and high
- **Air Filter** - Cleanable air filter is furnished as standard
- **Wireless Remote Controller** - Furnished as standard, see Page 6

## REMOTE CONTROLLER - FURNISHED

### WIRELESS REMOTE CONTROLLER (RG10L-WM)

#### (FURNISHED WITH WALL-MOUNT INDOOR UNITS)

- Complete remote control of system
- Maximum operating range is 25 ft.
- Operates on two AAA 1.5V batteries (furnished)
- Wireless remote controller holder furnished
- Holder can be mounted on a wall for easy access
- Mounting screws furnished



#### 1 ON/OFF Button

- Turns system on and off

#### 2 UP/DOWN Buttons ^ v





- Increase or decrease the indoor temperature in one degree increments (maximum 86°F, minimum 60°F)

**NOTE** - Temperature cannot be adjusted in FAN mode.

**NOTE** - Press and hold and buttons together for 3 seconds to alternate the temperature display between the °C and °F scale.

#### 3 SET Button

- Scrolls through unit operations in this order:

1. Breeze Away 
2. Active Clean 
3. Sleep 
4. Follow Me 

**NOTE** - The selected symbol will flash on the display area. Press the OK button to confirm.

#### 4 FAN Button

- Cycles fan speeds in the following order:
  - AUTO → 20% → 40% → 60% → 80% → 100%

#### 5 TURBO Button

- Enables the unit to reach the preset temperature during cooling or heating operation in the shortest time

#### 6 MODE Button

- Select system operation modes
- Press button to cycle through each setting:
  - AUTO → COOL → DRY → HEAT → FAN

#### 7 ECO INTELLIGENT EYE Button

- Detects motion in the room to reduce cooling mode when no activity is detected for 30 minutes

#### 8 OK Button

- Confirms selected function

#### 9 TIMER Button

- Initiates an auto-on or auto-off time sequence
- Press TIMER button to initiate the ON time sequence
- Press Temp. up or down button for multiple times to set the desired time to turn on the unit
- Press TIMER button to initiate the OFF time sequence.

**NOTE** - Each press of the button increases or decreases the time (depending on function) in 30 minute increments up to 10 hours.

Above 10 hours each press of the button will increase or decrease the auto-timed setting by 60 minutes up to 24 hours.

To cancel, set timer to 0.0 or turn remote off and on.

#### 10 SWING Button

- Used to stop or start louver auto swing feature

#### 11 ECO/GEAR Button

- Controls temperature/energy efficiency of the unit

**NOTE** - Only available in cooling mode.

##### ECO Operation

- Sets unit to 75°F unit operation if setpoint is lower
- Sets fan to Auto operation if setpoint is over 75°F

**NOTE** - If setpoint is manually changed to less than 75°F, ECO operation is canceled.

##### GEAR Operation

- Reduces electrical consumption to 75% or 50%

#### 12 HUMIDITY Button

- Adjusts the room humidity during DRY mode from 35% to 85%
- Each press of the button increases the humidity in 5% increments

#### 13 LED Button












- Turns the LCD display backlight on the indoor unit on or off

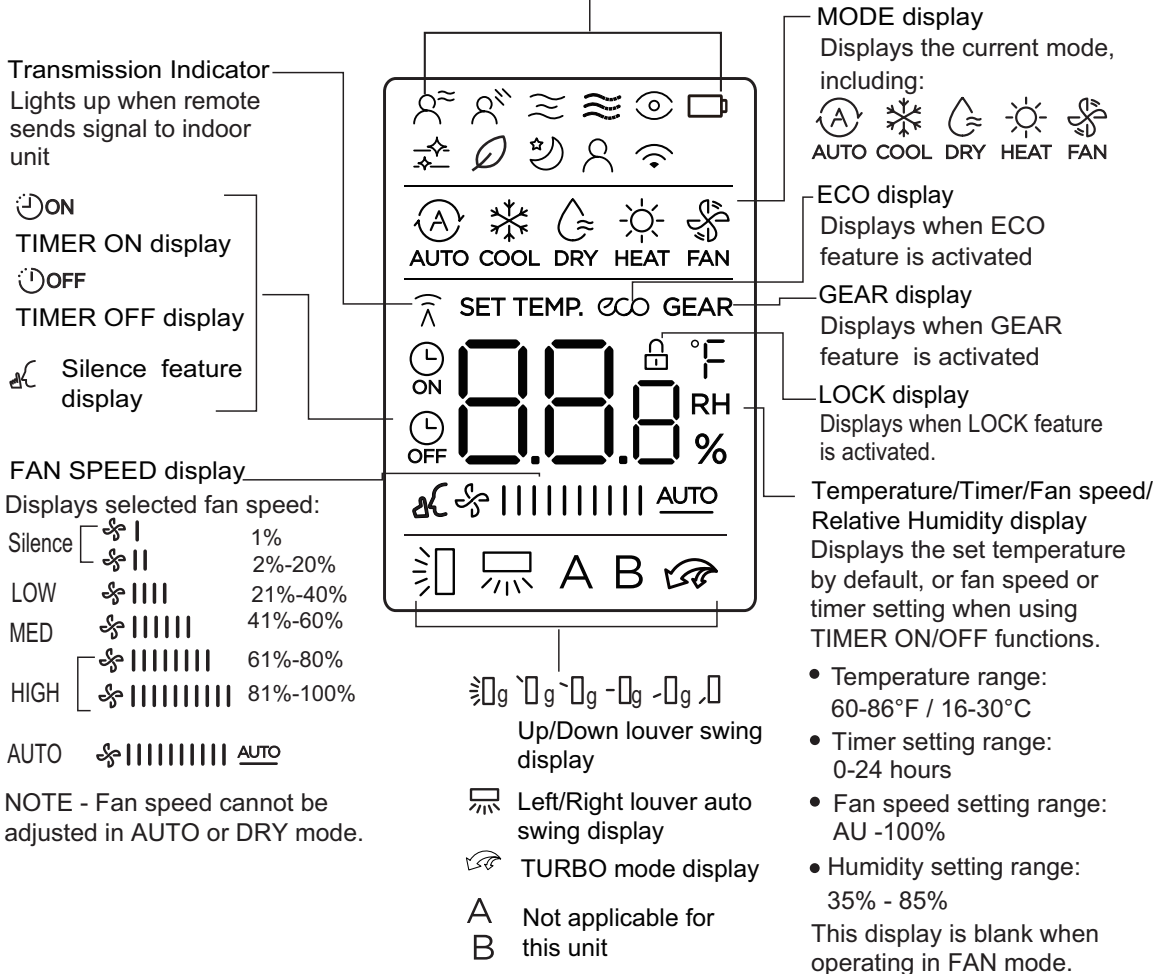
**NOTE** - Press and hold the button for 5 seconds to display the actual room temperature. Press more than 5 seconds to revert back to display set temperature.

# REMOTE CONTROLLER - FURNISHED

## WIRELESS REMOTE CONTROLLER INDICATORS (RG10L-WM)

Information is displayed when the Wireless Remote Controller is powered on.

- |  |   |
|--|---|
|  Not applicable for this unit                       |  <b>Active Clean</b> feature display |
|  <b>Breeze Away</b> feature display                 |  Not applicable for this unit        |
|  Not applicable for this unit                       |  <b>Sleep</b> feature display        |
|  Not applicable for this unit                       |  <b>Follow Me</b> feature display    |
|  <b>ECO Intelligent Eye</b> display (certain units) |  Not applicable for this unit        |
|  |  Low battery detection (flashing)    |



**Note:**  
All icons are shown for display purposes only.  
During actual unit operation, only active icons are displayed.

## REMOTE CONTROLLER - FURNISHED

### WIRELESS REMOTE CONTROLLER OPERATION (RG10L-WM)

#### Auto Operation

1. Press the **MODE** button to select Auto.
2. Press the **UP/DOWN** button to set the desired temperature.
3. Press the **ON/OFF** button to start the system.

#### Cooling /Heating/Fan Operation

1. Press the **MODE** button to select **COOL, HEAT** or **FAN** mode.
2. Press the **UP/DOWN** buttons to set the desired temperature.
3. Press the **FAN** button to select the fan speed.
4. Press the **ON/OFF** button to start the system.

#### Dehumidifying (DRY) Operation

1. Press the **MODE** button to select **DRY** mode.
2. Press the **UP/DOWN** buttons to set the desired temperature.
3. Press the **ON/OFF** button to start the system.

**NOTE** - Fan speed selection is disabled.

#### Timer ON/OFF Operation

1. Press the **TIMER** button. The remote controller shows **TIMER ON** or **TIMER OFF** icon
2. Press the **TIMER** button again to set desired time. Each time the button is pressed the time increases by 30 minutes between 0 and 10 hours and then by 60 minutes between 10 and 24 hours.
3. After setting the **TIMER ON** or **TIMER OFF** there will be a one second delay before the remote controller transmits the signal to the unit. After approximately 2 seconds the set temperature will re-appear on the LCD display window.

#### Silence Operation

1. Press the **FAN** button for more than 2 seconds to activate or disable the Silence function

#### Lock Function

1. Press the **TURBO** and **HUMIDITY** buttons together two times in less than one second to lock the Controller to prevent tampering
2. Press the **TURBO** and **HUMIDITY** together buttons again for two seconds to unlock the Controller

#### Swing Function

1. Press the Swing button to activate up/down louver operation. Louvers oscillate up and down automatically. Press and hold the Swing button again to disable.

**NOTE** - Pressing the Swing button multiple times will set the louvers at five different fixed airflow angles.

2. Press and hold Swing button for 2 seconds to activate left/right louver operation. Louvers swing left and right automatically.

### SET BUTTON FUNCTIONS

#### Breeze Away

- Prevents unit from blowing air directly on a person

**NOTE** - Only available in **COOL, FAN** or **DRY** modes.

#### Active Clean

- Washes away dust, mold, and grease that may cause odors when it adheres to the indoor coil by automatically freezing and then rapidly thawing the coil
- Indoor unit displays "CL"
- After 20 to 45 minutes the unit will automatically turn cancel the operation

**NOTE** - Only available in **COOL** or **DRY** modes.

#### Sleep

- Enables the system to automatically increase cooling or decrease heating (in 2°F increments) per hour for the first 2 hours, then maintain a steady temperature for 5 hours
- System keeps the final operation mode after 8 total hours of operation

**NOTE** - To cancel, push the "MODE", "FAN SPEED" or "ON/OFF" buttons.

SLEEP mode is only available when the unit is in **COOL, HEAT** or **AUTO** mode

#### Follow Me

- Allows remote temperature sensing of the room at the remote controller location



## REMOTE CONTROLLER - FURNISHED

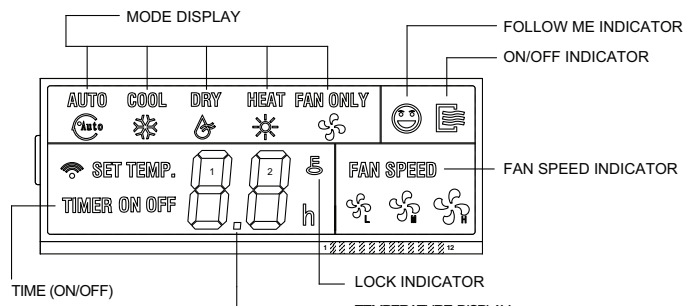
### WIRED REMOTE CONTROL

#### M0STAT61Q-1

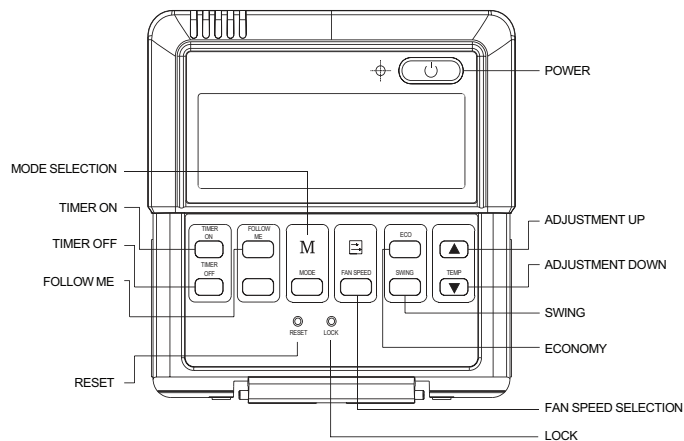
- Permanent Memory - Maintains clock, fan speed and mode of operation settings following power outages
- Dimensions (H x W x D) - 4-3/4 x 4-3/4 x 7/8 in.
- Additional hardware is furnished for installation
- Wiring - Controller uses 5-wire shielded 20 ft. (6 m) cable (furnished) for easy low voltage connection to the indoor unit
- Maximum cable length is 40 ft. (12 m)



### DISPLAY

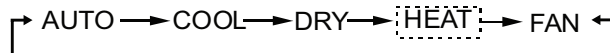


### BUTTONS AND FUNCTIONS



#### MODE Button

- Select system operation modes. Push button to cycle through each setting

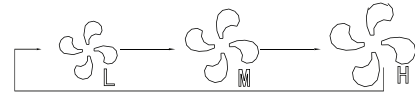


#### POWER Button

- Turns system on and off

#### FAN SPEED Button

- Selects fan speed. Each button press cycles through the following settings on display



**NOTE** - Not available in **AUTO** mode.

#### TIMER ON / TIMER OFF Buttons

- **TIMER ON** (initiates an auto-on time sequence)
- **TIMER OFF** (initiates an auto-off time sequence) can be used separately or together
- Each press of the button increases the time in 30 minute increments up to 10 hours
- Above 10 hours each press of the button will increase the auto-timed setting by 60 minutes up to 24 hours

**NOTE** - To cancel, set timer to 0.0.

#### UP/DOWN Buttons ▲ ▼

- Increase or decrease the indoor temperature in two degree increments (maximum 88°F, minimum 62°F).

**NOTE** - Temperature cannot be adjusted in **FAN** mode.

**NOTE** - Press and hold and buttons together for 3 seconds to alternate the temperature display between the °C and °F scale.

#### SWING Button

- Used to stop or start horizontal louver auto swing feature

#### ECONOMY Button

- Maintains the most comfortable temperature and saves energy

#### RESET Button (Recessed)

- Resets Controller to factory settings. Recessed to prevent tampering

#### LOCK Button (Recessed)

- Locks Controller buttons to prevent tampering with settings

### OPTIONAL ACCESSORIES

#### Extension Cable for Wired Remote Controller

- 20 ft. cable for easy low voltage connection to the indoor unit
- Extends cable to maximum 40 ft. length

## OPTIONAL ACCESSORIES - ORDER SEPARATELY

### WIRED PROGRAMMABLE CONTROLLER

M0STAT64Q-2



- Wired programmable local controller for mini-split indoor units with convenient timed schedules for daily operation
- Up to 8 events per day
- Schedule start time, mode, setpoint, and fan speed
- Compatible with all indoor units
- Copy/paste function for easy duplication of events to other days
- Built-in system diagnostics
- Large, back-lit, easy-to-read LCD screen with digital display

### BUTTONS AND FUNCTIONS

#### POWER Button

- Turn system on and off

#### FAN SPEED Button

- Scroll through fan speeds (Auto - Low - Med - High)

#### MODE Button

- Use + and - buttons to scroll through available operation modes (Auto / Cool / Dry / Fan / Heat)

#### PLUS (+) and MINUS (-) Buttons

- Setpoint adjustment (62-86°F)
- Select days of the week when setting a schedule
- Select mode of operation

#### SWING Button

- Stop or start horizontal (up/down) louver auto swing
- Controls swing oscillation and louver angle in 6° increments

#### TIMER Button

- Sets current time of day (24 hour clock)
- Setup weekly schedules or to setup timed operation for the indoor unit
- Stop/Stop timed operation

#### DAY OFF / DEL Button

- Disable specific days/schedules of the week
- Delete a specific event

#### CONFIRM Button

- Confirms each step when managing schedules

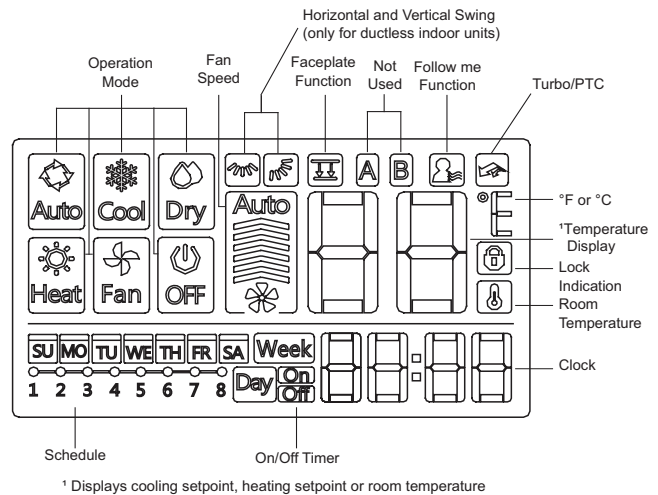
#### BACK/TURBO Button

- Turbo sets indoor unit fan speed to high for a factory-set time period

#### COPY/FOLLOW ME Button

- Toggles between room temperature sensing from the indoor unit or the controller

### DISPLAY



- Audible tone when a button is pressed (can be disabled)
- Lock function disables buttons to prevent tampering
- Controller uses 4-wire shielded 20 ft. (6 m) cable (furnished) for easy low voltage connection to the indoor unit
- Adaptor cables are furnished for various indoor unit connections

**NOTE** - Cable for longer lengths must be ordered separately.

**NOTE** - Maximum cable length is 164 ft. (50 m).

- Hardware for mounting furnished
- Mounts to standard electrical junction box (not furnished)
- Lithium battery furnished
- Power Supply: 5 VDC
- Dimensions (H x W x D): 4-7/8 x 4-3/4 x 3/4 in. (124 x 121 x 19 mm)

### OPTIONAL ACCESSORIES

#### Extension Cable for Wired Programmable Controller

- 20 ft. cable for easy low voltage connection to the indoor unit
- Extends cable to 40 ft. (12 m) length

## OPTIONAL ACCESSORIES - ORDER SEPARATELY

### OUTDOOR UNITS

#### Condenser Pad

- Provides permanent foundation for outdoor units
- One-piece lightweight structural foam and molded from high-density polyethylene (HDPE)
- Lightweight, easy to carry and install
- Textured finish provides a non-skid surface so outdoor unit sits securely in one place
- UV stable

#### Disconnects

- Positive unit disconnect
- Single door enclosure
- Fused and non-fused models available

#### Fuses

- 30 and 60 amp fuses available

#### Indoor/Outdoor Wiring Cable

- 14-gauge, 4-conductor wire
- THHN (Thermoplastic High Heat-resistant Nylon-coated) wire
- Suitable for wet or dry locations
- Rated up to 600V

#### Refrigerant Line Sets

- Refrigerant lines are shipped refrigeration clean
- Lines are cleaned, dried, pressurized and sealed at factory

#### Wall Brackets

- Heavy duty 1/8 in. thick steel brackets for supporting outdoor units
- Mount at any height to allow for easy maintenance under units
- Pre-punched holes for easy installation
- Powder coated gray finish
- Load rating 600 lbs. per pair

#### Whips

- Heavy duty electrical whips are available in 8 and 10 gauge sizes
- 6 ft. lengths
- Weatherproof metal conduit

### INDOOR UNITS

#### Condensate Pumps

- Quietly and efficiently removes condensate
- See Optional Accessories Table for available pumps

#### A/C Easy Tee® Condensate Cleanout

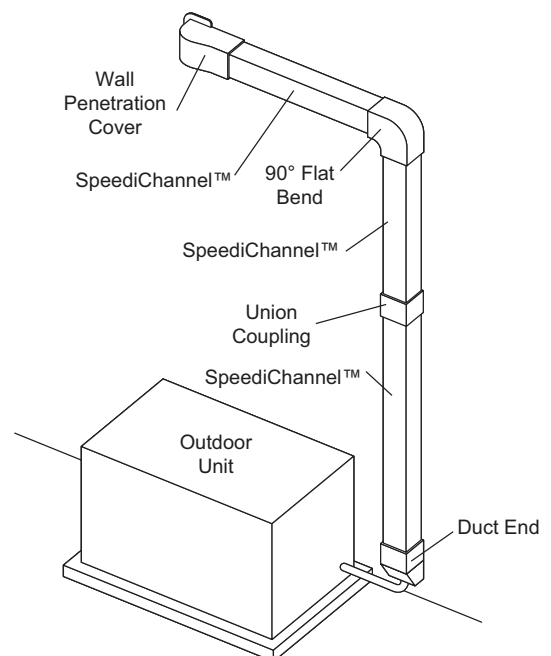
- Condensate drain service port
- Flexible and easy to use with nitrogen, water or shop vac
- Screw cap on top allows easy access to condensate drain line

### SPEEDICHANNEL™ SYSTEM



- SpeediChannel™ is a channel system covers system line sets
- Two-part system has a base and a cover
- Base is fastened to a wall or ceiling with plastic clips (SpeediClip™) that snap into a channel already molded into the base
- Cover fits on top of the base
- Manufactured from rigid PVC, which is UL rated and resistant to UV light
- System is a natural color that closely matches typical mini-split outdoor units
- Can be painted as desired to match any wall color

#### Typical Application



## OPTIONAL ACCESSORIES - ORDER SEPARATELY

### **SPEEDICHANNEL™ SYSTEM (continued)**

#### **SpeediChannel™ Starter Kit**

- The starter kit includes (1) Coupling, (1) Wall Penetration, (1) Inside Elbow, (1) Long Radius Flat Bend, (10) Speediclips™, (10) 11 in. Cable Ties, and (1) SpeediChannel Instruction Booklet

#### **Duct End**

- Duct Ends are used to terminate a run of SpeediChannel™ to a small opening just large enough for the line set and condensate drain line to pass through



#### **Flat Wall Escutcheon**

- Flat Wall Escutcheons are used to cover a rough opening in a soffit, wall, or ceiling penetration



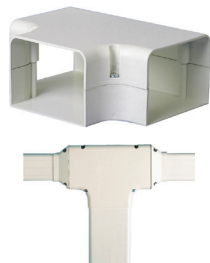
- One side of the escutcheon is flat to allow for a SpeediChannel™ to run along a wall and to penetrate through an adjacent wall or ceiling
- This is the most common type of wall penetration
- Furnished in two parts, the escutcheon easily snaps onto the SpeediChannel™

#### **Flex Joint**

- A Flex Joint is an accordion-style piece of SpeediChannel™
- The flex joint can be extremely flexible when routing a SpeediChannel™ system around an obstacle
- Each joint is 20 in. long and can be combined together for longer flex runs
- The flex joint does not require the use of a union coupling
- The flex joint slides tightly inside the SpeediChannel™ system

#### **T-Joint**

- T-Joints are used for creating a tee connection between three pieces of SpeediChannel™
- Each tee is individually packed and furnished with stainless steel screws



#### **Union Coupling**

- Union Couplings are used for joining two pieces of SpeediChannel™
- Each coupling is individually packed and furnished with stainless steel screws



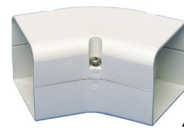
#### **Wall Penetration Cover**

- Wall penetration covers are used to transition from the SpeediChannel™ system to a through wall penetration
- Wall covers are designed to allow for easy installation, even after the line set has been installed
- A hooking and fastening arrangement allows for quick installation
- Each wall cover is individually packed, and furnished with stainless steel screws to attach the wall cover to the base
- Three screws are necessary to fasten the wall cover to the wall construction, regardless of the type of installed system



#### **45° and 90° Flat Bend Elbows**

- 45° Flat Bends are used to route the SpeediChannel™ around obstacles
- Each bend is individually packed and furnished with stainless steel screws



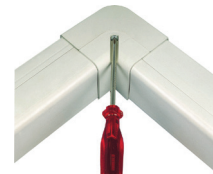
45°



90°

#### **90° Inside Elbow**

- 90° Inside Elbows are used to route the SpeediChannel™ around an inside corner
- Each elbow is individually packed and furnished with stainless steel screws



#### **Mount Block White Qty. (2) 14 in. and (2) 36 in.**

- Mount Blocks are used as mounting bases when outdoor units must be bolted down
- End caps (for aesthetics) come furnished with mounting bolts
- Maximum load capacity is 900 pounds per mounting block
- Installation temperatures range from -4°F to 140°F
- Mount blocks fit all mini-split outdoor units with a sliding rail feature



## SPECIFICATIONS

## 3PC OUTDOOR UNIT



Outdoor Unit Model No.		3PC036S4S
Nominal Tons		3
<b>Ambient Temperature Operating Range - °F</b>	Cooling	5 - 122
	Heating	5 - 86
<b>Energy Star</b>		Yes
<b>Sound Data (dBA)</b>	Cooling/Heating	61.5
<b>Refrigerant (R-410A)</b>	Charge furnished	7 lbs. 5 oz.
	Maximum line length with furnished charge - ft.	30
	Additional charge required per ft. - oz.	0.32
<b>Compressor</b>	No. and Type	(1) Rotary
	Refrigerant oil type	VG74
	Refrigerant oil charge - oz.	22.7
<b>Connections - in.</b>	Liquid/Gas pipe (flare)	3/8 / 5/8
	Maximum refrigerant pipe length - ft.	213
	Max. difference in level of indoor unit - ft.	98
<b>Outdoor Fan(s)</b>	(No.) Diameter - in.	(1) 22
	Total air volume - cfm	2235
	rpm	1150
<b>Outdoor Coil</b>	Number of rows	3
	Fins per inch	18
	Fin type	Hydrophilic aluminum
	Tube outside diameter - in.	5/16
	Tube type	Rifled copper tubing
	Net face area - ft. <sup>2</sup>	8.14
Application area - sq. ft.		515 - 750
<b>Design Pressure</b>	PSIG	550 / 340
<b>Shipping Data</b>	Net/Shipping weight (lbs.)	150 / 159
<b>ELECTRICAL DATA</b>		
<b>Electrical Characteristics - 60 Hz - 1 Phase</b>		208/230V
<sup>1</sup> Maximum Overcurrent Protection (amps)		35
<sup>2</sup> Minimum circuit ampacity		28
<b>Outdoor Fan Motor</b>	Rated load amps	0.5
	Output - W	120

NOTE - Extremes of operating range are plus and minus 10% of line voltage.

<sup>1</sup> HACR type circuit breaker or fuse.

<sup>2</sup> Refer to National or Canadian Electrical Code manual to determine wire, fuse and disconnect size requirements.

## SPECIFICATIONS

## 3WMC WALL-MOUNTED INDOOR UNIT



Indoor Unit Model No.		3WMC036S4
Nominal Tons		3
Power Supply - 60 hz - 1 phase		208/230V
Rated load amps		0.55
Output (W)		58
Room Temperature Range (°F)	Cooling	60 - 90
	Heating	32 - 86
Air Volume - cfm (High/Medium/Low)		639 / 506 / 382
Sound Data (dBA) - Low/Medium/High		47.5 / 42 / 35.5
Piping Connections - Liquid/Gas - o.d. - flare - in.		3/8 / 5/8
Drain connection o.d. - in.		1
<b>Shipping Data</b>	Net/Shipping weights - lbs.	44 / 55

## AHRI SYSTEM MATCH

Indoor Unit Type	Outdoor Unit	Indoor Unit	Cooling Capacity	SEER	EER	Heat Capacity		HSPF (IV)	AHRI Reference
						High	Low		
Wall-Mounted Non-Ducted	3PC036S4S-1P	3WMC036S4-1P	36,000	17.5	8.5	36,000	22,400	9.0	207683502

Ratings are AHRI certified to AHRI Standard 210/240-2017;

- Cooling Ratings - 95°F wet bulb/75°F dry bulb outdoor air temperature and 80°F dry bulb/67°F wet bulb entering indoor coil air.
- High Temperature Heating Ratings - 47°F dry bulb/43°F wet bulb outdoor air temperature and 70°F dry bulb/60°F wet bulb entering indoor coil air.
- Low Temperature Heating Ratings - 17°F dry bulb/15°F wet bulb outdoor air temperature and 70°F dry bulb/60°F wet bulb entering indoor coil air.

To convert HSPF from Region IV to Region V - Divide by 1.15.

## OPTIONAL ACCESSORIES - ORDER SEPARATELY

Description	Catalog No.	Size
		36
<b>OUTDOOR UNIT</b>		
Condenser Pad (18 x 38 x 3)	<b>Y5014</b>	•
Disconnects	30 amp, fused, 1 ph	<b>27P37</b>
	60 amp, non-fused, 1 ph	<b>27P39</b>
Fuses	30A	<b>83P75</b>
	60A	<b>83P77</b>
Line Sets	3/8 in. x 5/8 in. x 25 ft.	<b>X8406</b>
	3/8 in. x 5/8 in. x 50 ft.	<b>X8407</b>
Wall Brackets	36 inch	<b>X1728</b>
Whips	10 Gauge - 1/2 in. x 6 ft.	<b>29P54</b>
	8 Gauge - 3/4 in. x 6 ft.	<b>27P44</b>
<b>INDOOR UNIT</b>		
<sup>1</sup> Diversitech Condensate Pumps with Reservoir	ClearVue Mini™ - 7.9 US gallons per hour, 35 ft. lift - 120/240V	<b>Y5170</b>
	Mini-Split Pump - 4 US gallons per hour, 20 ft. lift - 230V	<b>Y7949</b>
Blue Diamond® Condensate Pumps with Reservoir	MaxiBlue® - 3.7 US gallons per hour, 16.5 ft. lift - 208-230V	<b>14T69</b>
	MultiTank Kit	<b>14T75</b>
A/C Easy Tee® Condensate Cleanout		<b>Y7947</b>
<b>CONTROLS</b>		
Wired Remote Controller	M0STAT61Q-1	<b>14A66</b>
Extension Cable for Wired Remote Controller - 20 ft.		<b>Y8008</b>
NOTE - As an option, the Wired Remote Controller can be ordered for the wall-mount unit if desired.		
Wired Programmable Controller	M0STAT64Q-2	<b>22U20</b>
Extension Cable for Wired Programmable Controller - 20 ft.	M0CTRL64Q-1	<b>Y8738</b>
Indoor/Outdoor Wiring Cable - 14 Gauge, 4 conductor wire, THHN, 250 ft.		<b>Y2067</b>
<b>SPEEDICHANNEL™ SYSTEM</b>		
SpeediChannel™ Starter Kit - 4 in.		<b>Y3387</b>
SpeediChannel - 4 in. x 6-1/2 ft. (qty. 6)		<b>Y3388</b>
Union Coupling - 4 in.		<b>Y3389</b>
90° Flat Bend Elbow - 4 in.		<b>Y3390</b>
90° Inside Elbow - 4 in.		<b>Y3391</b>
45° Flat Bend Elbow - 4 in.		<b>Y3392</b>
Flex Joint - 4 in.		<b>Y3393</b>
T-Joint - 4 in.		<b>Y3394</b>
Duct End - 4 in.		<b>Y3395</b>
Flat Wall Escutcheon - 4 in.		<b>Y3396</b>
Wall Penetration Cover - 4 in.		<b>Y3399</b>
Mount Block (White) Qty, 2 - 14 in.		<b>Y3397</b>
Mount Block (White) Qty, 2 - 36 in.		<b>Y3398</b>

<sup>1</sup> Y7949 condensate pump can be installed inside the indoor unit. All other pumps must be installed external to the indoor unit.

## COOLING CAPACITY

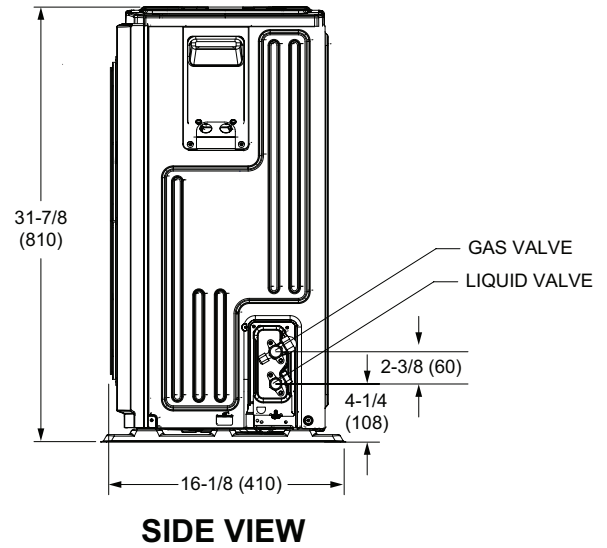
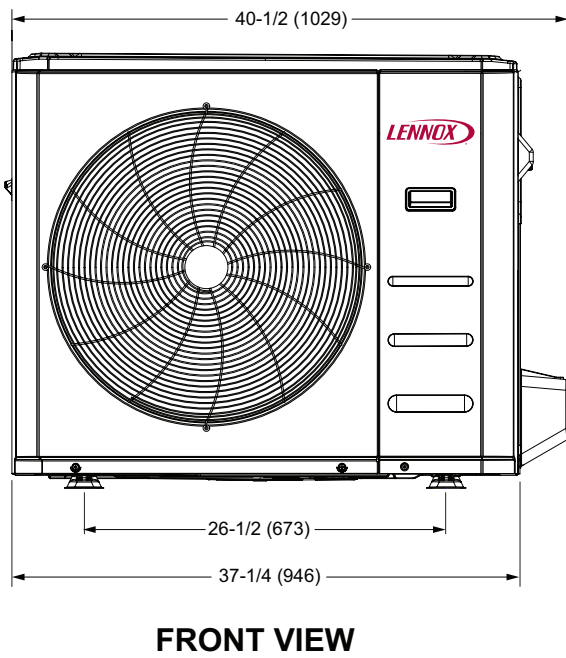
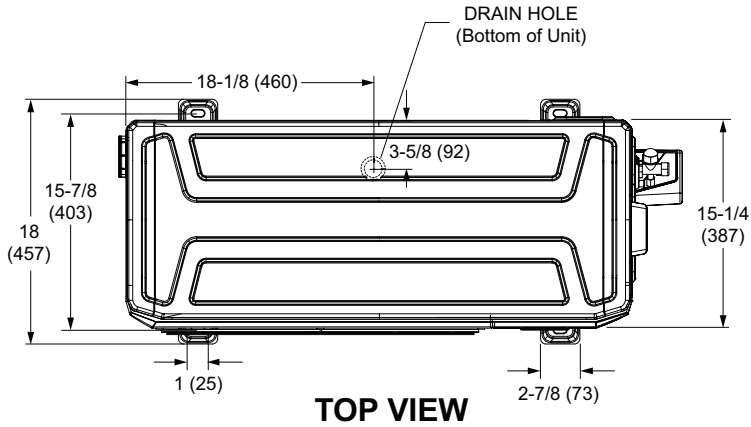
036

Outdoor Temperature - °F (Dry Bulb)	Indoor Temperature - °F (Dry Bulb / Wet Bulb)							
	65°F / 54°F		70°F / 59°F		75°F / 63°F		80°F / 67°F	
	Total mBtuh	Sensible mBtuh	Total mBtuh	Sensible mBtuh	Total mBtuh	Sensible mBtuh	Total mBtuh	Sensible mBtuh
-22	29.82	18.53	31.26	19.31	33.11	20.36	35.22	21.52
-13	31.05	19.68	32.82	20.69	34.73	21.76	36.37	22.66
-4	31.67	20.72	33.13	21.53	34.58	22.37	36.79	23.66
0	31.61	21.76	33.63	23.04	35.03	23.86	36.91	24.99
5	30.88	21.79	32.75	23.00	34.84	24.33	37.02	25.73
17	32.00	22.24	33.37	23.07	35.23	24.23	37.32	25.53
25	32.68	23.61	34.26	24.64	35.91	25.70	37.68	26.79
35	32.32	23.91	34.35	25.28	36.50	26.73	38.06	27.71
47	33.32	25.23	34.93	26.33	37.16	27.87	38.75	28.91
55	33.81	25.48	35.85	26.90	37.74	28.18	39.56	29.39
65	35.40	26.64	37.07	27.74	38.69	28.83	40.43	29.96
75	35.82	28.10	37.58	29.32	39.19	30.40	41.25	31.85
85	34.80	28.04	36.59	29.30	38.47	30.64	40.58	32.14
95	32.83	26.57	34.63	27.86	36.60	29.26	38.86	30.89
105	31.34	26.85	33.13	28.25	34.77	29.50	36.99	31.18
115	29.14	27.32	30.61	28.57	32.12	29.84	33.81	31.24
122	27.45	27.35	28.71	28.50	30.22	29.89	31.98	31.50

## HEATING CAPACITY

036

Outdoor Temperature - °F (Dry Bulb)	Indoor Temperature - °F (Dry Bulb)			
	60°F	65°F	70°F	75°F
	Total mBtuh	Total mBtuh	Total mBtuh	Total mBtuh
-22	14.77	14.37	13.94	13.34
-13	16.09	15.63	15.24	14.67
-4	17.64	17.21	16.66	15.97
0	19.81	19.24	18.73	17.94
5	21.65	21.04	20.43	19.69
17	22.67	22.01	21.48	20.51
20	24.17	23.53	22.87	22.05
25	25.86	24.99	24.26	23.41
32	27.07	26.36	25.59	24.54
35	28.44	27.75	26.89	25.68
40	34.58	33.47	32.40	30.98
47	39.30	38.16	37.01	35.35
50	39.67	38.63	37.61	36.26
57	40.52	39.15	38.12	36.79

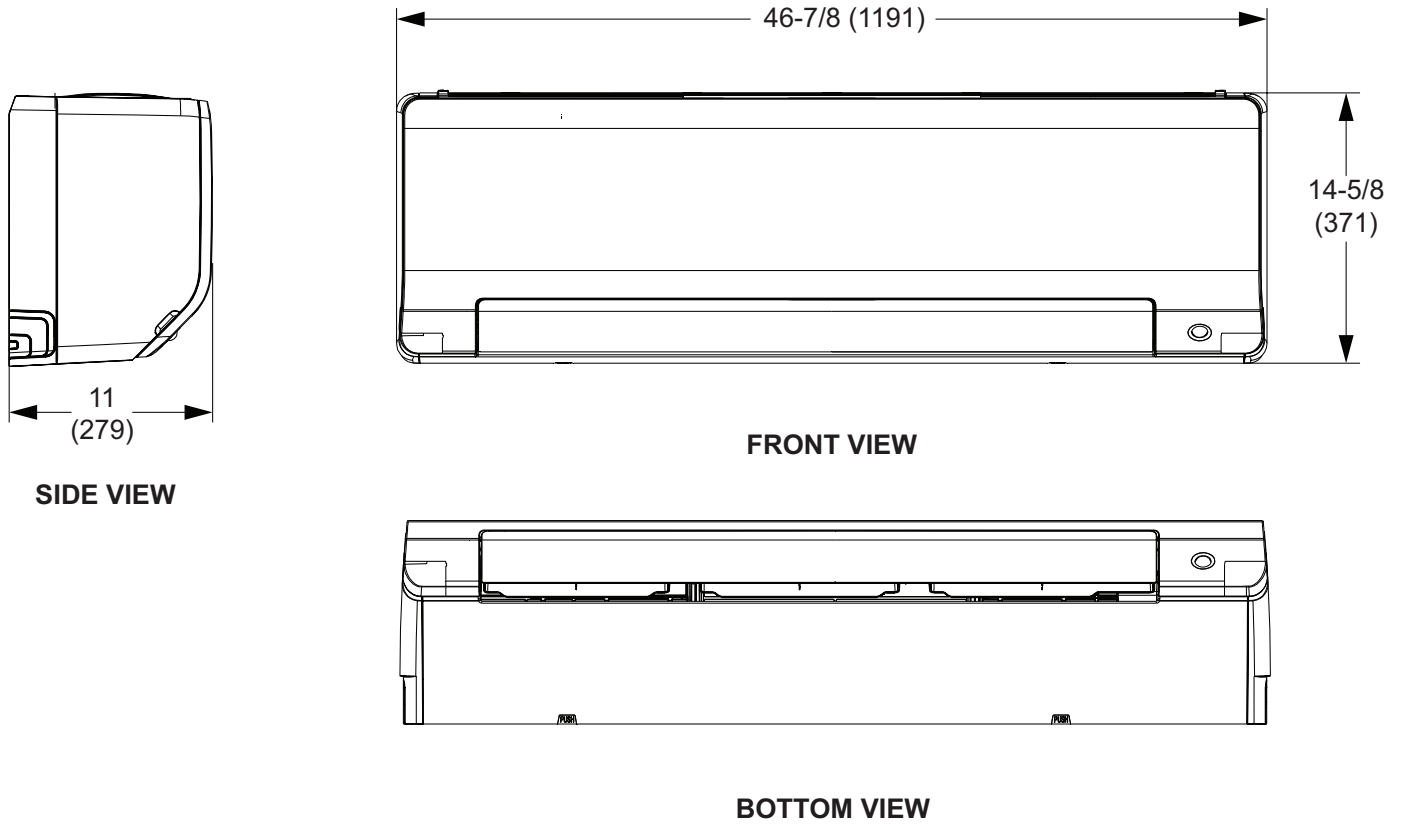




**DIMENSIONS**

**WALL-MOUNTED INDOOR UNIT**

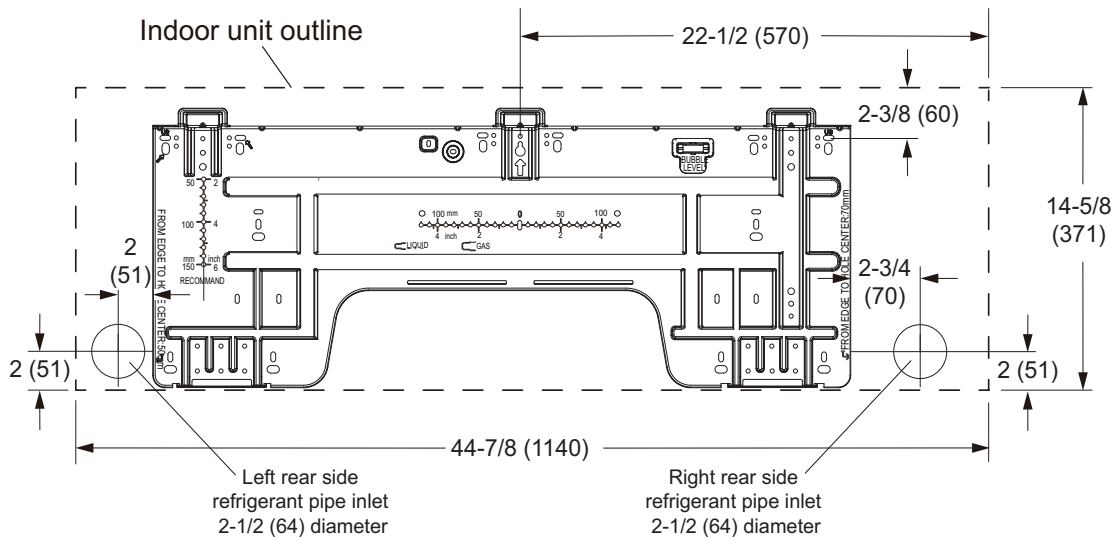
**3MWC036S4**

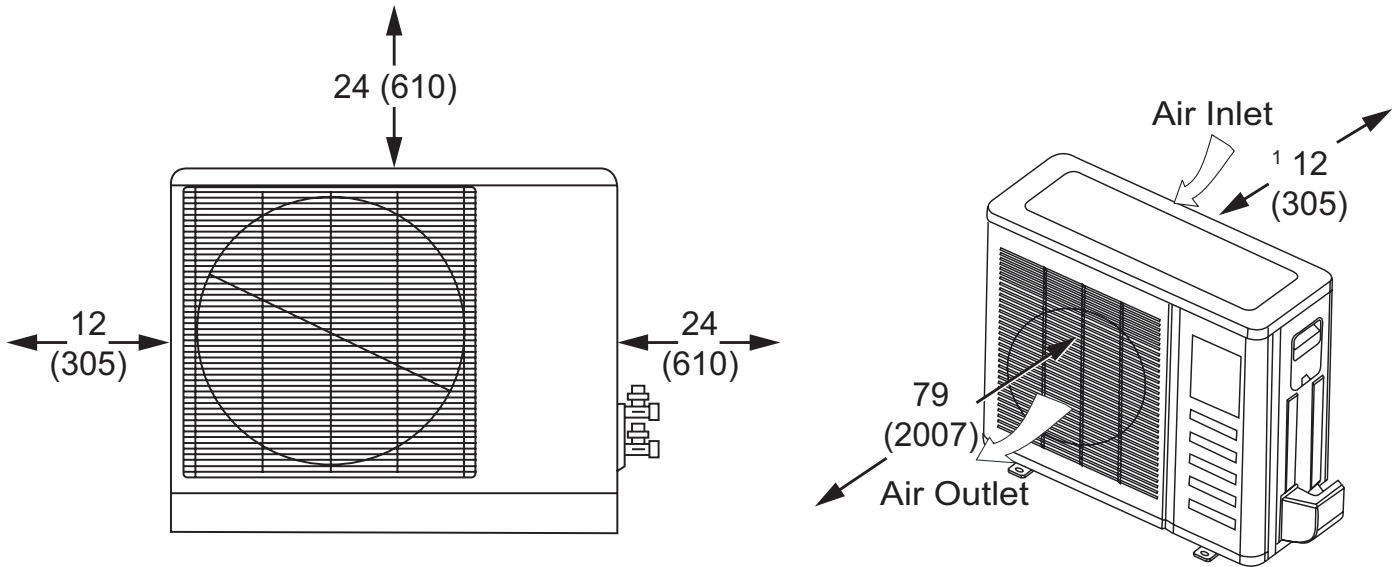


**DIMENSIONS**

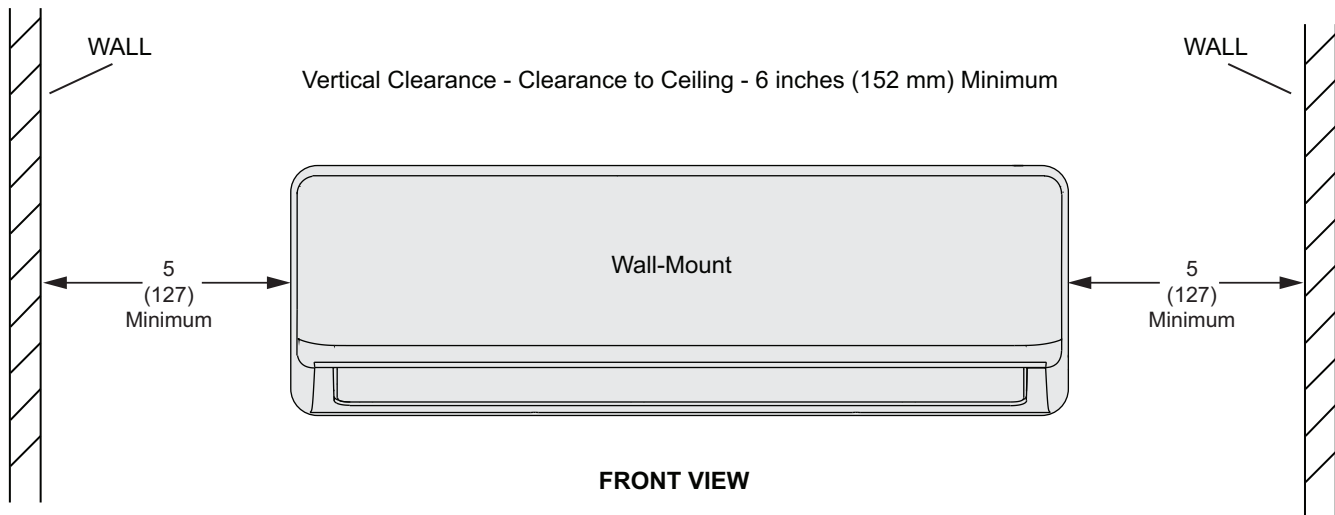
**WALL-MOUNTED INDOOR UNIT - WALL PLATE**

**3MWC036S4**





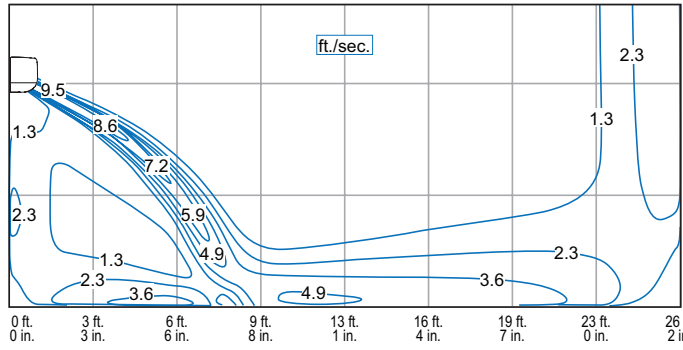
<sup>1</sup> Minimum rear clearance can be 6 inches (152 mm) when mounted on brackets and with no obstructions on the other three sides.



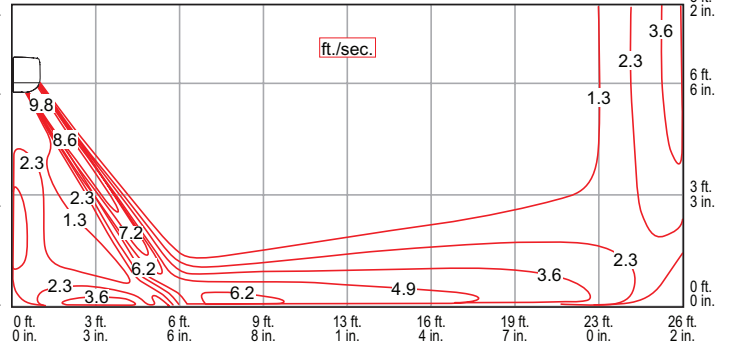
Vertical Clearance - Clearance to Floor - 72 inches (1829 mm) Minimum  
 NOTE - Provide 96 inches (2438) clearance to floor for best performance

# AIR THROW DATA - WALL-MOUNTED INDOOR UNITS

3MWMC036S4-1P - COOLING

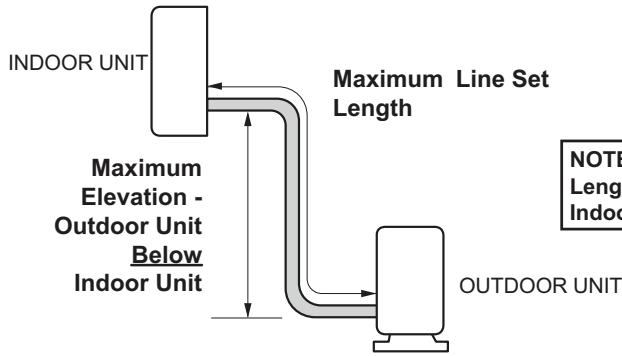


3MWMC036S4-1P - HEATING

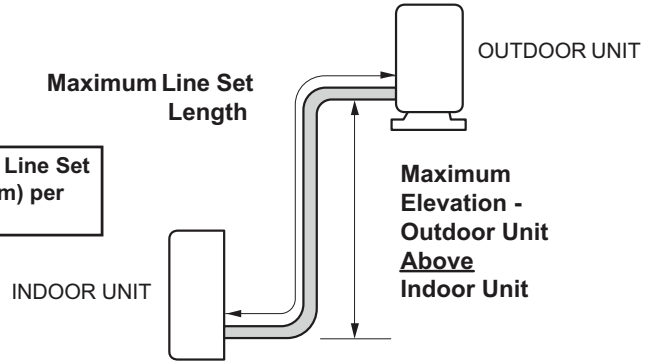


## LINE SET AND ELEVATION GUIDELINES

Outdoor Unit BELOW Indoor Unit



Outdoor Unit ABOVE Indoor Unit



**NOTE - Minimum Line Set Length - 10 ft. (3 m) per Indoor Unit**

Size	Line Set Diameters (in.)		Maximum Elevation - Outdoor Unit <u>Below</u> Indoor Unit ft. (m)	Maximum Elevation - Outdoor Unit <u>Above</u> Indoor Unit ft. (m)	Maximum Line Set Length ft. (m)
	Liquid	Gas			
036	3/8	5/8	98 ft. (30 m)	98 ft. (30 m)	213 ft. (65 m)



**HRAI**  
✓ MEMBER COMPANY



**Intertek**



Visit us at [www.Lennox.com](http://www.Lennox.com)

For the latest technical information, [www.LennoxCommercial.com](http://www.LennoxCommercial.com)

Contact us at 1-800-4-LENNOX

NOTE - Due to Lennox' ongoing commitment to quality, Specifications, Ratings and Dimensions subject to change without notice and without incurring liability. Improper installation, adjustment, alteration, service or maintenance can cause property damage or personal injury. Installation and service must be performed by a qualified installer and servicing agency.

©2022 Lennox Industries, Inc.