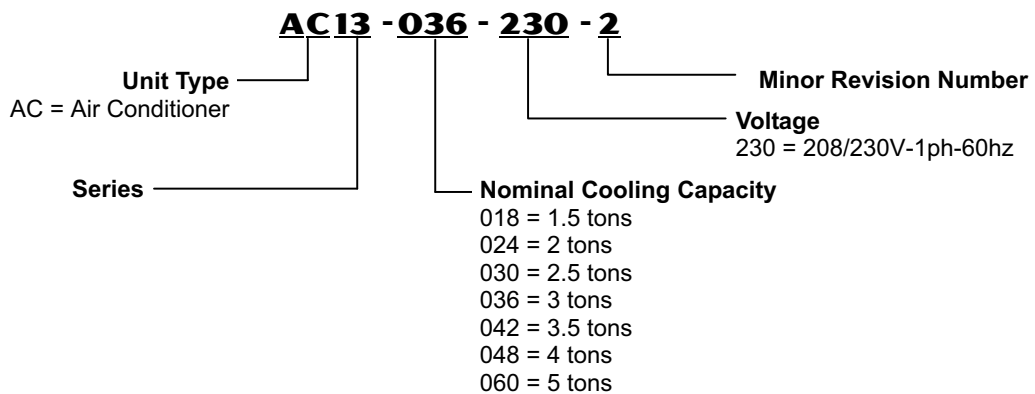




**SEER - up to 15.5**  
**1.5 to 5 Tons**  
**Cooling Capacity - 17,500 to 62,000 Btuh**

**MODEL NUMBER IDENTIFICATION**



## FEATURES

### CONTENTS

AHRI Ratings	Pages 9 - 23
Dimensions	Page 6
Electrical Data	Page 5
Features	Pages 2 - 4
Field Wiring	Page 4
Installation Clearances	Page 7
Model Number Identification	Page 1
Optional Accessories	Page 5
Sound Data	Page 7
Specifications	Page 5
Revisions	Page NO TAG

### EQUIPMENT WARRANTY

**Compressor** - limited warranty for **ten years** in residential installations and five years in non-residential installations.

**All other covered components** - **five years** in residential installations and one year in non-residential installations.

Refer to Lennox Equipment Limited Warranty certificate included with unit for specific details.

### APPLICATION

SEER up to 15.5.

1.5 through 5 ton.

Single phase power supply.

Sound levels as low as 76 dB.

Vertical air discharge allows concealment behind shrubs at grade level or out of sight on a roof.

Matching add-on furnace indoor coils or air handlers provide a wide range of cooling capacities and applications. See AHRI Ratings tables.

See Indoor Coils and Air Handlers tab sections for data.

Units shipped completely factory assembled, piped, and wired. Each unit is test operated at the factory insuring proper operation.

Installer must set air conditioner, connect refrigerant lines, and make electrical connections to complete job.

### APPROVALS

Certified in accordance with USE certification program which is based on AHRI Standard 210/240-94.

Sound rated in Lennox reverberant sound test room in accordance with test conditions included in AHRI Standard 270.

Tested in the Lennox Research Laboratory environmental test room.

Rated according to U.S. Department of Energy (DOE) test procedures.

Air conditioners and components within bonded for grounding to meet safety standards for servicing required by UL and CEC.

Units are UL and ULC listed.

ISO 9001 Registered Manufacturing Quality System.

ENERGY STAR® certified units are designed to use less energy, help save money on utility bills, and help protect the environment.



### REFRIGERATION SYSTEM

- 1 Outdoor Coil Fan**

Direct drive fan moves large air volumes uniformly through entire condenser coil for high refrigerant cooling capacity.

Vertical air discharge minimizes operating sounds and eliminates damage to lawn and shrubs.

Fan motor has sleeve bearings and is inherently protected.

Motor totally enclosed for maximum protection from weather, dust and corrosion

Fan guard constructed of corrosion-resistant PVC (polyvinyl chloride) coated steel.

Fan motor is inherently protected.

Fan service access accomplished by removal of fan guard.
- 2 Copper Tube/Enhanced Fin Coil**

Lennox designed and fabricated coil.

Ripple-edged aluminum fins.

Copper tube construction.

Lanced fins provide maximum exposure of fin surface to air stream resulting in excellent heat transfer.

Fin collars grip tubing for maximum contact area.

Flared shoulder tubing connections/silver soldering construction.

Coil is factory tested under high pressure to ensure leakproof construction.

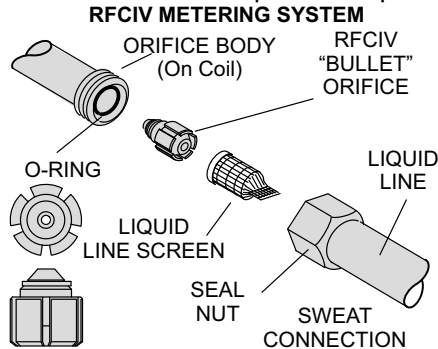
Entire coil is accessible for cleaning.

## FEATURES

### REFRIGERANT SYSTEM - CONTINUED

#### Refrigerant Flow Control

Units applicable to expansion valve systems or RFC systems when matched with specific evaporator coils.



#### RFCIV:

Accurately meters refrigerant in system.

Refrigerant control is accomplished by exact sizing of refrigerant metering orifice.

The principle involves matching indoor coil with proper bore size of orifice in metering device.

Equalizes pressure shortly after compressor stops, unit starts unloaded, eliminating need for additional controls.

Furnished with air conditioner.

#### OPTIONS

##### Expansion Valve Kits

Must be ordered extra and field installed on certain indoor units. See AHRI Ratings tables.

Chatleff-style fittings.

##### Freezestat

Installs on or near the vapor line of the indoor coil or on the suction line.

Senses suction line temperature and cycles the compressor off when suction line temperature falls below its setpoint.

Opens at 29°F and closes at 58°F.

##### High Pressure Switch

Protects the system from high pressure conditions that can be a result of fan failure or a blocked/dirty coil.

Manual reset.

##### Loss of Charge Switch Kit

Shuts off unit if suction pressure falls below setting.

Provides loss of charge and freeze-up protection.

Automatic reset.

##### Refrigerant Line Kits

Refrigerant lines (suction & liquid) are shipped refrigeration clean. Lines are cleaned, dried, pressurized and sealed at factory.

Suction line fully insulated.

Lines are stubbed at both ends.

Not available for -060 models and must be field fabricated.

### COMPRESSOR

#### 3 Scroll Compressor

Compressor features high efficiency with uniform suction flow, constant discharge flow and high volumetric efficiency and quiet operation.

Compressor consists of two involute spiral scrolls matched together to generate a series of crescent shaped gas pockets between them.

During compression, one scroll remains stationary while the other scroll orbits around it.

Gas is drawn into the outer pocket, the pocket is sealed as the scroll rotates.

As the spiral movement continues, gas pockets are pushed to the center of the scrolls. Volume between the pockets is simultaneously reduced.

When pocket reaches the center, gas is now at high pressure and is forced out of a port located in the center of the fixed scrolls.

During compression, several pockets are compressed simultaneously resulting in a smooth continuous compression cycle.

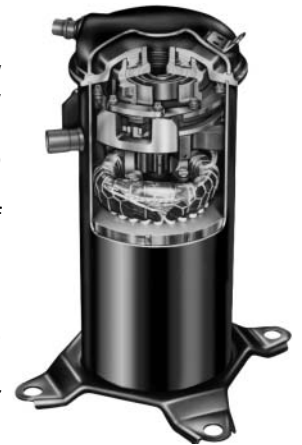
Continuous flank contact, maintained by centrifugal force, minimizes gas leakage and maximizes efficiency.

Scroll compressor is tolerant to the effects of slugging and contaminants. If this occurs, scrolls separate, allowing liquid or contaminants to be worked toward the center and discharged.

Low gas pulses during compression reduces operational sound levels.

Compressor motor is internally protected from excessive current and temperature.

Compressor is installed in the unit on resilient rubber mounts for vibration free operation.



#### OPTIONS

##### Compressor Crankcase Heater

Crankcase heater prevents migration of liquid refrigerant into compressor and ensures proper compressor lubrication.

##### Compressor Sound Cover

A reinforced vinyl compressor cover containing a 1-1/2 inch thick batt of fiberglass insulation.

All open edges are sealed with a one-inch wide hook and loop fastening tape.

## FEATURES

### CONTROLS

### OPTIONS

#### Compressor Hard Start Kit

Single-phase units are equipped with a PSC compressor motor.

This type of motor normally does not need a potential relay and start capacitor.

In conditions such as low voltage, kit may be required to increase the compressor starting torque.

#### Compressor Low Ambient Cut-Off

Non-adjustable switch (low ambient cut-out) prevents compressor operation when outdoor temperature is below 35°F.

#### Compressor Time-Off Control

Kit prevents compressor short-cycling and allows time for suction and discharge pressure to equalize.

Permits compressor start-up in an unloaded condition.

Automatic reset with 5 minute delay between compressor shut-off and start-up.

#### Indoor Blower Off Delay Relay

Delays the indoor blower-off time during the cooling cycle. See AHRI Rating Tables for usage.

#### Low Ambient Kit

Air conditioner will operate satisfactorily down to 45°F outdoor air temperature without any additional controls.

Kit can be added in the field enabling unit to operate properly down to 30°F.

A Freezestat should be installed on compressors equipped with a low ambient kit.

A Compressor Low Ambient Cut-Off should be added to terminate compressor operation below recommended operation conditions.

### CABINET

Heavy-gauge steel construction

Pre-painted cabinet finish.

Painted base section.

- ④ Control box is conveniently located with all controls factory wired.

Corner patch plate allows access to compressor components.

Drainage holes are provided in base section for moisture removal.

High density polyethylene unit support feet raise the unit off of the mounting surface, away from damaging moisture.

#### SmartHinge™ Louvered Coil Protection

- ⑤ Steel louvered panels provides complete coil protection.

Panels are hinged to allow easy cleaning and servicing of coils.

Panels may be completely removed.

Interlocking tabs and slots assure tight fit on cabinet.



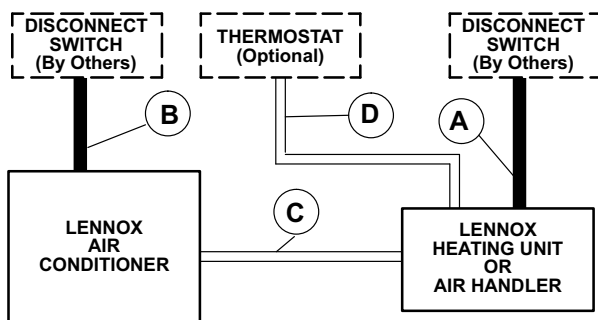
#### Refrigerant Line Connections, Electrical Inlets and Service Valves

- ⑥ Suction and liquid lines are located on corner of unit cabinet and are made with sweat connections. See dimension drawing.

Fully serviceable brass service valves prevent corrosion and provide access to refrigerant system. Suction valve can be fully shut off, while liquid valve may be front seated to manage refrigerant charge while servicing system.

Refrigerant line connections and field wiring inlets are located in one central area of the cabinet. See dimension drawing.

## FIELD WIRING



A — Two Wire Power (not furnished)

B — Two Power (not furnished) — See Electrical Data

C — Four Wire Low Voltage (not furnished) — 18 ga. minimum

D — Six Wire Low Voltage (not furnished) — 18 ga. minimum

All wiring must conform to NEC or CEC and local electrical codes.

## SPECIFICATIONS

General Data		Model No.	AC13-018	AC13-024	AC13-030	AC13-036	AC13-042	AC13-048	AC13-060
		Nominal Tonnage	1.5	2	2.5	3	3.5	4	5
Connections (sweat)	Liquid line o.d. - in.		3/8	3/8	3/8	3/8	3/8	3/8	3/8
	Suction line o.d. - in.		3/4	3/4	3/4	7/8	7/8	7/8	1-1/8
<sup>1</sup> Refrigerant (R-22) furnished			3 lbs. 13 oz.	4 lbs. 3 oz.	4 lbs. 13 oz.	5 lbs. 12 oz.	6 lbs. 6 oz.	7 lbs. 8 oz.	10 lbs. 0 oz.
Outdoor Coil	Net face area - sq. ft.	Outer coil	11.33	11.33	15.11	15.11	16.33	21.00	18.67
		Inner coil	---	---	---	---	---	---	18.01
	Tube diameter - in.		5/16	5/16	5/16	5/16	5/16	5/16	5/16
	Number of rows		1	1	1	1	1	1	2
	Fins per inch		26	26	26	26	26	26	22
Outdoor Fan	Diameter - in.		18	18	18	18	22	22	22
	Number of blades		3	3	3	3	4	4	4
	Motor hp		1/10	1/10	1/5	1/5	1/4	1/4	1/4
	Cfm		2350	2350	2500	2500	3500	3670	3600
	Rpm		1010	1010	1110	1110	825	835	830
	Watts		165	165	180	180	300	295	285
	Shipping Data - lbs. 1 package			150	150	168	170	206	229

## ELECTRICAL DATA

Line voltage data - 60 hz - 1ph		208/230V	208/230V	208/230V	208/230V	208/230V	208/230V	208/230V	
<sup>2</sup> Maximum overcurrent protection (amps)		15	20	30	30	40	40	60	
<sup>3</sup> Minimum circuit ampacity		10.4	13.8	18.7	19.1	25.7	25.7	33.3	
Compressor	Rated load amps		7.7	10.4	14.1	14.4	19.2	19.2	26.1
	Power factor		.98	.96	.96	.96	.98	.94	.96
	Locked rotor amps		40.3	54.0	67.0	77.0	104.0	97.0	141.0
Condenser Fan Motor	Full load amps		0.7	0.7	1.0	1.0	1.7	1.7	1.7
	Locked rotor amps		1.4	1.4	1.9	1.9	3.1	3.1	3.1

## OPTIONAL ACCESSORIES - MUST BE ORDERED EXTRA

Compressor Crankcase Heater	93M04	•	•	•	•			
	93M05					•	•	•
Compressor Hard Start Kit	10J42	•						
	88M91		•	•	•	•	•	•
Compressor Low Ambient Cut-Off	45F08	•	•	•	•	•	•	•
Compressor Sound Cover	69J03	•	•	•	•	•	•	•
Compressor Time-Off Control	47J27	•	•	•	•	•	•	•
Freezestat	3/8 in. tubing	93G35	•	•	•	•	•	•
	5/8 in. tubing	50A93	•	•	•	•	•	•
High Pressure Switch Kit	94J46	•	•	•	•	•	•	•
Indoor Blower Off Delay Relay	58M81	•	•	•	•	•	•	•
Loss of Charge Switch Kit	84M23	•	•	•	•	•	•	•
Low Ambient Kit	24H77	•	•	•	•	•	•	•
Refrigerant Line Sets	L15-41-20, L15-41-30, L15-41-40, L15-41-50		•	•				
	L15-65-30, L15-65-40, L15-65-50				•	•	•	
	Field Fabricate							•

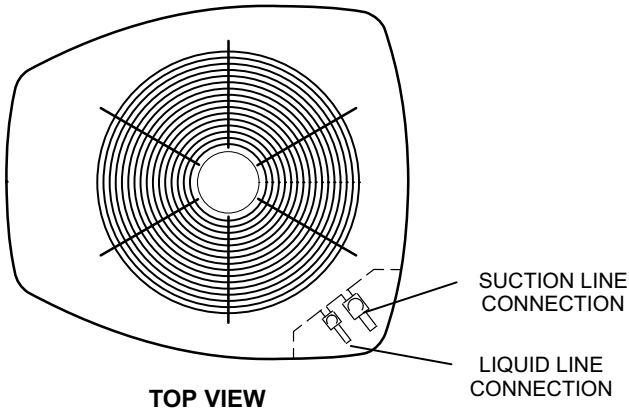
NOTE — Extremes of operating range are plus 10% and minus 5% of line voltage.

<sup>1</sup> Refrigerant charge sufficient for 15 ft. (4.6 m) length of refrigerant lines.

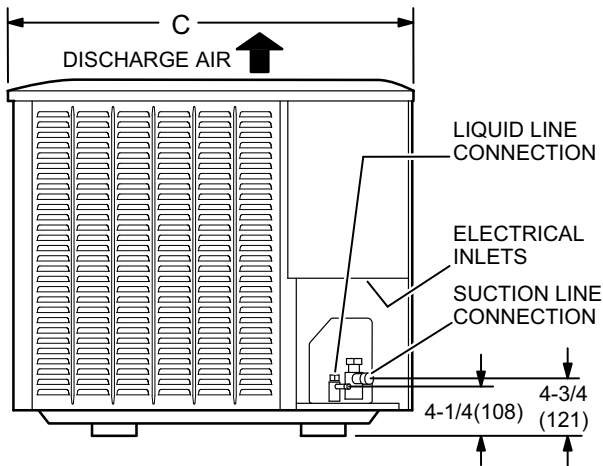
<sup>2</sup> HACR type circuit breaker or fuse.

<sup>3</sup> Refer to National or Canadian Electrical Code manual to determine wire, fuse and disconnect size requirements.

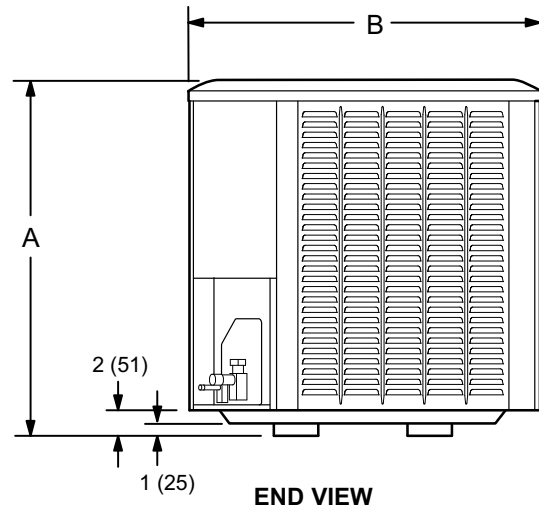
**DIMENSIONS - INCHES (MM)**



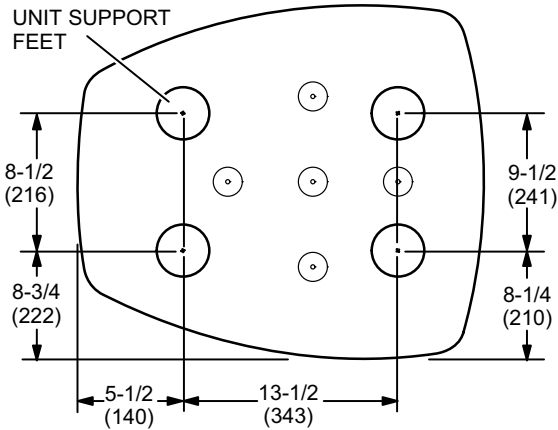
**TOP VIEW**



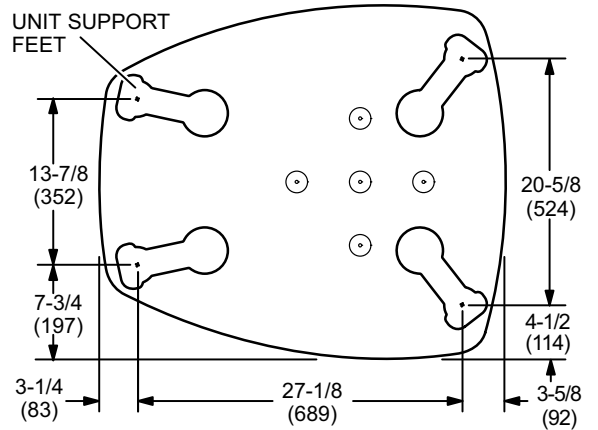
**SIDE VIEW**



**END VIEW**



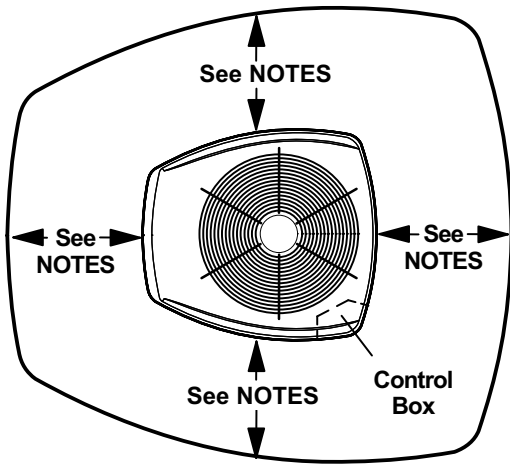
**AC13-018 TO -036 BASE SECTION**



**AC13-042 TO -060 BASE SECTION**

Model No.	A		B		C	
	in.	mm	in.	mm	in.	mm
AC13-018 AC13-024	27	686	27	686	28	711
AC13-030 AC13-036	35	889	27	686	28	711
AC13-042	31	787	30-1/2	775	35	889
AC13-048	39	991	30-1/2	775	35	889
AC13-060	35	889	30-1/2	775	35	889

## INSTALLATION CLEARANCES - INCHES (MM)



### NOTES:

Service clearance of 30 in. (762 mm) must be maintained on one of the sides adjacent to the control box.

Clearance to one of the other three sides must be 36 in. (914 mm)

Clearance to one of the remaining two sides may be 12 in. (305 mm) and the final side may be 6 in. (152 mm).

A clearance of 24 in. (610 mm) must be maintained between two units.

48 in. (1219 mm) clearance required on top of unit.

## OUTDOOR SOUND DATA

<sup>1</sup> Unit Model No.	Octave Band Sound Power Levels dBA, re 10 <sup>-12</sup> Watts Center Frequency - HZ							<sup>1</sup> Sound Rating Number (dB)
	125	250	500	1000	2000	4000	8000	
AC13-018	67.5	70.5	71.5	70.0	63.5	65.0	55.5	76
AC13-024	69.5	69.0	72.5	73.5	66.5	60.5	57.5	76
AC13-030	68.0	72.0	72.5	72.5	63.5	59.5	53.5	76
AC13-036	68.5	72.0	73.5	71.5	66.0	62.5	61.5	76
AC13-042	72.5	75.5	74.5	74.5	68.0	63.5	67.5	78
AC13-048	69.5	71.5	72.0	70.5	67.5	62.5	63.5	76
AC13-060	71.0	71.5	72.0	71.5	67.5	64.0	63.0	76

NOTE - the octave sound power data does not include tonal correction.

<sup>1</sup> Tested according to AHRI Standard 270 test conditions.

## AHRI RATINGS - INDOOR COIL / AIR HANDLER SUBSTITUTION

Most R-22 and R-410A indoor coils and air handlers are the same except for the factory installed expansion device. C33 coils can be used in place of the CX34 coils, CB26UH, CB27UH and CB30M air handlers can be used in place of the CB26XUH, CBX27UH, and CBX32M, respectively.

When using outdoor units equipped with R-410A refrigerant, the factory installed RFC or TXV on the C33/CB26UH/CB27UH/CB30M must be replaced to correspond to the outdoor unit. The correct TXV's are:

-018, -024, -030, -036 ..... **26K34**  
 -042, -048 ..... **26K35**  
 -060 ..... **91M01**

### Example:

A four-ton, R-410A air conditioner is being installed. The ARI table shows that CBX27UH-048 is a matching air handler. A CB27UH-048 with a 91M02 TXV can be used in its place.

### UP-FLOW COILS

	R-410A	R-22
CX34-18/24A-6F	=	C33-24A-2
CX34-18/24B-6F	=	C33-24B-2
CX34-18/24C-6F	=	C33-24C-2
CX34-19A-6F	=	C33-19A-2
CX34-25A-6F	=	C33-25A-2
CX34-25B-6F	=	C33-25B-2
CX34-30A-6F	=	C33-30A-2
CX34-30B-6F	=	C33-30B-2
CX34-30C-6F	=	C33-30C-2
CX34-31A-6F	=	C33-31A-2
CX34-31B-6F	=	C33-31B-2
CX34-36A-6F	=	C33-36A-2
CX34-36B-6F	=	C33-36B-2
CX34-36C-6F	=	C33-36C-2
CX34-38A-6F	=	C33-38A-2
CX34-38B-6F	=	C33-38B-2
CX34-42B-6F	=	C33-42B-2
CX34-43B-6F	=	C33-43B-2
CX34-43C-6F	=	C33-43C-2
no equivalent		C33-44C-2
CX34-44/48B-6F	=	C33-48B-2
CX34-44/48C-6F	=	C33-48C-2
CX34-49C-6F	=	C33-49C-2
CX34-50/60C-6F	=	C33-50/60C-2
CX34-60D-6F	=	C33-60D-2
CX34-62C-6F	=	C33-62C-2
CX34-62D-6F	=	C33-62D-2

### AIR HANDLERS

	R-410A	R-22
CBX26UH-018	=	CB26UH-018-R
CBX26UH-024	=	CB26UH-024-R
CBX26UH-030	=	CB26UH-030-R
CBX26UH-036	=	CB26UH-036-R
CBX26UH-042	=	CB26UH-042-R
CBX26UH-048	=	CB26UH-048
CBX26UH-060	=	CB26UH-060-R
CBX27UH-018/024	=	CB27UH-018/024
CBX27UH-030	=	CB27UH-030
CBX27UH-036	=	CB27UH-036
CBX27UH-042	=	CB27UH-042
CBX27UH-048	=	CB27UH-048
CBX27UH-060	=	CB27UH-060
CBX32M-018/024	=	CB30M-21/26
CBX32M-030	=	CB30M-31
CBX32M-036	=	CB30M-41
CBX32M-042	=	CB30M-46
CBX32M-048	=	CB30M-51
CBX32M-060	=	CB30M-65
CBX32MV-all	=	no equivalent



## AC13 AHRI RATINGS

Model	Cooling Btuh	SEER	EER	Coil or Air Handler	Furnace	Expansion Device
<b>Upflow Indoor Coils with TXV</b>						
AC13-018	17,600	13.00	11.50	C33-30A/B		26K34
AC13-018	18,100	13.00	11.50	C33-19A		26K34
AC13-018	18,400	13.00	11.50	C33-25A/B		26K34
AC13-018	18,700	13.00	12.00	C33-31A/B		26K34
<b>Downflow Indoor Coils with TXV</b>						
AC13-018	18,200	13.00	11.50	CR33-24A/B-F		26K34
AC13-018	18,600	13.00	11.50	CR33-30/36A/B-F		26K34
<b>Horizontal Indoor Coils with TXV</b>						
AC13-018	17,900	13.00	11.50	CH33-24/30A-2F		26K34
<b>Air Handlers with TXV</b>						
AC13-018	18,200	13.00	11.50	CB30M-21/26		Factory TXV
AC13-018	18,300	13.00	11.50	CB26UH-018-R		26K34
AC13-018	18,600	13.50	12.20	CB30M-31		Factory TXV
AC13-018	18,900	15.20	13.00	CB27UH-018		Factory TXV
AC13-018	19,000	15.20	13.00	CB27UH-024		Factory TXV
<b>Upflow Indoor Coils with RFC</b>						
AC13-018	17,500	13.00	11.00	C33-19A		0.055 (21J64)
AC13-018	18,200	13.00	11.50	C33-25A/B		0.055 (21J64)
<b>Air Handlers with RFC</b>						
AC13-018	18,300	13.00	11.00	CB26UH-018-R		0.055 (21J64)
<b>Upflow Indoor Coils with TXV</b>						
AC13-024	23,400	13.00	11.00	C33-30A/B		26K34
AC13-024	23,400	13.00	11.00	C33-19A		26K34
AC13-024	23,800	13.00	11.50	C33-25A/B		26K34
AC13-024	23,800	13.00	11.50	C33-36A/B		26K34
AC13-024	24,400	13.00	11.50	C33-31A/B		26K34
AC13-024	24,400	13.00	11.50	C33-38A/B		26K34
<b>Upflow Indoor Coils with TXV + Furnace</b>						
AC13-024	24,000	13.50	12.00	C33-30B	G61MPV-36B-045	26K34
AC13-024	24,000	14.00	12.00	C33-30B	G60UHV-36B-090	26K34
AC13-024	24,000	14.00	12.00	C33-30A	G60UHV-36A-070	26K34
AC13-024	24,000	14.00	12.00	C33-30B	G61MPV-36B-070	26K34
AC13-024	24,000	14.00	12.00	C33-30B	G71MPP-36B-070	26K34
AC13-024	24,000	14.00	12.00	C33-19A	G60UHV-36A-070	26K34
AC13-024	24,200	14.00	12.00	C33-36A	G60UHV-36A-070	26K34
AC13-024	24,400	14.00	12.00	C33-36B	G61MPV-36B-070	26K34
AC13-024	24,400	14.00	12.00	C33-36B	G71MPP-36B-070	26K34
AC13-024	24,400	14.00	12.00	C33-25A	G60UHV-36A-070	26K34
AC13-024	24,400	14.00	12.00	C33-25B	G61MPV-36B-070	26K34
AC13-024	24,400	14.00	12.00	C33-25B	G71MPP-36B-070	26K34
AC13-024	24,400	14.00	12.00	C33-36B	G61MPV-36B-045	26K34
AC13-024	24,400	14.00	12.00	C33-25B	G61MPV-36B-045	26K34

**NOTES:**

Ratings are certified in accordance with USE certification program which is based on AHRI Standard 210/240; 95°F outdoor air temperature, 80°F db / 67°F wb entering evaporator air with 25 ft. of connecting refrigerant lines.

All ratings include the use of a blower time-off delay. All Lennox variable-speed furnaces and Air Handlers have time-off delay capabilities. Other furnaces and Air Handlers may require an optional time delay relay (58M81) for field installation. See furnace or air handler specifications to determine if relay is needed.

Expansion Devices – If “Factory TXV” is listed, no change is required. If a catalog number is listed, the factory installed RFC or expansion valve on the indoor coil must be replaced with the expansion valve (ordered separately) or RFC (shipped with air conditioner) listed.

\*Most popular combination.

## AC13 AHRI RATINGS

Model	Cooling Btuh	SEER	EER	Coil or Air Handler	Furnace	Expansion Device
AC13-024	24,400	14.00	12.50	C33-36B	G60UHV-36B-090	26K34
AC13-024	24,400	14.00	12.50	C33-25B	G60UHV-36B-090	26K34
AC13-024	25,000	14.00	12.50	C33-31B	G60UHV-36B-090	26K34
AC13-024	25,000	14.00	12.50	C33-31A	G60UHV-36A-070	26K34
AC13-024	25,000	14.00	12.50	C33-31B	G61MPV-36B-070	26K34
AC13-024	25,000	14.00	12.50	C33-31B	G71MPP-36B-070	26K34
AC13-024	25,000	14.00	12.50	C33-31B	G61MPV-36B-045	26K34
AC13-024	25,000	14.00	12.50	C33-38A	G60UHV-36A-070	26K34
AC13-024	25,200	14.00	12.50	C33-38B	G61MPV-36B-070	26K34
AC13-024	25,200	14.00	12.50	C33-38B	G71MPP-36B-070	26K34
AC13-024	25,200	14.00	12.50	C33-38B	G61MPV-36B-045	26K34
AC13-024	25,200	14.00	13.00	C33-38B	G60UHV-36B-090	26K34

### Downflow Indoor Coils with TXV

AC13-024	23,600	13.00	11.00	CR33-24A/B-F		26K34
AC13-024	24,000	13.00	11.50	CR33-30/36A/B-F		26K34

### Downflow Indoor Coils with TXV + Furnace

AC13-024	24,200	14.00	12.00	CR33-24B-F	G61MPV-36B-070	26K34
AC13-024	24,200	14.00	12.00	CR33-24B-F	G71MPP-36B-070	26K34
AC13-024	24,200	14.00	12.00	CR33-24B-F	G61MPV-36B-045	26K34
AC13-024	24,600	14.00	12.50	CR33-24B-F	G60DFV-36B-090	26K34
AC13-024	24,600	14.00	12.50	CR33-30/36B-F	G61MPV-36B-070	26K34
AC13-024	24,600	14.00	12.50	CR33-30/36B-F	G71MPP-36B-070	26K34
AC13-024	24,600	14.00	12.50	CR33-30/36B-F	G61MPV-36B-045	26K34
AC13-024	25,000	14.00	12.50	CR33-30/36B-F	G60DFV-36B-090	26K34

### Horizontal Indoor Coils with TXV

AC13-024	23,800	13.00	11.00	CH33-36A/B/C-2F		26K34
----------	--------	-------	-------	-----------------	--	-------

### Horizontal Indoor Coils with TXV + Furnace

AC13-024	24,400	14.00	12.00	CH33-36A-2F	G60UHV-36A-070	26K34
AC13-024	24,400	14.00	12.00	CH33-36B-2F	G61MPV-36B-070	26K34
AC13-024	24,400	14.00	12.00	CH33-36B-2F	G71MPP-36B-070	26K34
AC13-024	24,400	14.00	12.00	CH33-36B-2F	G61MPV-36B-045	26K34
AC13-024	24,400	14.00	12.50	CH33-36B-2F	G60UHV-36B-090	26K34

### Air Handlers with TXV

AC13-024	24,000	13.00	11.50	CB30M-21/26		Factory TXV
AC13-024	24,200	13.00	11.70	CB30M-41		26K34
AC13-024	24,200	13.00	12.00	CBX26UH-024-R		26K34
AC13-024	24,200	13.00	12.00	CB30M-31		Factory TXV
AC13-024	24,400	15.00	12.70	CBX27UH-024		26K34
AC13-024	24,600	15.00	13.00	CBX27UH-030		26K34
AC13-024	24,800	14.00	12.50	CBX32MV-036		26K34
AC13-024	24,800	14.00	12.50	CBX40UHV-036		26K34

#### NOTES:

Ratings are certified in accordance with USE certification program which is based on AHRI Standard 210/240; 95°F outdoor air temperature, 80°F db / 67°F wb entering evaporator air with 25 ft. of connecting refrigerant lines.

All ratings include the use of a blower time-off delay. All Lennox variable-speed furnaces and Air Handlers have time-off delay capabilities. Other furnaces and Air Handlers may require an optional time delay relay (58M81) for field installation. See furnace or air handler specifications to determine if relay is needed.

Expansion Devices – If "Factory TXV" is listed, no change is required. If a catalog number is listed, the factory installed RFC or expansion valve on the indoor coil must be replaced with the expansion valve (ordered separately) or RFC (shipped with air conditioner) listed.

\*Most popular combination.

## AC13 AHRI RATINGS

Model	Cooling Btuh	SEER	EER	Coil or Air Handler	Furnace	Expansion Device
<b>Upflow Indoor Coils with RFC</b>						
AC13-024	23,400	13.00	11.00	C33-30A/B		0.06(98M12)
AC13-024	23,600	13.00	11.20	C33-25A/B		0.06(98M12)
AC13-024	23,600	13.00	11.20	C33-36A/B		0.06(98M12)
AC13-024	24,200	13.00	11.50	C33-31A/B		0.06(98M12)
AC13-024	24,200	13.00	11.50	C33-38A/B		0.06(98M12)
<b>Upflow Indoor Coils with RFC + Furnace</b>						
AC13-024	24,000	13.00	12.00	C33-30B	G61MPV-36B-045	0.06(98M12)
AC13-024	24,000	13.50	12.00	C33-30B	G60UHV-36B-090	0.06(98M12)
AC13-024	24,000	13.50	12.00	C33-30A	G60UHV-36A-070	0.06(98M12)
AC13-024	24,000	13.50	12.00	C33-30B	G61MPV-36B-070	0.06(98M12)
AC13-024	24,000	13.50	12.00	C33-30B	G71MPP-36B-070	0.06(98M12)
AC13-024	24,000	14.00	12.00	C33-36A	G60UHV-36A-070	0.06(98M12)
AC13-024	24,200	14.00	12.00	C33-36B	G61MPV-36B-070	0.06(98M12)
AC13-024	24,200	14.00	12.00	C33-36B	G71MPP-36B-070	0.06(98M12)
AC13-024	24,200	14.00	12.00	C33-25A	G60UHV-36A-070	0.06(98M12)
AC13-024	24,200	14.00	12.00	C33-25B	G61MPV-36B-070	0.06(98M12)
AC13-024	24,200	14.00	12.00	C33-25B	G71MPP-36B-070	0.06(98M12)
AC13-024	24,200	14.00	12.00	C33-36B	G61MPV-36B-045	0.06(98M12)
AC13-024	24,200	14.00	12.00	C33-25B	G61MPV-36B-045	0.06(98M12)
AC13-024	24,200	14.00	12.50	C33-36B	G60UHV-36B-090	0.06(98M12)
AC13-024	24,200	14.00	12.50	C33-25B	G60UHV-36B-090	0.06(98M12)
AC13-024	24,800	14.00	12.50	C33-31B	G60UHV-36B-090	0.06(98M12)
AC13-024	24,800	14.00	12.50	C33-31B	G61MPV-36B-070	0.06(98M12)
AC13-024	24,800	14.00	12.50	C33-31B	G71MPP-36B-070	0.06(98M12)
AC13-024	24,800	14.00	12.50	C33-31A	G60UHV-36A-070	0.06(98M12)
AC13-024	24,800	14.00	12.50	C33-31B	G61MPV-36B-045	0.06(98M12)
AC13-024	25,000	14.00	12.50	C33-38A	G60UHV-36A-070	0.06(98M12)
AC13-024	25,000	14.00	12.50	C33-38B	G61MPV-36B-070	0.06(98M12)
AC13-024	25,000	14.00	12.50	C33-38B	G71MPP-36B-070	0.06(98M12)
AC13-024	25,000	14.00	12.50	C33-38B	G61MPV-36B-045	0.06(98M12)
AC13-024	25,000	14.00	13.00	C33-38B	G60UHV-36B-090	0.06(98M12)
<b>Downflow Indoor Coils with RFC</b>						
AC13-024	23,800	13.00	11.50	CR33-30/36A/B/C-F		0.06(98M12)
<b>Downflow Indoor Coils with RFC + Furnace</b>						
AC13-024	24,400	14.00	12.50	CR33-30/36B-F	G61MPV-36B-070	0.06(98M12)
AC13-024	24,400	14.00	12.50	CR33-30/36B-F	G71MPP-36B-070	0.06(98M12)
AC13-024	24,400	14.00	12.50	CR33-30/36B-F	G61MPV-36B-045	0.06(98M12)
AC13-024	25,000	14.00	12.50	CR33-30/36B-F	G60DFV-36B-090	0.06(98M12)
<b>Horizontal Indoor Coils with RFC</b>						
AC13-024	23,600	13.00	11.00	CH33-36A/B/C-2F		0.06(98M12)

### NOTES:

Ratings are certified in accordance with USE certification program which is based on AHRI Standard 210/240; 95°F outdoor air temperature, 80°F db / 67°F wb entering evaporator air with 25 ft. of connecting refrigerant lines.

All ratings include the use of a blower time-off delay. All Lennox variable-speed furnaces and Air Handlers have time-off delay capabilities. Other furnaces and Air Handlers may require an optional time delay relay (58M81) for field installation. See furnace or air handler specifications to determine if relay is needed.

Expansion Devices – If “Factory TXV” is listed, no change is required. If a catalog number is listed, the factory installed RFC or expansion valve on the indoor coil must be replaced with the expansion valve (ordered separately) or RFC (shipped with air conditioner) listed.

\*Most popular combination.

## AC13 AHRI RATINGS

Model	Cooling Btuh	SEER	EER	Coil or Air Handler	Furnace	Expansion Device
<b>Horizontal Indoor Coils with RFC + Furnace</b>						
AC13-024	24,200	14.00	12.00	CH33-36A-2F	G60UHV-36A-070	0.06(98M12)
AC13-024	24,200	14.00	12.00	CH33-36B-2F	G61MPV-36B-070	0.06(98M12)
AC13-024	24,200	14.00	12.00	CH33-36B-2F	G71MPP-36B-070	0.06(98M12)
AC13-024	24,200	14.00	12.00	CH33-36B-2F	G61MPV-36B-045	0.06(98M12)
AC13-024	24,200	14.00	12.50	CH33-36B-2F	G60UHV-36B-090	0.06(98M12)
<b>Air Handlers with RFC</b>						
AC13-024	24,200	13.00	11.00	CBX26UH-024-R		0.06(98M12)
<b>Upflow Indoor Coils with TXV</b>						
AC13-030	28,000	13.00	11.00	* C33-30A/B/C		26K34
AC13-030	28,800	13.00	11.00	C33-25A/B		26K34
AC13-030	28,800	13.00	11.00	C33-36A/B/C		26K34
AC13-030	28,800	13.00	11.00	C33-42B		26K34
AC13-030	29,600	13.00	11.50	C33-31A/B		26K34
AC13-030	30,000	13.00	11.50	C33-38A/B		26K34
<b>Upflow Indoor Coils with TXV + Furnace</b>						
AC13-030	28,400	13.00	11.50	C33-30A	G60UHV-36A-070	26K34
AC13-030	28,400	14.00	11.50	C33-30B	G61MPV-36B-071	26K34
AC13-030	28,400	14.00	12.00	C33-30B	G60UHV-36B-090	26K34
AC13-030	29,200	14.00	12.00	C33-25A	G60UHV-36A-070	26K34
AC13-030	29,200	14.00	12.00	C33-25B	G61MPV-36B-071	26K34
AC13-030	29,200	14.00	12.00	C33-36A	G60UHV-36A-070	26K34
AC13-030	29,200	14.00	12.00	C33-36B	G60UHV-36B-090	26K34
AC13-030	29,200	14.00	12.00	C33-36B	G61MPV-36B-071	26K34
AC13-030	29,200	14.00	12.00	C33-42B	G60UHV-36B-090	26K34
AC13-030	29,200	14.00	12.15	C33-42B	G61MPV-36B-071	26K34
AC13-030	29,400	14.00	12.50	C33-25B	G60UHV-36B-090	26K34
AC13-030	30,400	14.00	12.00	C33-38B	G61MPV-36B-045	26K34
AC13-030	30,400	14.00	12.50	C33-38A	G60UHV-36A-070	26K34
AC13-030	30,400	14.00	12.50	C33-38B	G60UHV-36B-090	26K34
AC13-030	30,400	14.00	12.50	C33-38B	G61MPV-36B-070	26K34
AC13-030	30,400	14.00	12.50	C33-38B	G71MPP-36B-070	26K34
<b>Downflow Indoor Coils with TXV</b>						
AC13-030	29,200	13.00	11.50	CR33-30/36A/B-F		26K34
<b>Downflow Indoor Coils with TXV + Furnace</b>						
AC13-030	29,600	14.00	12.00	CR33-30/36B-F	G61MPV-36B-071	26K34
AC13-030	29,800	14.00	11.50	CR33-30/36B-F	G60DFV-36B-090	26K34
<b>Horizontal Indoor Coils with TXV</b>						
AC13-030	28,800	13.00	11.00	CH33-36A/B/C-2F		26K34
AC13-030	29,600	13.00	11.50	CH33-42B-2F		26K34

### NOTES:

Ratings are certified in accordance with USE certification program which is based on AHRI Standard 210/240; 95°F outdoor air temperature, 80°F db / 67°F wb entering evaporator air with 25 ft. of connecting refrigerant lines.

All ratings include the use of a blower time-off delay. All Lennox variable-speed furnaces and Air Handlers have time-off delay capabilities. Other furnaces and Air Handlers may require an optional time delay relay (58M81) for field installation. See furnace or air handler specifications to determine if relay is needed.

Expansion Devices – If "Factory TXV" is listed, no change is required. If a catalog number is listed, the factory installed RFC or expansion valve on the indoor coil must be replaced with the expansion valve (ordered separately) or RFC (shipped with air conditioner) listed.

\*Most popular combination.

## AC13 AHRI RATINGS

Model	Cooling Btuh	SEER	EER	Coil or Air Handler	Furnace	Expansion Device
<b>Horizontal Indoor Coils with TXV + Furnace</b>						
AC13-030	29,000	14.00	12.00	CH33-36A-2F	G60UHV-36A-070	26K34
AC13-030	29,200	14.00	12.00	CH33-36B-2F	G60UHV-36B-090	26K34
AC13-030	29,200	14.00	12.00	CH33-36B-2F	G61MPV-36B-071	26K34
AC13-030	30,000	14.00	12.00	CH33-42B-2F	G61MPV-36B-071	26K34
AC13-030	30,200	14.00	12.50	CH33-42B-2F	G60UHV-36B-090	26K34
<b>Air Handlers with TXV</b>						
AC13-030	28,400	13.00	11.00	CB30M-21/26		Factory TXV
AC13-030	29,400	14.00	12.00	CB26UH-030-R		26K34
AC13-030	29,600	14.00	12.00	CB30M-31		Factory TXV
AC13-030	29,600	14.00	12.00	CB30M-41		Factory TXV
AC13-030	29,800	14.00	12.50	CBX32MV-036		26K34
AC13-030	29,800	14.00	12.50	CBX40UHV-036		26K34
AC13-030	29,800	15.00	12.50	CB27UH-030		Factory TXV
AC13-030	29,800	15.00	13.00	CB27UH-036		Factory TXV
<b>Upflow Indoor Coils with RFC + Furnace</b>						
AC13-030	28,400	13.00	11.50	C33-30A	G60UHV-36A-070	0.067 (11W00)
AC13-030	28,400	13.00	11.50	C33-30B	G61MPV-36B-045	0.067 (11W00)
AC13-030	28,400	13.00	11.50	C33-30B	G61MPV-36B-070	0.067 (11W00)
AC13-030	28,400	13.00	11.50	C33-30B	G71MPP-36B-070	0.067 (11W00)
AC13-030	28,400	13.00	12.00	C33-30B	G60UHV-36B-090	0.067 (11W00)
AC13-030	29,200	13.00	12.00	C33-36B	G61MPV-36B-045	0.067 (11W00)
AC13-030	29,200	13.00	12.00	C33-42B	G61MPV-36B-045	0.067 (11W00)
AC13-030	29,200	14.00	12.00	C33-25A	G60UHV-36A-070	0.067 (11W00)
AC13-030	29,200	14.00	12.00	C33-25B	G61MPV-36B-070	0.067 (11W00)
AC13-030	29,200	14.00	12.00	C33-25B	G71MPP-36B-070	0.067 (11W00)
AC13-030	29,200	14.00	12.00	C33-36A	G60UHV-36A-070	0.067 (11W00)
AC13-030	29,200	14.00	12.00	C33-36B	G60UHV-36B-090	0.067 (11W00)
AC13-030	29,200	14.00	12.00	C33-36B	G61MPV-36B-070	0.067 (11W00)
AC13-030	29,200	14.00	12.00	C33-36B	G71MPP-36B-070	0.067 (11W00)
AC13-030	29,200	14.00	12.00	C33-42B	G60UHV-36B-090	0.067 (11W00)
AC13-030	29,200	14.00	12.00	C33-42B	G61MPV-36B-070	0.067 (11W00)
AC13-030	29,200	14.00	12.00	C33-42B	G71MPP-36B-070	0.067 (11W00)
AC13-030	29,200	14.00	12.00	C33-42B	G60UHV-36B-090	0.067 (11W00)
AC13-030	29,400	14.00	12.00	C33-25B	G61MPV-36B-045	0.067 (11W00)
AC13-030	29,400	14.00	12.50	C33-25B	G60UHV-36B-090	0.067 (11W00)
AC13-030	30,400	14.00	12.00	C33-38B	G61MPV-36B-045	0.067 (11W00)
AC13-030	30,400	14.00	12.50	C33-38A	G60UHV-36A-070	0.067 (11W00)
AC13-030	30,400	14.00	12.50	C33-38B	G60UHV-36B-090	0.067 (11W00)
AC13-030	30,400	14.00	12.50	C33-38B	G61MPV-36B-070	0.067 (11W00)
AC13-030	30,400	14.00	12.50	C33-38B	G71MPP-36B-070	0.067 (11W00)
<b>Downflow Indoor Coils with RFC + Furnace</b>						
AC13-030	29,600	13.00	12.00	CR33-30/36B-F	G61MPV-36B-045	0.067 (11W00)
AC13-030	29,600	14.00	12.00	CR33-30/36B-F	G61MPV-36B-070	0.067 (11W00)

### NOTES:

Ratings are certified in accordance with USE certification program which is based on AHRI Standard 210/240; 95°F outdoor air temperature, 80°F db / 67°F wb entering evaporator air with 25 ft. of connecting refrigerant lines.

All ratings include the use of a blower time-off delay. All Lennox variable-speed furnaces and Air Handlers have time-off delay capabilities. Other furnaces and Air Handlers may require an optional time delay relay (58M81) for field installation. See furnace or air handler specifications to determine if relay is needed.

Expansion Devices – If "Factory TXV" is listed, no change is required. If a catalog number is listed, the factory installed RFC or expansion valve on the indoor coil must be replaced with the expansion valve (ordered separately) or RFC (shipped with air conditioner) listed.

\*Most popular combination.

## AC13 AHRI RATINGS

Model	Cooling Btuh	SEER	EER	Coil or Air Handler	Furnace	Expansion Device
AC13-030	29,600	14.00	12.00	CR33-30/36B-F	G71MPP-36B-070	0.067 (11W00)
AC13-030	29,800	14.00	12.50	CR33-30/36B-F	G60DFV-36B-090	0.067 (11W00)
<b>Horizontal Indoor Coils with RFC + Furnace</b>						
AC13-030	29,000	14.00	12.00	CH33-36A-2F	G60UHV-36A-070	0.067 (11W00)
AC13-030	29,200	13.00	12.00	CH33-36B-2F	G61MPV-36B-045	0.067 (11W00)
AC13-030	29,200	13.00	12.00	CH33-36B-2F	G61MPV-36B-070	0.067 (11W00)
AC13-030	29,200	13.00	12.00	CH33-36B-2F	G71MPP-36B-070	0.067 (11W00)
AC13-030	29,200	14.00	12.00	CH33-36B-2F	G60UHV-36B-090	0.067 (11W00)
AC13-030	30,000	14.00	12.00	CH33-42B-2F	G61MPV-36B-070	0.067 (11W00)
AC13-030	30,000	14.00	12.00	CH33-42B-2F	G71MPP-36B-070	0.067 (11W00)
AC13-030	30,200	14.00	12.00	CH33-42B-2F	G61MPV-36B-045	0.067 (11W00)
AC13-030	30,200	14.00	12.50	CH33-42B-2F	G60UHV-36B-090	0.067 (11W00)
<b>Upflow Indoor Coils with TXV</b>						
AC13-036	34,800	13.00	11.00	3,5 C33-38A/B		26K34
AC13-036	34,800	13.00	11.00	C33-50/60C		26K34
AC13-036	35,000	13.00	11.00	C33-43B/C		26K34
<b>Upflow Indoor Coils with TXV + Furnace</b>						
AC13-036	35,000	13.00	11.60	C33-38B	G61MPV-36B-070	26K34
AC13-036	35,000	13.00	11.60	C33-38B	G71MPP-36B-070	26K34
AC13-036	35,200	13.00	11.00	C33-38A	G60UHV-36A-070	26K34
AC13-036	35,200	13.00	11.50	C33-43B	G61MPV-36B-071	26K34
AC13-036	35,400	14.00	11.50	C33-38B	G60UHV-36B-090	26K34
AC13-036	35,600	13.50	11.50	C33-50/60C	G61MPV-60C-091	26K34
AC13-036	35,600	14.00	12.00	C33-43B	G60UHV-36B-090	26K34
AC13-036	35,800	14.00	11.50	C33-50/60C	G61MPV-60C-111	26K34
AC13-036	35,800	14.00	12.00	C33-50/60C	G60UHV-60C-110	26K34
<b>Downflow Indoor Coils with TXV + Furnace</b>						
AC13-036	34,000	13.00	11.00	CR33-48B-F	G61MPV-36B-045	26K34
AC13-036	34,000	13.00	11.00	CR33-48B-F	G61MPV-36B-070	26K34
AC13-036	34,000	13.00	11.00	CR33-48B-F	G71MPP-36B-070	26K34
AC13-036	34,200	13.00	11.50	CR33-48B-F	G60DFV-36B-090	26K34
AC13-036	34,400	13.00	11.00	CR33-48C-F	G61MPV-60C-090	26K34
AC13-036	34,400	13.00	11.00	CR33-48C-F	G71MPP-60C-090	26K34
AC13-036	34,600	13.00	11.50	CR33-48C-F	G61MPV-60C-110	26K34
AC13-036	34,600	13.00	11.50	CR33-48C-F	G71MPP-60C-110	26K34
<b>Horizontal Indoor Coils with TXV</b>						
AC13-036	34,800	13.00	11.00	CH33-44/48B-2F		26K34
AC13-036	35,000	13.00	11.00	CH33-48C-2F		26K34
<b>Horizontal Indoor Coils with TXV + Furnace</b>						
AC13-036	35,000	13.00	11.50	CH33-44/48B-2F	G61MPV-36B-070	26K34
AC13-036	35,000	13.00	11.50	CH33-44/48B-2F	G71MPP-36B-070	26K34
AC13-036	35,200	13.00	11.00	CH33-44/48B-2F	G61MPV-36B-045	26K34
AC13-036	35,400	14.00	11.50	CH33-44/48B-2F	G60UHV-36B-090	26K34

### NOTES:

Ratings are certified in accordance with USE certification program which is based on AHRI Standard 210/240; 95°F outdoor air temperature, 80°F db / 67°F wb entering evaporator air with 25 ft. of connecting refrigerant lines.

All ratings include the use of a blower time-off delay. All Lennox variable-speed furnaces and Air Handlers have time-off delay capabilities. Other furnaces and Air Handlers may require an optional time delay relay (58M81) for field installation. See furnace or air handler specifications to determine if relay is needed.

Expansion Devices – If "Factory TXV" is listed, no change is required. If a catalog number is listed, the factory installed RFC or expansion valve on the indoor coil must be replaced with the expansion valve (ordered separately) or RFC (shipped with air conditioner) listed.

\*Most popular combination.

## AC13 AHRI RATINGS

Model	Cooling Btuh	SEER	EER	Coil or Air Handler	Furnace	Expansion Device
AC13-036	35,800	14.00	11.50	CH33-48C-2F	G61MPV-60C-090	26K34
AC13-036	35,800	14.00	11.50	CH33-48C-2F	G71MPP-60C-090	26K34
AC13-036	35,800	14.00	11.50	CH33-48C-2F	G61MPV-60C-110	26K34
AC13-036	35,800	14.00	11.50	CH33-48C-2F	G71MPP-60C-110	26K34
<b>Air Handlers with TXV</b>						
AC13-036	33,400	13.00	11.00	CB30M-31		Factory TXV
AC13-036	33,800	13.00	10.90	CB30M-41		Factory TXV
AC13-036	33,800	13.00	10.90	CB30M-46		26K34
AC13-036	34,000	13.00	11.00	CBX32MV-036		26K34
AC13-036	34,000	13.00	11.00	CBX40UHV-036		26K34
AC13-036	34,000	13.50	11.50	CB27UH-036		Factory TXV
AC13-036	34,400	13.00	11.00	CB26UH-036-R		26K34
AC13-036	35,400	13.00	11.00	CB30M-51		26K34
AC13-036	35,600	14.50	12.00	CB27UH-042		Factory TXV
AC13-036	35,600	14.50	12.00	CBX40UH-042		26K34
AC13-036	35,800	14.00	12.00	CBX32MV-048		26K34
AC13-036	35,800	14.00	12.00	CBX40UHV-048		26K34
<b>Upflow Indoor Coils with RFC</b>						
AC13-036	35,000	13.00	11.00	C33-43B/C		0.076 (97M78)
<b>Upflow Indoor Coils with RFC + Furnace</b>						
AC13-036	35,000	13.00	11.50	C33-38B	G61MPV-36B-070	0.076 (97M78)
AC13-036	35,000	13.00	11.50	C33-38B	G71MPP-36B-070	0.076 (97M78)
AC13-036	35,200	13.00	11.00	C33-38A	G60UHV-36A-070	0.076 (97M78)
AC13-036	35,200	13.00	11.00	C33-38B	G61MPV-36B-045	0.076 (97M78)
AC13-036	35,200	13.00	11.50	C33-43B	G61MPV-36B-070	0.076 (97M78)
AC13-036	35,200	13.00	11.50	C33-43B	G71MPP-36B-070	0.076 (97M78)
AC13-036	35,400	13.00	11.50	C33-43B	G61MPV-36B-045	0.076 (97M78)
AC13-036	35,400	14.00	11.50	C33-38B	G60UHV-36B-090	0.076 (97M78)
AC13-036	35,600	14.00	12.00	C33-43B	G60UHV-36B-090	0.076 (97M78)
<b>Horizontal Indoor Coils with RFC + Furnace</b>						
AC13-036	35,600	14.00	11.50	CH33-48C-2F	G60UHV-36B-090	0.076 (97M78)
<b>Air Handlers with RFC</b>						
AC13-036	34,600	13.00	11.00	CB26UH-036-R		0.076 (97M78)
<b>Upflow Indoor Coils with TXV</b>						
AC13-042	41,500	13.00	11.00	* C33-43B/C		26K35
AC13-042	41,500	13.00	11.00	C33-49C		26K35
AC13-042	41,500	13.00	11.00	C33-50/60C		26K35
<b>Upflow Indoor Coils with TXV + Furnace</b>						
AC13-042	41,500	14.00	12.00	C33-49C	G60UHV-60C-090	26K35
AC13-042	42,000	13.00	11.00	C33-43B	G61MPV-36B-070	26K35
AC13-042	42,000	13.00	11.00	C33-43B	G71MPP-36B-070	26K35
AC13-042	42,000	13.00	11.50	C33-43B	G60UHV-36B-090	26K35
AC13-042	42,000	13.00	11.50	C33-50/60C	G61MPV-60C-090	26K35

### NOTES:

Ratings are certified in accordance with USE certification program which is based on AHRI Standard 210/240; 95°F outdoor air temperature, 80°F db / 67°F wb entering evaporator air with 25 ft. of connecting refrigerant lines.

All ratings include the use of a blower time-off delay. All Lennox variable-speed furnaces and Air Handlers have time-off delay capabilities. Other furnaces and Air Handlers may require an optional time delay relay (58M81) for field installation. See furnace or air handler specifications to determine if relay is needed.

Expansion Devices – If "Factory TXV" is listed, no change is required. If a catalog number is listed, the factory installed RFC or expansion valve on the indoor coil must be replaced with the expansion valve (ordered separately) or RFC (shipped with air conditioner) listed.

\*Most popular combination.

## AC13 AHRI RATINGS

Model	Cooling Btuh	SEER	EER	Coil or Air Handler	Furnace	Expansion Device
AC13-042	42,000	13.00	11.50	C33-50/60C	G71MPP-60C-090	26K35
AC13-042	42,000	13.00	11.50	C33-50/60C	G61MPV-60C-110	26K35
AC13-042	42,000	13.00	11.50	C33-50/60C	G71MPP-60C-110	26K35
AC13-042	42,000	13.50	11.50	C33-43C	G61MPV-60C-091	26K35
AC13-042	42,000	13.50	11.50	C33-43C	G61MPV-60C-111	26K35
AC13-042	42,000	13.50	11.50	C33-49C	G61MPV-60C-091	26K35
AC13-042	42,000	13.50	11.50	C33-49C	G61MPV-60C-111	26K35
AC13-042	42,000	14.00	11.50	C33-43C	G60UHV-60C-110	26K35
AC13-042	42,000	14.00	11.50	C33-50/60C	G60UHV-60C-110	26K35
AC13-042	42,000	14.00	12.00	C33-43C	G60UHV-60C-090	26K35
AC13-042	42,000	14.00	12.00	C33-49C	G60UHV-60C-110	26K35
AC13-042	42,000	14.00	12.00	C33-50/60C	G60UHV-60C-090	26K35
<b>Downflow Indoor Coils with TXV</b>						
AC13-042	41,500	13.00	11.00	CR33-50/60C-F		26K35
AC13-042	41,500	13.00	11.00	CR33-60D-F		26K35
<b>Downflow Indoor Coils with TXV + Furnace</b>						
AC13-042	41,500	14.00	12.00	CR33-60D-F	G61MPV-60D-135	26K35
AC13-042	41,500	14.00	12.00	CR33-60D-F	G71MPP-60D-135	26K35
AC13-042	42,000	13.00	11.50	CR33-50/60C-F	G61MPV-60C-090	26K35
AC13-042	42,000	13.00	11.50	CR33-50/60C-F	G71MPP-60C-090	26K35
AC13-042	42,000	13.00	11.50	CR33-50/60C-F	G61MPV-60C-110	26K35
AC13-042	42,000	13.00	11.50	CR33-50/60C-F	G71MPP-60C-110	26K35
AC13-042	42,000	14.00	11.50	CR33-50/60C-F	G60DFV-60C-110	26K35
AC13-042	42,000	14.00	12.00	CR33-50/60C-F	G60DFV-60C-090	26K35
AC13-042	42,500	14.00	12.00	CR33-60D-F	G60DFV-60D-135	26K35
<b>Horizontal Indoor Coils with TXV</b>						
AC13-042	41,500	13.00	11.00	CH33-48C-2F		26K35
AC13-042	42,500	13.00	11.00	CH33-50/60C-2F		26K35
<b>Horizontal Indoor Coils with TXV + Furnace</b>						
AC13-042	42,000	13.00	11.50	CH33-48C-2F	G60UHV-36B-090	26K35
AC13-042	42,000	13.50	11.50	CH33-48C-2F	G61MPV-60C-091	26K35
AC13-042	42,000	13.50	11.50	CH33-48C-2F	G61MPV-60C-111	26K35
AC13-042	42,000	14.00	12.00	CH33-50/60C-2F	G61MPV-60C-111	26K35
AC13-042	42,500	13.50	11.50	CH33-50/60C-2F	G61MPV-60C-091	26K35
AC13-042	42,500	14.00	12.00	CH33-50/60C-2F	G60UHV-60C-090	26K35
<b>Air Handlers with TXV</b>						
AC13-042	40,000	13.00	11.00	CB30M-46		Factory TXV
AC13-042	40,000	13.00	11.00	CB26UH-042-R		26K35
AC13-042	40,000	13.00	11.00	CB30M-41		26K35
AC13-042	42,000	13.00	11.00	CB30M-51		Factory TXV
AC13-042	42,000	14.00	12.00	CB27UH-042		Factory TXV
AC13-042	42,000	14.00	12.00	CBX40UH-042		26K35
AC13-042	42,000	14.00	12.00	CB27UH-048		Factory TXV

### NOTES:

Ratings are certified in accordance with USE certification program which is based on AHRI Standard 210/240; 95°F outdoor air temperature, 80°F db / 67°F wb entering evaporator air with 25 ft. of connecting refrigerant lines.

All ratings include the use of a blower time-off delay. All Lennox variable-speed furnaces and Air Handlers have time-off delay capabilities. Other furnaces and Air Handlers may require an optional time delay relay (58M81) for field installation. See furnace or air handler specifications to determine if relay is needed.

Expansion Devices – If "Factory TXV" is listed, no change is required. If a catalog number is listed, the factory installed RFC or expansion valve on the indoor coil must be replaced with the expansion valve (ordered separately) or RFC (shipped with air conditioner) listed.

\*Most popular combination.



## AC13 AHRI RATINGS

Model	Cooling Btuh	SEER	EER	Coil or Air Handler	Furnace	Expansion Device
AC13-042	42,500	13.00	11.50	CBX32MV-048		26K35
AC13-042	42,500	13.00	11.50	CBX40UHV-048		26K35
<b>Upflow Indoor Coils with RFC</b>						
AC13-042	41,000	13.00	11.00	C33-50/60C		0.080 (10W86)
AC13-042	41,500	13.00	11.00	C33-43B/C		0.080 (10W86)
AC13-042	42,000	13.00	11.00	C33-49C		0.080 (10W86)
<b>Upflow Indoor Coils with RFC + Furnace</b>						
AC13-042	41,500	13.00	11.00	C33-43B	G61MPV-36B-070	0.080 (10W86)
AC13-042	41,500	13.00	11.00	C33-43B	G71MPP-36B-070	0.080 (10W86)
AC13-042	41,500	14.00	11.50	C33-50/60C	G60UHV-60C-090	0.080 (10W86)
AC13-042	42,000	13.00	11.50	C33-43B	G60UHV-36B-090	0.080 (10W86)
AC13-042	42,000	13.00	11.50	C33-43C	G61MPV-60C-090	0.080 (10W86)
AC13-042	42,000	13.00	11.50	C33-43C	G71MPP-60C-090	0.080 (10W86)
AC13-042	42,000	13.00	11.50	C33-43C	G61MPV-60C-110	0.080 (10W86)
AC13-042	42,000	13.00	11.50	C33-43C	G71MPP-60C-110	0.080 (10W86)
AC13-042	42,000	13.00	11.50	C33-49C	G61MPV-60C-090	0.080 (10W86)
AC13-042	42,000	13.00	11.50	C33-49C	G71MPP-60C-090	0.080 (10W86)
AC13-042	42,000	13.00	11.50	C33-49C	G61MPV-60C-110	0.080 (10W86)
AC13-042	42,000	13.00	11.50	C33-49C	G71MPP-60C-110	0.080 (10W86)
AC13-042	42,000	13.00	11.50	C33-50/60C	G60UHV-60C-110	0.080 (10W86)
AC13-042	42,000	13.00	11.50	C33-50/60C	G61MPV-60C-090	0.080 (10W86)
AC13-042	42,000	13.00	11.50	C33-50/60C	G71MPP-60C-090	0.080 (10W86)
AC13-042	42,000	13.00	11.50	C33-50/60C	G61MPV-60C-110	0.080 (10W86)
AC13-042	42,000	13.00	11.50	C33-50/60C	G71MPP-60C-110	0.080 (10W86)
AC13-042	42,000	13.00	12.00	C33-49C	G60UHV-60C-110	0.080 (10W86)
AC13-042	42,000	14.00	11.50	C33-43C	G60UHV-60C-110	0.080 (10W86)
AC13-042	42,000	14.00	12.00	C33-43C	G60UHV-60C-090	0.080 (10W86)
<b>Horizontal Indoor Coils with RFC</b>						
AC13-042	41,000	13.00	11.00	CH33-48C-2F		0.080 (10W86)
AC13-042	41,500	13.00	11.00	CH33-50/60C-2F		0.080 (10W86)
<b>Horizontal Indoor Coils with RFC + Furnace</b>						
AC13-042	41,500	13.00	11.50	CH33-48C-2F	G60UHV-36B-090	0.080 (10W86)
AC13-042	41,500	14.00	11.50	CH33-50/60C-2F	G61MPV-60C-110	0.080 (10W86)
AC13-042	41,500	14.00	11.50	CH33-50/60C-2F	G71MPP-60C-110	0.080 (10W86)
AC13-042	42,000	13.00	11.50	CH33-48C-2F	G61MPV-60C-090	0.080 (10W86)
AC13-042	42,000	13.00	11.50	CH33-48C-2F	G71MPP-60C-090	0.080 (10W86)
AC13-042	42,000	13.00	11.50	CH33-48C-2F	G61MPV-60C-110	0.080 (10W86)
AC13-042	42,000	13.00	11.50	CH33-48C-2F	G71MPP-60C-110	0.080 (10W86)
AC13-042	42,000	14.00	11.50	CH33-50/60C-2F	G60UHV-60C-090	0.080 (10W86)
AC13-042	42,500	13.00	11.50	CH33-50/60C-2F	G61MPV-60C-090	0.080 (10W86)
AC13-042	42,500	13.00	11.50	CH33-50/60C-2F	G71MPP-60C-090	0.080 (10W86)
<b>Air Handlers with RFC</b>						
AC13-042	41,000	13.00	11.00	CB26UH-042-R		0.080 (10W86)

### NOTES:

Ratings are certified in accordance with USE certification program which is based on AHRI Standard 210/240; 95°F outdoor air temperature, 80°F db / 67°F wb entering evaporator air with 25 ft. of connecting refrigerant lines.

All ratings include the use of a blower time-off delay. All Lennox variable-speed furnaces and Air Handlers have time-off delay capabilities. Other furnaces and Air Handlers may require an optional time delay relay (58M81) for field installation. See furnace or air handler specifications to determine if relay is needed.

Expansion Devices – If "Factory TXV" is listed, no change is required. If a catalog number is listed, the factory installed RFC or expansion valve on the indoor coil must be replaced with the expansion valve (ordered separately) or RFC (shipped with air conditioner) listed.

\*Most popular combination.

## AC13 AHRI RATINGS

Model	Cooling Btuh	SEER	EER	Coil or Air Handler	Furnace	Expansion Device
<b>Upflow Indoor Coils with TXV</b>						
AC130-048	44,500	13.00	11.00	C33-48B		91M01
AC130-048	45,500	13.00	11.00	C33-43B/C		91M01
AC130-048	45,500	13.00	11.00	* C33-50/60C		91M01
AC130-048	45,500	13.00	11.50	C33-49C		91M01
AC130-048	46,000	13.00	11.00	C33-60D		91M01
AC130-048	46,500	13.00	11.00	C33-62D		91M01
AC130-048	47,500	13.00	11.50	C33-62C		91M01
<b>Upflow Indoor Coils with TXV + Furnace</b>						
AC130-048	45,000	13.00	11.00	C33-48C	G61MPV-60C-090	91M01
AC130-048	45,000	13.00	11.00	C33-48C	G71MPP-60C-090	91M01
AC130-048	45,500	13.00	11.00	C33-43C	G61MPV-60C-091	91M01
AC130-048	45,500	13.00	11.00	C33-48C	G60UHV-60C-090	91M01
AC130-048	45,500	13.00	11.50	C33-43C	G60UHV-60C-110	91M01
AC130-048	45,500	13.00	11.50	C33-43C	G61MPV-60C-111	91M01
AC130-048	45,500	13.00	11.50	C33-48C	G60UHV-60C-110	91M01
AC130-048	45,500	13.00	11.50	C33-48C	G61MPV-60C-110	91M01
AC130-048	45,500	13.00	11.50	C33-48C	G71MPP-60C-110	91M01
AC130-048	45,500	13.00	11.50	C33-49C	G60UHV-60C-110	91M01
AC130-048	45,500	13.00	11.50	C33-49C	G61MPV-60C-091	91M01
AC130-048	45,500	13.00	11.50	C33-49C	G61MPV-60C-111	91M01
AC130-048	46,000	13.00	11.00	C33-50/60C	G61MPV-60C-091	91M01
AC130-048	46,000	13.00	11.50	C33-43C	G60UHV-60C-090	91M01
AC130-048	46,000	13.00	11.50	C33-49C	G60UHV-60C-090	91M01
AC130-048	46,000	13.00	11.50	C33-50/60C	G60UHV-60C-090	91M01
AC130-048	46,000	13.00	11.50	C33-50/60C	G60UHV-60C-110	91M01
AC130-048	46,000	13.00	11.50	C33-50/60C	G61MPV-60C-111	91M01
AC130-048	46,500	14.00	12.00	C33-60D	G60UHV-60D-135	91M01
AC130-048	47,000	13.50	11.60	C33-62C	G61MPV-60C-091	91M01
AC130-048	47,000	13.50	11.60	C33-62C	G61MPV-60C-111	91M01
AC130-048	47,000	14.00	12.00	C33-62D	G60UHV-60D-135	91M01
AC130-048	47,500	14.00	12.00	C33-62C	G60UHV-60C-110	91M01
AC130-048	48,000	14.00	12.00	C33-62C	G60UHV-60C-090	91M01
<b>Downflow Indoor Coils with TXV</b>						
AC130-048	45,500	13.00	11.00	CR33-50/60C-F		91M01
AC130-048	45,500	13.00	11.00	CR33-60D-F		91M01
<b>Downflow Indoor Coils with TXV + Furnace</b>						
AC130-048	46,000	13.00	11.50	CR33-50/60C-F	G60DFV-60C-110	91M01
AC130-048	46,000	13.00	11.50	CR33-50/60C-F	G61MPV-60C-090	91M01
AC130-048	46,000	13.00	11.50	CR33-50/60C-F	G71MPP-60C-090	91M01
AC130-048	46,000	13.00	11.60	CR33-60D-F	G60DFV-60D-135	91M01
AC130-048	46,000	13.00	11.60	CR33-60D-F	G61MPV-60D-135	91M01
AC130-048	46,000	13.00	11.60	CR33-60D-F	G71MPP-60D-135	91M01

### NOTES:

Ratings are certified in accordance with USE certification program which is based on AHRI Standard 210/240; 95°F outdoor air temperature, 80°F db / 67°F wb entering evaporator air with 25 ft. of connecting refrigerant lines.

All ratings include the use of a blower time-off delay. All Lennox variable-speed furnaces and Air Handlers have time-off delay capabilities. Other furnaces and Air Handlers may require an optional time delay relay (58M81) for field installation. See furnace or air handler specifications to determine if relay is needed.

Expansion Devices – If "Factory TXV" is listed, no change is required. If a catalog number is listed, the factory installed RFC or expansion valve on the indoor coil must be replaced with the expansion valve (ordered separately) or RFC (shipped with air conditioner) listed.

\*Most popular combination.

## AC13 AHRI RATINGS

Model	Cooling Btuh	SEER	EER	Coil or Air Handler	Furnace	Expansion Device
AC130-048	46,000	13.50	11.50	CR33-50/60C-F	G61MPV-60C-111	91M01
AC130-048	46,500	13.00	11.50	CR33-50/60C-F	G60DFV-60C-090	91M01

### Horizontal Indoor Coils with TXV

AC130-048	46,000	13.00	11.00	CH33-43C-2F		91M01
AC130-048	46,000	13.00	11.00	CH33-48C-2F		91M01
AC130-048	46,000	13.00	11.00	CH33-49C-2F		91M01
AC130-048	46,000	13.00	11.00	CH33-60D-2F		91M01
AC130-048	46,500	13.00	11.00	CH23-68		91M01
AC130-048	46,000	13.00	11.00	CH33-62D-2F		91M01
AC130-048	46,500	13.00	11.00	CH33-50/60C-2F		91M01

### Horizontal Indoor Coils with TXV + Furnace

AC130-048	45,000	13.50	11.60	CH33-50/60C-2F	G60UHV-60C-090	91M01
AC130-048	46,000	13.00	11.00	CH33-48C-2F	G61MPV-60C-091	91M01
AC130-048	46,000	13.00	11.00	CH33-50/60C-2F	G61MPV-60C-091	91M01
AC130-048	46,000	13.00	11.50	CH33-48C-2F	G61MPV-60C-111	91M01
AC130-048	46,000	13.00	11.60	CH33-48C-2F	G60UHV-60C-110	91M01
AC130-048	46,000	13.50	11.60	CH33-43C-2F	G60UHV-60C-110	91M01
AC130-048	46,000	13.50	11.60	CH33-43C-2F	G61MPV-60C-110	91M01
AC130-048	46,000	13.50	11.60	CH33-43C-2F	G71MPP-60C-110	91M01
AC130-048	46,000	13.50	11.60	CH33-43C-2F	G61MPV-60C-111	91M01
AC130-048	46,000	13.50	11.60	CH33-50/60C-2F	G61MPV-60C-111	91M01
AC130-048	46,500	13.00	11.50	CH33-43C-2F	G61MPV-60C-091	91M01
AC130-048	46,500	13.00	11.50	CH33-49C-2F	G61MPV-60C-091	91M01
AC130-048	46,500	13.00	11.50	CH33-62D-2F	G61MPV-60C-091	91M01
AC130-048	46,500	13.00	11.60	CH33-48C-2F	G60UHV-60C-090	91M01
AC130-048	46,500	13.00	11.60	CH33-50/60C-2F	G60UHV-60C-110	91M01
AC130-048	46,500	13.50	11.60	CH33-43C-2F	G60UHV-60C-090	91M01
AC130-048	46,500	13.50	11.60	CH33-49C-2F	G60UHV-60C-090	91M01
AC130-048	46,500	13.50	11.60	CH33-49C-2F	G60UHV-60C-110	91M01
AC130-048	46,500	13.50	11.60	CH33-49C-2F	G61MPV-60C-090	91M01
AC130-048	46,500	13.50	11.60	CH33-49C-2F	G71MPP-60C-090	91M01
AC130-048	46,500	13.50	11.60	CH33-49C-2F	G61MPV-60C-110	91M01
AC130-048	46,500	13.50	11.60	CH33-49C-2F	G71MPP-60C-110	91M01
AC130-048	46,500	13.50	11.60	CH33-62D-2F	G60UHV-60C-110	91M01
AC130-048	46,500	13.50	11.60	CH33-62D-2F	G61MPV-60C-090	91M01
AC130-048	46,500	13.50	11.60	CH33-62D-2F	G71MPP-60C-090	91M01
AC130-048	46,500	13.50	11.60	CH33-62D-2F	G61MPV-60C-110	91M01
AC130-048	46,500	13.50	11.60	CH33-62D-2F	G71MPP-60C-110	91M01
AC130-048	46,500	13.50	11.60	CH33-62D-2F	G61MPV-60C-111	91M01
AC130-048	46,500	14.00	12.00	CH33-60D-2F	G60UHV-60D-135	91M01
AC130-048	46,500	14.00	12.00	CH33-62D-2F	G60UHV-60C-090	91M01
AC130-048	47,000	13.50	11.60	CH33-49C-2F	G61MPV-60C-111	91M01
AC130-048	47,000	14.00	12.00	CH23-68	G60UHV-60D-135	91M01

#### NOTES:

Ratings are certified in accordance with USE certification program which is based on AHRI Standard 210/240; 95°F outdoor air temperature, 80°F db / 67°F wb entering evaporator air with 25 ft. of connecting refrigerant lines.

All ratings include the use of a blower time-off delay. All Lennox variable-speed furnaces and Air Handlers have time-off delay capabilities. Other furnaces and Air Handlers may require an optional time delay relay (58M81) for field installation. See furnace or air handler specifications to determine if relay is needed.

Expansion Devices – If "Factory TXV" is listed, no change is required. If a catalog number is listed, the factory installed RFC or expansion valve on the indoor coil must be replaced with the expansion valve (ordered separately) or RFC (shipped with air conditioner) listed.

\*Most popular combination.

## AC13 AHRI RATINGS

Model	Cooling Btuh	SEER	EER	Coil or Air Handler	Furnace	Expansion Device
<b>Air Handlers with TXV</b>						
AC130-048	45,000	13.00	11.50	CB26UH-048		Factory TXV
AC130-048	45,000	13.00	11.50	CB30M-51		Factory TXV
AC130-048	45,500	13.00	11.50	CB30M-46		Factory TXV
AC130-048	45,500	13.50	11.60	CB27UH-048		Factory TXV
AC130-048	45,500	13.50	11.60	CB27UH-060		91M01
AC130-048	46,000	13.00	11.50	CBX32MV-048		91M01
AC130-048	46,000	13.00	11.50	CBX40UHV-048		91M01
AC130-048	46,500	13.00	11.50	CB30M-65		Factory TXV
AC130-048	46,500	13.00	11.60	CBX32MV-060		91M01
AC130-048	46,500	13.00	11.60	CBX40UHV-060		91M01
<b>Upflow Indoor Coils with RFC</b>						
AC130-048	45,500	13.00	11.00	C33-43B/C		0.080 (98M14)
AC130-048	45,500	13.00	11.00	C33-50/60C		0.080 (98M14)
AC130-048	46,000	13.00	11.00	C33-49C		0.080 (98M14)
AC130-048	46,000	13.00	11.00	C33-60D		0.080 (98M14)
AC130-048	46,500	13.00	11.00	C33-62D		0.080 (98M14)
AC130-048	47,000	13.00	11.00	C33-62C		0.080 (98M14)
<b>Upflow Indoor Coils with RFC + Furnace</b>						
AC130-048	45,500	13.00	11.00	C33-50/60C	G61MPV-60C-090	0.080 (98M14)
AC130-048	45,500	13.00	11.00	C33-50/60C	G71MPP-60C-090	0.080 (98M14)
AC130-048	45,500	13.00	11.00	C33-50/60C	G61MPV-60C-110	0.080 (98M14)
AC130-048	45,500	13.00	11.00	C33-50/60C	G71MPP-60C-110	0.080 (98M14)
AC130-048	45,500	13.00	11.50	C33-43C	G60UHV-60C-110	0.080 (98M14)
AC130-048	45,500	13.00	11.50	C33-43C	G61MPV-60C-090	0.080 (98M14)
AC130-048	45,500	13.00	11.50	C33-43C	G71MPP-60C-090	0.080 (98M14)
AC130-048	45,500	13.00	11.50	C33-43C	G61MPV-60C-110	0.080 (98M14)
AC130-048	45,500	13.00	11.50	C33-43C	G71MPP-60C-110	0.080 (98M14)
AC130-048	45,500	13.00	11.50	C33-49C	G60UHV-60C-110	0.080 (98M14)
AC130-048	45,500	13.00	11.50	C33-49C	G61MPV-60C-090	0.080 (98M14)
AC130-048	45,500	13.00	11.50	C33-49C	G71MPP-60C-090	0.080 (98M14)
AC130-048	45,500	13.00	11.50	C33-49C	G61MPV-60C-110	0.080 (98M14)
AC130-048	45,500	13.00	11.50	C33-49C	G71MPP-60C-110	0.080 (98M14)
AC130-048	45,500	13.00	11.50	C33-50/60C	G60UHV-60C-110	0.080 (98M14)
AC130-048	46,000	13.00	11.60	C33-43C	G60UHV-60C-090	0.080 (98M14)
AC130-048	46,000	13.00	11.60	C33-49C	G60UHV-60C-090	0.080 (98M14)
AC130-048	46,000	13.00	11.60	C33-50/60C	G60UHV-60C-090	0.080 (98M14)
AC130-048	46,000	14.00	11.60	C33-60D	G61MPV-60D-135	0.080 (98M14)
AC130-048	46,000	14.00	11.60	C33-60D	G71MPP-60D-135	0.080 (98M14)
AC130-048	46,500	14.00	12.00	C33-60D	G60UHV-60D-135	0.080 (98M14)
AC130-048	47,000	13.00	11.60	C33-62C	G61MPV-60C-090	0.080 (98M14)
AC130-048	47,000	13.00	11.60	C33-62C	G71MPP-60C-090	0.080 (98M14)
AC130-048	47,000	13.00	11.60	C33-62C	G61MPV-60C-110	0.080 (98M14)

### NOTES:

Ratings are certified in accordance with USE certification program which is based on AHRI Standard 210/240; 95°F outdoor air temperature, 80°F db / 67°F wb entering evaporator air with 25 ft. of connecting refrigerant lines.

All ratings include the use of a blower time-off delay. All Lennox variable-speed furnaces and Air Handlers have time-off delay capabilities. Other furnaces and Air Handlers may require an optional time delay relay (58M81) for field installation. See furnace or air handler specifications to determine if relay is needed.

Expansion Devices – If "Factory TXV" is listed, no change is required. If a catalog number is listed, the factory installed RFC or expansion valve on the indoor coil must be replaced with the expansion valve (ordered separately) or RFC (shipped with air conditioner) listed.

\*Most popular combination.

## AC13 AHRI RATINGS

Model	Cooling Btuh	SEER	EER	Coil or Air Handler	Furnace	Expansion Device
AC130-048	47,000	13.00	11.60	C33-62C	G71MPP-60C-110	0.080 (98M14)
AC130-048	47,000	14.00	12.00	C33-62C	G60UHV-60C-090	0.080 (98M14)
AC130-048	47,000	14.00	12.00	C33-62C	G60UHV-60C-110	0.080 (98M14)
AC130-048	47,000	14.00	12.00	C33-62D	G60UHV-60D-135	0.080 (98M14)
AC130-048	47,000	14.00	12.00	C33-62D	G61MPV-60D-135	0.080 (98M14)
AC130-048	47,000	14.00	12.00	C33-62D	G71MPP-60D-135	0.080 (98M14)

### Horizontal Indoor Coils with RFC

AC130-048	45,500	13.00	11.00	CH33-48C-2F		0.080 (98M14)
AC130-048	45,500	13.00	11.00	CH33-60D-2F		0.080 (98M14)
AC130-048	46,000	13.00	11.00	CH23-68		0.080 (98M14)
AC130-048	46,000	13.00	11.00	CH33-50/60C-2F		0.080 (98M14)
AC130-048	46,000	13.00	11.00	CH33-62D-2F		0.080 (98M14)

### Horizontal Indoor Coils with RFC + Furnace

AC130-048	45,500	13.00	11.00	CH33-48C-2F	G61MPV-60C-090	0.080 (98M14)
AC130-048	45,500	13.00	11.00	CH33-48C-2F	G71MPP-60C-090	0.080 (98M14)
AC130-048	45,500	13.00	11.00	CH33-48C-2F	G61MPV-60C-110	0.080 (98M14)
AC130-048	45,500	13.00	11.00	CH33-48C-2F	G71MPP-60C-110	0.080 (98M14)
AC130-048	45,500	13.00	11.50	CH33-48C-2F	G60UHV-60C-110	0.080 (98M14)
AC130-048	46,000	13.00	11.50	CH33-50/60C-2F	G61MPV-60C-090	0.080 (98M14)
AC130-048	46,000	13.00	11.50	CH33-50/60C-2F	G71MPP-60C-090	0.080 (98M14)
AC130-048	46,000	13.00	11.50	CH33-50/60C-2F	G61MPV-60C-110	0.080 (98M14)
AC130-048	46,000	13.00	11.50	CH33-50/60C-2F	G71MPP-60C-110	0.080 (98M14)
AC130-048	46,000	13.00	11.60	CH33-48C-2F	G60UHV-60C-090	0.080 (98M14)
AC130-048	46,000	13.00	11.60	CH33-50/60C-2F	G60UHV-60C-110	0.080 (98M14)
AC130-048	46,000	13.00	11.60	CH33-60D-2	G61MPV-60D-135	0.080 (98M14)
AC130-048	46,000	13.00	11.60	CH33-60D-2	G71MPP-60D-135	0.080 (98M14)
AC130-048	46,000	14.00	12.00	CH33-60D-2F	G60UHV-60D-135	0.080 (98M14)
AC130-048	46,500	13.00	11.60	CH33-50/60C-2F	G60UHV-60C-090	0.080 (98M14)
AC130-048	46,500	13.50	11.60	CH23-68	G61MPV-60D-135	0.080 (98M14)
AC130-048	46,500	13.50	11.60	CH23-68	G71MPP-60D-135	0.080 (98M14)
AC130-048	46,500	14.00	11.60	CH33-62D-2F	G61MPV-60D-135	0.080 (98M14)
AC130-048	46,500	14.00	11.60	CH33-62D-2F	G71MPP-60D-135	0.080 (98M14)
AC130-048	46,500	14.00	12.00	CH23-68	G60UHV-60D-135	0.080 (98M14)
AC130-048	46,500	14.00	12.00	CH33-62D-2F	G60UHV-60D-135	0.080 (98M14)

### Upflow Indoor Coils with TXV

AC13-060	57,500	13.00	11.00	C33-60D		91M01
AC13-060	58,000	13.00	11.00	* C33-49C		91M01
AC13-060	58,500	13.00	11.00	C33-62D		91M01
AC13-060	59,000	13.00	11.00	C33-62C		91M01

### Upflow Indoor Coils with TXV + Furnace

AC13-060	58,000	13.00	11.00	C33-60D	G61MPV-60D-135	91M01
AC13-060	58,000	13.00	11.00	C33-60D	G71MPP-60D-135	91M01
AC13-060	58,000	14.00	11.50	C33-62D	G60UHV-60D-135	91M01

#### NOTES:

Ratings are certified in accordance with USE certification program which is based on AHRI Standard 210/240; 95°F outdoor air temperature, 80°F db / 67°F wb entering evaporator air with 25 ft. of connecting refrigerant lines.

All ratings include the use of a blower time-off delay. All Lennox variable-speed furnaces and Air Handlers have time-off delay capabilities. Other furnaces and Air Handlers may require an optional time delay relay (58M81) for field installation. See furnace or air handler specifications to determine if relay is needed.

Expansion Devices – If "Factory TXV" is listed, no change is required. If a catalog number is listed, the factory installed RFC or expansion valve on the indoor coil must be replaced with the expansion valve (ordered separately) or RFC (shipped with air conditioner) listed.

\*Most popular combination.

## AC13 AHRI RATINGS

Model	Cooling Btuh	SEER	EER	Coil or Air Handler	Furnace	Expansion Device
AC13-060	58,500	13.00	11.00	C33-49C	G60UHV-60C-110	91M01
AC13-060	58,500	13.00	11.00	C33-49C	G61MPV-60C-110	91M01
AC13-060	58,500	13.00	11.00	C33-49C	G71MPP-60C-110	91M01
AC13-060	58,500	13.00	11.00	C33-62C	G61MPV-60C-091	91M01
AC13-060	59,000	13.00	11.00	C33-49C	G60UHV-60C-090	91M01
AC13-060	59,000	13.00	11.50	C33-60D	G60UHV-60D-135	91M01
AC13-060	59,000	13.00	11.50	C33-62D	G61MPV-60D-135	91M01
AC13-060	59,000	13.00	11.50	C33-62D	G71MPP-60D-135	91M01
AC13-060	59,000	13.50	11.00	C33-62C	G61MPV-60C-111	91M01
AC13-060	59,500	13.00	11.50	C33-62C	G60UHV-60C-110	91M01
AC13-060	60,000	13.00	11.50	C33-62C	G60UHV-60C-090	91M01

### Downflow Indoor Coils with TXV

AC13-060	56,000	13.00	10.90	CR33-60D-F		91M01
----------	--------	-------	-------	------------	--	-------

### Downflow Indoor Coils with TXV + Furnace

AC13-060	57,000	13.00	11.00	CR33-60D-F	G61MPV-60D-135	91M01
AC13-060	57,000	13.00	11.00	CR33-60D-F	G71MPP-60D-135	91M01
AC13-060	57,500	13.00	11.00	CR33-60D-F	G60DFV-60D-135	91M01

### Horizontal Indoor Coils with TXV

AC13-060	57,500	13.00	11.00	CH33-62D-2F		91M01
AC13-060	57,500	13.00	11.00	CH33-60D-2F		91M01
AC13-060	58,000	13.00	11.00	CH23-68		91M01
AC13-060	58,000	13.00	11.00	CH33-50/60C-2F		91M01

### Horizontal Indoor Coils with TXV + Furnace

AC13-060	58,000	13.00	11.00	CH33-50/60C-2F	G60UHV-60C-110	91M01
AC13-060	58,000	13.00	11.00	CH33-50/60C-2F	G61MPV-60C-110	91M01
AC13-060	58,000	13.00	11.00	CH33-50/60C-2F	G71MPP-60C-110	91M01
AC13-060	58,000	13.00	11.00	CH33-60D-2F	G61MPV-60D-135	91M01
AC13-060	58,000	13.00	11.00	CH33-60D-2F	G71MPP-60D-135	91M01
AC13-060	58,000	13.00	11.00	CH33-62D-2F	G61MPV-60D-135	91M01
AC13-060	58,000	13.00	11.00	CH33-62D-2F	G71MPP-60D-135	91M01
AC13-060	58,500	13.00	11.00	CH33-50/60C-2F	G60UHV-60C-090	91M01
AC13-060	58,500	13.00	11.50	CH33-60D-2F	G60UHV-60D-135	91M01
AC13-060	59,500	13.00	11.50	CH23-68	G60UHV-60D-135	91M01

### Air Handlers with TXV

AC13-060	55,500	13.00	11.00	CB30M-51		91M01
AC13-060	57,000	13.00	11.00	CB26UH-060-R		91M01
AC13-060	57,000	13.00	11.00	CBX32MV-048		91M01
AC13-060	57,000	13.00	11.00	CBX40UHV-048		91M01
AC13-060	57,500	13.00	11.00	CB27UH-060		Factory TXV
AC13-060	57,500	13.00	11.00	CB30M-65		91M01
AC13-060	58,000	13.00	11.00	CBX32MV-060		91M01
AC13-060	58,000	13.00	11.00	CBX40UHV-060		91M01

#### NOTES:

Ratings are certified in accordance with USE certification program which is based on AHRI Standard 210/240; 95°F outdoor air temperature, 80°F db / 67°F wb entering evaporator air with 25 ft. of connecting refrigerant lines.

All ratings include the use of a blower time-off delay. All Lennox variable-speed furnaces and Air Handlers have time-off delay capabilities. Other furnaces and Air Handlers may require an optional time delay relay (58M81) for field installation. See furnace or air handler specifications to determine if relay is needed.

Expansion Devices – If "Factory TXV" is listed, no change is required. If a catalog number is listed, the factory installed RFC or expansion valve on the indoor coil must be replaced with the expansion valve (ordered separately) or RFC (shipped with air conditioner) listed.

\*Most popular combination.

## AC13 AHRI RATINGS

Model	Cooling Btuh	SEER	EER	Coil or Air Handler	Furnace	Expansion Device
<b>Upflow Indoor Coils with RFC</b>						
AC13-060	57,500	13.00	11.00	C33-60D		0.099 (98M15)
AC13-060	58,000	13.00	11.00	C33-49C		0.099 (98M15)
AC13-060	58,500	13.00	11.00	C33-62D		0.099 (98M15)
AC13-060	59,000	13.00	11.00	C33-62C		0.099 (98M15)
<b>Upflow Indoor Coils with RFC + Furnace</b>						
AC13-060	58,000	13.00	11.00	C33-49C	G60UHV-60C-110	0.099 (98M15)
AC13-060	58,000	13.00	11.00	C33-49C	G61MPV-60C-110	0.099 (98M15)
AC13-060	58,000	13.00	11.00	C33-49C	G71MPP-60C-110	0.099 (98M15)
AC13-060	58,000	13.00	11.00	C33-60D	G61MPV-60D-135	0.099 (98M15)
AC13-060	58,000	13.00	11.00	C33-60D	G71MPP-60D-135	0.099 (98M15)
AC13-060	58,500	13.00	11.00	C33-49C	G60UHV-60C-090	0.099 (98M15)
AC13-060	59,000	13.00	11.50	C33-60D	G60UHV-60D-135	0.099 (98M15)
AC13-060	59,000	13.00	11.50	C33-62D	G61MPV-60D-135	0.099 (98M15)
AC13-060	59,000	13.00	11.50	C33-62D	G71MPP-60D-135	0.099 (98M15)
AC13-060	59,500	13.00	11.00	C33-62C	G61MPV-60C-090	0.099 (98M15)
AC13-060	59,500	13.00	11.00	C33-62C	G71MPP-60C-090	0.099 (98M15)
AC13-060	59,500	13.00	11.50	C33-62C	G60UHV-60C-090	0.099 (98M15)
AC13-060	59,500	13.00	11.50	C33-62C	G60UHV-60C-110	0.099 (98M15)
AC13-060	59,500	13.00	11.50	C33-62C	G61MPV-60C-110	0.099 (98M15)
AC13-060	59,500	13.00	11.50	C33-62C	G71MPP-60C-110	0.099 (98M15)
AC13-060	60,000	13.00	11.50	C33-62D	G60UHV-60D-135	0.099 (98M15)
<b>Horizontal Indoor Coils with RFC</b>						
AC13-060	57,000	13.00	11.00	CH33-50/60C-2F		0.099 (98M15)
AC13-060	57,000	13.00	11.00	CH33-62D-2F		0.099 (98M15)
AC13-060	57,500	13.00	11.00	CH23-68		0.099 (98M15)
<b>Horizontal Indoor Coils with RFC + Furnace</b>						
AC13-060	57,500	13.00	11.00	CH33-50/60C-2F	G61MPV-60C-110	0.099 (98M15)
AC13-060	57,500	13.00	11.00	CH33-50/60C-2F	G71MPP-60C-110	0.099 (98M15)
AC13-060	57,500	13.00	11.00	CH33-60D-2F	G61MPV-60D-135	0.099 (98M15)
AC13-060	57,500	13.00	11.00	CH33-60D-2F	G71MPP-60D-135	0.099 (98M15)
AC13-060	58,000	13.00	11.00	CH33-50/60C-2F	G60UHV-60C-090	0.099 (98M15)
AC13-060	58,000	13.00	11.00	CH33-50/60C-2F	G60UHV-60C-110	0.099 (98M15)
AC13-060	58,000	13.00	11.00	CH33-62D-2F	G61MPV-60D-135	0.099 (98M15)
AC13-060	58,000	13.00	11.00	CH33-62D-2F	G71MPP-60D-135	0.099 (98M15)
AC13-060	58,500	13.00	11.00	CH33-62D-2F	G60UHV-60D-135	0.099 (98M15)
AC13-060	58,500	13.00	11.50	CH23-68	G61MPV-60D-135	0.099 (98M15)
AC13-060	58,500	13.00	11.50	CH23-68	G71MPP-60D-135	0.099 (98M15)
AC13-060	58,500	13.00	11.50	CH33-60D-2F	G60UHV-60D-135	0.099 (98M15)
AC13-060	59,000	13.00	11.50	CH23-68	G60UHV-60D-135	0.099 (98M15)
<b>Air Handlers with RFC</b>						
AC13-060	57,500	13.00	11.00	CB26UH-060-R		0.099 (98M15)

### NOTES:

Ratings are certified in accordance with USE certification program which is based on AHRI Standard 210/240; 95°F outdoor air temperature, 80°F db / 67°F wb entering evaporator air with 25 ft. of connecting refrigerant lines.

All ratings include the use of a blower time-off delay. All Lennox variable-speed furnaces and Air Handlers have time-off delay capabilities. Other furnaces and Air Handlers may require an optional time delay relay (58M81) for field installation. See furnace or air handler specifications to determine if relay is needed.

Expansion Devices – If "Factory TXV" is listed, no change is required. If a catalog number is listed, the factory installed RFC or expansion valve on the indoor coil must be replaced with the expansion valve (ordered separately) or RFC (shipped with air conditioner) listed.

\*Most popular combination.

## REVISIONS

AHRI Rating Tables

Updated format. Added ratings for CBX40UHV air handlers.



Visit us at [www.lennox.com](http://www.lennox.com)

For the latest technical information, [www.lennoxravenet.com](http://www.lennoxravenet.com)

Contact us at 1-800-4-LENNOX

NOTE - Due to Lennox' ongoing commitment to quality, Specifications, Ratings and Dimensions subject to change without notice and without incurring liability. Improper installation, adjustment, alteration, service or maintenance can cause property damage or personal injury. Installation and service must be performed by a qualified installer and servicing agency.

©2009 Lennox Industries, Inc.