

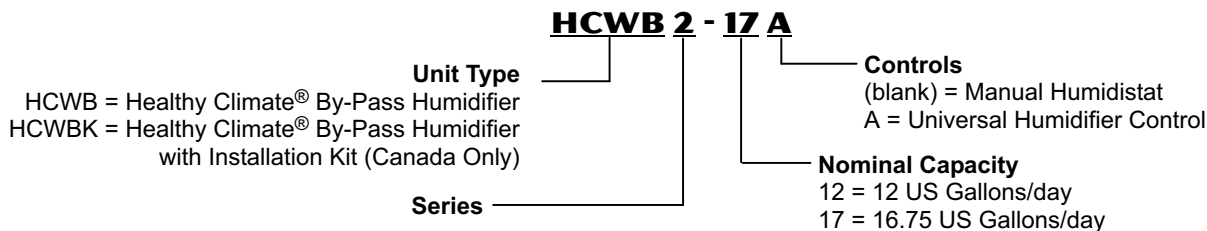


**ENGINEERING DATA**



Universal Humidifier Control  
(Furnished with "A" Models)

**MODEL NUMBER IDENTIFICATION**



**FEATURES**

**WARRANTY**

All covered components - limited warranty for **five years** in residential applications, one year in non-residential applications.

Refer to the Lennox Equipment Limited Warranty certificate included with the unit for additional details.

**APPLICATIONS**

Applicable to most forced air installations.

Installs on the supply air plenum with a by-pass duct from the return plenum in up-flow and horizontal applications.

Installs on the return air plenum with a by-pass duct from the supply plenum in down-flow applications. See Typical Applications.

Provides additional humidity to the home during the heating season to increase comfort level.

Humidifier, saddle valve and humidistat/universal humidifier control shipped in one package.

**APPROVALS**

Units are ETL listed per ANSI/UL 998 and CSA C22.2 No.104-01.

**SEQUENCE OF OPERATION**

Humidifier will only operate when indoor blower is operating.

When the level of moisture in the return air or living space area drops below the set point of the humidistat/universal control, the water solenoid valve opens, water flows into distribution tray and weeps down through the evaporator pad. By-pass air flows over the evaporator pad, increasing the humidity of the air, and then back into the return air stream. When the humidistat/universal control is satisfied the water solenoid valve closes.

**CABINET**

Rugged, corrosion resistant molded plastic.

Humidifier is shipped for left-hand by-pass duct connection.

For right-hand by-pass duct connection, rotate humidifier cabinet 180° top for bottom and relocate solenoid valve to alternate locations on cabinet. See Installation Instructions for additional details.

Built-in damper included to close off bypass duct during summer cooling operation.

## FEATURES

### CONTROLS

#### Humidistat - HCWB2-12, HCWBK2-12 and HCWB2-17

Horizontal or vertical mount on wall or in duct  
Provides manual control of room relative humidity.  
Wired in series with the humidifier water solenoid valve.  
Adjustable setting.

#### Universal Humidifier Control - HCWB2-12A, HCWBK2-12A, HCWB2-17A, and HCWBK2-17A

Wall or duct mounted.  
Automatic or manual control  
Senses indoor relative humidity and outdoor temperature.  
Includes outdoor temperature sensor for use with automatic control option.  
Adjusts humidity setpoint to provide optimum humidity levels within the space.  
Adjustable setting.

### INSTALLATION KIT (HCWBK2 MODELS ONLY)

For Canada Only  
Included with HCWBK2 models.  
Kit contains: 6 in. dia. duct ring flange, 2.5 ft. of 6 in. dia. galvanized steel flexible duct, 10 ft. of 1/4 in. OD polyethylene water feed tube, 15 ft. of 1/2 in. ID clear nylon drain tube, 10 ft. of 2-conductor 18 AWG thermostat wire, one hose clamp, two plastic compression sleeves, and two plastic compression ferrules.

### MAINTENANCE SUPPLIES

#### Replacement Media

Recommended annual replacement of media pad.  
See Specifications table for catalog number.

### WATER SUPPLY

Consists of copper tube assembly with orifice, cleanable/replaceable internal mesh strainer, distribution tray and 24 volt brass water solenoid valve with stainless steel seat.

#### Drain

1/2 in. drain fitting at bottom of cabinet.  
1/2 in. ID plastic tubing must be field provided for models without Installation Kit.  
Unused water from the evaporator pad is drained from the unit to help remove mineral deposits left from the evaporative process.

#### Equaflo™ Distribution Tray

Deep reservoir and unique channel design provides even water distribution across the evaporator media pad for optimal performance.

#### Evaporator Media Pad

Provides large evaporation capacity.  
Pad and support frame removable for cleaning or replacement.  
Annual pad replacement recommended.

#### Saddle Valve

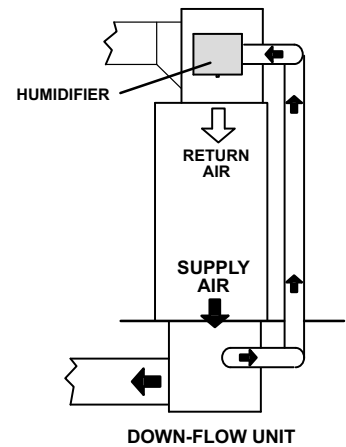
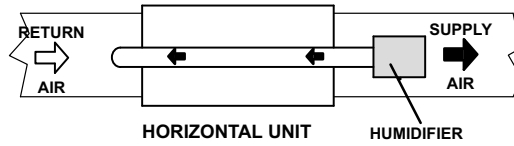
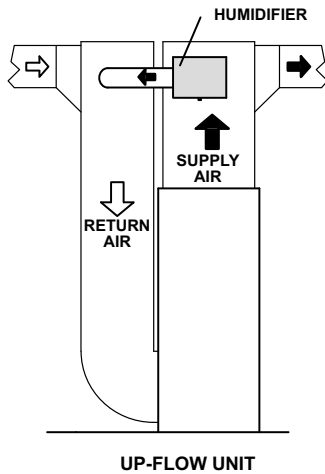
All necessary fittings furnished as standard equipment.  
Field installs in the water supply line.

## SPECIFICATIONS

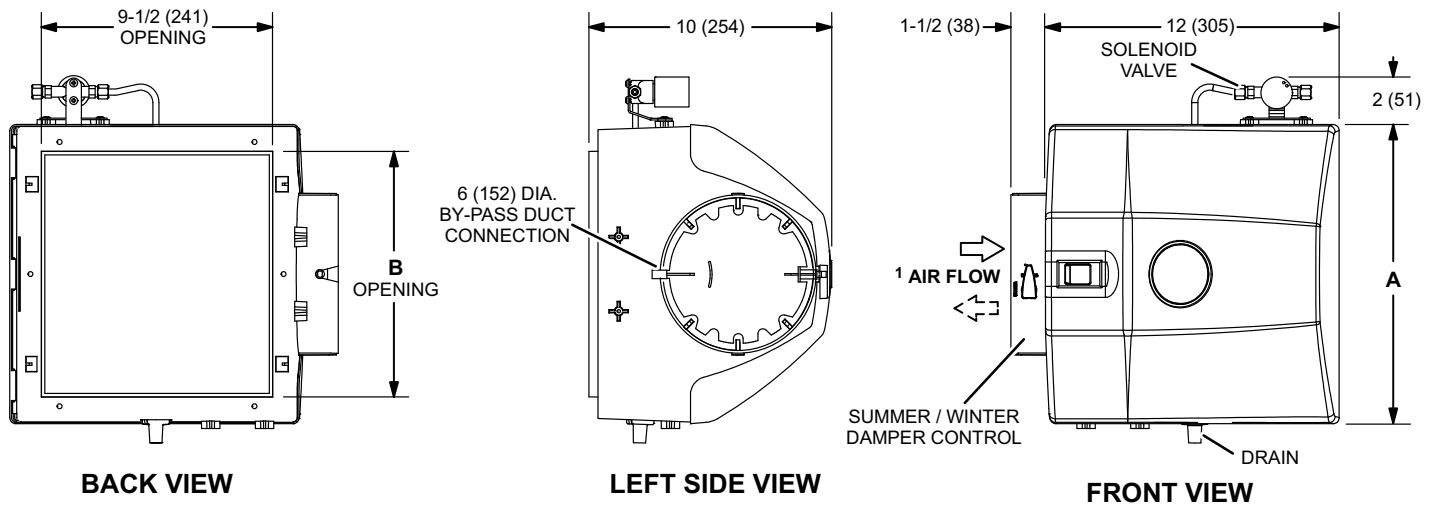
Model Nos.	Humidistat Control with Installation Kit Universal Humidifier Control Universal Humidifier Control and Installation Kit	HCWB2-12 <sup>1</sup> HCWBK2-12 HCWB2-12A <sup>1</sup> HCWBK2-12A	HCWB2-17 --- HCWB2-17A <sup>1</sup> HCWBK2-17A
<b>Capacity</b> - 120°F plenum temperature, 0.20 in. w.c. static pressure drop		12 US gallons per day	16.75 US gallons per day
<b>Water Feed Rate</b>		3 gallons per hour	3 gallons per hour
<b>Evaporator pad size</b> - H x W x D - in.		9-7/8 x 9-5/8 x 1-5/8	13 x 10 x 1-5/8
<b>Connections</b>	Plenum H x W - in. By-Pass Duct - in. Water supply Drain	10 x 9-1/2 6 round 1/4 in. compression 1/2 in. I.D.	13-1/2 x 9-1/2 6 round 1/4 in. compression 1/2 in. I.D.
<b>Electrical characteristics</b>		24V	24V
<b>Shipping Data</b> - lbs. (1 package)		10	11
<b>MAINTENANCE SUPPLIES - MUST BE ORDERED EXTRA</b>			
	Replacement Media	<b>X2660</b>	<b>X2661</b>

<sup>1</sup> Canada Only

## TYPICAL APPLICATIONS



## DIMENSIONS - INCHES (MM)



### NOTES:

- By-pass duct air flow direction is dependent on application.
- For up-flow/horizontal applications air flow is from the humidifier to return air duct.
  - For down-flow applications, air-flow is to the humidifier from the supply air duct.

<sup>1</sup> Left hand air inlet/outlet shown. For right-hand inlet/outlet, rotate humidifier cabinet 180° top for bottom and relocate solenoid valve and drain to alternate location on cabinet. See Installation Instructions for additional details.

Model No.	A		B	
	in.	mm	in.	mm
HCWB2-12 HCWBK2-12 HCWB2-12A HCWBK2-12A	12-1/8	308	10	254
HCWB2-17 HCWB2-17A HCWBK2-17A	15-5/8	397	13-1/2	343

## REVISIONS

Sections	Description of Change
Specifications	Changed water feed rate HCWB2-17 models.
Features	Changed standard humidistat to manual humidistat
Dimension	Updated drawing



Visit us at [www.lennox.com](http://www.lennox.com)

For the latest technical information, [www.lennox.com](http://www.lennox.com)

Contact us at 1-800-4-LENNOX

NOTE - Due to an ongoing commitment to quality, Specifications, Ratings and Dimensions subject to change without notice and without incurring liability. Improper installation, adjustment, alteration, service or maintenance can cause property damage or personal injury. Installation and service must be performed by a qualified installer and servicing agency.

©2008 Lennox Industries Inc.