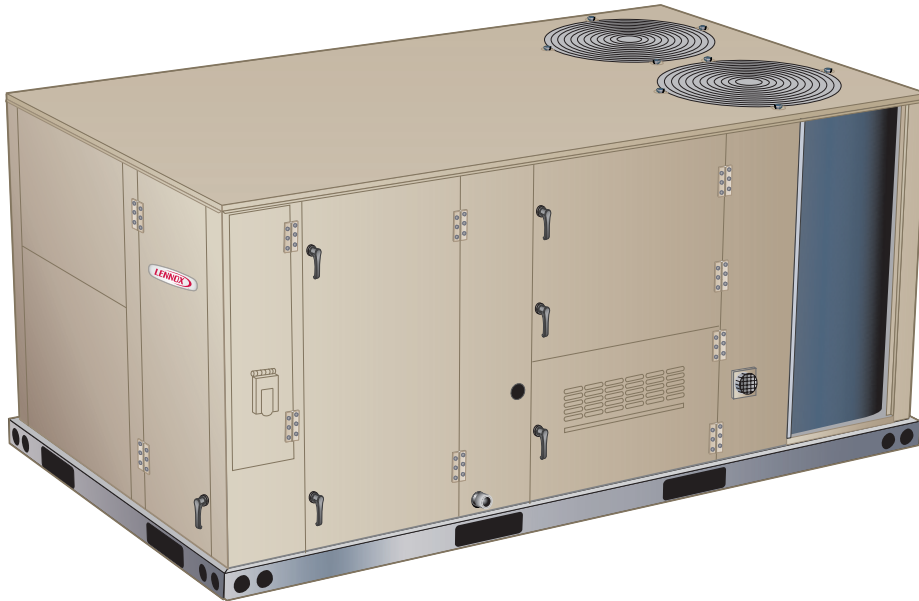




LGM
Model L™ Ultra-High Efficiency Rooftop Units
60 Hz

COMMERCIAL
PRODUCT SPECIFICATIONS

Bulletin No. 210936
 July 2022
 Supersedes June 2022



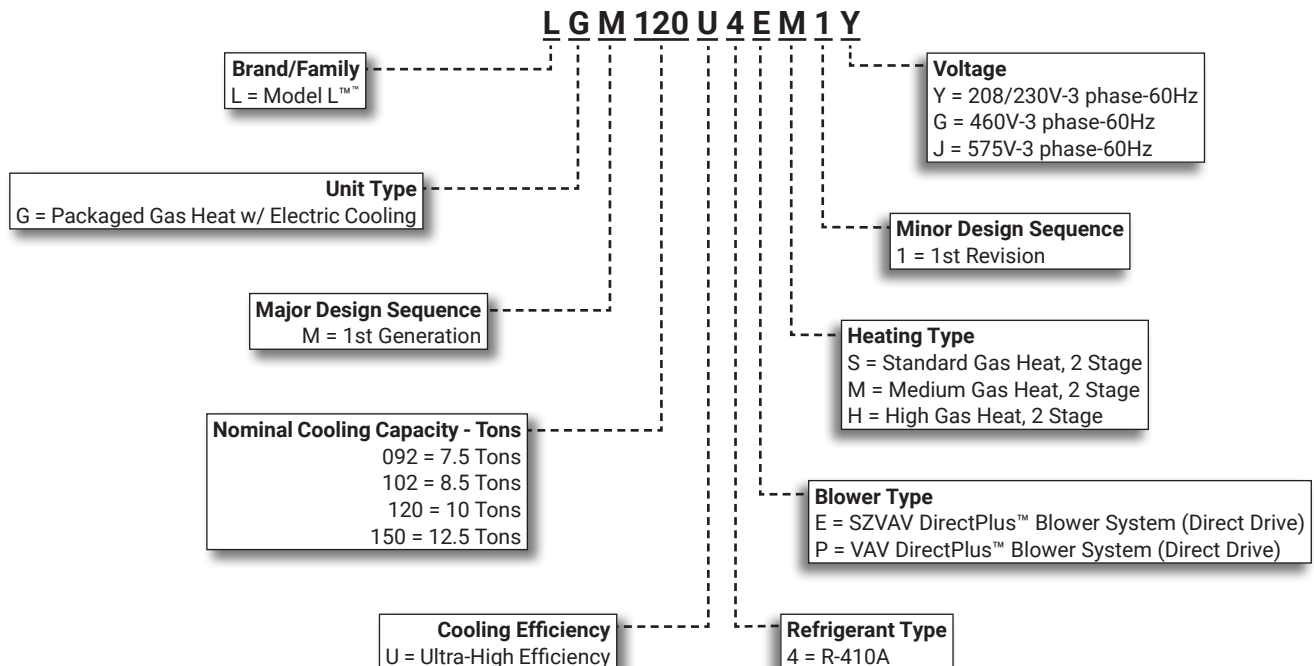
SMARTWIRE™ SYSTEM



ASHRAE 90.1
COMPLIANT

7.5 to 12.5 Tons
Net Cooling Capacity - 86,000 to 138,000 Btuh
Gas Input Heat Capacity - 130,000 to 240,000 Btuh

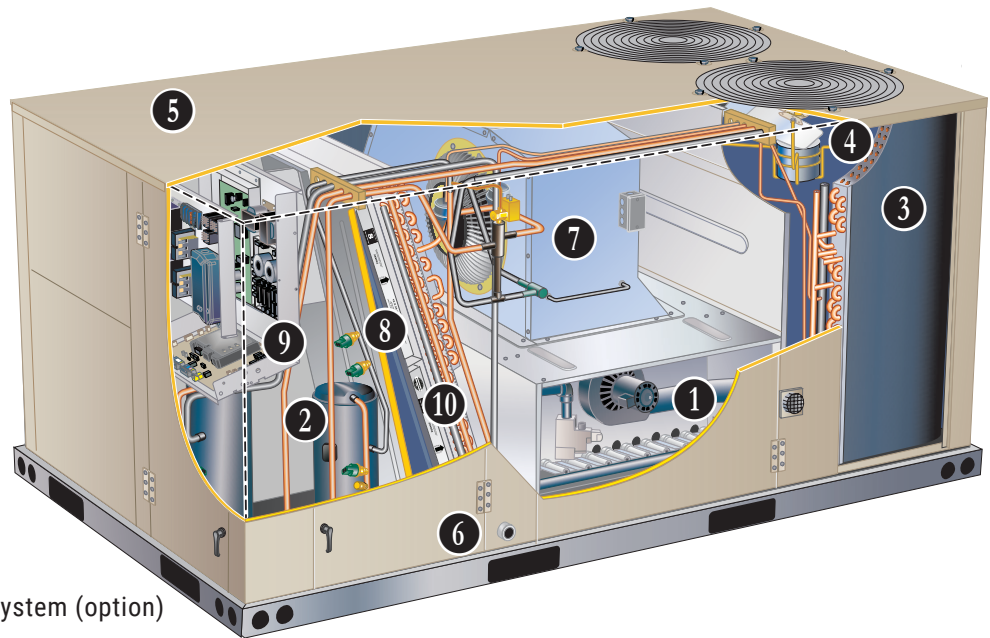
MODEL NUMBER IDENTIFICATION



FEATURE HIGHLIGHTS

The Model L™ packaged rooftop line is engineered with advanced variable speed technology to offer some of the highest energy efficiencies in the industry while delivering superior temperature and humidity control in a wide variety of commercial applications.

1. Heat Exchanger/Inshot Burners
2. Variable Capacity Scroll Compressor and Fixed Capacity Scroll Compressor
3. Condenser Coil
4. Variable-Speed ECM Outdoor Coil Fan Motors
5. Heavy Gauge Steel Cabinet
6. Hinged Access Panels
7. DirectPlus™ Direct Drive ECM Blower System
8. Air Filters
9. Lennox® CORE Control System
10. Humiditrol™+ Dehumidification System (option)



CONTENTS

Approvals And Warranty	3
Blower Data	26
Control System	8
Cooling Ratings	23
Dimensions	33
- Accessories	34
- Unit	33
Electrical Data	29
- 7.5 Ton	29
- 8.5 Ton	29
- 10 Ton	30
- 12.5 Ton	30
Features And Benefits	3
High Altitude Derate	22
Humiditrol™+ Dehumidification System Option	12
Humiditrol™+ Dehumidification System Ratings	25
Model Number Identification	1
Optional Conventional Temperature Control Systems	13
Options / Accessories	18
Outdoor Sound Data	31
Sequence Of Operation	15
Specifications	21
- Gas Heat	22
- Unit	21
Unit Clearances	31
Weight Data	32
- Options / Accessories	32
- Unit	32

APPROVALS AND WARRANTY

APPROVALS

- AHRI Standard 340/360 certified
- ETL and CSA listed
- CSA certified energy ratings
- Unit and components ETL, NEC, and CEC bonded for grounding to meet safety standards for servicing
- All models are ASHRAE 90.1-2010 energy efficiency compliant and meet or exceed requirements of Section 6.8
- All models meet DOE 2018 and 2023 energy efficiency standards
- All models meet California Code of Regulations, Title 24 and ASHRAE 90.1-2016 Section 6.4.3.10 requirements for staged airflow
- All models have HCAI (formerly OSHPD) OSP and Special Seismic Certification ([Number: OSP-0596](#)), and meet 2018 International Building Code (IBC), 2019 California Building Code (CBC) ASCE 7, and ICC-ES AC156
- ENERGY STAR® certified
- ISO 9001 Registered Manufacturing Quality System

WARRANTY

- Aluminized Steel Heat Exchanger - Limited ten years
- Stainless Steel Heat Exchanger (optional) - Limited fifteen years
- Compressor - Limited five years
- Lennox® CORE Unit Controller - Limited three years
- High Performance Economizers (optional) - Limited five years
- All other covered components - Limited one year

FEATURES AND BENEFITS

HEATING SYSTEM

- 1 • Aluminized steel inshot burners
- Direct spark ignition
- Electronic flame sensor
- Combustion air inducer
- Redundant automatic dual stage gas valve with manual shut-off

Heat Exchanger

- Tubular construction, aluminized steel
- Life-cycle tested

NOTE - Optional Stainless Steel Heat Exchanger is required if mixed air temperature is below 45°F.

Electronic Pilot Ignition

- Electronic spark igniter provides positive direct ignition of burners on each operating cycle
- Permits main gas valve to stay open only when the burners are proven to be lit
- If loss of flame occurs, gas valve closes, shutting off the gas to the burners
- LED indicates status and aids in troubleshooting
- Watchguard circuit on module automatically resets ignition controls after one hour of continuous thermostat demand after unit lockout, eliminating nuisance service calls
- Factory installed in the gas heating compartment

Limit Controls

- Redundant limit controls with fixed temperature setting
- Protects heat exchanger and other components from overheating

Safety Switches

- Flame roll-out switch
- Flame sensor
- Combustion air inducer proving switch
- Protects system operation

Required Selections

Gas Input Choice - Order one:

- Standard Gas Heat, 2 Stage (84,500/130,000 Btuh)
- Medium Gas Heat, 2 Stage (117,000/180,000 Btuh)
- High Gas Heat, 2 Stage (156,000/240,000 Btuh)

Options/Accessories

Factory Installed

Stainless Steel Heat Exchanger

- Required if mixed air temperature is below 45°F

Factory or Field Installed

Bottom Gas Piping Kit

- Allows bottom gas entry
- Factory installed kit is furnished with the unit for field installation

Low Temperature Vestibule Heater

- Electric heater automatically controls minimum temperature in gas burner compartment when temperature is below -40°F
- CSA certified to allow operation of unit down to -60°F

FEATURES AND BENEFITS

HEATING SYSTEM (continued)

Options/Accessories (continued)

Field Installed

Combustion Air Intake Extensions

- Recommended for use with existing flue extension kits in areas where high snow areas can block intake air

LPG/Propane Kits

- Conversion kit to field change over units from Natural Gas to LPG/Propane

Vertical Vent Extension Kit

- Use to exhaust flue gases vertically above unit
- Required when unit vent is too close to fresh air intakes per building codes
- Also prevents ice formation on intake louvers
- Kit contains vent transition, vent tee, drain cap and installation hardware

NOTE - Straight vent pipes (4 in. B-Vent) and caps are not furnished and must be field supplied. Refer to kit instructions for additional information.

COOLING SYSTEM

- Designed to maximize sensible and latent cooling performance at design conditions
- System can operate from 0°F to 125°F without any additional controls

R-410A Refrigerant

- Non-chlorine based
- Ozone-friendly

2 Dual Compressors

Cooling system consists of one variable capacity scroll compressor and one fixed capacity scroll compressor

Variable Capacity Scroll Compressor

- High performance, reliability and quiet operation
- Operates on a variable frequency determined to vary capacity based on the cooling load required

Fixed Capacity Scroll Compressor

- High performance, reliability and quiet operation
- Resiliently mounted on rubber grommets for quiet operation

Compressor Crankcase Heaters

- Protects against refrigerant migration that can occur during low ambient operation or during extended off cycles

DC Inverter Control (for Variable Capacity Compressor)

- Converts AC line voltage into filtered variable DC voltage
- Provides continuous compressor operation, while adjusting the capacity according to discharge air temperature
- Adjusts compressor output in increments as small as 1%
- Prevents frequent changes in capacity and ensures efficient, economical operation
- Power Factor Correction (PFC) circuit monitors the DC bus for high, low and abnormal voltage conditions to protect the compressor

- Two LEDs (red and green) indicate inverter operating status and aid in troubleshooting
- Noise filter reduces unwanted electromagnetic interference (EMI)
- Inverter reactor adds inductance to the line between the inverter and the compressor to limit current rise and protect the compressor

Thermal Expansion Valves

- Ensures optimal performance throughout the application range
- Removable element head

Filter/Driers

- High capacity filter/drier protects the system from dirt and moisture

High Pressure Switches

- Protects the system from high pressure conditions

Low Pressure Switches

- Protects the compressors from low pressure conditions such as low refrigerant charge or low/no airflow

Diagnostic and Sensor System

- Multiple thermistors continuously monitor the refrigeration system, providing optimum performance and complete circuit protection at all operating conditions

Indoor Coil Freeze Protection

- Protects the evaporator coil from damaging ice build-up due to conditions such as low/no airflow or low refrigerant charge

3 Condenser Coil

- Copper tube construction
- Enhanced rippled-edge aluminum fins
- Flared shoulder tubing connections
- Silver soldered construction

Evaporator Coil

- Copper tube construction
- Enhanced rippled-edge aluminum fins
- Flared shoulder tubing connections
- Silver soldered construction
- Cross-row circuiting with rifled copper tubing

Anti-Microbial Condensate Drain Pan

- Plastic pan, sloped to meet drainage requirements per ASHRAE 62.1
- Anti-Microbial additive resists growth of mold and mildew on drain pan, which improves indoor air quality and reduces drain line blockage
- Side or bottom drain connections
- Reversible to allow connection at back of unit

Outdoor Coil Fans

- PVC coated fan guard furnished

FEATURES AND BENEFITS

COOLING SYSTEM (continued)

- 4** Variable-Speed ECM Outdoor Coil Fan Motors
- Fan speed is directly controlled by the Lennox® CORE Unit Controller
 - Thermal overload protected
 - Totally enclosed
 - Permanently lubricated ball bearings
 - Shaft up
 - Wire basket mount

Options/Accessories

Factory Installed

Service Valves

- Fully serviceable brass valves installed in discharge & liquid lines

NOTE - Not available for units equipped with Humiditrol™+ Dehumidification option.

Factory or Field Installed

Condensate Drain Trap

- Constructed of PVC (factory or field) or copper (field only)

NOTE - Trap is field installed only; PVC version may be factory ordered to ship with unit.

Drain Pan Overflow Switch

- Monitors condensate level in drain pan
- Shuts down unit if drain becomes clogged

CABINET

- 5** Construction
- Heavy-gauge steel panels
 - Full perimeter heavy-gauge galvanized steel base rail
 - Base rails have rigging holes
 - Three sides of the base rail have forklift slots
 - Raised edges around duct and power entry openings in the bottom of the unit for water protection

Airflow Choice

- Units are shipped in downflow (vertical) configuration

NOTE - Units can be field converted to horizontal airflow with optional Horizontal Discharge Kit.

Duct Flanges

- Provided for horizontal duct attachment

Power Entry

- Electrical lines can be routed through the unit base or through horizontal access knock-outs

Exterior Panels

- Constructed of heavy-gauge, galvanized steel
- Textured pre-paint with polyurethane finish
- Cyclic salt fog and UV exposure up to 1680 hours per ASTM D5894

Insulation

- Fully insulated with non-hygroscopic fiberglass insulation (conditioned areas)
- Unit base is fully insulated
- Base insulation serves as an air seal to the roof curb, eliminating the need to add a seal during installation

6 Hinged Access Panels

- Tool-less access
- Filter section
- Blower/heating section
- Compressor/controls section
- Panel seals and quarter-turn latching handles provide a tight air and water seal

Required Selections

Airflow Configuration

- Specify downflow or horizontal

Options/Accessories

Factory or Field Installed

Return Air Adaptor Plate

- For same size LC/LG/LH and TC/TG/TH unit replacement
- Installs on return air opening in unit to match return air opening on existing roof curbs
- Also see Accessory Air Resistance table

Factory Installed

Corrosion Protection

- Completely flexible immersed coating
- Electrodeposited dry film process (AST ElectroFin E-Coat)
- ASTM B117 / DIN 53167 Salt Spray - 15,000+ hours
- ASTM G85 Annex A3 SWAAT Modified Salt Spray - 3000 hours
- VA Master Construction Specification Division 23 for High Humidity Installations
- CID AA-52474A (GSA)
- Indoor Corrosion Protection:
 - Coated coil
 - Coated reheat coil (Humiditrol™+)
 - Painted blower housing
 - Painted indoor base
- Outdoor Corrosion Protection:
 - Coated coil
 - Painted outdoor base

FEATURES AND BENEFITS

CABINET (continued)

Field Installed

Combination Coil/Hail Guards

- Heavy gauge steel frame
- Painted to match cabinet
- Expanded metal mesh protects outdoor coil

Horizontal Discharge Kit

- Consists of duct covers to block off downflow supply and return air openings for horizontal applications
- Also includes return air duct flanges for end return air when Economizer is used in horizontal applications

NOTE - When configuring unit for horizontal application with Economizer, a separate Horizontal Barometric Relief Damper with Hood must be ordered separately for installation in the return air duct.

BLOWER

7 DirectPlus™ Direct Drive ECM Blower System

- High-efficiency, variable-speed ECM (electronically commutated) motor
- Eliminates the need for a separate variable-frequency drive
- SZVAV equipped models modulate the amount of supply blower airflow according to cooling demand, heating demand, ventilation demand or smoke alarm
- The amount of airflow for each stage can be set according to a parameter in the Lennox® CORE Unit Controller
- Unit is shipped from the factory with preset airflows
- Fully variable speed motor modulates to maximize system efficiency
- Combines the motor and electronics into one unit
- Aerodynamically optimized impeller
- Backward curved blades mounted directly onto the rotor



- Air inlet grill reduces indoor sound levels without affecting air performance



Supply Static Pressure Transducer (VAV Models Only)

- Sends information to the Lennox® CORE Unit Controller to control blower speed to the desired supply duct static pressure
- Shipped with the unit for remote field installation in the supply duct

Required Selections

Blower Selection

- SZVAV (Single Zone Variable Air Volume) controls the speed of the blower based on the cooling and heating demands
- VAV (Variable Air Volume) blower varies the air volume to maintain a constant supply duct static pressure

ELECTRICAL

SmartWire™ System

- Keyed and color-coded wiring connectors prevent miswiring
- Wire coloring scheme is standardized across all models
- Each connection is intuitively labeled to make troubleshooting and servicing quick and easy

Electrical Plugs

- Positive connection electrical plugs are used to connect common accessories or maintenance parts for easy removal or installation

Phase/Voltage Detection

- Monitors power supply to ensure phase is correct at unit start-up
- If phase is incorrect, the unit will not start and an alarm code is reported to the unit controller
- Protects unit from being started with incorrect phasing which could lead to issues such as compressors running backwards
- Voltage detection monitors power supply voltage to ensure proper voltage
- If voltage is not correct (over/under voltage conditions) the unit will not start and an alarm code is reported to the unit controller

Required Selections

Voltage Choice

- Specify when ordering base unit

Options/Accessories

Factory Installed

Circuit Breakers

- HACR type
- For overload and short circuit protection
- Factory wired and mounted in the power entry panel
- Current sensitive and temperature activated
- Manual reset

Short-Circuit Current Rating (SCCR)

- Higher short circuit protection up to 100kA

NOTE - Disconnect Switch is furnished and factory installed with High SCCR option.

Factory or Field Installed

Disconnect Switch

- Accessible outside of unit
- Spring loaded weatherproof cover furnished

GFI Service Outlets (2)

- 115V ground fault circuit interrupter (GFCI) type
- Non-powered, field-wired

Field Installed

GFI Weatherproof Cover

- Single-gang cover
- Heavy-duty UV-resistant polycarbonate case construction
- Hinged base cover with gasket

FEATURES AND BENEFITS

INDOOR AIR QUALITY

8 Air Filters

- Disposable 2-inch filters furnished as standard

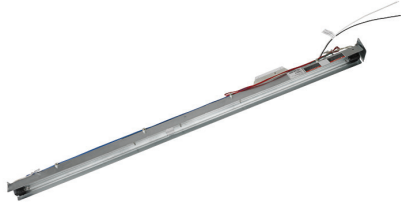
Options/Accessories

Factory or Field Installed

Healthy Climate® High Efficiency Air Filters

- Disposable MERV 8, MERV 13 or MERV 16 (Minimum Efficiency Reporting Value based on ASHRAE 52.2) efficiency 2-inch pleated filters

Healthy Climate® UVC Germicidal Lamps



- Germicidal lamps emit ultra-violet (UV-C) energy, which has been proven to be effective in reducing microbes such as viruses, bacteria, yeasts, and molds
- This process either destroys the organism or controls its ability to reproduce
- UV-C energy greatly reduces the growth and proliferation of mold and other bioaerosols (bacteria and viruses) on illuminated surfaces (particularly coil and drain pan)
- Installed in the blower/evaporator coil section
- Safety interlock switch automatically shuts off power to the UVC light when panel is removed
- Interlock switch is factory installed or field installed in the blower/evaporator coil section panel
- All necessary hardware for installation is included
- Lamps operate on 110/230V, 1 phase power supply

NOTE - For 460V and 575V units, field installed lamps utilize jumpers to the outdoor fan transformer for voltage needed. See the installation Instructions.

- Approved by ETL

Needlepoint Bipolar Ionization (NPBI) Kit

- NPBI technology integrates with system controls for effective air treatment
- Ionization has been shown to effectively reduce harmful pathogens, pollutants and odors

NOTE - Please visit www.sciencedirect.com for additional information.

- Brush-type ionizer introduces a high concentration of both positive and negative ions into the airstream
- These bipolar ions are then dispersed into the occupied space through the duct system proactively reducing the airborne contaminants
- Ions travel within the building air stream and attach to particles, pathogens, and gas molecules, making them larger and easier to capture in the filtration system
- UL 2998 certified for zero ozone emission

Field Installed

Indoor Air Quality (CO₂) Sensors

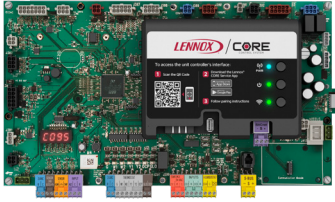
- Monitors CO₂ levels, reports to the Lennox® CORE Unit Controller which adjusts Economizer dampers as needed

Replacement Filter Media Kit With Frame

- Replaces existing pleated filter media
- Includes washable metal mesh screen and metal frame with clip for holding replaceable non-pleated filter

CONTROL SYSTEM

LENNOX® CORE CONTROL SYSTEM



The Lennox® CORE Control System is designed to accelerate equipment install and service. Standard with all Model L™ rooftop units, control system integrates key technologies that lower installation costs, drive system efficiency, and protect your investments.

- 9 The Lennox® CORE Unit Controller is a microprocessor-based controller that provides flexible control of all unit functions.

CORE Mobile Service App

- Guided Setup with progress indicators, detailed help, and exportable summaries to manage simple, trouble-free setup, reducing commissioning times
- Enhanced Test Functionality provides real-time sensor readings, trending, and reports that enable easy troubleshooting
- Ability to set and configure parameters of the CORE Control System to manage sequence of operation
- Economizer test function ensures economizer is operating correctly



Additional Features:

- Built-In 7-Segment Display shows Unit Status and active alarms for easy troubleshooting
- Buttons for test and clearing delays
- SmartWire™ System with keyed and removable screw terminals ensure correct field wiring
- Built-in BACnet MS/TP and IP allow open integration to building management systems.
- Two-port Ethernet Switch enables daisy chaining for BACnet IP and automatic firmware updates

NOTE - Unit Internet Connection required.

- Profile setup copies key settings between units with the same configuration to reduce setup time
- USB port allows a technician to download and transfer unit information to help verify service was performed
- USB software updates on the Lennox® CORE Unit Controller enhance functionality without the need to change components
- Unit Controller Software

Configurable Built-In Functions

- Full modulation of variable speed compressor for discharge air temperature control in room sensor or thermostat mode
- Discharge Air Cooling Control

- Up to three distinct Cooling Airflows in Thermostat Mode with additional relay
- Programmable independent heating, ventilation and cooling blower speeds
- Discharge Air Heating Control
- Economizer Control Options (See Economizer / Exhaust Air / Outdoor Air sections)
- Exhaust Fan Control Modes for fresh air damper position
- Configurable Morning Warm-up
- Night Setback Mode
- Fresh Air Tempering for Improved Ventilation
- Demand Control Ventilation
- Low Ambient Controls for operation down to 0°F
- Humiditrol™+ Operation (Variable Capacity Hot-Gas Reheat)
- Enhanced Dehumidification (Latent Demand Control without reheat)

Component Protection / Unit Safeguards:

- Compressor Time-Off Delay
- Adjustable Blower On/Off Delay
- Return Air Temperature Limit Control
- Safety Switch Input allows Controller to respond to a external safety switch trip
- Service Relay Output
- Thermostat Bounce Delay
- Smoke Alarm Mode has four choices (unit off, positive pressure, negative pressure, purge)
- "Strike Three" Protection
- Gas Valve Time Delay Between First and Second Stage
- Minimum Compressor Run Time

Control Methods / Interfaces:

- DDC and 24V Thermostat
- BACnet MS/TP and IP
- LONTalk (Factory and Field Option)
- Lennox SBUS
- Compatibility with Lennox Wireless Room Sensors
- Zone Temperature Sensor Input
- Dehumidistat and Humidity Sensor Inputs
- Indoor Air Quality Inputs (2)
- Built-in Control Parameter Defaults
- Permanent Diagnostic Code Storage
- Field Adjustable Control Parameters (Over 200 settings)
- Multiple Configurable Digital Inputs
- LED Indicators
- PC Interface connects the Lennox® CORE Unit Controller to a PC with the Lennox Unit Controller Software

NOTE - Lennox® CORE Control System features vary with the type of rooftop unit in which the control is installed.

CONTROL SYSTEM

LENNOX® CORE CONTROL SYSTEM (continued)

Controls Options

Factory or Field Installed

Blower Proving Switch

- Monitors blower operation, shuts down unit if blower fails

Dirty Filter Switch

- Senses static pressure increase and issues alarm if necessary

Fresh Air Tempering

- Used in applications with high outside air requirements
- Controller energizes the first stage heat as needed to maintain a minimum supply air temperature for comfort, regardless of the thermostat demand
- When ordered as a factory option, sensor ships with the unit for field installation

Smoke Detector

- Photoelectric type
- Installed in supply air section, return air section or both sections
- Available with power board and single sensor (supply or return) or power board and two sensors (supply and return)
- Power board located in unit control compartment

Interoperability via BACnet® or LonTalk® Protocols

- Communication compatible with third-party automation systems that support the BACnet Application Specific Controller device profile, LonMark® Space Comfort Controller functional profile, or LonMark Discharge Air Controller functional profile

COMMERCIAL CONTROL SYSTEMS

(Field Installed)

After-Market DDC

- Novar® Unit Controller and options

Thermostats

- Control system and thermostat options, see page 13
- After-Market unit controller options

OPTIONS / ACCESSORIES

ECONOMIZER

- Economizer operation is set and controlled by the Lennox® CORE Unit Controller
- Simple plug-in connections from Economizer to unit controller for easy installation
- All Model L™ rooftop units are equipped with factory installed CEC Title 24 approved sensors for outside, return and discharge air temperature monitoring

NOTE - Optional sensors may be used instead of unit sensors to determine whether outdoor air is suitable for free cooling. See Options/Accessories table.

Factory or Field Installed

High Performance Economizer

- Approved for California Title 24 building standards
- Low leakage dampers are Air Movement and Control Association International (AMCA) Class 1A Certified - Maximum 3 CFM per sq. ft. leakage at 1 in. w.g.
- ASHRAE 90.1 and IECC compliant
- Downflow or Horizontal with Outdoor Air Hood
- Outdoor Air Hood is included when Economizer is factory installed and is furnished with Economizer when ordered for field installation
- Downflow Barometric Relief Dampers with Exhaust Hood is also furnished

NOTE - Horizontal economizer applications require optional Horizontal Low Profile Barometric Relief Dampers and Horizontal Discharge Kit.

- Gear-driven action
- High torque 24-volt fully-modulating spring return damper motor
- Return air and outdoor air dampers
- Plug-in connections to unit
- Stainless steel bearings
- Enhanced thermoplastic vulcanizate (TPV) seals
- Flexible stainless steel jamb seals

NOTE - High Performance Economizers are not approved for use with enthalpy controls in Title 24 applications.

NOTE - The Free Cooling setpoint for Title 24 applications must be set based on the Climate Zone where the system is installed. See Section 140.4 "Prescriptive Requirements for Space Conditioning Systems" of the California Energy Commission's 2019 Building Energy Efficiency Standards.

NOTE - Refer to Installation Instructions for complete setup information.

OPTIONS / ACCESSORIES

ECONOMIZER (continued)

Factory or Field Installed (continued)

Differential Sensible Control

- Factory setting
- Uses outdoor air and return air sensors that are furnished with the unit
- The Lennox® CORE Unit Controller compares outdoor air temperature with return air
- When the outdoor air is below the configured setpoint and cooler than return air, the controller activates the Economizer

NOTE - Differential Sensible Control can be configured in the field to provide Offset Differential Sensible Control or Single Sensible Control.

NOTE - In Offset Differential Sensible Control mode, the Economizer is enabled if the temperature differential (offset) between outdoor air and return air reaches the configured setpoint. In Single Sensible Control mode, the Economizer is enabled when outdoor air temperature falls below the configured setpoint.

Global Control

- The unit controller communicates with a DDC system with one global sensor (enthalpy or sensible)
- Determines whether outside air is suitable for free cooling on all units connected to the control system
- Sensor must be field provided

Single Enthalpy Temperature Control (Not for Title 24)

- Outdoor air enthalpy sensor enables Economizer if the outdoor enthalpy is less than the setpoint of the control

Differential Enthalpy Control (Not for Title 24)

- Order two Single Enthalpy Controls
- One is field installed in the return air section
- One is installed in the outdoor air section
- Allows the Economizer control to select between outdoor air or return air, whichever has lower enthalpy

Field Installed

Horizontal Low Profile Barometric Relief Dampers

- For use when unit is configured for horizontal applications requiring an Economizer
- Allows relief of excess air
- Aluminum blade dampers prevent blow back and outdoor air infiltration during off cycle
- Field installed in return air duct
- Bird screen and hood furnished

NOTE - Requires Horizontal Discharge Kit.

Field Installed

Outdoor Air CFM Control

- Maintains constant outdoor air volume levels on the supply air fan and varying unit airflows
- Velocity sensor located in the rooftop unit outdoor air section, the Lennox® CORE Unit Controller changes the Economizer position to help minimize the effect of supply fan speed changes on outdoor air volume levels
- Setpoint for outdoor air volume is established by field testing

NOTE - Not available with Demand Control Ventilation (CO₂ Sensor) or Building Pressure Control.

Building Pressure Control

- Maintains constant building pressure level
- Includes a static pressure transducer and outdoor static pressure assembly
- Using differential pressure information between the outdoor air and the building air, the Lennox® CORE Unit Controller changes the Economizer position to help maintain a constant building pressure

NOTE - Not available with Demand Control Ventilation (CO₂ Sensor) or Outdoor Air CFM Control.

POWER EXHAUST

Factory or Field Installed

Power Exhaust Fan

- Installs internal to unit for downflow applications only with Economizer option
- Provides exhaust air pressure relief
- Interlocked to run when supply air blower is operating
- Fan runs when outdoor air dampers are 50% open (adjustable)
- Motor is overload protected
- Fan is 20 in. diameter
- Five blades
- One 1/3 hp motor

NOTE - Requires Economizer and Downflow Barometric Relief Dampers.

OPTIONS / ACCESSORIES

OUTDOOR AIR OPTIONS

Factory or Field Installed

Outdoor Air Damper

- Downflow or Horizontal
- Linked mechanical dampers
- 0 to 25% (fixed) outdoor air adjustable
- Installs in unit
- Includes outdoor air hood
- Motorized model features fully modulating spring return damper motor with plug-in connection
- Manual model features parallel blade, gear-driven dampers with adjustable fixed position

ROOF CURBS

Field Installed

- Nailer strip furnished (downflow only)
- Mates to unit
- US National Roofing Contractors Approved
- Shipped knocked down

Hybrid Roof Curbs, Downflow

- Interlocking tabs fasten corners together
- No tools required for assembly
- Can also be fastened together with furnished hardware
- Available in 8, 14, 18, and 24 inch heights

Adjustable Pitch Curb

- Fully adjustable pitch curbs (3/4 in. per foot in any direction) provide a level platform for rooftop units allowing flexible installations on roofs with uneven or sloped angles
- Interlocking tabs fasten corners together
- No tools required for assembly
- Hardware is furnished to connect upper curb with lower curb
- Available in 14 inch height

Adaptor Curbs (not shown)

- Curbs are regionally sourced
- Dimensions vary based upon the source

NOTE - Contact your local sales representative for a detailed cut sheet with applicable dimensions.

CEILING DIFFUSERS

Field Installed

Ceiling Diffusers

(Flush or Step-Down)

- White powder coat finish on diffuser face and grilles
- Insulated UL listed duct liner
- Diffuser box has collars for duct connection
- Step-down diffusers have double deflection blades
- Flush diffusers have fixed blades
- Provisions for suspending
- Internally sealed to prevent recirculation
- Removable return air grille
- Adapts to T-bar ceiling grids or plaster ceilings

Transitions (Supply and Return)

- Used with diffusers
- Installs in roof curb
- Galvanized steel construction
- Flanges furnished for duct connection to diffusers
- Fully insulated

HUMIDITROL™ + DEHUMIDIFICATION SYSTEM OPTION

OVERVIEW

- Factory installed option designed to control humidity
- 10 • Humiditrol™+ utilizes advanced control algorithms, variable speed technology and a reheat coil to efficiently control humidity levels independent of room temperature
- Provides dehumidification on demand using ASHRAE 90.1 recommended method for comfort conditioning humidity control
- Unit comes equipped with one row reheat coil and solenoid valve

NOTE - A dehumidification demand from a relative humidity sensor, dehumidistat, a DDC controller or building automation system is required to control humidity

BENEFITS

- Improves indoor air quality
- Discharge air control for overcool protection
- Adjustable discharge air temperature setpoint
- Energy efficient dehumidification
- Modulating latent and sensible capacity
- Helps prevent damage due to high humidity levels
- Improves comfort levels by reducing space humidity levels

OPERATION

No Dehumidification Demand

- The unit will operate conventionally whenever there is a demand for cooling or heating and no dehumidification demand
- Free cooling is only permitted when there is no demand for dehumidification

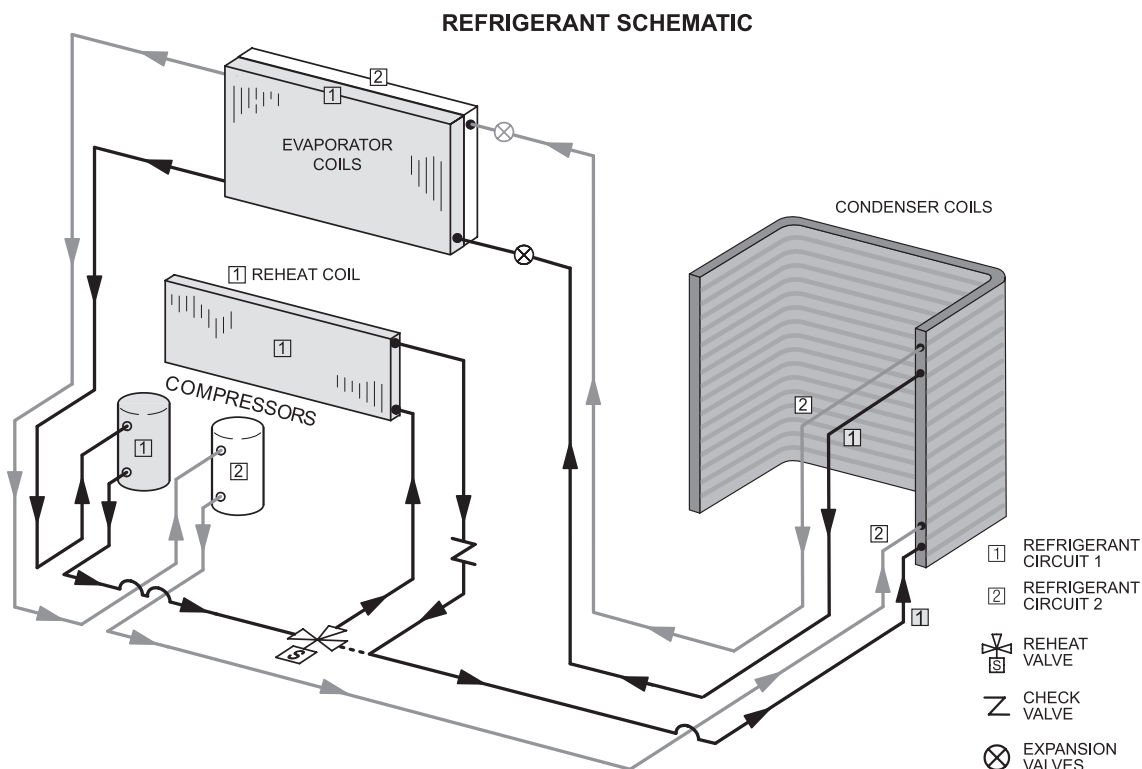
Dehumidification Demand Only

- Reheat operation will initiate on a dehumidification demand and does not require a cooling demand
- The unit will operate in hot gas reheat dehumidification mode until the relative humidity of the conditioned space is below the setpoint
- A solenoid valve diverts hot gas from the compressor to the reheat coil
- The cooled and dehumidified air from the evaporator is reheated as it passes through the reheat coil
- The de-superheated and partially condensed refrigerant continues to the outdoor condenser coil where condensing is completed
- Unit will continue to operate in this mode until the dehumidification demand is satisfied
- The reheat coil is sized to provide optimal reheat performance without overheating supply air
- The compressor will modulate based on dehumidification load
- The outdoor fans modulate speed to provide discharge air temperature control in reheat mode

Dehumidification and Cooling Demand (Thermostat/ Room Sensor Application)

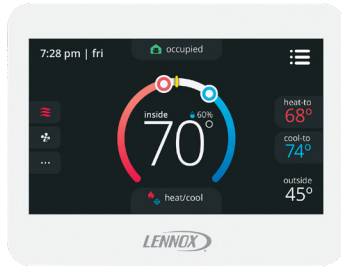
- If both a dehumidification and a cooling demand occur, the system will operate in cooling until the cooling demand is satisfied
- Then the system will energize the dehumidification mode

NOTE - See Sequence of Operation for additional information.



OPTIONAL CONVENTIONAL TEMPERATURE CONTROL SYSTEMS

CS8500 Commercial 7-Day Programmable Thermostat



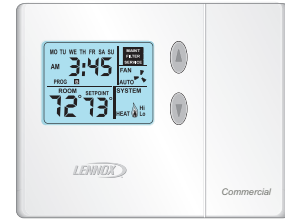
- Fully Communicating Sensor
- Full Color Touchscreen Interface
- Variable Speed System Control (On Compatible Units)
- Up To 4 Heat / 4 Cool
- Built-In Sensors For Temperature, Humidity And Optional CO₂
- Remote Sensor Options For Occupancy, Temperature
- BACnet Capable Options
- 5-2 or 7-Day Scheduling
- Smooth Setback Recovery
- Heat/Cool Auto-Changeover
- Four-Wire Installation
- FDD, ASHRAE, IECC Compliant

CS7500 Commercial 7-Day Programmable Thermostat



- Premium Universal Thermostat
- Full Color Touchscreen Interface
- Up To 4 Heat / 2 Cool
- Built-In Sensors For Temperature and Humidity
- Remote Sensors Options For Temperature, Discharge Air, Outdoor Air
- 5-2 or 7-Day Scheduling
- Smooth Setback Recovery
- Heat/Cool Auto-Changeover
- FDD, ASHRAE, IECC Compliant

CS3000 Commercial 5-2 Day Programmable Thermostat



- Conventional Multi-Stage Thermostat
- Intuitive Display
- Push-Button Operation
- Up To 2 Heat / 2 Cool
- Built-In Temperature Sensor
- Remote Temperature Sensing
- Up to 5-2 Day Scheduling
- Smooth Setback Recovery
- Heat/Cool Auto-changeover

Wireless/Wired Temperature/Humidity Room Sensor (LCS-5030)



- Simple Push-Button Override
- Variable Speed System Control (On Compatible Units)
- Up To 4 Heat / 4 Cool
- AA Battery / 24VAC Powered
- Bluetooth™ Mesh Operation
- SBUS Wired Operation
- Automatic Sensor Averaging
- Locking Hex Screw

Wireless Repeater for LCS-5030



- Extends Effective Range of Wireless Sensor (LCS-5030)
- 24VAC Only
- Locking Hex Screw

NOTE - Wireless only.

OPTIONAL CONVENTIONAL TEMPERATURE CONTROL SYSTEMS

Wired Temperature/Humidity Room Sensor (Non-Communicating)



- Terminal blocks for wiring connections
- Five-wire sensor connection
- Off-white plastic enclosure
- Non-adjustable
- Relative humidity range: 0 -100%
- +/- 3% Accuracy

OPTIONAL CONVENTIONAL TEMPERATURE CONTROL SYSTEMS

Description	Catalog No.
CS8500 Commercial 7 Day Programmable Thermostat	
CS8500 7-Day Thermostat	No CO ₂ Sensing 17G75
	With CO ₂ Sensing 17G76
Sensors/Accessories	¹ Remote non-adjustable wall-mount 10k 47W37
	¹ Remote non-adjustable wall-mount 11k 94L61
Sysbus Network Cable (Yellow) for CS8500 and LCS-5030 Wired Room Sensor	
Twisted pair 100% shielded communication cable, Red and Black	500 ft. box 27M19
22 AWG, yellow jacket, rated at 75°C, 300V, Plenum rated	1000 ft. box 94L63
Insulation - Low smoke PVC, NEC, CMP	2500 ft. roll 68M25
CS7500 Commercial 7-Day Programmable Thermostat	
CS7500 7-Day Thermostat	17G74
Sensors/Accessories	² Remote non-adjustable wall-mount 20k 47W36
	² Remote non-adjustable wall-mount 10k 47W37
	Remote non-adjustable discharge air (duct mount) 19L22
	Outdoor temperature sensor X2658
CS3000 Commercial 5-2 Day Programmable Thermostat	
CS3000 5-2 Day Thermostat	11Y05
Sensors/Accessories	Remote non-adjustable wall mount 10k averaging 47W37
	Thermostat wall mounting plate X2659
Universal Thermostat Guard with Lock (clear)	
	Inside Dimensions (H x W x D) 5-7/8 x 8-3/8 x 3 in. 39P21
Temperature/Humidity Room Sensors	
LCS-5030 Wireless/Wired Temperature/Humidity Room Sensor	21L07
Wireless Repeater for LCS-5030	21L09
A335MT13AE1 Wired Temperature/Humidity Room Sensor (Non-Communicating)	21W06

¹ Up to nine of the same type remote temperature sensors can be connected in parallel.

² Remote wall-mount sensors can be applied in any of the following combinations:

One Sensor - (1) 47W36, Two Sensors - (2) 47W37, Three Sensors - (2) 47W36 and (1) 47W37

Four Sensors - (4) 47W36, Five Sensors - (3) 47W36 and (2) 47W37

SEQUENCE OF OPERATION

COOLING

A-Two-Stage Thermostat

1 - Economizer With Outdoor Air Suitable

Y1 Demand

- Compressors Off
- Blower Cooling Low
- Dampers Modulate

NOTE - If dampers are at maximum open for five minutes, blower runs at cooling high.

Y2 Demand

- Compressors Modulate
- Blower Cooling High
- Dampers Maximum Open

2 - No Economizer or Outdoor Air Not Suitable

Y1 Demand

- Compressors Modulate
- Blower Cooling Low
- Dampers Minimum Position

Y2 Demand

- Compressors Modulate
- Blower Cooling High
- Dampers Minimum Position

B-Three-Stage Thermostat

1 - Economizer With Outdoor Air Suitable

Y1 Demand

- Compressors Off
- Blowers Cooling Low
- Dampers Modulate

NOTE - If dampers are at maximum open for five minutes, blower runs at cooling intermediate.

Y2 Demand

- Compressors Modulate
- Blower Cooling Intermediate
- Dampers Maximum Open

Y3 Demand

- Compressors Modulate
- Blower Cooling High
- Dampers Maximum Open

SEQUENCE OF OPERATION

COOLING (CONTINUED)

2 - No Economizer or Outdoor Air Not Suitable

Y1 Demand

- Compressors Modulate
- Blower Cooling Low
- Dampers Minimum Position

Y2 Demand

- Compressors Modulate
- Blower Cooling Intermediate
- Dampers Minimum Position

Y3 Demand

- Compressors Modulate
- Blower Cooling High
- Dampers Minimum Position

C - Room Sensor

1 - Economizer With Outdoor Air Suitable

- Compressors Off
- Blower Modulates
- Dampers Modulate

NOTE - If dampers are at maximum open for five minutes, compressors are energized and the blower modulates.

2 - No Economizer or Outdoor Air Not Suitable

- Compressors Modulate
- Blower Modulates
- Dampers Minimum Position

NOTE - Free cooling is locked out when a dehumidification demand is received. The unit operates in dehumidification mode as if the outdoor air is not suitable.

HEATING

Heating Mode: Thermostat or Room Sensor (Up to 2 stages W1, W2)

W1 or Low Heating Demand

Gas valve is open on low and the supply fan operates at high speed.

W2 or High Heating Demand

Gas valve is open on high and the supply fan operates at high speed.

SEQUENCE OF OPERATION

HUMIDITROL™±

A - Thermostat Mode With 24V Humidistat

Dehumidification Demand (DI4) and No Cooling Demand

Compressor operates at 100%, blower and outdoor fans modulate to maintain indoor coil and discharge air temperatures, reheat valve is energized.

Y1 and DI4 Demand

Compressors are modulating, blower is on low, and the reheat valve is de-energized.

Y2 and DI4 Demand

Compressors are modulating, blower is on high, reheat valve is de-energized.

B - Thermostat Mode With Zone Relative Humidity Sensor

Dehumidification Demand (Zone Relative Humidity is greater than the relative humidity setpoint) and No Cooling Demand

Compressor modulates based on zone relative humidity, blower and outdoor fans modulate to maintain indoor coil and discharge air temperatures, reheat valve is energized.

Y1 and Dehumidification Demand

Compressors are modulating, blower is on low, and the reheat valve is de-energized.

Y2 and Dehumidification Demand

Compressors are modulating, blower is on high, reheat valve is de-energized.

C - Room Sensor Mode With Humidistat

Dehumidification Demand (DI4) and No Cooling Demand

Compressor 1 operates at 100%, blower and outdoor fans modulate to maintain indoor coil and discharge air temperatures, reheat valve is energized.

Cooling and Dehumidification Demand

Compressors are modulating, blower is modulating, reheat valve is de-energized.

D - Room Sensor Mode With Zone Relative Humidity Sensor

Dehumidification Demand (Zone Relative Humidity is greater than the relative humidity setpoint) and No Cooling Demand

Compressor 1 modulates based on zone relative humidity, blower and outdoor fans modulate to maintain indoor coil and discharge air temperatures, reheat valve is energized.

Cooling and Dehumidification Demand

Compressors are modulating, blower is modulating, and the reheat valve is de-energized.

OPTIONS / ACCESSORIES

Item Description	Catalog Number	Unit Model No				
		092	102	120	150	
COOLING SYSTEM						
Condensate Drain Trap	PVC	22H54	OX	OX	OX	OX
	Copper	76W27	X	X	X	X
Corrosion Protection	Factory		O	O	O	O
Drain Pan Overflow Switch		21Z07	OX	OX	OX	OX
Refrigerant Type		R-410A	O	O	O	O
Service Valves (not for Humiditrol™+ equipped units)		Factory	O	O	O	O
HEATING SYSTEM						
Bottom Gas Piping Kit		54W95	OX	OX	OX	OX
Combustion Air Intake Extensions		19W51	X	X	X	X
Gas Heat Input	130,000 Btuh	Factory	O	O	O	O
	180,000 Btuh	Factory	O	O	O	O
	240,000 Btuh	Factory	O	O	O	O
Low Temperature Vestibule Heater	208/230V-3ph	22A51	OX	OX	OX	OX
	460V-3ph	22A55	OX	OX	OX	OX
	575V-3ph	13X65	OX	OX	OX	OX
LPG/Propane Conversion Kits	Standard Heat	14N22	X	X	X	X
	Medium Heat	14N23	X	X	X	X
	High Heat	14N25	X	X	X	X
Stainless Steel Heat Exchanger		Factory	O	O	O	O
Vertical Vent Extension Kit		42W16	X	X	X	X
BLOWER - SUPPLY AIR						
Blower	DirectPlus™ Direct Drive ECM Blower System with SZVAV	Factory	O	O	O	O
	DirectPlus™ Direct Drive ECM Blower System with VAV	Factory	O	O	O	O
CABINET						
Combination Coil/Hail Guards		22J65	X	X		
		13T05			X	X
Horizontal Discharge Kit		51W25	X	X	X	X
Return Air Adaptor Plate (for LC/LG and TC/TG/TH unit replacement)		54W96	OX	OX	OX	OX
CONTROLS						
Blower Proving Switch		21Z10	OX	OX	OX	OX
Commercial Controls	LonTalk® Module - For Lennox® CORE Control System	54W27	OX	OX	OX	OX
	Novar® LSE	Factory	O	O	O	O
Dirty Filter Switch		53W67	OX	OX	OX	OX
Fresh Air Tempering		21Z08	OX	OX	OX	OX
Smoke Detector - Supply or Return (Power board and one sensor)		11K76	OX	OX	OX	OX
Smoke Detector - Supply and Return (Power board and two sensors)		11K80	OX		OX	OX

NOTE - Catalog numbers shown are for ordering optional accessories if a field installed option is available.

OX - Configure To Order (Factory Installed) or Field Installed

O = Configure To Order (Factory Installed)

X = Field Installed

OPTIONS / ACCESSORIES

Item Description	Catalog Number	Unit Model No				
		092	102	120	150	
INDOOR AIR QUALITY						
Air Filters						
Healthy Climate® High Efficiency Air Filters 20 x 25 x 2 in.	MERV 8 (Order 4)	50W61	OX	OX	OX	OX
	MERV 13 (Order 4)	52W41	OX	OX	OX	OX
	MERV 16 (Order 4)	21U41	OX	OX	OX	OX
Replacement Media Filter With Metal Mesh Frame 20 x 25 x 2 in. (includes non-pleated filter media)	(Order 4)	Y3063	X	X	X	X
Indoor Air Quality (CO₂) Sensors						
Sensor - Wall-mount, off-white plastic cover with LCD display		77N39	X	X	X	X
Sensor - Wall-mount, off-white plastic cover, no display		87N53	X	X	X	X
Sensor - Black plastic case with LCD display, rated for plenum mounting		87N52	X	X	X	X
Sensor - Wall-mount, black plastic case, no display, rated for plenum mounting		87N54	X	X	X	X
CO ₂ Sensor Duct Mounting Kit - for downflow applications		85L43	X	X	X	X
Aspiration Box - for duct mounting non-plenum rated CO ₂ sensors (87N53 or 77N39)		90N43	X	X	X	X
Needlepoint Bipolar Ionization (NPBI)						
Needlepoint Bipolar Ionization (NPBI) Kit		21U36	OX	OX	OX	OX
UVC Germicidal Lamps						
¹ Healthy Climate® UVC Light Kit (110//230V-1ph)		21A93	OX	OX	OX	OX
ELECTRICAL						
Voltage 60 Hz	208/230V - 3 phase	Factory	O	O	O	O
	460V - 3 phase	Factory	O	O	O	O
	575V - 3 phase	Factory	O	O	O	O
HACR Circuit Breakers		Factory	O	O	O	O
² Short-Circuit Current Rating (SCCR) of 100kA (includes Phase/Voltage Detection)		Factory	O	O	O	O
Disconnect Switch	80 amp	54W56	OX	OX	OX	OX
	150 amp	54W57	OX	OX	OX	OX
GFI Service Outlets	15 amp non-powered, field-wired (208/230V, 460V only)	74M70	OX	OX	OX	OX
	20 amp non-powered, field-wired (575V only)	67E01	OX	OX	OX	OX
Weatherproof Cover for GFI		10C89	X	X	X	X

¹ For 460V and 575V units, field installed lamps utilize jumpers to the outdoor fan transformer for voltage needed. See the installation Instructions.

² Disconnect Switch is furnished and factory installed with High SCCR option

NOTE - Catalog numbers shown are for ordering optional accessories if a field installed option is available.

OX - Configure To Order (Factory Installed) or Field Installed

O = Configure To Order (Factory Installed)

X = Field Installed

OPTIONS / ACCESSORIES

Item Description	Catalog Number	Unit Model No			
		092	102	120	150
ECONOMIZER					
High Performance Economizer (Approved for California Title 24 Building Standards / AMCA Class 1A Certified)					
High Performance Economizer Downflow or Horizontal - Includes Outdoor Air Hood and Downflow Barometric Relief Dampers with Exhaust Hood NOTE - For horizontal economizer applications order optional Horizontal Low Profile Barometric Relief Dampers and Horizontal Discharge Kit separately.	20U80	OX	OX	OX	OX
Economizer Controls					
Differential Enthalpy (Not for Title 24)	Order 2 21Z09	OX	OX	OX	OX
Sensible Control	Sensor is Furnished Factory	O	O	O	O
Single Enthalpy (Not for Title 24)	21Z09	OX	OX	OX	OX
Global Control	Sensor Field Provided Factory	O	O	O	O
Building Pressure Control	13J77	X	X	X	X
Outdoor Air CFM Control	13J76	X	X	X	X
Horizontal Barometric Relief Dampers (for horizontal economizer applications)					
Horizontal Low Profile Barometric Relief Dampers With Exhaust Hood	53K04	X	X	X	X
OUTDOOR AIR					
Outdoor Air Dampers					
Motorized Dampers (Hood furnished)	14G28	OX	OX	OX	OX
Manual Dampers (Hood furnished)	14G29	OX	OX	OX	OX
POWER EXHAUST					
Standard Static	208/230V-3ph 53W44	OX	OX	OX	OX
	460V-3ph 53W45	OX	OX	OX	OX
	575V-3ph 53W46	OX	OX	OX	OX
HUMIDITROL™+ HOT GAS REHEAT OPTION					
Humiditrol+ Dehumidification Option	Factory	O	O	O	O
ROOF CURBS					
Hybrid Roof Curbs, Downflow					
8 in. height	11F54	X	X	X	X
14 in. height	11F55	X	X	X	X
18 in. height	11F56	X	X	X	X
24 in. height	11F57	X	X	X	X
Adjustable Pitch Curb, Downflow					
14 in. height	54W50	X	X	X	X
CEILING DIFFUSERS					
Step-Down - Order one	RTD11-95S 13K61	X			
	RTD11-135S 13K62		X	X	
	RTD11-185S 13K63				X
Flush - Order one	FD11-95S 13K56	X			
	FD11-135S 13K57		X	X	
	FD11-185S 13K58				X
Transitions (Supply and Return) - Order one	C1DIFF30B-1 12X65	X			
	C1DIFF31B-1 12X66		X	X	
	C1DIFF32B-1 12X67				X

NOTE - Catalog numbers shown are for ordering optional accessories if a field installed option is available.

OX - Configure To Order (Factory Installed) or Field Installed

O = Configure To Order (Factory Installed)

X = Field Installed

SPECIFICATIONS				UNIT			
General Data	Nominal Tonnage		7.5 Ton	8.5 Ton	10 Ton	12.5 Ton	
	Efficiency Type		Ultra-High	Ultra-High	Ultra-High	Ultra-High	
	Model Number		LGM092U4E	LGM102U4E	LGM120U4E	LGM150U4E	
	Blower Type		DirectPlus™ ECM Direct Drive with SZVAV	DirectPlus™ ECM Direct Drive with SZVAV	DirectPlus™ ECM Direct Drive with SZVAV	DirectPlus™ ECM Direct Drive with SZVAV	
	Model Number		LGM092U4P	LGM102U4P	LGM120U4P	LGM150U4P	
	Blower Type		DirectPlus™ ECM Direct Drive with VAV	DirectPlus™ ECM Direct Drive with VAV	DirectPlus™ ECM Direct Drive with VAV	DirectPlus™ ECM Direct Drive with VAV	
	Cooling Performance	Gross Cooling Capacity - Btuh		90,500	101,600	121,800	144,000
		¹ Net Cooling Capacity - Btuh		86,000	97,000	114,000	138,000
¹ AHRI Rated Air Flow - cfm		2800	3400	3600	4400		
Total Unit Power - kW		7.2	8.1	9.5	12.5		
¹ IEER (Btuh/Watt)		22.0	21.0	21.0	20.0		
¹ EER (Btuh/Watt)		12.4	12.4	12.0	11.0		
Refrigerant Charge		Refrigerant Type		R-410A	R-410A	R-410A	R-410A
	Without Reheat Option	Circuit 1	13 lbs. 11 oz.	13 lbs. 15 oz.	15 lbs. 8 oz.	15 lb. 12 oz.	
		Circuit 2	9 lbs. 13 oz.	9 lbs. 10 oz.	11 lbs. 2 oz.	10 lb. 8 oz.	
	With Reheat Option	Circuit 1	15 lbs. 0 oz.	15 lbs. 0 oz.	18 lbs. 12 oz.	19 lb. 12 oz.	
		Circuit 2	9 lbs. 13 oz.	9 lbs. 10 oz.	11 lbs. 2 oz.	10 lb. 8 oz.	
	Gas Heating Options Available - See page 22			Standard (2 Stage), Medium (2 Stage), High (2 Stage)			
Compressor Type (number)			Variable Capacity Scroll (1) Fixed Capacity Scroll (1)				
Outdoor Coils	Net face area (total) - sq. ft.		20.5	20.5	28	28	
	Tube diameter - in.		3/8	3/8	3/8	3/8	
	Number of rows		3	3	3	3	
	Fins per inch		20	20	20	20	
Outdoor Coil Fans	Motor - (No.) HP		(2) 1/3 ECM	(2) 1/3 ECM	(2) 1/3 ECM	(2) 1/3 ECM	
	Motor rpm		400-850	400-1020	500-1020	500-1020	
	Total Motor watts		65-450	65-750	65-750	65-750	
	Diameter - (No.) in.		(2) 24	(2) 24	(2) 24	(2) 24	
	Number of blades		3	3	3	3	
	Total Air volume - cfm		7300	8800	8800	8800	
Indoor Coil	Net face area (total) - sq. ft.		13.54	13.54	13.54	13.54	
	Tube diameter - in.		3/8	3/8	3/8	3/8	
	Number of rows		4	4	4	4	
	Fins per inch		14	14	14	14	
	Drain connection - Number and size		(1) 1 in. NPT coupling				
Expansion device type		Balance port TXV, removable head					
Indoor Blower	Nominal motor output		3.75 HP (ECM)	3.75 HP (ECM)	3.75 HP (ECM)	3.75 HP (ECM)	
	Blower wheel nominal diameter x width - in.		(1) 22 x 9	(1) 22 x 9	(1) 22 x 9	(1) 22 x 9	
Filters	Type of filter		Disposable				
	Number and size - in.		(4) 20 x 25 x 2				
Electrical characteristics			208/230V, 460V, or 575V - 60 hz -3 phase				

NOTE - Net capacity includes evaporator blower motor heat deduction. Gross capacity does not include evaporator blower motor heat deduction.

¹ AHRI Certified to AHRI Standard 340/360; 95°F outdoor air temperature and 80°F db/67°F wb entering evaporator air; minimum external duct static pressure.

SPECIFICATIONS

GAS HEAT

Heat Input Type			Standard	Medium	High
Number of Gas Heat Stages			2	2	2
Gas Heating Performance	Input - Btuh	First Stage	84,500	117,000	156,000
		Second Stage	130,000	180,000	240,000
	Output - Btuh	Second Stage	104,000	144,000	192,000
	Temperature Rise Range - °F		15 - 45	30 - 60	40 - 70
	Minimum Air Volume - cfm		2150	2250	2600
	Thermal Efficiency		80%	80%	80%
	Gas Supply Connections		3/4 in. NPT	3/4 in. NPT	3/4 in. NPT.
Recommended Gas Supply Pressure - Nat. / LPG			7 in. w.g. / 11 in. w.g.		
Gas Supply Pressure Range	Min./Max. (Natural)		4.7 - 10.5 in. w.g.		
	Min./Max. (LPG)		10.8 - 13.5 in. w.g.		

HIGH ALTITUDE DERATE

Units may be installed at altitudes up to 2000 feet above sea level without any modification.

At altitudes above 2000 feet, units must be derated to match gas manifold pressures shown in table below.

At altitudes above 4500 feet unit must be derated 2% for each 1000 feet above sea level.

NOTE – This is the only permissible derate for these units.

Gas Heat Type	Altitude Feet	Gas Manifold Pressure in. w.g.		Input Rate - Btuh (Natural Gas or LPG/Propane)	
		Natural Gas	LPG/Propane Gas	First Stage	Second Stage
Standard	2001-4500	3.4	9.6	84,500	124,000
Medium	2001-4500	3.4	9.6	117,000	172,000
High	2001-4500	3.4	9.6	156,000	230,000

COOLING RATINGS

NOTE - For Temperatures and Capacities not shown in tables, see bulletin - Cooling Unit Rating Table Correction Factor Data in Miscellaneous Engineering Data section.

7.5 TON - LGM092U4E/P (LOW COOLING)

Entering Wet Bulb Temperature	Total Air Volume	Outdoor Air Temperature Entering Outdoor Coil																			
		65°F					75°F					85°F					95°F				
		Total Cool Cap.	Comp. Motor Input	Sensible To Total Ratio (S/T)			Total Cool Cap.	Comp. Motor Input	Sensible To Total Ratio (S/T)			Total Cool Cap.	Comp. Motor Input	Sensible To Total Ratio (S/T)			Total Cool Cap.	Comp. Motor Input	Sensible To Total Ratio (S/T)		
				Dry Bulb					Dry Bulb					Dry Bulb					Dry Bulb		
cfm	kBtuh	kW	75°F	80°F	85°F	kBtuh	kW	75°F	80°F	85°F	kBtuh	kW	75°F	80°F	85°F	kBtuh	kW	75°F	80°F	85°F	
63°F	800	66.2	3.77	0.55	0.62	0.71	64.3	4.37	0.55	0.64	0.71	62	4.99	0.6	0.64	0.71	59.7	5.68	0.59	0.67	0.74
	1335	80.2	3.8	0.6	0.7	0.79	77.6	4.41	0.61	0.7	0.8	74.9	5.04	0.61	0.71	0.81	71.8	5.73	0.62	0.73	0.83
	1875	89	3.82	0.63	0.75	0.87	85.8	4.44	0.64	0.77	0.89	82.4	5.07	0.65	0.78	0.91	78.7	5.76	0.67	0.81	0.93
67°F	800	69.8	3.76	0.48	0.57	0.62	67.5	4.37	0.48	0.56	0.62	65.2	5	0.5	0.56	0.63	62.5	5.69	0.49	0.56	0.63
	1335	84.4	3.81	0.49	0.57	0.66	81.7	4.42	0.5	0.58	0.67	78.8	5.06	0.5	0.58	0.68	75.6	5.75	0.5	0.59	0.69
	1875	93.8	3.84	0.52	0.61	0.72	90.4	4.45	0.51	0.62	0.73	86.9	5.09	0.52	0.63	0.75	83	5.78	0.53	0.64	0.76
71°F	800	72.8	3.77	0.39	0.47	0.53	70.3	4.38	0.42	0.47	0.53	68	5.01	0.41	0.47	0.53	65.6	5.71	0.4	0.47	0.53
	1335	88.6	3.82	0.4	0.48	0.55	85.7	4.43	0.4	0.48	0.55	82.7	5.07	0.4	0.48	0.56	79.4	5.77	0.39	0.48	0.56
	1875	98.3	3.85	0.4	0.5	0.59	94.9	4.47	0.4	0.5	0.59	91.3	5.11	0.4	0.5	0.6	87.2	5.81	0.4	0.51	0.6

NOTE - Compressors operating at maximum capacity.

7.5 TON - LGM092U4E/P (HIGH COOLING)

Entering Wet Bulb Temperature	Total Air Volume	Outdoor Air Temperature Entering Outdoor Coil																			
		85°F					95°F					105°F					115°F				
		Total Cool Cap.	Comp. Motor Input	Sensible To Total Ratio (S/T)			Total Cool Cap.	Comp. Motor Input	Sensible To Total Ratio (S/T)			Total Cool Cap.	Comp. Motor Input	Sensible To Total Ratio (S/T)			Total Cool Cap.	Comp. Motor Input	Sensible To Total Ratio (S/T)		
				Dry Bulb					Dry Bulb					Dry Bulb					Dry Bulb		
cfm	kBtuh	kW	75°F	80°F	85°F	kBtuh	kW	75°F	80°F	85°F	kBtuh	kW	75°F	80°F	85°F	kBtuh	kW	75°F	80°F	85°F	
63°F	1875	82.4	5.07	0.64	0.77	0.9	78.7	5.76	0.66	0.79	0.92	74.7	6.54	0.67	0.81	0.95	69.9	7.43	0.68	0.85	0.98
	2625	88.8	5.1	0.71	0.88	1	84.6	5.78	0.73	0.9	1	80.3	6.57	0.75	0.93	1	75.4	7.46	0.79	0.97	1
	3600	94.9	5.12	0.81	1	1	90.8	5.82	0.83	1	1	86.3	6.6	0.86	1	1	81	7.49	0.91	1	1
67°F	1875	86.9	5.09	0.52	0.62	0.73	83	5.78	0.53	0.63	0.74	78.7	6.56	0.53	0.65	0.77	73.8	7.45	0.54	0.66	0.81
	2625	93.7	5.12	0.56	0.68	0.84	89.3	5.81	0.57	0.7	0.87	84.3	6.59	0.57	0.72	0.9	78.7	7.48	0.59	0.75	0.94
	3600	99	5.15	0.61	0.79	0.97	94.1	5.84	0.61	0.82	1	88.5	6.61	0.63	0.86	1	82.4	7.5	0.65	0.9	1
71°F	1875	91.3	5.11	0.4	0.5	0.6	87.2	5.81	0.4	0.51	0.6	82.8	6.59	0.4	0.52	0.63	77.6	7.48	0.41	0.53	0.64
	2625	98.5	5.14	0.41	0.54	0.66	93.9	5.84	0.42	0.55	0.67	88.6	6.62	0.41	0.56	0.7	82.8	7.5	0.43	0.58	0.72
	3600	104.2	5.17	0.44	0.6	0.77	99	5.86	0.44	0.61	0.79	93.2	6.64	0.45	0.63	0.84	86.7	7.52	0.46	0.66	0.86

NOTE - Compressors operating at maximum capacity.

8.5 TON - LGM102U4E/P (LOW COOLING)

Entering Wet Bulb Temperature	Total Air Volume	Outdoor Air Temperature Entering Outdoor Coil																			
		65°F					75°F					85°F					95°F				
		Total Cool Cap.	Comp. Motor Input	Sensible To Total Ratio (S/T)			Total Cool Cap.	Comp. Motor Input	Sensible To Total Ratio (S/T)			Total Cool Cap.	Comp. Motor Input	Sensible To Total Ratio (S/T)			Total Cool Cap.	Comp. Motor Input	Sensible To Total Ratio (S/T)		
				Dry Bulb					Dry Bulb					Dry Bulb					Dry Bulb		
cfm	kBtuh	kW	75°F	80°F	85°F	kBtuh	kW	75°F	80°F	85°F	kBtuh	kW	75°F	80°F	85°F	kBtuh	kW	75°F	80°F	85°F	
63°F	800	70.6	4.03	0.54	0.61	0.7	68.6	4.67	0.55	0.63	0.7	66.2	5.34	0.57	0.63	0.7	63.9	6.07	0.56	0.64	0.71
	1465	89	4.05	0.6	0.69	0.78	86.1	4.71	0.6	0.7	0.79	83.1	5.39	0.61	0.7	0.81	79.6	6.12	0.62	0.72	0.82
	2125	99.3	4.08	0.63	0.76	0.88	95.8	4.74	0.64	0.77	0.89	92.1	5.41	0.65	0.78	0.9	88	6.15	0.66	0.81	0.93
67°F	800	74.6	4.02	0.49	0.54	0.59	72.2	4.68	0.48	0.54	0.59	69.7	5.35	0.51	0.56	0.62	67.4	6.07	0.5	0.56	0.62
	1465	93.8	4.06	0.49	0.57	0.66	90.8	4.72	0.5	0.58	0.66	87.7	5.4	0.5	0.58	0.67	84.1	6.14	0.5	0.59	0.68
	2125	104.9	4.1	0.51	0.61	0.72	101.3	4.75	0.51	0.62	0.74	97.3	5.43	0.52	0.64	0.75	92.9	6.17	0.52	0.64	0.76
71°F	800	78.6	4.02	0.4	0.49	0.53	75.9	4.68	0.43	0.48	0.53	72.9	5.35	0.42	0.47	0.52	70.4	6.09	0.41	0.47	0.52
	1465	98.6	4.08	0.4	0.47	0.54	95.5	4.74	0.39	0.48	0.55	92.1	5.42	0.4	0.48	0.55	88.3	6.16	0.4	0.47	0.56
	2125	110.4	4.11	0.4	0.49	0.59	106.5	4.77	0.4	0.5	0.59	102.3	5.46	0.4	0.51	0.61	97.8	6.2	0.4	0.51	0.61

NOTE - Compressors operating at maximum capacity.

8.5 TON - LGM102U4E/P (HIGH COOLING)

Entering Wet Bulb Temperature	Total Air Volume	Outdoor Air Temperature Entering Outdoor Coil																			
		85°F					95°F					105°F					115°F				
		Total Cool Cap.	Comp. Motor Input	Sensible To Total Ratio (S/T)			Total Cool Cap.	Comp. Motor Input	Sensible To Total Ratio (S/T)			Total Cool Cap.	Comp. Motor Input	Sensible To Total Ratio (S/T)			Total Cool Cap.	Comp. Motor Input	Sensible To Total Ratio (S/T)		
				Dry Bulb					Dry Bulb					Dry Bulb					Dry Bulb		
cfm	kBtuh	kW	75°F	80°F	85°F	kBtuh	kW	75°F	80°F	85°F	kBtuh	kW	75°F	80°F	85°F	kBtuh	kW	75°F	80°F	85°F	
63°F	2125	92.1	5.41	0.64	0.77	0.9	88	6.15	0.65	0.79	0.92	83.3	6.98	0.67	0.82	0.95	78	7.93	0.69	0.84	0.98
	2975	99.2	5.44	0.72	0.88	1	94.8	6.17	0.74	0.91	1	89.8	7.01	0.77	0.94	1	84.1	7.96	0.78	0.97	1
	4080	106.1	5.46	0.81	1	1	101.4	6.21	0.83	1	1	96.4	7.04	0.87	1	1	90.4	7.99	0.92	1	1
67°F	2125	97.3	5.43	0.52	0.63	0.74	92.9	6.17	0.52	0.63	0.75	88	7.01	0.53	0.65	0.78	82.4	7.95	0.54	0.66	0.8
	2975	104.6	5.46	0.56	0.69	0.85	99.5	6.2	0.57	0.7	0.87	94	7.03	0.58	0.73	0.9	87.7	7.99	0.58	0.77	0.94
	4080	110.4	5.49	0.61	0.78	0.98	104.6	6.22	0.62	0.81	1	98.5	7.05	0.64	0.87	1	91.6	8	0.66	0.89	1
71°F	2125	102.3	5.46	0.4	0.51	0.6	97.8	6.2	0.4	0.51	0.61	92.6	7.03	0.4	0.52	0.63	86.9	7.98	0.4	0.53	0.64
	2975	110.1	5.49	0.42	0.55	0.67	104.9	6.22	0.42	0.55	0.68	99	7.06	0.42	0.57	0.7	92.4	8.01	0.43	0.58	0.74
	4080	116.1	5.51	0.45	0.59	0.79	110.3	6.25	0.44	0.61	0.79	103.9	7.08	0.46	0.62	0.85	96.5	8.03	0.45	0.64	0.87

NOTE - Compressors operating at maximum capacity.

COOLING RATINGS

NOTE - For Temperatures and Capacities not shown in tables, see bulletin - Cooling Unit Rating Table Correction Factor Data in Miscellaneous Engineering Data section.

10 TON - LGM120U4E/P (LOW COOLING)

Entering Wet Bulb Temperature	Total Air Volume	Outdoor Air Temperature Entering Outdoor Coil																			
		65°F					75°F					85°F					95°F				
		Total Cool Cap.	Comp. Motor Input	Sensible To Total Ratio (S/T)			Total Cool Cap.	Comp. Motor Input	Sensible To Total Ratio (S/T)			Total Cool Cap.	Comp. Motor Input	Sensible To Total Ratio (S/T)			Total Cool Cap.	Comp. Motor Input	Sensible To Total Ratio (S/T)		
				Dry Bulb					Dry Bulb					Dry Bulb					Dry Bulb		
cfm	kBtuh	kW	75°F	80°F	85°F	kBtuh	kW	75°F	80°F	85°F	kBtuh	kW	75°F	80°F	85°F	kBtuh	kW	75°F	80°F	85°F	
63°F	875	80	5.13	0.55	0.62	0.68	78.1	5.8	0.56	0.62	0.69	76.1	6.59	0.55	0.64	0.7	73.5	7.5	0.56	0.64	0.71
	1650	103.7	5.21	0.6	0.69	0.78	100.6	5.89	0.6	0.69	0.78	97.3	6.69	0.6	0.7	0.79	93.7	7.59	0.61	0.7	0.8
	2500	117.8	5.26	0.64	0.75	0.86	114.1	5.94	0.65	0.77	0.88	110	6.75	0.66	0.77	0.89	105.4	7.66	0.66	0.79	0.91
67°F	875	84.7	5.13	0.47	0.53	0.58	82.7	5.82	0.47	0.52	0.6	80.5	6.61	0.46	0.55	0.6	77.6	7.51	0.49	0.54	0.6
	1650	109.3	5.23	0.5	0.57	0.65	106.2	5.92	0.5	0.57	0.66	102.7	6.7	0.5	0.58	0.66	98.9	7.63	0.5	0.58	0.67
	2500	124.5	5.29	0.51	0.61	0.71	120.5	5.98	0.51	0.62	0.72	116.2	6.78	0.52	0.63	0.74	111.5	7.7	0.53	0.64	0.76
71°F	875	89.6	5.15	0.41	0.47	0.52	87.6	5.83	0.41	0.46	0.54	84.9	6.63	0.41	0.49	0.53	81.7	7.53	0.43	0.48	0.53
	1650	115	5.25	0.4	0.48	0.54	111.7	5.94	0.4	0.47	0.55	108.1	6.74	0.4	0.48	0.55	104.1	7.65	0.4	0.48	0.55
	2500	131	5.3	0.4	0.5	0.58	126.8	6	0.41	0.49	0.59	122.4	6.81	0.4	0.5	0.6	117.5	7.74	0.4	0.51	0.61

NOTE - Compressors operating at maximum capacity.

10 TON - LGM120U4E/P (HIGH COOLING)

Entering Wet Bulb Temperature	Total Air Volume	Outdoor Air Temperature Entering Outdoor Coil																			
		85°F					95°F					105°F					115°F				
		Total Cool Cap.	Comp. Motor Input	Sensible To Total Ratio (S/T)			Total Cool Cap.	Comp. Motor Input	Sensible To Total Ratio (S/T)			Total Cool Cap.	Comp. Motor Input	Sensible To Total Ratio (S/T)			Total Cool Cap.	Comp. Motor Input	Sensible To Total Ratio (S/T)		
				Dry Bulb					Dry Bulb					Dry Bulb					Dry Bulb		
cfm	kBtuh	kW	75°F	80°F	85°F	kBtuh	kW	75°F	80°F	85°F	kBtuh	kW	75°F	80°F	85°F	kBtuh	kW	75°F	80°F	85°F	
63°F	2500	109.6	6.56	0.64	0.76	0.89	105	7.43	0.65	0.78	0.91	100.2	8.4	0.66	0.8	0.93	94.8	9.47	0.68	0.83	0.96
	3500	118.1	6.63	0.71	0.86	1	112.9	7.5	0.73	0.89	1	107.7	8.48	0.75	0.91	1	102.1	9.54	0.77	0.94	1
	4800	125.9	6.68	0.8	0.99	1	120.5	7.57	0.82	1	1	115.3	8.54	0.86	1	1	109.4	9.63	0.88	1	1
67°F	2500	115.8	6.61	0.52	0.62	0.73	111	7.49	0.53	0.63	0.75	105.7	8.46	0.53	0.64	0.76	100.3	9.54	0.54	0.66	0.79
	3500	124.8	6.68	0.56	0.68	0.83	119.2	7.55	0.57	0.69	0.85	113.4	8.53	0.58	0.71	0.88	107	9.61	0.58	0.74	0.91
	4800	131.8	6.73	0.59	0.77	0.96	125.7	7.61	0.62	0.81	0.99	119.2	8.59	0.63	0.84	1	112.2	9.66	0.65	0.87	1
71°F	2500	121.8	6.66	0.4	0.5	0.6	116.9	7.55	0.41	0.51	0.61	111.5	8.52	0.4	0.52	0.62	105.7	9.59	0.41	0.52	0.63
	3500	131.4	6.73	0.41	0.54	0.66	125.6	7.61	0.42	0.55	0.68	119.5	8.6	0.43	0.56	0.68	112.9	9.67	0.43	0.56	0.71
	4800	138.7	6.77	0.43	0.59	0.76	132.4	7.66	0.45	0.6	0.77	125.8	8.65	0.44	0.61	0.81	118.5	9.73	0.45	0.63	0.82

NOTE - Compressors operating at maximum capacity.

12.5 TON - LGM150U4E/P (LOW COOLING)

Entering Wet Bulb Temperature	Total Air Volume	Outdoor Air Temperature Entering Outdoor Coil																			
		65°F					75°F					85°F					95°F				
		Total Cool Cap.	Comp. Motor Input	Sensible To Total Ratio (S/T)			Total Cool Cap.	Comp. Motor Input	Sensible To Total Ratio (S/T)			Total Cool Cap.	Comp. Motor Input	Sensible To Total Ratio (S/T)			Total Cool Cap.	Comp. Motor Input	Sensible To Total Ratio (S/T)		
				Dry Bulb					Dry Bulb					Dry Bulb					Dry Bulb		
cfm	kBtuh	kW	75°F	80°F	85°F	kBtuh	kW	75°F	80°F	85°F	kBtuh	kW	75°F	80°F	85°F	kBtuh	kW	75°F	80°F	85°F	
63°F	1100	99.1	7.01	0.56	0.62	0.69	96.8	7.84	0.56	0.62	0.69	94.1	8.84	0.56	0.63	0.71	91.1	9.97	0.56	0.64	0.71
	1965	125.2	7.13	0.6	0.69	0.77	121.5	7.99	0.6	0.69	0.78	117.5	9	0.61	0.7	0.79	113.1	10.13	0.61	0.71	0.8
	3125	144	7.24	0.65	0.76	0.87	139.3	8.11	0.66	0.77	0.89	134.3	9.13	0.67	0.79	0.91	128.7	10.25	0.68	0.8	0.93
67°F	1100	105	7.03	0.47	0.53	0.59	102.5	7.87	0.47	0.52	0.61	99.9	8.88	0.49	0.53	0.61	96.3	10	0.49	0.57	0.6
	1965	131.8	7.17	0.5	0.57	0.65	128.2	8.03	0.5	0.58	0.65	124	9.05	0.5	0.58	0.66	119.4	10.19	0.5	0.59	0.67
	3125	151.9	7.29	0.52	0.62	0.73	147.1	8.17	0.52	0.62	0.74	141.8	9.21	0.53	0.63	0.75	135.9	10.35	0.53	0.65	0.77
71°F	1100	111	7.06	0.41	0.47	0.52	108.6	7.91	0.41	0.46	0.54	105.2	8.92	0.4	0.49	0.54	100.8	10.03	0.43	0.48	0.53
	1965	138.6	7.21	0.4	0.47	0.55	134.7	8.08	0.4	0.48	0.55	130.3	9.09	0.4	0.48	0.56	125.5	10.25	0.4	0.48	0.56
	3125	159.7	7.33	0.41	0.5	0.6	154.7	8.24	0.41	0.51	0.6	149.2	9.26	0.4	0.51	0.61	143.1	10.43	0.41	0.52	0.62

NOTE - Compressors operating at maximum capacity.

12.5 TON - LGM150U4E/P (HIGH COOLING)

Entering Wet Bulb Temperature	Total Air Volume	Outdoor Air Temperature Entering Outdoor Coil																			
		85°F					95°F					105°F					115°F				
		Total Cool Cap.	Comp. Motor Input	Sensible To Total Ratio (S/T)			Total Cool Cap.	Comp. Motor Input	Sensible To Total Ratio (S/T)			Total Cool Cap.	Comp. Motor Input	Sensible To Total Ratio (S/T)			Total Cool Cap.	Comp. Motor Input	Sensible To Total Ratio (S/T)		
				Dry Bulb					Dry Bulb					Dry Bulb					Dry Bulb		
cfm	kBtuh	kW	75°F	80°F	85°F	kBtuh	kW	75°F	80°F	85°F	kBtuh	kW	75°F	80°F	85°F	kBtuh	kW	75°F	80°F	85°F	
63°F	3125	134.1	8.99	0.66	0.77	0.9	128.4	10.1	0.67	0.79	0.92	122.5	11.34	0.68	0.82	0.95	116.2	12.67	0.69	0.83	0.98
	4375	144.1	9.08	0.72	0.89	1	137.8	10.2	0.73	0.9	1	131.2	11.44	0.75	0.93	1	124.3	12.78	0.77	0.96	1
	6000	152.7	9.16	0.82	1	1	146.5	10.31	0.84	1	1	140.3	11.56	0.86	1	1	133.4	12.9	0.88	1	1
67°F	3125	141.5	9.06	0.53	0.63	0.74	135.6	10.19	0.53	0.64	0.75	129.4	11.42	0.54	0.66	0.77	122.8	12.77	0.55	0.66	0.8
	4375	152.1	9.17	0.56	0.7	0.85	145.4	10.29	0.57	0.71	0.87	138.5	11.54	0.58	0.73	0.89	131	12.87	0.6	0.75	0.93
	6000	160.4	9.23	0.62	0.79	0.98	153.3	10.38	0.63	0.81	1	145.4	11.63	0.64	0.83	1	137.3	12.93	0.65	0.87	1
71°F	3125	148.9	9.14	0.4	0.51	0.6	142.7	10.27	0.41	0.52	0.62	136.3	11.53	0.41	0.52	0.63	129.3	12.85	0.42	0.53	0.64
	4375	160.1	9.24	0.42	0.54	0.67	153.2	10.38	0.42	0.55	0.68	145.8	11.63	0.43	0.57	0.7	138	12.97	0.42	0.58	0.73
	6000	168.7	9.32	0.45	0.59	0.78	160.9	10.46	0.45	0.62	0.79	153.1	11.71	0.46	0.64	0.83	144.6	13.06	0.47	0.65	0.85

NOTE - Compressors operating at maximum capacity.

HUMIDITROL™ + DEHUMIDIFICATION SYSTEM RATINGS

7.5 | 8.5 TON - LGM092U4E/P / LGM102U4E/P WITH HUMIDITROL™+ OPERATING

Entering Wet Bulb Temperature	Outdoor Air Temperature Entering Outdoor Coil																							
	65°F						75°F						85°F						95°F					
	Total Air Vol.	Total Cool Cap.	Comp. Motor Input	Sensible To Total Ratio (S/T)			Total Air Vol.	Total Cool Cap.	Comp. Motor Input	Sensible To Total Ratio (S/T)			Total Air Vol.	Total Cool Cap.	Comp. Motor Input	Sensible To Total Ratio (S/T)			Total Air Vol.	Total Cool Cap.	Comp. Motor Input	Sensible To Total Ratio (S/T)		
				Dry Bulb						Dry Bulb						Dry Bulb						Dry Bulb		
cfm	kBtuh	kW	75°F	80°F	85°F	cfm	kBtuh	kW	75°F	80°F	85°F	cfm	kBtuh	kW	75°F	80°F	85°F	cfm	kBtuh	kW	75°F	80°F	85°F	
63°F	1201	23.6	2.2	0.5	0.7	1.0	1152	23.0	2.2	0.5	0.7	0.9	1059	17.8	2.4	0.4	0.6	0.9	879	10.5	2.7	0.1	0.4	0.8
67°F	895	28.2	2.2	0.3	0.4	0.6	866	27.1	2.2	0.3	0.4	0.6	814	20.9	2.4	0.2	0.4	0.5	759	14.4	2.8	N/A	0.2	0.4
71°F	684	31.5	2.1	0.2	0.3	0.4	686	29.8	2.1	0.2	0.3	0.4	642	23.8	2.5	0.1	0.2	0.3	576	17.7	2.8	N/A	0.1	0.2

NOTE - Both compressors operating at maximum capacity, indoor blower operating at optimal CFM and outdoor fan operating to maintain a discharge air temperature target equal to indoor dry bulb temperature.

10 TON - LGM120U4E/P WITH HUMIDITROL™+ OPERATING

Entering Wet Bulb Temperature	Outdoor Air Temperature Entering Outdoor Coil																							
	65°F						75°F						85°F						95°F					
	Total Air Vol.	Total Cool Cap.	Comp. Motor Input	Sensible To Total Ratio (S/T)			Total Air Vol.	Total Cool Cap.	Comp. Motor Input	Sensible To Total Ratio (S/T)			Total Air Vol.	Total Cool Cap.	Comp. Motor Input	Sensible To Total Ratio (S/T)			Total Air Vol.	Total Cool Cap.	Comp. Motor Input	Sensible To Total Ratio (S/T)		
				Dry Bulb						Dry Bulb						Dry Bulb						Dry Bulb		
cfm	kBtuh	kW	75°F	80°F	85°F	cfm	kBtuh	kW	75°F	80°F	85°F	cfm	kBtuh	kW	75°F	80°F	85°F	cfm	kBtuh	kW	75°F	80°F	85°F	
63°F	1382	30.7	3.1	0.4	0.6	0.8	1267	26.5	3.2	0.4	0.6	0.8	1170	24.1	3.2	0.3	0.6	0.8	1042	16.0	3.5	0.1	0.4	0.7
67°F	1067	34.6	3.1	0.2	0.4	0.5	1021	33.0	3.0	0.2	0.4	0.5	900	27.1	3.2	0.2	0.3	0.5	802	20.4	3.6	N/A	0.2	0.4
71°F	864	40.0	2.9	0.2	0.3	0.4	808	37.1	2.9	0.2	0.3	0.4	739	30.5	3.2	0.1	0.2	0.3	728	24.6	3.6	N/A	0.1	0.2

NOTE - Both compressors operating at maximum capacity, indoor blower operating at optimal CFM and outdoor fan operating to maintain a discharge air temperature target equal to indoor dry bulb temperature.

12.5 TON - LGM150U4E/P WITH HUMIDITROL™+ OPERATING

Entering Wet Bulb Temperature	Outdoor Air Temperature Entering Outdoor Coil																							
	65°F						75°F						85°F						95°F					
	Total Air Vol.	Total Cool Cap.	Comp. Motor Input	Sensible To Total Ratio (S/T)			Total Air Vol.	Total Cool Cap.	Comp. Motor Input	Sensible To Total Ratio (S/T)			Total Air Vol.	Total Cool Cap.	Comp. Motor Input	Sensible To Total Ratio (S/T)			Total Air Vol.	Total Cool Cap.	Comp. Motor Input	Sensible To Total Ratio (S/T)		
				Dry Bulb						Dry Bulb						Dry Bulb						Dry Bulb		
cfm	kBtuh	kW	75°F	80°F	85°F	cfm	kBtuh	kW	75°F	80°F	85°F	cfm	kBtuh	kW	75°F	80°F	85°F	cfm	kBtuh	kW	75°F	80°F	85°F	
63°F	1675	24.0	4.2	0.4	0.6	0.8	1556	31.7	4.1	0.4	0.6	0.8	1406	28.8	4.1	0.3	0.6	0.8	1309	19.9	4.5	0.2	0.5	0.8
67°F	1248	40.5	4.1	0.2	0.4	0.5	1215	38.9	4.0	0.2	0.4	0.5	1119	32.9	4.1	0.2	0.3	0.5	1020	24.7	4.6	N/A	0.2	0.4
71°F	1015	47.2	3.8	0.2	0.3	0.4	1009	43.8	3.8	0.2	0.3	0.4	932	36.2	4.2	0.0	0.2	0.3	927	29.7	4.6	N/A	0.1	0.2

NOTE - Both compressors operating at maximum capacity, indoor blower operating at optimal CFM and outdoor fan operating to maintain a discharge air temperature target equal to indoor dry bulb temperature.

BLOWER DATA

BLOWER TABLE INCLUDES RESISTANCE FOR BASE UNIT ONLY (NO HEAT SECTION) WITH DRY INDOOR COIL AND AIR FILTERS IN PLACE.

FOR ALL UNITS ADD:

- 1 - Wet indoor coil air resistance of selected unit.
 - 2 - Any factory installed options air resistance (heat section, Economizer, etc.)
 - 3 - Any field installed accessories air resistance (duct resistance, diffuser, etc.)
- See page 27 for wet coil and option/accessory air resistance data.

Maximum Static Pressure With Gas Heat - 2.0 in. w.g.

Minimum Air Volume Required For Different Gas Heat Sizes:

Standard - 2150 cfm; Medium - 2250 cfm; High - 2600 cfm

Total Air Volume cfm	Total Static Pressure - in. w.g.													
	0.2		0.4		0.6		0.8		1.0		1.2		1.4	
	RPM	Watts	RPM	Watts	RPM	Watts	RPM	Watts	RPM	Watts	RPM	Watts	RPM	Watts
1750	759	223	864	298	961	359	1049	420	1128	508	1199	607	1260	704
2000	846	271	943	345	1035	410	1117	488	1189	598	1255	704	1313	804
2250	945	303	1030	391	1111	476	1184	577	1247	697	1310	806	1367	905
2500	1035	366	1109	476	1180	583	1245	688	1306	797	1368	903	1426	1008
2750	1113	476	1182	601	1248	715	1310	809	1371	902	1432	1011	1491	1129
3000	1195	596	1261	718	1324	827	1385	922	1444	1024	1503	1146	1559	1279
3250	1282	711	1346	827	1406	935	1464	1044	1521	1167	1576	1306	1629	1460
3500	1372	821	1432	940	1489	1060	1544	1192	1598	1337	1650	1494	1700	1663
3750	1461	949	1517	1081	1571	1221	1624	1373	1675	1532	1725	1700	1773	1875
4000	1549	1109	1602	1256	1653	1413	1703	1576	1753	1743	1801	1916	1847	2091
4250	1637	1298	1687	1458	1735	1625	1784	1795	1831	1966	1877	2139	1923	2310
4500	1724	1510	1772	1678	1818	1851	1864	2023	1910	2195	1955	2365	2000	2530
4750	1811	1738	1856	1910	1901	2083	1946	2254	1990	2423	2034	2587	2079	2746
5000	1897	1973	1941	2144	1985	2314	2028	2480	2071	2644	2114	2805	2158	2959
5250	1983	2205	2026	2373	2069	2538	2111	2699	2153	2860	2195	3017	---	---
5500	2070	2428	2112	2595	2153	2756	2194	2912	---	---	---	---	---	---
5750	2156	2643	2197	2809	---	---	---	---	---	---	---	---	---	---

Total Air Volume cfm	Total Static Pressure - in. w.g.											
	1.6		1.8		2.0		2.2		2.4		2.6	
	RPM	Watts	RPM	Watts	RPM	Watts	RPM	Watts	RPM	Watts	RPM	Watts
1750	1316	793	1373	875	1432	963	1491	1064	1548	1175	1604	1300
2000	1368	894	1425	982	1483	1081	1540	1196	1596	1322	1650	1458
2250	1423	1001	1480	1101	1537	1216	1593	1344	1647	1483	1700	1629
2500	1483	1117	1539	1236	1594	1368	1648	1509	1700	1657	1752	1810
2750	1547	1256	1601	1394	1654	1539	1705	1690	1756	1846	1806	2004
3000	1612	1425	1664	1577	1715	1734	1765	1893	1815	2053	1864	2213
3250	1680	1623	1729	1787	1778	1949	1828	2110	1876	2269	1925	2426
3500	1748	1835	1796	2003	1844	2165	1893	2324	1942	2479	1991	2633
3750	1819	2048	1866	2214	1914	2374	1963	2530	2012	2684	2061	2837
4000	1893	2260	1940	2423	1988	2581	2036	2737	2084	2891	2134	3044
4250	1969	2475	2016	2634	2063	2790	2111	2945	2159	3098	---	---
4500	2046	2689	2093	2844	2140	2998	2187	3153	---	---	---	---
4750	2124	2900	2170	3053	---	---	---	---	---	---	---	---
5000	2203	3111	---	---	---	---	---	---	---	---	---	---
5250	---	---	---	---	---	---	---	---	---	---	---	---
5500	---	---	---	---	---	---	---	---	---	---	---	---

BLOWER DATA

POWER EXHAUST FAN PERFORMANCE

Return Air System Static Pressure	Air Volume Exhausted
in. w.g.	cfm
0	3175
0.05	2955
0.10	2685
0.15	2410
0.20	2165
0.25	1920
0.30	1420
0.35	1200

FACTORY INSTALLED OPTIONS/FIELD INSTALLED ACCESSORY AIR RESISTANCE - in. w.g.

Air Volume cfm	Wet Indoor Coil		Gas Heat Exchanger			Economizer	Humiditrol™ + Reheat Coil	Filters			Return Air Adaptor Plate
			Standard Heat	Medium Heat	High Heat			MERV 8	MERV 13	MERV 16	
	092, 102	120, 150									
1750	0.04	0.04	0.06	0.02	0.02	0.05	0.02	0.01	0.03	0.06	0.00
2000	0.05	0.05	0.07	0.05	0.06	0.06	0.02	0.01	0.03	0.08	0.00
2250	0.06	0.06	0.07	0.07	0.08	0.08	0.02	0.01	0.04	0.09	0.00
2500	0.07	0.07	0.09	0.10	0.11	0.11	0.03	0.01	0.05	0.10	0.00
2750	0.08	0.08	0.09	0.11	0.12	0.12	0.03	0.02	0.05	0.11	0.00
3000	0.10	0.09	0.11	0.12	0.13	0.13	0.03	0.02	0.06	0.12	0.02
3250	0.11	0.10	0.12	0.15	0.16	0.15	0.04	0.02	0.06	0.13	0.02
3500	0.12	0.11	0.12	0.16	0.17	0.15	0.04	0.03	0.07	0.15	0.04
3750	0.14	0.13	0.14	0.19	0.20	0.15	0.05	0.03	0.08	0.16	0.07
4000	0.15	0.14	0.14	0.21	0.22	0.19	0.05	0.04	0.08	0.17	0.09
4250	0.17	0.15	0.14	0.24	0.28	0.19	0.06	0.04	0.09	0.19	0.11
4500	0.19	0.17	0.15	0.26	0.32	0.22	0.07	0.04	0.09	0.20	0.12
4750	0.20	0.18	0.16	0.29	0.37	0.25	0.07	0.05	0.10	0.21	0.16
5000	0.22	0.20	0.16	0.34	0.43	0.29	0.08	0.06	0.10	0.23	0.18
5250	0.24	0.22	0.16	0.37	0.47	0.32	0.08	0.06	0.11	0.24	0.19
5500	0.25	0.23	0.18	0.44	0.54	0.34	0.09	0.07	0.12	0.25	0.22
5750	0.27	0.25	0.19	0.49	0.59	0.45	0.10	0.07	0.12	0.27	0.25
6000	0.29	0.27	0.20	0.54	0.64	0.52	0.10	0.08	0.13	0.28	0.27

BLOWER DATA

CEILING DIFFUSERS AIR RESISTANCE - in. w.g.

Unit Size	RTD11 Step-Down Diffuser			FD11 Flush Diffuser	
	Air Volume cfm	2 Ends Open	1 Side, 2 Ends Open		All Ends & Sides Open
092 Models	2400	0.21	0.18	0.15	0.14
	2600	0.24	0.21	0.18	0.17
	2800	0.27	0.24	0.21	0.20
	3000	0.32	0.29	0.25	0.25
	3200	0.41	0.37	0.32	0.31
	3400	0.50	0.45	0.39	0.37
	3600	0.61	0.54	0.48	0.44
	3800	0.73	0.63	0.57	0.51
102 & 120 Models	3600	0.36	0.28	0.23	0.15
	3800	0.40	0.32	0.26	0.18
	4000	0.44	0.36	0.29	0.21
	4200	0.49	0.40	0.33	0.24
	4400	0.54	0.44	0.37	0.27
	4600	0.60	0.49	0.42	0.31
	4800	0.65	0.53	0.46	0.35
	5000	0.69	0.58	0.50	0.39
150 Models	5200	0.75	0.62	0.54	0.43
	4200	0.22	0.19	0.16	0.10
	4400	0.28	0.24	0.20	0.12
	4600	0.34	0.29	0.24	0.15
	4800	0.40	0.34	0.29	0.19
	5000	0.46	0.39	0.34	0.23
	5200	0.52	0.44	0.39	0.27
	5400	0.58	0.49	0.43	0.31
5600	0.64	0.54	0.47	0.35	
5800	0.70	0.59	0.51	0.39	

CEILING DIFFUSER AIR THROW DATA

Model No.	Air Volume	¹ Effective Throw Range	
		RTD11 Step-Down	FD11 Flush
	cfm	ft.	ft.
092 Models	2600	24 - 29	19 - 24
	2800	25 - 30	20 - 28
	3000	27 - 33	21 - 29
	3200	28 - 35	22 - 29
	3400	30 - 37	22 - 30
102, 120 Models	3600	25 - 33	22 - 29
	3800	27 - 35	22 - 30
	4000	29 - 37	24 - 33
	4200	32 - 40	26 - 35
	4400	34 - 42	28 - 37
150 Models	5600	39 - 49	28 - 37
	5800	42 - 51	29 - 38
	6000	44 - 54	40 - 50
	6200	45 - 55	42 - 51
	6400	46 - 55	43 - 52
6600	47 - 56	45 - 56	

¹ Throw is the horizontal or vertical distance an air stream travels on leaving the outlet or diffuser before the maximum velocity is reduced to 50 ft. per minute. Four sides open.

ELECTRICAL DATA**7.5 TON**

Model No.		LGM092U4E/ LGM092U4P		
¹ Voltage - 60Hz		208/230V-3ph	460V-3ph	575V-3ph
Compressor 1	Rated Load Amps	8.5	4	3.2
	Locked Rotor Amps	17	10	12
Compressor 2	Rated Load Amps	13.7	6.1	4.8
	Locked Rotor Amps	83.1	43	33
Outdoor Fan Motors (2)	Full Load Amps	2.8	1.4	1.1
	(total)	(5.6)	(2.8)	(2.2)
Power Exhaust (1) 0.33 HP	Full Load Amps	2.4	1.3	1
Service Outlet 115V GFI (amps)		15	15	20
Indoor Blower Motor	Horsepower	3.75	3.75	3.75
	Full Load Amps	8.8	4.3	3.4
² Maximum Overcurrent Protection (MOCP)	Unit Only	50	20	15
	With (1) 0.33 HP Power Exhaust	50	25	20
³ Minimum Circuit Ampacity (MCA)	Unit Only	41	19	15
	With (1) 0.33 HP Power Exhaust	43	21	16

NOTE - All units have a minimum Short Circuit Current Rating (SCCR) of 5000 amps.

¹ Extremes of operating range are plus and minus 10% of line voltage.² HACR type breaker or fuse.³ Refer to National or Canadian Electrical Code manual to determine wire, fuse and disconnect size requirements.**ELECTRICAL DATA****8.5 TON**

Model No.		LGM102U4E/ LGM102U4P		
¹ Voltage - 60Hz		208/230V-3ph	460V-3ph	575V-3ph
Compressor 1	Rated Load Amps	11.8	5.5	4.4
	Locked Rotor Amps	17	10	12
Compressor 2	Rated Load Amps	13.7	6.1	4.8
	Locked Rotor Amps	83.1	43	33
Outdoor Fan Motors (2)	Full Load Amps	2.8	1.4	1.1
	(total)	(5.6)	(2.8)	(2.2)
Power Exhaust (1) 0.33 HP	Full Load Amps	2.4	1.3	1
Service Outlet 115V GFI (amps)		15	15	20
Indoor Blower Motor	Horsepower	3.75	3.75	3.75
	Full Load Amps	8.8	4.3	3.4
² Maximum Overcurrent Protection (MOCP)	Unit Only	50	25	20
	With (1) 0.33 HP Power Exhaust	50	25	20
³ Minimum Circuit Ampacity (MCA)	Unit Only	44	21	16
	With (1) 0.33 HP Power Exhaust	46	22	17

NOTE - All units have a minimum Short Circuit Current Rating (SCCR) of 5000 amps.

¹ Extremes of operating range are plus and minus 10% of line voltage.² HACR type breaker or fuse.³ Refer to National or Canadian Electrical Code manual to determine wire, fuse and disconnect size requirements.

ELECTRICAL DATA**10 TON**

Model No.		LGM120U4E/ LGM120U4P		
		208/230V-3ph	460V-3ph	575V-3ph
¹ Voltage - 60Hz				
Compressor 1	Rated Load Amps	13.5	6.3	5
	Locked Rotor Amps	21	11	12
Compressor 2	Rated Load Amps	16	7.8	5.7
	Locked Rotor Amps	110	52	38.9
Outdoor Fan Motors (2)	Full Load Amps	2.8	1.4	1.1
	(total)	(5.6)	(2.8)	(2.2)
Power Exhaust (1) 0.33 HP	Full Load Amps	2.4	1.3	1
Service Outlet 115V GFI (amps)		15	15	20
Indoor Blower Motor	Horsepower	3.75	3.75	3.75
	Full Load Amps	8.8	4.3	3.4
² Maximum Overcurrent Protection (MOCP)	Unit Only	60	30	20
	With (1) 0.33 HP Power Exhaust	60	30	20
³ Minimum Circuit Ampacity (MCA)	Unit Only	48	24	18
	With (1) 0.33 HP Power Exhaust	51	25	19

NOTE - All units have a minimum Short Circuit Current Rating (SCCR) of 5000 amps.

¹ Extremes of operating range are plus and minus 10% of line voltage.² HACR type breaker or fuse.³ Refer to National or Canadian Electrical Code manual to determine wire, fuse and disconnect size requirements.**ELECTRICAL DATA****12.5 TON**

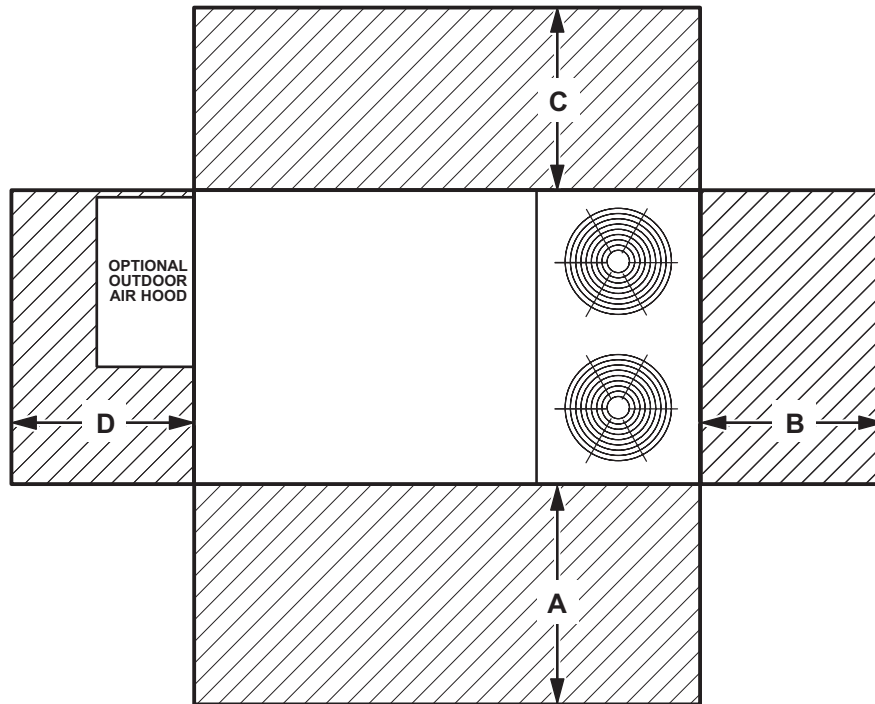
Model No.		LGM150U4E/ LGM150U4P		
		208/230V-3ph	460V-3ph	575V-3ph
¹ Voltage - 60Hz				
Compressor 1	Rated Load Amps	16.4	7.7	6.2
	Locked Rotor Amps	21	11	12
Compressor 2	Rated Load Amps	22.4	10.6	7.7
	Locked Rotor Amps	149	75	54
Outdoor Fan Motors (2)	Full Load Amps	2.8	1.4	1.1
	(total)	5.6	2.8	2.2
Power Exhaust (1) 0.33 HP	Full Load Amps	2.4	1.3	1
Service Outlet 115V GFI (amps)		15	15	20
Indoor Blower Motor	Horsepower	3.75	3.75	3.75
	Full Load Amps	8.8	4.3	3.4
² Maximum Overcurrent Protection (MOCP)	Unit Only	80	35	25
	With (1) 0.33 HP Power Exhaust	80	35	30
³ Minimum Circuit Ampacity (MCA)	Unit Only	59	29	22
	With (1) 0.33 HP Power Exhaust	62	30	23

NOTE - All units have a minimum Short Circuit Current Rating (SCCR) of 5000 amps.

¹ Extremes of operating range are plus and minus 10% of line voltage.² HACR type breaker or fuse.³ Refer to National or Canadian Electrical Code manual to determine wire, fuse and disconnect size requirements.**FIELD WIRING NOTES**

- For use with copper wiring only
- Field wiring not furnished
- All wiring must conform to NEC or CEC and local electrical codes
- For specific wiring information, please refer to the installation instructions

UNIT CLEARANCES



¹ Unit Clearance	A		B		C		D		Top Clearance
	in.	mm	in.	mm	in.	mm	in.	mm	
Service Clearance	60	1524	36	914	36	934	60	1524	Unobstructed
Clearance to Combustibles	36	914	1	25	1	25	1	25	
Minimum Operation Clearance	36	914	36	914	36	914	36	914	

NOTE - Entire perimeter of unit base requires support when elevated above the mounting surface.

¹ Service Clearance - Required for removal of serviceable parts.

Clearance to Combustibles - Required clearance to combustible material.

Minimum Operation Clearance - Required clearance for proper unit operation.

OUTDOOR SOUND DATA

Unit Model Number	Octave Band Sound Power Levels dBA, re 10 ⁻¹² Watts - Center Frequency - Hz							¹ Sound Rating Number (dBA)
	125	250	500	1000	2000	4000	8000	
092-102 Min.	58	62	62	60	55	47	60	68
092-102 Max.	72	77	81	79	74	68	66	85
120-150 Min.	55	60	62	60	56	48	60	67
120-150 Max.	79	78	85	83	79	76	73	89

Note - The octave sound power data does not include tonal corrections.

¹ Sound Rating Number according to AHRI Standard 370-2001 (includes pure tone penalty).

Sound Rating Number is the overall A-Weighted Sound Power Level (LWA), dBA (100 Hz to 10,000 Hz).

WEIGHT DATA				UNIT
Model Number	Net		Shipping	
	lbs.	kg	lbs.	kg
092 Base Unit	1168	530	1253	568
092 Max. Unit	1319	598	1404	637
102 Base Unit	1175	533	1260	572
102 Max. Unit	1326	601	1411	640
120 Base Unit	1210	549	1295	587
120 Max. Unit	1361	617	1446	656
150 Base Unit	1226	556	1311	595
150 Max. Unit	1377	625	1462	663

WEIGHT DATA		OPTIONS / ACCESSORIES	
Model Number	Shipping Weight		
	lbs.	kg	
ECONOMIZER / OUTDOOR AIR / EXHAUST			
Economizer			
Economizer Dampers	60	27	
Outdoor Air Hood (downflow)	23	10	
Barometric Relief Dampers (downflow)	8	4	
Barometric Relief Dampers (low profile horizontal)	20	9	
Outdoor Air Dampers			
Outdoor Air Damper Section - Automatic	51	23	
Outdoor Air Damper Section - Manual	39	18	
Power Exhaust	31	14	
GAS HEAT EXCHANGER (NET WEIGHT)			
Medium Heat (adder over standard heat)	9	5	
High Heat (adder over standard heat)	32	15	
COIL/HAIL GUARDS			
All Models	55	25	
HUMIDITROL™ + HOT GAS REHEAT SYSTEM			
Humiditrol™ + Dehumidification Option	20	9	
ROOF CURBS			
Hybrid Roof Curbs, Downflow			
8 in. height	60	27	
14 in. height	85	39	
18 in. height	100	45	
24 in. height	125	57	
Adjustable Pitch Curb, Downflow			
14 in. height	191	82	
CEILING DIFFUSERS			
Step-Down			
	RTD11-95S	118	54
	RTD11-135S	135	61
	RTD11-185S	168	76
Flush			
	FD11-95S	118	54
	FD11-135S	135	61
	FD11-185S	168	76
Transitions			
	C1DIFF30B-1	30	14
	C1DIFF31B-1	32	15
	C1DIFF32B-1	36	16

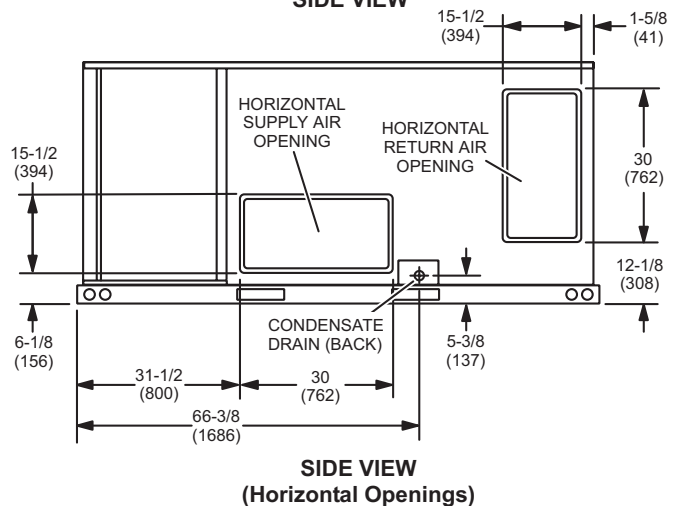
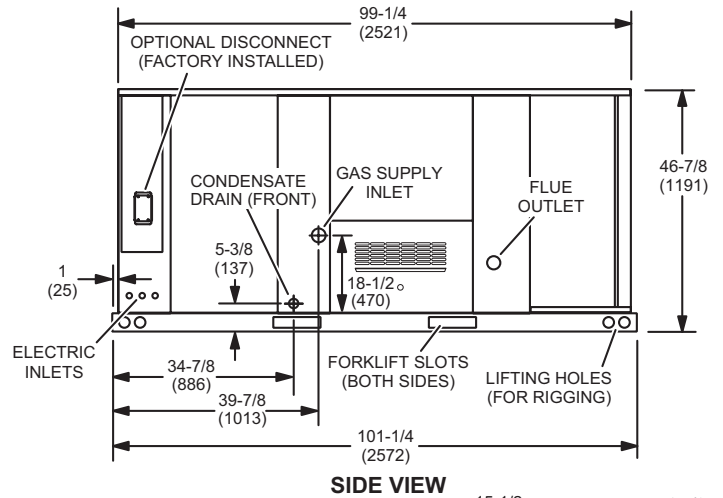
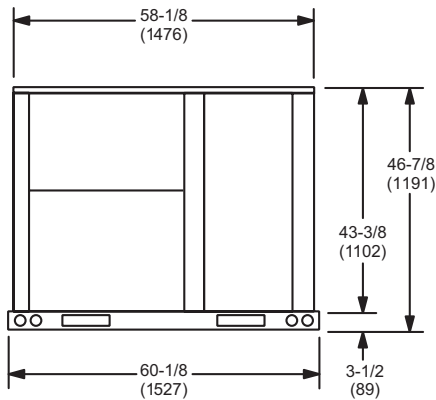
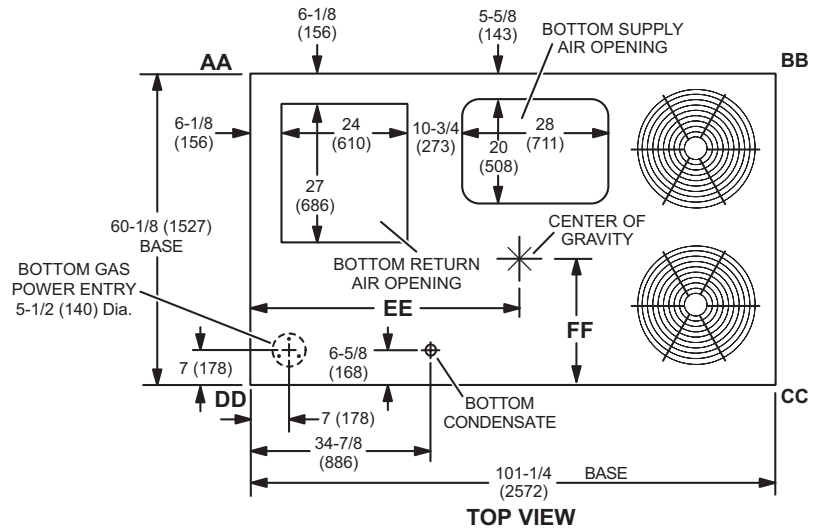
DIMENSIONS

UNIT

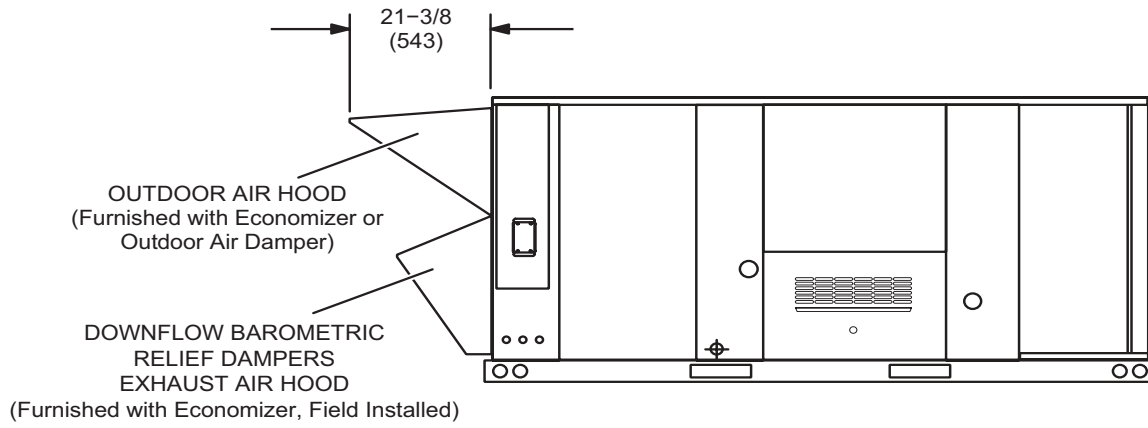
Model No.	CORNER WEIGHTS												CENTER OF GRAVITY											
	AA				BB				CC				DD				EE				FF			
	Base		Max.		Base		Max.		Base		Max.		Base		Max.		Base		Max.		Base		Max.	
	lbs.	kg	lbs.	kg	lbs.	kg	lbs.	kg	lbs.	kg	lbs.	kg	lbs.	kg	lbs.	kg	in.	mm	in.	mm	in.	mm	in.	mm
092	293	133	338	153	263	119	295	134	286	130	316	143	326	148	370	168	46.5	1181	45.5	1156	24.5	622	25.5	648
102	294	134	340	154	265	120	297	135	288	131	318	144	328	149	372	169	46.5	1181	45.5	1156	24.5	622	25.5	648
120	306	139	349	158	275	125	305	138	295	134	326	148	334	152	382	173	46.5	1181	45.5	1156	24.5	622	25.5	648
150	316	143	359	163	284	129	314	142	304	138	393	178	345	157	393	178	46.5	1181	45.5	1156	24.5	622	25.5	648

Base Unit - The unit with NO INTERNAL OPTIONS.

Max. Unit - The unit with ALL INTERNAL OPTIONS Installed. (Economizer, Standard Static Power Exhaust Fans, Controls, etc.). Does not include accessories external to unit or high static power exhaust.

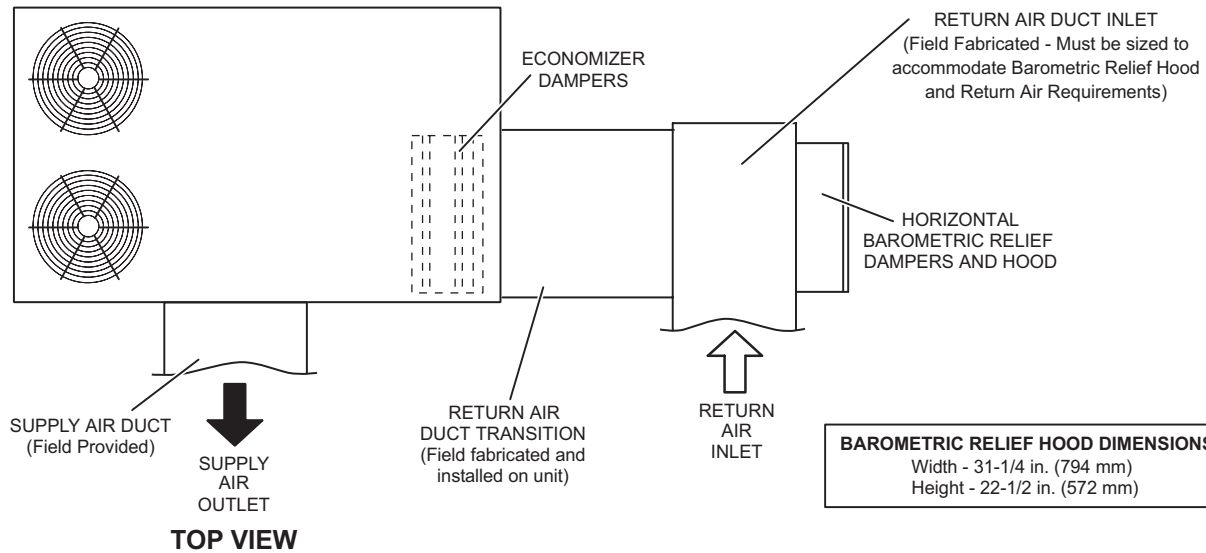


OUTDOOR AIR HOOD DETAIL

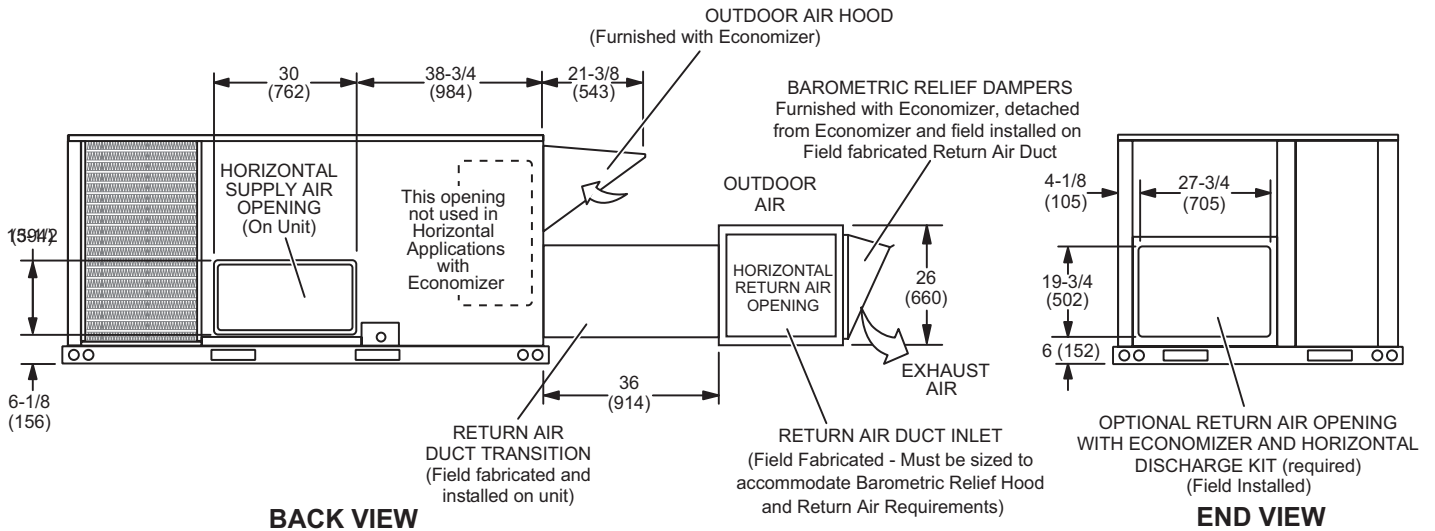


HORIZONTAL ECONOMIZER APPLICATION

(With Furnished Barometric Relief Dampers and Optional Horizontal Discharge Kit - Required)



TOP VIEW



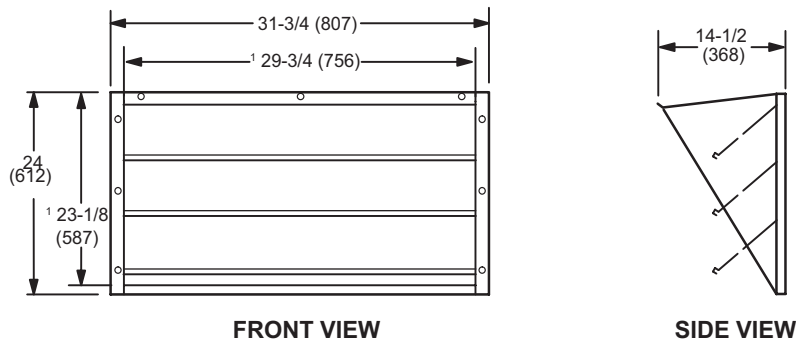
BACK VIEW

END VIEW

NOTE - Return Air Duct and Transition must be supported.

**BAROMETRIC RELIEF DAMPERS
(Furnished with Economizer)**

(Field installed in horizontal return air duct adjacent to unit)



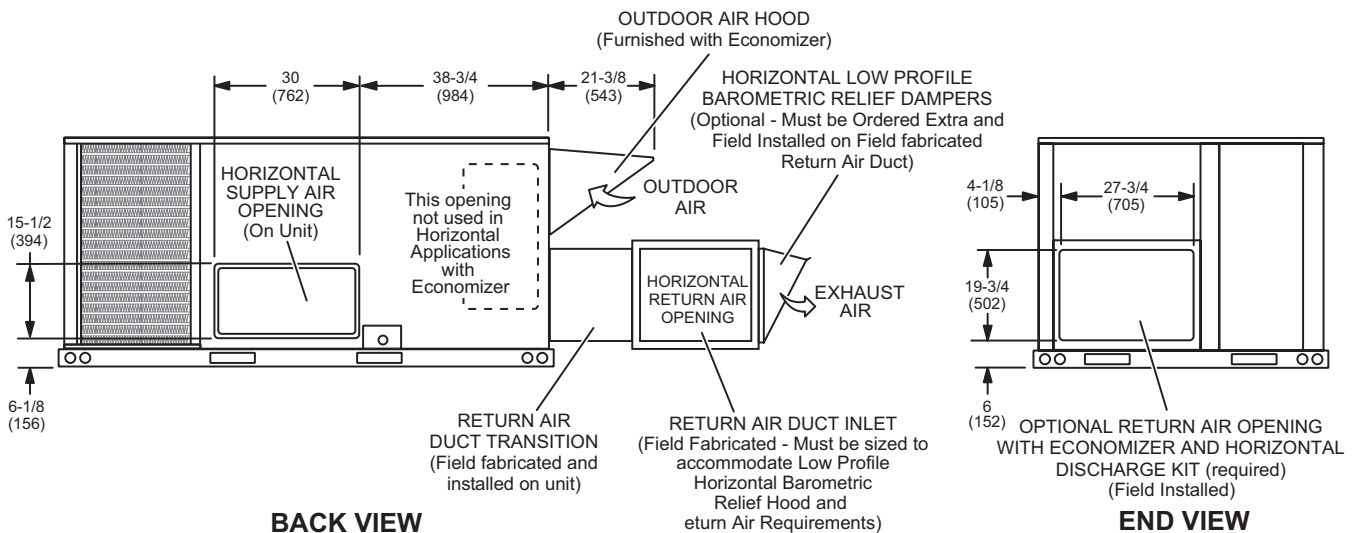
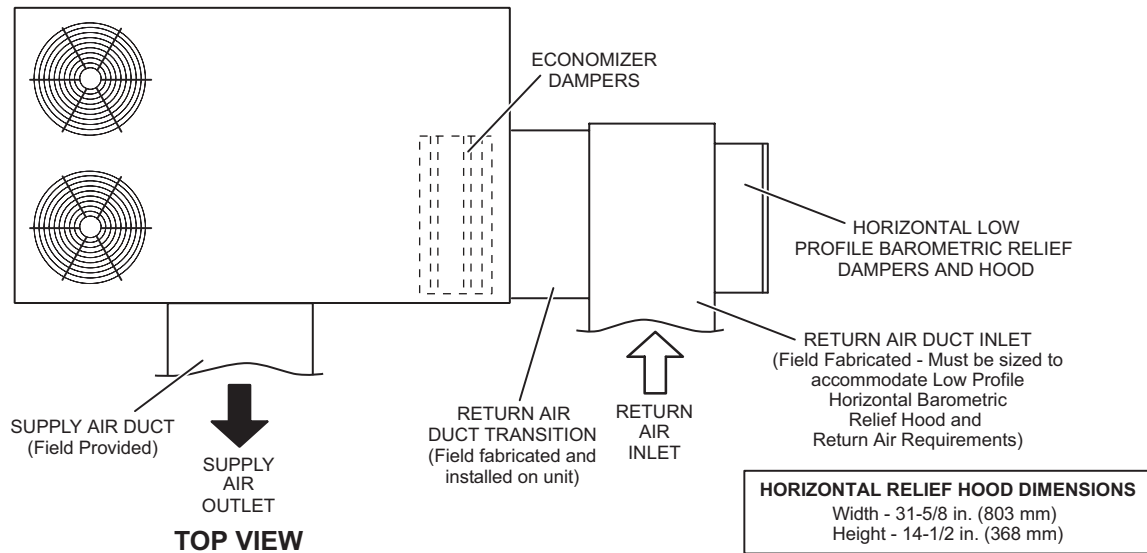
FRONT VIEW

SIDE VIEW

¹ NOTE - Opening size required in return air duct.

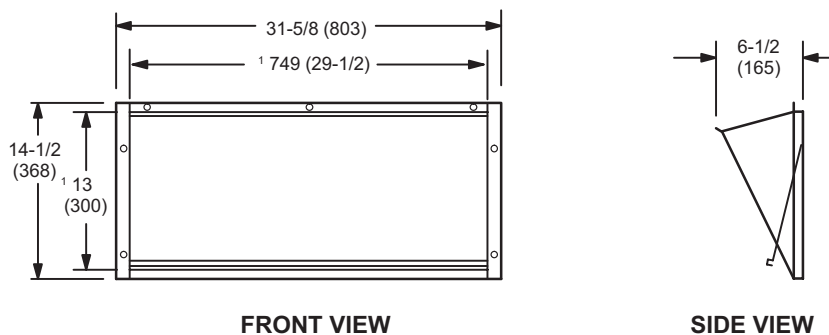
HORIZONTAL ECONOMIZER APPLICATION

(with Optional Low Profile Horizontal Barometric Relief Dampers and Horizontal Discharge Kit - Required)



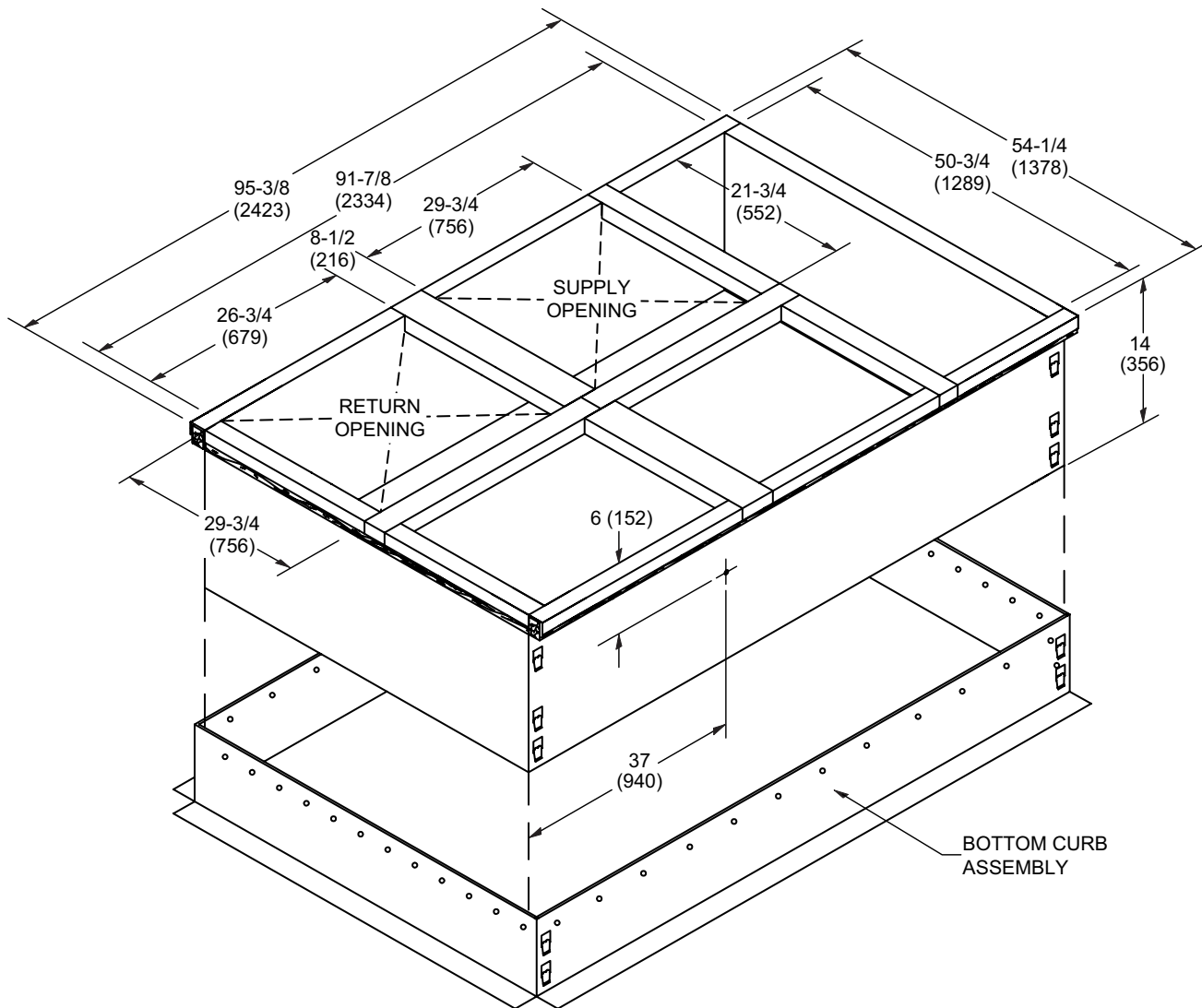
NOTE - Return Air Duct and Transition must be supported.

HORIZONTAL LOW PROFILE BAROMETRIC RELIEF DAMPERS
 (Field installed in horizontal return air duct adjacent to unit)



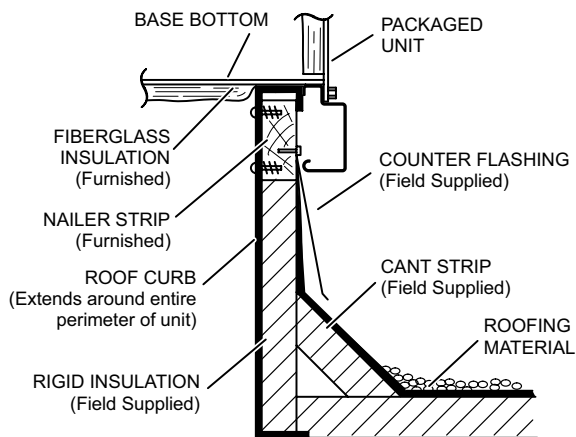
¹ NOTE - Opening size required in return air duct.

ADJUSTABLE PITCH CURBS - DOUBLE DUCT OPENING

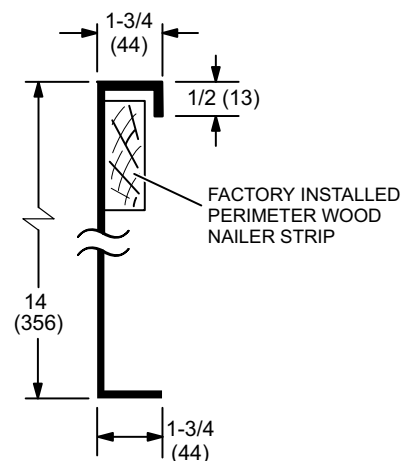


NOTE - Maximum slope pitch is 3/4 in. per 1 foot (19 mm per 305 mm) in any one direction.

TYPICAL FLASHING DETAIL FOR ROOF CURB

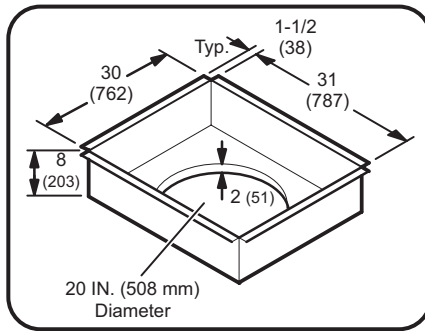


DETAIL ROOF CURB

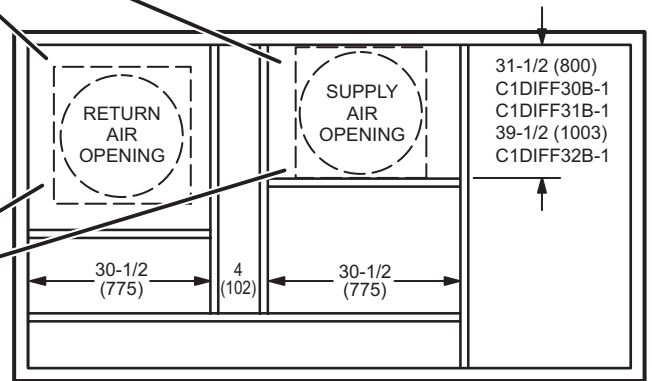
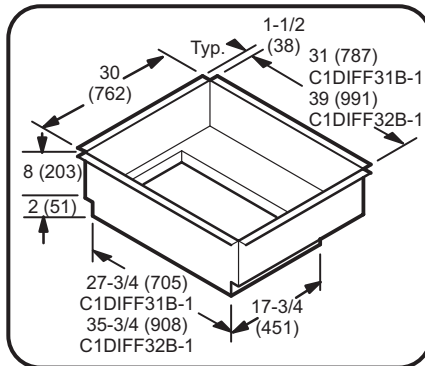


ROOF CURBS WITH SUPPLY & RETURN AIR TRANSITIONS FOR CEILING DIFFUSERS

C1DIFF30B-1 ROUND TRANSITIONS
(for 092 models)



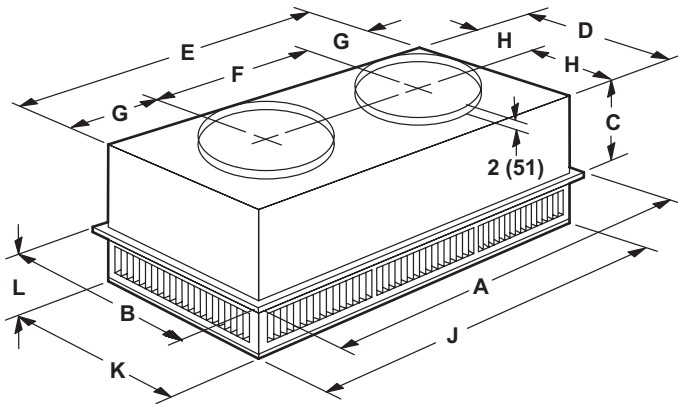
C1DIFF31B-1 & C1DIFF32B-1 RECTANGULAR TRANSITIONS
(for 102 thru 150 models)



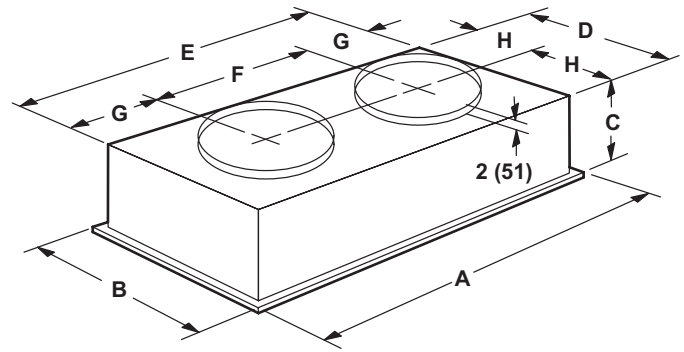
TOP VIEW

COMBINATION CEILING SUPPLY AND RETURN DIFFUSERS

STEP-DOWN CEILING DIFFUSER



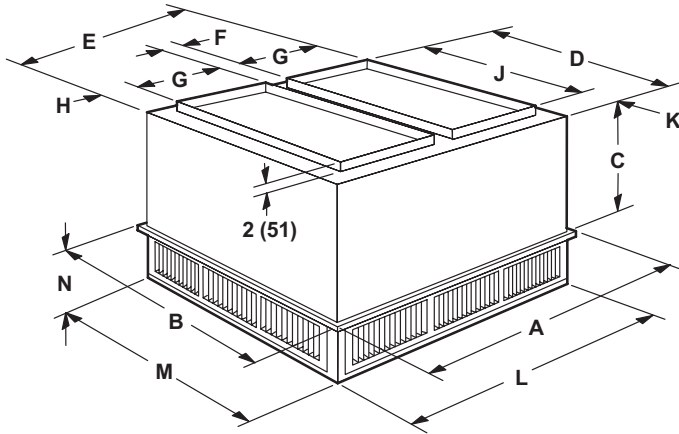
FLUSH CEILING DIFFUSER



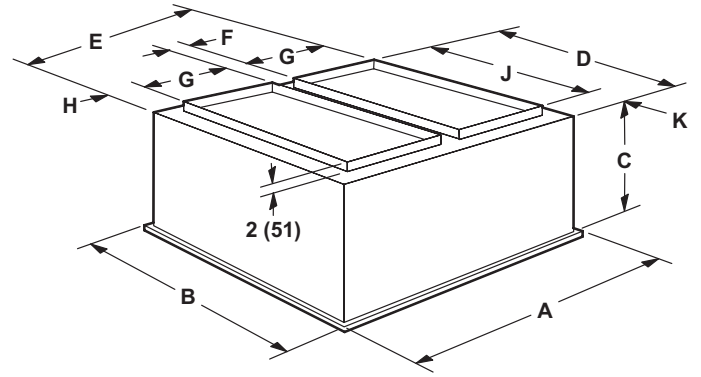
Model Number		RTD11-95S
A	in.	47-5/8
	mm	1159
B	in.	29-5/8
	mm	752
C	in.	14-3/8
	mm	365
D	in.	27-1/2
	mm	699
E	in.	45-1/2
	mm	1158
F	in.	22-1/2
	mm	572
G	in.	11-1/2
	mm	292
H	in.	13-3/4
	mm	349
J	in.	45-1/2
	mm	1156
K	in.	27-1/2
	mm	699
L	in.	8-1/8
	mm	206
Duct Size	in.	20 round
	mm	508 round

Model Number		FD11-95S
A	in.	47-5/8
	mm	1159
B	in.	29-5/8
	mm	752
C	in.	16-5/8
	mm	422
D	in.	27
	mm	686
E	in.	45
	mm	1143
F	in.	22-1/2
	mm	572
G	in.	11-1/4
	mm	286
H	in.	13-1/2
	mm	343
Duct Size	in.	20 round
	mm	508 round

COMBINATION CEILING SUPPLY AND RETURN DIFFUSERS
STEP-DOWN CEILING DIFFUSER



FLUSH CEILING DIFFUSER



Model Number		RTD11-135S	RTD11-185S
A	in.	47-5/8	47-5/8
	mm	1210	1210
B	in.	35-5/8	47-5/8
	mm	905	1210
C	in.	20-5/8	24-5/8
	mm	524	625
D	in.	33-1/2	45-1/2
	mm	851	1156
E	in.	45-1/2	45-1/2
	mm	1156	1156
F	in.	4-1/2	4-1/2
	mm	114	114
G	in.	18	18
	mm	457	457
H	in.	2-1/2	2-1/2
	mm	64	64
J	in.	28	36
	mm	711	914
K	in.	2-3/4	4-3/4
	mm	70	121
L	in.	45-1/2	45-1/2
	mm	1156	1156
M	in.	33-1/2	45-1/2
	mm	851	1156
N	in.	9-1/8	10-1/8
	mm	232	257
Duct Size	in.	18 x 28	18 x 36
	mm	457 x 711	457 x 914

Model Number		FD11-135S	FD11-185S
A	in.	47-5/8	47-5/8
	mm	1210	1210
B	in.	35-5/8	47-5/8
	mm	905	1210
C	in.	23-1/4	29-1/4
	mm	591	743
D	in.	33	45
	mm	838	1143
E	in.	45	45
	mm	1143	1143
F	in.	4-1/2	4-1/2
	mm	114	114
G	in.	18	18
	mm	457	457
H	in.	2-1/4	2-1/4
	mm	57	57
J	in.	28	36
	mm	711	914
K	in.	2-1/2	4-1/2
	mm	64	114
Duct Size	in.	18 x 28	18 x 36
	mm	457 x 711	457 x 914

REVISIONS

Section	Description
Optional Conventional Temperature Control Systems	Added wired temperature/humidity sensor.



Intertek



HRAI
✓ MEMBER COMPANY



Visit us at www.Lennox.com

For the latest technical information, www.LennoxCommercial.com

Contact us at 1-800-4-LENNOX

NOTE - Due to Lennox' ongoing commitment to quality, Specifications, Ratings and Dimensions subject to change without notice and without incurring liability. Improper installation, adjustment, alteration, service or maintenance can cause property damage or personal injury. Installation and service must be performed by a qualified installer and servicing agency.

©2022 Lennox Industries, Inc.