



LRP14GN

Ultra-Low NOx

Three-Phase - R-410A - 60 Hz

**COMMERCIAL
PRODUCT SPECIFICATIONS**

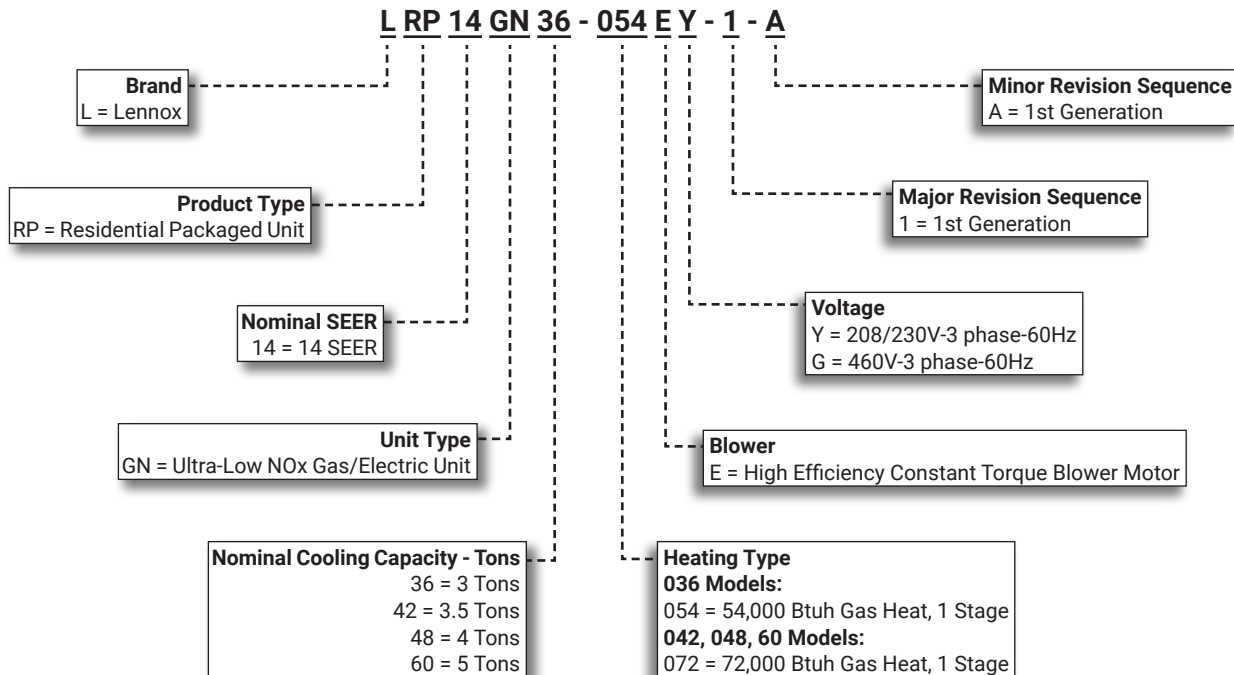
Bulletin No. 210960
January 2022
Supersedes November 2021



SEER - 14.00
AFUE - 81%
3 to 5 Tons

Cooling Capacity - 34,600 to 57,000 Btuh
Input Gas Heating Capacity - 54,000 to 72,000 Btuh

MODEL NUMBER IDENTIFICATION



NOTE - ALL MODELS ARE NATURAL GAS ONLY!
NOTE - NOT AVAILABLE IN ALL AREAS!
CONTACT YOUR NEAREST LENNOX SALES OFFICE FOR DETAILS.

CONTENTS

Approvals And Warranty	2
Blower Data	13
Dimensions	18
- Unit	18
- Accessories	19
Electrical Data	16
Features And Benefits	3
Installation Clearances	17
Minimum Clearance To Combustible Material	17
Model Number Identification.	1
Options / Accessories	7
Ratings	11
Specifications	9
Specifications - Gas Heat	10
Weight Data	17
- Unit	17
- Options / Accessories.	17

APPROVALS AND WARRANTY

APPROVALS

- AHRI Standard 210/240 Certified
- Design Certified by ETL Intertek
- Cooling system rated according to DOE test procedures
- Heating ratings are Certified by AHRI according to U.S. Department of Energy (DOE) test procedures and Federal Trade Commission (FTC) labeling regulations
- Approved by the California Energy Commission and meets California Nitrogen Oxides Standard (NOx) limits of 14 ng/J
- Units are ETL Certified for the U.S. and Canada
- All models with the Optional Seismic Strapping Kit installed have Seismic Certification for 2018 International Building Code (IBC) and 2019 California Building Code (CBC) ASCE 7
- Unit and components are UL bonded for grounding to meet safety standards for servicing
- Test operated at the factory before shipment ensuring dependable operation at start-up

WARRANTY

- Heat exchanger - Limited ten years
- Compressors - Limited five years
- All other covered components - Limited one year

FEATURES AND BENEFITS

HEATING SYSTEM

Heat Exchanger Assembly

- Heavy gauge stainless steel heat exchanger
- Tubular type design
- Designed for normal expansion and contraction
- Round surfaces create minimum resistance to air flow for excellent heat transfer
- Heat exchanger has been laboratory life cycle tested in excess of industry standards
- Compact size of heat exchanger permits low overall design of furnace cabinet

Burner Orifice/Air Intake Assembly

- Burner assembly has a single orifice located between the gas valve and the air intake assembly
- Orifice is precisely matched to the burner input

Direct Spark Ignition

- Provides positive and safe main burner ignition
- Spark is intermittent and occurs only when required

Modulating Gas Control Valve

- 24 volt redundant combination modulating gas control valve combines manual shut off switch (On-Off), automatic electric valve (dual) and gas pressure regulation into a compact combination control

Variable-Speed Combustion Air Inducer

- Heavy duty variable-speed blower prepurges heat exchanger and safely vents flue products
- Pressure switch proves blower operation before allowing gas valve to open
- Operates only during heating cycle

NOTE - Inducer operates the first 10 seconds of each cooling cycle to keep flue outlet clear during the cooling season.

Thermal Switch

- Factory installed on air/fuel intake assembly
- Automatic reset
- Switch provides protection from abnormal operating conditions

Limit Control

- Primary limit is accurately located on vestibule panel on all units
- Automatic reset

Ignition Control Board

- Ignition control board with LED diagnostics

Ultra-Low NOx

- All models are standard ultra-low NOx (14 ng/J)

Optional Accessories

Bottom Gas Entry Kit

- Allows gas piping connection through the unit base pan

Vertical Vent Extension Kit

- Use to exhaust flue gases vertically above unit
- Required when unit vent is too close to fresh air intakes per building codes

REFRIGERATION SYSTEM

R-410A Refrigerant

- Non-chlorine, ozone friendly
- Unit is factory pre-charged

Evaporator and Condenser Coils

- Copper tube with aluminum fin coils
- Factory leak tested

Anti-Microbial Condensate Drain Pan

- Anti-Microbial additive resists growth of mold and mildew on drain pan which improves indoor air quality and reduces drain line blockage
- Insulated to reduce condensation
- Side drain connection

Drain Pan Overflow Switch

- Monitors condensate level in drain pan
- Shuts down unit if drain becomes clogged

Outdoor Coil Fan Motor

- Weather protected heavy duty condenser fan motor
- Coated steel fan blades for long life
- Corrosion-resistant coated steel fan guard
- Internally mounted
- Totally enclosed fan motor

High Pressure Switch

- Protects the system from high pressure conditions
- Automatic reset.

Loss of Charge Switch

- Shuts off unit if suction pressure falls below setting
- Loss of charge and freeze-up protection

Service Valves

- Fully serviceable brass valves installed in discharge and liquid lines

FEATURES AND BENEFITS

COMPRESSOR

Scroll Compressor

- High volumetric efficiency
- Uniform suction flow
- Constant discharge flow
- Quiet operation
- Low gas pulses during compression reduces operational sound levels
- Compressor motor is internally protected from excessive current and temperature
- Compressor is installed in the unit on resilient rubber mounts for vibration free operation

Scroll Compressor Operation

- Two involute spiral scrolls matched together generate a series of crescent-shaped gas pockets between them
- During compression, one scroll remains stationary while the other scroll orbits around it
- Gas is drawn into the outer pocket, the pocket is sealed as the scroll rotates
- As the spiral movement continues, gas pockets are pushed to the center of the scrolls. Volume between the pockets is simultaneously reduced
- When the pocket reaches the center, gas is now at high pressure and is forced out of a port located in the center of the fixed scrolls
- During compression, several pockets are compressed simultaneously resulting in a smooth continuous compression cycle
- Continuous flank contact, maintained by centrifugal force, minimizes gas leakage and maximizes efficiency
- Compressor is tolerant to the effects of slugging and contaminants. If this occurs, scrolls separate, allowing liquid or contaminants to be worked toward the center and discharged
- Muffler in discharge line reduces operating sound levels

Optional Accessories

Compressor Crankcase Heater

- Protects against refrigerant migration that can occur during low ambient operation

Compressor Timed-Off Control

- Prevents compressor short-cycling
- Allows time for suction and discharge pressure to equalize
- Permits compressor start-up in an unloaded condition
- Automatic reset
- Five minute delay between compressor shut-off and start-up

Freezestat

- Senses suction line temperature
- Cycles compressor off when suction line temperature falls below its setpoint

Low Ambient Kit (40°F)

- Cycles the outdoor fan while allowing compressor operation in the cooling cycle
- This intermittent fan operation allows the system to operate without icing the evaporator coil and losing capacity
- Designed for use in ambient temperatures no lower than 40°F

NOTE - Crankcase heater and freezestat are recommended on compressor equipped with a low ambient kit.

CABINET

- Conditioned areas insulated with foil faced insulation to minimize heat loss and reduce operating sound levels
- Powder paint for maximum durability
- Full perimeter heavy-gauge galvanized steel base rails
- Base rails have rigging holes
- Two sides of the base rails have forklift slots
- Raised edges around duct and power entry openings in the bottom of the unit for water protection
- Easy service access
- Steel louvered panels provides complete coil protection

Airflow Choice

- Units are shipped with supply and return air duct covers installed for downflow or horizontal conversion

Gas Piping Inlets, Electrical Inlets and Service Valves

- Standard gas piping and field wiring inlets are located in one central area of the cabinet
- See dimension drawing
- Service valves with gauge ports are located inside the cabinet

Optional Accessories

Bottom Gas Entry Kit

- Field installed piping kit to facilitate bottom gas entry

Bottom Power Entry Kit

- Allows high and low voltage wiring connections through the unit base pan

Base Rail Openings Closure Kit

- Kit consists of panels and hardware to cover rigging holes and forklift slots in unit base rails

Rectangular to Round Duct Adaptor Kits

- Downflow or horizontal kits available
- Converts rectangular supply and return air openings on unit cabinet to round diameter
- Several sizes available

Tool-Less Filter Access Kit

- Converts blower access panel to two-piece design
- One panel is equipped with tool-less latches for ease filter access without removing entire blower panel

NOTE - Tool-Less Filter Access Kit is not for seismic-rated applications.

FEATURES AND BENEFITS

CONTROLS

24 Volt Transformer

- 70VA transformer furnished and factory installed in control area

Optional Accessories

Field Installed

Smoke Detector

- Photoelectric type
- Installed in supply air and/or return air ducts
- Available with one sensor or two sensors

Thermostats

- For thermostat options, see Optional Conventional Temperature Control Systems on Page 23

BLOWER

- Direct drive blower
- Blower wheel is statically and dynamically balanced
- Resiliently mounted
- Blower assembly easily removed for servicing

Constant Torque Blower Motor

- DC Brushless Motor
- High Efficiency Constant Torque
- ECM (Electronically Commutated Motor)
- Motor is programmed to provide constant torque at each of the selectable speeds
- Fixed blower "On" delay prevents cold air from entering system during gas heating demand
- See Blower Performance tables

INDOOR AIR QUALITY

Air Filters

- Filter rack furnished as standard
- See Specifications Table for sizes

NOTE - Filters must be field provided.

OPTIONS / ACCESSORIES

ECONOMIZER

Field Installed

Economizer

(Standard and High Performance Common Features)

- Convertible to downflow or horizontal
- Outdoor Air Hood is furnished
- Includes Barometric Relief Dampers with Exhaust Hood
- Barometric Relief Dampers allow relief of excess air,
- Aluminum blade dampers prevent blow back and outdoor air infiltration during off cycle
- Exhaust hood with bird screen furnished
- Single temperature control is furnished with Economizer
- Outdoor air sensor enables Economizer if the outdoor temperature is less than the setpoint of the control

Standard Economizer Features (Not for Title 24)

- Gear-driven action
- Return air and outdoor air dampers
- Plug-in connections to unit
- Nylon bearings
- Neoprene seals
- 24-volt
- Fully-modulating spring return motor

Standard Economizer Control Module

The Standard Economizer Control Module can be adjusted to operate based on outdoor air temperatures

Economizer Controls:

- **Damper Minimum Position** - Can be set lower than traditional minimum air requirements resulting in cost savings
- **Free Cool LED** - A steady green LED indicates outdoor air is suitable for free cooling

NOTE - Free Cooling runs when outdoor air temperature is lower than the set temperature on the economizer control.

NOTE: The Free Cooling default setting for outdoor air temperature sensor is 55°F.

High Performance Economizer Features

- Approved for California Title 24 building standards
- Low leakage dampers are Air Movement and Control Association International (AMCA) Class 1A Certified - Maximum 3 cfm per sq. ft. leakage at 1 in. w.g.
- ASHRAE 90.1 compliant
- Gear-driven action
- High torque 24-volt fully-modulating spring return damper motor
- Return air and outdoor air dampers
- Plug-in connections to unit
- Stainless steel bearings
- Enhanced neoprene blade edge seals
- Flexible stainless steel jamb seals minimize air leakage





OPTIONS / ACCESSORIES

ECONOMIZER (continued)

NOTE - High Performance Economizers are not approved for use with enthalpy controls in Title 24 applications.

NOTE - The Free Cooling setpoint for Title 24 applications must be set based on the Climate Zone where the system is installed. See Section 140.4 "Prescriptive Requirements for Space Conditioning Systems" of the California Energy Commission's 2013 Building Energy Efficiency Standards. Refer to Installation Instructions for complete setup information and menu parameters available.

High Performance Economizer Control Module

- Module provides inputs and outputs to control economizer based on parameter settings
- Module automatically detects sensors by polling to determine which sensors are installed in system
- Module displays any alarm messages (fault detection and diagnostics) as an aid in troubleshooting
- Non-volatile memory retains parameter settings in case of power failure
- Keypad with four navigation buttons and LCD screen is furnished for setting economizer parameters
 - Menu Up/Exit  button returns to the main menu
 - Arrow Up  button moves to the previous or next parameter within the selected menu
 - Arrow Down  button moves to the next parameter within the selected menu
 - Select (enter)  button confirms parameter selection

High Performance Economizer Control Module (continued) Main Menu Structure:

- STATUS (economizer and system operation status)
- SETPOINTS (settings for various setpoint parameters)
- SYSTEM SETUP (settings/information about the system)
- ADVANCED SETUP (freeze protection, CO₂ settings, stage 3 delay, and additional calibration settings)
- CHECKOUT (damper positions)
- ALARMS (output signal that can be configured for remote alarm monitoring)

NOTE - Refer to Installation Instructions for complete setup information and menu parameters available.

Field Installed

Single Enthalpy Temperature Control (Not for Title 24)

- Outdoor air enthalpy sensor enables Economizer if the outdoor enthalpy is less than the setpoint of the control

OUTDOOR AIR

Field Installed

Outdoor Air Dampers - Downflow

- Single blade damper
- 0 to 25% (fixed) outdoor air adjustable
- Installs in unit
- Outdoor air hood is furnished
- Automatic model features fully modulating spring return damper motor with plug-in connection
- Manual model features a slide damper

NOTE - Maximum mixed air temperature in cooling mode is 100°F.

ROOF CURBS

Field Installed

Clip Curb (Full Perimeter)

- Interlocking tabs fasten corners together
- No tools required
- Fully gasketed around curb perimeter and supply and return openings
- Available in 8, 14, 18 and 24 inch heights
- Shipped knocked down

Adjustable Pitch Clip Curb (Full Perimeter)

- Fully adjustable pitch curb provides a level platform for packaged units
- Allows flexible installations on roofs with sloped or uneven angles
- Adjustable from 2/12 to 6/12 pitch
- Fully gasketed around curb perimeter and supply and return openings
- Shipped knocked down

All Curbs

- IBC 2018 compliant
- CBC 2019 compliant
- Seismic rating - SDS 2.0g, z/h=1, Ip=1.5
- Wind rating - 240 mph (Lateral), 214 mph (Uplift)
- Maximum load rating - 800 lbs.

Adaptor Curbs (not shown)

- Curbs are regionally sourced
- Dimensions vary based upon the source

NOTE - Contact your local sales representative for a detailed cut sheet with applicable dimensions.

Strapping Kit - Hurricane

- Galvanized steel .07 in. thick minimum
- Attaches unit base rails to host structure
- Separate kits available for Slab Mount or Rail Mount

Strapping Kit - Seismic

- Heavy-gauge galvanized steel
- Kit contains 4 brackets and mounting hardware

OPTIONS / ACCESSORIES

Item	Catalog No.	Model No.				
		LRP14GN36	LRP14GN42	LRP14GN48	LRP14GN60	
COOLING SYSTEM						
Compressor Crankcase Heater	208/230V-3ph	11X27	X	X	X	X
	460V-3ph	21D21	X	X	X	X
Compressor Timed-Off Control		47J27	X	X	X	X
Freezestat		21D23	X	X	X	X
Low Ambient Kit (40°F)		21D20	X	X	X	X
HEATING SYSTEM						
Gas Heat Input	54 kBtuh input	Factory	X			
	72 kBtuh input	Factory		X	X	X
Bottom Gas Entry Kit		22G63	X	X	X	X
Vertical Vent Extension Kit		21J79	X	X	X	X
CABINET						
Base Rail Openings Closure Kit		21J84	X	X	X	X
Rectangular to Round Duct Adaptor Kits	Downflow - 14 in. dia.	21D26	X	X	X	X
	Horizontal - 14 in. dia.	21D24	X	X	X	X
	- 16 in. dia.	22U78	X	X	X	X
	- 18 in. dia.	22U79	X	X	X	X
¹ Tool-Less Filter Access Kit		21J80	X	X	X	X
CONTROLS						
Smoke Detector - Supply or Return (one sensor)		21U21	X	X	X	X
Smoke Detector - Supply and Return (two sensors)		21U22	X	X	X	X
ELECTRICAL						
Bottom Power Entry Kit		21J78	X	X	X	X
ECONOMIZER						
Standard Economizer With Outdoor Air Hood (Not for Title 24)						
Downflow or Horizontal (Includes Barometric Relief Dampers and Exhaust Hood)		21U15	X	X	X	X
High Performance Economizer With Outdoor Air Hood (Approved for California Title 24 Building Standards / AMCA Class 1A Certified)						
Downflow or Horizontal (Includes Barometric Relief Dampers and Exhaust Hood)		21U17	X	X	X	X
Economizer Controls						
Single Enthalpy Control (Standard)		21Z09	X	X	X	X
Single Enthalpy Control (High Performance)		11G21	X	X	X	X
OUTDOOR AIR						
Outdoor Air Dampers With Outdoor Air Hood						
Motorized		21U19	X	X	X	X
Manual		21U20	X	X	X	X

¹ Not for seismic-rated applications.

X = Field Installed

OPTIONS / ACCESSORIES

Item	Catalog No.	Model No.			
		LRP14GN36	LRP14GN42	LRP14GN48	LRP14GN60
ROOF CURBS					
Clip Curbs					
8 in height	21J17	X	X	X	X
14 in height	21J19	X	X	X	X
18 in height	21J20	X	X	X	X
24 in height	21J25	X	X	X	X
Adjustable Pitch Clip Curb					
14 in height	21U04	X	X	X	X
Strapping Kits for Roof Curbs					
Strapping Kit - Hurricane (Slab Mount)	21J74	X	X	X	X
Strapping Kit - Hurricane (Rail Mount)	22C53	X	X	X	X
Strapping Kit - Seismic	21J75	X	X	X	X

X = Field Installed

SPECIFICATIONS

General Data		Nominal Tonnage	3 Ton	3.5 Ton	4 Ton	5 Ton
	Model Number		LRP14GN36	LRP14GN42	LRP14GN48	LRP14GN60
	Efficiency Type		Standard	Standard	Standard	Standard
	Blower Type		Direct Drive (ECM)	Direct Drive (ECM)	Direct Drive (ECM)	Direct Drive (ECM)
Cooling Performance	Gross Cooling Capacity - Btuh		35,000	41,500	48,000	59,000
	¹ Net Cooling Capacity - Btuh		34,000	40,000	46,000	57,000
	AHRI Rated Air Flow - cfm		1200	1400	1600	1800
	Total Unit Power - kW		2.80	3.26	3.76	4.85
	¹ SEER		14.00	14.00	14.00	14.00
	¹ EER		11.50	11.50	11.50	11.50
Refrigerant Charge	Refrigerant Type		R-410A	R-410A	R-410A	R-410A
			7 lbs. 0 oz.	6 lbs 14 oz.	7 lbs. 3 oz.	8 lbs. 11 oz.
Gas Heating Options		See Page 10				
Compressor Type			Scroll (1)	Scroll (1)	Scroll (1)	Scroll (1)
Outdoor Coil	Net face area (total) - sq. ft.		19.53	19.53	19.53	16.60
	Tube diameter - in.		5/16	5/16	5/16	5/16
	Number of rows		1	1	1	2
	Fins per inch		26	26	26	22
Outdoor Coil Fan	Motor - (No.) horsepower		(1) 1/3	(1) 1/3	(1) 1/3	(1) 1/3
	Motor rpm		825	825	825	825
	Total Motor Input - watts		280	280	280	280
	Diameter - (No.) in.		(1) 24	(1) 24	(1) 24	(1) 24
	Number of blades		3	3	3	3
Indoor Coil	Net face area (total) - sq. ft.		6.75	6.75	6.75	6.75
	Tube diameter - in.		5/16	5/16	5/16	3/8
	Number of rows		3	3	3	3
	Fins per inch		15	15	15	15
	Drain connection (Number) and size - in.		(1) 3/4 in. NPT coupling			
	Expansion device type		Refrigerant Metering Orifice			
Indoor Blower	Nominal motor HP		0.75 HP (ECM)	0.75 HP (ECM)	1.0 HP (ECM)	1.0 HP (ECM)
	Blower wheel nominal diameter x width - in.		(1) 12 x 9	(1) 12 x 9	(1) 12 x 9	(1) 12 x 10
² Filters	Type of filter		Disposable			
	Number and size - in.		(2) 20 x 20 x 1	(2) 20 x 20 x 1	(2) 20 x 20 x 1	(2) 20 x 20 x 1
Electrical characteristics			208/230V or 460V-60Hz -3ph			

NOTE - Net capacity includes evaporator blower motor heat deduction. Gross capacity does not include evaporator blower motor heat deduction.

¹ AHRI Certified to AHRI Standard 210/240: 95°F outdoor air temperature and 80°F db/67°F wb entering evaporator air; minimum external duct static pressure.

² Filters are not furnished and must be field provided.

SPECIFICATIONS - GAS HEAT

General Data	Model No.	LRP14GN36	LRP14GN42 LRP14GN48 LRP14GN60
Heating Capacity Btuh	Input	54,000	72,000
	Output	43,740	58,320
¹ AFUE		81%	81%
Temperature Rise - °F		30-60	25-55
Gas Supply Connection (FPT) - in.		1/2	1/2
Gas Supply Pressure		5 in. w.g. (min.) / 10.5 in. w.g. (max.) Natural Gas	

¹ Annual Fuel Utilization Efficiency based on U.S. DOE test procedures and FTC labeling regulations.

HIGH ALTITUDE DERATE

Units may be installed at altitudes up to 4500 feet above sea level without any modification.

NOTE - Units are not approved for installation above 4500 feet.

RATINGS

NOTE – For Temperatures and Capacities not shown in tables, see bulletin – Cooling Unit Rating Table Correction Factor Data in Miscellaneous Engineering Data section.

3 TON - LRP14GN36

Entering Wet Bulb Temperature	Total Air Volume	Outdoor Air Temperature Entering Outdoor Coil																													
		85°F						95°F						105°F						115°F						125°F					
		Total Cool Cap.	Comp. Motor Input	Sensible/Total Ratio (S/T)			Total Cool Cap.	Comp. Motor Input	Sensible/Total Ratio (S/T)			Total Cool Cap.	Comp. Motor Input	Sensible/Total Ratio (S/T)			Total Cool Cap.	Comp. Motor Input	Sensible/Total Ratio (S/T)			Total Cool Cap.	Comp. Motor Input	Sensible/Total Ratio (S/T)							
				Dry Bulb					Dry Bulb					Dry Bulb					Dry Bulb												
		cfm	kBtuh	kW	75°F	80°F	85°F	kBtuh	kW	75°F	80°F	85°F	kBtuh	kW	75°F	80°F	85°F	kBtuh	kW	75°F	80°F	85°F	kBtuh	kW	75°F	80°F	85°F				
59°F	1050	34.2	1.93	.94	1.00	1.00	32.8	2.21	.96	1.00	1.00	31.2	2.52	.98	1.00	1.00	29.6	2.89	1.00	1.00	1.00	27.6	3.32	1.00	1.00	1.00					
	1200	35.6	1.93	.97	1.00	1.00	34.0	2.21	.99	1.00	1.00	32.4	2.52	1.00	1.00	1.00	30.6	2.89	1.00	1.00	1.00	28.6	3.33	1.00	1.00	1.00					
	1350	36.8	1.94	1.00	1.00	1.00	35.2	2.21	1.00	1.00	1.00	33.6	2.53	1.00	1.00	1.00	31.6	2.90	1.00	1.00	1.00	29.4	3.33	1.00	1.00	1.00					
63°F	1050	35.0	1.93	.76	.91	1.00	33.2	2.20	.78	.93	1.00	31.6	2.52	.80	.95	1.00	29.6	2.88	.83	.98	1.00	27.6	3.32	.86	1.00	1.00					
	1200	36.0	1.93	.79	.95	1.00	34.4	2.21	.82	.97	1.00	32.6	2.53	.84	.99	1.00	30.6	2.90	.86	1.00	1.00	28.6	3.32	.90	1.00	1.00					
	1350	37.0	1.94	.83	.98	1.00	35.2	2.22	.85	1.00	1.00	33.6	2.53	.87	1.00	1.00	31.6	2.90	.90	1.00	1.00	29.4	3.32	.93	1.00	1.00					
67°F	1050	37.0	1.94	.60	.74	.88	35.2	2.21	.61	.76	.90	33.4	2.53	.61	.78	.92	31.2	2.90	.63	.80	.95	28.8	3.33	.66	.84	.98					
	1200	38.0	1.95	.62	.77	.92	36.0	2.21	.63	.79	.94	34.0	2.53	.64	.82	.96	31.8	2.89	.65	.84	.99	29.4	3.32	.69	.88	1.00					
	1350	38.5	1.95	.64	.80	.95	36.8	2.22	.64	.83	.97	34.6	2.53	.66	.85	1.00	32.4	2.90	.68	.88	1.00	30.0	3.33	.71	.92	1.00					
71°F	1050	39.0	1.95	.45	.59	.72	37.2	2.22	.45	.60	.73	35.2	2.53	.46	.59	.75	33.0	2.90	.45	.61	.78	30.6	3.33	.46	.63	.82					
	1200	40.0	1.95	.46	.61	.75	38.0	2.23	.46	.62	.77	36.0	2.54	.47	.62	.79	33.8	2.90	.47	.64	.82	31.0	3.33	.47	.68	.86					
	1350	41.0	1.96	.47	.63	.79	39.0	2.23	.47	.64	.81	36.6	2.54	.48	.65	.83	34.2	2.90	.48	.67	.86	31.6	3.33	.48	.71	.90					

3.5 TON - LRP14GN42

Entering Wet Bulb Temperature	Total Air Volume	Outdoor Air Temperature Entering Outdoor Coil																													
		85°F						95°F						105°F						115°F						125°F					
		Total Cool Cap.	Comp. Motor Input	Sensible/Total Ratio (S/T)			Total Cool Cap.	Comp. Motor Input	Sensible/Total Ratio (S/T)			Total Cool Cap.	Comp. Motor Input	Sensible/Total Ratio (S/T)			Total Cool Cap.	Comp. Motor Input	Sensible/Total Ratio (S/T)			Total Cool Cap.	Comp. Motor Input	Sensible/Total Ratio (S/T)							
				Dry Bulb					Dry Bulb					Dry Bulb					Dry Bulb												
		cfm	kBtuh	kW	75°F	80°F	85°F	kBtuh	kW	75°F	80°F	85°F	kBtuh	kW	75°F	80°F	85°F	kBtuh	kW	75°F	80°F	85°F	kBtuh	kW	75°F	80°F	85°F				
59°F	1225	40.0	2.33	.93	1.00	1.00	38.0	2.67	.95	1.00	1.00	36.4	3.06	.97	1.00	1.00	34.4	3.49	.99	1.00	1.00	32.2	3.99	1.00	1.00	1.00					
	1400	41.5	2.33	.96	1.00	1.00	39.5	2.67	.98	1.00	1.00	37.8	3.05	1.00	1.00	1.00	35.6	3.48	1.00	1.00	1.00	33.4	3.98	1.00	1.00	1.00					
	1575	42.5	2.33	.99	1.00	1.00	41.0	2.66	1.00	1.00	1.00	39.0	3.04	1.00	1.00	1.00	36.8	3.49	1.00	1.00	1.00	34.4	3.98	1.00	1.00	1.00					
63°F	1225	40.5	2.33	.76	.91	1.00	39.0	2.67	.77	.92	1.00	36.8	3.05	.80	.94	1.00	34.6	3.50	.82	.97	1.00	32.2	3.99	.85	.99	1.00					
	1400	42.0	2.33	.79	.94	1.00	40.0	2.67	.81	.96	1.00	37.8	3.05	.83	.98	1.00	35.8	3.49	.86	1.00	1.00	33.4	3.98	.89	1.00	1.00					
	1575	43.0	2.33	.82	.97	1.00	41.0	2.66	.84	.99	1.00	39.0	3.05	.87	1.00	1.00	36.8	3.49	.89	1.00	1.00	34.4	3.97	.92	1.00	1.00					
67°F	1225	43.0	2.33	.60	.73	.87	41.0	2.67	.60	.75	.90	39.0	3.05	.61	.77	.92	36.4	3.48	.63	.80	.94	33.6	3.98	.65	.83	.97					
	1400	44.0	2.32	.62	.76	.91	42.0	2.66	.63	.79	.93	39.5	3.04	.63	.81	.95	37.0	3.49	.65	.84	.98	34.4	3.98	.68	.87	1.00					
	1575	45.0	2.32	.64	.80	.95	43.0	2.66	.64	.82	.96	40.5	3.04	.65	.85	.98	37.6	3.48	.68	.88	1.00	35.0	3.98	.71	.90	1.00					
71°F	1225	45.5	2.32	.45	.59	.72	43.0	2.66	.46	.60	.73	41.0	3.05	.46	.60	.75	38.5	3.48	.45	.61	.78	35.4	3.96	.45	.65	.81					
	1400	46.5	2.32	.46	.61	.75	44.5	2.65	.46	.62	.76	42.0	3.04	.45	.62	.78	39.0	3.47	.46	.64	.82	36.2	3.98	.47	.67	.85					
	1575	47.5	2.31	.46	.63	.78	45.0	2.65	.46	.63	.80	42.5	3.03	.46	.65	.83	40.0	3.47	.47	.67	.86	36.8	3.97	.50	.70	.89					

RATINGS

NOTE – For Temperatures and Capacities not shown in tables, see bulletin – Cooling Unit Rating Table Correction Factor Data in Miscellaneous Engineering Data section.

4 TON - LRP14GN48

Entering Wet Bulb Temperature	Total Air Volume	Outdoor Air Temperature Entering Outdoor Coil																													
		85°F						95°F						105°F						115°F						125°F					
		Total Cool Cap.	Comp. Motor Input	Sensible/Total Ratio (S/T)			Total Cool Cap.	Comp. Motor Input	Sensible/Total Ratio (S/T)			Total Cool Cap.	Comp. Motor Input	Sensible/Total Ratio (S/T)			Total Cool Cap.	Comp. Motor Input	Sensible/Total Ratio (S/T)			Total Cool Cap.	Comp. Motor Input	Sensible/Total Ratio (S/T)							
				Dry Bulb					Dry Bulb					Dry Bulb					Dry Bulb					Dry Bulb							
cfm	kBtuh	kW	75°F	80°F	85°F	kBtuh	kW	75°F	80°F	85°F	kBtuh	kW	75°F	80°F	85°F	kBtuh	kW	75°F	80°F	85°F	kBtuh	kW	75°F	80°F	85°F						
59°F	1400	44.0	2.70	.91	1.00	1.00	42.5	3.08	.93	1.00	1.00	40.5	3.52	.95	1.00	1.00	38.5	4.07	.97	1.00	1.00	35.8	4.68	.99	1.00	1.00					
	1600	46.5	2.70	.95	1.00	1.00	44.5	3.08	.97	1.00	1.00	42.0	3.52	.98	1.00	1.00	40.0	4.05	.99	1.00	1.00	37.2	4.65	1.00	1.00	1.00					
	1800	48.0	2.69	.98	1.00	1.00	46.0	3.07	.99	1.00	1.00	43.5	3.52	1.00	1.00	1.00	41.0	4.04	1.00	1.00	1.00	38.5	4.66	1.00	1.00	1.00					
63°F	1400	46.0	2.70	.75	.88	.99	43.5	3.07	.76	.90	.99	41.5	3.52	.77	.92	1.00	38.5	4.06	.79	.95	1.00	36.0	4.68	.82	.97	1.00					
	1600	47.5	2.70	.77	.92	1.00	45.0	3.07	.78	.94	1.00	42.5	3.52	.80	.96	1.00	40.0	4.05	.82	.98	1.00	37.4	4.67	.86	.99	1.00					
	1800	48.5	2.70	.80	.95	1.00	46.0	3.07	.81	.97	1.00	44.0	3.51	.83	.98	1.00	41.0	4.04	.86	.99	1.00	38.5	4.67	.89	1.00	1.00					
67°F	1400	49.0	2.70	.58	.72	.85	46.5	3.06	.60	.74	.87	44.0	3.52	.60	.75	.89	41.0	4.05	.62	.77	.92	38.0	4.67	.64	.80	.95					
	1600	50.5	2.69	.61	.75	.88	48.0	3.07	.61	.76	.91	45.0	3.52	.63	.78	.93	42.0	4.04	.64	.80	.96	39.0	4.66	.65	.83	.98					
	1800	51.5	2.70	.62	.78	.92	48.5	3.06	.63	.79	.95	46.0	3.51	.64	.81	.97	43.0	4.03	.66	.84	.98	40.5	4.65	.68	.87	1.00					
71°F	1400	52.0	2.69	.43	.57	.70	49.5	3.06	.43	.58	.71	47.0	3.51	.44	.59	.73	44.0	4.03	.45	.60	.75	40.5	4.65	.43	.62	.77					
	1600	53.5	2.69	.44	.59	.73	51.0	3.06	.44	.61	.74	48.0	3.49	.45	.61	.76	45.0	4.02	.44	.63	.78	41.5	4.64	.45	.65	.81					
	1800	54.5	2.68	.45	.61	.75	52.0	3.06	.45	.62	.77	49.0	3.50	.45	.63	.79	46.0	4.02	.46	.65	.82	42.5	4.63	.46	.67	.85					

5 TON - LRP14GN60

Entering Wet Bulb Temperature	Total Air Volume	Outdoor Air Temperature Entering Outdoor Coil																													
		85°F						95°F						105°F						115°F						125°F					
		Total Cool Cap.	Comp. Motor Input	Sensible/Total Ratio (S/T)			Total Cool Cap.	Comp. Motor Input	Sensible/Total Ratio (S/T)			Total Cool Cap.	Comp. Motor Input	Sensible/Total Ratio (S/T)			Total Cool Cap.	Comp. Motor Input	Sensible/Total Ratio (S/T)			Total Cool Cap.	Comp. Motor Input	Sensible/Total Ratio (S/T)							
				Dry Bulb					Dry Bulb					Dry Bulb					Dry Bulb					Dry Bulb							
cfm	kBtuh	kW	75°F	80°F	85°F	kBtuh	kW	75°F	80°F	85°F	kBtuh	kW	75°F	80°F	85°F	kBtuh	kW	75°F	80°F	85°F	kBtuh	kW	75°F	80°F	85°F						
59°F	1700	54.5	3.42	.88	.99	1.00	52.0	3.89	.90	.99	1.00	49.5	4.44	.91	1.00	1.00	47.0	5.05	.94	1.00	1.00	44.0	5.78	.96	1.00	1.00					
	1800	55.5	3.43	.89	.99	1.00	53.0	3.90	.91	1.00	1.00	50.5	4.44	.93	1.00	1.00	48.0	5.07	.95	1.00	1.00	45.0	5.76	.97	1.00	1.00					
	2250	59.5	3.43	.95	1.00	1.00	57.0	3.91	.96	1.00	1.00	54.0	4.41	.98	1.00	1.00	51.0	5.05	.99	1.00	1.00	47.5	5.76	1.00	1.00	1.00					
63°F	1700	57.0	3.42	.72	.85	.96	54.5	3.90	.73	.86	.98	51.5	4.42	.75	.88	.99	48.0	5.04	.77	.90	1.00	45.0	5.76	.78	.93	1.00					
	1800	58.0	3.43	.73	.86	.98	55.0	3.89	.74	.88	.99	52.0	4.42	.76	.90	.99	48.5	5.05	.77	.92	1.00	45.5	5.78	.80	.95	1.00					
	2250	60.5	3.43	.77	.92	1.00	57.5	3.90	.78	.93	1.00	54.5	4.43	.80	.96	1.00	51.0	5.05	.82	.98	1.00	48.0	5.77	.85	.99	1.00					
67°F	1700	60.5	3.42	.58	.70	.82	57.5	3.89	.58	.71	.83	54.5	4.43	.59	.72	.85	51.0	5.04	.61	.74	.87	47.5	5.75	.62	.76	.90					
	1800	61.5	3.43	.58	.71	.83	58.0	3.90	.59	.72	.85	55.0	4.42	.60	.74	.87	51.5	5.04	.61	.76	.89	48.0	5.75	.62	.77	.92					
	2250	64.0	3.43	.61	.75	.89	60.5	3.90	.62	.77	.91	57.5	4.43	.63	.78	.93	53.5	5.05	.64	.80	.96	49.5	5.76	.65	.83	.98					
71°F	1700	64.5	3.44	.42	.56	.68	61.0	3.89	.43	.57	.69	58.0	4.43	.43	.58	.70	54.0	5.05	.44	.59	.72	50.0	5.77	.45	.61	.74					
	1800	65.0	3.43	.42	.57	.69	61.5	3.90	.44	.58	.70	58.5	4.44	.44	.58	.71	54.5	5.03	.44	.60	.73	50.5	5.76	.45	.62	.75					
	2250	68.0	3.44	.44	.59	.73	64.0	3.90	.45	.61	.74	60.5	4.42	.45	.61	.76	56.5	5.03	.46	.64	.78	52.5	5.78	.47	.65	.81					

BLOWER DATA

LRP14GN36

Blower Tap	External Static (in.w.g.)										
		0.1	0.2	0.3	0.4	0.5	0.6	0.7	0.8	0.9	1.0
Tap 1 (Fan Only)	CFM	925	810	690	630	595	500	435	385	---	---
	RPM	566	580	601	647	688	732	769	803	---	---
	Watts	134	122	115	123	130	137	144	150	---	---
Tap 2 (Low Cooling)	CFM	1245	1210	1170	1124	1080	1040	1000	960	915	870
	RPM	711	740	769	802	829	860	890	922	952	982
	Watts	267	277	286	297	307	318	328	340	349	360
Tap 3 (High Cooling)	CFM	1515	1480	1445	1405	1375	1335	1295	1260	1225	1195
	RPM	836	862	887	910	934	958	983	1007	1033	1062
	Watts	445	456	469	481	492	503	516	526	538	553
Tap 4 (54k Heat Exchanger)	CFM	975	890	840	790	735	N/A	N/A	N/A	N/A	N/A
	RPM	585	609	648	688	726	N/A	N/A	N/A	N/A	N/A
	Watts	146	154	163	172	180	N/A	N/A	N/A	N/A	N/A
	Rise (°F)	42	46	48	52	55	N/A	N/A	N/A	N/A	N/A
Tap 5 (54k Heat Exchanger)	CFM	N/A	1225	1180	1140	1095	1055	1015	975	935	890
	RPM	N/A	749	776	806	836	866	896	926	957	987
	Watts	N/A	286	296	306	317	328	339	349	359	370
	Rise (°F)	N/A	33	34	36	37	39	40	42	44	46

NOTE - All air data is measured external to unit with dry coil and without air filters.

BLOWER DATA

LRP14GN42

Blower Tap	External Static (in.w.g.)										
		0.1	0.2	0.3	0.4	0.5	0.6	0.7	0.8	0.9	1.0
Tap 1 (Fan Only)	CFM	1115	970	800	540	460	380	315	---	---	---
	RPM	532	549	567	592	650	693	730	---	---	---
	Watts	145	132	118	98	106	113	118	---	---	---
Tap 2 (Low Cooling)	CFM	1470	1430	1380	1340	1295	1250	1205	1160	1115	1065
	RPM	659	689	721	752	784	815	847	879	911	944
	Watts	281	293	305	318	331	344	355	368	381	393
Tap 3 (High Cooling)	CFM	1755	1720	1670	1635	1595	1555	1515	1475	1435	1395
	RPM	757	784	812	838	864	892	918	944	971	998
	Watts	444	456	471	485	499	514	527	540	553	567
Tap 4 (72k Heat Exchanger)	CFM	1420	1375	1325	1280	1235	1195	1145	1100	1045	N/A
	RPM	640	671	706	736	770	801	834	868	904	N/A
	Watts	257	268	281	292	304	316	328	341	354	N/A
	Rise (°F)	38	39	41	42	44	46	47	49	52	N/A
Tap 5 (72k Heat Exchanger)	CFM	1735	1690	1645	1605	1565	1530	1495	1450	1410	1370
	RPM	749	778	807	834	858	886	913	940	966	993
	Watts	427	442	456	471	482	497	511	524	539	552
	Rise (°F)	31	32	33	34	35	36	36	38	39	40

NOTE - All air data is measured external to unit with dry coil and without air filters.

BLOWER DATA

LRP14GN48

Blower Tap	External Static (in.w.g.)										
		0.1	0.2	0.3	0.4	0.5	0.6	0.7	0.8	0.9	1.0
Tap 1 (Fan Only)	CFM	1230	1080	965	910	845	760	695	630	570	505
	RPM	569	582	605	645	689	736	772	810	857	895
	Watts	179	163	158	167	177	188	197	205	217	225
Tap 2 (Low Cooling)	CFM	1675	1640	1600	1560	1515	1470	1430	1390	1345	1295
	RPM	730	754	782	810	844	869	897	921	948	977
	Watts	393	403	420	432	448	460	473	485	498	512
Tap 3 (High Cooling)	CFM	1935	1895	1855	1815	1785	1745	1710	1675	1635	1595
	RPM	817	844	864	891	918	944	969	990	1012	1036
	Watts	571	587	601	615	633	648	664	674	689	702
Tap 4 (72k Heat Exchanger)	CFM	1420	1370	1320	1275	1235	1190	1135	1080	1020	N/A
	RPM	637	667	706	736	768	797	831	864	903	N/A
	Watts	255	266	281	291	303	313	327	339	352	N/A
	Rise (°F)	38	40	41	43	44	46	48	50	53	N/A
Tap 5 (72k Heat Exchanger)	CFM	1745	1705	1660	1620	1575	1540	1500	1460	1420	1370
	RPM	751	777	805	835	865	889	915	938	965	989
	Watts	433	446	460	476	492	502	516	528	541	553
	Rise (°F)	31	32	33	34	34	35	36	37	38	40

NOTE - All air data is measured external to unit with dry coil and without air filters.

BLOWER DATA

LRP14GN60

Blower Tap	External Static (in.w.g.)										
		0.1	0.2	0.3	0.4	0.5	0.6	0.7	0.8	0.9	1.0
Tap 1 (Fan Only)	CFM	1275	1230	1170	1115	1065	1000	945	865	795	735
	RPM	591	626	662	701	739	781	822	867	909	964
	Watts	181	190	199	209	220	232	242	256	267	281
Tap 2 (Low Cooling)	CFM	1880	1840	1800	1760	1715	1675	1640	1595	1555	1520
	RPM	798	824	851	874	902	929	951	979	1007	1035
	Watts	466	477	493	506	519	532	543	558	572	587
Tap 3 (High Cooling)	CFM	1790	1830	1865	1900	1945	1980	2020	2055	2095	2140
	RPM	887	911	936	951	977	1000	1026	1049	1067	1096
	Watts	652	669	683	693	709	724	740	754	765	782
Tap 4 (72k Heat Exchanger)	CFM	1415	1365	1315	1260	1225	1175	1120	1065	1005	N/A
	RPM	639	675	707	741	774	810	848	886	924	N/A
	Watts	230	240	252	262	273	285	298	309	322	N/A
	Rise (°F)	38	40	41	43	44	46	49	51	54	N/A
Tap 5 (72k Heat Exchanger)	CFM	1745	1705	1660	1620	1575	1540	1495	1450	1410	1365
	RPM	759	782	814	839	871	893	920	948	979	1009
	Watts	391	402	416	427	442	452	464	476	490	504
	Rise (°F)	31	32	33	33	34	35	36	37	39	40

NOTE - All air data is measured external to unit with dry coil and without air filters.

BLOWER DATA

AIR RESISTANCE DATA - in. w.g.

Air Volume cfm	Wet Indoor Coil			Optional Economizer	Rectangular to Round Duct Adaptor Kits			
	036, 042	048	060		Downflow	Horizontal		
					14 in. Diameter	14 in. Diameter	16 in. Diameter	18 in. Diameter
600	0.01	0.01	---	0.02	---	---	---	---
700	0.01	0.01	0.01	0.03	0.13	0.13	---	---
800	0.01	0.01	0.01	0.04	0.16	0.17	---	---
900	0.02	0.01	0.01	0.05	0.21	0.21	---	---
1000	0.02	0.02	0.02	0.06	0.25	0.24	0.11	0.03
1100	0.02	0.02	0.02	0.07	0.30	0.30	0.11	0.03
1200	0.03	0.02	0.02	0.08	0.37	0.36	0.13	0.03
1300	0.03	0.03	0.03	0.10	0.43	0.43	0.17	0.03
1400	0.04	0.03	0.03	0.12	0.51	0.50	0.20	0.03
1500	0.05	0.04	0.03	0.13	0.57	0.57	0.21	0.05
1600	0.05	0.05	0.03	0.15	0.65	0.63	0.26	0.05
1700	0.05	0.05	0.04	0.18	0.72	0.71	0.30	0.06
1800	0.06	0.05	0.04	0.20	0.81	0.80	0.30	0.06
1900	0.06	0.06	0.04	0.21	0.90	0.91	0.40	0.06
2000	0.07	0.06	0.05	0.24	1.01	0.99	0.41	0.06

ELECTRICAL DATA

Model No.		LRP14GN36	
¹ Voltage - 60Hz		208/230V-3ph	460V-3ph
Compressor	Rated Load Amps	9	5.8
	Locked Rotor Amps	71	38
Outdoor Fan Motor	Full Load Amps	1.8	1
Indoor Blower Motor	Horsepower	0.75	0.75
	Type	ECM	ECM
	Full Load Amps	6	3.2
² Maximum Overcurrent Protection (MOCP)	Unit Only	25	15
³ Minimum Circuit Ampacity (MCA)	Unit Only	19.2	11.6

Model No.		LRP14GN42	
¹ Voltage - 60Hz		208/230V-3ph	460V-3ph
Compressor	Rated Load Amps	11.2	5.6
	Locked Rotor Amps	84	44
Outdoor Fan Motor	Full Load Amps	1.8	1
Indoor Blower Motor	Horsepower	0.75	0.75
	Type	ECM	ECM
	Full Load Amps	6	3.2
² Maximum Overcurrent Protection (MOCP)	Unit Only	30	15
³ Minimum Circuit Ampacity (MCA)	Unit Only	22.0	11.4

Model No.		LRP14GN48	
¹ Voltage - 60Hz		208/230V-3ph	460V-3ph
Compressor	Rated Load Amps	13.8	6.1
	Locked Rotor Amps	83	43
Outdoor Fan Motor	Full Load Amps	1.8	1
Indoor Blower Motor	Horsepower	1.0	1.0
	Type	ECM	ECM
	Full Load Amps	7.6	4
² Maximum Overcurrent Protection (MOCP)	Unit Only	40	15
³ Minimum Circuit Ampacity (MCA)	Unit Only	26.8	12.8

Model No.		LRP14GN60	
¹ Voltage - 60Hz		208/230V-3ph	460V-3ph
Compressor	Rated Load Amps	13.2	6.3
	Locked Rotor Amps	93	60
Outdoor Fan Motor	Full Load Amps	1.8	1
Indoor Blower Motor	Horsepower	1.0	1.0
	Type	ECM	ECM
	Full Load Amps	7.6	4
² Maximum Overcurrent Protection (MOCP)	Unit Only	35	15
³ Minimum Circuit Ampacity (MCA)	Unit Only	26.1	13.2

NOTE - All units have a minimum Short Circuit Current Rating (SCCR) of 5000 amps.

¹ Extremes of operating range are plus and minus 10% of line voltage.

² HACR type breaker or fuse.

³ Refer to National or Canadian Electrical Code manual to determine wire, fuse and disconnect size requirements.

WEIGHT DATA				UNIT
Model Number	Net		Shipping	
	lbs.	kg	lbs.	kg
LRP14GN36	511	232	517	235
LRP14GN42	536	243	542	246
LRP14GN48	542	246	548	249
LRP14GN60	560	254	566	257

WEIGHT DATA		OPTIONS / ACCESSORIES	
		Shipping	
		lbs.	kg
CABINET			
Tool-Less Filter Access Kit		20	9
ECONOMIZER / OUTDOOR AIR			
Economizer			
Economizer, Includes Barometric Relief Dampers and Exhaust Hood		95	43
Outdoor Air Dampers			
Motorized		35	16
Manual		28	13
ROOF CURBS			
Clip Curbs			
8 in. height		63	29
14 in. height		77	35
18 in. height		99	45
24 in. height		132	60
Adjustable Pitch Curb, Downflow			
14 in. height		95	43

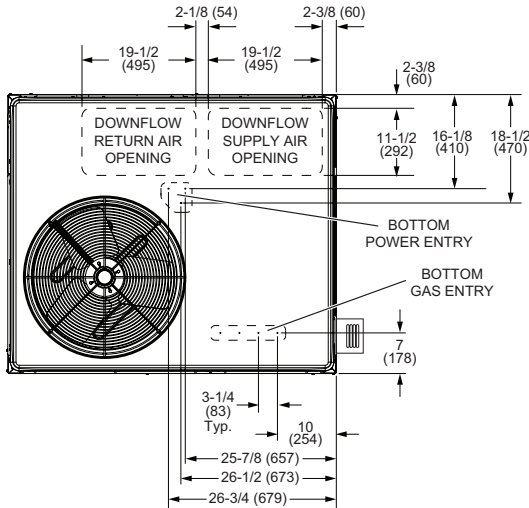
INSTALLATION CLEARANCES		
	in.	mm
Front (heat exchanger access)	24	610
Right Side (blower and evaporator coil access)	24	610
Left Side (compressor access)	24	610
Back	0	0
Top	48	1219

MINIMUM CLEARANCE TO COMBUSTIBLE MATERIAL		
	in.	mm
Front	0	0
Back	0	0
Right Side (vent cover)	12	305
Left Side	0	0
Top	0	0
Below Unit	0	0

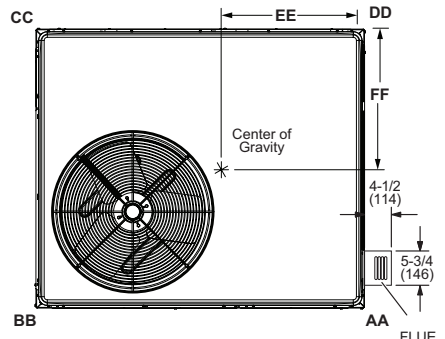
DIMENSIONS

UNIT

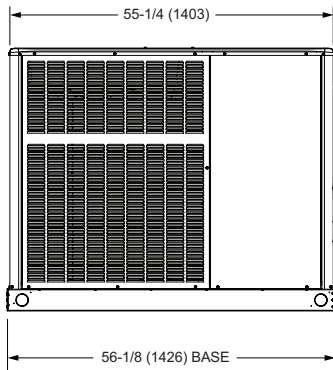
Model Number	CORNER WEIGHTS								CENTER OF GRAVITY			
	AA		BB		CC		DD		EE		FF	
	lbs.	kg	lbs.	kg	lbs.	kg	lbs.	kg	in.	mm	in.	mm
LRP14GN36	125	57	124	56	134	61	134	61	32-1/2	826	22-3/4	579
LRP14GN42	129	59	129	59	143	65	142	64	32-1/2	826	22-3/4	579
LRP14GN48	133	60	130	59	143	65	143	65	32-1/2	826	22-3/4	579
LRP14GN60	137	62	135	61	147	67	147	67	32-1/2	826	22-3/4	579



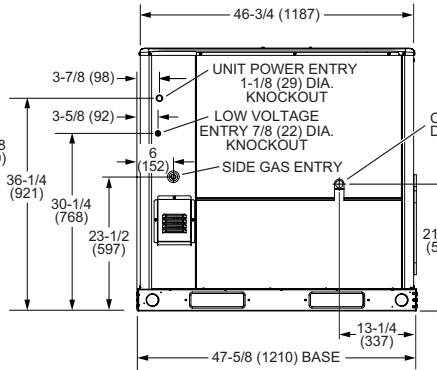
TOP VIEW (Base)



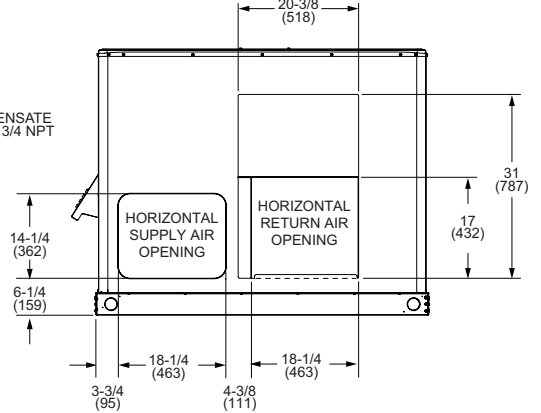
TOP VIEW (Corner Weight and Center of Gravity)



FRONT VIEW

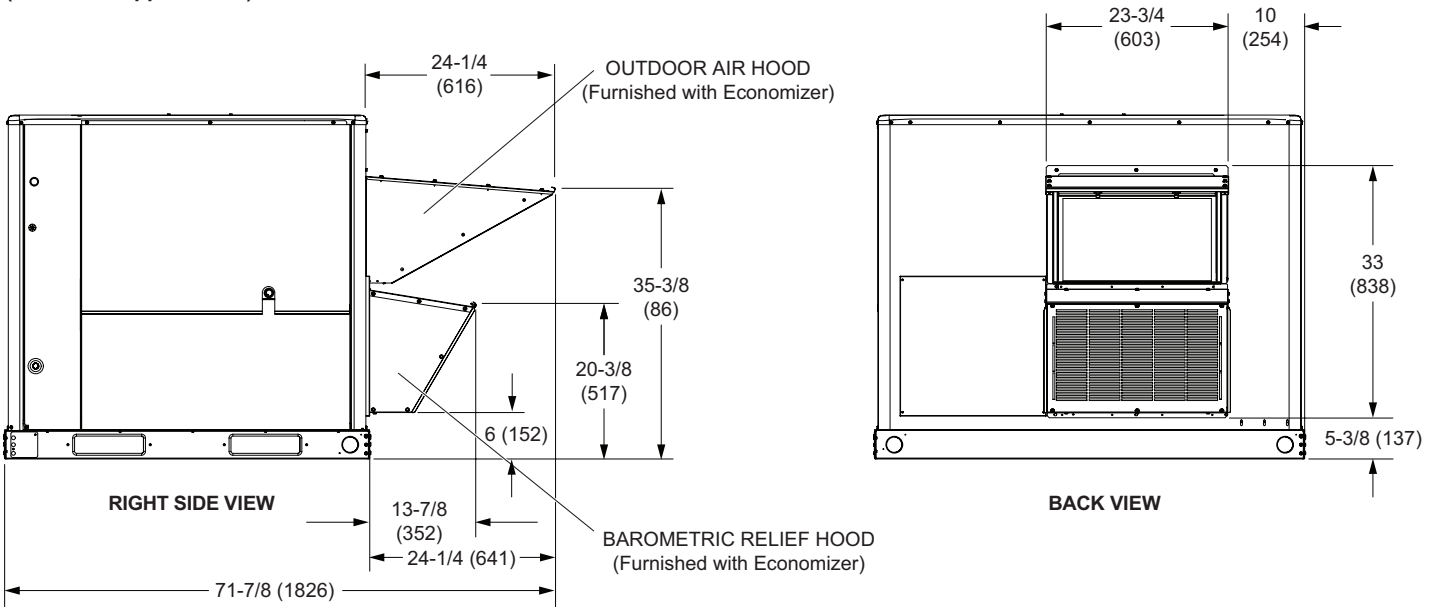


RIGHT SIDE VIEW

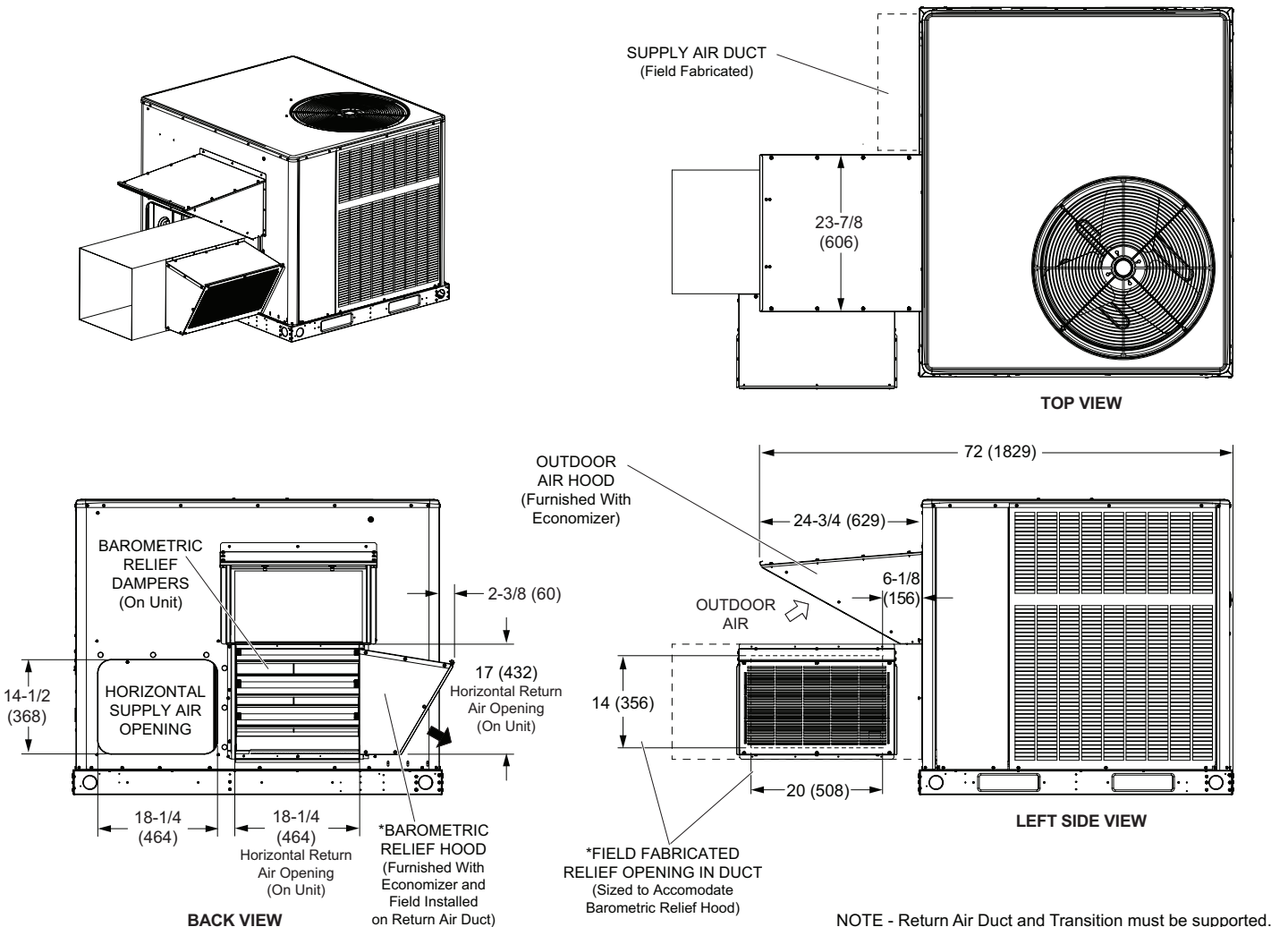


BACK VIEW

**OUTDOOR AIR HOOD DETAIL FOR OPTIONAL ECONOMIZER WITH BAROMETRIC RELIEF DAMPERS
(Downflow Applications)**



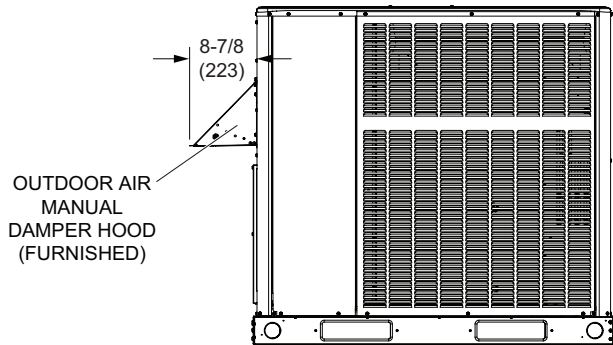
**OUTDOOR AIR HOOD DETAIL FOR OPTIONAL ECONOMIZER WITH BAROMETRIC RELIEF DAMPERS
(Horizontal Applications)**



NOTE - Return Air Duct and Transition must be supported.

OUTDOOR AIR HOOD DETAIL FOR OPTIONAL OUTDOOR AIR DAMPERS

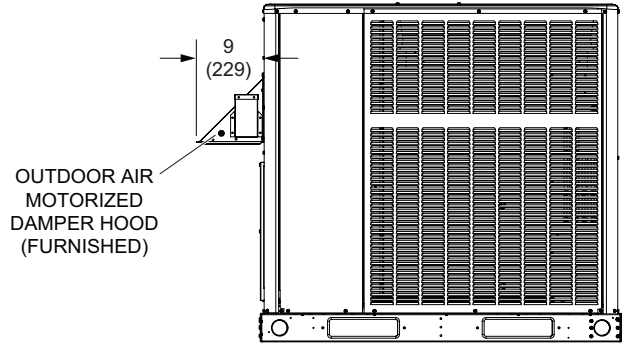
MANUAL OUTDOOR AIR DAMPERS



LEFT SIDE VIEW

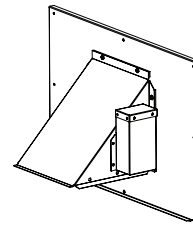
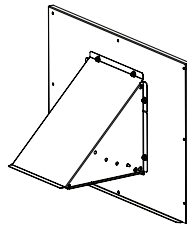
OUTDOOR AIR
MANUAL
DAMPER HOOD
(FURNISHED)

MOTORIZED OUTDOOR AIR DAMPERS

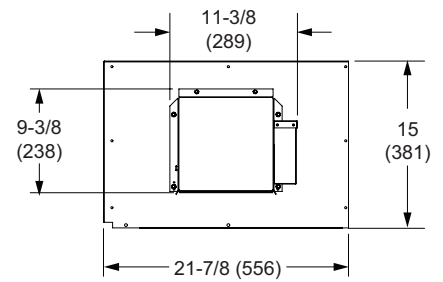
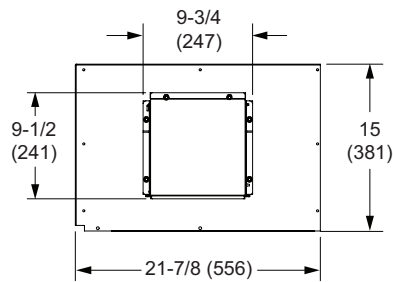


LEFT SIDE VIEW

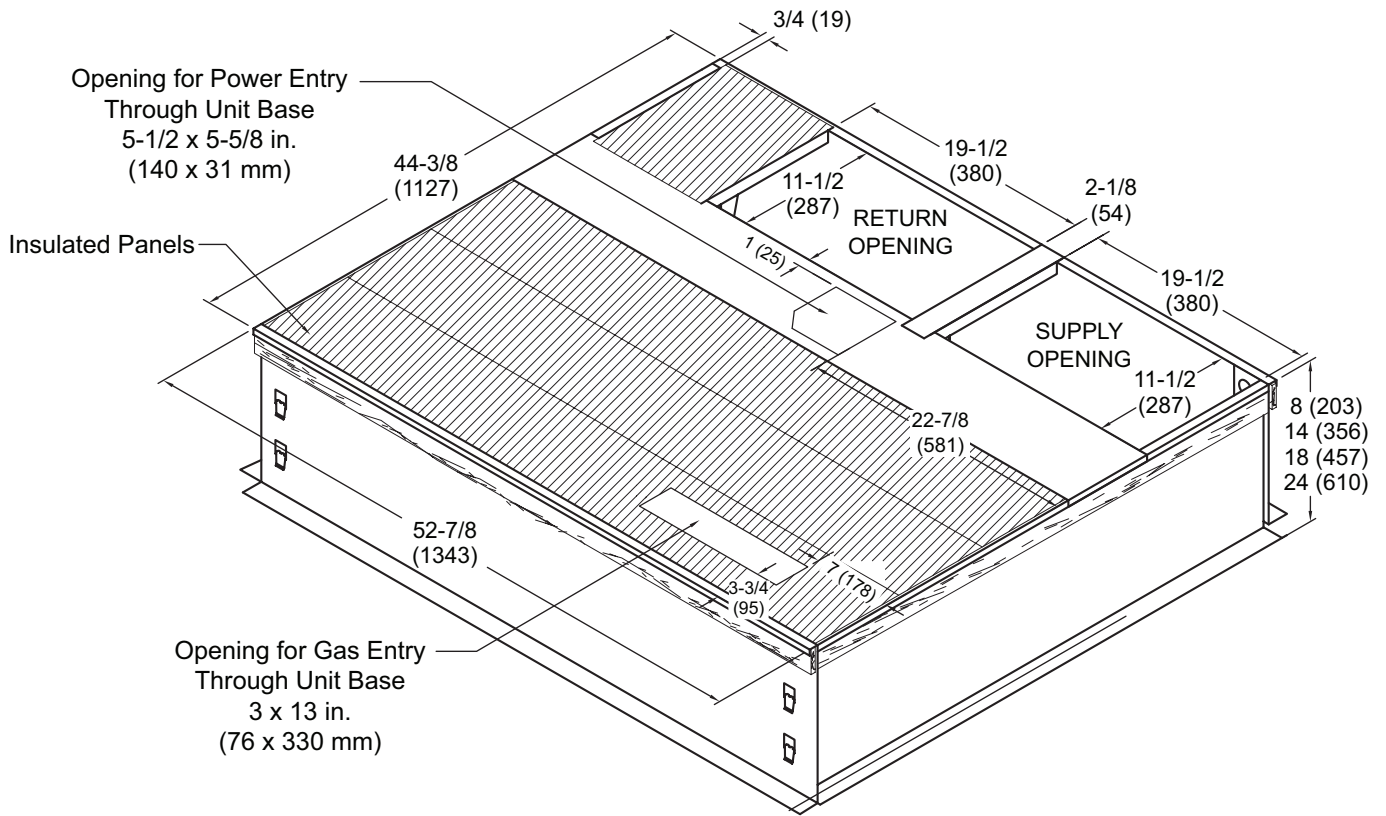
OUTDOOR AIR
MOTORIZED
DAMPER HOOD
(FURNISHED)



NOTE - Outdoor Air Hood and Panel
replaces existing panel on unit.

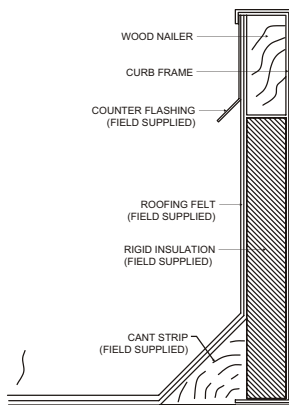


CLIP CURB

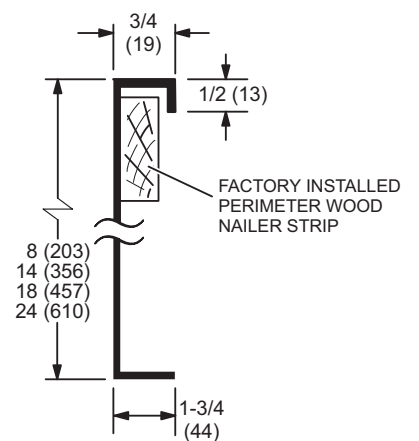


NOTE - Roof deck may be omitted within confines of curb.

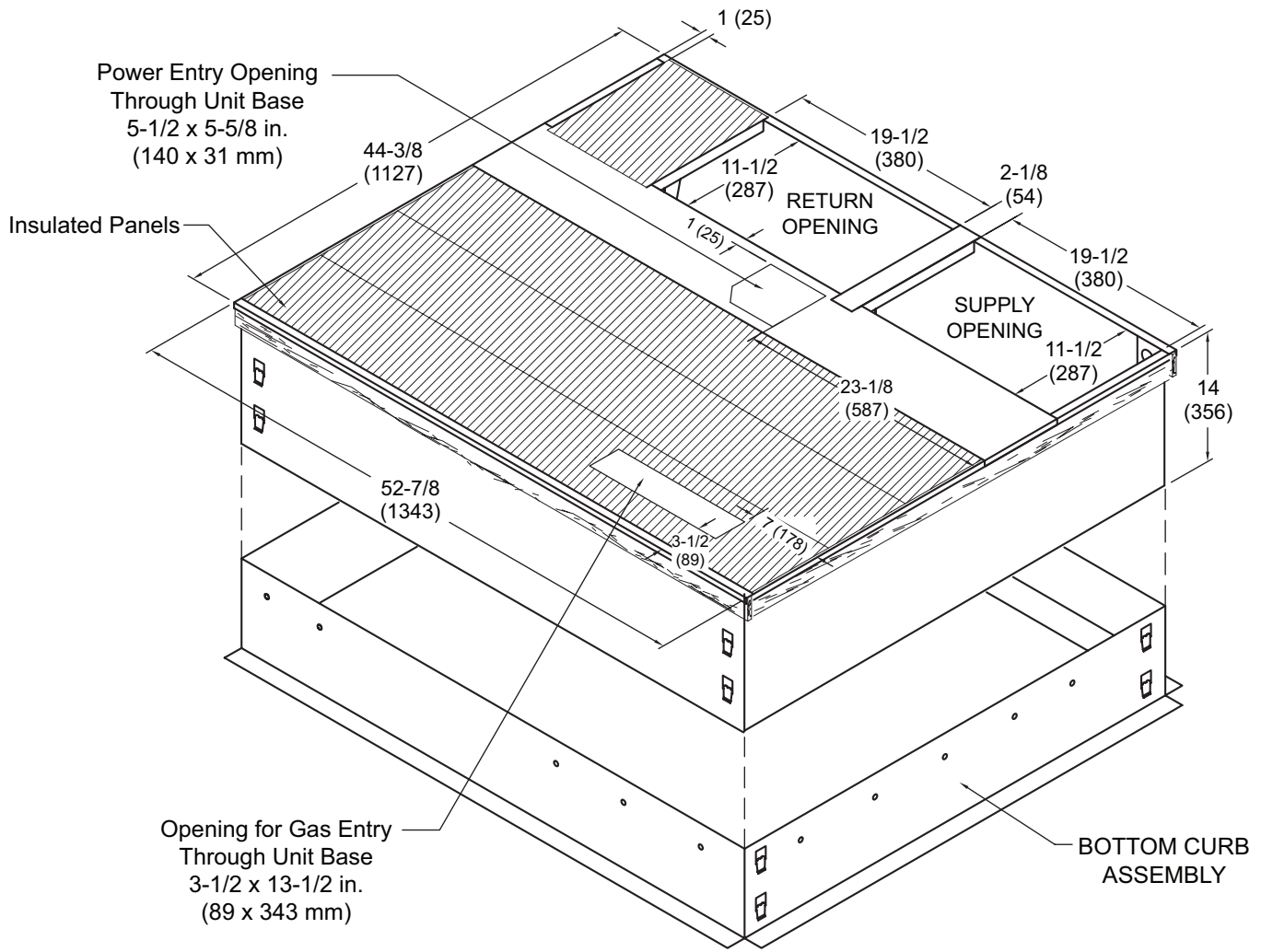
TYPICAL FLASHING DETAIL FOR ROOF CURB



DETAIL ROOF CURB

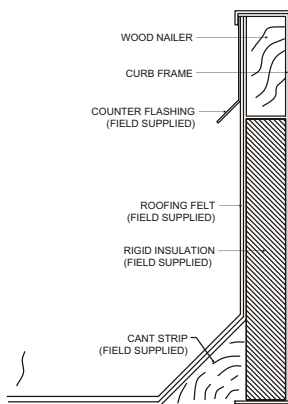


ADJUSTABLE PITCH ROOF CURB

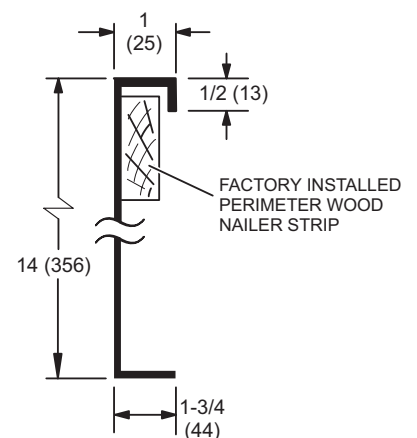


NOTE - Roof deck may be omitted within confines of curb.

TYPICAL FLASHING DETAIL FOR ROOF CURB



DETAIL ROOF CURB



OPTIONAL CONVENTIONAL TEMPERATURE CONTROL SYSTEMS

ComfortSense® 7500 Commercial 7-Day Programmable Thermostat



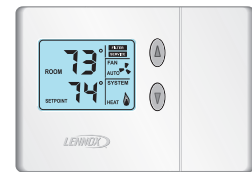
- Four-Stage Heating / Two-Stage Cooling
- Universal Multi-Stage
- Intuitive Touchscreen Interface
- Automatic Changeover between Heating and Cooling
- Full Seven-Day Programming
- Four Time Periods Per Day
- Temperature and Humidity Control
- One-Touch Away Mode
- Holiday Scheduling
- Smooth Setback Recovery (SSR)
- Performance Reports
- Notifications/Reminders
- Economizer Relay Control
- Backlit Display
- Wallplate Furnished
- FDD, ASHRAE and IECC Compliant

ComfortSense® 3000 Commercial 5-2 Day Programmable Thermostat



- Two-Stage Heating / Two-Stage Cooling
- Conventional Systems
- Intuitive Interface
- 5-2 Day Programming
- Program Hold
- Remote Indoor Temperature Sensing
- Smooth Setback Recovery (SSR)
- Economizer Relay Control
- Maintenance/Filter/Service Reminders
- Backlit Display
- Wallplate Furnished
- Simple Up and Down Temperature Control

ComfortSense® Non-Programmable Thermostat



- One-Stage Heating / Cooling
- Conventional Systems
- Intuitive Interface
- Manual Changeover
- Backlit Display
- Simple Up and Down Temperature Control

Description	Catalog No.
ComfortSense® 7500 Commercial 7-Day Programmable Thermostat	
CS7500 7-Day Thermostat	17G74
Sensors/	¹ Remote non-adjustable wall-mount 20k 47W36
Accessories	¹ Remote non-adjustable wall-mount 10k 47W37
	Remote non-adjustable discharge air (duct mount) 19L22
	Outdoor temperature sensor X2658
ComfortSense® 3000 5-2 Day Programmable	
CS3000 5-2 Day Thermostat	11Y05
Sensor/	Remote non-adjustable wall mount 10k averaging 47W37
Accessories	Thermostat wall mounting plate X2659
ComfortSense® 3000 Non-Programmable	
ComfortSense® Non-Programmable Thermostat	51M32
	Thermostat wall mounting plate X2659
	Outdoor temperature sensor X2658
Universal Thermostat Guard with Lock (clear)	
	Inside Dimensions (H x W) 5 7/8 x 8 3/8 in. 39P21

¹ Remote wall-mount sensors can be applied in any of the following combinations:
 One Sensor - (1) 47W36, Two Sensors - (2) 47W37, Three Sensors - (2) 47W36 and (1) 47W37
 Four Sensors - (4) 47W36, Five Sensors - (3) 47W36 and (2) 47W37

REVISIONS

Sections	Description of Change
Blower Data	Added Air Resistance data for 16 and 18 in. Rectangular to Round Duct Adaptor kits.
Options/Accessories	Catalog number updated for Bottom Gas Entry Kit. Added 16 and 18 in. sizes for the Rectangular to Round Duct Adaptor kits. Added Hurricane Strapping Kit for Rail Mount.



Visit us at www.Lennox.com

For the latest technical information, www.LennoxCommercial.com

Contact us at 1-800-4-LENNOX

NOTE - Due to Lennox' ongoing commitment to quality, Specifications, Ratings and Dimensions subject to change without notice and without incurring liability. Improper installation, adjustment, alteration, service or maintenance can cause property damage or personal injury. Installation and service must be performed by a qualified installer and servicing agency.

©2022 Lennox Industries, Inc.