



COMMERCIAL  
PRODUCT SPECIFICATIONS

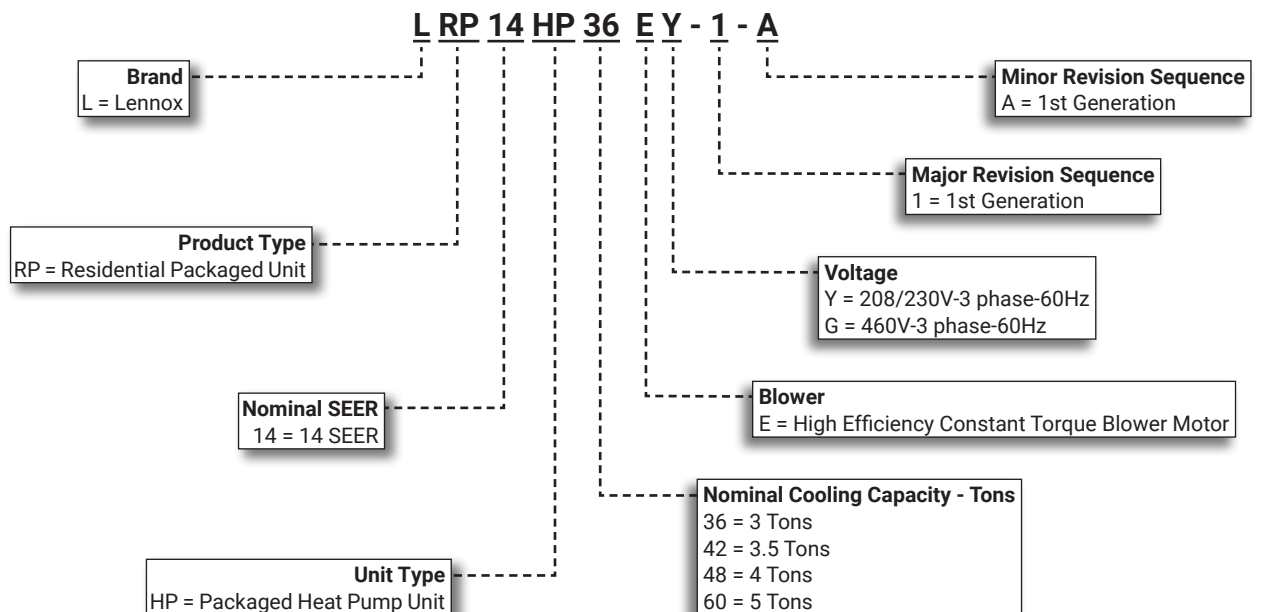
Bulletin No. 210940  
January 2022  
Supersedes November 2021



SEER - 14.00  
HSPF - 8.00  
3 to 5 Tons

Cooling Capacity - 34,000 to 57,000 Btuh  
Heating Capacity - 33,500 to 57,500 Btuh  
Optional Electric Heat - 5 to 23 kW

MODEL NUMBER IDENTIFICATION



## CONTENTS

Approvals And Warranty . . . . .	2
Blower Data . . . . .	12
Cooling / Heating Ratings . . . . .	10
Dimensions . . . . .	19
- Unit . . . . .	19
- Accessories . . . . .	20
Electrical/Electric Heat Data . . . . .	15
- 3 Ton . . . . .	15
- 3.5 Ton . . . . .	15
- 4 Ton . . . . .	16
- 5 Ton . . . . .	16
Electric Heat Capacities . . . . .	17
Features . . . . .	3
Installation Clearances . . . . .	17
Model Number Identification. . . . .	1
Options / Accessories . . . . .	7
Specifications . . . . .	9
Weight Data . . . . .	18
- Unit . . . . .	18
- Options / Accessories. . . . .	18

## APPROVALS AND WARRANTY

### APPROVALS

- AHRI Standard 210/240 certified
- Design Certified by ETL Intertek
- Unit and components ETL, NEC and CEC bonded for grounding to meet safety standards for servicing
- Optional electric heaters are ETL listed for the US and Canada and are rated and tested according to DOE test procedures and FTC labeling regulations
- All models with the Optional Seismic Strapping Kit installed have Seismic Certification for 2018 International Building Code (IBC) and 2019 California Building Code (CBC) ASCE 7
- All models are ASHRAE 90.1 compliant

### WARRANTY

- Compressors - Limited five years
- All other covered components - Limited one year

## FEATURES

### **COOLING SYSTEM**

#### **R-410A Refrigerant**

- Non-chlorine based
- Ozone-friendly
- Factory pre-charged

#### **Indoor and Outdoor Coils**

- Copper tube with aluminum fin coils
- Factory leak tested

#### **Anti-Microbial Condensate Drain Pan**

- Anti-Microbial additive resists growth of mold and mildew on drain pan which improves indoor air quality and reduces drain line blockage
- Insulated to reduce condensation
- Side drain connection

#### **Drain Pan Overflow Switch**

- Monitors condensate level in drain pan
- Shuts down unit if drain becomes clogged

#### **Outdoor Coil Fan Motor**

- Weather protected heavy duty condenser fan motor
- Coated steel fan blades for long life
- Corrosion-resistant coated steel fan guard
- Internally mounted
- Totally enclosed fan motor

#### **Four-Way Reversing Valve**

- Rapid changeover of refrigerant flow direction from cooling to heating and vice versa
- Operates on pressure differential between outdoor unit and indoor coil
- Factory installed

#### **High Pressure Switch**

- Protects the system from high pressure conditions
- Automatic reset.

#### **Loss of Charge Switch**

- Shuts off unit if suction pressure falls below setting
- Loss of charge and freeze-up protection

#### **Service Valves**

- Fully serviceable brass valves installed in discharge & liquid lines

### **COMPRESSOR**

#### **Scroll Compressor**

- High volumetric efficiency
- Uniform suction flow
- Constant discharge flow
- Quiet operation
- Low gas pulses during compression reduces operational sound levels
- Compressor motor is internally protected from excessive current and temperature
- Compressor is installed in the unit on resilient rubber mounts for vibration free operation

#### **Scroll Compressor Operation**

- Two involute spiral scrolls matched together generate a series of crescent-shaped gas pockets between them
- During compression, one scroll remains stationary while the other scroll orbits around it
- Gas is drawn into the outer pocket, the pocket is sealed as the scroll rotates
- As the spiral movement continues, gas pockets are pushed to the center of the scrolls. Volume between the pockets is simultaneously reduced
- When the pocket reaches the center, gas is now at high pressure and is forced out of a port located in the center of the fixed scrolls
- During compression, several pockets are compressed simultaneously resulting in a smooth continuous compression cycle
- Continuous flank contact, maintained by centrifugal force, minimizes gas leakage and maximizes efficiency
- Compressor is tolerant to the effects of slugging and contaminants. If this occurs, scrolls separate, allowing liquid or contaminants to be worked toward the center and discharged
- Muffler in discharge line reduces operating sound levels

### **Optional Accessories**

#### **Field Installed**

##### **Compressor Crankcase Heater**

- Protects against refrigerant migration that can occur during low ambient operation

##### **Compressor Timed-Off Control**

- Prevents compressor short-cycling
- Allows time for suction and discharge pressure to equalize
- Permits compressor start-up in an unloaded condition
- Automatic reset
- Five minute delay between compressor shut-off and start-up

##### **Indoor Coil Freeze Protection**

- Senses suction line temperature
- Cycles compressor off when suction line temperature falls below its setpoint

##### **Low Ambient Kit (40°F)**

- Cycles the outdoor fan while allowing compressor operation in the cooling cycle
- This intermittent fan operation allows the system to operate without icing the evaporator coil and losing capacity
- Designed for use in ambient temperatures no lower than 40°F

**NOTE** - Crankcase heater and freezestat are recommended on compressor equipped with a low ambient kit.

## FEATURES

### **CABINET**

- Conditioned areas insulated with foil faced insulation to minimize heat loss and reduce operating sound levels
- Powder paint for maximum durability
- Full perimeter heavy-gauge galvanized steel base rails
- Base rails have rigging holes
- Two sides of the base rails have forklift slots
- Raised edges around duct and power entry openings in the bottom of the unit for water protection
- Easy service access
- Steel louvered panels provides complete coil protection

### **Airflow Choice**

- Units are shipped with supply and return air duct covers installed for downflow or horizontal conversion

### **Electrical Inlets and Service Valves**

- Field wiring inlets are located in one central area of the cabinet
- See dimension drawing
- Service valves with gauge ports are located inside the cabinet

### **Optional Accessories**

#### **Field Installed**

##### **Bottom Power Entry Kit**

- Allows high and low voltage wiring connections through the unit base pan

##### **Base Rail Openings Closure Kit**

- Kit consists of panels and hardware to cover rigging holes and forklift slots in unit base rails

##### **Rectangular to Round Duct Adaptor Kits**

- Downflow or horizontal kits available
- Converts rectangular supply and return air openings on unit cabinet to round diameter
- Several sizes available

##### **Tool-Less Filter Access Kit**

- Converts blower access panel to two-piece design
- One panel is equipped with tool-less latches for ease filter access without removing entire blower panel

**NOTE** - Tool-Less Filter Access Kit is not for seismic-rated applications.

### **CONTROLS**

#### **24 Volt Transformer**

- 70VA transformer furnished and factory installed in control area

#### **Field Installed**

##### **Smoke Detector**

- Photoelectric type
- Installed in supply air and/or return air ducts
- Available with one sensor or two sensors

#### **BLOWER**

- Direct drive blower
- Blower wheel is statically and dynamically balanced
- Resiliently mounted
- Blower assembly easily removed for servicing

#### **Constant Torque Blower Motor**

- DC Brushless Motor
- High Efficiency Constant Torque
- ECM (Electronically Commutated Motor)
- Motor is programmed to provide constant torque at each of the selectable speeds
- Fixed blower "On" delay prevents cold air from entering system during gas heating demand
- See Blower Performance tables

#### **INDOOR AIR QUALITY**

##### **Air Filters**

- Filter rack furnished as standard
- See Specifications Table for sizes

**NOTE** - Filters must be field provided.

## OPTIONS / ACCESSORIES

### ELECTRIC HEAT (5-23 KW)

#### Optional Accessories

#### Field Installed

- Field installed internal to unit cabinet
- Available in several voltages and kW sizes
- Helix wound nichrome heating elements exposed directly in air stream
- Instant heat transfer
- Low element temperatures and long service life
- Cutoff limit control provides positive protection in case of excessive temperatures
- Factory assembled with controls installed and wired

**NOTE** - Field wiring for electric heat is separate from the unit power supply. A second, separate power source is required.

### ECONOMIZER

#### Field Installed

#### Economizer

#### (Standard and High Performance Common Features)

- Convertible to downflow or horizontal
- Outdoor Air Hood is furnished
- Includes Barometric Relief Dampers with Exhaust Hood
- Barometric Relief Dampers allow relief of excess air,
- Aluminum blade dampers prevent blow back and outdoor air infiltration during off cycle
- Exhaust hood with bird screen furnished
- Single temperature control is furnished with Economizer
- Outdoor air sensor enables Economizer if the outdoor temperature is less than the setpoint of the control

#### Standard Economizer Features (Not for Title 24)

- Gear-driven action
- Return air and outdoor air dampers
- Plug-in connections to unit
- Nylon bearings
- Neoprene seals
- 24-volt
- Fully-modulating spring return motor

#### Standard Economizer Control Module

The Standard Economizer Control Module can be adjusted to operate based on outdoor air temperatures

#### Economizer Controls:

- **Damper Minimum Position** - Can be set lower than traditional minimum air requirements resulting in cost savings
- **Free Cool LED** - A steady green LED indicates outdoor air is suitable for free cooling

**NOTE** - Free Cooling runs when outdoor air temperature is lower than the set temperature on the economizer control.

**NOTE:** The Free Cooling default setting for outdoor air temperature sensor is 55°F.


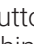


#### High Performance Economizer Features

- Approved for California Title 24 building standards
- Low leakage dampers are Air Movement and Control Association International (AMCA) Class 1A Certified - Maximum 3 cfm per sq. ft. leakage at 1 in. w.g.
- ASHRAE 90.1-2010 compliant
- Gear-driven action
- High torque 24-volt fully-modulating spring return damper motor
- Return air and outdoor air dampers
- Plug-in connections to unit
- Stainless steel bearings
- Enhanced neoprene blade edge seals
- Flexible stainless steel jamb seals minimize air leakage

**NOTE** - High Performance Economizers are not approved for use with enthalpy controls in Title 24 applications.

**NOTE** - The Free Cooling setpoint for Title 24 applications must be set based on the Climate Zone where the system is installed. See Section 140.4 "Prescriptive Requirements for Space Conditioning Systems" of the California Energy Commission's 2013 Building Energy Efficiency Standards. Refer to Installation Instructions for complete setup information and menu parameters available.

#### High Performance Economizer Control Module

- Module provides inputs and outputs to control economizer based on parameter settings
- Module automatically detects sensors by polling to determine which sensors are installed in system
- Module displays any alarm messages (fault detection and diagnostics) as an aid in troubleshooting
- Non-volatile memory retains parameter settings in case of power failure
- Keypad with four navigation buttons and LCD screen is furnished for setting economizer parameters
  - Menu Up/Exit  button returns to the main menu
  - Arrow Up  button moves to the previous or next parameter within the selected menu
  - Arrow Down  button moves to the next parameter within the selected menu
  - Select (enter)  button confirms parameter selection

## OPTIONS / ACCESSORIES

### **ECONOMIZER (continued)**

High Performance Economizer Control Module (continued)

Main Menu Structure:

- STATUS (economizer and system operation status)
- SETPOINTS (settings for various setpoint parameters)
- SYSTEM SETUP (settings/information about the system)
- ADVANCED SETUP (freeze protection, CO<sub>2</sub> settings, stage 3 delay, and additional calibration settings)
- CHECKOUT (damper positions)
- ALARMS (output signal that can be configured for remote alarm monitoring)

**NOTE** - Refer to Installation Instructions for complete setup information and menu parameters available.

### **Field Installed**

Single Enthalpy Temperature Control (Not for Title 24)

- Outdoor air enthalpy sensor enables Economizer if the outdoor enthalpy is less than the setpoint of the control

### **OUTDOOR AIR**

#### **Field Installed**

Outdoor Air Dampers - Downflow

- Single blade damper
- 0 to 25% (fixed) outdoor air adjustable
- Installs in unit
- Outdoor air hood is furnished
- Automatic model features fully modulating spring return damper motor with plug-in connection
- Manual model features a slide damper

**NOTE** - Maximum mixed air temperature in cooling mode is 100°F.

### **ROOF CURBS**

#### **Field Installed**

Clip Curb (Full Perimeter)

- Interlocking tabs fasten corners together
- No tools required
- Fully gasketed around curb perimeter and supply and return openings
- Available in 8, 14, 18 and 24 inch heights
- Shipped knocked down

Adjustable Pitch Clip Curb (Full Perimeter)

- Fully adjustable pitch curb provides a level platform for packaged units
- Allows flexible installations on roofs with sloped or uneven angles
- Adjustable from 2/12 to 6/12 pitch
- Fully gasketed around curb perimeter and supply and return openings
- Shipped knocked down

#### **All Curbs**

- IBC 2018 compliant
- CBC 2019 compliant
- Seismic rating - SDS 2.0g, z/h=1, Ip=1.5
- Wind rating - 240 mph (Lateral), 214 mph (Uplift)
- Maximum load rating - 800 lbs.

Adaptor Curbs (not shown)

- Curbs are regionally sourced
- Dimensions vary based upon the source

**NOTE** - Contact your local sales representative for a detailed cut sheet with applicable dimensions.

Strapping Kit - Hurricane

- Galvanized steel .07 in. thick minimum
- Attaches unit base rails to host structure
- Separate kits available for Slab Mount or Rail Mount

Strapping Kit - Seismic

- Heavy-gauge galvanized steel
- Kit contains 4 brackets and mounting hardware

## OPTIONS / ACCESSORIES

Item	Catalog No.	Model No.				
		LRP14HP36	LRP14HP42	LRP14HP48	LRP14HP60	
<b>COOLING SYSTEM</b>						
Compressor Crankcase Heater	208/230V-3ph	11X27	X	X	X	X
	460V-3ph	21D21	X	X	X	X
Compressor Timed-Off Control		47J27	X	X	X	X
Freezestat		21D23	X	X	X	X
Low Ambient Kit (40°F)		21D20	X	X	X	X
<b>CABINET</b>						
Base Rail Openings Closure Kit		21J84	X	X	X	X
Rectangular to Round Duct Adaptor Kits	Downflow - 14 in. dia.	21D26	X	X	X	X
	Horizontal - 14 in. dia.	21D24	X	X	X	X
	- 16 in. dia.	22U78	X	X	X	X
	- 18 in. dia.	22U79	X	X	X	X
<sup>1</sup> Tool-Less Filter Access Kit		21J80	X	X	X	X
<b>CONTROLS</b>						
Smoke Detector - Supply or Return (one sensor)		21U21	X	X	X	X
Smoke Detector - Supply and Return (two sensors)		21U22	X	X	X	X
<b>ELECTRICAL</b>						
Bottom Power Entry Kit		21J78	X	X	X	X
<b><sup>2</sup> ELECTRIC HEAT</b>						
5 kW	208/230V-3ph	21J30	X	X	X	X
	460V-3ph	21J37	X	X	X	X
10 kW	208/230V-3ph	21J33	X	X	X	X
	460V-3ph	21J38	X	X	X	X
15 kW	208/230V-3ph	21J34	X	X	X	X
	460V-3ph	21J39	X	X	X	X
20 kW	208/230V-3ph	21J35		X	X	X
	460V-3ph	21J40		X	X	X
23 kW	208/230V-3ph	21J36				X
	460V-3ph	21J41				X
<b>ECONOMIZER</b>						
<b>Standard Economizer With Outdoor Air Hood (Not for Title 24)</b>						
Downflow or Horizontal (Includes Barometric Relief Dampers and Exhaust Hood)		21U15	X	X	X	X
<b>High Performance Economizer With Outdoor Air Hood (Approved for California Title 24 Building Standards / AMCA Class 1A Certified)</b>						
Downflow or Horizontal (Includes Barometric Relief Dampers and Exhaust Hood)		21U17	X	X	X	X
<b>Economizer Controls</b>						
Single Enthalpy Control (Standard)		21Z09	X	X	X	X
Single Enthalpy Control (High Performance)		11G21	X	X	X	X

<sup>1</sup> Not for seismic-rated applications.

<sup>2</sup> Field wiring for electric heat is separate from the unit power supply. A second, separate power source is required.

X = Field Installed

## OPTIONS / ACCESSORIES

Item	Catalog No.	Model No.			
		LRP14HP36	LRP14HP42	LRP14HP48	LRP14HP60
<b>OUTDOOR AIR</b>					
<b>Outdoor Air Dampers With Outdoor Air Hood</b>					
Motorized	21U19	X	X	X	X
Manual	21U20	X	X	X	X
<b>ROOF CURBS</b>					
<b>Clip Curbs</b>					
8 in height	21J17	X	X	X	X
14 in height	21J19	X	X	X	X
18 in height	21J20	X	X	X	X
24 in height	21J25	X	X	X	X
<b>Adjustable Pitch Clip Curb</b>					
14 in height	21U04	X	X	X	X
<b>Strapping Kits for Roof Curbs</b>					
Strapping Kit - Hurricane (Slab Mount)	21J74	X	X	X	X
Strapping Kit - Hurricane (Rail Mount)	22C53	X	X	X	X
Strapping Kit - Seismic	21J75	X	X	X	X

X = Field Installed



## SPECIFICATIONS

General Data		Nominal Tonnage	3 Ton	3.5 Ton	4 Ton	5 Ton	
	Model Number		LRP14HP36	LRP14HP42	LRP14HP48	LRP14HP60	
	Efficiency Type		Standard	Standard	Standard	Standard	
	Blower Type		Direct Drive (ECM)	Direct Drive (ECM)	Direct Drive (ECM)	Direct Drive (ECM)	
Cooling Performance	Gross Cooling Capacity - Btuh		35,000	41,500	48,000	59,000	
	<sup>1</sup> Net Cooling Capacity - Btuh		34,000	40,000	46,000	57,000	
	AHRI Rated Air Flow - cfm		1200	1400	1600	1800	
	Total Unit Power - kW		2.80	3.26	3.76	4.85	
	<sup>1</sup> SEER		14.00	14.00	14.00	14.00	
	<sup>1</sup> EER		11.50	11.50	11.50	11.50	
Heating Performance	<sup>1</sup> Total High Heating Capacity - Btuh		33,500	40,100	46,300	57,500	
	Total Unit Power - kW		2.61	3.06	3.59	5.12	
	<sup>1</sup> COP		3.70	3.60	3.70	3.70	
	<sup>1</sup> HSPF - Region IV (Region V)		8.00 / 6.95	8.00 / 6.95	8.00 / 6.95	8.00 / 6.95	
	<sup>1</sup> Total Low Heating Capacity - Btuh		18,000	22,000	26,000	34,000	
	Total Unit Power - kW		2.42	2.85	3.39	4.64	
	<sup>1</sup> COP		2.30	2.30	2.30	2.40	
	Refrigerant Charge	Refrigerant Type		R-410A	R-410A	R-410A	R-410A
			9 lbs. 13 oz.	9 lbs. 13 oz.	10 lbs. 10 oz.	11 lbs. 9 oz.	
Electric Heat Available - See Electrical/Electric Heat Data Tables			5, 10, and 15 kW	5, 10, 15, and 20 kW	5, 10, 15, and 20 kW	5, 10, 15, 20, and 23 kW	
Compressor Type			Scroll (1)	Scroll (1)	Scroll (1)	Scroll (1)	
Outdoor Coil	Net face area (total) - sq. ft.		16.60	16.60	16.60	18.60	
	Tube diameter - in.		5/16	5/16	5/16	5/16	
	Number of rows		2	2	2	2	
	Fins per inch		22	22	22	22	
Outdoor Coil Fan	Motor - (No.) horsepower		(1) 1/3	(1) 1/3	(1) 1/3	(1) 1/3	
	Motor rpm		825	825	825	825	
	Total Motor Input - watts		280	280	280	280	
	Diameter - (No.) in.		(1) 24	(1) 24	(1) 24	(1) 24	
	Number of blades		3	3	3	3	
	Indoor Coil	Net face area (total) - sq. ft.		6.75	6.75	6.75	6.75
Tube diameter - in.			3/8	3/8	3/8	3/8	
Number of rows			3	3	3	3	
Fins per inch			15	15	15	15	
Drain connection (Number) and size - in.			(1) 3/4 in. NPT coupling				
Expansion device type			Refrigerant Metering Orifice			Balanced Port TXV	
Indoor Blower		Nominal motor HP		0.75 HP (ECM)	0.75 HP (ECM)	1.0 HP (ECM)	1.0 HP (ECM)
		Blower wheel nominal diameter x width - in.		(1) 12 x 9	(1) 12 x 9	(1) 12 x 9	(1) 12 x 10
<sup>2</sup> Filters	Type of filter		Disposable				
	Number and size - in.		(2) 20 x 20 x 1	(2) 20 x 20 x 1	(2) 20 x 20 x 1	(2) 20 x 20 x 1	
Electrical characteristics			208/230V or 460V-60Hz -3ph				

NOTE - Net capacity includes evaporator blower motor heat deduction. Gross capacity does not include evaporator blower motor heat deduction.

<sup>1</sup> AHRI Certified to AHRI Standard 210/240:

**Cooling Ratings** - 95°F outdoor air temperature and 80°F db/67°F wb entering indoor coil air.

**High Temperature Heating Ratings** - 47°F db/43°F wb outdoor air temperature and 70°F entering indoor coil air.

**Low Temperature Heating Ratings** - 17°F db/15°F wb outdoor air temperature and 70°F entering indoor coil air.

<sup>2</sup> Filters are not furnished and must be field provided.

## COOLING / HEATING RATINGS

NOTE – For Temperatures and Capacities not shown in tables, see bulletin – Cooling Unit Rating Table Correction Factor Data in Miscellaneous Engineering Data section.

### 3 TON COOLING - LRP14HP36

Entering Wet Bulb Temperature	Total Air Volume	Outdoor Air Temperature Entering Outdoor Coil																													
		85°F						95°F						105°F						115°F						125°F					
		Total Cool Cap.	Comp. Motor Input	Sensible/Total Ratio (S/T)			Total Cool Cap.	Comp. Motor Input	Sensible/Total Ratio (S/T)			Total Cool Cap.	Comp. Motor Input	Sensible/Total Ratio (S/T)			Total Cool Cap.	Comp. Motor Input	Sensible/Total Ratio (S/T)			Total Cool Cap.	Comp. Motor Input	Sensible/Total Ratio (S/T)							
				Dry Bulb					Dry Bulb					Dry Bulb					Dry Bulb												
cfm	kBtuh	kW	75°F	80°F	85°F	kBtuh	kW	75°F	80°F	85°F	kBtuh	kW	75°F	80°F	85°F	kBtuh	kW	75°F	80°F	85°F	kBtuh	kW	75°F	80°F	85°F						
59°F	1050	33.0	1.83	.93	1.00	1.00	31.8	2.08	.95	1.00	1.00	30.4	2.38	.97	1.00	1.00	28.8	2.71	1.00	1.00	1.00	27.0	3.10	1.00	1.00	1.00					
	1200	34.4	1.83	.96	1.00	1.00	33.0	2.09	.99	1.00	1.00	31.6	2.37	1.00	1.00	1.00	29.8	2.71	1.00	1.00	1.00	28.0	3.10	1.00	1.00	1.00					
	1350	35.6	1.83	.99	1.00	1.00	34.2	2.09	1.00	1.00	1.00	32.6	2.37	1.00	1.00	1.00	30.8	2.71	1.00	1.00	1.00	28.8	3.10	1.00	1.00	1.00					
63°F	1050	34.2	1.83	.76	.89	1.00	32.4	2.08	.77	.92	1.00	30.8	2.37	.79	.94	1.00	28.8	2.70	.81	.97	1.00	27.0	3.10	.85	1.00	1.00					
	1200	35.0	1.83	.78	.93	1.00	33.4	2.09	.80	.96	1.00	31.6	2.37	.82	.98	1.00	29.8	2.71	.85	1.00	1.00	28.0	3.10	.88	1.00	1.00					
	1350	35.8	1.83	.81	.97	1.00	34.2	2.09	.83	.99	1.00	32.6	2.38	.85	1.00	1.00	30.8	2.71	.88	1.00	1.00	28.8	3.10	.92	1.00	1.00					
67°F	1050	36.0	1.83	.60	.73	.86	34.4	2.09	.60	.75	.88	32.6	2.38	.61	.76	.91	30.6	2.71	.63	.79	.94	28.2	3.09	.65	.82	.98					
	1200	37.0	1.83	.61	.76	.90	35.2	2.09	.62	.78	.93	33.4	2.38	.64	.80	.96	31.2	2.71	.65	.83	.98	28.8	3.10	.67	.86	1.00					
	1350	37.8	1.84	.63	.79	.94	35.8	2.09	.64	.81	.97	34.0	2.38	.65	.83	.99	31.8	2.71	.67	.86	1.00	29.4	3.10	.69	.90	1.00					
71°F	1050	38.0	1.83	.44	.58	.71	36.2	2.09	.45	.59	.73	34.4	2.38	.46	.61	.74	32.2	2.72	.46	.62	.77	30.0	3.10	.46	.63	.80					
	1200	39.0	1.84	.46	.60	.74	37.2	2.10	.47	.61	.76	35.2	2.39	.47	.63	.78	33.0	2.72	.48	.64	.81	30.6	3.10	.49	.66	.84					
	1350	40.0	1.84	.46	.62	.77	37.8	2.10	.46	.63	.79	35.8	2.39	.48	.65	.81	33.6	2.72	.49	.66	.84	31.0	3.10	.49	.69	.88					

### 3 TON HEATING - LRP14HP36

Indoor Coil Air Volume 70°F Dry Bulb cfm	Air Temperature Entering Outdoor Coil									
	65°F		45°F		25°F		5°F		-15°F	
	Total Heating Capacity	Comp. Motor Input Input	Total Heating Capacity	Comp. Motor Input Input	Total Heating Capacity	Comp. Motor Input Input	Total Heating Capacity	Comp. Motor Input Input	Total Heating Capacity	Comp. Motor Input Input
1050	43.7	2.17	32.9	2.02	21.8	1.87	13.8	1.66	7.2	1.23
1200	43.9	2.10	33.2	1.95	22.0	1.80	14.1	1.59	7.5	1.16
1350	44.1	2.05	33.4	1.90	22.2	1.75	14.3	1.54	7.7	1.11

### 3.5 TON COOLING - LRP14HP42

Entering Wet Bulb Temperature	Total Air Volume	Outdoor Air Temperature Entering Outdoor Coil																													
		85°F						95°F						105°F						115°F						125°F					
		Total Cool Cap.	Comp. Motor Input	Sensible/Total Ratio (S/T)			Total Cool Cap.	Comp. Motor Input	Sensible/Total Ratio (S/T)			Total Cool Cap.	Comp. Motor Input	Sensible/Total Ratio (S/T)			Total Cool Cap.	Comp. Motor Input	Sensible/Total Ratio (S/T)			Total Cool Cap.	Comp. Motor Input	Sensible/Total Ratio (S/T)							
				Dry Bulb					Dry Bulb					Dry Bulb					Dry Bulb												
cfm	kBtuh	kW	75°F	80°F	85°F	kBtuh	kW	75°F	80°F	85°F	kBtuh	kW	75°F	80°F	85°F	kBtuh	kW	75°F	80°F	85°F	kBtuh	kW	75°F	80°F	85°F						
59°F	1200	38.5	2.30	.92	1.00	1.00	37.2	2.62	.94	1.00	1.00	35.4	2.99	.97	1.00	1.00	33.6	3.41	.99	1.00	1.00	31.4	3.87	1.00	1.00	1.00					
	1400	40.5	2.29	.96	1.00	1.00	39.0	2.62	.98	1.00	1.00	37.2	2.98	1.00	1.00	1.00	35.2	3.39	1.00	1.00	1.00	32.8	3.86	1.00	1.00	1.00					
	1600	42.5	2.29	1.00	1.00	1.00	40.5	2.61	1.00	1.00	1.00	38.5	2.98	1.00	1.00	1.00	36.4	3.39	1.00	1.00	1.00	34.0	3.86	1.00	1.00	1.00					
63°F	1200	40.0	2.30	.75	.89	1.00	38.5	2.62	.76	.91	1.00	36.2	2.99	.79	.94	1.00	34.0	3.40	.81	.96	1.00	31.4	3.87	.84	1.00	1.00					
	1400	41.5	2.29	.78	.93	1.00	39.5	2.61	.80	.96	1.00	37.2	2.98	.82	.98	1.00	35.2	3.40	.85	1.00	1.00	33.0	3.87	.88	1.00	1.00					
	1600	42.5	2.29	.81	.97	1.00	40.5	2.61	.83	.99	1.00	38.5	2.97	.86	1.00	1.00	36.4	3.39	.89	1.00	1.00	34.0	3.86	.93	1.00	1.00					
67°F	1200	42.5	2.29	.60	.73	.85	40.5	2.61	.60	.74	.88	38.5	2.98	.61	.76	.90	36.0	3.39	.63	.78	.94	33.2	3.86	.65	.81	.97					
	1400	44.0	2.28	.61	.76	.90	41.5	2.60	.62	.78	.93	39.5	2.97	.64	.80	.95	36.8	3.38	.65	.83	.99	34.2	3.86	.67	.86	1.00					
	1600	45.0	2.28	.63	.79	.94	42.5	2.60	.64	.81	.97	40.0	2.97	.66	.84	.99	37.6	3.38	.68	.87	1.00	34.6	3.85	.70	.91	1.00					
71°F	1200	44.5	2.27	.45	.58	.71	42.5	2.60	.45	.59	.72	40.5	2.97	.45	.60	.74	38.0	3.38	.46	.62	.76	35.2	3.85	.47	.63	.80					
	1400	46.0	2.27	.46	.60	.74	44.0	2.59	.46	.61	.76	41.5	2.96	.47	.63	.78	39.0	3.37	.47	.64	.81	36.0	3.84	.48	.66	.84					
	1600	47.0	2.27	.47	.62	.77	45.0	2.59	.47	.64	.79	42.5	2.95	.48	.65	.82	39.5	3.37	.49	.67	.85	36.6	3.84	.50	.69	.88					

### 3.5 TON HEATING - LRP14HP42

Indoor Coil Air Volume 70°F Dry Bulb cfm	Air Temperature Entering Outdoor Coil									
	65°F		45°F		25°F		5°F		-15°F	
	Total Heating Capacity	Comp. Motor Input Input	Total Heating Capacity	Comp. Motor Input Input	Total Heating Capacity	Comp. Motor Input Input	Total Heating Capacity	Comp. Motor Input Input	Total Heating Capacity	Comp. Motor Input Input
1200	50.0	2.61	38.0	2.41	25.7	2.22	16.6	1.95	8.7	1420
1400	50.0	2.61	38.0	2.41	25.7	2.22	16.6	1.95	8.7	1420
1600	50.8	2.44	38.8	2.24	26.5	2.05	17.4	1.78	9.5	1250

# COOLING / HEATING RATINGS

NOTE - For Temperatures and Capacities not shown in tables, see bulletin - Cooling Unit Rating Table Correction Factor Data in Miscellaneous Engineering Data section.

## 4 TON COOLING - LRP14HP48

Entering Wet Bulb Temperature	Total Air Volume	Outdoor Air Temperature Entering Outdoor Coil																								
		85°F					95°F					105°F					115°F					125°F				
		Total Cool Cap.	Comp. Motor Input	Sensible/Total Ratio (S/T)			Total Cool Cap.	Comp. Motor Input	Sensible/Total Ratio (S/T)			Total Cool Cap.	Comp. Motor Input	Sensible/Total Ratio (S/T)			Total Cool Cap.	Comp. Motor Input	Sensible/Total Ratio (S/T)			Total Cool Cap.	Comp. Motor Input	Sensible/Total Ratio (S/T)		
				Dry Bulb					Dry Bulb					Dry Bulb					Dry Bulb					Dry Bulb		
		cfm	kBtuh	kW	75°F	80°F	85°F	kBtuh	kW	75°F	80°F	85°F	kBtuh	kW	75°F	80°F	85°F	kBtuh	kW	75°F	80°F	85°F	kBtuh	kW	75°F	80°F
59°F	1400	44.5	2.72	.94	1.00	1.00	43.0	3.07	.96	1.00	1.00	41.0	3.50	.99	1.00	1.00	38.5	4.00	1.00	1.00	1.00	36.0	4.57	1.00	1.00	1.00
	1600	46.5	2.72	.98	1.00	1.00	44.5	3.08	1.00	1.00	1.00	42.5	3.50	1.00	1.00	1.00	40.0	3.99	1.00	1.00	1.00	37.4	4.57	1.00	1.00	1.00
	1800	48.5	2.72	1.00	1.00	1.00	46.0	3.09	1.00	1.00	1.00	44.0	3.50	1.00	1.00	1.00	41.5	4.00	1.00	1.00	1.00	38.5	4.57	1.00	1.00	1.00
63°F	1400	46.0	2.72	.76	.90	1.00	44.0	3.08	.78	.93	1.00	41.5	3.50	.80	.96	1.00	38.5	4.00	.83	.99	1.00	36.0	4.57	.86	1.00	1.00
	1600	47.5	2.72	.79	.95	1.00	45.0	3.09	.81	.97	1.00	42.5	3.50	.84	1.00	1.00	40.0	4.00	.87	1.00	1.00	37.4	4.58	.91	1.00	1.00
	1800	48.5	2.72	.82	.98	1.00	46.0	3.08	.84	1.00	1.00	44.0	3.51	.87	1.00	1.00	41.5	4.00	.91	1.00	1.00	38.5	4.57	.95	1.00	1.00
67°F	1400	49.0	2.73	.60	.74	.87	46.5	3.09	.61	.76	.90	44.0	3.51	.62	.78	.93	41.0	4.00	.64	.81	.96	37.8	4.57	.66	.84	1.00
	1600	50.5	2.73	.62	.77	.92	48.0	3.09	.63	.79	.94	45.0	3.51	.64	.81	.97	42.0	4.00	.66	.84	1.00	38.5	4.57	.69	.88	1.00
	1800	51.5	2.73	.64	.80	.95	48.5	3.09	.65	.82	.98	46.0	3.51	.67	.85	1.00	42.5	4.00	.69	.88	1.00	39.5	4.57	.72	.93	1.00
71°F	1400	52.0	2.74	.45	.59	.72	49.0	3.09	.46	.60	.74	46.5	3.51	.46	.61	.76	43.5	4.01	.47	.62	.78	40.0	4.57	.47	.65	.82
	1600	53.0	2.74	.46	.61	.75	50.5	3.10	.47	.62	.77	47.5	3.51	.47	.63	.79	44.5	4.00	.48	.65	.82	41.0	4.58	.49	.68	.86
	1800	54.0	2.74	.46	.63	.78	51.5	3.10	.48	.64	.80	48.5	3.51	.49	.66	.83	45.0	4.01	.49	.68	.86	41.5	4.57	.51	.71	.91

## 4 TON HEATING - LRP14HP48

Indoor Coil Air Volume 70°F Dry Bulb cfm	Air Temperature Entering Outdoor Coil									
	65°F		45°F		25°F		5°F		-15°F	
	Total Heating Capacity	Comp. Motor Input	Total Heating Capacity	Comp. Motor Input	Total Heating Capacity	Comp. Motor Input	Total Heating Capacity	Comp. Motor Input	Total Heating Capacity	Comp. Motor Input
	kBtuh	kW	kBtuh	kW	kBtuh	kW	kBtuh	kW	kBtuh	kW
1400	57.2	2.95	43.4	2.78	28.9	2.59	19.9	2.39	10.2	1.76
1600	57.6	2.85	43.8	2.68	29.3	2.49	20.3	2.29	10.6	1.66
1800	58.1	2.78	44.3	2.61	29.7	2.43	20.7	2.23	11.0	1.60

## 5 TON COOLING - LRP14HP60

Entering Wet Bulb Temperature	Total Air Volume	Outdoor Air Temperature Entering Outdoor Coil																								
		85°F					95°F					105°F					115°F					125°F				
		Total Cool Cap.	Comp. Motor Input	Sensible/Total Ratio (S/T)			Total Cool Cap.	Comp. Motor Input	Sensible/Total Ratio (S/T)			Total Cool Cap.	Comp. Motor Input	Sensible/Total Ratio (S/T)			Total Cool Cap.	Comp. Motor Input	Sensible/Total Ratio (S/T)			Total Cool Cap.	Comp. Motor Input	Sensible/Total Ratio (S/T)		
				Dry Bulb					Dry Bulb					Dry Bulb					Dry Bulb					Dry Bulb		
		cfm	kBtuh	kW	75°F	80°F	85°F	kBtuh	kW	75°F	80°F	85°F	kBtuh	kW	75°F	80°F	85°F	kBtuh	kW	75°F	80°F	85°F	kBtuh	kW	75°F	80°F
59°F	1700	56.0	3.40	.92	1.00	1.00	53.5	3.84	.95	1.00	1.00	51.0	4.35	.97	1.00	1.00	48.5	4.88	1.00	1.00	1.00	45.5	5.54	1.00	1.00	1.00
	1800	57.0	3.41	.94	1.00	1.00	54.5	3.85	.96	1.00	1.00	52.0	4.35	.99	1.00	1.00	49.0	4.90	1.00	1.00	1.00	46.0	5.55	1.00	1.00	1.00
	2000	58.5	3.42	.97	1.00	1.00	56.0	3.87	.99	1.00	1.00	53.5	4.35	1.00	1.00	1.00	50.5	4.91	1.00	1.00	1.00	47.5	5.54	1.00	1.00	1.00
63°F	1700	58.0	3.42	.75	.89	1.00	55.0	3.86	.77	.91	1.00	52.0	4.34	.79	.94	1.00	49.0	4.89	.81	.97	1.00	45.5	5.54	.84	1.00	1.00
	1800	59.0	3.42	.76	.91	1.00	56.0	3.86	.78	.93	1.00	52.5	4.35	.80	.96	1.00	49.5	4.90	.83	.99	1.00	46.0	5.54	.86	1.00	1.00
	2000	60.0	3.43	.79	.94	1.00	57.0	3.87	.81	.96	1.00	53.5	4.36	.83	.99	1.00	50.5	4.90	.86	1.00	1.00	47.5	5.55	.90	1.00	1.00
67°F	1700	61.5	3.44	.59	.73	.86	58.5	3.88	.60	.75	.88	55.0	4.37	.62	.77	.91	52.0	4.92	.63	.79	.94	48.0	5.55	.65	.82	.98
	1800	62.5	3.44	.60	.74	.87	59.0	3.88	.61	.76	.90	56.0	4.37	.63	.78	.93	52.5	4.92	.64	.80	.96	48.5	5.55	.66	.84	.99
	2000	63.5	3.45	.61	.76	.91	60.5	3.88	.63	.78	.93	57.0	4.38	.64	.81	.96	53.0	4.93	.66	.83	.99	49.0	5.56	.68	.88	1.00
71°F	1700	64.5	3.45	.44	.57	.71	61.5	3.89	.45	.58	.72	58.5	4.39	.45	.60	.74	54.5	4.93	.46	.62	.77	50.5	5.57	.46	.64	.80
	1800	65.5	3.45	.45	.58	.72	62.5	3.90	.45	.60	.74	59.0	4.39	.46	.61	.76	55.0	4.96	.46	.63	.78	51.0	5.58	.46	.65	.81
	2000	67.0	3.47	.46	.60	.74	63.5	3.90	.46	.61	.76	60.0	4.41	.47	.63	.78	56.0	4.97	.47	.65	.81	52.0	5.59	.48	.67	.85

## 5 TON HEATING - LRP14HP60

Indoor Coil Air Volume 70°F Dry Bulb cfm	Air Temperature Entering Outdoor Coil									
	65°F		45°F		25°F		5°F		-15°F	
	Total Heating Capacity	Comp. Motor Input	Total Heating Capacity	Comp. Motor Input	Total Heating Capacity	Comp. Motor Input	Total Heating Capacity	Comp. Motor Input	Total Heating Capacity	Comp. Motor Input
	kBtuh	kW	kBtuh	kW	kBtuh	kW	kBtuh	kW	kBtuh	kW
1700	73.8	4.25	56.9	3.97	39.6	3.68	26.2	3.27	13.5	2.39
1800	74.0	4.20	57.2	3.91	39.9	3.63	26.5	3.21	13.8	2.34
2000	74.4	4.11	57.6	3.82	40.3	3.54	26.9	3.12	14.2	2.25

## BLOWER DATA

### LRP14HP36

Blower Tap	External Static (in.w.g.)										
		0.1	0.2	0.3	0.4	0.5	0.6	0.7	0.8	0.9	1.0
Tap 1 (Fan Only)	CFM	839	756	658	531	446	366	---	---	---	---
	RPM	431	481	540	606	655	702	---	---	---	---
	Watts	66	72	78	86	91	97	---	---	---	---
Tap 2 (Low Cooling)	CFM	1241	1204	1157	1109	1067	1024	978	931	885	848
	RPM	762	784	809	836	862	891	919	947	973	999
	Watts	261	268	276	283	290	299	307	314	322	329
Tap 3 (High Cooling)	CFM	1547	1508	1477	1440	1398	1364	1332	1291	1260	1220
	RPM	917	940	958	978	999	1018	1040	1063	1085	1106
	Watts	475	484	493	501	511	519	529	538	549	554
<sup>1</sup> Tap 4 (Low Electric Heat)	CFM	1241	1204	1157	1109	1067	1024	978	931	885	848
	RPM	762	784	809	836	862	891	919	947	973	999
	Watts	261	268	276	283	290	299	307	314	322	329
<sup>1</sup> Tap 5 (High Electric Heat)	CFM	1547	1508	1477	1440	1398	1364	1332	1291	1260	1220
	RPM	917	940	958	978	999	1018	1040	1063	1085	1106
	Watts	475	484	493	501	511	519	529	538	549	554

NOTE - All air data is measured external to unit with dry coil and without air filters.

<sup>1</sup> Taps 4 and 5 are used with Optional Electric Heat. Refer to Electric Heat nameplate for proper heat tap selection.

### LRP14HP42

Blower Tap	External Static (in.w.g.)										
		0.1	0.2	0.3	0.4	0.5	0.6	0.7	0.8	0.9	1.0
Tap 1 (Fan Only)	CFM	833	758	676	569	493	406	346	---	---	---
	RPM	441	493	547	605	659	708	745	---	---	---
	Watts	67	73	79	87	92	99	103	---	---	---
Tap 2 (Low Cooling)	CFM	1575	1519	1475	1438	1411	1376	1341	1294	1252	1209
	RPM	777	805	832	857	882	908	937	968	995	1024
	Watts	370	382	394	405	416	428	440	454	467	478
Tap 3 (High Cooling)	CFM	1818	1772	1726	1680	1638	1599	1562	1518	1475	1429
	RPM	751	780	806	833	861	884	907	931	962	988
	Watts	396	410	420	433	445	455	465	476	489	500
<sup>1</sup> Tap 4 (Low Electric Heat)	CFM	1575	1519	1475	1438	1411	1376	1341	1294	1252	1209
	RPM	777	805	832	857	882	908	937	968	995	1024
	Watts	370	382	394	405	416	428	440	454	467	478
<sup>1</sup> Tap 5 (High Electric Heat)	CFM	1818	1772	1726	1680	1638	1599	1562	1518	1475	1429
	RPM	751	780	806	833	861	884	907	931	962	988
	Watts	396	410	420	433	445	455	465	476	489	500

NOTE - All air data is measured external to unit with dry coil and without air filters.

<sup>1</sup> Taps 4 and 5 are used with Optional Electric Heat. Refer to Electric Heat nameplate for proper heat tap selection.

## BLOWER DATA

### LRP14HP48

Blower Tap	External Static (in.w.g.)										
		0.1	0.2	0.3	0.4	0.5	0.6	0.7	0.8	0.9	1.0
Tap 1 (Fan Only)	CFM	839	757	658	532	447	366	---	---	---	---
	RPM	431	481	540	606	655	702	---	---	---	---
	Watts	66	72	78	86	91	97	---	---	---	---
Tap 2 (Low Cooling)	CFM	1677	1624	1577	1526	1481	1432	1385	1336	1279	1226
	RPM	698	729	759	789	816	843	872	902	934	968
	Watts	335	347	359	370	380	390	401	412	425	438
Tap 3 (High Cooling)	CFM	1972	1931	1885	1840	1803	1758	1725	1685	1644	1602
	RPM	797	823	853	880	903	929	951	974	997	1024
	Watts	532	545	560	575	587	601	613	623	634	648
<sup>1</sup> Tap 4 (Low Electric Heat)	CFM	1677	1624	1577	1526	1481	1432	1385	1336	1279	1226
	RPM	698	729	759	789	816	843	872	902	934	968
	Watts	335	347	359	370	380	390	401	412	425	438
<sup>1</sup> Tap 5 (High Electric Heat)	CFM	1972	1931	1885	1840	1803	1758	1725	1685	1644	1602
	RPM	797	823	853	880	903	929	951	974	997	1024
	Watts	532	545	560	575	587	601	613	623	634	648

NOTE - All air data is measured external to unit with dry coil and without air filters.

<sup>1</sup> Taps 4 and 5 are used with Optional Electric Heat. Refer to Electric Heat nameplate for proper heat tap selection.

### LRP14HP60

Blower Tap	External Static (in.w.g.)										
		0.1	0.2	0.3	0.4	0.5	0.6	0.7	0.8	0.9	1.0
Tap 1 (Fan Only)	CFM	1378	1320	1269	1223	1160	1099	1030	965	899	833
	RPM	603	639	668	699	740	778	816	855	894	931
	Watts	181	191	197	205	214	224	233	242	251	261
Tap 2 (Low Cooling)	CFM	1980	1936	1893	1852	1816	1780	1740	1703	1660	1615
	RPM	806	833	862	887	903	927	951	971	1002	1029
	Watts	460	472	484	498	504	516	526	536	551	564
Tap 3 (High Cooling)	CFM	2340	2300	2259	2224	2187	2158	2139	2108	2079	2038
	RPM	931	958	981	1004	1027	1047	1063	1081	1099	1116
	Watts	742	760	775	790	805	820	829	841	852	858
<sup>1</sup> Tap 4 (Low Electric Heat)	CFM	2232	2194	2154	2129	2089	2057	2026	1991	1960	1926
	RPM	897	917	946	970	993	1012	1028	1048	1068	1089
	Watts	653	666	683	696	708	722	731	743	755	767
<sup>1</sup> Tap 5 (High Electric Heat)	CFM	2329	2291	2256	2220	2183	2153	2136	2102	2075	2035
	RPM	931	954	980	1000	1025	1044	1061	1081	1102	1116
	Watts	742	757	773	785	804	815	828	841	855	858

NOTE - All air data is measured external to unit with dry coil and without air filters.

<sup>1</sup> Taps 4 and 5 are used with Optional Electric Heat. Refer to Electric Heat nameplate for proper heat tap selection.

## BLOWER DATA

### AIR RESISTANCE DATA - in. w.g.

Air Volume cfm	Wet Indoor Coil			Optional Economizer	Rectangular to Round Duct Adaptor Kits			
	036, 042	048	060		Downflow	Horizontal		
					14 in. Diameter	14 in. Diameter	16 in. Diameter	18 in. Diameter
600	0.01	0.01	---	0.02	---	---	---	---
700	0.01	0.01	0.01	0.03	0.13	0.13	---	---
800	0.01	0.01	0.01	0.04	0.16	0.17	---	---
900	0.02	0.01	0.01	0.05	0.21	0.21	---	---
1000	0.02	0.02	0.02	0.06	0.25	0.24	0.11	0.03
1100	0.02	0.02	0.02	0.07	0.30	0.30	0.11	0.03
1200	0.03	0.02	0.02	0.08	0.37	0.36	0.13	0.03
1300	0.03	0.03	0.03	0.10	0.43	0.43	0.17	0.03
1400	0.04	0.03	0.03	0.12	0.51	0.50	0.20	0.03
1500	0.05	0.04	0.03	0.13	0.57	0.57	0.21	0.05
1600	0.05	0.05	0.03	0.15	0.65	0.63	0.26	0.05
1700	0.05	0.05	0.04	0.18	0.72	0.71	0.30	0.06
1800	0.06	0.05	0.04	0.20	0.81	0.80	0.30	0.06
1900	0.06	0.06	0.04	0.21	0.90	0.91	0.40	0.06
2000	0.07	0.06	0.05	0.24	1.01	0.99	0.41	0.06

**ELECTRICAL/ELECTRIC HEAT DATA**

**3 TON**

		Model No.	LRP14HP36	
<sup>1</sup> Voltage - 60Hz			208/230V-3ph	460V-3ph
Compressor	Rated Load Amps		9	5.8
	Locked Rotor Amps		71	38
Outdoor Fan Motor	Full Load Amps		1.8	1
Indoor Blower Motor	Horsepower		0.75	0.75
	Type		ECM	ECM
	Full Load Amps		6	3.2
<sup>2</sup> Maximum Overcurrent Protection (MOCP)	Unit Only		25	15
<sup>3</sup> Minimum Circuit Ampacity (MCA)	Unit Only		19.0	11.4

**ELECTRIC HEAT DATA**

Electric Heat Voltage				208V	240V	480V
<sup>2</sup> Maximum Overcurrent Protection (MOCP)	Electric Heat	5 kW		25	25	15
		10 kW		35	40	20
		15 kW		50	60	30
<sup>3</sup> Minimum Circuit Ampacity (MCA)	Electric Heat	5 kW		20.5	22.5	11.5
		10 kW		33.6	37.6	19.0
		15 kW		46.6	52.6	26.6

NOTE - All units have a minimum Short Circuit Current Rating (SCCR) of 5000 amps.

NOTE - Field wiring for electric heat is separate from the unit power supply. A second, separate power source is required.

<sup>1</sup> Extremes of operating range are plus and minus 10% of line voltage.

<sup>2</sup> HACR type breaker or fuse.

<sup>3</sup> Refer to National or Canadian Electrical Code manual to determine wire, fuse and disconnect size requirements.

**ELECTRICAL/ELECTRIC HEAT DATA**

**3.5 TON**

		Model No.	LRP14HP42	
<sup>1</sup> Voltage - 60Hz			208/230V-3ph	460V-3ph
Compressor	Rated Load Amps		11.2	5.6
	Locked Rotor Amps		84	44
Outdoor Fan Motor	Full Load Amps		1.8	1
Indoor Blower Motor	Horsepower		0.75	0.75
	Type		ECM	ECM
	Full Load Amps		6	3.2
<sup>2</sup> Maximum Overcurrent Protection (MOCP)	Unit Only		30	15
<sup>3</sup> Minimum Circuit Ampacity (MCA)	Unit Only		21.8	11.2

**ELECTRIC HEAT DATA**

Electric Heat Voltage				208V	240V	480V
<sup>2</sup> Maximum Overcurrent Protection (MOCP)	Electric Heat	5 kW		25	25	15
		10 kW		35	40	20
		15 kW		50	60	30
		20 kW		70	80	40
<sup>3</sup> Minimum Circuit Ampacity (MCA)	Electric Heat	5 kW		20.5	22.5	11.5
		10 kW		33.6	37.6	19.0
		15 kW		46.6	52.6	26.6
		20 kW		69.2	78.6	39.6

NOTE - All units have a minimum Short Circuit Current Rating (SCCR) of 5000 amps.

NOTE - Field wiring for electric heat is separate from the unit power supply. A second, separate power source is required.

<sup>1</sup> Extremes of operating range are plus and minus 10% of line voltage.

<sup>2</sup> HACR type breaker or fuse.

<sup>3</sup> Refer to National or Canadian Electrical Code manual to determine wire, fuse and disconnect size requirements.

**ELECTRICAL/ELECTRIC HEAT DATA****4 TON****Model No.****LRP14HP48**

<sup>1</sup> Voltage - 60Hz		208/230V-3ph	460V-3ph
Compressor	Rated Load Amps	13.8	6.1
	Locked Rotor Amps	83	43
Outdoor Fan Motor	Full Load Amps	1.8	1
Indoor Blower Motor	Horsepower	1.0	1.0
	Type	ECM	ECM
	Full Load Amps	7.6	4
<sup>2</sup> Maximum Overcurrent Protection (MOCP)	Unit Only	40	15
<sup>3</sup> Minimum Circuit Ampacity (MCA)	Unit Only	26.6	12.6

**ELECTRIC HEAT DATA**

<b>Electric Heat Voltage</b>				<b>208V</b>	<b>240V</b>	<b>480V</b>
<sup>2</sup> Maximum Overcurrent Protection (MOCP)	Electric Heat	5 kW		25	25	15
		10 kW		35	40	20
		15 kW		50	60	30
		20 kW		70	80	40
<sup>3</sup> Minimum Circuit Ampacity (MCA)	Electric Heat	5 kW		20.5	22.5	11.5
		10 kW		33.6	37.6	19.0
		15 kW		46.6	52.6	26.6
		20 kW		69.2	78.6	39.6

NOTE - All units have a minimum Short Circuit Current Rating (SCCR) of 5000 amps.

NOTE - Field wiring for electric heat is separate from the unit power supply. A second, separate power source is required.

<sup>1</sup> Extremes of operating range are plus and minus 10% of line voltage.<sup>2</sup> HACR type breaker or fuse.<sup>3</sup> Refer to National or Canadian Electrical Code manual to determine wire, fuse and disconnect size requirements.**ELECTRICAL/ELECTRIC HEAT DATA****5 TON****Model No.****LRP14HP60**

<sup>1</sup> Voltage - 60Hz		208/230V-3ph	460V-3ph
Compressor	Rated Load Amps	13.2	6.3
	Locked Rotor Amps	93	60
Outdoor Fan Motor	Full Load Amps	1.8	1
Indoor Blower Motor	Horsepower	1.0	1.0
	Type	ECM	ECM
	Full Load Amps	7.6	4
<sup>2</sup> Maximum Overcurrent Protection (MOCP)	Unit Only	35	15
<sup>3</sup> Minimum Circuit Ampacity (MCA)	Unit Only	25.9	12.9

**ELECTRIC HEAT DATA**

<b>Electric Heat Voltage</b>				<b>208V</b>	<b>240V</b>	<b>480V</b>
<sup>2</sup> Maximum Overcurrent Protection (MOCP)	Electric Heat	5 kW		25	25	15
		10 kW		35	40	20
		15 kW		50	60	30
		20 kW		70	80	40
		23 kW		90	100	50
<sup>3</sup> Minimum Circuit Ampacity (MCA)	Electric Heat	5 kW		20.5	22.5	11.5
		10 kW		33.6	37.6	19.0
		15 kW		46.6	52.6	26.6
		20 kW		69.2	78.6	39.6
		23 kW		80.4	91.3	45.9

NOTE - All units have a minimum Short Circuit Current Rating (SCCR) of 5000 amps.

NOTE - Field wiring for electric heat is separate from the unit power supply. A second, separate power source is required.

<sup>1</sup> Extremes of operating range are plus and minus 10% of line voltage.<sup>2</sup> HACR type breaker or fuse.<sup>3</sup> Refer to National or Canadian Electrical Code manual to determine wire, fuse and disconnect size requirements.



## ELECTRIC HEAT CAPACITIES

Input Voltage	5 kW			10 kW			15 kW			20 kW			23 kW		
	No of Stages	kW input	Btuh Output	No of Stages	kW input	Btuh Output	No of Stages	kW input	Btuh Output	No of Stages	kW input	Btuh Output	No of Stages	kW input	Btuh Output
208	1	3.8	12,800	1	7.5	25,600	1	11.2	38,400	1	17.3	59,100	1	19.9	68,000
220	1	4.2	14,300	1	8.4	28,700	1	12.6	43,000	1	18.3	62,600	1	21.1	71,900
230	1	4.6	15,700	1	9.2	31,400	1	13.8	47,000	1	19.2	65,400	1	22.0	75,200
240	1	5.0	17,100	1	10.0	34,200	1	15.0	51,200	1	20.0	68,200	1	23.0	78,500
440	1	4.2	14,300	1	8.4	28,700	1	12.6	43,000	1	18.3	62,600	1	21.1	71,900
460	1	4.6	15,700	1	9.2	31,400	1	13.8	47,000	1	19.2	65,400	1	22.0	75,200
480	1	5.0	17,100	1	10.0	34,200	1	15.0	51,200	1	20.0	68,200	1	23.0	78,500

## INSTALLATION CLEARANCES

	in.	mm
Front	24	610
Right Side (blower and indoor coil access)	24	610
Left Side (compressor access)	24	610
Back	0	0
Top	48	1219

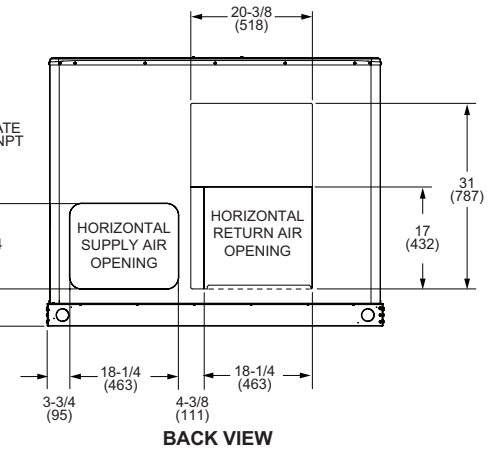
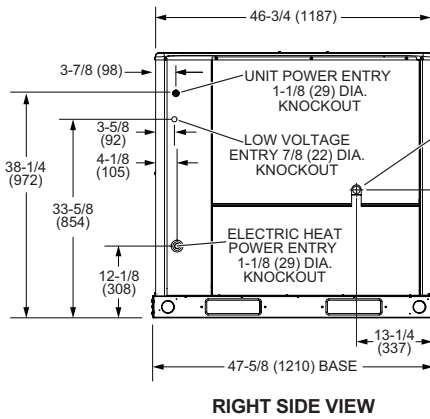
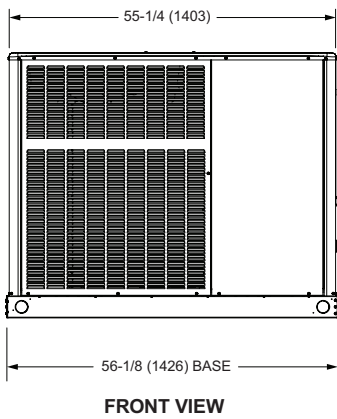
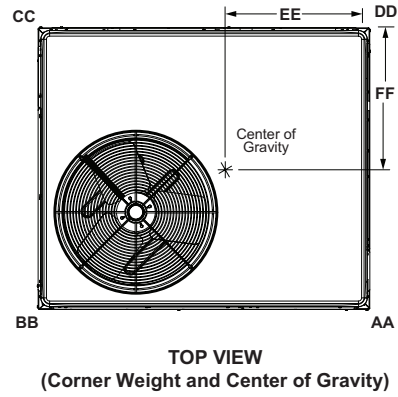
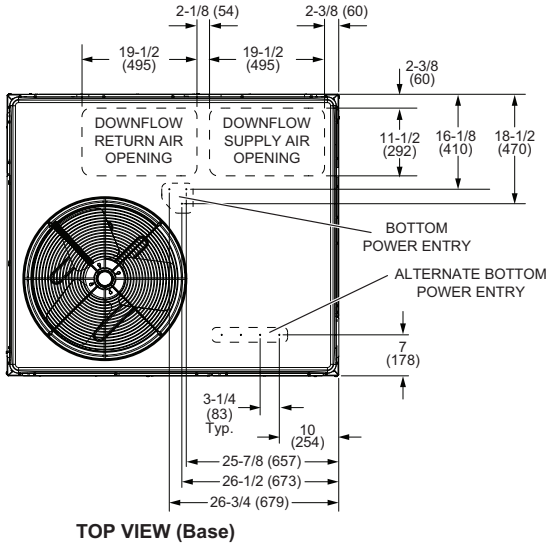
WEIGHT DATA				UNIT
Model Number	Net		Shipping	
	lbs.	kg	lbs.	kg
LRP14HP36	505	229	515	234
LRP14HP42	517	235	527	239
LRP14HP48	526	239	536	243
LRP14HP60	536	243	546	248

WEIGHT DATA		OPTIONS / ACCESSORIES	
		Shipping	
		lbs.	kg
<b>CABINET</b>			
Tool-Less Filter Access Kit		20	9
<b>ECONOMIZER / OUTDOOR AIR</b>			
<b>Economizer</b>			
Economizer, Includes Barometric Relief Dampers and Exhaust Hood		95	43
<b>Outdoor Air Dampers</b>			
Motorized		35	16
Manual		28	13
<b>ELECTRIC HEAT</b>			
5 kW		6	3
7.5 kW		7	3
10 kW		8	4
15 kW		8	4
20 kW		8	4
23 kW		9	4
<b>ROOF CURBS</b>			
<b>Clip Curbs</b>			
8 in. height		63	29
14 in. height		77	35
18 in. height		99	45
24 in. height		132	60
<b>Adjustable Pitch Curb, Downflow</b>			
14 in. height		95	43

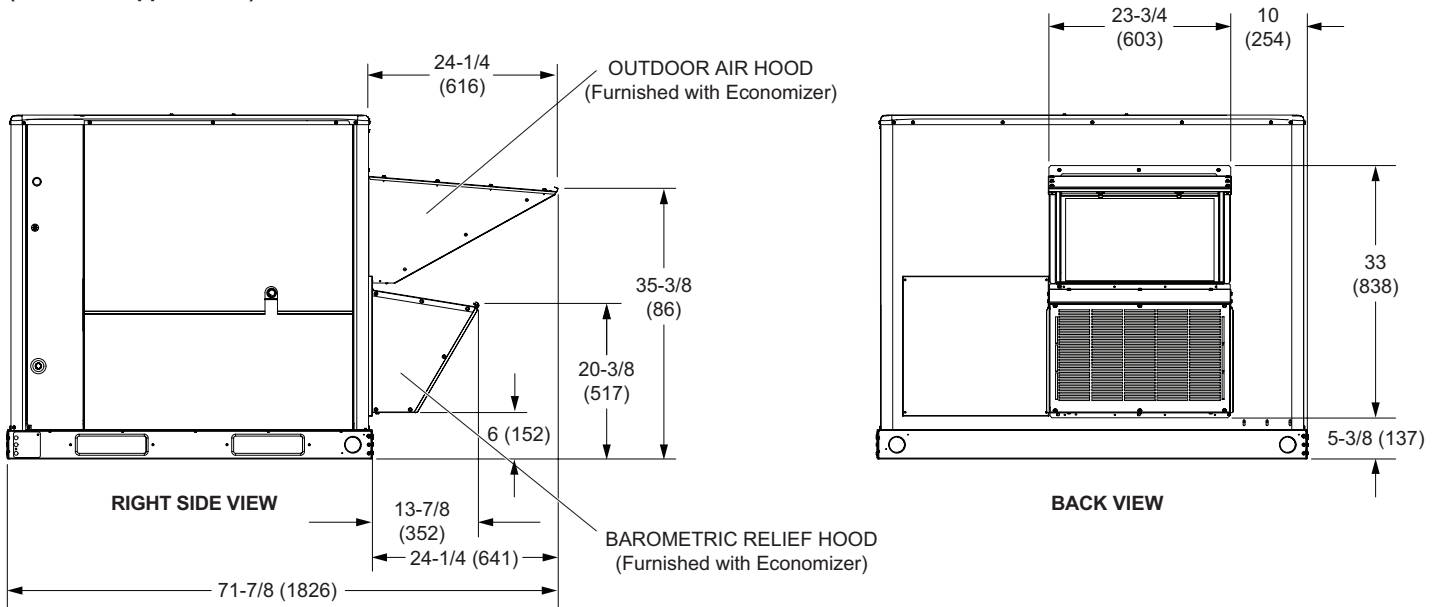
# DIMENSIONS

# UNIT

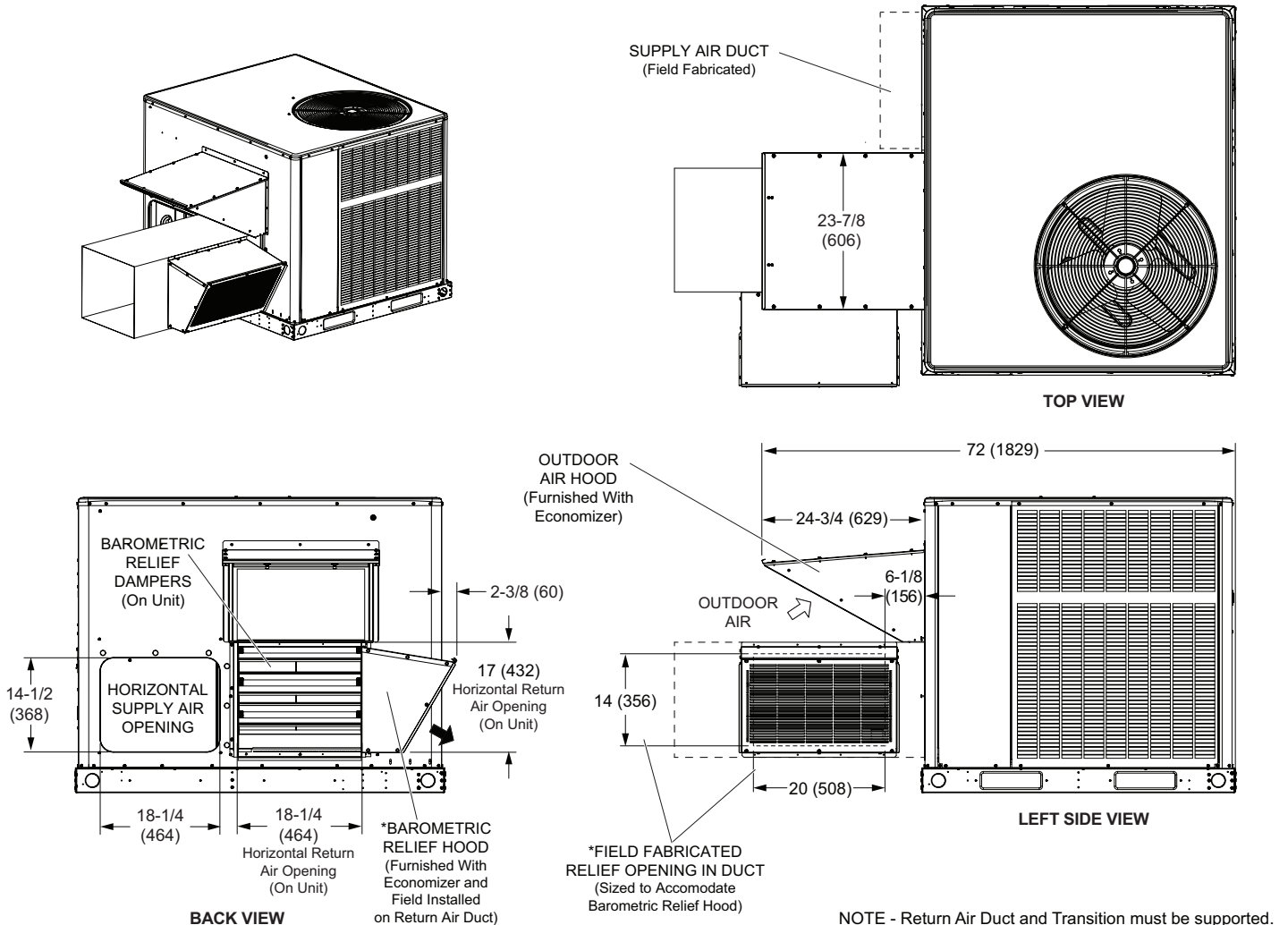
Model Number	CORNER WEIGHTS								CENTER OF GRAVITY			
	AA		BB		CC		DD		EE		FF	
	lbs.	kg	lbs.	kg	lbs.	kg	lbs.	kg	in.	mm	in.	mm
LRP14HP36	116	53	126	57	137	62	126	57	25.25	641	21.50	546
LRP14HP42	118	54	129	59	140	64	129	59	25.25	641	21.50	546
LRP14HP48	120	54	132	60	143	65	131	59	25.25	641	21.50	546
LRP14HP60	123	56	134	61	145	66	134	61	25.25	641	21.50	546



**OUTDOOR AIR HOOD DETAIL FOR OPTIONAL ECONOMIZER WITH BAROMETRIC RELIEF DAMPERS  
(Downflow Applications)**

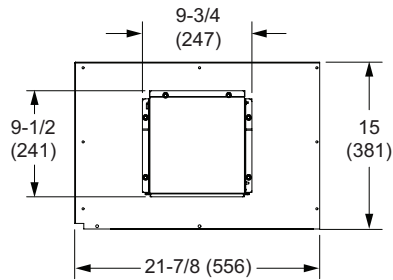
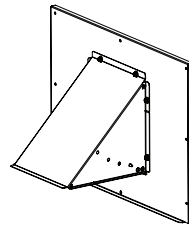
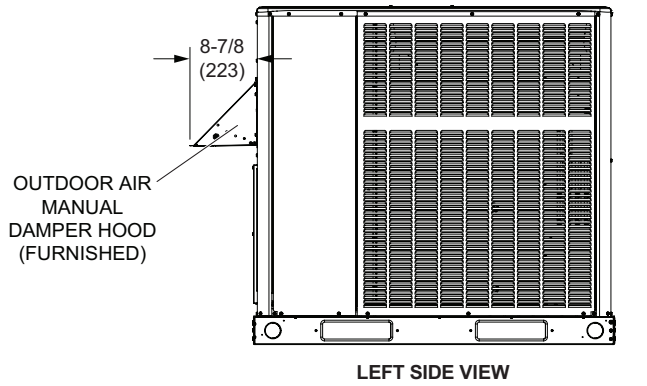


**OUTDOOR AIR HOOD DETAIL FOR OPTIONAL ECONOMIZER WITH BAROMETRIC RELIEF DAMPERS  
(Horizontal Applications)**

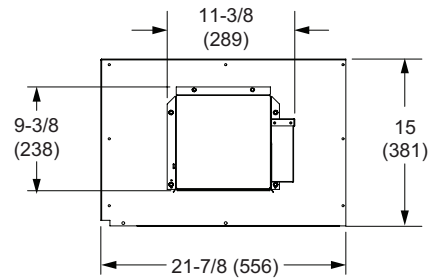
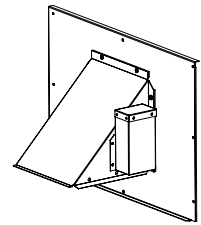
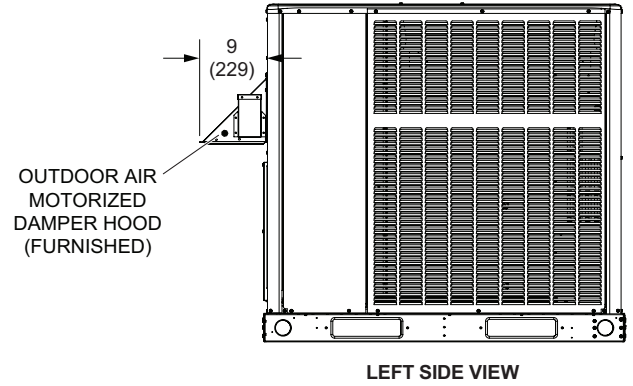


**OUTDOOR AIR HOOD DETAIL FOR OPTIONAL OUTDOOR AIR DAMPERS**

**MANUAL OUTDOOR AIR DAMPERS**

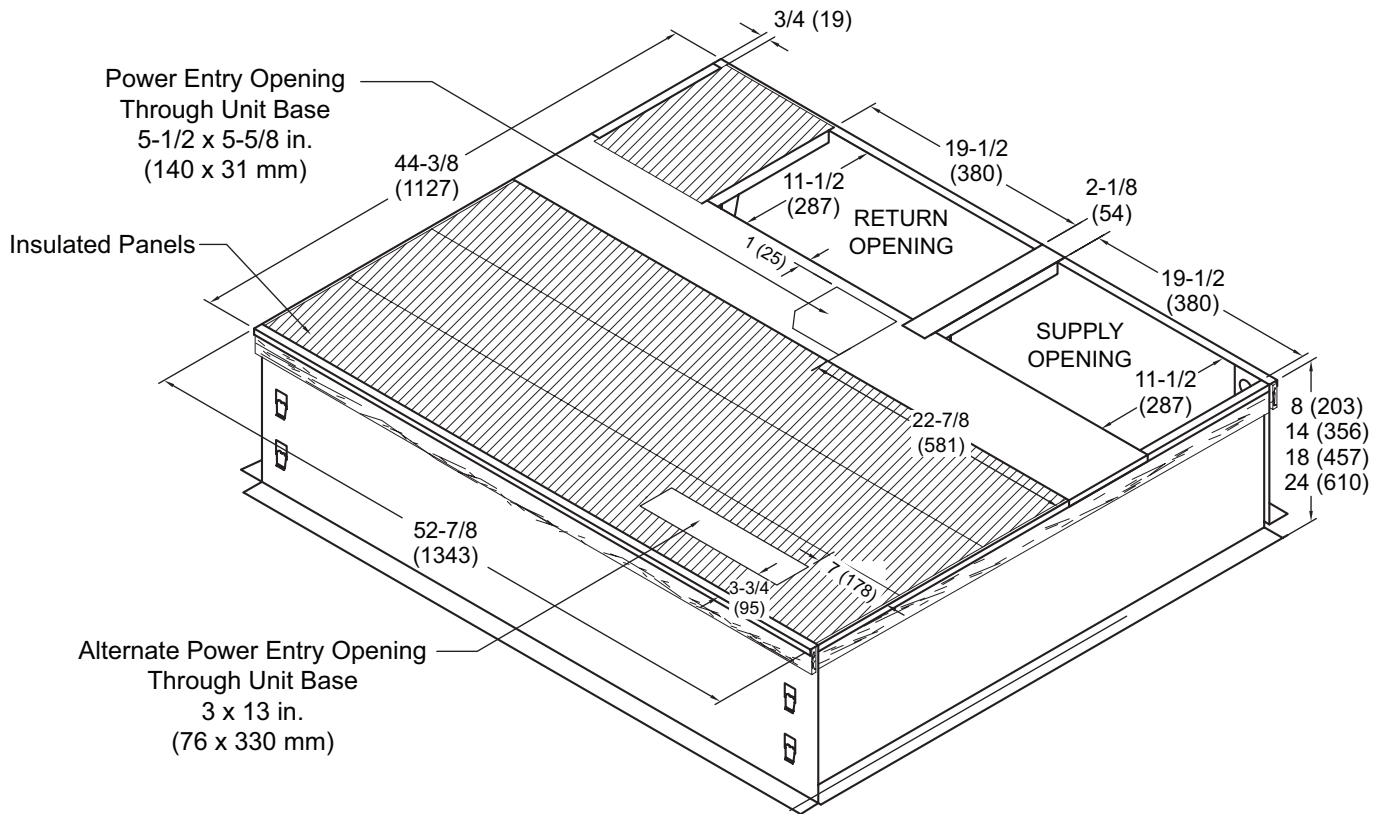


**MOTORIZED OUTDOOR AIR DAMPERS**



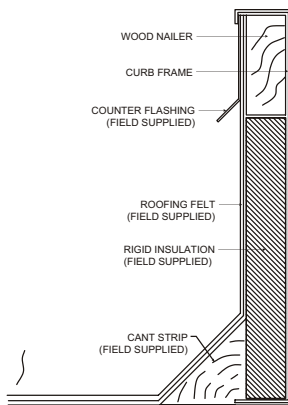
NOTE - Outdoor Air Hood and Panel replaces existing panel on unit.

**CLIP CURB**

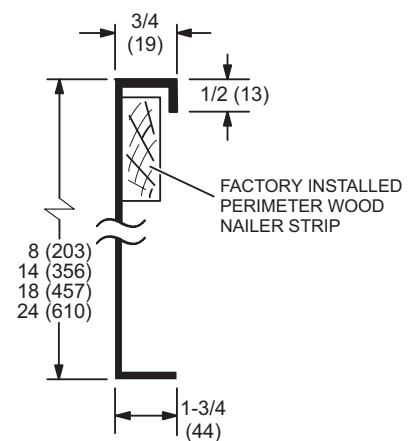


NOTE - Roof deck may be omitted within confines of curb.

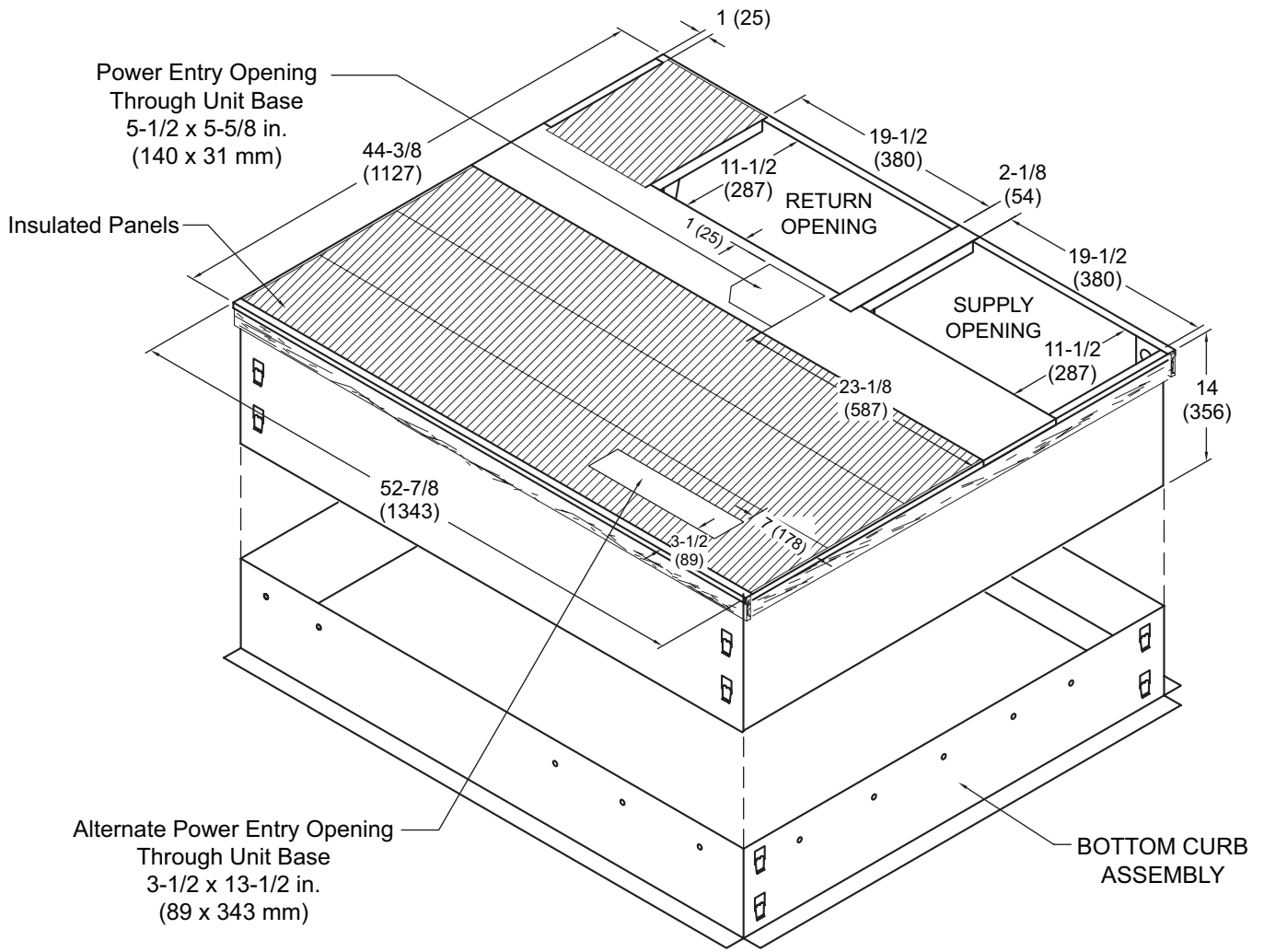
**TYPICAL FLASHING DETAIL FOR ROOF CURB**



**DETAIL ROOF CURB**

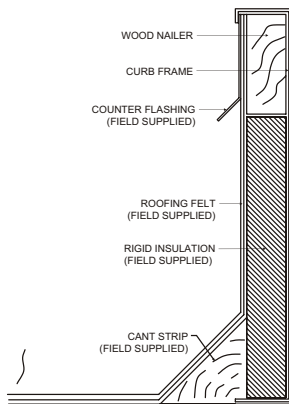


**ADJUSTABLE PITCH ROOF CURB**

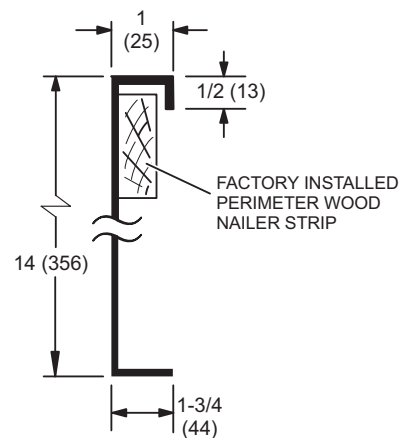


NOTE - Roof deck may be omitted within confines of curb.

**TYPICAL FLASHING DETAIL FOR ROOF CURB**



**DETAIL ROOF CURB**



## OPTIONAL CONVENTIONAL TEMPERATURE CONTROL SYSTEMS

### ComfortSense® 7500 Commercial 7-Day Programmable Thermostat



- Four-Stage Heating / Two-Stage Cooling
- Universal Multi-Stage
- Intuitive Touchscreen Interface
- Automatic Changeover between Heating and Cooling
- Full Seven-Day Programming
- Four Time Periods Per Day
- Temperature and Humidity Control
- One-Touch Away Mode
- Holiday Scheduling
- Smooth Setback Recovery (SSR)
- Performance Reports
- Notifications/Reminders
- Economizer Relay Control
- Backlit Display
- Wallplate Furnished
- FDD, ASHRAE and IECC Compliant

### ComfortSense® 3000 Commercial 5-2 Day Programmable Thermostat



- Two-Stage Heating / Two-Stage Cooling
- Conventional Systems
- Intuitive Interface
- 5-2 Day Programming
- Program Hold
- Remote Indoor Temperature Sensing
- Smooth Setback Recovery (SSR)
- Economizer Relay Control
- Maintenance/Filter/Service Reminders
- Backlit Display
- Wallplate Furnished
- Simple Up and Down Temperature Control

Description	Catalog No.
<b>ComfortSense® 7500 7-Day Programmable</b>	<b>17G74</b>
Universal thermostat locking guard (clear)	<b>39P21</b>
<b>Temperature Sensors</b>	<b>47W36</b>
1 Remote non-adjustable wall-mount 20k	<b>47W37</b>
1 Remote non-adjustable wall-mount 10k	<b>19L22</b>
Remote non-adjustable discharge air (duct mount)	<b>X2658</b>
Outdoor temperature sensor	
<sup>1</sup> Remote wall-mount sensors can be applied in any of the following combinations: One Sensor - (1) 47W36, Two Sensors - (2) 47W37, Three Sensors - (2) 47W36 and (1) 47W37 Four Sensors - (4) 47W36, Five Sensors - (3) 47W36 and (2) 47W37	
<b>ComfortSense® 3000 5-2 Day Programmable</b>	<b>11Y05</b>
Thermostat wall mounting plate	<b>X2659</b>
<b>Temperature Sensor</b>	<b>47W37</b>
Remote non-adjustable wall mount 10k averaging	

<sup>2</sup> Only compatible with BACnet Module (16X71).





## REVISIONS

Sections	Description of Change
Blower Data	Added Air Resistance data for 16 and 18 in. Rectangular to Round Duct Adaptor kits
Electrical/Electric Heat Data	Added note that a second, separate power source is required for electric heat
Options/Accessories	Added 16 and 18 in. sizes for the Rectangular to Round Duct Adaptor kits Added Hurricane Strapping Kit for Rail Mount



Visit us at [www.Lennox.com](http://www.Lennox.com)

For the latest technical information, [www.LennoxCommercial.com](http://www.LennoxCommercial.com)

Contact us at 1-800-4-LENNOX

NOTE - Due to Lennox' ongoing commitment to quality, Specifications, Ratings and Dimensions subject to change without notice and without incurring liability. Improper installation, adjustment, alteration, service or maintenance can cause property damage or personal injury. Installation and service must be performed by a qualified installer and servicing agency.

©2022 Lennox Industries, Inc.