



Two-Stage Compressor - Variable Speed - Single-Phase - 60Hz

**RESIDENTIAL
PRODUCT SPECIFICATIONS**

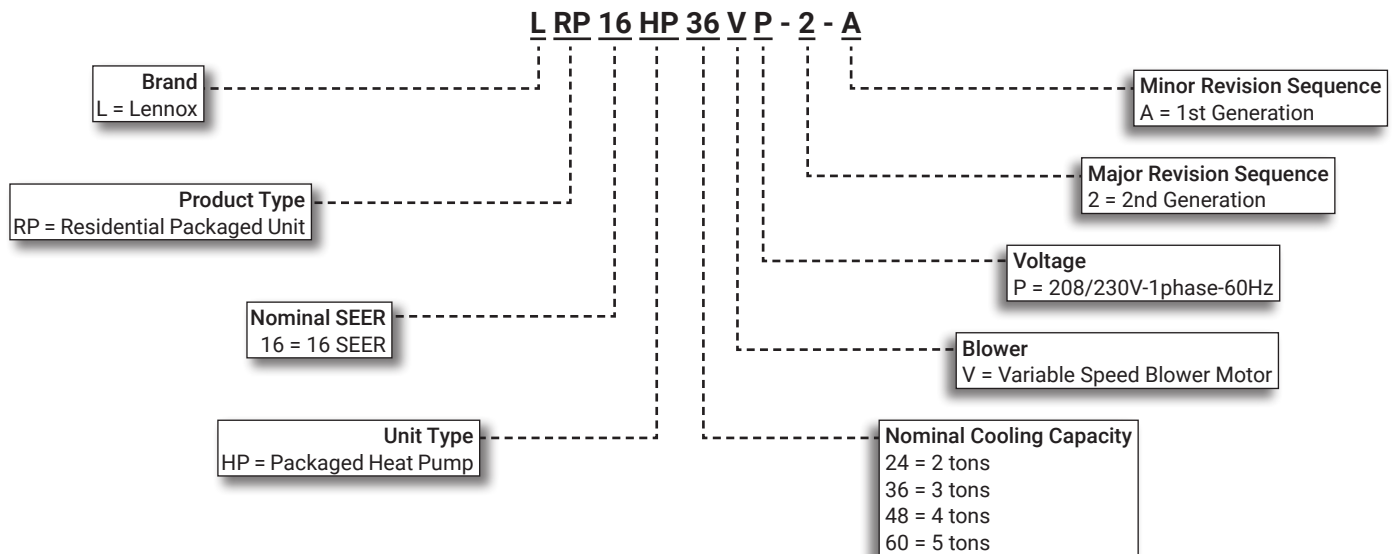
Bulletin No. 210774
February 2022
Supersedes January 2022



SEER - up to 16.00
HSPF - 8.20
2 to 5 Tons

Cooling Capacity - 23,000 to 57,000 Btuh
Heating Capacity - 22,000 to 56,000 Btuh
Optional Electric Heat - 5 to 20 kW

MODEL NUMBER IDENTIFICATION



CONTENTS

Approvals And Warranty	2
Blower Data	10
Cooling Ratings	11
Dimensions	14
- Unit	14
- Accessories	15
Electrical Data	7
Electric Heat Capacities	9
Electric Heat Data	9
Features	3
Field Wiring	13
Heating Ratings	13
Installation Clearances	13
Model Number Identification	1
Optional Accessories - Order Separately	8
Specifications	7

APPROVALS AND WARRANTY

APPROVALS

- AHRI Standard 210/240 Certified
- Design Certified by ETL Intertek
- ENERGY STAR® certified units are designed to use less energy, help save money on utility bills, and help protect the environment
- Cooling system rated according to DOE test procedures
- Heating ratings are Certified by AHRI according to U.S. Department of Energy (DOE) test procedures and Federal Trade Commission (FTC) labeling regulations
- Units are ETL Certified for the U.S. and Canada
- All models with the Optional Seismic Strapping Kit installed have Seismic Certification for 2018 International Building Code (IBC) and 2019 California Building Code (CBC) ASCE 7
- Unit and components are UL bonded for grounding to meet safety standards for servicing
- Optional electric heaters are ETL listed for the US and Canada and are rated and tested according to DOE test procedures and FTC labeling regulations
- Test operated at the factory before shipment ensuring dependable operation at start-up

WARRANTY

- Compressor:
 - Limited ten years in residential installations
 - Limited five years in non-residential installations
- All other covered components:
 - Limited five years in residential installations
 - Limited one year in non-residential installations

NOTE - Refer to Lennox® Basic Limited Warranty at www.Lennox.com for additional details.

FEATURES

APPLICATIONS

- Designed for outdoor installations at ground level or rooftop for residential applications.

NOTE - Units are not approved for zoning applications.

REFRIGERATION SYSTEM

R-410A Refrigerant

- Non-chlorine, ozone friendly
- Unit pre-charged with refrigerant

Indoor and Outdoor Coils

- Copper tube with aluminum fin coils

Anti-Microbial Indoor Coil Drain Pan

- Anti-Microbial additive resists growth of mold and mildew on drain pan which improves indoor air quality and reduces drain line blockage
- Drain pan overflow switch monitors condensate level in drain pan and shuts down unit if drain becomes clogged
- Fully insulated to reduce condensation

Outdoor Coil Fan

- Weather protected heavy duty condenser fan motor
- Coated steel fan blades for long life
- Corrosion-resistant coated steel fan guard
- Internally mounted
- Totally enclosed fan motor

Four-Way Reversing Valve

- Rapid changeover of refrigerant flow direction from cooling to heating and vice versa
- Operates on pressure differential between outdoor unit and indoor coil
- Factory installed

High Pressure Switch

- Protects the system from high pressure conditions
- Automatic reset

Loss of Charge Switch

- Shuts off unit if suction pressure falls below setting
- Loss of charge and freeze-up protection

COMPRESSOR

Two-Stage Scroll Compressor

- High volumetric efficiency
- Uniform suction flow
- Constant discharge flow
- Quiet operation

Compressor Operation

- Two involute spiral scrolls matched together generate a series of crescent shaped gas pockets between them
- During compression, one scroll remains stationary while the other scroll orbits around it
- Gas is drawn into the outer pocket, the pocket is sealed as the scroll rotates
- As the spiral movement continues, gas pockets are pushed to the center of the scrolls
- Volume between the pockets is simultaneously reduced
- When the pocket reaches the center, gas is now at high pressure and is forced out of a port located in the center of the fixed scrolls
- During compression, several pockets are compressed simultaneously resulting in a smooth continuous compression cycle
- Continuous flank contact, maintained by centrifugal force, minimizes gas leakage and maximizes efficiency
- Compressor is tolerant to the effects of slugging and contaminants
- If this occurs, scrolls separate, allowing liquid or contaminants to be worked toward the center and discharged
- During the compression process, there are several pockets in the scroll that are compressing gas
- Modulation is achieved by venting a portion of the gas in the first suction pocket back to the low side of the compressor thereby reducing the effective displacement of the compressor
- A 24-volt DC solenoid valve inside the compressor controls staging
- When the 3-way solenoid is energized it moves the lift ring assembly to block the ports and the compressor operates at full-load or 100% capacity
- When the solenoid is de-energized the lift ring assembly moves to unblock the compressor ports and the compressor operates at part-load or approximately 67% of its full-load capacity
- The "loading" and "unloading" of the two stage scroll is done "on the fly" without shutting off the single-speed compressor motor between stages
- Low gas pulses during compression reduces operational sound levels
- Compressor motor is internally protected from excessive current and temperature
- Compressor is installed in the unit on specially formulated, resilient rubber mounts for better sound dampening and vibration free operation

FEATURES

COMPRESSOR (continued)

Optional Accessories

Compressor Crankcase Heater

- Protects against refrigerant migration that can occur during low ambient operation

Compressor Hard Start Kit

- A PSC compressor motor does not normally need a potential relay and start capacitor
- In cases of low voltage, kit may be required to increase the compressor starting torque

Compressor Timed-Off Control

- Prevents compressor short-cycling
- Allows time for suction and discharge pressure to equalize
- Permits compressor start-up in an unloaded condition
- Automatic reset
- Five minute delay between compressor shut-off and start-up

Low Ambient Kit (40°F)

- Cycles the outdoor fan while allowing compressor operation in the cooling cycle
- This intermittent fan operation allows the system to operate without icing the evaporator coil and losing capacity
- Designed for use in ambient temperatures no lower than 40°F

NOTE - A crankcase heater must be installed on the compressor.

SUPPLY AIR BLOWER

Direct Drive Blower

- Blower wheel statically and dynamically balanced
- Multi-speed operation is achieved by the use of an ECM (Electronically Commutated Motor) variable speed motor
- Blower assembly easily removed for servicing

ECM Variable Speed Blower Motor

- Variable speed motor maintains specified air volume from 0 through 0.80 in. w.g. static range
- Motor is controlled by the blower control
- Change in blower speed is easily accomplished by simple jumper pin change on blower control
- Motor is resiliently mounted

INDOOR AIR QUALITY (Option)

Healthy Climate® PCO Accessory

- The Healthy Climate® PCO Accessory uses photocatalytic oxidation (PCO) technology to significantly reduce levels of airborne volatile organic compounds, cooking odors and common household odors
- Lennox' Healthy Climate® PCO Accessory is mounted internally to the unit cabinet for superior indoor air quality
- Kit contains PCO cartridge, UVA lamp, UVA lamp holder assembly, ballast box, wiring harness and all necessary hardware

NOTE - The Healthy Climate® PCO Accessory cannot be used with the Internal Filter Rack Kit. High efficiency filtration external to the return air inlet and the PCO accessory in the unit is required and must be field supplied.

Internal Filter Rack Kits

- Available for 1 in. thick filters. Kit contains filter rails for mounting filters internal to unit
- Filters are not furnished and must be field provided

NOTE - The Internal Filter Rack Kit cannot be used with the Healthy Climate® PCO Accessory.

NOTE - Maximum acceptable filter efficiency is MERV 11.

ELECTRIC HEAT (Option)

- Field install internal to unit cabinet
- 5 - 20 kW sizes
- Helix wound nichrome heating elements exposed directly in air stream resulting in instant heat transfer, low element temperatures and long service life
- Cutoff limit control provides positive protection in case of excessive temperatures.
- Factory assembled with controls installed and wired.

Optional Accessories

Single Point Power Supply Kits

- Control Box used with optional electric heat
- For single power supply connected to multi-circuit electric heat

NOTE - Side power entry only.

FEATURES

CONTROLS

Electronic Blower Control

- **Two Stages** - HEAT and COOL (with four different air volume selections for each) are made by simple jumper pins
- ADJUST jumper pin allows approximately 10% higher, normal or 10% lower motor speed selection within (COOL) speeds selected for fine tuning air volume
- See Blower Data tables

NOTE - HEAT speeds are not affected by jumper change.

- **Cooling Airflow Ramp Up** - At the beginning of a call for cooling, the blower will run at 82% of full airflow for 7.5 minutes
- Improves the system's moisture removal and saves blower power during cooling start
- **Reduced Airflow Operation** - For situations where humidity control is an issue, the variable speed motor can be connected to operate at a 25% reduction of the normal airflow rate
- Variable speed motor interface provides for connection of a thermostat with humidity control or a humidistat on the HUM terminal

NOTE - When connected, the dehumidifier resistor on the interface must be cut.

- The control should be wired to open during high humidity, which will reduce blower airflow

Defrost Control

- Defrost control furnished as standard equipment
- Gives a defrost cycle for every 30, 60 or 90 minutes (adjustable) of compressor "on" time at outdoor coil temperatures below freezing
- Units are quiet-shift enabled. The compressor is de-energized entering and exiting the defrost cycle, reducing system sounds
- Sensor mounted on liquid line determines when defrost cycle is required and also when to terminate cycle
- Anti-short cycle, timed-off control incorporated into the board

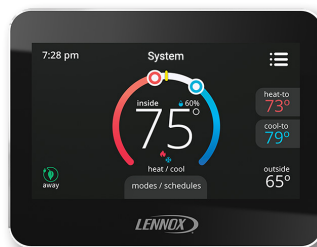
24 Volt Transformer

- 40VA transformer furnished and factory installed in control area

Optional Accessories

iComfort® M30 Smart Wi-Fi Thermostat

- Wi-Fi-enabled, electronic 7-day, universal, multi-stage, programmable, touchscreen thermostat
- 4 Heat/2 Cool
- Auto-changeover
- Dual-fuel control with optional outdoor sensor
- Controls dehumidification during cooling mode and humidification during heating mode



- Offers enhanced capabilities including humidification / dehumidification / dewpoint measurement and control, Humiditrol® control, and equipment maintenance reminders
- Easy to read 4.3 in. color touchscreen (measured diagonally)
- LCD display with backlight shows the current and set temperature, time, inside relative humidity, system status (operating mode and schedules) and outside temperature (optional outdoor sensor required)
- Smooth Setback Recovery starts system early to achieve setpoint at start of program period
- Compressor short-cycle protection (5 minutes)
- Up to four separate schedules are available plus Schedule IQ™
- One-Touch Away Mode - A quick and easy way to set the cooling and heating setpoints while away
- Smart Away™ - Uses geo-fencing technology to determine when the homeowner is within a predetermined distance from the home to operate the system when leaving, away and arriving
- Wi-Fi remote monitoring and adjustment through a home wireless network for desktop PCs, laptops and apps for smartphones or tablets
- Smart home automation compatible with Amazon Alexa®, Google Assistant and IFTTT
- Service Dashboard features online real-time monitoring of installed iComfort® thermostats

NOTE - See the iComfort® M30 Smart Wi-Fi Thermostat Product Specifications bulletin in the Controls section for more information.

Remote Outdoor Temperature Sensor

- Used with the iComfort® M30 Smart Wi-Fi Thermostat
- Outdoor sensor allows thermostat to display outdoor temperature



NOTE - Remote Outdoor Temperature Sensor is recommended for heat pump balance point control to lock out some of the electric heating elements where two-stage control is applicable.

Thermostat

- Thermostat is not furnished with unit
- Lennox Price Book for selection

FEATURES

CABINET

- Conditioned areas insulated with foil faced insulation
- Minimizes heat loss and reduce operating sound levels
- Powder paint for maximum durability
- Easy service access
- Steel louvered panels provides complete coil protection
- Full perimeter heavy-gauge galvanized steel base rail
- Base rails have rigging holes
- Two sides of the base rail have forklift slots
- Raised edges around duct and power entry openings in the bottom of the unit for water protection

Airflow Choice

- Units are shipped with all air openings sealed
 - For downflow (vertical) applications, remove the downflow duct covers
 - For horizontal applications, remove the horizontal duct covers

Electrical Inlets and Service Valves

- Standard field wiring electrical inlets are located in one central area of the cabinet
- See dimension drawing
- Gauge ports are located inside the cabinet

Optional Accessories

Base Rail Opening Closure Kit

- Kit consists of panels and hardware to cover base rail rigging holes and forklift slot openings

Bottom Gas Entry Kit

- Allows gas piping through the unit base pan

Bottom Power Entry Kit

- Allows field wiring through the unit base pan

Rectangular to Round Duct Adaptor Kits

- Downflow or horizontal kits available
- Converts rectangular supply and return air openings on unit cabinet to round diameter
- Several sizes available

Clip Curb (Full Perimeter)

- Interlocking tabs fasten corners together
- No tools required
- Fully gasketed around curb perimeter and supply and return openings
- Available in 8, 14, 18 and 24 inch heights
- Shipped knocked down

Adjustable Pitch Roof Curb (Full Perimeter)

- Fully adjustable pitch curb provides a level platform for packaged units
- Allows flexible installations on roofs with sloped or uneven angles
- Adjustable from 2/12 to 6/12 pitch
- Fully gasketed around curb perimeter and supply and return openings
- Clip Curb (knock-down) and Welded models available

All Curbs

- IBC 2018 compliant
- CBC 2019 compliant
- Seismic rating - SDS 2.0g, z/h=1, Ip=1.5
- Wind rating - 240 mph (Lateral), 214 mph (Uplift)
- Maximum load rating - 800 lbs.

Adaptor Curbs (not shown)

- Curbs are regionally sourced
- Dimensions vary based upon the source

NOTE - Contact your local sales representative for a detailed cut sheet with applicable dimensions.

Strapping Kit - Hurricane

- Galvanized steel .07 in. thick minimum
- Attaches unit base rails to host structure
- Separate kits available for Slab Mount or Rail Mount

Strapping Kit - Seismic

- Heavy-gauge galvanized steel
- Kit contains 4 brackets and mounting hardware

SPECIFICATIONS

General Data			Model No.	LRP16HP24	LRP16HP36	LRP16HP48	LRP16HP60
			Nominal Tonnage	2	3	4	5
Cooling / Heating Performance	Cooling	Total capacity - Btuh		23,000	35,000	47,000	57,000
		Total unit watts		1910	2910	3910	4950
		¹ SEER (Btuh/Watt)		16.0	16.0	16.0	15.5
		EER (Btuh/Watt)		12.0	12.0	12.0	11.5
	High Temp. Heat	Total capacity - Btuh		22,000	34,000	46,000	56,000
		Total unit watts		1791	2770	3740	4440
		COP		3.60	3.60	3.60	3.70
		HSPF (Region IV)		8.20	8.20	8.20	8.20
	Low Temp. Heat	Total capacity - Btuh		11,900	19,700	26,600	37,200
		Total unit watts		1480	2530	3500	4250
COP			2.36	2.28	2.23	2.57	
² Sound Rating Number (dBA)			71	71	74	74	
Refrigerant	Type		R-410A	R-410A	R-410A	R-410A	
	Charge		5 lbs. 5 oz.	8 lbs. 0 oz.	10 lbs. 8 oz.	10 lbs. 8 oz.	
Condensate drain size (fpt) - in.				3/4	3/4	3/4	3/4
Outdoor Coil	Net Face Area - sq. ft.			16.3	15.5	18.6	18.6
	Tube diameter - in.			5/16	5/16	5/16	5/16
	Number of Rows			1	2	2	2
	Fins per in.			22	22	22	22
Outdoor Coil Fan	Motor horsepower			1/2	1/2	1/2	1/2
	Diameter - in.			22	22	24	24
	Number of blades			3	3	3	3
Indoor Coil	Net Face Area - sq. ft.			4.4	4.4	6.8	6.8
	Tube Diameter - in.			5/16	3/8	3/8	3/8
	Number of Rows			3	3	3	3
	Fins per Inch			15	15	15	15
Indoor Blower	Blower wheel size dia. x width - in.			10 x 6	10 x 8	10 x 10	12 x 9
	Motor horsepower			1/2	1/2	3/4	1
Net weight of basic unit - lbs.				425	460	540	555
Shipping weight of basic unit (1 Pkg.) - lbs.				430	465	545	560
Electrical characteristics (60 hz)				208/230V-1ph-60hz			

ELECTRICAL DATA

Line voltage data - 60 Hz 1 phase		208/230V	208/230V	208/230V	208/230V
³ Maximum overcurrent protection (MOCP) amps		25	40	50	60
⁴ Minimum Circuit Ampacity (MCA)		18	25.6	33.8	42.3
Compressor	Rated load amps	11.7	16.1	21.2	27.1
	Locked rotor amps	58.3	83	104	152.9
Outdoor Coil Fan Motor	Full load amps	1.2	1.4	2.3	2.4
Indoor Blower Motor	Full load amps	1.7	3.6	4.5	5.5

¹ AHRI Certified to AHRI Standard 210/240:

Cooling Ratings - 95°F outdoor air temperature and 80°F db/67°F wb entering indoor coil air.

High Temperature Heating Ratings - 47°F db/43°F wb outdoor air temperature and 70°F entering indoor coil air.

Low Temperature Heating Ratings - 17°F db/15°F wb outdoor air temperature and 70°F entering indoor coil air.

² Sound Rating Number rated in accordance with test conditions included in AHRI Standard 270.

³ HACR type circuit breaker or fuse.

⁴ Refer to National or Canadian Electrical Code manual to determine wire, fuse and disconnect size requirements.

OPTIONAL ACCESSORIES - ORDER SEPARATELY

Item	Catalog No.	Unit Model No.				
		24	36	48	60	
CONTROLS						
iComfort® M30 Smart Wi-Fi Thermostat	15Z69	•	•	•	•	
¹ Remote Outdoor Temperature Sensor	X2658	•	•	•	•	
COOLING SYSTEM						
Compressor Crankcase Heater	11X27	•	•	•	•	
Compressor Hard Start Kit	10J42	•	•			
	12J90			•	•	
Compressor Timed-Off Control	47J27	•	•	•	•	
Low Ambient Kit (40°F)	21D20	•	•	•	•	
CABINET						
Base Rail Opening Closure Kit	21J84	•	•	•	•	
Rectangular to Round Duct Adaptor Kits	Downflow - 14 in. dia.	20X82	•	•		
		21D26			•	
	Horizontal - 14 in. dia.	21J92	•	•		
		21D24			•	•
		22U78			•	•
		22U79			•	•
ELECTRICAL						
Bottom Power Entry Kit	21J78	•	•	•	•	
ELECTRIC HEAT						
Electric Heat Size - 208/240V-1ph	5 kW	10W47	•	•	•	
	7.5 kW	10W48	•	•	•	
	10 kW	10W49	•	•	•	
	15 kW	10W50		•	•	
	20 kW	10W51			•	
SINGLE POINT POWER SUPPLY KITS (FOR ELECTRIC HEAT) - SIDE POWER ENTRY ONLY						
Single Point Power Kits	For 5 kW Electric Heat	13W88	•	•	•	
	For 7.5 kW Electric Heat	13W89	•	•	•	
	For 10 kW Electric Heat	13W90	•	•	•	
	For 15-20 kW Electric Heat	13W91		•	•	
INDOOR AIR QUALITY						
² Healthy Climate® PCO Accessory	Y7960	•	•	•	•	
Healthy Climate® PCO Accessory Maintenance Kit (Includes PureAir™ Cartridge and UVA lamp)	Y7972	•	•	•	•	
³ Internal Filter Rack Kit (filters not furnished)	(1) 20 x 20 + (1) 14 x 20	11U73	•	•		
	(2) 20 x 20	11U74			•	
ROOF CURBS						
Clip Curbs						
	8 in. height	21J13	•	•		
		21J17			•	
	14 in. height	21J14	•	•		
		21J19			•	•
	18 in. height	21J15	•	•		
		21J20			•	•
24 in. height	21J16	•	•			
	21J25			•	•	
Adjustable Pitch Roof Curbs						
Welded Curbs		22V54	•	•		
		22V55			•	
Clip Curbs		21J26	•	•		
		21U04			•	
Strapping Kits for Roof Curbs						
Strapping Kit - Hurricane (Slab Mount)		21J74	•	•	•	
Strapping Kit - Hurricane (Rail Mount)		22C53	•	•	•	
Strapping Kit - Seismic		21J75	•	•	•	

¹ Allows the thermostat to display outdoor temperature.

² Filter Rack Kit cannot be used with the Healthy Climate® PCO Accessory. High efficiency filtration between the return air inlet and the PCO accessory is required and must be field supplied.

³ Filters are not furnished and must be field provided.

ELECTRIC HEAT DATA

	Model No.	LRP16HP24		LRP16HP36		LRP16HP48		LRP16HP60		
		208V	240V	208V	240V	208V	240V	208V	240V	
¹ Maximum Overcurrent Protection (MOCP)	5 kW	Circuit 1	25	30	30	35	30	35	35	35
	7.5 kW	Circuit 1	40	45	40	45	40	45	45	50
	10 kW	Circuit 1	50	60	50	60	60	60	60	60
	15 kW	Circuit 1	---	---	50	60	60	60	60	60
		Circuit 2	---	---	25	30	25	30	25	30
	20 kW	Circuit 1	---	---	---	---	60	60	60	60
Circuit 2		---	---	---	---	50	60	50	60	
¹ Maximum Overcurrent Protection (MOCP) with Optional Single Point Power Supply	5 kW		45	50	50	60	70	70	80	90
	7.5 kW		60	60	60	70	80	80	90	100
	10 kW		70	80	80	80	90	90	100	110
	15 kW		---	---	100	110	110	125	110	125
	20 kW		---	---	---	---	125	150	150	150
² Minimum Circuit Ampacity (MCA)	5 kW	Circuit 1	24.7	28.2	27.1	30.5	28.2	31.7	29.5	32.9
	7.5 kW	Circuit 1	36.0	41.2	38.3	43.6	39.5	44.7	40.7	45.9
	10 kW	Circuit 1	47.3	54.2	49.6	56.6	50.8	57.7	52.0	59.0
	15 kW	Circuit 1	---	---	49.6	56.6	50.8	57.7	52.0	59.0
		Circuit 2	---	---	22.6	26.0	22.6	26	22.6	26.0
	20 kW	Circuit 1	---	---	---	---	50.8	57.7	52.0	59.0
Circuit 2		---	---	---	---	45.1	52.1	45.1	52.1	
² Minimum Circuit Ampacity (MCA) with Optional Single Point Power Supply	5 kW		40.6	44.0	48.2	51.6	56.4	59.8	64.9	68.3
	7.5 kW		51.8	57.1	59.4	64.7	67.6	72.8	76.1	81.3
	10 kW		63.1	70.1	70.7	77.7	78.9	85.9	87.4	94.3
	15 kW		---	---	93.3	103.7	101.5	111.9	110.0	120.4
	20 kW		---	---	---	---	124.1	137.9	132.5	146.4

NOTE - All units have a minimum Short Circuit Current Rating (SCCR) of 5000 amps.

NOTE - Circuit 1 Minimum Circuit Ampacity includes the Blower Motor Full Load Amps.

NOTE - Extremes of operating range are plus and minus 10% of line voltage.

¹ HACR type breaker or fuse.

² Refer to National or Canadian Electrical Code manual to determine wire, fuse and disconnect size requirements.

ELECTRIC HEAT CAPACITIES

Input Voltage	5 kW			7.5 kW			10 kW			15 kW			20 kW		
	No of Steps	kW Input	KBtuh Output	No of Steps	kW Input	KBtuh Output	No of Steps	kW Input	KBtuh Output	No of Steps	kW Input	KBtuh Output	No of Steps	kW Input	KBtuh Output
208	1	3.8	12.8	1	5.6	19.2	1	7.5	25.6	1	11.2	38.2	1	15	51.2
220	1	4.2	14.3	1	6.3	21.5	1	8.4	28.7	1	12.6	43	1	16.8	57.3
230	1	4.6	15.7	1	6.9	23.5	1	9.2	31.3	1	13.8	47	1	18.4	62.7
240	1	5	17.1	1	7.5	25.6	1	10	34.1	1	15	51.2	1	20	68.2

BLOWER DATA

LRP16HP24 Blower Performance

0 through 0.80 in. w.g. External Static Pressure Range

"ADJUST" Jumper Setting	Blower Control Jumper Speed Positions											
	"COOL" Speed - cfm				"HEAT" Speed - cfm				"CONTINUOUS FAN" Speed - cfm			
	A	¹ B	C	D	A	¹ B	C	D	A	B	C	D
+	1100	880	660	440	1150	1035	690	690	550	440	330	220
NORM	1000	800	600	400	1000	900	600	600	500	400	300	200
—	900	720	540	360	1000	900	600	600	450	360	270	180

LRP16HP36 Blower Performance

0 through 0.80 in. w.g. External Static Pressure Range

"ADJUST" Jumper Setting	Blower Control Jumper Speed Positions											
	"COOL" Speed - cfm				"HEAT" Speed - cfm				"CONTINUOUS FAN" Speed - cfm			
	A	¹ B	C	D	A	¹ B	C	D	A	B	C	D
+	1430	1320	1100	880	1495	1380	1150	1150	715	660	550	440
NORM	1300	1200	1000	800	1300	1250	1000	1000	650	600	500	400
—	1170	1080	900	720	1300	1200	1000	1000	585	540	450	360

LRP16HP48 Blower Performance

0 through 0.80 in. w.g. External Static Pressure Range

"ADJUST" Jumper Setting	Blower Control Jumper Speed Positions											
	"COOL" Speed - cfm				"HEAT" Speed - cfm				"CONTINUOUS FAN" Speed - cfm			
	A	¹ B	C	D	A	¹ B	C	D	A	B	C	D
+	1980	1760	1540	1320	2070	1840	1610	1610	990	880	770	660
NORM	1800	1600	1400	1200	1800	1600	1400	1400	900	800	700	600
—	1620	1440	1260	1080	1800	1600	1400	1400	810	720	630	540

LRP16HP60 Blower Performance

0 through 0.80 in. w.g. External Static Pressure Range

"ADJUST" Jumper Setting	Blower Control Jumper Speed Positions											
	"COOL" Speed - cfm				"HEAT" Speed - cfm				"CONTINUOUS FAN" Speed - cfm			
	A	¹ B	C	D	A	¹ B	C	D	A	B	C	D
+	2200	1980	1760	1540	2300	2070	1840	1840	1100	990	880	770
NORM	2000	1800	1600	1400	2000	1800	1600	1600	1000	900	800	700
—	1800	1620	1440	1260	2000	1800	1600	1600	900	810	720	630

¹ Factory Settings.

NOTE - All air data is measured external to unit without air filters.

NOTE - 1st Stage airflow is 70% of 2nd Stage airflow (full capacity) in cooling mode.

ACCESSORY AIR RESISTANCE DATA - in. w.g.

Air Volume cfm	Rectangular to Round Duct Adaptor Kits					
	Downflow			Horizontal		
	14 in. Diameter		14 in. Diameter		16 in. Diameter	18 in. Diameter
	24, 36	48, 60	24, 36	48, 60	48, 60	48, 60
500	0.03	---	0.04	---	---	---
600	0.05	---	0.07	---	---	---
700	0.08	0.13	0.08	0.13	---	---
800	0.10	0.17	0.12	0.16	---	---
900	0.12	0.21	0.15	0.21	---	---
1000	0.17	0.24	0.19	0.25	0.11	0.03
1100	0.18	0.30	0.23	0.30	0.11	0.03
1200	0.20	0.36	0.29	0.37	0.13	0.03
1300	0.26	0.43	0.31	0.43	0.17	0.03
1400	0.31	0.50	0.39	0.51	0.20	0.03
1500	---	0.57	---	0.57	0.21	0.05
1600	---	0.63	---	0.65	0.26	0.05
1700	---	0.71	---	0.72	0.30	0.06
1800	---	0.80	---	0.81	0.30	0.06
1900	---	0.91	---	0.90	0.40	0.06
2000	---	0.99	---	1.01	0.41	0.06

COOLING RATINGS

2 TON - LRP16HP24 (1ST STAGE)

Entering Wet Bulb Temperature	Total Air Volume	Outdoor Air Temperature Entering Outdoor Coil																			
		65°F					75°F					85°F					95°F				
		Total Cool Cap.	Comp. Motor Input	Sensible To Total Ratio (S/T)			Total Cool Cap.	Comp. Motor Input	Sensible To Total Ratio (S/T)			Total Cool Cap.	Comp. Motor Input	Sensible To Total Ratio (S/T)			Total Cool Cap.	Comp. Motor Input	Sensible To Total Ratio (S/T)		
				Dry Bulb					Dry Bulb					Dry Bulb					Dry Bulb		
cfm	kBtuh	kW	75°F	80°F	85°F	kBtuh	kW	75°F	80°F	85°F	kBtuh	kW	75°F	80°F	85°F	kBtuh	kW	75°F	80°F	85°F	
63°F	500	20.1	.81	0.72	0.86	1.00	19.0	.93	0.74	0.88	1.00	17.9	1.08	0.75	0.91	1.00	16.7	1.23	0.78	0.94	1.00
	560	20.5	.81	0.74	0.89	1.00	19.4	.93	0.76	0.92	1.00	18.2	1.07	0.78	0.95	1.00	17.1	1.23	0.80	0.98	1.00
	610	20.9	.80	0.76	0.93	1.00	19.7	.93	0.79	0.96	1.00	18.6	1.07	0.81	0.99	1.00	17.5	1.23	0.83	1.00	1.00
67°F	500	21.5	.80	0.57	0.69	0.82	20.3	.92	0.58	0.71	0.85	19.1	1.06	0.59	0.73	0.88	17.9	1.22	0.60	0.75	0.91
	560	21.9	.79	0.58	0.72	0.86	20.7	.92	0.59	0.74	0.88	19.4	1.06	0.60	0.76	0.91	18.2	1.22	0.62	0.78	0.95
	610	22.3	.79	0.59	0.75	0.90	21.1	.91	0.61	0.77	0.93	19.7	1.06	0.62	0.79	0.97	18.5	1.22	0.64	0.82	1.00
71°F	500	23.0	.78	0.43	0.55	0.67	21.8	.90	0.43	0.56	0.68	20.5	1.05	0.43	0.57	0.70	19.2	1.21	0.44	0.58	0.73
	560	23.4	.78	0.43	0.56	0.69	22.2	.90	0.43	0.57	0.71	20.8	1.04	0.44	0.59	0.73	19.5	1.21	0.44	0.60	0.76
	610	23.9	.78	0.43	0.58	0.72	22.5	.90	0.44	0.59	0.74	21.1	1.04	0.45	0.61	0.77	19.8	1.20	0.45	0.62	0.80

2 TON - LRP16HP24 (2ND STAGE)

Entering Wet Bulb Temperature	Total Air Volume	Outdoor Air Temperature Entering Outdoor Coil																			
		85°F					95°F					105°F					115°F				
		Total Cool Cap.	Comp. Motor Input	Sensible To Total Ratio (S/T)			Total Cool Cap.	Comp. Motor Input	Sensible To Total Ratio (S/T)			Total Cool Cap.	Comp. Motor Input	Sensible To Total Ratio (S/T)			Total Cool Cap.	Comp. Motor Input	Sensible To Total Ratio (S/T)		
				Dry Bulb					Dry Bulb					Dry Bulb					Dry Bulb		
cfm	kBtuh	kW	75°F	80°F	85°F	kBtuh	kW	75°F	80°F	85°F	kBtuh	kW	75°F	80°F	85°F	kBtuh	kW	75°F	80°F	85°F	
63°F	600	23.8	1.45	0.72	0.86	1.00	22.6	1.61	0.74	0.89	1.00	21.3	1.80	0.75	0.92	1.00	19.9	2.02	0.78	0.95	1.00
	800	25.2	1.46	0.79	0.97	1.00	23.9	1.62	0.82	1.00	1.00	22.6	1.81	0.84	1.00	1.00	21.4	2.03	0.86	1.00	1.00
	1000	26.6	1.47	0.86	1.00	1.00	25.3	1.63	0.88	1.00	1.00	24.0	1.82	0.90	1.00	1.00	22.6	2.03	0.93	1.00	1.00
67°F	600	25.5	1.46	0.56	0.70	0.83	24.1	1.62	0.58	0.72	0.85	22.7	1.81	0.59	0.73	0.88	21.3	2.03	0.60	0.76	0.91
	800	26.8	1.47	0.61	0.78	0.94	25.3	1.63	0.63	0.80	0.97	23.8	1.81	0.64	0.83	1.00	22.3	2.03	0.66	0.86	1.00
	1000	27.6	1.47	0.66	1.00	1.00	26.1	1.63	0.68	0.89	1.00	24.5	1.82	0.70	0.93	1.00	22.9	2.04	0.72	0.97	1.00
71°F	600	27.3	1.47	0.43	0.55	0.67	25.8	1.63	0.43	0.56	0.69	24.4	1.82	0.43	0.57	0.71	22.8	2.04	0.43	0.59	0.73
	800	28.6	1.48	0.44	0.60	0.76	27.0	1.64	0.44	0.61	0.78	25.4	1.83	0.45	0.63	0.81	23.7	2.04	0.46	0.65	0.84
	1000	29.3	1.49	0.46	0.65	0.85	27.7	1.64	0.47	0.67	0.88	26.0	1.83	0.48	0.70	0.91	24.2	2.04	0.49	0.71	0.93

3 TON - LRP16HP36 (1ST STAGE)

Entering Wet Bulb Temperature	Total Air Volume	Outdoor Air Temperature Entering Outdoor Coil																			
		65°F					75°F					85°F					95°F				
		Total Cool Cap.	Comp. Motor Input	Sensible To Total Ratio (S/T)			Total Cool Cap.	Comp. Motor Input	Sensible To Total Ratio (S/T)			Total Cool Cap.	Comp. Motor Input	Sensible To Total Ratio (S/T)			Total Cool Cap.	Comp. Motor Input	Sensible To Total Ratio (S/T)		
				Dry Bulb					Dry Bulb					Dry Bulb					Dry Bulb		
cfm	kBtuh	kW	75°F	80°F	85°F	kBtuh	kW	75°F	80°F	85°F	kBtuh	kW	75°F	80°F	85°F	kBtuh	kW	75°F	80°F	85°F	
63°F	760	28.4	1.16	0.74	0.89	1.00	26.9	1.32	0.76	0.92	1.00	25.3	1.52	0.78	0.95	1.00	23.8	1.75	0.80	0.98	1.00
	840	29.0	1.16	0.76	0.93	1.00	27.4	1.32	0.79	0.95	1.00	25.9	1.52	0.81	0.99	1.00	24.4	1.74	0.83	1.00	1.00
	920	29.4	1.16	0.79	0.97	1.00	27.9	1.32	0.81	1.00	1.00	26.4	1.52	0.83	1.00	1.00	25.1	1.74	0.85	1.00	1.00
67°F	760	30.4	1.15	0.58	0.72	0.85	28.8	1.31	0.59	0.73	0.88	27.1	1.52	0.60	0.75	0.91	25.5	1.74	0.61	0.78	0.95
	840	31.0	1.15	0.59	0.74	0.89	29.2	1.31	0.60	0.76	0.92	27.5	1.51	0.62	0.79	0.96	25.9	1.74	0.63	0.81	1.00
	920	31.4	1.15	0.61	0.77	0.93	29.7	1.31	0.62	0.79	0.97	28.0	1.51	0.64	0.82	1.00	26.3	1.74	0.65	0.85	1.00
71°F	760	32.6	1.14	0.43	0.56	0.69	30.9	1.30	0.43	0.57	0.71	29.1	1.51	0.44	0.58	0.73	27.4	1.73	0.44	0.60	0.75
	840	33.2	1.13	0.44	0.58	0.72	31.4	1.30	0.44	0.59	0.74	29.5	1.50	0.45	0.60	0.76	27.8	1.73	0.45	0.62	0.79
	920	33.6	1.13	0.44	0.59	0.75	31.8	1.30	0.45	0.61	0.77	29.9	1.50	0.45	0.62	0.80	28.1	1.73	0.46	0.64	0.83

3 TON - LRP16HP36 (2ND STAGE)

Entering Wet Bulb Temperature	Total Air Volume	Outdoor Air Temperature Entering Outdoor Coil																			
		85°F					95°F					105°F					115°F				
		Total Cool Cap.	Comp. Motor Input	Sensible To Total Ratio (S/T)			Total Cool Cap.	Comp. Motor Input	Sensible To Total Ratio (S/T)			Total Cool Cap.	Comp. Motor Input	Sensible To Total Ratio (S/T)			Total Cool Cap.	Comp. Motor Input	Sensible To Total Ratio (S/T)		
				Dry Bulb					Dry Bulb					Dry Bulb					Dry Bulb		
cfm	kBtuh	kW	75°F	80°F	85°F	kBtuh	kW	75°F	80°F	85°F	kBtuh	kW	75°F	80°F	85°F	kBtuh	kW	75°F	80°F	85°F	
63°F	1000	35.6	2.18	0.75	0.91	1.00	33.7	2.43	0.77	0.94	1.00	31.7	2.72	0.80	0.97	1.00	29.9	3.05	0.82	1.00	1.00
	1200	36.7	2.19	0.81	0.97	1.00	34.8	2.44	0.83	1.00	1.00	32.9	2.73	0.85	0.97	1.00	31.3	3.07	0.87	1.00	1.00
	1400	37.9	2.21	0.85	1.00	1.00	36.2	2.46	0.87	1.00	1.00	34.4	2.75	0.89	1.00	1.00	32.5	3.08	0.92	1.00	1.00
67°F	1000	37.9	2.21	0.59	0.73	0.88	35.9	2.46	0.60	0.75	0.91	33.8	2.75	0.61	0.77	0.94	31.6	3.07	0.63	0.80	0.98
	1200	39.0	2.22	0.62	0.79	0.96	36.9	2.47	0.63	0.81	0.98	34.6	2.76	0.65	0.84	1.00	32.4	3.08	0.67	0.87	1.00
	1400	39.8	2.23	0.65	0.85	1.00	37.6	2.48	0.67	0.88	1.00	35.3	2.76	0.69	0.91	1.00	33.0	3.09	0.71	0.95	1.00
71°F	1000	40.5	2.24	0.43	0.57	0.71	38.3	2.49	0.44	0.58	0.73	36.1	2.77	0.44	0.60	0.75	33.9	3.10	0.45	0.61	0.78
	1200	41.5	2.25	0.45	0.61	0.77	39.3	2.50	0.45	0.62	0.79	36.9	2.78	0.46	0.64	0.82	34.6	3.11	0.47	0.66	0.85
	1400	42.3	2.26	0.46	0.65	0.83	39.9	2.51	0.47	0.66	0.86	37.5	2.79	0.48	0.69	0.89	35.1	3.11	0.49	0.71	0.90

COOLING RATINGS

4 TON - LRP16HP48 (1ST STAGE)

Entering Wet Bulb Temperature	Total Air Volume	Outdoor Air Temperature Entering Outdoor Coil																			
		65°F					75°F					85°F					95°F				
		Total Cool Cap.	Comp. Motor Input	Sensible To Total Ratio (S/T)			Total Cool Cap.	Comp. Motor Input	Sensible To Total Ratio (S/T)			Total Cool Cap.	Comp. Motor Input	Sensible To Total Ratio (S/T)			Total Cool Cap.	Comp. Motor Input	Sensible To Total Ratio (S/T)		
				Dry Bulb					Dry Bulb					Dry Bulb					Dry Bulb		
cfm	kBtuh	kW	75°F	80°F	85°F	kBtuh	kW	75°F	80°F	85°F	kBtuh	kW	75°F	80°F	85°F	kBtuh	kW	75°F	80°F	85°F	
63°F	1010	38.3	1.45	0.74	0.88	1.00	36.1	1.70	0.75	0.91	1.00	33.8	1.98	0.78	0.94	1.00	31.5	2.27	0.80	0.98	1.00
	1120	39.1	1.45	0.76	0.92	1.00	36.8	1.69	0.78	0.95	1.00	34.4	1.97	0.81	0.99	1.00	32.3	2.27	0.83	1.00	1.00
	1230	39.8	1.44	0.79	0.96	1.00	37.4	1.69	0.81	0.99	1.00	35.2	1.97	0.83	1.00	1.00	33.2	2.26	0.85	1.00	1.00
67°F	1010	41.0	1.43	0.58	0.71	0.85	38.6	1.68	0.58	0.73	0.88	36.2	1.96	0.60	0.75	0.91	33.8	2.26	0.61	0.78	0.94
	1120	41.8	1.42	0.59	0.74	0.89	39.3	1.67	0.60	0.76	0.92	36.7	1.95	0.62	0.79	0.96	34.3	2.25	0.63	0.82	1.00
	1230	42.4	1.42	0.61	0.77	0.93	39.8	1.67	0.62	0.79	0.96	37.3	1.95	0.64	0.82	1.00	34.8	2.25	0.66	0.85	1.00
71°F	1010	43.7	1.41	0.43	0.56	0.69	41.2	1.66	0.43	0.57	0.71	38.7	1.94	0.44	0.58	0.73	36.2	2.24	0.44	0.60	0.75
	1120	44.5	1.40	0.43	0.58	0.72	41.9	1.65	0.44	0.59	0.74	39.3	1.93	0.44	0.60	0.76	36.8	2.23	0.45	0.62	0.79
	1230	45.2	1.40	0.44	0.59	0.75	42.5	1.65	0.45	0.61	0.77	39.9	1.93	0.45	0.63	0.80	37.3	2.23	0.46	0.64	0.83

4 TON - LRP16HP48 (2ND STAGE)

Entering Wet Bulb Temperature	Total Air Volume	Outdoor Air Temperature Entering Outdoor Coil																			
		85°F					95°F					105°F					115°F				
		Total Cool Cap.	Comp. Motor Input	Sensible To Total Ratio (S/T)			Total Cool Cap.	Comp. Motor Input	Sensible To Total Ratio (S/T)			Total Cool Cap.	Comp. Motor Input	Sensible To Total Ratio (S/T)			Total Cool Cap.	Comp. Motor Input	Sensible To Total Ratio (S/T)		
				Dry Bulb					Dry Bulb					Dry Bulb					Dry Bulb		
cfm	kBtuh	kW	75°F	80°F	85°F	kBtuh	kW	75°F	80°F	85°F	kBtuh	kW	75°F	80°F	85°F	kBtuh	kW	75°F	80°F	85°F	
63°F	1400	47.8	2.80	0.77	0.93	1.00	45.2	3.13	0.79	0.96	1.00	42.5	3.52	0.81	0.97	1.00	39.9	3.96	0.84	1.00	1.00
	1600	48.9	2.81	0.81	0.97	1.00	46.3	3.14	0.83	0.99	1.00	44.0	3.53	0.85	1.00	1.00	41.6	3.98	0.87	1.00	1.00
	1800	50.0	2.82	0.84	1.00	1.00	47.8	3.16	0.86	1.00	1.00	45.3	3.55	0.88	1.00	1.00	42.8	4.00	0.88	1.00	1.00
67°F	1400	50.9	2.83	0.59	0.74	0.90	48.2	3.16	0.61	0.77	0.93	45.5	3.55	0.62	0.79	0.94	42.5	4.00	0.63	0.82	0.98
	1600	52.2	2.84	0.62	0.79	0.94	49.2	3.17	0.63	0.81	0.97	46.0	3.56	0.65	0.84	1.00	43.3	4.01	0.67	0.87	1.00
	1800	53.3	2.85	0.64	0.83	0.98	49.9	3.18	0.66	0.86	1.00	46.9	3.57	0.67	0.89	1.00	43.9	4.01	0.70	0.90	1.00
71°F	1400	54.2	2.85	0.44	0.58	0.73	51.3	3.19	0.44	0.59	0.75	48.2	3.58	0.45	0.61	0.77	45.3	4.03	0.45	0.63	0.80
	1600	55.4	2.86	0.49	0.61	0.77	52.2	3.20	0.45	0.62	0.80	49.2	3.59	0.46	0.64	0.83	46.2	4.05	0.46	0.66	0.86
	1800	56.1	2.87	0.46	0.64	0.82	53.0	3.21	0.46	0.65	0.83	49.9	3.60	0.47	0.67	0.84	46.7	4.05	0.47	0.70	0.88

5 TON - LRP16HP60 (1ST STAGE)

Entering Wet Bulb Temperature	Total Air Volume	Outdoor Air Temperature Entering Outdoor Coil																			
		65°F					75°F					85°F					95°F				
		Total Cool Cap.	Comp. Motor Input	Sensible To Total Ratio (S/T)			Total Cool Cap.	Comp. Motor Input	Sensible To Total Ratio (S/T)			Total Cool Cap.	Comp. Motor Input	Sensible To Total Ratio (S/T)			Total Cool Cap.	Comp. Motor Input	Sensible To Total Ratio (S/T)		
				Dry Bulb					Dry Bulb					Dry Bulb					Dry Bulb		
cfm	kBtuh	kW	75°F	80°F	85°F	kBtuh	kW	75°F	80°F	85°F	kBtuh	kW	75°F	80°F	85°F	kBtuh	kW	75°F	80°F	85°F	
63°F	1130	46.9	1.92	0.71	0.85	0.98	38.3	2.20	0.84	1.00	1.00	41.3	2.53	0.75	0.90	1.00	38.6	2.88	0.77	0.93	1.00
	1260	48.0	1.91	0.73	0.88	1.00	45.1	2.20	0.75	0.91	1.00	42.2	2.53	0.78	0.94	1.00	39.3	2.88	0.80	0.98	1.00
	1390	48.9	1.90	0.76	0.92	1.00	46.0	2.19	0.78	0.93	1.00	43.0	2.52	0.80	0.97	1.00	40.2	2.88	0.83	1.00	1.00
67°F	1130	50.1	1.89	0.56	0.69	0.81	47.3	2.18	0.57	0.70	0.84	44.3	2.51	0.58	0.72	0.86	41.4	2.87	0.59	0.75	0.90
	1260	51.2	1.89	0.57	0.71	0.85	48.2	2.18	0.58	0.73	0.88	45.2	2.51	0.60	0.75	0.91	42.1	2.87	0.61	0.78	0.94
	1390	52.1	1.88	0.59	0.74	0.88	49.0	2.17	0.60	0.76	0.92	45.9	2.51	0.62	0.78	0.94	42.8	2.86	0.63	0.81	0.97
71°F	1130	53.4	1.87	0.42	0.54	0.66	50.4	2.16	0.43	0.55	0.68	47.2	2.50	0.43	0.57	0.70	44.3	2.85	0.43	0.58	0.72
	1260	54.5	1.86	0.43	0.56	0.69	51.4	2.16	0.43	0.57	0.71	48.2	2.49	0.44	0.58	0.73	45.1	2.85	0.44	0.60	0.76
	1390	55.4	1.86	0.43	0.58	0.72	52.2	2.15	0.44	0.59	0.74	48.9	2.49	0.44	0.60	0.76	45.7	2.84	0.45	0.62	0.79

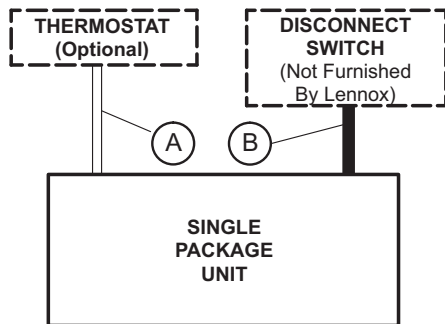
5 TON - LRP16HP60 (2ND STAGE)

Entering Wet Bulb Temperature	Total Air Volume	Outdoor Air Temperature Entering Outdoor Coil																			
		85°F					95°F					105°F					115°F				
		Total Cool Cap.	Comp. Motor Input	Sensible To Total Ratio (S/T)			Total Cool Cap.	Comp. Motor Input	Sensible To Total Ratio (S/T)			Total Cool Cap.	Comp. Motor Input	Sensible To Total Ratio (S/T)			Total Cool Cap.	Comp. Motor Input	Sensible To Total Ratio (S/T)		
				Dry Bulb					Dry Bulb					Dry Bulb					Dry Bulb		
cfm	kBtuh	kW	75°F	80°F	85°F	kBtuh	kW	75°F	80°F	85°F	kBtuh	kW	75°F	80°F	85°F	kBtuh	kW	75°F	80°F	85°F	
63°F	1600	57.3	3.63	0.75	0.89	1.00	54.2	4.03	0.77	0.91	1.00	51.1	4.49	0.79	0.94	1.00	48.0	5.00	0.82	0.97	1.00
	1800	58.4	3.64	0.78	0.93	1.00	55.3	4.04	0.80	0.96	1.00	52.3	4.49	0.83	0.99	1.00	49.0	5.02	0.82	1.00	1.00
	2000	59.5	3.66	0.80	0.97	1.00	56.4	4.06	0.82	0.99	1.00	53.3	4.52	0.84	1.00	1.00	50.6	5.04	0.85	1.00	1.00
67°F	1600	60.8	3.68	0.59	0.73	0.86	57.6	4.08	0.60	0.75	0.89	54.3	4.53	0.61	0.77	0.91	51.1	5.05	0.62	0.80	0.94
	1800	62.2	3.70	0.60	0.77	0.90	58.9	4.10	0.62	0.79	0.93	55.6	4.54	0.63	0.81	0.95	51.3	5.06	0.66	0.81	1.00
	2000	63.1	3.71	0.62	0.80	0.94	59.7	4.11	0.64	0.81	0.97	56.0	4.56	0.65	0.83	1.00	52.4	5.07	0.68	0.86	1.00
71°F	1600	64.7	3.73	0.43	0.57	0.71	61.3	4.13	0.44	0.58	0.73	57.7	4.59	0.44	0.60	0.76	54.3	5.10	0.44	0.61	0.78
	1800	65.9	3.75	0.44	0.59	0.75	62.3	4.15	0.44	0.61	0.77	58.5	4.60	0.45	0.62	0.80	55.0	5.12	0.46	0.64	0.78
	2000	66.7	3.76	0.45	0.62	0.79	63.0	4.16	0.45	0.63	0.79	59.4	4.62	0.46	0.65	0.79	55.6	5.13	0.47	0.67	0.84

HEATING RATINGS

Model	Outdoor Temp - DB/WB °F									
	0/0		17/15		35/33		47/43		62/56	
	Btuh	kW	Btuh	kW	Btuh	kW	Btuh	kW	Btuh	kW
LRP16HP24	6100	1.30	11,900	1.48	18,100	1.67	22,100	1.80	27,200	1.95
LRP16HP36	11,100	2.36	19,700	2.53	28,700	2.71	34,700	2.83	42,200	2.98
LRP16HP48	14,900	3.33	26,600	3.50	39,100	3.68	47,400	3.81	57,800	3.96
LRP16HP60	24,800	4.06	37,200	4.25	50,300	4.45	59,000	4.59	69,900	4.75

FIELD WIRING



A - Seven Wire Low Voltage (Electronic)

B - Two Wire Power (See Electrical Data Table)

If multiple disconnects are used on units with electric heat; there must be two-wire power provided for each disconnect

- Field Wiring Not Furnished -

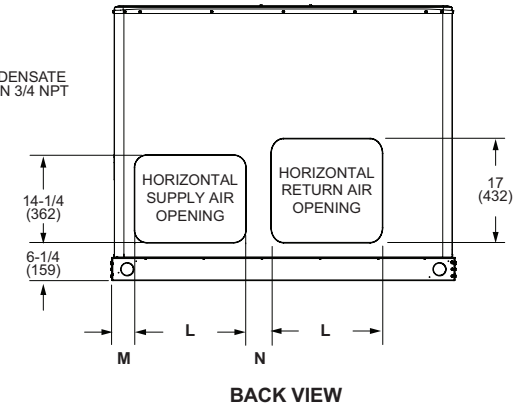
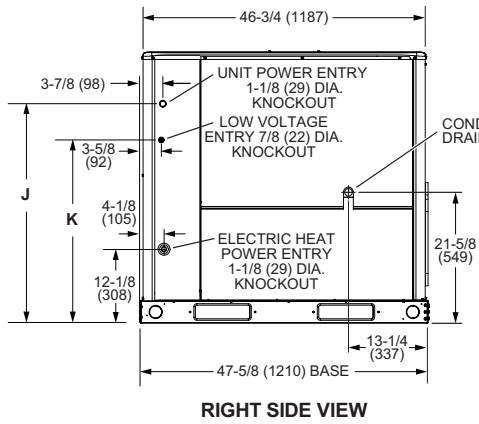
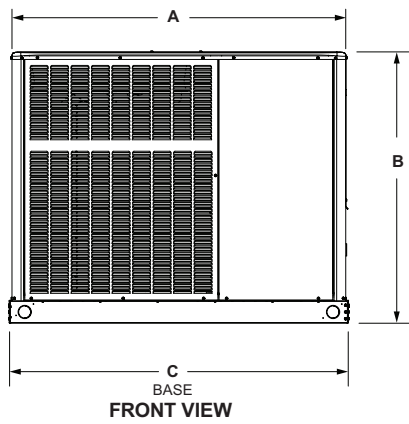
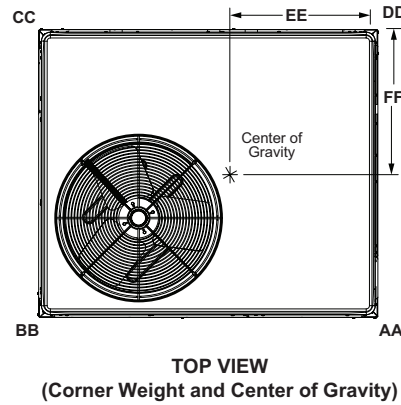
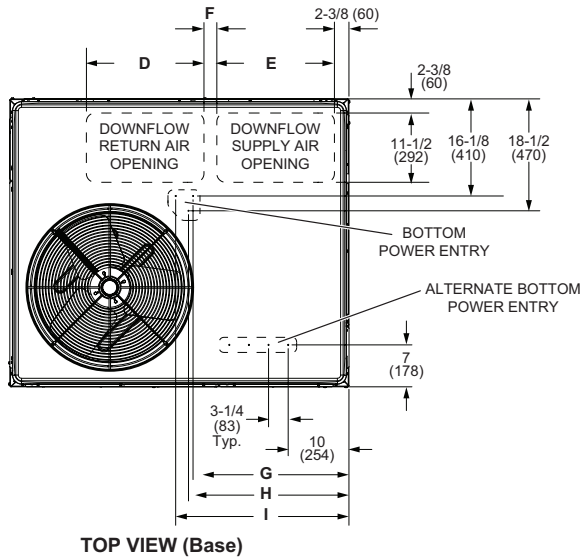
INSTALLATION CLEARANCES

	in.	mm
Front	24	610
Right Side (blower access)	24	610
Left Side (evaporator coil access)	24	610
Back	0	0
Top	48	1219

DIMENSIONS

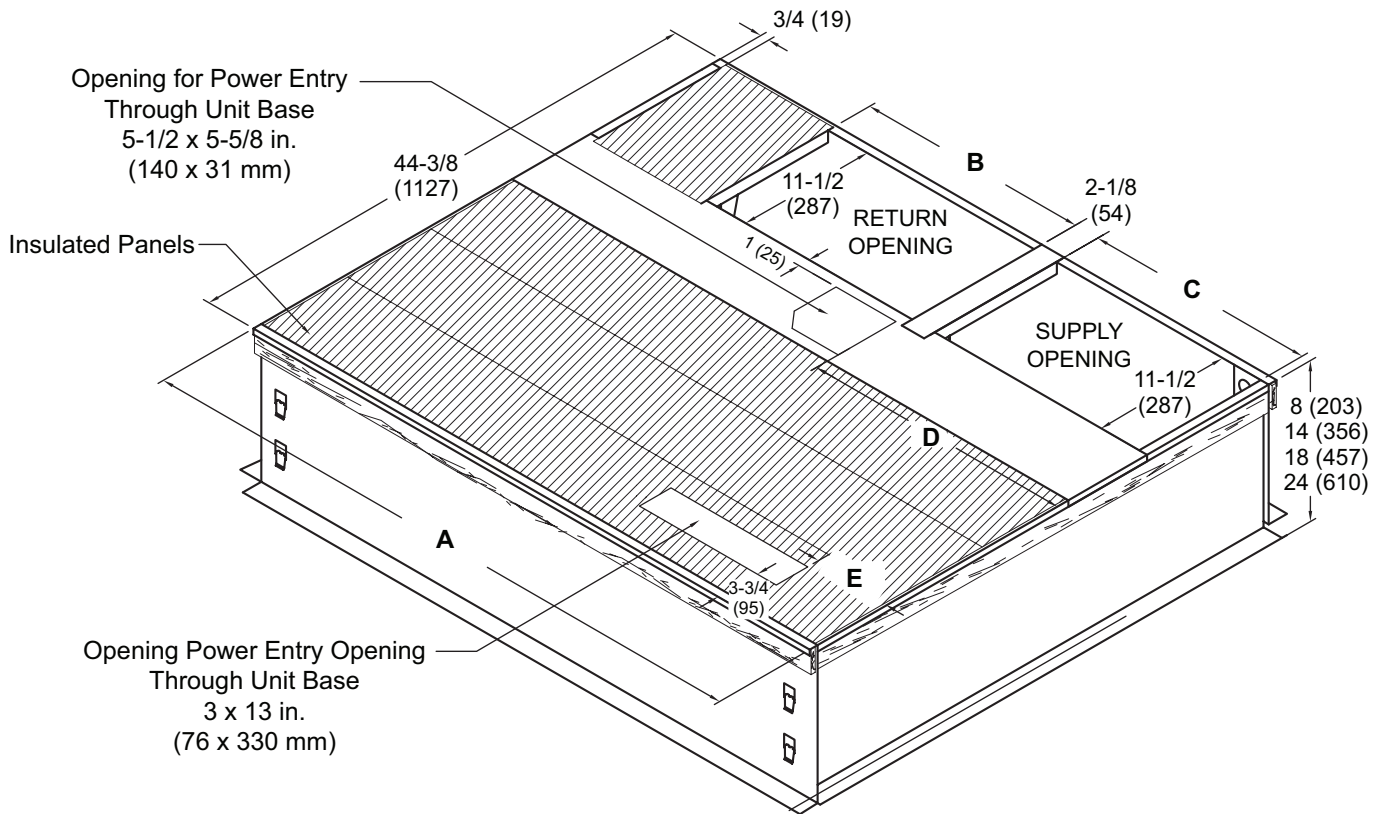
UNIT

Size	CORNER WEIGHTS								CENTER OF GRAVITY			
	AA		BB		CC		DD		EE		FF	
	lbs.	kg	lbs.	kg	lbs.	kg	lbs.	kg	in.	mm	in.	mm
24	96	44	107	49	117	53	105	48	21	533	21-1/2	546
36	104	47	116	53	126	57	114	52	21	533	21-1/2	546
48	124	56	134	61	147	67	135	61	25-1/4	641	21-1/2	546
60	127	58	138	63	151	68	139	63	25-1/4	641	21-1/2	546



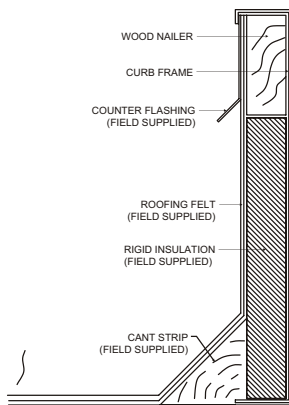
Size	A		B		C		D		E		F		G	
	in.	mm	in.	mm	in.	mm	in.	mm	in.	mm	in.	mm	in.	mm
24, 36	47-5/8	1210	40-7/8	1038	47-5/8	1210	16-3/4	425	14	356	2	51	20-1/4	514
48, 60	55-1/4	1403	44-7/8	1140	56-1/8	1426	19-1/2	495	19-1/2	495	2-1/8	54	25-7/8	657
Size	H		I		J		K		L		M		N	
	in.	mm	in.	mm	in.	mm	in.	mm	in.	mm	in.	mm	in.	mm
24, 36	21	533	23-1/4	591	32-1/4	819	26-1/4	667	13-1/2	343	3-1/8	79	5-7/8	149
48, 60	26-1/2	673	26-3/4	679	36-1/4	921	30-1/4	768	18-1/4	463	3-3/4	95	4-3/8	111

CLIP CURB

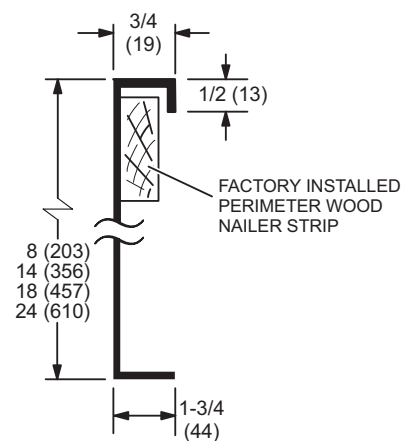


NOTE - Roof deck may be omitted within confines of curb.

TYPICAL FLASHING DETAIL FOR ROOF CURB

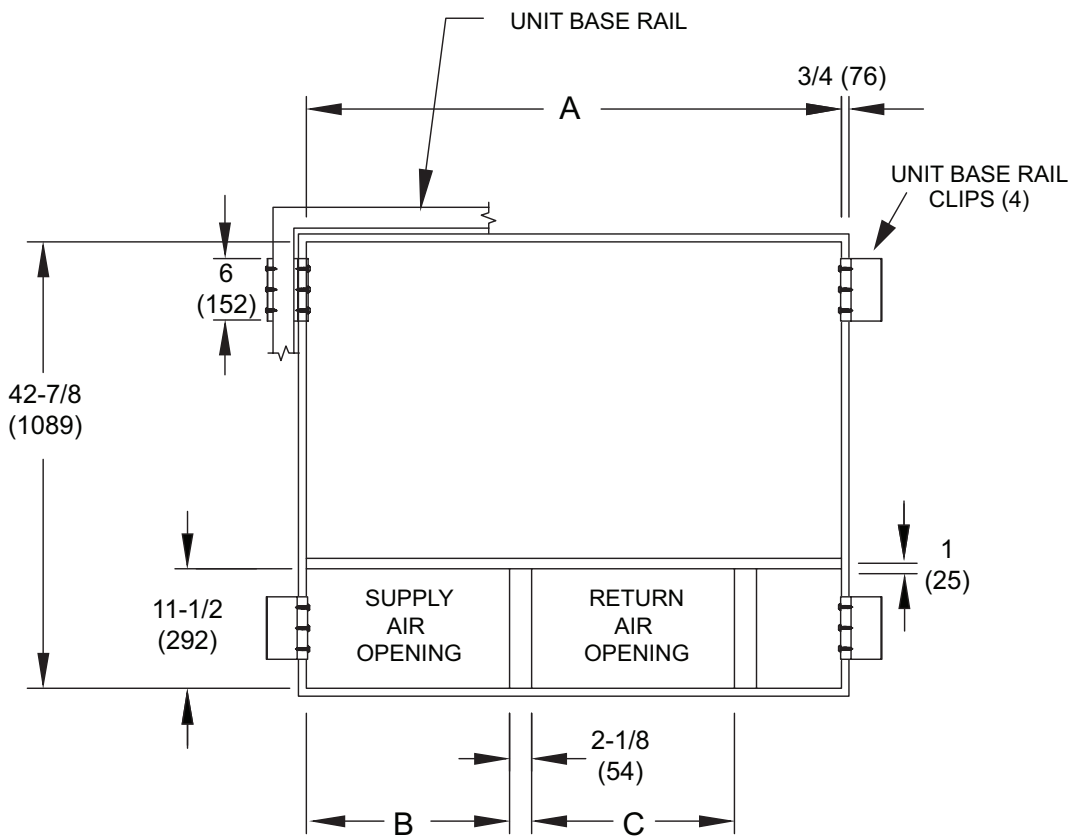
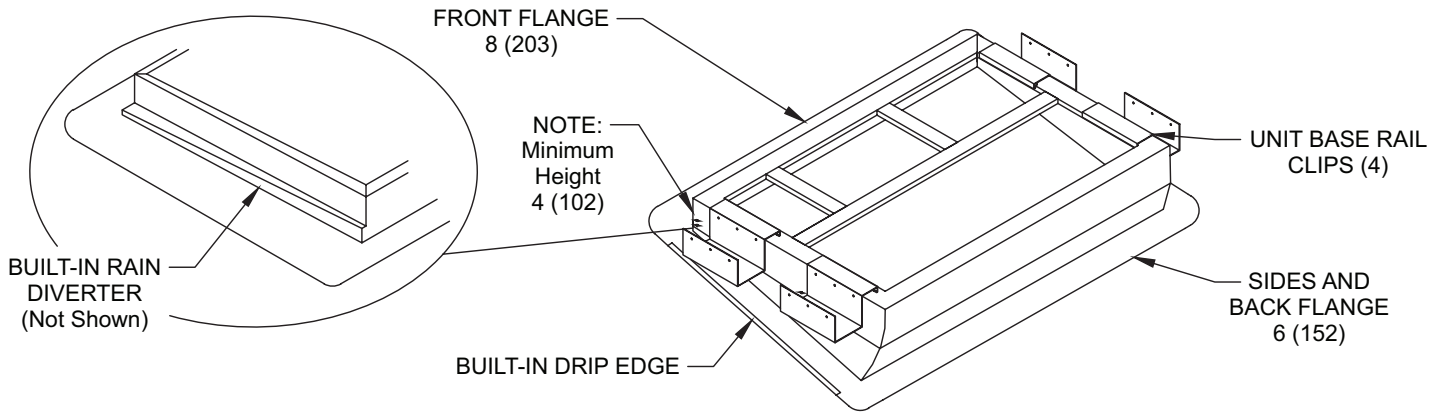


DETAIL ROOF CURB



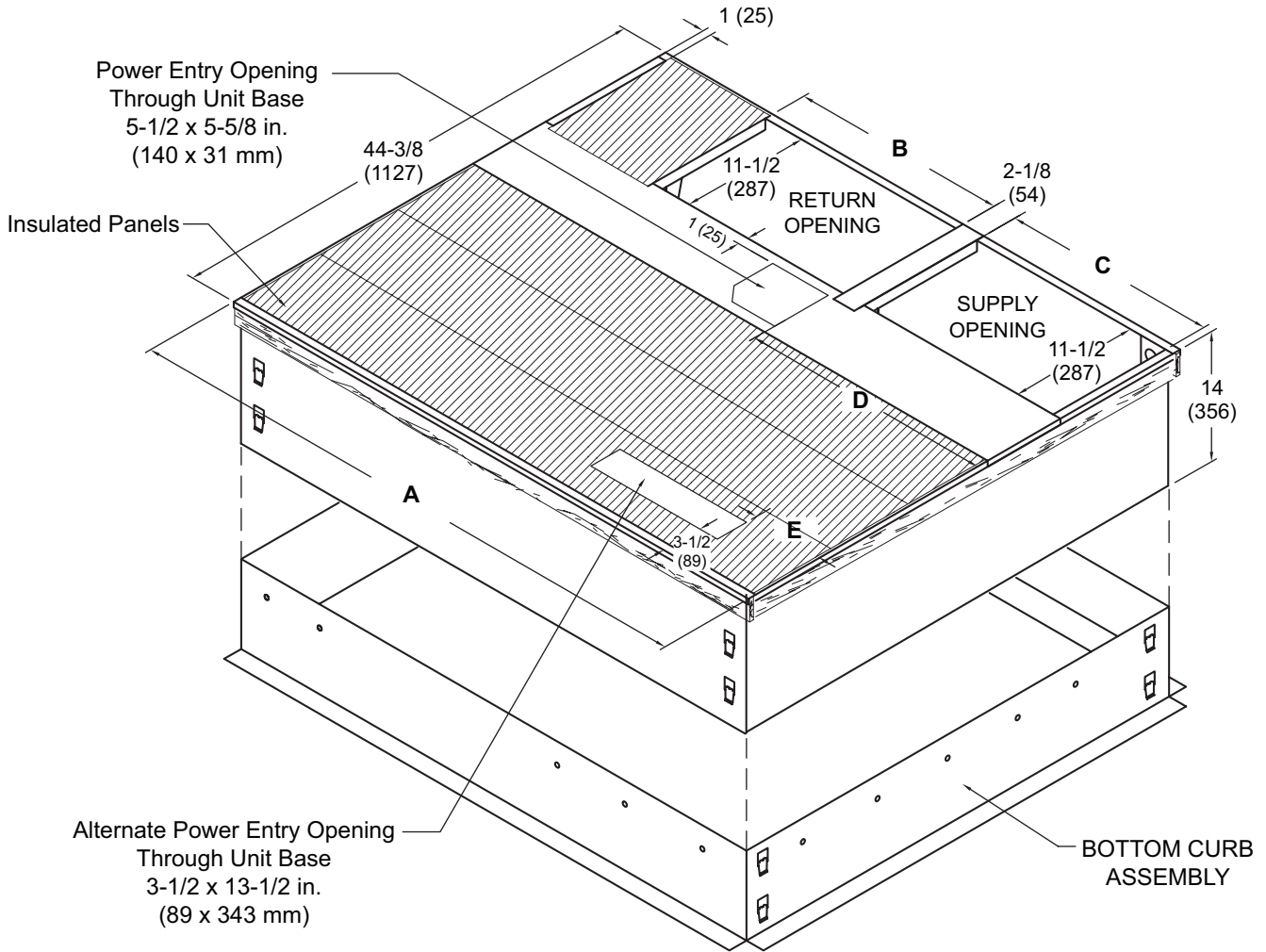
Usage	A		B		C		D		E	
	in.	mm	in.	mm	in.	mm	in.	mm	in.	mm
24, 36	44-3/8	1127	16-7/8	429	13-7/8	352	17-1/4	438	1-1/4	32
48, 60	52-7/8	1343	19-1/2	380	19-1/2	352	23-1/8	587	7	178

ADJUSTABLE PITCH ROOF WELDED CURB



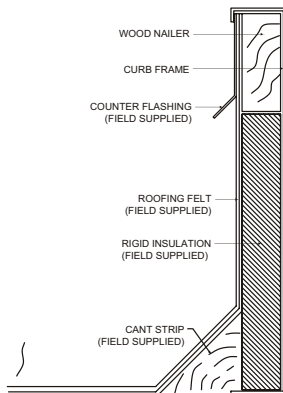
Usage	A		B		C	
	in.	mm	in.	mm	in.	mm
24, 36	42-7/8	1089	13-7/8	352	16-7/8	429
48, 60	51-3/8	1305	19-1/2	495	19-1/2	495

ADJUSTABLE PITCH ROOF CLIP CURB

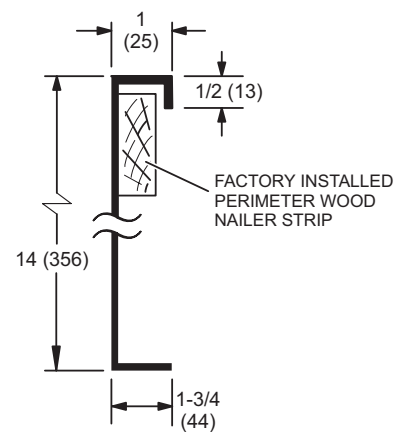


NOTE - Roof deck may be omitted within confines of curb.

TYPICAL FLASHING DETAIL FOR ROOF CURB



DETAIL ROOF CURB



Usage	A		B		C		D		E	
	in.	mm	in.	mm	in.	mm	in.	mm	in.	mm
24, 36	44-3/8	1127	16-7/8	429	13-7/8	352	17-1/4	438	1-1/4	32
48, 60	52-7/8	1343	19-1/2	380	19-1/2	352	23-1/8	587	7	178

REVISIONS

Sections	Description of Change
Electrical Data	Moved to Specifications table.
Electric Heat Data	Updated to show only electric heat data.



Visit us at www.Lennox.com

For the latest technical information, www.LennoxPros.com

Contact us at 1-800-4-LENNOX

NOTE - Due to Lennox' ongoing commitment to quality, Specifications, Ratings and Dimensions subject to change without notice and without incurring liability. Improper installation, adjustment, alteration, service or maintenance can cause property damage or personal injury. Installation and service must be performed by a qualified installer and servicing agency.

©2022 Lennox Industries, Inc.