



**MHA**

**Mini-Split**

**Single Zone Ductless Heat Pump Systems - R-410A - 60 Hz**

**RESIDENTIAL / COMMERCIAL  
PRODUCT SPECIFICATIONS**

Bulletin No. 210901  
April 2020  
Supersedes August 2019



**MWA Wall-Mounted  
Ductless Indoor Unit**

**Wireless  
Remote Control  
(furnished with  
Wall-Mount Model)**

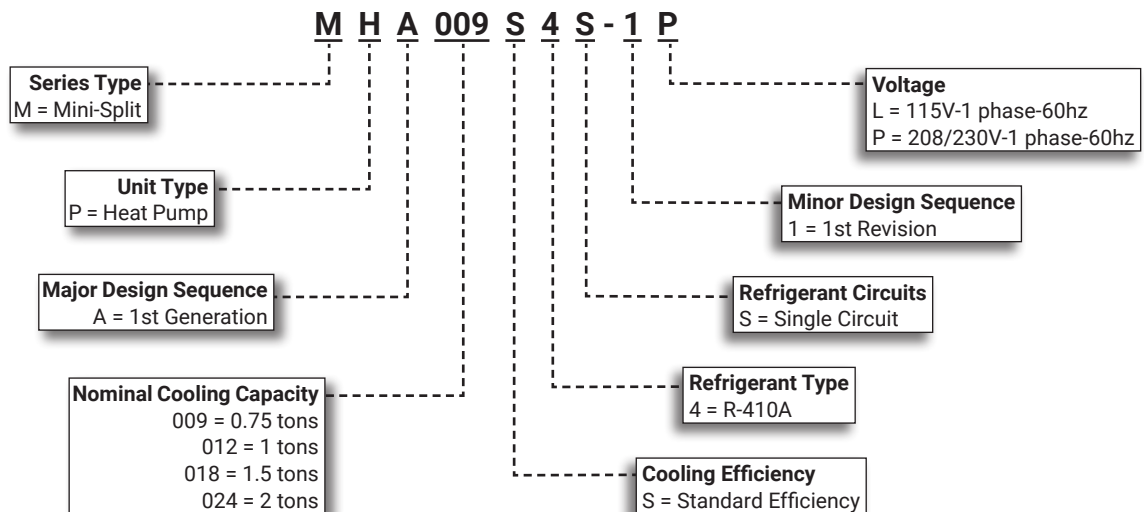


**MHA Outdoor Air  
Heat Pump Unit**

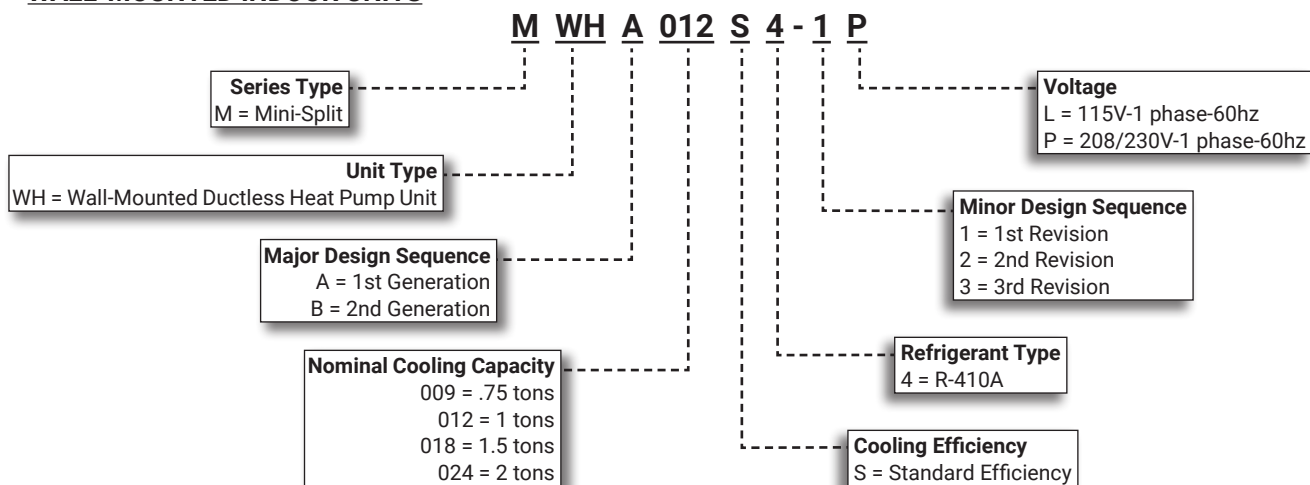
**SEER up to 19.00  
HSPF up to 10.0  
0.75 to 2 Tons  
Cooling Capacity - 9,000 to 24,000 Btuh  
Heating Capacity - 9,000 to 24,000 Btuh**

## MODEL NUMBER IDENTIFICATION

### OUTDOOR SINGLE ZONE AIR CONDITIONING UNITS



### WALL-MOUNTED INDOOR UNITS



## CONTENTS

|  |    |
|--|----|
| AHRI System Matches . . . . .                                  | 12 |
| Air Throw Data. . . . .  | 21 |
| Approvals and Warranty . . . . .                               | 3  |
| Cooling Capacity . . . . .                                     | 15 |
| Dimensions - Outdoor Units . . . . .                           | 22 |
| Dimensions - Wall-Mounted Indoor Units . . . . .               | 24 |
| Dimensions - Wall-Mounted Indoor Units - Wall Plates . . . . . | 24 |
| Features . . . . .   | 3  |
| Heating Capacity . . . . .                                     | 15 |
| Installation Clearances - Outdoor Units. . . . .               | 26 |
| Installation Clearances - Wall-Mounted Indoor Units . . . . .  | 27 |
| Line Set And Elevation Guidelines. . . . .                     | 27 |
| Model Number Identification. . . . .                           | 2  |
| Optional Accessories - Order Separately . . . . .              | 13 |
| Sound Levels . . . . .   | 14 |
| Specifications - Outdoor Units . . . . .                       | 11 |
| Specifications - Wall-Mounted Indoor Units . . . . .           | 12 |

## APPROVALS AND WARRANTY

### **APPROVALS**

- AHRI Standard 210/240 certified with Addenda 1 and 2
- Rated According to U.S. Department of Energy (DOE) test procedures
- Indoor and outdoor units and components UL and CEC bonded for grounding to meet safety standards for servicing
- ETL certified for the U.S. and Canada
- Meets 2014 Florida Building Code Wind Design Criteria
  - Ultimate Wind Speed – 186 miles per hour
  - Risk Categories – III and IV
  - Wind Exposures – C and D
  - Mean Roof Heights – Up to 60 feet above ground

### **WARRANTY**

- Compressor - Limited seven years
- All other covered components - Limited five years

**NOTE** - Refer to Lennox Equipment Limited Warranty certificate included with unit for specific details.

## FEATURES

### **APPLICATIONS**

- SEER - Up to 19.00
- HSPF - Up to 10.0
- 0.75 through 2 ton
- Single phase power supply - 208/230V (all models)
- 115V (009-012 models only)
- Outdoor unit sound levels as low as 52 dBA
- Indoor unit sound levels as low as 24 dBA
- Ductless mini-split systems provide a wide range of capacities and applications and provide an alternative when a ducted system is impractical or cost prohibitive
- Units shipped completely factory assembled, internally piped, and wired
- Installer must set outdoor unit, hang indoor unit, connect refrigerant lines, and make electrical connections to complete job

**NOTE** - Outdoor unit is designed for outdoor use.

### **REFRIGERATION SYSTEM**

#### **R-410A Refrigerant**

- Non-chlorine, ozone friendly
- Unit is factory pre-charged

#### **Outdoor Coil**

- Aluminum fins fitted to copper tubes
- Wire grille guard provided

#### **Outdoor Fan**

- Direct drive fan moves large air volumes uniformly through entire outdoor coil for high refrigeration capacity
- Fan guard provided

#### **Refrigerant Line Connections, Service Valve**

- Flare connection lines are located on side of unit cabinet
- Fully serviceable brass service valve prevents corrosion and provides access to refrigerant system

- Shut-off valve can be fully shut off while 3-way service valve (with service port) may be accessed to manage refrigerant charge while servicing system

### **COMPRESSOR**

#### **Variable Frequency Rotary Compressor**

- Compressor features high efficiency operation
- Balanced for reduced vibration and quiet operation
- Brushless DC motor uses powerful Neodymium magnets, which are approximately 15-20 times stronger than ferrite magnets used in conventional AC compressors

#### **Compressor Crankcase Heater**

- Protects against liquid refrigerant migration that can occur during low ambient operation

### **CONTROLS**

#### **DC Inverter Control**

- Provides continuous operation, while adjusting capacity according to room temperature
- The accurate sensing of cooling loads prevents frequent changes in capacity and ensures efficient, economical operation

#### **Inverter Module Protection**

- Protects against differences in current, voltage and temperature
- Displays code on the indoor unit indicating a need for servicing

#### **Outdoor Unit Microprocessor**

- Electronic expansion valve control
- Automatic compressor timed-off protection (3 minutes)
- Temperature sensor
- LEDs on control display error codes and assist in troubleshooting
- 4-Way reversing valve control

## FEATURES

### **REFRIGERATION SYSTEM (continued)**

#### **Capillary Tube Refrigerant Metering**

- Refrigerant metering device consisting of small diameter tubes feeding liquid refrigerant into the evaporator coil
- Furnished on all units

#### **Check Valve**

- Bypasses refrigerant during the reverse heating cycle
- Furnished on all models

#### **Compressor Overcurrent Protection**

- Overcurrent protection can result due to any of the following:
  - Ambient temperature is too high
  - Locked rotor on the compressor
  - Outdoor air is blocked or restricted

#### **Condenser High Temperature Protection**

- Condenser high temperature can occur due to any of the following conditions:
  - High outdoor ambient
  - Outdoor fan blocked
  - Outdoor coil blocked
- The outdoor coil thermistor continuously monitors the temperature and communicates with the microprocessor
- Depending on the temperature measured, the compressor will be allowed to increase the frequency if needed to meet the load or is forced to run at the current or reduced frequency
- If the temperature becomes excessively high the compressor will be de-energized

#### **Compressor Discharge Temperature Protection**

- The compressor discharge line thermistor continuously monitors the temperature and communicates with the microprocessor
- Depending on the temperature measured, the compressor will be allowed to increase the frequency to meet the load or is forced to run at the current or reduced frequency
- If the temperature becomes excessively high, the compressor will be de-energized

#### **Voltage Protection**

- Protects unit from low or high voltage fluctuations

#### **Terminal Strip**

- Furnished for easy wiring connections

#### **Defrost Control**

- Defrost cycle is automatically enabled if there is a build-up of frost on the outdoor coil
- Outdoor fan and indoor blower operation is terminated during the defrost cycle
- Defrost LED is lit on the indoor unit panel on the front cover during a defrost cycle

#### **Reversing Valve**

- Rapid changeover of refrigerant flow direction from cooling to heating and vice versa
- Operates on pressure differential between outdoor unit and indoor unit

### **CABINET**

- Constructed of heavy gauge steel
- Tabs on unit base allow secure mounting to slab
- Condensate drain outlets furnished on unit base

**NOTE** - Drain must be field furnished.

- Access cover for power and control wiring connections
- Access cover for service valves

### **WALL-MOUNTED INDOOR UNITS**

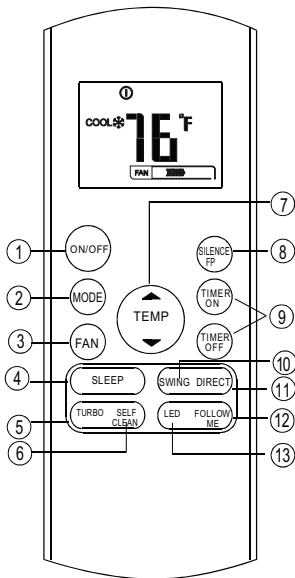


- Low-sound, three-speed Wall Mount with LED display offers three access points for refrigerant outlet pipes: left, right or rear
- The front panel can be raised for accessible wiring and maintenance
- Swing louver angles to 90°
- Unit installs horizontally on a vertical wall
- **Pre-Heat Function** - Delays the operation of the fan until the indoor coil has reached a pre-determined temperature which prevents the discharge of cold air while the system is operating in the "heating" mode
- **LED Readout** - Mounted on unit. LED displays unit operation status, and codes for maintenance and servicing
- **Auto Restart** - Automatically restores the previous function setting if power is interrupted
- **Cooling Override** - Button on the indoor unit allows a temporary 30 minute override of the system for forced "AUTO" or "COOLING" operation
- **Flare Connections** - Equipped with liquid and gas flare fittings for quick and secure piping
- **Multi-Refrigerant Outlet** - Allows left, right, or rear access for refrigeration line connection
- **Three Speed Fan** - Fan functions at three speeds: low, medium and high
- **Air Filter** - Cleanable air filter is furnished as standard

## FEATURES

### WIRELESS REMOTE CONTROLLER

- Furnished with Indoor Unit
- Complete remote control of system
- Maximum operating range is 25 ft.
- Operates on two AAA 1.5V batteries (furnished)
- Wireless remote controller holder furnished
- Holder can be mounted on a wall for easy access
- Mounting screws furnished

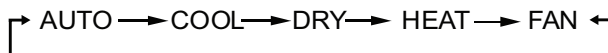


#### 1 ON/OFF Button

- Turns system on and off

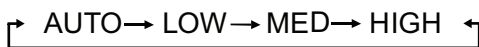
#### 2 MODE Button

- Select system operation modes
- Push button to cycle through each setting



#### 3 FAN Button

- Select fan speed
- Push button to cycle through each setting



**NOTE** - Not available in AUTO or DRY modes.

#### 4 SLEEP Button

- Enables the system to automatically increase cooling or decrease heating (in 2°F increments) per hour for the first 2 hours, then maintain a steady temperature for 5 hours
- System reverts back to previous operation mode after 7 total hours of operation

**NOTE** - To cancel, push the "MODE", "FAN SPEED" or "ON/OFF" buttons.

**NOTE** - SLEEP mode is only available when the unit is in COOL, HEAT or AUTO mode.

#### 5 TURBO Button

- Enables the unit to reach the preset temperature during cooling or heating operation in the shortest time

#### 6 SELF CLEAN Button

- Automatically cleans and dries the evaporator coil at the end of the cooling season, preventing any odors or mildew

#### 7 UP/DOWN Buttons ▲ ▼

- Increase or decrease the indoor temperature in one degree increments (maximum 86°F, minimum 62°F)

**NOTE** - Temperature cannot be adjusted in FAN mode.

**NOTE** - Press and hold and buttons together for 3 seconds to alternate the temperature display between the °C and °F scale.

#### 8 SILENCE/FP Button

- **Silence** - Operates the compressor at low frequency and low fan speed to reduce operating sound levels to a minimum
- **FP** - Only available during heating operation. Unit will operate at a set temperature of 46°F

**NOTE** - To cancel, push the "ON/OFF", "SLEEP", "FP", "MODE", "FAN SPEED", "UP/DOWN" buttons.

#### 9 TIMER ON / TIMER OFF Buttons

- **TIMER ON** (initiates an auto-on time sequence)
- **TIMER OFF** (initiates an auto-off time sequence)
- Can be used separately or together
- Each press of the button increases the time in 30 minute increments up to 10 hours
- Above 10 hours each press of the button will increase the auto-timed setting by 60 minutes up to 24 hours

**NOTE** - To cancel, set timer to 0.0 or turn remote off and on.

#### 10 SWING Button

- Used to stop or start horizontal louver auto swing feature

#### 11 DIRECT Button

- Used to change the louver movement and set the desired up/down air flow direction
- The louver angle changes 6° for each press of the button

#### 12 FOLLOW ME Button

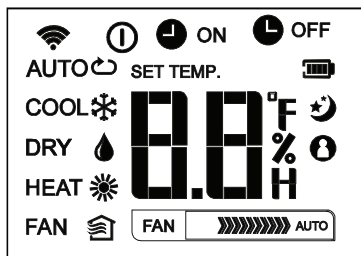
- Allows remote temperature sensing of the room at the remote controller location

#### 13 LED Button

- Turns the LCD display backlight on the indoor unit on or off

## FEATURES

### WIRELESS REMOTE CONTROLLER OPERATION



#### Mode display



- Displayed when data transmitted.
- Displayed when remote controller is ON.
- Battery display (low battery detection)

- ON Displayed when TIMER ON time is set.
- OFF Displayed when TIMER OFF time is set.

Show set temperature or room temperature, or time under TIMER setting.

- Displayed in Sleep Mode operation.
- Indicated that the air conditioner is operating in Follow me mode

#### Fan speed indication

- Low speed
- Medium speed
- High speed
- Auto fan speed

**Note - During unit operation only the active functions will be shown on the display.**

#### Auto Operation

1. Press the **MODE** button to select Auto.
2. Press the **UP/DOWN** button to set the desired temperature.
3. Press the **ON/OFF** button to start the air conditioner.

#### Cooling /Heating/Fan Operation

1. Press the **MODE** button to select **COOL**, **HEAT** or **FAN** mode.
2. Press the **UP/DOWN** buttons to set the desired temperature.
3. Press the **FAN** button to select the fan speed in four steps- Auto, Low, Med, or High.
4. Press the **ON/OFF** button to start the air conditioner.

#### Dehumidifying Operation

1. Press the **MODE** button to select **DRY** mode.
2. Press the **UP/DOWN** buttons to set the desired temperature.
3. Press the **ON/OFF** button to start the air conditioner.

#### Timer ON/OFF Operation

1. Press the **TIMER ON** or **TIMER OFF** button. The remote controller shows **TIMER ON** or **TIMER OFF** icon, the previous Auto-on time setting and the signal "H" will be shown on the LCD display area.
2. Push the **TIMER ON** or **TIMER OFF** button again to set desired time. Each time you press the button, the time increases by 30 minutes between 0 and 10 hours and by 60 minutes between 10 and 24 hours.
3. After setting the **TIMER ON** or **TIMER OFF** there will be a one second delay before the remote controller transmits the signal to the unit. After approximately 2 seconds, the signal "H" will disappear and the set temperature will re-appear on the LCD display window.

## OPTIONAL ACCESORIES - ORDER SEPARATELY

### WIRED PROGRAMMABLE CONTROLLER

M0STAT64Q-1



- Wired programmable local controller for mini-split indoor units with convenient timed schedules for daily operation
- Up to 8 events per day
- Schedule start time, mode, setpoint, and fan speed
- Compatible with all indoor units
- Copy/paste function for easy duplication of events to other days
- Built-in system diagnostics
- Large, back-lit, easy-to-read LCD screen with digital display

### BUTTONS AND FUNCTIONS

#### POWER Button

- Turn system on and off

#### FAN SPEED Button

- Scroll through fan speeds (Auto - Low - Med - High)

#### MODE Button

- Use + and – buttons to scroll through available operation modes (Auto / Cool / Dry / Fan / Heat)

#### PLUS (+) and MINUS (-) Buttons

- Setpoint adjustment (62-86°F)
- Select days of the week when setting a schedule
- Select mode of operation

#### SWING Button

- Stop or start horizontal (up/down) louver auto swing
- Controls swing oscillation and louver angle in 6° increments

#### TIMER Button

- Sets current time of day (24 hour clock)
- Setup weekly schedules or to setup timed operation for the indoor unit
- Stop/Stop timed operation

#### DAY OFF / DEL Button

- Disable specific days/schedules of the week
- Delete a specific event

#### CONFIRM Button

- Confirms each step when managing schedules

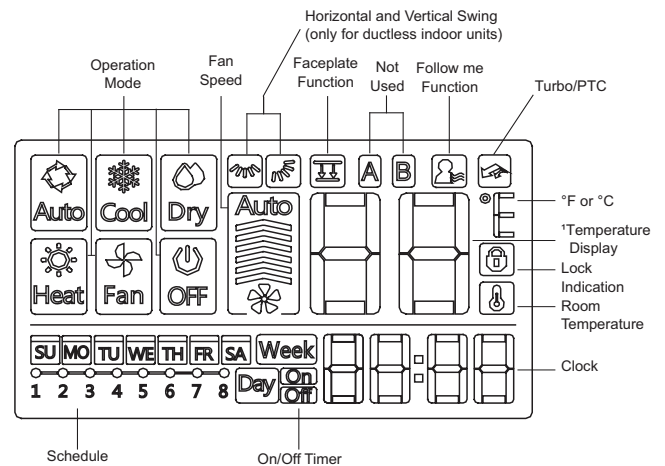
#### BACK/TURBO Button

- Turbo sets indoor unit fan speed to high for a factory-set time period

#### COPY/FOLLOW ME Button

- Toggles between room temperature sensing from the indoor unit or the controller

### DISPLAY



- Audible tone when a button is pressed (can be disabled)
- Lock function disables buttons to prevent tampering
- Controller uses 4-wire shielded 20 ft. (6 m) cable (furnished) for easy low voltage connection to the indoor unit
- Adaptor cables are furnished for various indoor unit connections

**NOTE** - Cable for longer lengths must be ordered separately.

**NOTE** - Maximum cable length is 164 ft. (50 m).

- Hardware for mounting furnished
- Mounts to standard electrical junction box (not furnished)
- Lithium battery furnished
- Power Supply: 5 VDC
- Dimensions (H x W x D): 4-7/8 x 4-3/4 x 3/4 in. (124 x 121 x 19 mm)

### OPTIONAL ACCESSORIES

#### Extension Cable for Wired Programmable Controller

- 20 ft. cable for easy low voltage connection to the indoor unit
- Extends cable to 40 ft. (12 m) length

## OPTIONAL ACCESORIES - ORDER SEPARATELY

### WIRED NON-PROGRAMMABLE CONTROLLER

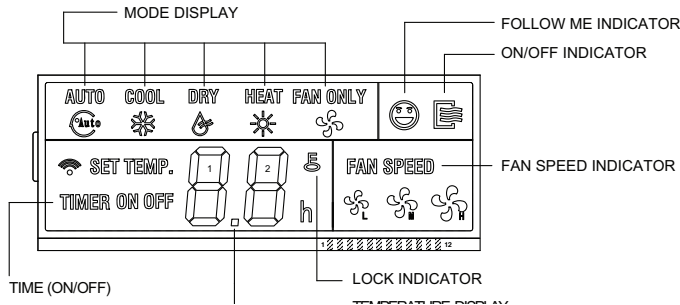
M0STAT61Q-1



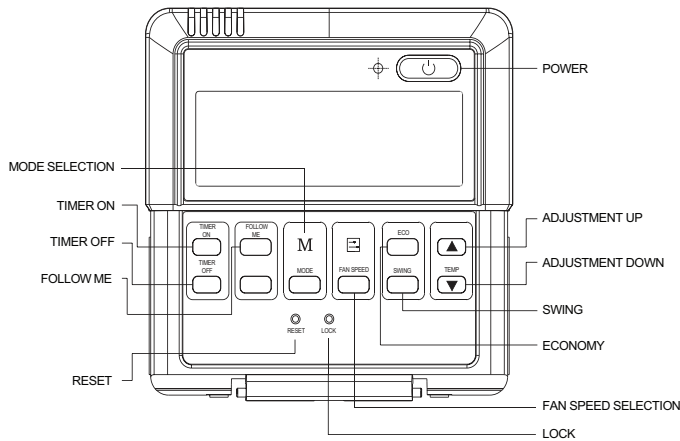
- Permanent Memory - Maintains clock, fan speed and mode of operation settings following power outages
- Dimensions (H x W x D) - 4-3/4 x 4-3/4 x 7/8 in.
- Additional hardware is furnished for installation
- Controller uses 5-wire shielded 20 ft. (6 m) cable (furnished) for easy low voltage connection to the indoor unit

**NOTE** - Maximum cable length is 40 ft. (12 m).

#### DISPLAY



#### BUTTONS AND FUNCTIONS



#### MODE Button

- Select system operation modes. Push button to cycle through each setting

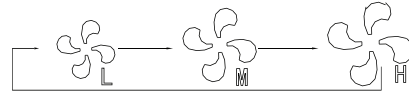


#### POWER Button

- Turns system on and off

#### Fan Speed Button

- Selects fan speed. Each button press cycles through the following settings on display



**NOTE** - Not available in AUTO mode.

#### TIMER ON / TIMER OFF Buttons

- TIMER ON (initiates an auto-on time sequence)
- TIMER OFF (initiates an auto-off time sequence)
- Can be used separately or together
- Each press of the button increases the time in 30 minute increments up to 10 hours
- Above 10 hours each press of the button will increase the auto-timed setting by 60 minutes up to 24 hours

**NOTE** - To cancel, set timer to 0.0.

#### UP / DOWN Buttons ▲ ▼

- Increase or decrease the indoor temperature in two degree increments (maximum 88°F, minimum 62°F)

**NOTE** - Temperature cannot be adjusted in FAN mode.

**NOTE** - Press and hold and buttons together for 3 seconds to alternate the temperature display between the °C and °F scale.

#### SWING Button

- Used to stop or start horizontal louver auto swing feature

#### ECONOMY Button

- Maintains the most comfortable temperature and saves energy

#### RESET Button (Recessed)

- Resets Controller to factory settings. Recessed to prevent tampering.

#### LOCK Button (Recessed)

- Locks Controller buttons to prevent tampering with settings.

## OPTIONAL ACCESSORIES

#### Extension Cable for Wired Remote Controller

- 20 ft. cable for easy low voltage connection to the indoor unit
- Extends cable to maximum 40 ft. (12 m) length



## OPTIONAL ACCESSORIES - ORDER SEPARATELY

### OUTDOOR UNITS

#### Condenser Pad

- Provides permanent foundation for outdoor units
- One-piece lightweight structural foam and molded from high-density polyethylene (HDPE)
- Lightweight, easy to carry and install
- Textured finish provides a non-skid surface so outdoor unit sits securely in one place
- UV stable

#### Disconnects

- Positive unit disconnect
- Single door enclosure
- Fused and non-fused models available

#### Fuses

- 30 and 60 amp fuses available

#### Hail Guards

- Protects outdoor coils on all sides without inhibiting airflow or performance
- Self-tapping screws provided for installation
- Flat shape allows for outdoor units to be placed close together
- Each kit contains all required guards
- Order one hail guard kit per outdoor unit module

#### Indoor/Outdoor Wiring Cable

- 14-gauge, 4-conductor wire
- THHN (Thermoplastic High Heat-resistant Nylon-coated) wire
- Suitable for wet or dry locations
- Rated up to 600V

#### Refrigerant Line Sets

- Refrigerant lines are shipped refrigeration clean
- Lines are cleaned, dried, pressurized and sealed at factory

#### Wall Brackets

- Heavy duty 1/8 in. thick steel brackets for supporting outdoor units
- Mount at any height to allow for easy maintenance under units
- Pre-punched holes for easy installation
- Powder coated gray finish
- Load rating 600 lbs. per pair

#### Whips

- Heavy duty electrical whips are available in 8 and 10 gauge sizes
- 6 ft. lengths
- Weatherproof metal conduit

### INDOOR UNITS

#### Condensate Pumps

- Quietly and efficiently removes condensate
- See Optional Accessories Table for available pumps

#### A/C Easy Tee® Condensate Cleanout

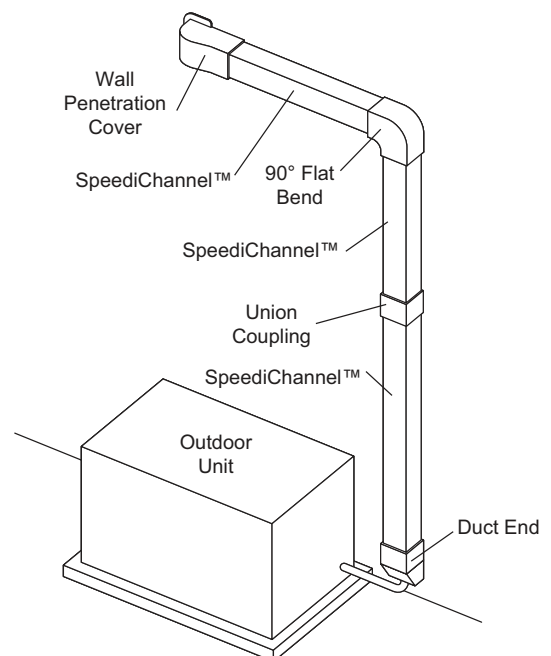
- Condensate drain service port
- Flexible and easy to use with nitrogen, water or shop vac
- Screw cap on top allows easy access to condensate drain line

### SPEEDICHANNEL™ SYSTEM



- SpeediChannel™ is a channel system covers system line sets
- Two-part system has a base and a cover
- Base is fastened to a wall or ceiling with plastic clips (SpeediClip™) that snap into a channel already molded into the base
- Cover fits on top of the base
- Manufactured from rigid PVC, which is UL rated and resistant to UV light
- System is a natural color that closely matches typical mini-split outdoor units
- Can be painted as desired to match any wall color

#### Typical Application



## OPTIONAL ACCESORIES - ORDER SEPARATELY

### **SPEEDICHANNEL™ SYSTEM (continued)**

#### **SpeediChannel™ Starter Kit**

- The starter kit includes (1) Coupling, (1) Wall Penetration, (1) Inside Elbow, (1) Long Radius Flat Bend, (10) Speediclip™s, (10) 11 in. Cable Ties, and (1) SpeediChannel Instruction Booklet

#### **Duct End**

- Duct Ends are used to terminate a run of SpeediChannel™ to a small opening just large enough for the line set and condensate drain line to pass through



#### **Flat Wall Escutcheon**

- Flat Wall Escutcheons are used to cover a rough opening in a soffit, wall, or ceiling penetration



- One side of the escutcheon is flat to allow for a SpeediChannel™ to run along a wall and to penetrate through an adjacent wall or ceiling
- This is the most common type of wall penetration
- Furnished in two parts, the escutcheon easily snaps onto the SpeediChannel™

#### **Flex Joint**

- A Flex Joint is an accordion-style piece of SpeediChannel™
- The flex joint can be extremely flexible when routing a SpeediChannel™ system around an obstacle
- Each joint is 20 in. long and can be combined together for longer flex runs
- The flex joint does not require the use of a union coupling
- The flex joint slides tightly inside the SpeediChannel™ system

#### **T-Joint**

- T-Joints are used for creating a tee connection between three pieces of SpeediChannel™
- Each tee is individually packed and furnished with stainless steel screws



#### **Union Coupling**

- Union Couplings are used for joining two pieces of SpeediChannel™
- Each coupling is individually packed and furnished with stainless steel screws



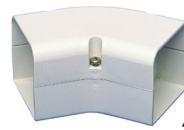
#### **Wall Penetration Cover**

- Wall penetration covers are used to transition from the SpeediChannel™ system to a through wall penetration
- Wall covers are designed to allow for easy installation, even after the line set has been installed
- A hooking and fastening arrangement allows for quick installation
- Each wall cover is individually packed, and furnished with stainless steel screws to attach the wall cover to the base
- Three screws are necessary to fasten the wall cover to the wall construction, regardless of the type of installed system



#### **45° and 90° Flat Bend Elbows**

- 45° Flat Bends are used to route the SpeediChannel™ around obstacles
- Each bend is individually packed and furnished with stainless steel screws



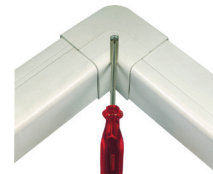
45°



90°

#### **90° Inside Elbow**

- 90° Inside Elbows are used to route the SpeediChannel™ around an inside corner
- Each elbow is individually packed and furnished with stainless steel screws



#### **Mount Block White Qty. (2) 14 in. and (2) 36 in.**

- Mount Blocks are used as mounting bases when outdoor units must be bolted down
- End caps (for aesthetics) come furnished with mounting bolts
- Maximum load capacity is 900 pounds per mounting block
- Installation temperatures range from -4°F to 140°F
- Mount blocks fit all mini-split outdoor units with a sliding rail feature



## SPECIFICATIONS - OUTDOOR UNITS

| Outdoor Unit Model No.                             |   | MHA009S4S             | MHA012S4S                                      | MHA018S4S       | MHA024S4S       |          |          |
|--|---|-----------------------|--|-----------------|-----------------|----------|----------|
| Nominal Size - Tons                                |   | 0.75                  | 1  | 1.5             | 2               |          |          |
| Ambient Temperature Operating Range - °F           | Cooling   | 5 - 122               | 5 - 122  | 5 - 122         | 5 - 122         |          |          |
|  | Heating   | 5 - 86                | 5 - 86   | 5 - 86          | 5 - 86          |          |          |
| Sound Data (dBA)                                   |   | 52                    | 55   | 57.5            | 58              |          |          |
| Refrigerant (R-410A)                               | Charge furnished                                | 1 lb. 14 oz.          | 1 lb. 14 oz.                                   | 2 lbs. 12 oz.   | 3 lbs. 15 oz.   |          |          |
|  | Maximum line length with furnished charge - ft. | 25                    | 25   | 25              | 25              |          |          |
|  | Additional charge required per ft. - oz.        | 0.16                  | 0.16   | 0.16            | 0.32            |          |          |
| Compressor   | No. and Type                                    | (1) Rotary            | (1) Rotary                                     | (1) Rotary      | (1) Rotary      |          |          |
|  | Refrigerant oil type                            | Ester Oil VG74        | Ester Oil VG74                                 | Ester Oil VG74  | Ester Oil VG74  |          |          |
|  | Refrigerant oil charge - oz.                    | 10.5                  | 10.5   | 14.9            | 22.7            |          |          |
| Connections - in.                                  | Liquid/Gas pipe (flare)                         | 1/4 - 3/8             | 1/4 - 1/2                                      | 1/4 - 1/2       | 3/8 - 5/8       |          |          |
|  | Maximum refrigerant pipe length - ft.           | 82                    | 82   | 98              | 98              |          |          |
|  | Max. difference in level of indoor unit - ft.   | 33                    | 33   | 66              | 66              |          |          |
| Outdoor Fan  | (No.) Diameter - in.                            | (1) 16-3/4            | (1) 16-7/8                                     | (1) 16-7/8      | (1) 19-1/4      |          |          |
|  | Total air volume - cfm                          | 1175                  | 1175   | 1175            | 1825            |          |          |
|  | rpm   | 850 / 650             | 800 / 650 (115V)<br>800 / 750 / 650 (208/230V) | 800 / 750 / 650 | 800 / 750 / 650 |          |          |
| Outdoor Coil                                       | Number of rows                                  | 1                     | 1  | 2               | 2               |          |          |
|  | Fins per inch                                   | 21                    | 21   | 21              | 21              |          |          |
|  | Fin type  | Hydrophilic aluminium |  |                 |                 |          |          |
|  | Tube outside diameter - in.                     | 1/4                   | 1/4  | 1/4             | 1/4             |          |          |
|  | Tube type                                       | Rifled copper tubing  |  |                 |                 |          |          |
|  | Net face area - ft. <sup>2</sup>                | 4.04                  | 4.72   | 4.67            | 5.12            |          |          |
|  | Application area - ft. <sup>2</sup>             | 129 - 189             | 172 - 252                                      | 251 - 368       | 330 - 484       |          |          |
| Design Pressure                                    | PSIG  | 550 / 340             | 550 / 340                                      | 550 / 340       | 550 / 340       |          |          |
| Shipping Data                                      | Net/Shipping weight (lbs.) (115V)               | 67 / 72               | 71 / 77  | ---             | ---             |          |          |
|  | (208/230V)                                      | 67 / 72               | 67 / 73  | 80 / 86         | 106 / 113       |          |          |
| <b>ELECTRICAL DATA</b>                             |   |                       |  |                 |                 |          |          |
| Electrical Characteristics - 60 Hz - 1 Phase       |   | 115V                  | 208/230V                                       | 115V            | 208/230V        | 208/230V | 208/230V |
| <sup>1</sup> Maximum Overcurrent Protection (amps) |   | 20                    | 15   | 20              | 15              | 20       | 25       |
| <sup>2</sup> Minimum circuit ampacity              |   | 16                    | 10   | 15              | 15              | 15       | 20       |
| Compressor Rated load amps                         |   | 11.5                  | 6.4  | 10.1            | 6.8             | 10.0     | 15.0     |
| Outdoor Fan Motor                                  | Rated load amps                                 | 0.6                   | 0.5  | 0.55            | 0.45            | 0.5      | 0.6      |
|  | Output - W                                      | 34                    | 34   | 34              | 34              | 34       | 115      |

NOTE - Extremes of operating range are plus and minus 10% of line voltage.

<sup>1</sup> HACR type circuit breaker or fuse.

<sup>2</sup> Refer to National or Canadian Electrical Code manual to determine wire, fuse and disconnect size requirements.

**SPECIFICATIONS - WALL-MOUNTED INDOOR UNITS**
**009-012**

| Indoor Unit Model No.                                | MWA009S4        |                 | MWA012S4        |                 |
|--|-----------------|-----------------|-----------------|-----------------|
| Nominal Size - Tons                                  | 0.75            |                 | 1               |                 |
| Power Supply - 60 hz - 1 phase                       | 115V            | 208/230V        | 115V            | 208/230V        |
| Rated load amps                                      | 0.7             | 0.06            | 0.7             | 0.06            |
| Output (W)   | 20              | 20              | 20              | 20              |
| Room Temperature Range (°F)                          | Cooling         | 62 - 90         | 62 - 90         | 62 - 90         |
|  | Heating         | 32 - 86         | 32 - 86         | 32 - 86         |
| Air Volume - cfm (High/Medium/Low)                   | 247 / 182 / 129 | 309 / 285 / 187 | 294 / 212 / 171 | 324 / 282 / 212 |
| Sound Data (dBA) - Low/Medium/High                   | 38 / 32 / 25    | 38 / 32 / 25    | 38 / 30 / 28    | 38 / 32 / 24    |
| Piping Connections - Liquid/Gas - o.d. - flare - in. | 1/4 / 3/8       | 1/4 / 3/8       | 1/4 / 1/2       | 1/4 / 1/2       |
| Drain connection o.d. - in.                          | 1               | 1               | 1               | 1               |
| Net/Shipping weights - lbs.                          | 18 / 23         | 18 / 23         | 19 / 25         | 19 / 25         |

**SPECIFICATIONS - WALL-MOUNTED INDOOR UNITS**
**018-024**

| Indoor Unit Model No.                                | MWA018S4        | MWA024S4        |
|--|-----------------|-----------------|
| Nominal Size - Tons                                  | 1.5             | 2               |
| Power Supply - 60 hz - 1 phase                       | 208/230V        | 208/230V        |
| Rated load amps                                      | 0.11            | 0.37            |
| Output (W)   | 30              | 60              |
| Room Temperature Range (°F)                          | Cooling         | 62 - 90         |
|  | Heating         | 32 - 86         |
| Air Volume - cfm (High/Medium/Low)                   | 449 / 393 / 262 | 706 / 588 / 450 |
| Sound Data (dBA) - Low/Medium/High                   | 43 / 35 / 30.5  | 48 / 42.5 / 34  |
| Piping Connections - Liquid/Gas - o.d. - flare - in. | 1/4 / 1/2       | 3/8 / 5/8       |
| Drain connection o.d. - in.                          | 1               | 1               |
| Net/Shipping weights - lbs.                          | 25 / 33         | 31 / 40         |

**AHRI SYSTEM MATCHES**

| Indoor Unit Type        | Outdoor Unit | Indoor Unit | Cooling Capacity | SEER | EER  | Heat Capacity |        | HSPF (IV) | AHRI Reference |
|-------------------------|--------------|-------------|------------------|------|------|---------------|--------|-----------|----------------|
|                         |              |             |                  |      |      | High          | Low    |           |                |
| Wall-Mounted Non-Ducted | MHA009S4S-1L | MWA009S4-1L | 9000             | 19   | 11.5 | 10,000        | 6000   | 10        | 204014488      |
|                         | MHA009S4S-1P | MWA009S4-1P | 9000             | 18   | 11   | 9000          | 6000   | 9.5       | 204014490      |
|                         | MHA012S4S-1L | MWA012S4-1L | 12,000           | 19   | 10.5 | 12,000        | 7500   | 9.5       | 204014489      |
|                         | MHA012S4S-1P | MWA012S4-1P | 12,000           | 19   | 11   | 12,000        | 6800   | 9.5       | 204014491      |
|                         | MHA018S4S-1P | MWA018S4-1P | 18,000           | 19   | 11   | 18,000        | 11,000 | 10        | 204014492      |
|                         | MHA024S4S-1P | MWA024S4-1P | 24,000           | 17   | 9.5  | 24,000        | 14,400 | 9.5       | 204014493      |

Ratings are AHRI certified to AHRI Standard 210/240 with Addenda 1 and 2;

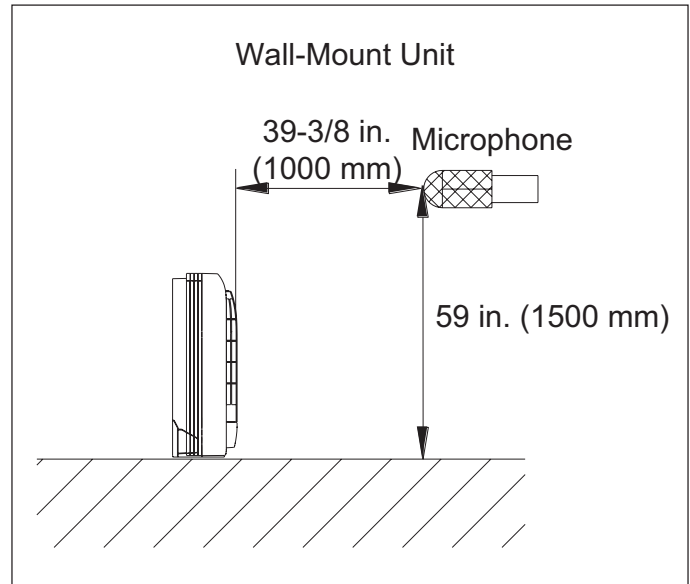
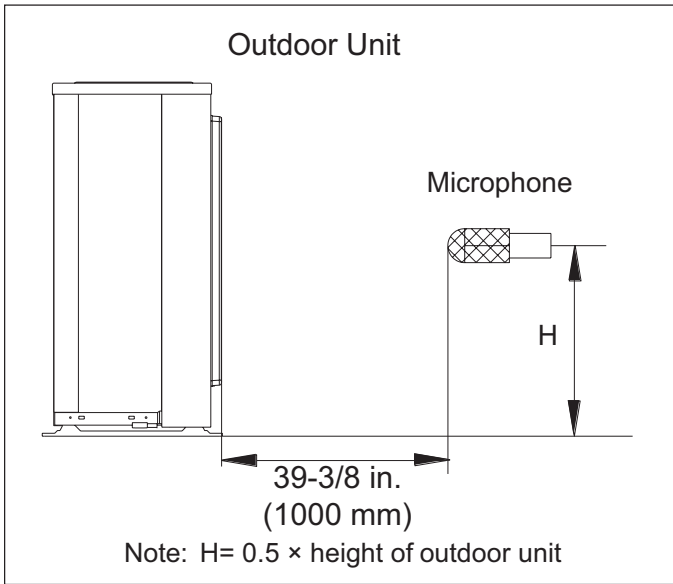
- Cooling Ratings - 80°F dry bulb/67°F wet bulb entering indoor coil air and 95°F wet bulb/75°F dry bulb outdoor air temperature.
- High Temperature Heating Ratings - 70°F dry bulb/60°F wet bulb entering indoor coil air and 47°F dry bulb/43°F wet bulb outdoor air temperature.
- Low Temperature Heating Ratings - 70°F dry bulb/60°F wet bulb entering indoor coil air and 17°F dry bulb/15°F wet bulb outdoor air temperature.

To convert HSPF from Region IV to Region V - Divide by 1.15.

## OPTIONAL ACCESSORIES - ORDER SEPARATELY

| Description   | Catalog No.  | Size         |     |     |     |
|---|--|--------------|-----|-----|-----|
|   |  | 09           | 12  | 18  | 24  |
| <b>OUTDOOR UNIT</b>   |  |              |     |     |     |
| Condenser Pad (18 x 38 x 3)   | <b>Y5014</b>   | •            | •   | •   | •   |
| Disconnects   | 30 amp, fused, 1 ph  | <b>27P37</b> | •   | •   | •   |
|   | 60 amp, non-fused, 1 ph  | <b>27P39</b> | •   | •   | •   |
| Fuses   | 30A  | <b>83P75</b> | •   | •   | •   |
|   | 60A  | <b>83P77</b> | •   | •   | •   |
| Hail Guards   | M9GARD19Q-1  | <b>15D32</b> | •   | N/A |     |
|   | M9GARD14Q-1  | <b>15D25</b> | N/A | •   | N/A |
|   | M9GARD15Q-1  | <b>15D26</b> | N/A |     | •   |
| Line Sets   | 1/4 in. x 3/8 in. x 25 ft.                                       | <b>90X53</b> | •   | N/A |     |
|   | 1/4 in. x 3/8 in. x 50 ft.                                       | <b>X0258</b> | •   | N/A |     |
|   | 1/4 in. x 1/2 in. x 25 ft.                                       | <b>90X52</b> | N/A | •   | N/A |
|   | 1/4 in. x 1/2 in. x 50 ft.                                       | <b>X0259</b> | N/A | •   | N/A |
|   | 3/8 in. x 5/8 in. x 25 ft.                                       | <b>X8406</b> | N/A |     | •   |
|   | 3/8 in. x 5/8 in. x 50 ft.                                       | <b>X8407</b> | N/A |     | •   |
| Wall Brackets   | 30 inch  | <b>X1727</b> | •   | •   | •   |
| Whips   | 10 Gauge - 1/2 in. x 6 ft.                                       | <b>29P54</b> | •   | •   | •   |
|   | 8 Gauge - 3/4 in. x 6 ft.  | <b>27P44</b> | •   | •   | •   |
| <b>INDOOR UNIT</b>  |  |              |     |     |     |
| <sup>1</sup> Diversitech Condensate Pumps with Reservoir                | ClearVue Mini™ - 7.9 US gallons per hour, 35 ft. lift - 120/240V | <b>Y5170</b> | •   | •   | •   |
|   | Mini-Split Pump - 4 US gallons per hour, 20 ft. lift - 115V      | <b>Y7946</b> | N/A | •   | N/A |
|   | Mini-Split Pump - 4 US gallons per hour, 20 ft. lift - 230V      | <b>Y7949</b> | •   | •   | •   |
| <sup>1</sup> Blue Diamond® Condensate Pumps with Reservoir              | MicroBlue® - 1.3 US gallons per hour, 6 ft. lift - 110v-230V     | <b>14T74</b> | •   | •   | N/A |
|   | MaxiBlue® - 3.7 US gallons per hour, 16.5 ft. lift - 208-230V    | <b>14T69</b> | N/A |     | •   |
|   | MultiTank Kit  | <b>14T75</b> | N/A |     | •   |
|   | Sensor Cable Extension - 16 ft.                                  | <b>14T76</b> | •   | •   | •   |
| A/C Easy Tee® Condensate Cleanout                                       |  | <b>Y7947</b> | •   | •   | •   |
| <b>CONTROLS</b>   |  |              |     |     |     |
| Wired Programmable Controller   | M0STAT64Q-1  | <b>15D30</b> | •   | •   | •   |
| Wired Non-Programmable Remote Controller                                | M0STAT61Q-1  | <b>14A66</b> | •   | •   | •   |
| Extension Cable for Wired Programmable Controller - 20 ft.              | M0CTRL64Q-1  | <b>Y8738</b> | •   | •   | •   |
| Indoor/Outdoor Wiring Cable - 14 Gauge, 4 conductor wire, THHN, 250 ft. |  | <b>Y2067</b> | •   | •   | •   |
| <b>SPEEDICHANNEL™ SYSTEM</b>  |  |              |     |     |     |
| SpeediChannel™ Starter Kit - 4 in.                                      |  | <b>Y3387</b> | •   | •   | •   |
| SpeediChannel - 4 in. x 6-1/2 ft. (qty. 6)                              |  | <b>Y3388</b> | •   | •   | •   |
| Union Coupling - 4 in.  |  | <b>Y3389</b> | •   | •   | •   |
| 90° Flat Bend Elbow - 4 in.   |  | <b>Y3390</b> | •   | •   | •   |
| 90° Inside Elbow - 4 in.  |  | <b>Y3391</b> | •   | •   | •   |
| 45° Flat Bend Elbow - 4 in.   |  | <b>Y3392</b> | •   | •   | •   |
| Flex Joint - 4 in.  |  | <b>Y3393</b> | •   | •   | •   |
| T-Joint - 4 in.   |  | <b>Y3394</b> | •   | •   | •   |
| Duct End - 4 in.  |  | <b>Y3395</b> | •   | •   | •   |
| Flat Wall Escutcheon - 4 in.  |  | <b>Y3396</b> | •   | •   | •   |
| Wall Penetration Cover - 4 in.  |  | <b>Y3399</b> | •   | •   | •   |
| Mount Block (White) Qty, 2 - 14 in.                                     |  | <b>Y3397</b> | •   | •   | •   |
| Mount Block (White) Qty, 2 - 36 in.                                     |  | <b>Y3398</b> | •   | •   | •   |

<sup>1</sup> Y7946, Y7949 and 14T74 condensate pumps can be installed inside the indoor units. All other pumps must be installed external to the indoor unit.



**COOLING CAPACITY****009 (115V)**

| Outdoor Temperature - °F (Dry Bulb) | Indoor Temperature - °F (Dry Bulb / Wet Bulb) |                |             |                |             |                |             |                |
|-------------------------------------|---|----------------|-------------|----------------|-------------|----------------|-------------|----------------|
|                                     | 65°F / 54°F                                   |                | 70°F / 59°F |                | 75°F / 63°F |                | 80°F / 67°F |                |
|                                     | Total mBtuh                                   | Sensible mBtuh | Total mBtuh | Sensible mBtuh | Total mBtuh | Sensible mBtuh | Total mBtuh | Sensible mBtuh |
| 5                                   | 8.99  | 6.21           | 9.56        | 6.61           | 9.93        | 6.82           | 10.39       | 7.17           |
| 15                                  | 9.03  | 6.39           | 9.61        | 6.80           | 10.08       | 7.19           | 10.50       | 7.42           |
| 25                                  | 9.22  | 6.54           | 9.65        | 6.84           | 10.23       | 7.28           | 10.60       | 7.60           |
| 35                                  | 9.37  | 6.57           | 9.74        | 6.84           | 10.23       | 7.26           | 10.71       | 7.56           |
| 45                                  | 9.30  | 6.85           | 9.95        | 7.33           | 10.43       | 7.80           | 10.81       | 7.94           |
| 55                                  | 9.50  | 7.33           | 9.99        | 7.71           | 10.43       | 7.90           | 10.92       | 8.27           |
| 65                                  | 9.65  | 6.82           | 10.14       | 7.17           | 10.64       | 7.52           | 11.02       | 7.79           |
| 75                                  | 9.57  | 6.88           | 10.18       | 7.32           | 10.63       | 7.64           | 11.13       | 8.00           |
| 85                                  | 9.77  | 7.12           | 10.22       | 7.44           | 10.78       | 7.85           | 11.23       | 8.18           |
| 95                                  | 9.89  | 6.94           | 10.35       | 7.25           | 10.91       | 7.65           | 11.31       | 7.93           |
| 105                                 | 9.29  | 6.74           | 9.78        | 7.09           | 10.26       | 7.44           | 10.74       | 7.79           |
| 110                                 | 8.59  | 6.70           | 9.09        | 7.09           | 9.64        | 7.52           | 9.99        | 7.79           |
| 115                                 | 8.08  | 6.87           | 8.55        | 7.27           | 8.87        | 7.54           | 9.29        | 7.90           |
| 122                                 | 7.48  | 6.66           | 7.78        | 6.92           | 8.16        | 7.26           | 8.55        | 7.61           |

**HEATING CAPACITY****009 (115V)**

| Outdoor Temperature - °F (Dry Bulb) | Indoor Temperature - °F (Dry Bulb) |             |             |             |
|-------------------------------------|------------------------------------|-------------|-------------|-------------|
|                                     | 60°F                               | 65°F        | 70°F        | 75°F        |
|                                     | Total mBtuh                        | Total mBtuh | Total mBtuh | Total mBtuh |
| 5                                   | 6.90                               | 6.70        | 6.32        | 6.07        |
| 17                                  | 8.23                               | 7.95        | 7.53        | 7.26        |
| 19.4                                | 8.57                               | 8.23        | 7.83        | 7.55        |
| 24.8                                | 8.97                               | 8.62        | 8.19        | 7.86        |
| 32                                  | 9.33                               | 9.01        | 8.54        | 8.20        |
| 35                                  | 9.68                               | 9.35        | 8.84        | 8.53        |
| 39.2                                | 10.50                              | 10.21       | 9.64        | 9.16        |
| 44.6                                | 11.71                              | 11.39       | 10.74       | 10.21       |
| 47                                  | 12.79                              | 12.33       | 11.68       | 11.03       |
| 53.6                                | 13.77                              | 13.28       | 12.56       | 12.00       |
| 57                                  | 14.21                              | 13.76       | 13.00       | 12.48       |

**COOLING CAPACITY**

**009 (208/230V)**

| Outdoor Temperature - °F (Dry Bulb) | Indoor Temperature - °F (Dry Bulb / Wet Bulb) |                |             |                |             |                |             |                |
|-------------------------------------|---|----------------|-------------|----------------|-------------|----------------|-------------|----------------|
|                                     | 65°F / 54°F                                   |                | 70°F / 59°F |                | 75°F / 63°F |                | 80°F / 67°F |                |
|                                     | Total mBtuh                                   | Sensible mBtuh | Total mBtuh | Sensible mBtuh | Total mBtuh | Sensible mBtuh | Total mBtuh | Sensible mBtuh |
| 5                                   | 8.42  | 6.03           | 8.93        | 6.47           | 9.64        | 6.91           | 10.15       | 7.26           |
| 15                                  | 8.50  | 6.22           | 9.12        | 6.74           | 9.89        | 7.24           | 10.30       | 7.54           |
| 25                                  | 8.73  | 5.94           | 9.20        | 6.20           | 9.93        | 6.76           | 10.46       | 7.04           |
| 35                                  | 8.97  | 6.18           | 9.39        | 6.44           | 10.08       | 6.95           | 10.61       | 7.33           |
| 45                                  | 9.04  | 6.17           | 9.42        | 6.45           | 10.23       | 6.98           | 10.77       | 7.31           |
| 55                                  | 9.12  | 6.63           | 9.61        | 6.99           | 10.49       | 7.62           | 10.92       | 7.90           |
| 65                                  | 9.25  | 6.74           | 9.75        | 7.10           | 10.52       | 7.66           | 11.08       | 8.07           |
| 75                                  | 9.50  | 6.66           | 9.95        | 6.97           | 10.62       | 7.45           | 11.24       | 7.88           |
| 85                                  | 9.58  | 6.81           | 10.04       | 7.09           | 10.84       | 7.71           | 11.41       | 8.04           |
| 95                                  | 9.71  | 7.15           | 10.29       | 7.58           | 10.99       | 8.09           | 11.62       | 8.69           |
| 105                                 | 9.12  | 7.12           | 9.62        | 7.50           | 10.38       | 8.10           | 10.93       | 8.52           |
| 110                                 | 8.58  | 7.29           | 9.09        | 7.73           | 9.71        | 8.25           | 10.27       | 8.73           |
| 115                                 | 8.01  | 7.13           | 8.50        | 7.56           | 9.17        | 8.16           | 9.66        | 8.59           |
| 122                                 | 7.43  | 6.83           | 7.87        | 7.24           | 8.54        | 7.85           | 8.89        | 8.18           |

**HEATING CAPACITY**

**009 (208/230V)**

| Outdoor Temperature - °F (Dry Bulb) | Indoor Temperature - °F (Dry Bulb) |             |             |             |
|-------------------------------------|------------------------------------|-------------|-------------|-------------|
|                                     | 60°F                               | 65°F        | 70°F        | 75°F        |
|                                     | Total mBtuh                        | Total mBtuh | Total mBtuh | Total mBtuh |
| 5                                   | 8.96                               | 8.69        | 8.23        | 7.94        |
| 17                                  | 10.80                              | 10.48       | 9.91        | 9.52        |
| 19.4                                | 10.86                              | 10.53       | 9.96        | 9.56        |
| 24.8                                | 10.94                              | 10.61       | 10.02       | 9.67        |
| 32                                  | 10.98                              | 10.67       | 10.07       | 9.56        |
| 35                                  | 11.10                              | 10.73       | 10.16       | 9.60        |
| 39.2                                | 11.61                              | 11.23       | 10.62       | 10.14       |
| 44.6                                | 12.56                              | 12.14       | 11.47       | 11.01       |
| 47                                  | 13.11                              | 12.58       | 11.96       | 11.54       |
| 53.6                                | 13.55                              | 13.00       | 12.35       | 11.86       |
| 57                                  | 13.82                              | 13.34       | 12.66       | 12.03       |



**COOLING CAPACITY****012 (115V)**

| Outdoor Temperature - °F (Dry Bulb) | Indoor Temperature - °F (Dry Bulb / Wet Bulb) |                |             |                |             |                |             |                |
|-------------------------------------|---|----------------|-------------|----------------|-------------|----------------|-------------|----------------|
|                                     | 65°F / 54°F                                   |                | 70°F / 59°F |                | 75°F / 63°F |                | 80°F / 67°F |                |
|                                     | Total mBtuh                                   | Sensible mBtuh | Total mBtuh | Sensible mBtuh | Total mBtuh | Sensible mBtuh | Total mBtuh | Sensible mBtuh |
| 5                                   | 10.91   | 7.54           | 11.60       | 8.02           | 12.04       | 8.28           | 12.61       | 8.70           |
| 15                                  | 10.99   | 7.78           | 11.69       | 8.28           | 12.26       | 8.75           | 12.77       | 9.03           |
| 25                                  | 11.24   | 7.97           | 11.76       | 8.34           | 12.47       | 8.88           | 12.92       | 9.25           |
| 35                                  | 11.46   | 8.04           | 11.92       | 8.36           | 12.51       | 8.88           | 13.10       | 9.25           |
| 45                                  | 11.36   | 8.37           | 12.15       | 8.95           | 12.75       | 9.53           | 13.21       | 9.70           |
| 55                                  | 11.55   | 8.91           | 12.14       | 9.37           | 12.68       | 9.60           | 13.27       | 10.05          |
| 65                                  | 11.52   | 8.14           | 12.12       | 8.56           | 12.71       | 8.98           | 13.17       | 9.31           |
| 75                                  | 11.53   | 8.29           | 12.26       | 8.82           | 12.80       | 9.20           | 13.40       | 9.64           |
| 85                                  | 11.28   | 8.22           | 11.80       | 8.59           | 12.45       | 9.07           | 12.97       | 9.44           |
| 95                                  | 10.96   | 7.69           | 11.46       | 8.04           | 12.09       | 8.48           | 12.53       | 8.78           |
| 105                                 | 10.08   | 7.31           | 10.60       | 7.69           | 11.13       | 8.07           | 11.65       | 8.45           |
| 110                                 | 9.27  | 7.23           | 9.81        | 7.65           | 10.40       | 8.11           | 10.78       | 8.41           |
| 115                                 | 8.72  | 7.41           | 9.22        | 7.84           | 9.57        | 8.14           | 10.02       | 8.52           |
| 122                                 | 7.98  | 7.10           | 8.30        | 7.39           | 8.71        | 7.75           | 9.12        | 8.12           |

**HEATING CAPACITY****012 (115V)**

| Outdoor Temperature - °F (Dry Bulb) | Indoor Temperature - °F (Dry Bulb) |             |             |             |
|-------------------------------------|------------------------------------|-------------|-------------|-------------|
|                                     | 60°F                               | 65°F        | 70°F        | 75°F        |
|                                     | Total mBtuh                        | Total mBtuh | Total mBtuh | Total mBtuh |
| 5                                   | 7.13                               | 6.89        | 6.47        | 6.21        |
| 17                                  | 8.50                               | 8.21        | 7.70        | 7.39        |
| 19.4                                | 8.96                               | 8.70        | 8.15        | 7.86        |
| 24.8                                | 9.70                               | 9.42        | 8.81        | 8.37        |
| 32                                  | 10.42                              | 10.05       | 9.46        | 8.94        |
| 35                                  | 11.21                              | 10.81       | 10.16       | 9.71        |
| 39.2                                | 11.75                              | 11.36       | 10.66       | 10.18       |
| 44.6                                | 12.65                              | 12.22       | 11.46       | 11.01       |
| 47                                  | 13.37                              | 12.90       | 12.11       | 11.69       |
| 53.6                                | 13.94                              | 13.51       | 12.67       | 12.23       |
| 57                                  | 14.37                              | 13.92       | 13.05       | 12.53       |

**COOLING CAPACITY****012 (208/230V)**

| Outdoor Temperature - °F (Dry Bulb) | Indoor Temperature - °F (Dry Bulb / Wet Bulb) |                |             |                |             |                |             |                |
|-------------------------------------|---|----------------|-------------|----------------|-------------|----------------|-------------|----------------|
|                                     | 65°F / 54°F                                   |                | 70°F / 59°F |                | 75°F / 63°F |                | 80°F / 67°F |                |
|                                     | Total mBtuh                                   | Sensible mBtuh | Total mBtuh | Sensible mBtuh | Total mBtuh | Sensible mBtuh | Total mBtuh | Sensible mBtuh |
| 5                                   | 10.33   | 7.43           | 10.89       | 7.83           | 11.77       | 8.46           | 12.45       | 8.95           |
| 15                                  | 10.35   | 7.54           | 10.92       | 7.95           | 11.73       | 8.55           | 12.55       | 9.14           |
| 25                                  | 10.44   | 7.32           | 10.95       | 7.67           | 11.90       | 8.34           | 12.66       | 8.87           |
| 35                                  | 10.68   | 7.74           | 11.13       | 8.07           | 12.08       | 8.76           | 12.79       | 9.27           |
| 45                                  | 10.64   | 7.86           | 11.09       | 8.20           | 12.05       | 8.91           | 12.82       | 9.48           |
| 55                                  | 10.78   | 7.84           | 11.24       | 8.17           | 12.35       | 8.98           | 13.07       | 9.50           |
| 65                                  | 11.06   | 8.05           | 11.66       | 8.49           | 12.59       | 9.17           | 13.32       | 9.70           |
| 75                                  | 11.20   | 7.85           | 11.81       | 8.28           | 12.69       | 8.90           | 13.57       | 9.51           |
| 85                                  | 11.40   | 8.06           | 11.96       | 8.45           | 12.99       | 9.18           | 13.82       | 9.77           |
| 95                                  | 11.60   | 9.05           | 12.16       | 9.49           | 13.29       | 10.36          | 14.06       | 10.97          |
| 105                                 | 10.84   | 9.00           | 11.29       | 9.37           | 12.20       | 10.13          | 12.98       | 10.77          |
| 110                                 | 9.25  | 7.87           | 9.65        | 8.20           | 10.54       | 8.96           | 11.15       | 9.48           |
| 115                                 | 8.56  | 7.61           | 8.92        | 7.94           | 9.75        | 8.68           | 10.37       | 9.23           |
| 122                                 | 7.92  | 7.21           | 8.25        | 7.51           | 9.02        | 8.20           | 9.54        | 8.68           |

**HEATING CAPACITY****012 (208/230V)**

| Outdoor Temperature - °F (Dry Bulb) | Indoor Temperature - °F (Dry Bulb) |             |             |             |
|-------------------------------------|------------------------------------|-------------|-------------|-------------|
|                                     | 60°F                               | 65°F        | 70°F        | 75°F        |
|                                     | Total mBtuh                        | Total mBtuh | Total mBtuh | Total mBtuh |
| 5                                   | 8.74                               | 8.38        | 8.02        | 7.70        |
| 17                                  | 10.26                              | 9.86        | 9.43        | 8.96        |
| 19.4                                | 10.98                              | 10.54       | 10.08       | 9.68        |
| 24.8                                | 11.93                              | 11.45       | 10.94       | 10.56       |
| 32                                  | 12.86                              | 12.36       | 11.79       | 11.26       |
| 35                                  | 13.65                              | 13.09       | 12.50       | 12.00       |
| 39.2                                | 14.09                              | 13.58       | 12.96       | 12.50       |
| 44.6                                | 15.08                              | 14.54       | 13.86       | 13.30       |
| 47                                  | 15.79                              | 15.17       | 14.50       | 13.78       |
| 53.6                                | 16.37                              | 15.73       | 15.02       | 14.20       |
| 57                                  | 16.88                              | 16.22       | 15.47       | 14.70       |

**COOLING CAPACITY****018 (208/230V)**

| Outdoor Temperature - °F (Dry Bulb) | Indoor Temperature - °F (Dry Bulb / Wet Bulb) |                |             |                |             |                |             |                |
|-------------------------------------|---|----------------|-------------|----------------|-------------|----------------|-------------|----------------|
|                                     | 65°F / 54°F                                   |                | 70°F / 59°F |                | 75°F / 63°F |                | 80°F / 67°F |                |
|                                     | Total mBtuh                                   | Sensible mBtuh | Total mBtuh | Sensible mBtuh | Total mBtuh | Sensible mBtuh | Total mBtuh | Sensible mBtuh |
| 5                                   | 16.98   | 12.31          | 17.97       | 13.03          | 18.87       | 13.67          | 19.86       | 14.39          |
| 15                                  | 17.00   | 12.75          | 18.00       | 13.50          | 18.90       | 14.18          | 20.00       | 15.00          |
| 25                                  | 16.68   | 11.92          | 17.96       | 12.83          | 18.75       | 13.40          | 19.74       | 14.10          |
| 35                                  | 16.75   | 11.75          | 17.63       | 12.36          | 18.40       | 12.91          | 19.48       | 13.66          |
| 45                                  | 16.54   | 12.04          | 17.41       | 12.67          | 18.38       | 13.37          | 19.35       | 14.08          |
| 55                                  | 16.33   | 11.84          | 17.20       | 12.46          | 18.06       | 13.09          | 19.22       | 13.93          |
| 65                                  | 16.13   | 11.60          | 17.27       | 12.42          | 18.04       | 12.97          | 19.09       | 13.72          |
| 75                                  | 16.21   | 11.80          | 17.06       | 12.43          | 18.01       | 13.12          | 18.96       | 13.81          |
| 85                                  | 16.00   | 11.82          | 16.85       | 12.45          | 17.79       | 13.15          | 18.83       | 13.91          |
| 95                                  | 15.81   | 12.49          | 16.93       | 13.38          | 17.78       | 14.04          | 18.71       | 14.78          |
| 105                                 | 15.36   | 12.44          | 16.17       | 13.09          | 16.97       | 13.75          | 17.96       | 14.55          |
| 110                                 | 14.35   | 11.91          | 15.28       | 12.68          | 16.04       | 13.31          | 16.89       | 14.01          |
| 115                                 | 13.34   | 12.01          | 14.21       | 12.79          | 14.84       | 13.36          | 15.79       | 14.21          |
| 122                                 | 12.42   | 11.55          | 13.00       | 12.09          | 13.73       | 12.76          | 14.52       | 13.51          |

**HEATING CAPACITY****018 (208/230V)**

| Outdoor Temperature - °F (Dry Bulb) | Indoor Temperature - °F (Dry Bulb) |             |             |             |
|-------------------------------------|------------------------------------|-------------|-------------|-------------|
|                                     | 60°F                               | 65°F        | 70°F        | 75°F        |
|                                     | Total mBtuh                        | Total mBtuh | Total mBtuh | Total mBtuh |
| 5                                   | 10.25                              | 9.81        | 9.50        | 9.21        |
| 17                                  | 11.92                              | 11.42       | 11.04       | 10.54       |
| 19.4                                | 12.40                              | 11.90       | 11.49       | 10.97       |
| 24.8                                | 13.12                              | 12.60       | 12.15       | 11.67       |
| 32                                  | 13.84                              | 13.29       | 12.80       | 12.29       |
| 35                                  | 14.77                              | 14.23       | 13.70       | 13.22       |
| 39.2                                | 16.28                              | 15.58       | 15.05       | 14.45       |
| 44.6                                | 18.33                              | 17.54       | 16.93       | 16.08       |
| 47                                  | 19.81                              | 18.88       | 18.28       | 17.27       |
| 53.6                                | 21.20                              | 20.20       | 19.54       | 18.56       |
| 57                                  | 21.79                              | 20.85       | 20.12       | 19.32       |

**COOLING CAPACITY****024 (208/230V)**

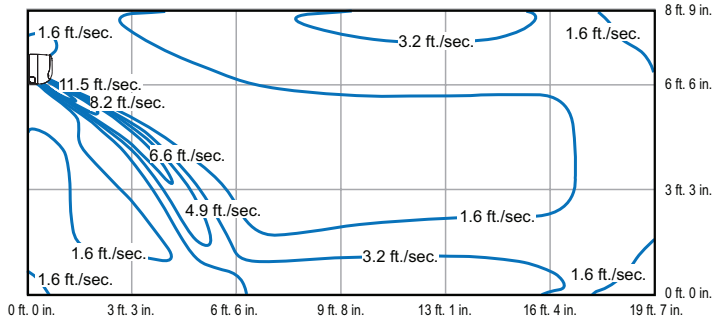
| Outdoor Temperature - °F (Dry Bulb) | Indoor Temperature - °F (Dry Bulb / Wet Bulb) |                |             |                |             |                |             |                |
|-------------------------------------|---|----------------|-------------|----------------|-------------|----------------|-------------|----------------|
|                                     | 65°F / 54°F                                   |                | 70°F / 59°F |                | 75°F / 63°F |                | 80°F / 67°F |                |
|                                     | Total mBtuh                                   | Sensible mBtuh | Total mBtuh | Sensible mBtuh | Total mBtuh | Sensible mBtuh | Total mBtuh | Sensible mBtuh |
| 5                                   | 21.53   | 17.12          | 23.08       | 18.36          | 24.25       | 19.25          | 25.94       | 20.46          |
| 15                                  | 21.18   | 17.10          | 22.98       | 18.55          | 24.01       | 19.29          | 25.68       | 20.55          |
| 25                                  | 21.22   | 16.54          | 22.36       | 17.43          | 23.63       | 18.36          | 25.41       | 19.45          |
| 35                                  | 20.90   | 16.27          | 22.29       | 17.35          | 23.55       | 18.34          | 25.18       | 19.31          |
| 45                                  | 20.59   | 15.52          | 22.21       | 16.75          | 23.33       | 17.59          | 24.95       | 18.82          |
| 55                                  | 20.64   | 14.98          | 22.13       | 16.06          | 22.99       | 16.68          | 24.72       | 17.94          |
| 65                                  | 20.33   | 14.66          | 21.80       | 15.72          | 22.90       | 16.51          | 24.49       | 17.66          |
| 75                                  | 20.02   | 15.92          | 21.72       | 17.27          | 22.69       | 18.04          | 24.26       | 19.30          |
| 85                                  | 20.17   | 16.28          | 21.25       | 17.16          | 22.46       | 18.13          | 24.15       | 19.50          |
| 95                                  | 19.95   | 15.55          | 21.28       | 16.58          | 22.48       | 17.52          | 24.04       | 18.73          |
| 105                                 | 18.94   | 14.75          | 20.43       | 15.91          | 21.47       | 16.71          | 22.96       | 17.88          |
| 110                                 | 18.02   | 14.67          | 19.32       | 15.72          | 20.18       | 16.34          | 21.58       | 17.33          |
| 115                                 | 16.75   | 15.44          | 17.96       | 16.56          | 18.77       | 17.08          | 20.18       | 18.29          |
| 122                                 | 15.32   | 14.68          | 16.62       | 15.93          | 17.36       | 16.64          | 18.56       | 17.80          |

**HEATING CAPACITY****024 (208/230V)**

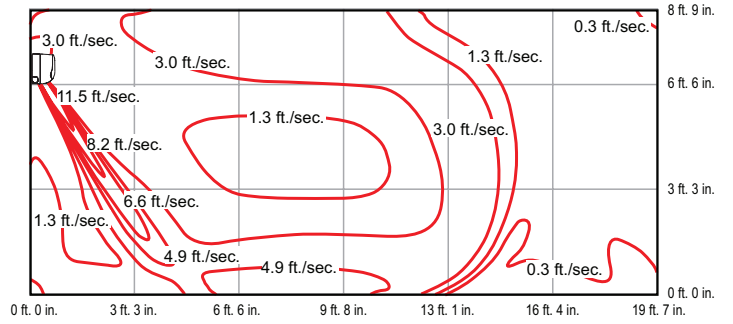
| Outdoor Temperature - °F (Dry Bulb) | Indoor Temperature - °F (Dry Bulb) |             |             |             |
|-------------------------------------|------------------------------------|-------------|-------------|-------------|
|                                     | 60°F                               | 65°F        | 70°F        | 75°F        |
|                                     | Total mBtuh                        | Total mBtuh | Total mBtuh | Total mBtuh |
| 5                                   | 17.95                              | 17.20       | 16.67       | 16.00       |
| 17                                  | 21.14                              | 20.26       | 19.61       | 18.53       |
| 19.4                                | 21.54                              | 20.60       | 19.96       | 18.96       |
| 24.8                                | 22.07                              | 21.09       | 20.44       | 19.52       |
| 32                                  | 22.55                              | 21.59       | 20.90       | 20.06       |
| 35                                  | 23.23                              | 22.24       | 21.51       | 20.75       |
| 39.2                                | 25.25                              | 24.15       | 23.36       | 22.42       |
| 44.6                                | 28.28                              | 27.15       | 26.24       | 25.32       |
| 47                                  | 29.63                              | 28.33       | 27.46       | 26.36       |
| 53.6                                | 30.72                              | 29.39       | 28.45       | 27.02       |
| 57                                  | 31.83                              | 30.44       | 29.44       | 27.82       |

# AIR THROW DATA

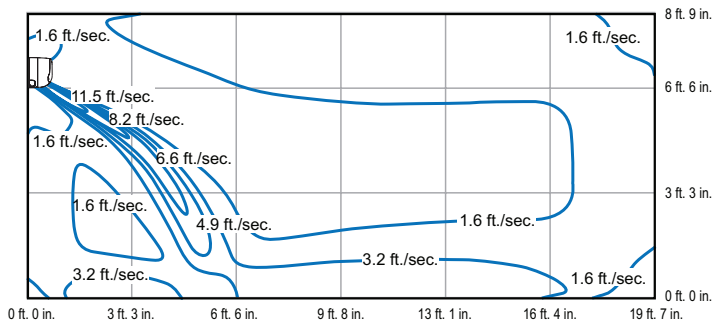
**MWHA009S4 - COOLING**



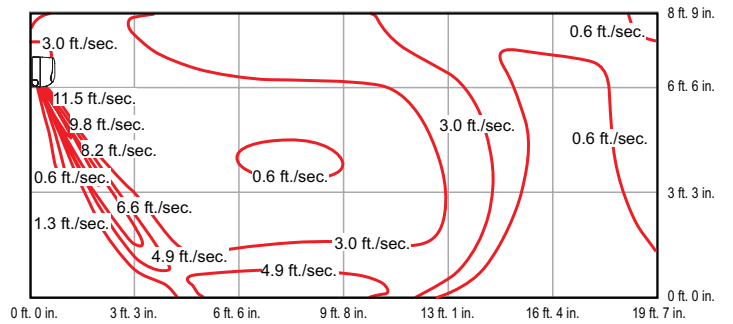
**MWHA009S4 - HEATING**



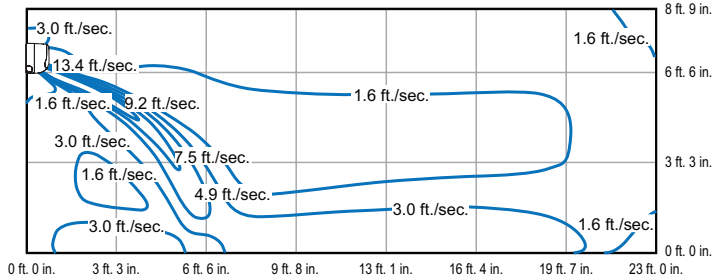
**MWHA012S4 - COOLING**



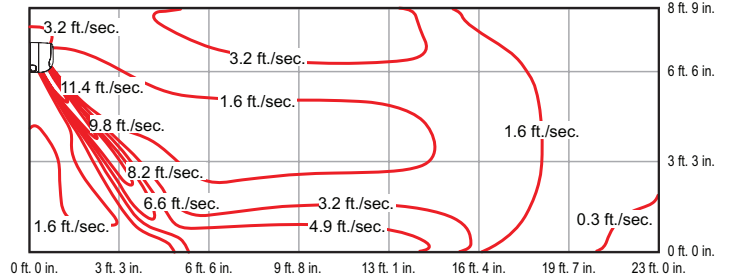
**MWHA012S4 - HEATING**



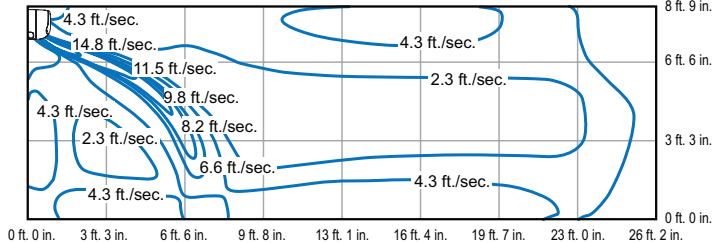
**MWHA018S4 - COOLING**



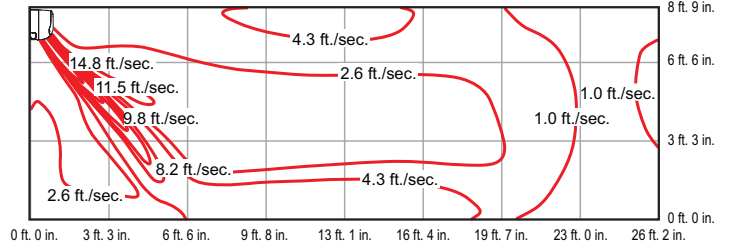
**MWHA018S4 - HEATING**



**MWHA024S4 - COOLING**

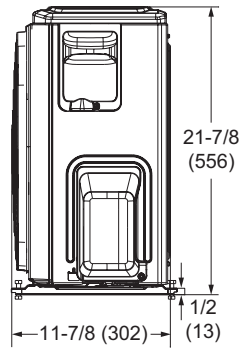


**MWHA024S4 - HEATING**

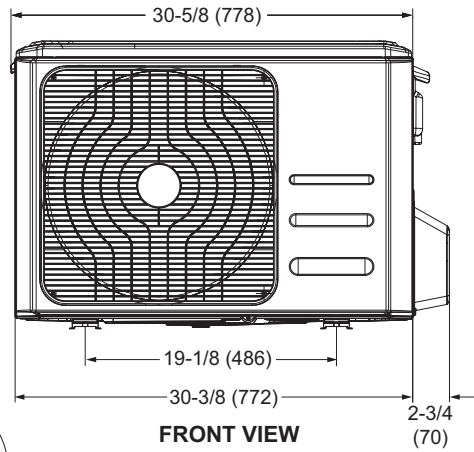


## DIMENSIONS - OUTDOOR UNITS

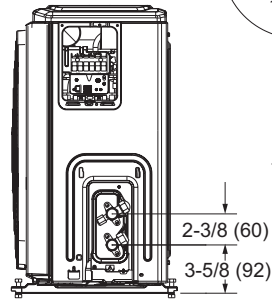
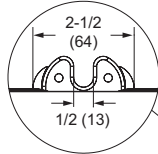
### MHA009S4S



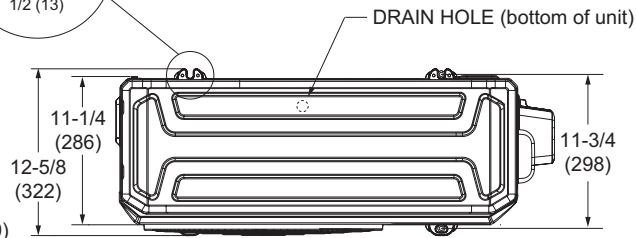
SIDE VIEW



FRONT VIEW



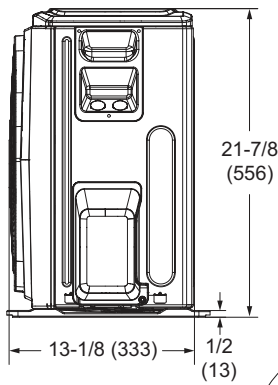
SIDE VIEW



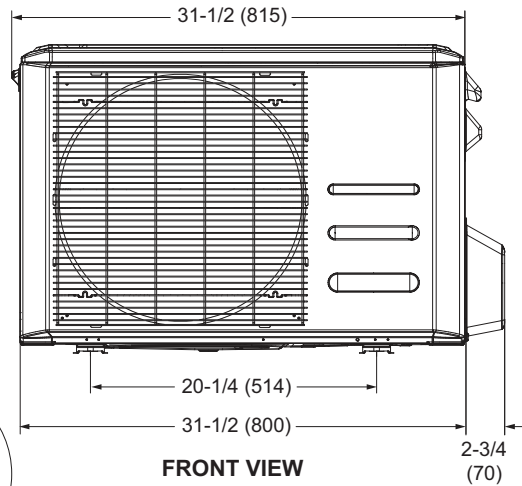
BOTTOM VIEW

DRAIN HOLE (bottom of unit)

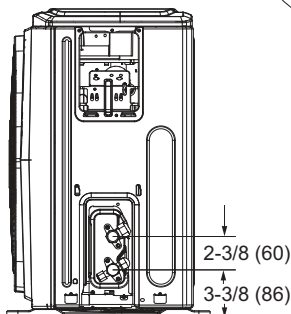
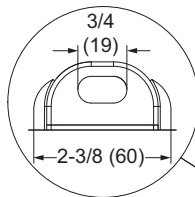
### MHA012S4S, MHA018S4S



SIDE VIEW



FRONT VIEW



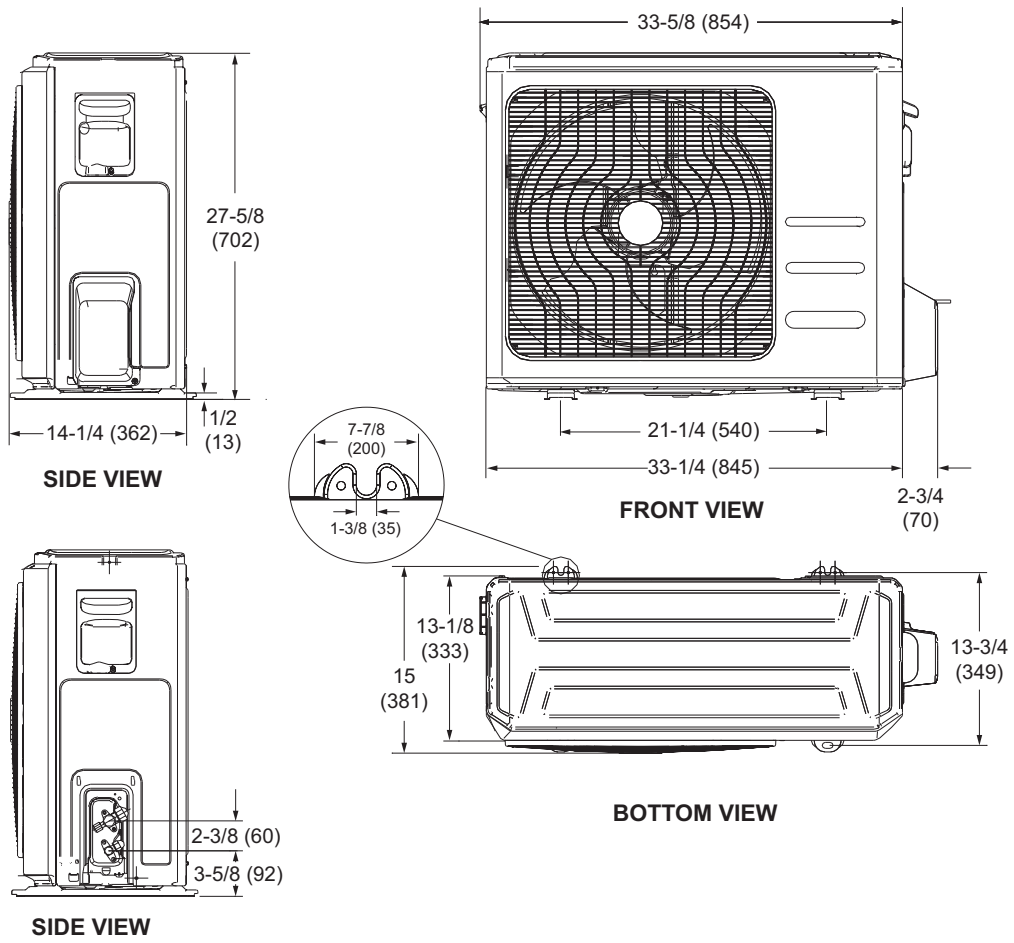
SIDE VIEW



BOTTOM VIEW

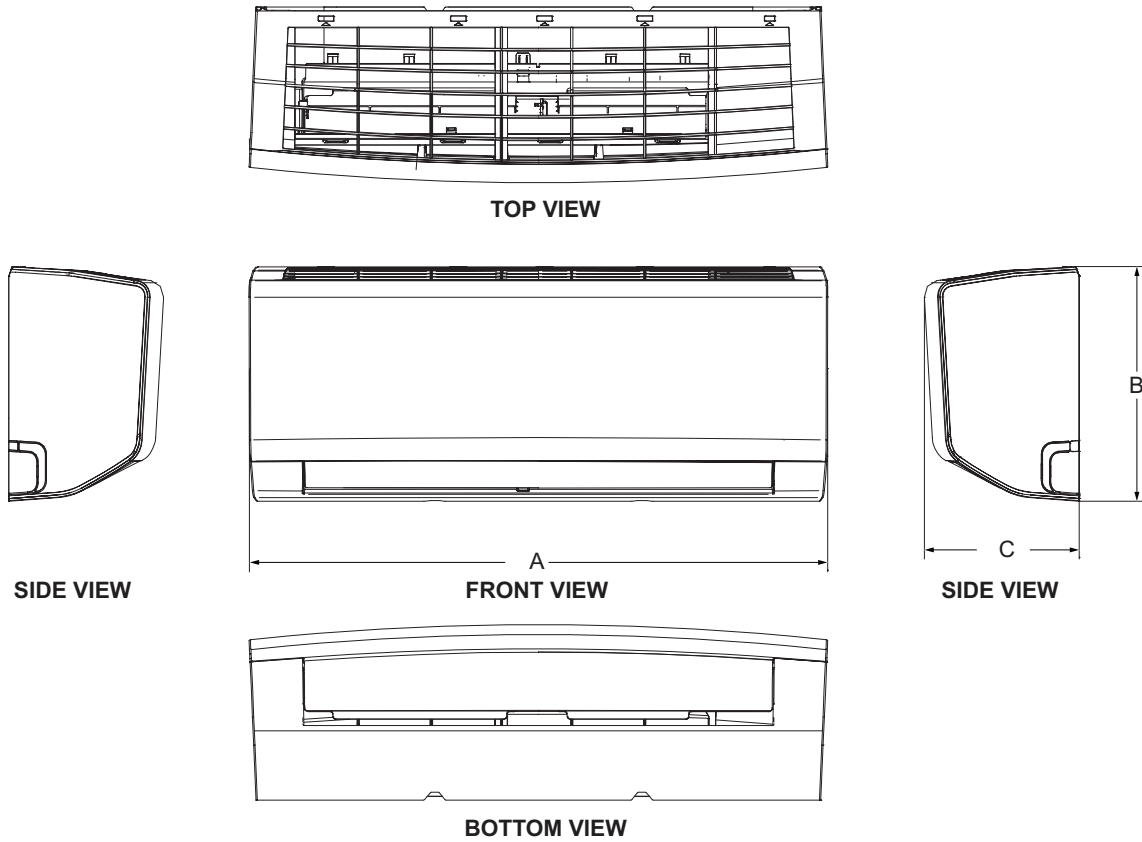
# DIMENSIONS - OUTDOOR UNITS

## MHA024S4S



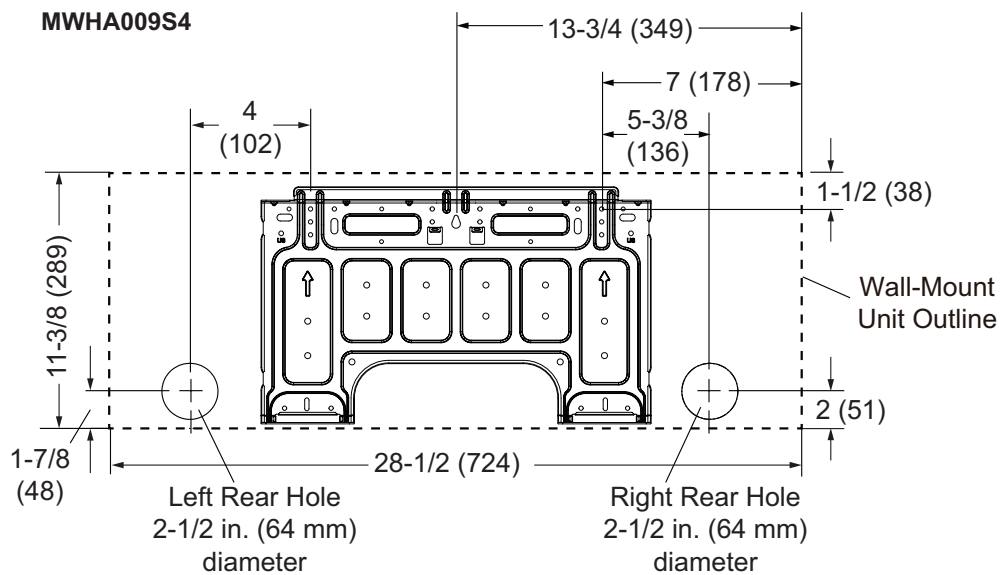
## DIMENSIONS - WALL-MOUNTED INDOOR UNITS

### MWHA009S4, MWHA012S4, MWHA018S4, MWHA024S4



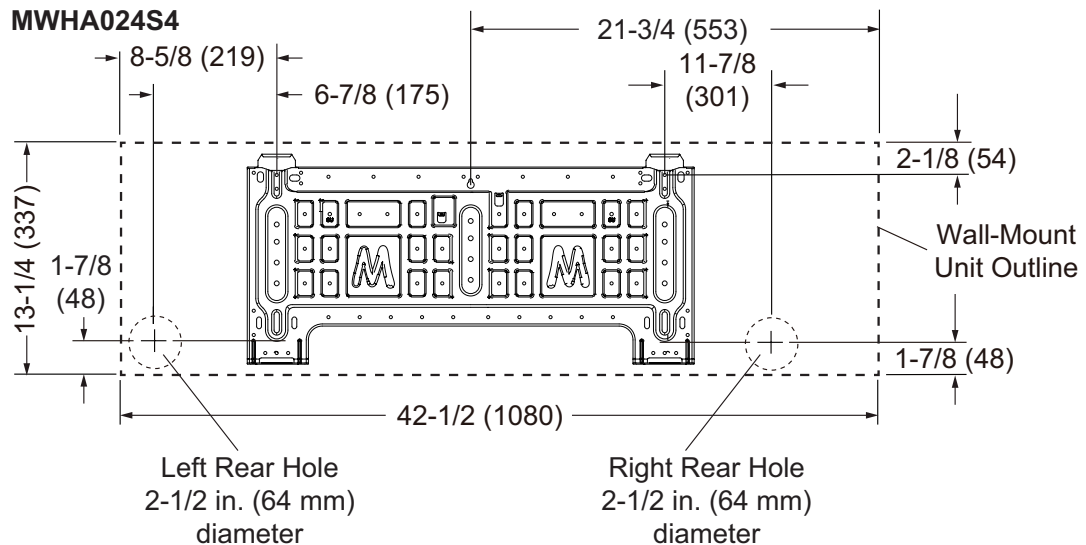
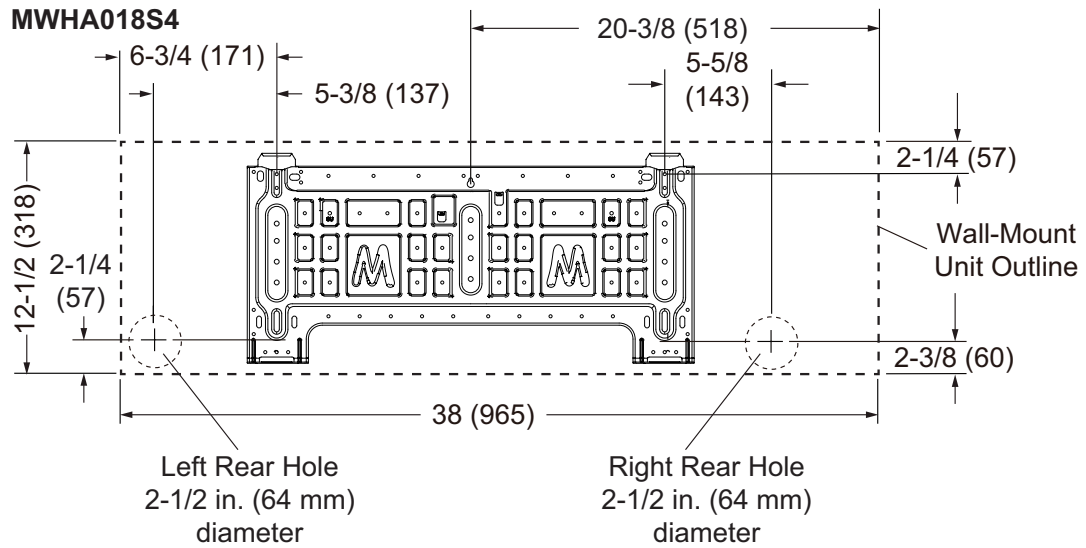
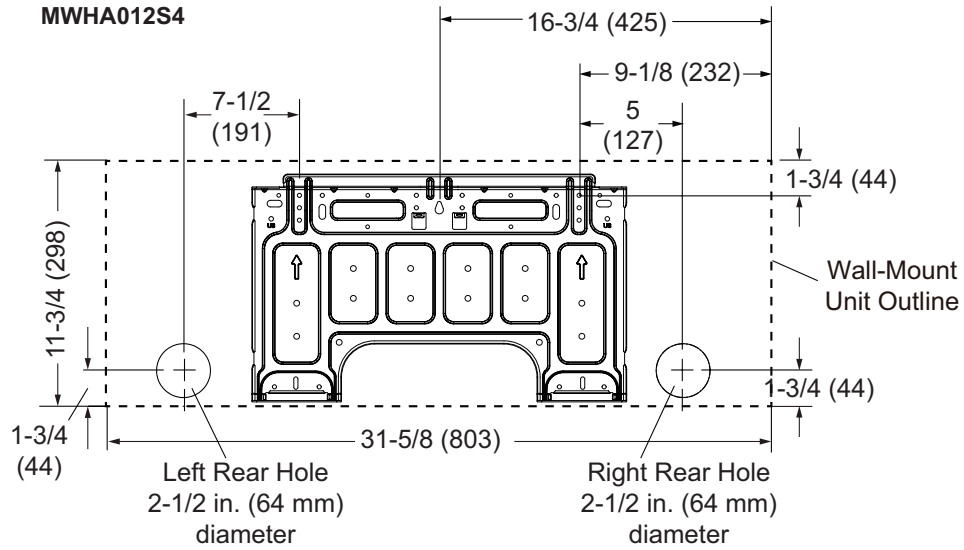
| Size      | A      |      | B      |     | C      |     |
|-----------|--------|------|--------|-----|--------|-----|
|           | in.    | mm   | in.    | mm  | in.    | mm  |
| MWHA009S4 | 29-5/8 | 752  | 11-3/8 | 289 | 8-5/8  | 219 |
| MWHA012S4 | 32-3/4 | 832  | 11-3/4 | 298 | 8-3/4  | 222 |
| MWHA018S4 | 39-1/8 | 994  | 12-1/2 | 318 | 9-7/8  | 251 |
| MWHA024S4 | 44     | 1118 | 13-1/4 | 337 | 10-1/4 | 260 |

## DIMENSIONS - WALL-MOUNTED INDOOR UNITS - WALL PLATES

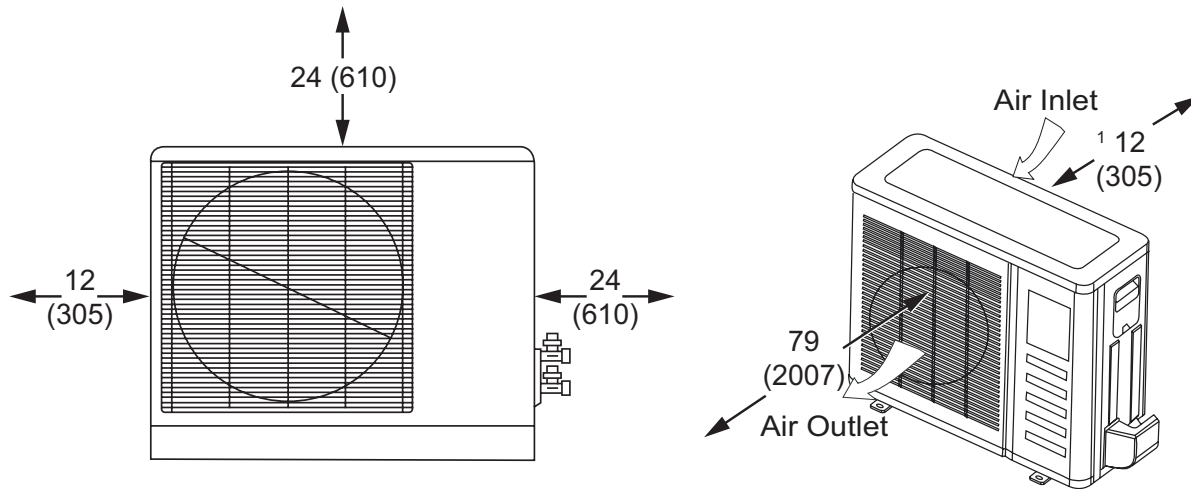




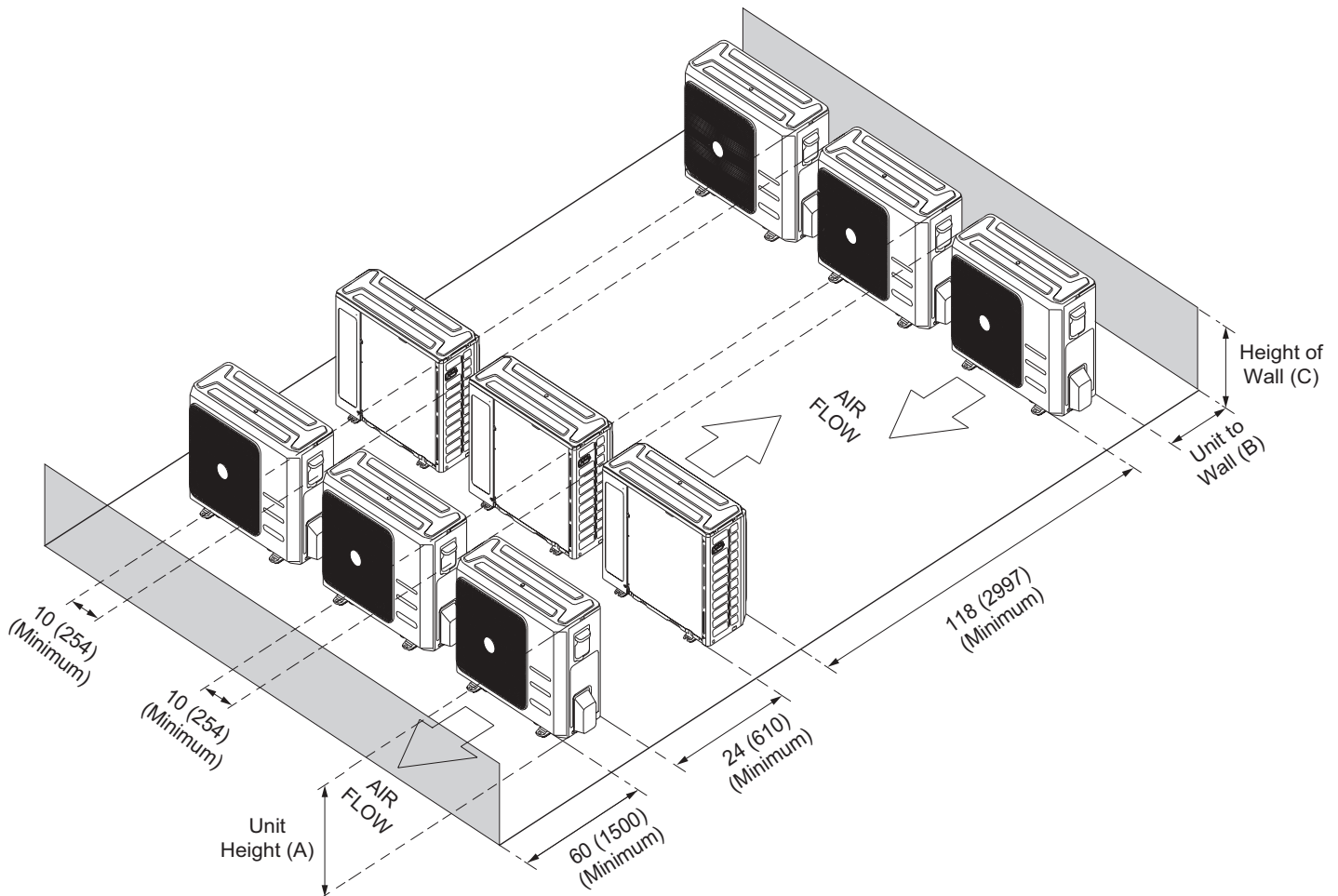
**DIMENSIONS - WALL-MOUNTED INDOOR UNITS - WALL PLATES**



## INSTALLATION CLEARANCES - OUTDOOR UNITS



<sup>1</sup> Minimum rear clearance can be 6 inches (152 mm) when mounted on brackets and with no obstructions on the other three sides.



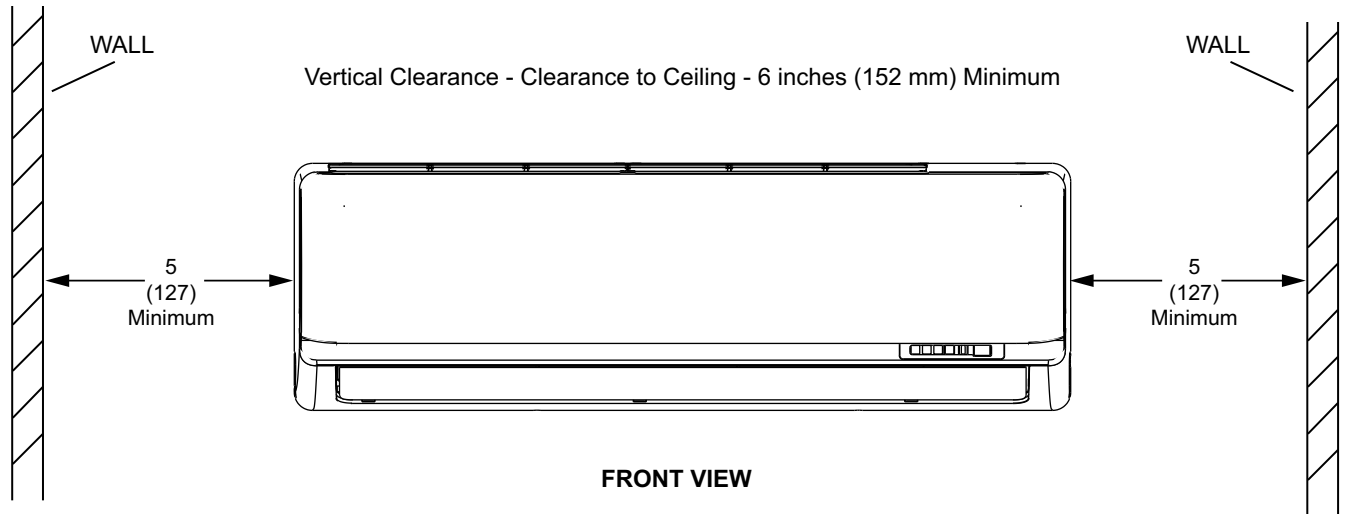
### CLEARANCE NOTES FOR MULTIPLE UNITS:

If the height of the wall (C) is less than or equal to the height of the smallest unit (A), the distance from the unit to the wall (B) must be a minimum of 10 inches (254 mm).

If 1/2 the height of the unit (A) is less than the height of the wall (C), the distance from the unit to the wall (B) must be a minimum of 12 inches (305 mm).

If the height of the wall (C) is greater than the height of the unit (A), the distance from the unit to the wall (B) must be a minimum of 20 inches (508 mm).

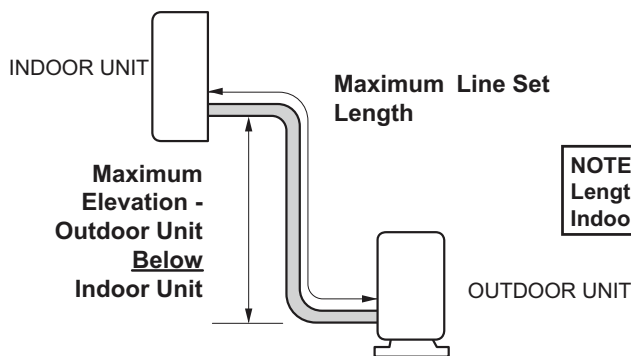
## INSTALLATION CLEARANCES - WALL-MOUNTED INDOOR UNITS



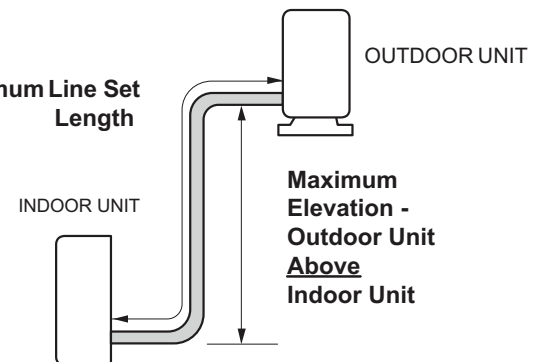
Vertical Clearance - Clearance to Floor - 72 inches (1829 mm) Minimum  
 NOTE - Provide 96 inches (2438) clearance to floor for best performance

## LINE SET AND ELEVATION GUIDELINES

### Outdoor Unit BELOW Indoor Unit



### Outdoor Unit ABOVE Indoor Unit



| Size | Line Set Diameters (in.) |     | Maximum Elevation - Outdoor Unit <u>Below</u> Indoor Unit<br>ft. (m) | Maximum Elevation - Outdoor Unit <u>Above</u> Indoor Unit<br>ft. (m) | Maximum Line Set Length<br>ft. (m) |
|------|--------------------------|-----|--|--|------------------------------------|
|      | Liquid                   | Gas |  |  |                                    |
| 009  | 1/4                      | 3/8 | 33 ft. (10 m)  | 33 ft. (10 m)  | 82 ft. (25 m)                      |
| 012  | 1/4                      | 1/2 | 33 ft. (10 m)  | 33 ft. (10 m)  | 82 ft. (25 m)                      |
| 018  | 1/4                      | 1/2 | 66 ft. (20 m)  | 66 ft. (20 m)  | 98 ft. (30 m)                      |
| 024  | 3/8                      | 5/8 | 66 ft. (20 m)  | 66 ft. (20 m)  | 98 ft. (30 m)                      |

## REVISIONS

| Sections             | Description of Change              |
|----------------------|------------------------------------|
| Optional Accessories | Updated optional Hail Guard usage. |



Visit us at [www.lennox.com](http://www.lennox.com)

For the latest technical information, [www.LennoxPros.com](http://www.LennoxPros.com)

Contact us at 1-800-4-LENNOX

NOTE - Due to Lennox' ongoing commitment to quality, Specifications, Ratings and Dimensions subject to change without notice and without incurring liability. Improper installation, adjustment, alteration, service or maintenance can cause property damage or personal injury. Installation and service must be performed by a qualified installer and servicing agency.

©2020 Lennox Industries, Inc.