

MINI-SPLIT SYSTEMS

MPC

Mini-Split

Multi-Zone Heat Pump Systems - R-410A - 60 Hz



**RESIDENTIAL / COMMERCIAL
PRODUCT SPECIFICATIONS**

Bulletin No. 210943
May 2022
Supersedes April 2022



MWMC Wall-Mounted
Non-Ducted Indoor Unit



M22A/M33C Cassette
Non-Ducted Indoor Unit



Wireless
Remote Controller
(furnished with
Wall-Mount,
Cassette, Console and
Ceiling/Floor
Non-Ducted Models)



MFMA Floor-Mount Console
Non-Ducted Indoor Unit



MCFA/MCFB Ceiling/Floor-Mount
Non-Ducted Indoor Unit



MMDB Medium Static Ducted Indoor Unit
with Wired Remote Controller (furnished)



MPC048 Heat Pump Outdoor Unit



MPC018 thru 036 Heat Pump Outdoor Units

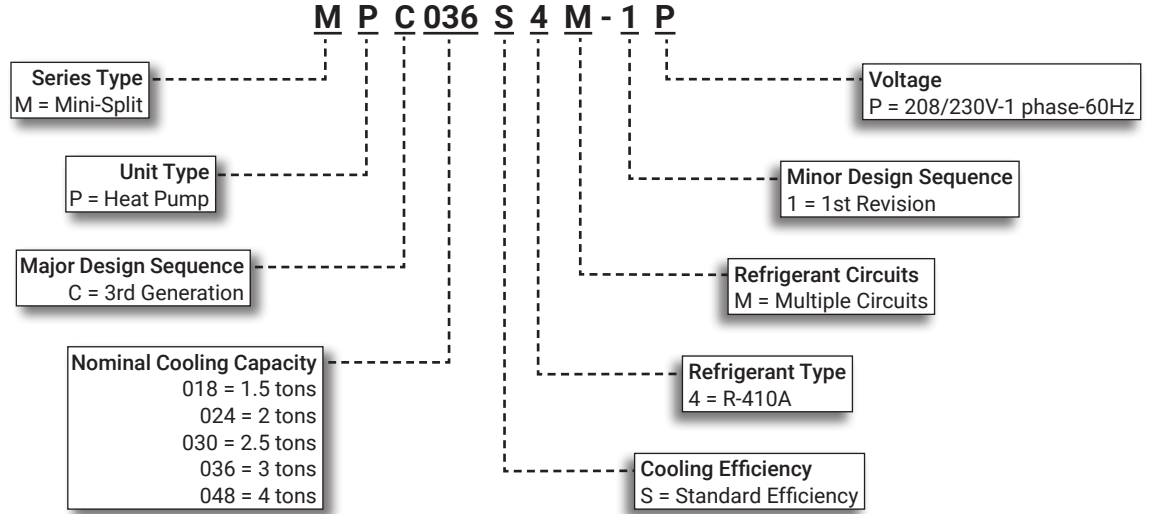


Certain models
have earned the
ENERGY STAR®
mark by meeting
strict energy
efficiency guidelines
set by the US EPA.

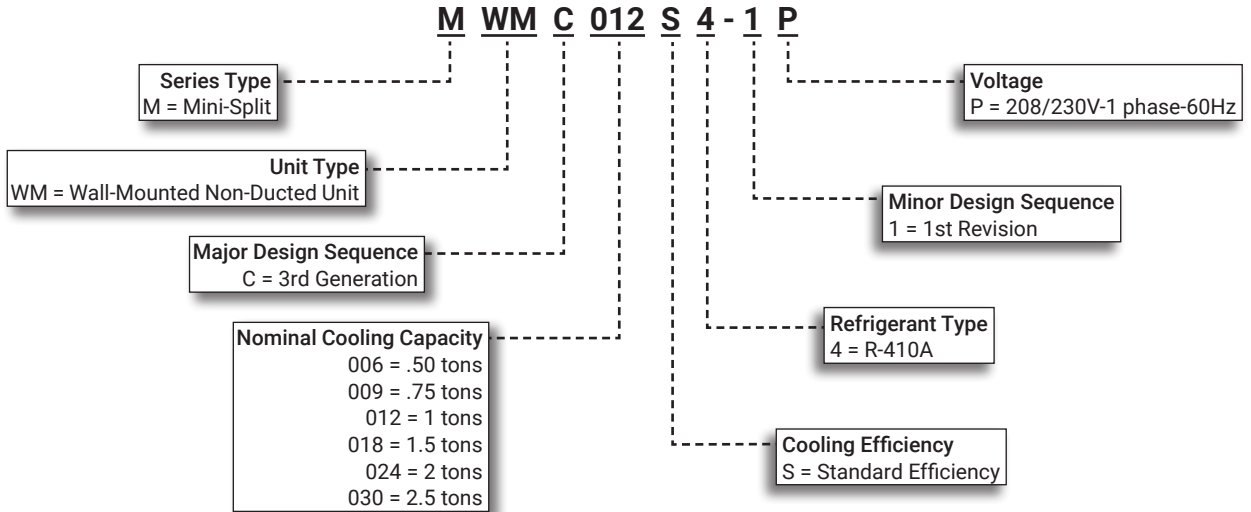
Up to 5 Zones
SEER - up to 24.10
HSPF - up to 11.5
1.5 to 4 Tons
Cooling Capacity - 18,000 to 49,000 Btuh
Heating Capacity - 19,000 to 50,000 Btuh

MODEL NUMBER IDENTIFICATION

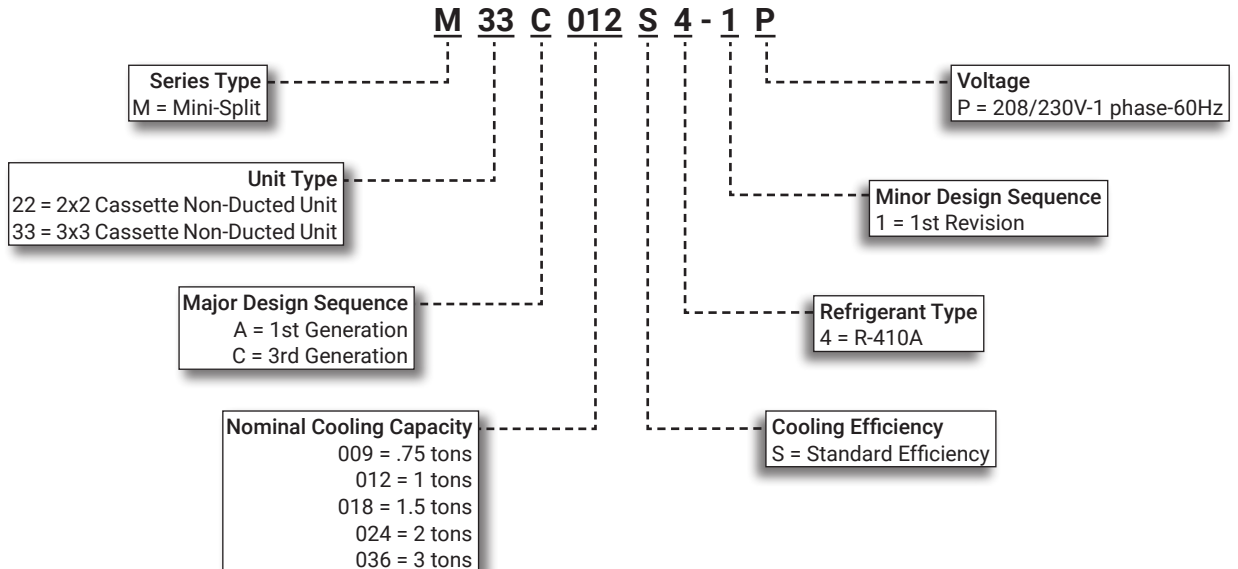
OUTDOOR MULTI-ZONE HEAT PUMP UNITS



WALL-MOUNTED INDOOR UNITS

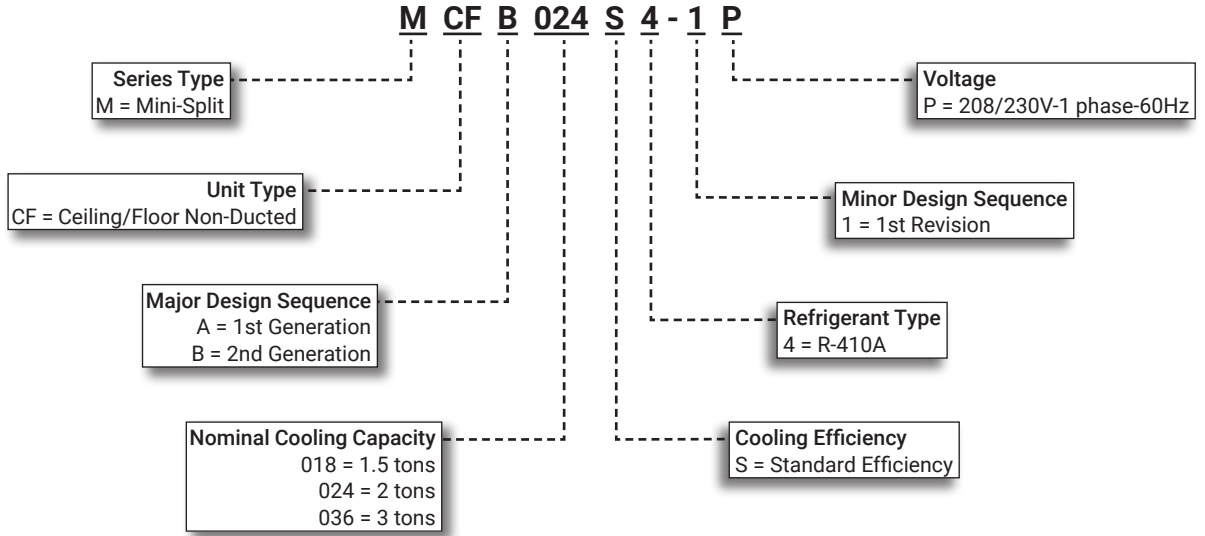


CASSETTE NON-DUCTED INDOOR UNITS

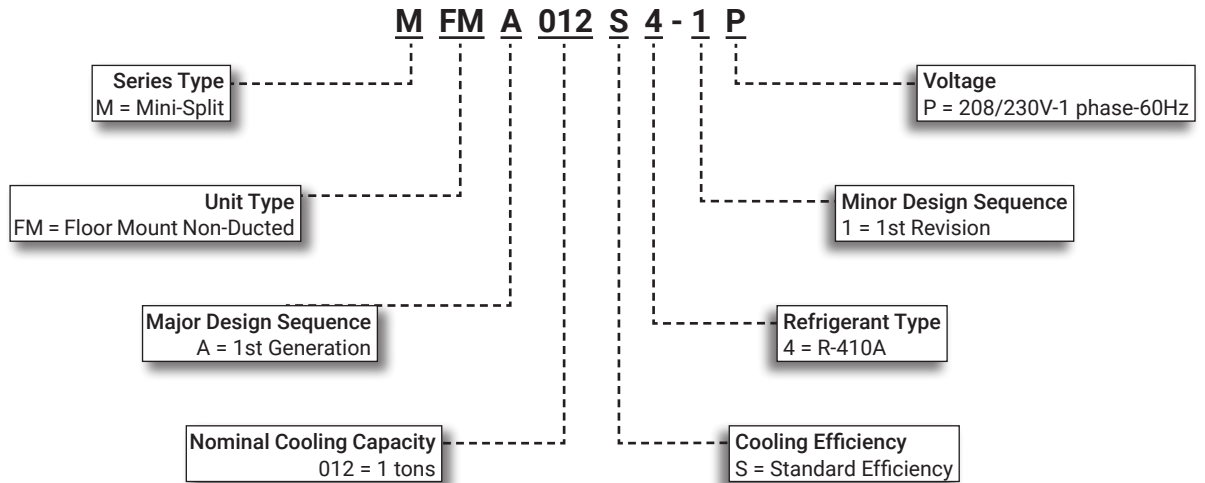


MODEL NUMBER IDENTIFICATION

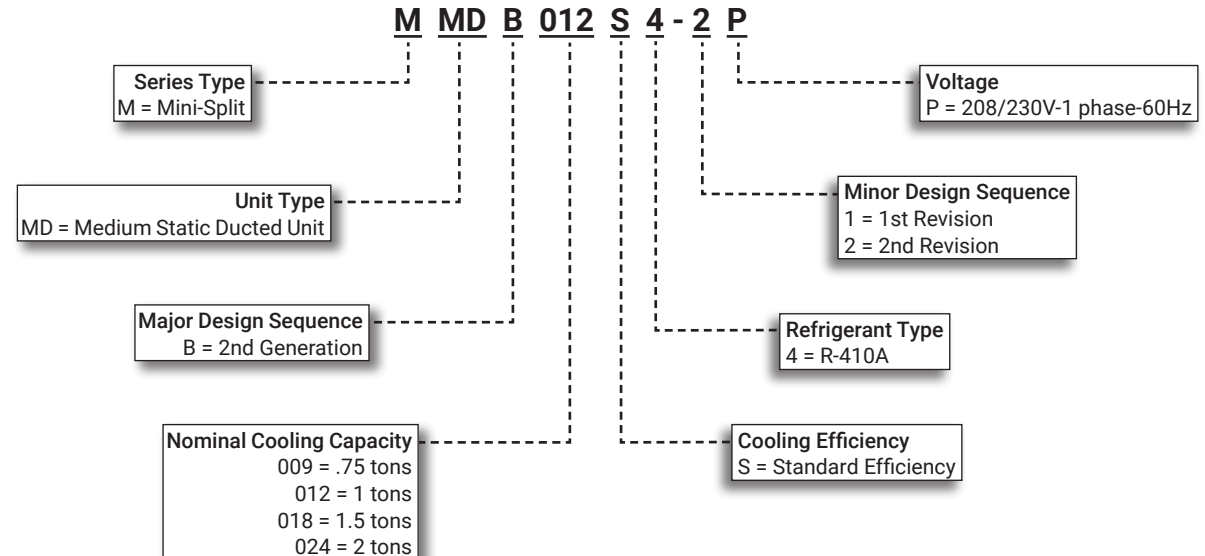
CEILING/FLOOR NON-DUCTED INDOOR UNITS



FLOOR-MOUNT CONSOLE NON-DUCTED INDOOR UNITS



MEDIUM STATIC DUCTED INDOOR UNITS



CONTENTS

AHRI Ratings	29
Air Throw Data	52
- Cassette Indoor Units	54
- Ceiling/Floor Mount Indoor Units	55
- Wall-Mounted Indoor Units	52
Approvals And Warranty	5
Blower Data	56
- Medium Static Ducted Indoor Units	56
Dimensions	61
- Cassette Indoor Units	66
- Ceiling/Floor Mount Indoor Units	68
- Floor Mount Console Indoor Unit	68
- Medium Static Ducted Indoor Units	69
- Outdoor Units	61
- Wall-Mounted Indoor Units	64
- Wall-Mounted Indoor Units - Wall Plates	65
Features	5
- Indoor Units	7
- Outdoor Units	5
Installation Clearances	70
- Cassette Indoor Units	71
- Ceiling/Floor Mount Indoor Units	72
- Floor Mount Console Indoor Unit	73
- Medium Static Ducted Indoor Units	74
- Outdoor Units	70
- Wall-Mounted Indoor Units	71
Line Set And Elevation Guidelines	75
Model Number Identification	2
Multi-Zone System Combinations	32
Optional Accessories - Order Separately	30
Outdoor To Indoor Unit Line Connections - Two Zones	38
Remote Controllers - Furnished	10
Sound Levels - Test Conditions	31
Specifications	23
- Cassette Indoor Units	26
- Ceiling/Floor Mount Indoor Units	27
- Floor Mount Console Indoor Units	27
- Medium Static Ducted Indoor Units	28
- Outdoor Units - 1.5 Ton 2 Ton 2.5 Ton	23
- Outdoor Units - 3 Ton 4 Ton	24
- Wall-Mounted Indoor Units	25

APPROVALS AND WARRANTY

APPROVALS

- AHRI Standard 210/240 certified with Addenda 1 and 2
- ENERGY STAR® certified units (certain models) are designed to use less energy, help save money on utility bills, and help protect the environment
- Rated According to U.S. Department of Energy (DOE) test procedures
- Indoor and outdoor units and components UL and CEC bonded for grounding to meet safety standards for servicing
- ETL certified for the U.S. and Canada
- Meets 2014 Florida Building Code Wind Design Criteria
 - Ultimate Wind Speed – 186 miles per hour
 - Risk Categories – III and IV
 - Wind Exposures – C and D
 - Mean Roof Heights – Up to 60 feet above ground

WARRANTY

- Compressor - Limited seven years
- All other covered components - Limited five years

NOTE - Refer to Lennox Basic Limited Warranty at www.Lennox.com for additional details.

FEATURES

APPLICATIONS

- 1.5 through 4 ton
- Single phase power supply (208/230V)
- Outdoor unit sound levels as low as 58.5 dBA
- Indoor unit sound levels as low as 22.5 dBA
- Ductless mini-split systems provide a wide range of capacities and applications and provide an alternative when a ducted system is impractical or cost prohibitive
- Depending on capacity, multi-zone heat pumps allow up to five indoor units (5 zones) to be connected to one outdoor unit
- Units shipped completely factory assembled, internally piped, and wired

NOTE - Outdoor unit is designed for outdoor location only.

NOTE - it is recommended that Medium Static Ducted Indoor Units not be installed in unconditioned spaces with temperatures above 100°F.

REFRIGERATION SYSTEM

R-410A Refrigerant

- Non-chlorine, ozone friendly
- Unit is factory pre-charged

Outdoor Coil

- Aluminum fins fitted to copper tubes
- Wire grille guard provided

Outdoor Fan

- Direct drive fan moves large air volumes uniformly through entire outdoor coil for high refrigeration capacity
- Fan guard provided

OUTDOOR UNITS

Refrigerant Line Connections, Service Valve

- Flare connection lines are located on side of unit cabinet
- Fully serviceable brass service valve prevents corrosion and provides access to refrigerant system

COMPRESSOR

Variable Frequency Rotary Compressor

- Compressor features high efficiency operation
- Balanced for reduced vibration and quiet operation
- Brushless DC motor uses powerful Neodymium magnets, which are approximately 15-20 times stronger than ferrite magnets used in conventional AC compressors

Compressor Crankcase Heater

- Protects against liquid refrigerant migration that can occur during low ambient operation

CONTROLS

DC Inverter Control

- Provides continuous operation, while adjusting capacity according to room temperature
- The accurate sensing of cooling loads prevents frequent changes in capacity and ensures efficient, economical operation

Inverter Module Protection

- Protects against differences in current, voltage and temperature
- Displays code on the indoor unit indicating a need for servicing

CONTROLS (continued)**Outdoor Unit Microprocessor**

- Electronic expansion valve control
- Automatic compressor timed-off protection (3 minutes)
- Temperature sensor
- LEDs on control display error codes and assist in troubleshooting
- 4-Way reversing valve control

Electronic Expansion Valve

- Furnished on all models

Compressor Overcurrent Protection

- Overcurrent protection can result due to any of the following:
 - Ambient temperature is too high
 - Locked rotor on the compressor
 - Outdoor air is blocked or restricted

Condenser High Temperature Protection

- Condenser high temperature can occur due to any of the following conditions:
 - High outdoor ambient
 - Outdoor fan blocked
 - Outdoor coil blocked
- The outdoor coil thermistor continuously monitors the temperature and communicates with the microprocessor
- Depending on the temperature measured, the compressor will be allowed to increase the frequency if needed to meet the load or is forced to run at the current or reduced frequency
- If the temperature becomes excessively high the compressor will be de-energized

Compressor Discharge Temperature Protection

- The compressor discharge line thermistor continuously monitors the temperature and communicates with the microprocessor
- Depending on the temperature measured, the compressor will be allowed to increase the frequency to meet the load or is forced to run at the current or reduced frequency
- If the temperature becomes excessively high, the compressor will be de-energized

Voltage Protection

- Protects unit from low or high voltage fluctuations

Terminal Strip

- Furnished for easy wiring connections

Automatic Piping/Wiring Correction

- Automatically checks piping/wiring connections
- A "Check Switch" on outdoor unit control reviews zone wiring and piping connections and displays "CE" if all connections are correct
- If a unit(s) is not connected to the correct zone the control will automatically remap the wiring to the correct zone based on indoor unit size

Defrost Control

- Defrost cycle is automatically enabled if there is a build-up of frost on the outdoor coil
- Outdoor fan operation is terminated during the defrost cycle
- Indoor fan changes to ultra low speed during the defrost cycle to help bring warm refrigerant back to the outdoor coil to assist during defrost operation
- Defrost LED is lit on the indoor unit panel on the front cover during a defrost cycle

Reversing Valve

- 4-way interchange reversing valve effects a rapid change in direction of refrigerant flow resulting in quick changeover from cooling to heating and vice versa
- Valve operates on pressure differential between outdoor unit and indoor unit of the system

CABINET

- Constructed of heavy gauge steel
- Tabs on unit base allow secure mounting to slab
- Condensate drain outlets furnished on unit base

NOTE - Drain must be field furnished.

- Pan heater prevents ice build-up in the bottom of the unit during heating operation
- Access cover for power and control wiring connections
- Access cover for service valves

WALL-MOUNTED INDOOR UNITS

- Low-sound, three-speed Wall Mount with LED display offers three access points for refrigerant outlet pipes: left, right or rear
- The front panel can be raised for accessible wiring and maintenance
- Swing louver angles to 90°
- Unit installs horizontally on a vertical wall
- **Pre-Heat Function** - Delays the operation of the fan until the indoor coil has reached a pre-determined temperature which prevents the discharge of cold air while the system is operating in the "heating" mode
- **LED Readout** - Mounted on unit. LED displays unit operation status, and codes for maintenance and servicing
- **Auto Restart** - Automatically restores the previous function setting if power is interrupted
- **Cooling Override** - Button on the indoor unit allows a temporary 30 minute override of the system for forced "AUTO" or "COOLING" operation
- **Flare Connections** - Equipped with liquid and gas flare fittings for quick and secure piping
- **Multi-Refrigerant Outlet** - Allows left, right, or rear access for refrigeration line connection
- **Three Speed Fan** - Fan functions at three speeds: low, medium and high
- **Air Filter** - Cleanable air filter is furnished as standard
- **Wireless Remote Controller** - Furnished as standard, see page 10

CASSETTE INDOOR UNITS

- Low-sound and encased in galvanized steel, the Cassette unit with LED display offers 360° airflow for immediate, equal distribution of wide-range cooling and heating
- 360° Airflow Panel - Allows for even, wide-range cooling and heating
- Pre-Heat Function - Delays the operation of the fan until the indoor coil has reached a pre-determined temperature which prevents the discharge of cold air while the system is operating in the "heating" mode
- **LED Readout/Infrared Receiver Panel** - Mounted on unit. LEDs display unit operation status, and codes for maintenance and servicing
- Infrared receiver for use with wireless remote controller (furnished)
- **Auto Restart** - Automatically restores the previous function setting if power is interrupted
- **Cooling Override** - Button on the indoor unit allows a temporary 30 minute override of the system for forced "AUTO" or "COOLING" operation
- **Built-In Condensate Pump** - 27-1/2 in. maximum lift
- **Compact Design** - Allows accessible wiring and space-saving installation with reduced width and depth
- **Flare Connections** - Equipped with liquid and gas flare fittings for quick and secure piping
- **Three Speed Fan** - Fan functions at three speeds: low, medium and high
- **Turbo Fan With Backward Curved Blades** - Reduces sound levels and air resistance
- **Air Filter** - Cleanable air filter is furnished as standard
- **Wireless Remote Controller** - Furnished as standard, see page 16 for M22A and page 13 for M33C

NOTE - The cassette panel must be ordered separately. See Specifications table for ordering information.

CEILING/FLOOR MOUNT INDOOR UNITS



- Low-sound, three-speed Ceiling and Floor Mount models with LED display has a multi-blade fan that distributes air vertically and horizontally with a wide angle sweeping motion
- Two installation options are available:
 1. Horizontally against the ceiling
 2. Vertically against the floor/wall
- **Pre-Heat Function** - Delays the operation of the fan until the indoor coil has reached a pre-determined temperature which prevents the discharge of cold air while the system is operating in the "heating" mode
- **LED Readout/Infrared Receiver Panel** - Mounted on unit. LEDs display unit operation status, and codes for maintenance and servicing
- Infrared receiver for use with wireless remote controller (furnished)



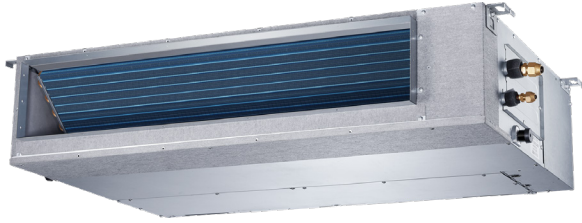
NOTE - Readout panel design varies depending on unit size.

- **Auto Restart** - Automatically restores the previous function setting if power is interrupted
- **Cooling Override** - Button on the indoor unit allows a temporary 30 minute override of the system for forced "AUTO" or "COOLING" operation
- **Flare Connections** - Equipped with liquid and gas flare fittings for quick and secure piping
- **Multi-Refrigerant Outlet** - Allows left, right, or rear access for refrigeration line connection
- **Three Speed Fan** - Fan functions at three speeds: low, medium and high
- **Air Filter** - Cleanable air filter is furnished as standard
- **Wireless Remote Controller** - Furnished as standard, see page 16

FLOOR MOUNT CONSOLE INDOOR UNIT



- Low-sound, three-speed Floor Mount Console model with LED display has a multi-blade fan that distributes air vertically and horizontally with a wide angle sweeping motion
- Installed vertically against the floor/wall
- Swing louver angles to 90°
- **Pre-Heat Function** - Delays the operation of the fan until the indoor coil has reached a pre-determined temperature which prevents the discharge of cold air while the system is operating in the "heating" mode
- **LED Readout/Infrared Receiver Panel** - Mounted on unit. LEDs display unit operation status, and codes for maintenance and servicing
- Infrared receiver for use with wireless remote controller (furnished)
- **Auto Restart** - Automatically restores the previous function setting if power is interrupted
- **Cooling Override** - Button on the indoor unit allows a temporary 30 minute override of the system for forced "AUTO" or "COOLING" operation
- **Flare Connections** - Equipped with liquid and gas flare fittings for quick and secure piping
- **Condensate Drain Connection** - Rear of unit
- **Condensate Flex Adaptor** - Flex adaptor and hose clamps are furnished for drain connection
- **Three Speed Fan** - Fan functions at three speeds: low, medium and high
- **Air Filter** - Cleanable air filter is furnished as standard
- **Hanging Brackets (2)** - Furnished for installation
- **Wireless Remote Controller** - Furnished as standard, see page 16

MEDIUM STATIC DUCTED INDOOR UNITS

- Slim, compact design for limited space requirements. Installs out of sight between the drop ceiling and ceiling slab with ducted distribution to the indoor space
- **Pre-Heat Function** - Delays the operation of the fan until the indoor coil has reached a pre-determined temperature which prevents the discharge of cold air while the system is operating in the "heating" mode
- **LED Readout Panel** - Mounted in the unit control box unit. LEDs display unit operation status, and codes for maintenance and servicing
- **Auto Restart** - Automatically restores the previous function setting if power is interrupted
- **Cooling Override** - Button on the indoor unit allows a temporary 30 minute override of the system for forced "AUTO" or "COOLING" operation
- **Built-In Condensate Pump** - 27-1/2 inch lift
- **Duct Connections** - Return air connections can be made horizontally or from the bottom of the unit with interchangeable panel
- **Flare Connections** - Equipped with liquid and gas flare fittings for quick and secure piping
- **Three Speed Fan** - Fan functions at three speeds: low, medium and high
- **Air Filter** - Cleanable air filter is furnished as standard
- **Wired Remote Controller** - Furnished as standard, see page 19

AUTO CHANGEOVER OPERATION

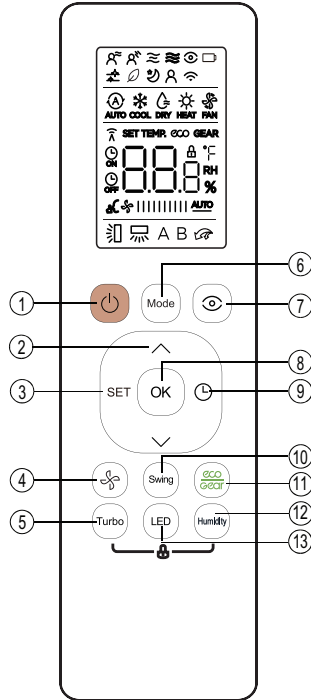
- If an indoor unit in the system is set to "AUTO" mode the unit will operate in cooling, heating or fan mode based on temperature setting
- Fan runs in auto mode
- Each indoor unit has a "mode conflict priority" setting set by a DIP switch or from the remote controller (default setting is heating mode)
- The system "mode conflict priority" is set by the indoor unit connected through the "A" terminal strip
- If the "A" terminal strip is not used, the unit at the "B" terminal strip and any subsequent terminal strips is utilized (depending on number of zones/indoor units)
- When a mode conflict happens (all units are not set to the same mode), the indoor units with the mode equal to the system "mode conflict priority" will continue to operate
- The indoor unit with the different mode will be turned off and the display will show "---" indicating a mode conflict for that particular indoor unit
- Mode conflict will auto-reset once all units return to the same operating mode

REMOTE CONTROLLERS - FURNISHED

WIRELESS REMOTE CONTROLLER (RG10L-WM)

(FURNISHED WITH WALL-MOUNT INDOOR UNITS)

- Complete remote control of system
- Maximum operating range is 25 ft.
- Operates on two AAA 1.5V batteries (furnished)
- Wireless remote controller holder furnished
- Holder can be mounted on a wall for easy access
- Mounting screws furnished



1 ON/OFF Button

- Turns system on and off

2 UP/DOWN Buttons ^ v

- Increase or decrease the indoor temperature in one degree increments (maximum 86°F, minimum 60°F)

NOTE - Temperature cannot be adjusted in FAN mode.

NOTE - Press and hold and buttons together for 3 seconds to alternate the temperature display between the °C and °F scale.

3 SET Button

- Scrolls through unit operations in this order:

1. Breeze Away
2. Active Clean
3. Sleep
4. Follow Me

NOTE - The selected symbol will flash on the display area. Press the OK button to confirm.

4 FAN Button

- Cycles fan speeds in the following order:
 - AUTO → 20% → 40% → 60% → 80% → 100%

5 TURBO Button

- Enables the unit to reach the preset temperature during cooling or heating operation in the shortest time

6 MODE Button

- Select system operation modes
- Press button to cycle through each setting:
 - AUTO → COOL → DRY → HEAT → FAN

7 ECO INTELLIGENT EYE Button

- Detects motion in the room to reduce cooling mode when no activity is detected for 30 minutes

8 OK Button

- Confirms selected function

9 TIMER Button

- Initiates an auto-on or auto-off time sequence
- Press TIMER button to initiate the ON time sequence
- Press Temp. up or down button for multiple times to set the desired time to turn on the unit
- Press TIMER button to initiate the OFF time sequence.

NOTE - Each press of the button increases or decreases the time (depending on function) in 30 minute increments up to 10 hours.

Above 10 hours each press of the button will increase or decrease the auto-timed setting by 60 minutes up to 24 hours.

To cancel, set timer to 0.0 or turn remote off and on.

10 SWING Button

- Used to stop or start louver auto swing feature

11 ECO/GEAR Button

- Controls temperature/energy efficiency of the unit

NOTE - Only available in cooling mode.

ECO Operation

- Sets unit to 75°F unit operation if setpoint is lower
- Sets fan to Auto operation if setpoint is over 75°F

NOTE - If setpoint is manually changed to less than 75°F, ECO operation is canceled.

GEAR Operation

- Reduces electrical consumption to 75% or 50%

12 HUMIDITY Button

- Adjusts the room humidity during DRY mode from 35% to 85%
- Each press of the button increases the humidity in 5% increments

13 LED Button












- Turns the LCD display backlight on the indoor unit on or off

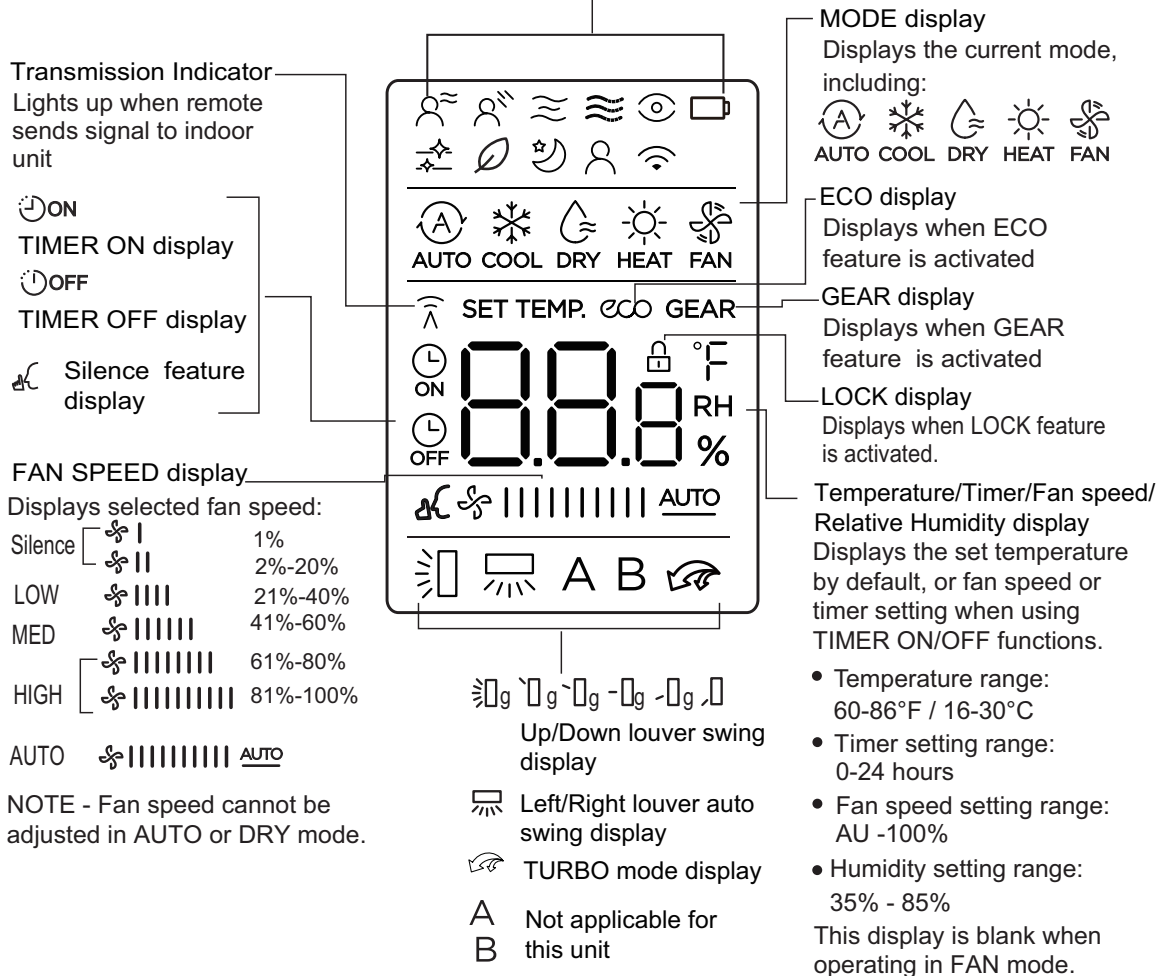
NOTE - Press and hold the button for 5 seconds to display the actual room temperature. Press more than 5 seconds to revert back to display set temperature.

REMOTE CONTROLLERS - FURNISHED

WIRELESS REMOTE CONTROLLER INDICATORS (RG10L-WM)

Information is displayed when the Wireless Remote Controller is powered on.

- | | | | |
|---|---|---|-------------------------------------|
|  | Not applicable for this unit |  | Active Clean feature display |
|  | Breeze Away feature display |  | Not applicable for this unit |
|  | Not applicable for this unit |  | Sleep feature display |
|  | Not applicable for this unit |  | Follow Me feature display |
|  | ECO Intelligent Eye display
(certain units) |  | Not applicable for this unit |
| | |  | Low battery detection (flashing) |



Note:
All icons are shown for display purposes only.
During actual unit operation, only active icons are displayed.

REMOTE CONTROLLERS - FURNISHED

WIRELESS REMOTE CONTROLLER OPERATION (RG10L-WM)

Auto Operation

1. Press the **MODE** button to select Auto.
2. Press the **UP/DOWN** button to set the desired temperature.
3. Press the **ON/OFF** button to start the system.

Cooling /Heating/Fan Operation

1. Press the **MODE** button to select **COOL, HEAT** or **FAN** mode.
2. Press the **UP/DOWN** buttons to set the desired temperature.
3. Press the **FAN** button to select the fan speed.
4. Press the **ON/OFF** button to start the system.

Dehumidifying (DRY) Operation

1. Press the **MODE** button to select **DRY** mode.
2. Press the **UP/DOWN** buttons to set the desired temperature.
3. Press the **ON/OFF** button to start the system.

NOTE - Fan speed selection is disabled.

Timer ON/OFF Operation

1. Press the **TIMER** button. The remote controller shows **TIMER ON** or **TIMER OFF** icon
2. Press the **TIMER** button again to set desired time. Each time the button is pressed the time increases by 30 minutes between 0 and 10 hours and then by 60 minutes between 10 and 24 hours.
3. After setting the **TIMER ON** or **TIMER OFF** there will be a one second delay before the remote controller transmits the signal to the unit. After approximately 2 seconds the set temperature will re-appear on the LCD display window.

Silence Operation

1. Press the **FAN** button for more than 2 seconds to activate or disable the Silence function

Lock Function

1. Press the **TURBO** and **HUMIDITY** buttons together two times in less than one second to lock the Controller to prevent tampering
2. Press the **TURBO** and **HUMIDITY** together buttons again for two seconds to unlock the Controller

Swing Function

1. Press the Swing button to activate up/down louver operation. Louvers oscillate up and down automatically. Press and hold the Swing button again to disable.

NOTE - Pressing the Swing button multiple times will set the louvers at five different fixed airflow angles.

2. Press and hold Swing button for 2 seconds to activate left/right louver operation. Louvers swing left and right automatically.

SET BUTTON FUNCTIONS

Breeze Away

- Prevents unit from blowing air directly on a person

NOTE - Only available in COOL, FAN or DRY modes.

Active Clean

- Washes away dust, mold, and grease that may cause odors when it adheres to the indoor coil by automatically freezing and then rapidly thawing the coil
- Indoor unit displays "CL"
- After 20 to 45 minutes the unit will automatically turn cancel the operation

NOTE - Only available in COOL or DRY modes.

Sleep

- Enables the system to automatically increase cooling or decrease heating (in 2°F increments) per hour for the first 2 hours, then maintain a steady temperature for 5 hours
- System keeps the final operation mode after 8 total hours of operation

NOTE - To cancel, push the "MODE", "FAN SPEED" or "ON/OFF" buttons.

SLEEP mode is only available when the unit is in COOL, HEAT or AUTO mode

Follow Me

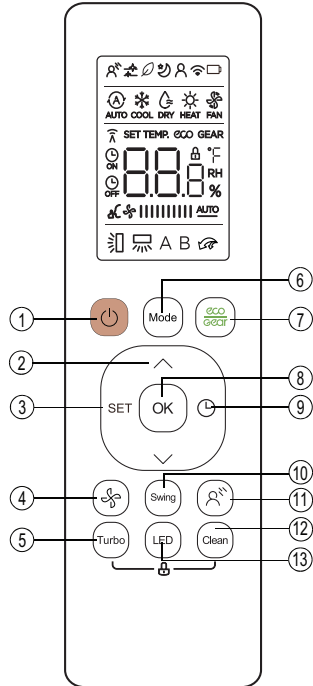
- Allows remote temperature sensing of the room at the remote controller location

REMOTE CONTROLLERS - FURNISHED

WIRELESS REMOTE CONTROLLER (RG10B-CSWHB)

(FURNISHED WITH M33C CASSETTE INDOOR UNITS)

- Complete remote control of system
- Maximum operating range is 25 ft.
- Operates on two AAA 1.5V batteries (furnished)
- Wireless remote controller holder furnished
- Holder can be mounted on a wall for easy access
- Mounting screws furnished



1 ON/OFF Button

- Turns system on and off

2 UP/DOWN Buttons ^ v

- Increase or decrease the indoor temperature in one degree increments (maximum 86°F, minimum 60°F)

NOTE - Temperature cannot be adjusted in FAN mode.

NOTE - Press and hold and buttons together for 3 seconds to alternate the temperature display between the °C and °F scale.

3 SET Button

- Scrolls through unit operations in this order:

3. Sleep

4. Follow Me

NOTE - The selected symbol will flash on the display area. Press the OK button to confirm.

4 FAN Button

- Cycles fan speeds in the following order:
 - AUTO → 20% → 40% → 60% → 80% → 100%

NOTE - Holding Fan button down for 2 seconds will activate **Silence** feature.

5 TURBO Button

- Enables the unit to reach the preset temperature during cooling or heating operation in the shortest time

6 MODE Button

- Select system operation modes
- Press button to cycle through each setting:
 - AUTO → COOL → DRY → HEAT → FAN

7 ECO/GEAR Button

- Controls temperature/energy efficiency of the unit

NOTE - Only available in cooling mode.

ECO Operation

- Sets unit to 75°F unit operation if setpoint is lower
- Sets fan to Auto operation if setpoint is over 75°F

NOTE - If setpoint is manually changed to less than 75°F, ECO operation is canceled.

GEAR Operation

- Reduces electrical consumption to 75% or 50%

8 OK Button

- Confirms selected function

9 TIMER Button

- Initiates an auto-on or auto-off time sequence
- Press TIMER button to initiate the ON time sequence
- Press Temp. up or down button for multiple times to set the desired time to turn on the unit
- Press TIMER button to initiate the OFF time sequence.

NOTE - Each press of the button increases or decreases the time (depending on function) in 30 minute increments up to 10 hours.

Above 10 hours each press of the button will increase or decrease the auto-timed setting by 60 minutes up to 24 hours.

To cancel, set timer to 0.0 or turn remote off and on.

10 SWING Button

- Used to stop or start louver auto swing feature

11 BREEZE AWAY Button

- Prevents unit from blowing air directly on a person

NOTE - Only available in COOL, FAN or DRY modes.

12 CLEAN Button

- Start/stop the Active Clean function (see description on page 15)

13 LED Button

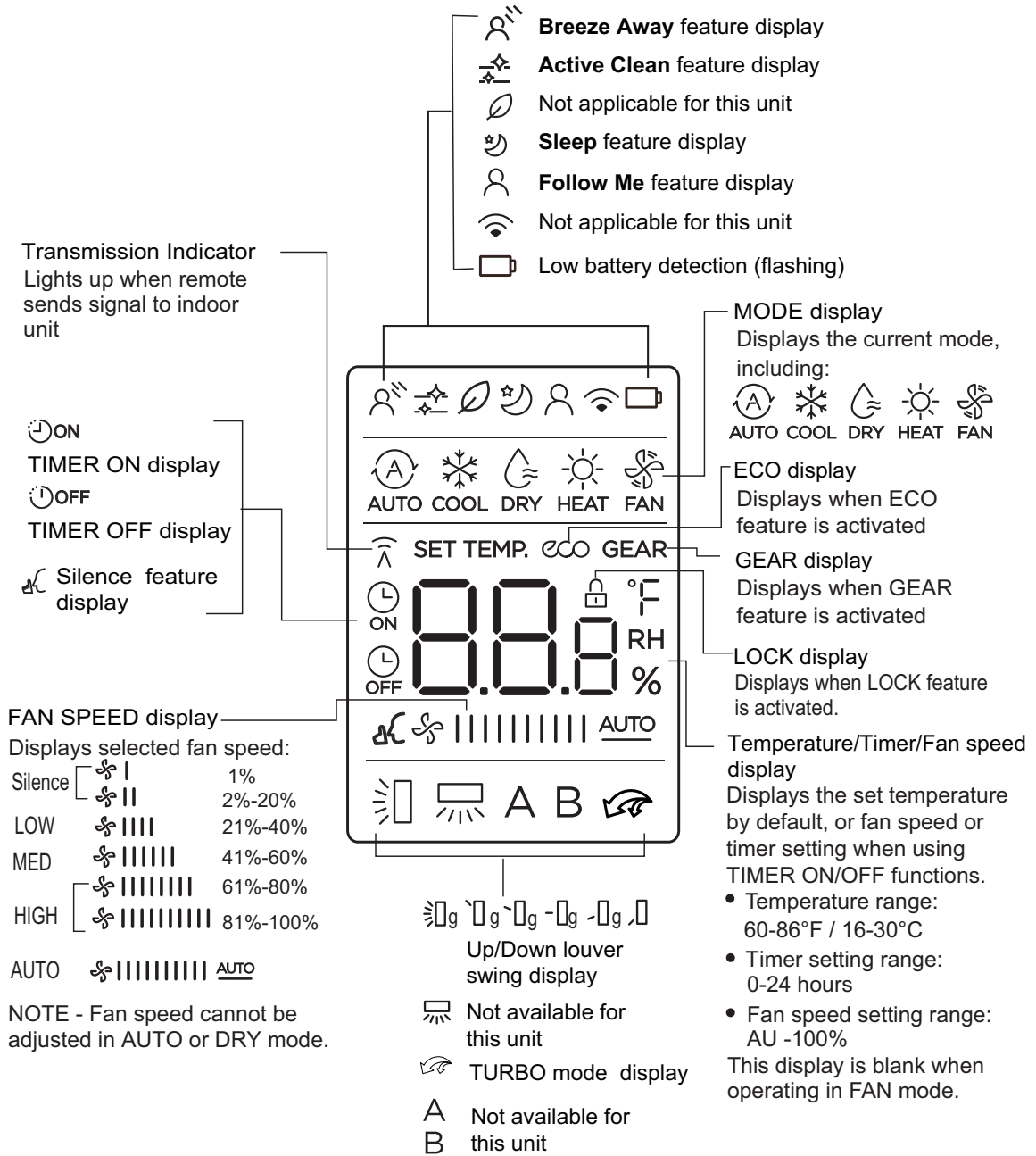
- Turns the LCD display backlight on the indoor unit on or off

NOTE - Press and hold the button for 5 seconds to display the actual room temperature. Press more than 5 seconds to revert back to display set temperature.

REMOTE CONTROLLERS - FURNISHED

WIRELESS REMOTE CONTROLLER INDICATORS (RG10B-CSWHB)

Information is displayed when the Wireless Remote Controller is powered on.



Note:
All icons are shown for display purposes only.
During actual unit operation, only active icons are displayed.

REMOTE CONTROLLERS - FURNISHED

WIRELESS REMOTE CONTROLLER OPERATION (RG10B-CSWHB)

Auto Operation

1. Press the **MODE** button to select Auto.
2. Press the **UP/DOWN** button to set the desired temperature.
3. Press the **ON/OFF** button to start the system.

Cooling /Heating/Fan Operation

1. Press the **MODE** button to select **COOL, HEAT** or **FAN** mode.
2. Press the **UP/DOWN** buttons to set the desired temperature.
3. Press the **FAN** button to select the fan speed in four steps- Auto, Low, Med or High.
4. Press the **ON/OFF** button to start the system.

Dehumidifying (DRY) Operation

1. Press the **MODE** button to select **DRY** mode.
2. Press the **UP/DOWN** buttons to set the desired temperature.
3. Press the **ON/OFF** button to start the system.

NOTE - Fan speed selection is disabled.

Timer ON/OFF Operation

1. Press the **TIMER** button. The remote controller shows **TIMER ON** or **TIMER OFF** icon
2. Press the **TIMER** button again to set desired time. Each time the button is pressed the time increases by 30 minutes between 0 and 10 hours and then by 60 minutes between 10 and 24 hours.
3. After setting the **TIMER ON** or **TIMER OFF** there will be a one second delay before the remote controller transmits the signal to the unit. After approximately 2 seconds the set temperature will re-appear on the LCD display window.

Silence Operation

1. Press the **FAN** button for more than 2 seconds to activate or disable the Silence function

Lock Function

1. Press the **TURBO** and **CLEAN** buttons together two times in less than one second to lock the Controller to prevent tampering
2. Press the **TURBO** and **CLEAN** together buttons again for two seconds to unlock the Controller

Swing Function

1. Press the **Swing** button to activate up/down louver operation. Louvers oscillate up and down automatically. Press and hold the Swing button again to disable.

NOTE - Pressing the Swing button multiple times will set the louvers at five different fixed airflow angles.

SET BUTTON FUNCTIONS

Sleep

- Enables the system to automatically increase cooling or decrease heating (in 2°F increments) per hour for the first 2 hours, then maintain a steady temperature for 5 hours
- System keeps the final operation mode after 8 total hours of operation

NOTE - To cancel, push the "MODE", "FAN SPEED" or "ON/OFF" buttons.

SLEEP mode is only available when the unit is in COOL, HEAT or AUTO mode

Follow Me

- Allows remote temperature sensing of the room at the remote controller location

CLEAN FUNCTION

Active Clean

- Washes away dust, mold, and grease that may cause odors when it adheres to the indoor coil by automatically freezing and then rapidly thawing the coil
- Indoor unit displays "CL"
- After 20 to 45 minutes the unit will automatically turn cancel the operation

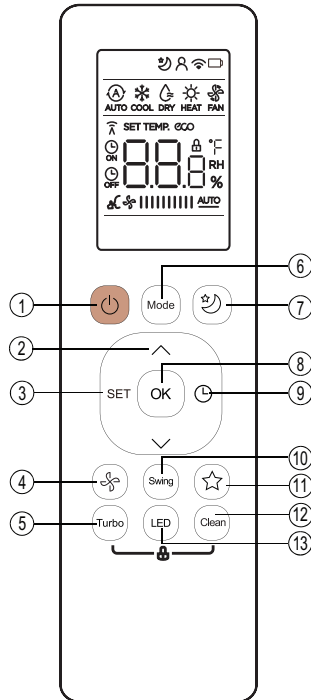
NOTE - Only available in COOL or DRY modes.

REMOTE CONTROLLERS - FURNISHED

WIRELESS REMOTE CONTROLLER (RG10B-DCFC)

(FURNISHED WITH M22A CASSETTE, FLOOR-MOUNT, CEILING/FLOOR AND CONSOLE MOUNT INDOOR UNITS. OPTIONAL FOR DUCTED INDOOR UNITS)

- Complete remote control of system
- Maximum operating range is 25 ft.
- Operates on two AAA 1.5V batteries (furnished)
- Wireless remote controller holder furnished
- Holder can be mounted on a wall for easy access
- Mounting screws furnished



1 ON/OFF Button

- Turns system on and off

2 UP/DOWN Buttons ^ v

- Increase or decrease the indoor temperature in one degree increments (maximum 86°F, minimum 62°F)

NOTE - Temperature cannot be adjusted in FAN mode.

NOTE - Press and hold and buttons together for 3 seconds to alternate the temperature display between the °C and °F scale.

3 SET Button

- Scrolls through unit operations in this order:

1. Follow Me

NOTE - The selected symbol will flash on the display area. Press the OK button to confirm.

4 FAN Button

- Cycles fan speeds in the following order:
 - AUTO → LOW → MED → HIGH

NOTE - Holding Fan button down for 2 seconds will activate **Silence** feature.

5 TURBO Button

- Enables the unit to reach the preset temperature during cooling or heating operation in the shortest time

6 MODE Button

- Select system operation modes
- Press button to cycle through each setting:
 - AUTO → COOL → DRY → HEAT → FAN

7 SLEEP Button

Sleep

- Enables the system to automatically increase cooling or decrease heating (in 2°F increments) per hour for the first 2 hours, then maintain a steady temperature for 5 hours
- System keeps the final operation mode after 8 total hours of operation

8 OK Button

- Confirms selected function

9 TIMER Button

- Initiates an auto-on or auto-off time sequence
- Press TIMER button to initiate the ON time sequence
- Press Temp. up or down button for multiple times to set the desired time to turn on the unit
- Press TIMER button to initiate the OFF time sequence.

NOTE - Each press of the button increases or decreases the time (depending on function) in 30 minute increments up to 10 hours.

Above 10 hours each press of the button will increase or decrease the auto-timed setting by 60 minutes up to 24 hours.

To cancel, set timer to 0.0 or turn remote off and on.

10 SWING Button

- Used to stop or start louver auto swing feature

11 SHORTCUT Button

- Restore the current settings or resume the previous settings

12 CLEAN Button

- Start/stop the Self-Clean function
- Unit cleans itself automatically

NOTE - Only available in COOL or DRY modes.

NOTE - Not for MCFA036-048 and MMDB036-048 models.

13 LED Button

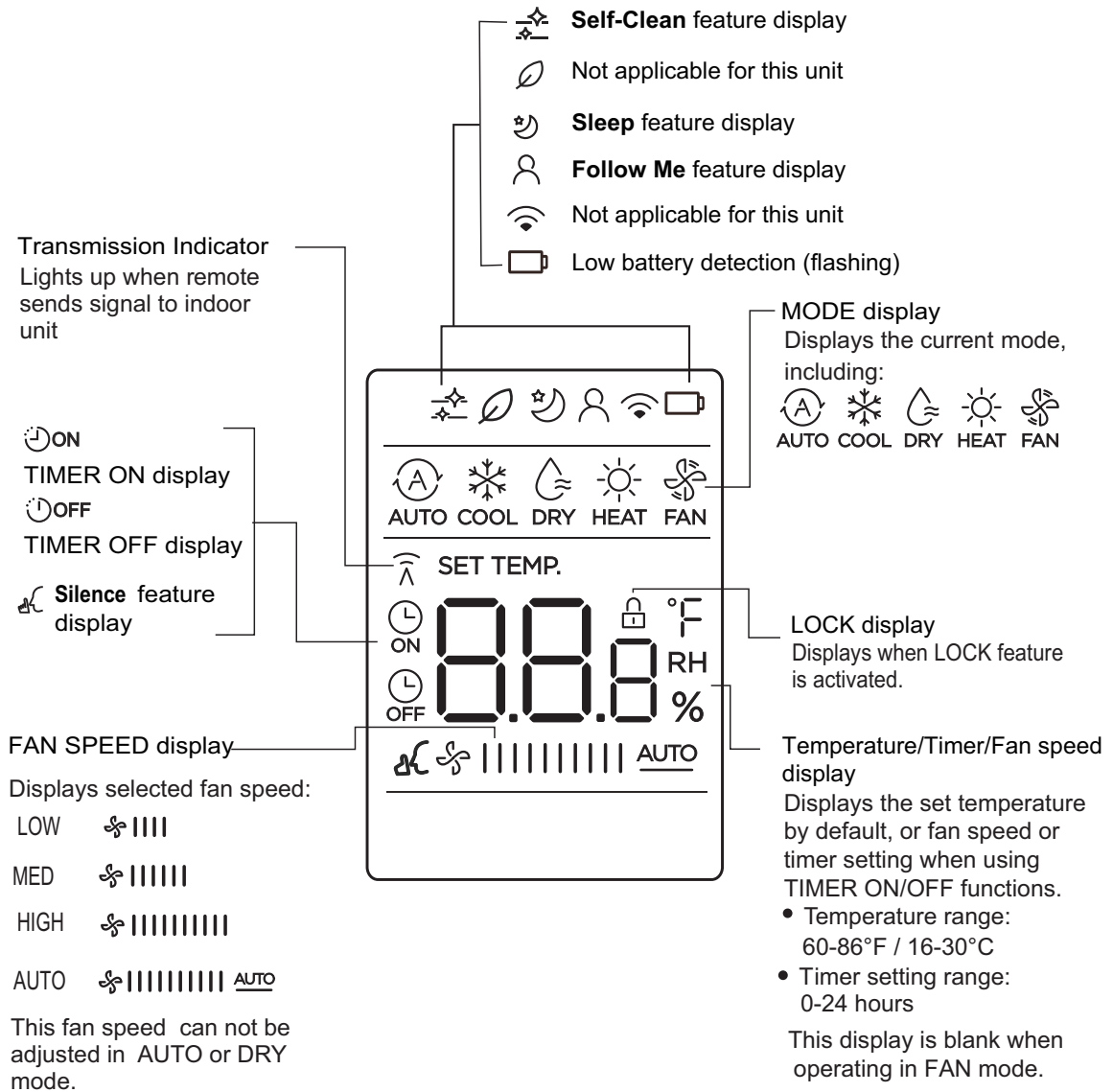
- Turns the LCD display backlight on the indoor unit on or off

NOTE - Press and hold the button for 5 seconds to display the actual room temperature. Press more than 5 seconds to revert back to display set temperature.

REMOTE CONTROLLERS - FURNISHED

WIRELESS REMOTE CONTROLLER INDICATORS (RG10B-DCFC)

Information is displayed when the Wireless Remote Controller is powered on.



Note:
 All icons are shown for display purposes only.
 During actual unit operation, only active icons are displayed.

REMOTE CONTROLLERS - FURNISHED

WIRELESS REMOTE CONTROLLER OPERATION (RG10B-DCFC)

Auto Operation

1. Press the **MODE** button to select Auto.
2. Press the **UP/DOWN** button to set the desired temperature.
3. Press the **ON/OFF** button to start the system.

Cooling /Heating/Fan Operation

1. Press the **MODE** button to select **COOL, HEAT** or **FAN** mode.
2. Press the **UP/DOWN** buttons to set the desired temperature.
3. Press the **FAN** button to select the fan speed in four steps- Auto, Low, Med or High.
4. Press the **ON/OFF** button to start the system.

Dehumidifying (DRY) Operation

1. Press the **MODE** button to select **DRY** mode.
2. Press the **UP/DOWN** buttons to set the desired temperature.
3. Press the **ON/OFF** button to start the system.

NOTE - Fan speed selection is disabled.

Timer ON/OFF Operation

1. Press the **TIMER** button. The remote controller shows **TIMER ON** or **TIMER OFF** icon
2. Press the **TIMER** button again to set desired time. Each time the button is pressed the time increases by 30 minutes between 0 and 10 hours and then by 60 minutes between 10 and 24 hours.
3. After setting the **TIMER ON** or **TIMER OFF** there will be a one second delay before the remote controller transmits the signal to the unit. After approximately 2 seconds the set temperature will re-appear on the LCD display window.

Silence Operation

1. Press the **FAN** button for more than 2 seconds to activate or disable the Silence function

Lock Function

1. Press the **TURBO** and **HUMIDITY** buttons together two times in less than one second to lock the Controller to prevent tampering
2. Press the **TURBO** and **HUMIDITY** together buttons again for two seconds to unlock the Controller

Swing Function

1. Press the **Swing** button to activate parallel louver operation. Louvers oscillate up and down automatically. Press and hold the Swing button again to disable.

NOTE - Pressing the Swing button multiple times will set the louvers at five different fixed airflow angles.

2. Press **Swing** button for 2 seconds to activate upright louver operation. Louvers swing left and right automatically.

SET BUTTON FUNCTIONS

Follow Me

- Allows remote temperature sensing of the room at the remote controller location

REMOTE CONTROLLERS - FURNISHED

WIRED REMOTE CONTROLLER

(FURNISHED WITH DUCTED INDOOR UNITS)

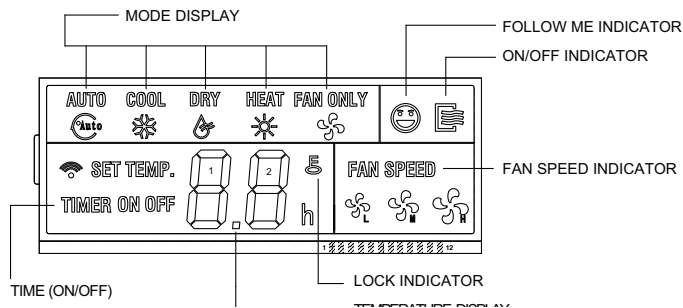
NOTE - Can be ordered separately for non-ducted indoor units.

FEATURES

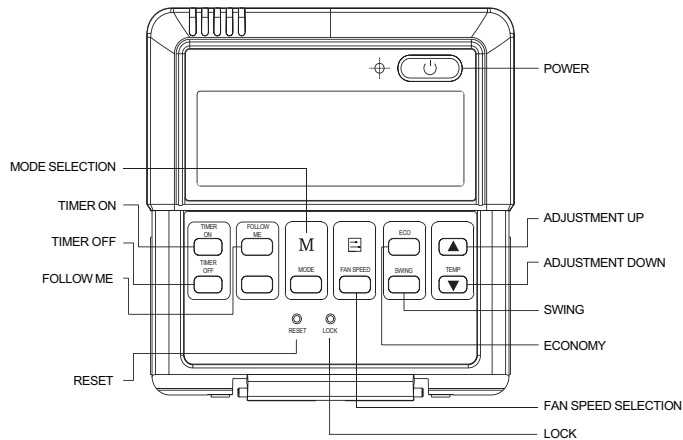
- Permanent Memory - Maintains clock, fan speed and mode of operation settings following power outages
- Dimensions (H x W x D) - 4-3/4 x 4-3/4 x 7/8 in.
- Additional hardware is furnished for installation
- Wiring - Controller uses 5-wire shielded 20 ft. (6 m) cable (furnished) for easy low voltage connection to the indoor unit
- Maximum cable length is 40 ft. (12 m)



DISPLAY



BUTTONS AND FUNCTIONS



MODE Button

- Select system operation modes. Push button to cycle through each setting

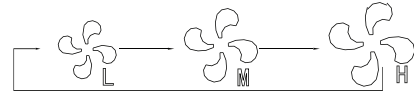


POWER Button

- Turns system on and off

FAN SPEED Button

- Selects fan speed. Each button press cycles through the following settings on display



NOTE - Not available in AUTO mode.

TIMER ON / TIMER OFF Buttons

- TIMER ON (initiates an auto-on time sequence)
- TIMER OFF (initiates an auto-off time sequence) can be used separately or together
- Each press of the button increases the time in 30 minute increments up to 10 hours
- Above 10 hours each press of the button will increase the auto-timed setting by 60 minutes up to 24 hours

NOTE - To cancel, set timer to 0.0.

UP/DOWN Buttons ▲ ▼

- Increase or decrease the indoor temperature in two degree increments (maximum 88°F, minimum 62°F).

NOTE - Temperature cannot be adjusted in FAN mode.

NOTE - Press and hold and buttons together for 3 seconds to alternate the temperature display between the °C and °F scale.

SWING Button

- Used to stop or start horizontal louver auto swing feature

ECONOMY Button

- Maintains the most comfortable temperature and saves energy

RESET Button (Recessed)

- Resets Controller to factory settings. Recessed to prevent tampering

LOCK Button (Recessed)

- Locks Controller buttons to prevent tampering with settings

OPTIONAL ACCESSORIES

Extension Cable for Wired Remote Controller

- 20 ft. cable for easy low voltage connection to the indoor unit
- Extends cable to maximum 40 ft. length

OPTIONAL ACCESSORIES - ORDER SEPARATELY

WIRED PROGRAMMABLE CONTROLLER



- Wired programmable local controller for mini-split indoor units with convenient timed schedules for daily operation
- Up to 8 events per day
- Schedule start time, mode, setpoint, and fan speed
- Compatible with all indoor units
- Copy/paste function for easy duplication of events to other days
- Built-in system diagnostics
- Large, back-lit, easy-to-read LCD screen with digital display

BUTTONS AND FUNCTIONS

POWER Button

- Turn system on and off

FAN SPEED Button

- Scroll through fan speeds (Auto - Low - Med - High)

MODE Button

- Use + and – buttons to scroll through available operation modes (Auto / Cool / Dry / Fan / Heat)

PLUS (+) and MINUS (-) Buttons

- Setpoint adjustment (62-86°F)
- Select days of the week when setting a schedule
- Select mode of operation

SWING Button

- Stop or start horizontal (up/down) louver auto swing
- Controls swing oscillation and louver angle in 6° increments

TIMER Button

- Sets current time of day (24 hour clock)
- Setup weekly schedules or to setup timed operation for the indoor unit
- Stop/Stop timed operation

DAY OFF / DEL Button

- Disable specific days/schedules of the week
- Delete a specific event

CONFIRM Button

- Confirms each step when managing schedules

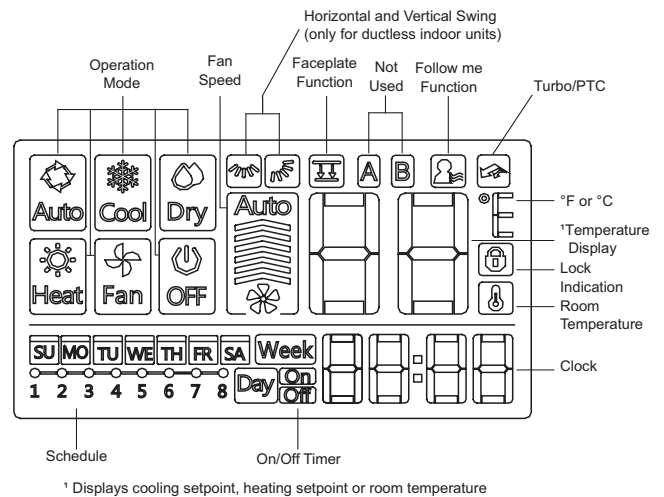
BACK/TURBO Button

- Turbo sets indoor unit fan speed to high for a factory-set time period

COPY/FOLLOW ME Button

- Toggles between room temperature sensing from the indoor unit or the controller

DISPLAY



- Audible tone when a button is pressed (can be disabled)
- Lock function disables buttons to prevent tampering
- Controller uses 4-wire shielded 20 ft. (6 m) cable (furnished) for easy low voltage connection to the indoor unit
- Adaptor cables are furnished for various indoor unit connections

NOTE - Cable for longer lengths must be ordered separately.

NOTE - Maximum cable length is 164 ft. (50 m).

- Hardware for mounting furnished
- Mounts to standard electrical junction box (not furnished)
- Lithium battery furnished
- Power Supply: 5 VDC
- Dimensions (H x W x D): 4-7/8 x 4-3/4 x 3/4 in. (124 x 121 x 19 mm)

OPTIONAL ACCESSORIES

Extension Cable for Wired Programmable Controller

- 20 ft. cable for easy low voltage connection to the indoor unit
- Extends cable to 40 ft. (12 m) length

OPTIONAL ACCESSORIES - ORDER SEPARATELY

OUTDOOR UNITS

Condenser Pad

- Provides permanent foundation for outdoor units
- One-piece lightweight structural foam and molded from high-density polyethylene (HDPE)
- Lightweight, easy to carry and install
- Textured finish provides a non-skid surface so outdoor unit sits securely in one place
- UV stable

Disconnects

- Positive unit disconnect
- Single door enclosure
- Fused and non-fused models available

Fuses

- 30 and 60 amp fuses available

Indoor/Outdoor Wiring Cable

- 14-gauge, 4-conductor wire
- THHN (Thermoplastic High Heat-resistant Nylon-coated) wire
- Suitable for wet or dry locations
- Rated up to 600V

Refrigerant Line Sets

- Refrigerant lines are shipped refrigeration clean
- Lines are cleaned, dried, pressurized and sealed at factory

Wall Brackets

- Heavy duty 1/8 in. thick steel brackets for supporting outdoor units
- Mount at any height to allow for easy maintenance under units
- Pre-punched holes for easy installation
- Powder coated gray finish
- Load rating 600 lbs. per pair

Whips

- Heavy duty electrical whips are available in 8 and 10 gauge sizes
- 6 ft. lengths
- Weatherproof metal conduit

INDOOR UNITS

Condensate Pumps

- Quietly and efficiently removes condensate
- See Optional Accessories Table for available pumps

A/C Easy Tee® Condensate Cleanout

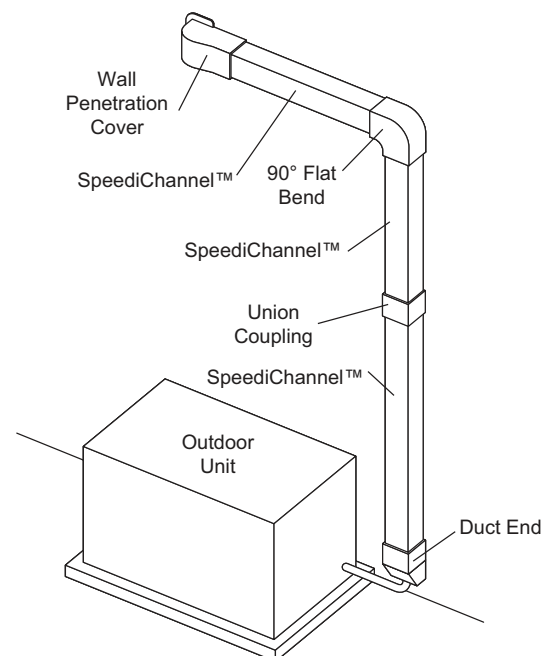
- Condensate drain service port
- Flexible and easy to use with nitrogen, water or shop vac
- Screw cap on top allows easy access to condensate drain line

SPEEDICHANNEL™ SYSTEM



- SpeediChannel™ is a channel system covers system line sets
- Two-part system has a base and a cover
- Base is fastened to a wall or ceiling with plastic clips (SpeediClip™) that snap into a channel already molded into the base
- Cover fits on top of the base
- Manufactured from rigid PVC, which is UL rated and resistant to UV light
- System is a natural color that closely matches typical mini-split outdoor units
- Can be painted as desired to match any wall color

Typical Application



OPTIONAL ACCESSORIES - ORDER SEPARATELY

SPEEDICHANNEL™ SYSTEM (continued)

SpeediChannel™ Starter Kit

- The starter kit includes (1) Coupling, (1) Wall Penetration, (1) Inside Elbow, (1) Long Radius Flat Bend, (10) Speediclips™, (10) 11 in. Cable Ties, and (1) SpeediChannel Instruction Booklet

Duct End

- Duct Ends are used to terminate a run of SpeediChannel™ to a small opening just large enough for the line set and condensate drain line to pass through



Flat Wall Escutcheon

- Flat Wall Escutcheons are used to cover a rough opening in a soffit, wall, or ceiling penetration



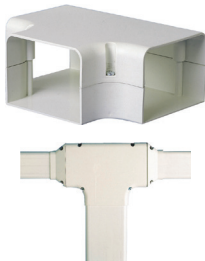
- One side of the escutcheon is flat to allow for a SpeediChannel™ to run along a wall and to penetrate through an adjacent wall or ceiling
- This is the most common type of wall penetration
- Furnished in two parts, the escutcheon easily snaps onto the SpeediChannel™

Flex Joint

- A Flex Joint is an accordion-style piece of SpeediChannel™
- The flex joint can be extremely flexible when routing a SpeediChannel™ system around an obstacle
- Each joint is 20 in. long and can be combined together for longer flex runs
- The flex joint does not require the use of a union coupling
- The flex joint slides tightly inside the SpeediChannel™ system

T-Joint

- T-Joints are used for creating a tee connection between three pieces of SpeediChannel™
- Each tee is individually packed and furnished with stainless steel screws



Union Coupling

- Union Couplings are used for joining two pieces of SpeediChannel™
- Each coupling is individually packed and furnished with stainless steel screws



Wall Penetration Cover

- Wall penetration covers are used to transition from the SpeediChannel™ system to a through wall penetration
- Wall covers are designed to allow for easy installation, even after the line set has been installed
- A hooking and fastening arrangement allows for quick installation
- Each wall cover is individually packed, and furnished with stainless steel screws to attach the wall cover to the base
- Three screws are necessary to fasten the wall cover to the wall construction, regardless of the type of installed system



45° and 90° Flat Bend Elbows

- 45° Flat Bends are used to route the SpeediChannel™ around obstacles
- Each bend is individually packed and furnished with stainless steel screws



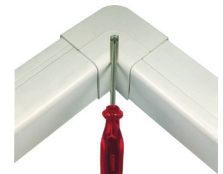
45°



90°

90° Inside Elbow

- 90° Inside Elbows are used to route the SpeediChannel™ around an inside corner
- Each elbow is individually packed and furnished with stainless steel screws



Mount Block White Qty. (2) 14 in. and (2) 36 in.

- Mount Blocks are used as mounting bases when outdoor units must be bolted down
- End caps (for aesthetics) come furnished with mounting bolts
- Maximum load capacity is 900 pounds per mounting block
- Installation temperatures range from -4°F to 140°F
- Mount blocks fit all mini-split outdoor units with a sliding rail feature



SPECIFICATIONS		OUTDOOR UNITS - 1.5 TON 2 TON 2.5 TON		
Nominal Size - Tons		1.5	2	2.5
Outdoor Unit Model No.		MPC018S4M	MPC024S4M	MPC030S4M
Number of Zones		2	Up to 3	Up to 3
Ambient Temperature Range - °F	Cooling	-13 - 122	-13 - 122	-13 - 122
	Heating	-13 - 86	-13 - 86	-13 - 86
Sound Data (dBA)	Cooling	58.5	61	61
	Heating	58.5	61	61
Refrigerant	Charge furnished (R-410A)	4 lbs. 1 oz.	5 lbs. 11 oz.	5 lbs. 11 oz.
	Maximum line length with furnished charge (per zone) - ft.	25	25	25
	Additional charge required per ft. - oz.	0.16	0.16	0.16
Compressor	No. and Type	(1) Rotary	(1) Rotary	(1) Rotary
	Refrigerant oil type	VG74	VG74	VG74
	Refrigerant oil charge - oz.	15.20	21.00	21.00
Connections	Liquid+Gas pipe (in.) flare	(2) 1/4 + (2) 3/8	(3) 1/4 + (3) 3/8	(3) 1/4 + (3) 3/8
	Max pipe. length for all rooms - ft.	131	197	197
	Max. pipe length for one indoor unit - ft.	82	98	98
	Max. height difference between indoor and outdoor units - ft.	49	49	49
	Max. height difference between indoor units - ft.	33	33	33
Outdoor Fan	(No.) Diameter - in.	(1) 21	(1) 22	(1) 22
	Total air volume - cfm	1765	2130	2130
	Motor rpm	750/500	1050/900/850	1050/900/850
Outdoor Coil	Number of rows	2	2	2
	Fins per inch	18	18	18
	Fin type	Hydrophilic Aluminum		
	Tube outside diameter - in.	3/8	3/8	3/8
	Tube type	Rifled Copper Tubing		
	Net face area - ft. ²	5.90	8.18	8.18
Application area - sq. ft.		235 - 345	355 - 515	355 - 515
Design Pressure PSIG		540 / 340	540 / 340	540 / 340
Shipping Data Net/Shipping weight (lbs.)		100 / 109	140 / 151	140 / 151
ELECTRICAL DATA				
Electrical Characteristics - 60 Hz - 1 Phase		208/230V	208/230V	208/230V
¹ Maximum Overcurrent Protection (MOCP) amps		25	30	30
² Minimum circuit ampacity (MCA)		18	24.5	24.5
Outdoor Fan Motor Output - W		80	120	120

NOTE - Extremes of operating range are plus and minus 10% of line voltage.

¹ HACR type circuit breaker or fuse.

² Refer to National or Canadian Electrical Code manual to determine wire, fuse and disconnect size requirements.

NOTE - Adaptors are furnished for the gas pipe connections:

018 - (2) 3/8 x 1/2 in.

030 - (3) 3/8 x 1/2 in.

SPECIFICATIONS		OUTDOOR UNITS - 3 TON 4 TON	
Nominal Size - Tons		3	4
Outdoor Unit Model No.		MPC036S4M	MPC048S4M
Number of Zones		Up to 4	Up to 5
Ambient Temperature Range - °F	Cooling	-13 - 122	-13 - 122
	Heating	-13 - 86	-13 - 86
Sound Data (dBA)	Cooling	63	64
	Heating	63	64
Refrigerant	Charge furnished (R-410A)	8 lbs. 6 oz.	10 lbs. 2 oz.
	Maximum line length with furnished charge (per zone) - ft.	25	25
	Additional charge required per ft. - oz.	0.16	0.16
Compressor	No. and Type	(1) Rotary	(1) Rotary
	Refrigerant oil type	VG74	VG74
	Refrigerant oil charge - oz.	33.80	47.30
Connections	Liquid+Gas+Gas pipe (in.) flare	(4) 1/4 + (3) 3/8 / (1) 1/2"	(5) 1/4 + (3) 3/8 / (2) 1/2"
	Max pipe. length for all rooms - ft.	262	262
	Max. pipe length for one indoor unit - ft.	115	115
	Max. height difference between indoor and outdoor units - ft.	49	49
	Max. height difference between indoor units - ft.	33	33
Outdoor Fan(s)	(No.) Diameter - in.	(1) 22	(2) 22
	Total air volume - cfm	2150	4500
	Motor rpm	1000/900/750	800/700/600
Outdoor Coil	Number of rows	2.6	2
	Fins per inch	16	18
	Fin type	Hydrophilic Aluminum	
	Tube outside diameter - in.	3/8	3/8
	Tube type	Rifled Copper Tubing	
	Net face area - ft. ²	8.16	6.66+6.66
Application area - sq. ft.		515 - 755	690 - 1010
Design Pressure	PSIG	540 / 340	540 / 340
Shipping Data	Net/Shipping weight (lbs.)	169 / 181	224 / 255
ELECTRICAL DATA			
Electrical Characteristics - 60 Hz - 1 Phase		208/230V	208/230V
	¹ Maximum Overcurrent Protection (MOCP) amps	40	50
	² Minimum circuit ampacity (MCA)	25	35
Outdoor Fan Motor	Output - W	120	(2) 85

NOTE - Extremes of operating range are plus and minus 10% of line voltage.

¹ HACR type circuit breaker or fuse.


² Refer to National or Canadian Electrical Code manual to determine wire, fuse and disconnect size requirements.

NOTE - Adaptors are furnished for the gas pipe connections:

036 - (3) 3/8 x 1/2 in. and (1) 1/2 x 3/8 in.

048 - (3) 3/8 x 1/2 in., (2) 1/2 x 3/8 in., (2) 1/4 x 3/8 in. and (2) 1/2 x 5/8 in.

SPECIFICATIONS
WALL-MOUNTED INDOOR UNITS

		Model No.	MWMC006S4	MWMC009S4	MWMC012S4
		Nominal Tons	0.50	0.75	1
Power Supply - 60 hz - 1 phase			208/230V	208/230V	208/230V
Rated load amps			0.25	0.25	0.25
Output (W)			20	20	20
Room Temperature Range (°F)	Cooling		60 - 90	60 - 90	60 - 90
	Heating		32 - 86	32 - 86	32 - 86
Air Volume - cfm (High/Medium/Low)			318/218/168	335/230/176	335/230/176
Sound Data (dBA) - Low/Medium/High			23/32/36	23/34/38	22.5/33.5/36
Piping Connections - Liquid/Gas - o.d. - flare - in.			1/4 / 3/8	1/4 / 3/8	1/4 / 1/2
Drain connection o.d. - in.			1	1	1
Net/Shipping weights - lbs.			23 / 29	23 / 29	23 / 29

SPECIFICATIONS

		Model No.	MWMC018S4	MWMC024S4	MWMC030S4
		Nominal Tons	1.5	2	2.5
Power Supply - 60 hz - 1 phase			208/230V	208/230V	208/230V
Rated load amps			0.13	0.5	0.5
Output (W)			30	58	58
Room Temperature Range (°F)	Cooling		60 - 90	60 - 90	60 - 90
	Heating		32 - 86	32 - 86	32 - 86
Air Volume - cfm (High/Medium/Low)			524/76/306	611/414/319	646/505/382
Sound Data (dBA) - Low/Medium/High			32.5/43/46.5	34/39.5/44	33/40.5/46
Piping Connections - Liquid/Gas - o.d. - flare - in.			1/4 / 1/2	3/8 / 5/8	3/8 / 5/8
Drain connection o.d. - in.			1	1	1
Net/Shipping weights - lbs.			27 / 36	44 / 55	44 / 55

SPECIFICATIONS
CASSETTE INDOOR UNITS


Model No.		M22A009S4	M22A012S4	M22A018S4
Nominal Tons		0.75	1	1.5
Power Supply - 60 hz - 1 phase		208/230V	208/230V	208/230V
Rated load amps		0.9	1.0	1.5
Output (W)		46	46	46
Room Temperature Range (°F)	Cooling	62 - 90	62 - 90	62 - 90
	Heating	32 - 86	32 - 86	32 - 86
Air Volume - cfm (High/Medium/Low)		375/300/255	380/310/260	560/485/415
Sound Data (dBA) - Low/Medium/High		33/37/41	36/39/43	36/39/44
Piping Connections - Liquid/Gas - o.d. - flare - in.		1/4 / 3/8	1/4 / 1/2	1/4 / 1/2
Drain connection o.d. - in.		1	1	1
Net/Shipping weights - lbs.	Body	32 / 38	36 / 41	36 / 42

REQUIRED COMPONENTS - ORDERED SEPARATELY

Cassette Panel		13X04	13X04	13X04
	Net/Shipping weights - lbs.	6 / 10	6 / 10	6 / 10

SPECIFICATIONS

Model No.		M33C024S4	M33C036S4
Nominal Tons		2	3
Power Supply - 60 hz - 1 phase		208/230V	208/230V
Rated load amps		1.0	1.0
Output (W)		45	125
Room Temperature Range (°F)	Cooling	60 - 90	60 - 90
	Heating	32 - 86	32 - 86
Air Volume - cfm (High/Medium/Low)		706 / 635 / 547	947 / 853 / 753
Sound Data (dBA) - Low/Medium/High		43 / 46 / 49	52.5 / 50 / 46.5
Piping Connections - Liquid/Gas - o.d. - flare - in.		3/8 / 5/8	3/8 / 5/8
Drain connection o.d. - in.		1	1
Net/Shipping weights - lbs.	Body	48 / 56	60 / 69

REQUIRED COMPONENTS - ORDERED SEPARATELY

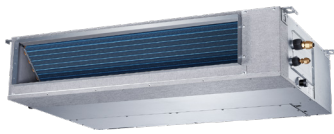
Cassette Panel		22V17	22V17
	Net/Shipping weights - lbs.	14 / 20	14 / 20

SPECIFICATIONS
CEILING/FLOOR MOUNT INDOOR UNITS


Model No.		MCFB018S4	MCFA024S4	MCFA036S4
Nominal Tons		1.5	2	3
Power Supply - 60 hz - 1 phase		208/230V	208/230V	208/230V
Rated load amps		1.65	2.2	1.5
Output (W)		90	90	115
Room Temperature Range (°F)	Cooling	60 - 90	60 - 90	60 - 90
	Heating	32 - 86	32 - 86	32 - 86
Air Volume - cfm (High/Medium/Low)		580/520/465	760/710/600	1035/915/640
Sound Data (dBA) - Low/Medium/High		39/43/46	42/47/51	41/48/52
Piping Connections - Liquid/Gas - o.d. - flare - in.		1/4 / 1/2	3/8 / 5/8	3/8 / 5/8
Drain connection o.d. - in.		1	1	1
Net/Shipping weights - lbs.		58 / 69	61 / 73	69 / 82

SPECIFICATIONS
FLOOR MOUNT CONSOLE INDOOR UNITS


Model No.		MFMA012S4
Nominal Tons		1
Power Supply - 60 hz - 1 phase		208/230V
Rated load amps		1.07
Output (W)		20
Room Temperature Range (°F)	Cooling	60 - 90
	Heating	32 - 86
Air Volume - cfm (High/Medium/Low)		365/318/248
Sound Data (dBA) - Low/Medium/High		33/39/43
Piping Connections - Liquid/Gas - o.d. - flare - in.		1/4 / 1/2
Drain connection o.d. - in.		5/8
Net/Shipping weights - lbs.		33 / 42

SPECIFICATIONS
MEDIUM STATIC DUCTED INDOOR UNITS


Model No.		MMDB009S4	MMDB012S4	MMDB018S4
Nominal Tons		0.75	1	1.5
Power Supply - 60 hz - 1 phase		208/230V	208/230V	208/230V
Rated load amps		1.27	1.37	1.3
Output (W)		55	55	160
Room Temperature Range (°F)	Cooling	60 - 90	60 - 90	60 - 90
	Heating	32 - 86	32 - 86	32 - 86
Air Volume - cfm (High/Medium/Low)		353 / 282 / 176	353 / 282 / 176	529 / 450 / 371
External Static Pressure (in. w.g)		0 - 0.16	0 - 0.16	0 - 0.40
Sound Data (dBA) - Low/Medium/High		27 / 28.5 / 33.5	31 / 34.5 / 38	35 / 37.5 / 40
Piping Connections - Liquid/Gas - o.d. - flare - in.		1/4 / 3/8	1/4 / 1/2	1/4 / 1/2
Drain connection o.d. - in.		1	1	1
Net/Shipping weights - lbs.		38 / 49	38 / 49	54 / 66

SPECIFICATIONS

Model No.		MMDB024S4	MMDB036S4
Nominal Tons		2	3
Power Supply - 60 hz - 1 phase		208/230V	208/230V
Rated load amps		1.7	2.45
Output (W)		160	300
Room Temperature Range (°F)	Cooling	60 - 90	60 - 90
	Heating	32 - 86	32 - 86
Air Volume - cfm (High/Medium/Low)		775 / 693 / 435	1082 / 912 / 703
External Static Pressure (in. w.g)		0 - 0.64	0 - 0.64
Sound Data (dBA) - Low/Medium/High		37 / 41 / 44	40.5 / 43.5 / 48
Piping Connections - Liquid/Gas - o.d. - flare - in.		3/8 / 5/8	3/8 / 5/8
Drain connection o.d. - in.		1	1
Net/Shipping weights - lbs.		87 / 103	106 / 122

AHRI RATINGS

Outdoor Unit Model No.	Number of Zones	System Type	Cooling Btuh	High Temperature Heating Btuh	Low Temperature Heating Btuh	SEER	EER	HSPF (Region IV)	AHRI Reference Number	Energy Star?
MPC18S4M-1P	2	Ducted	18,000	19,000	11,800	19.0	12.0	10.8	207768722	No
		Non-Ducted	18,000	19,000	11,000	22.5	13.3	10.6	207768721	Yes
		Mixed Ducted and Non-Ducted	18,000	19,000	11,400	20.75	12.65	10.7	207768723	No
MPC024S4M-1P	Up to 3	Ducted	24,000	24,000	16,000	15.5	11.0	9.0	207699117	No
		Non-Ducted	24,000	25,000	15,000	24.1	13.0	11.0	207699116	Yes
		Mixed Ducted and Non-Ducted	24,000	24,400	15,500	19.8	12.0	10.0	207699118	No
MPC030S4M-1P	Up to 4	Ducted	28,000	28,000	16,000	19.5	11.2	10.2	207699111	No
		Non-Ducted	28,000	28,000	16,000	23.8	12.5	10.5	207699110	Yes
		Mixed Ducted and Non-Ducted	28,000	28,000	16,000	21.65	11.85	10.35	207699112	No
MPC036S4M-1P	Up to 4	Ducted	36,000	37,000	23,000	19.5	11.0	10.7	207768725	No
		Non-Ducted	36,000	37,000	23,400	23.0	11.5	11.3	207768724	No
		Mixed Ducted and Non-Ducted	36,000	37,000	23,200	21.25	11.25	11.0	207768726	No
MPC048S4M-1P	Up to 5	Ducted	49,000	50,000	30,400	20.5	10.1	11.5	207699102	No
		Non-Ducted	48,000	48,000	29,600	22.4	12.5	11.0	207699101	Yes
		Mixed Ducted and Non-Ducted	48,500	49,000	30,000	21.45	11.3	11.25	207699103	No

NOTE - Per AHRI, the certified ratings for systems are valid for all combinations of indoor units with the specific outdoor units listed above and in the AHRI Directory of Certified Equipment. Please visit <http://www.ahridirectory.org> for further details and latest updates.

¹ Ratings are AHRI certified to AHRI Standard 210/240;

- Cooling Ratings - 95°F wet bulb/75°F dry bulb outdoor air temperature and 80°F dry bulb/67°F wet bulb entering indoor coil air.
- High Temperature Heating Ratings - 47°F dry bulb/43°F wet bulb outdoor air temperature and 70°F dry bulb/60°F wet bulb entering indoor coil air.
- Low Temperature Heating Ratings - 17°F dry bulb/15°F wet bulb outdoor air temperature and 70°F dry bulb/60°F wet bulb entering indoor coil air.

To convert HSPF from Region IV to Region V - Divide by 1.15.

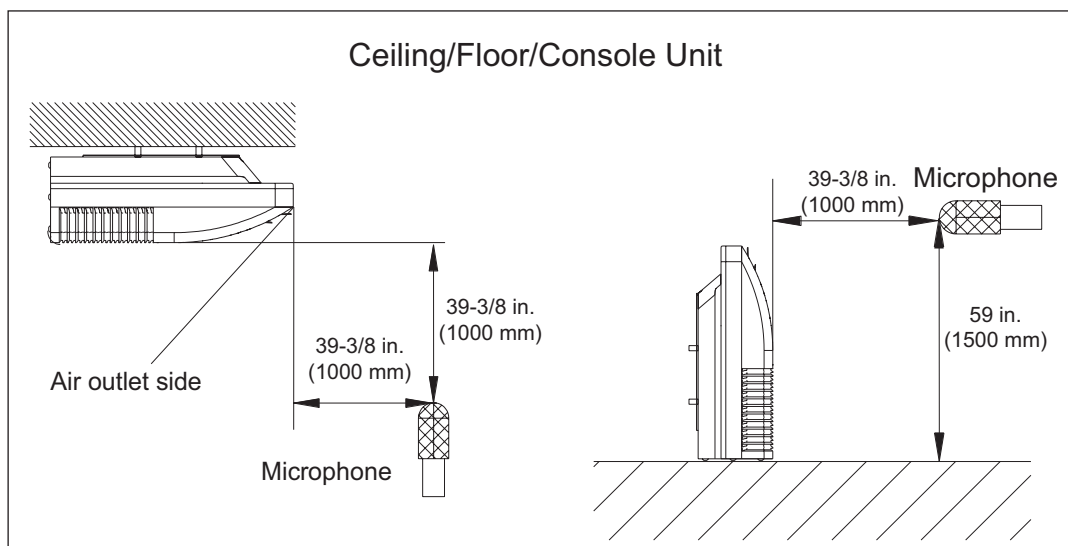
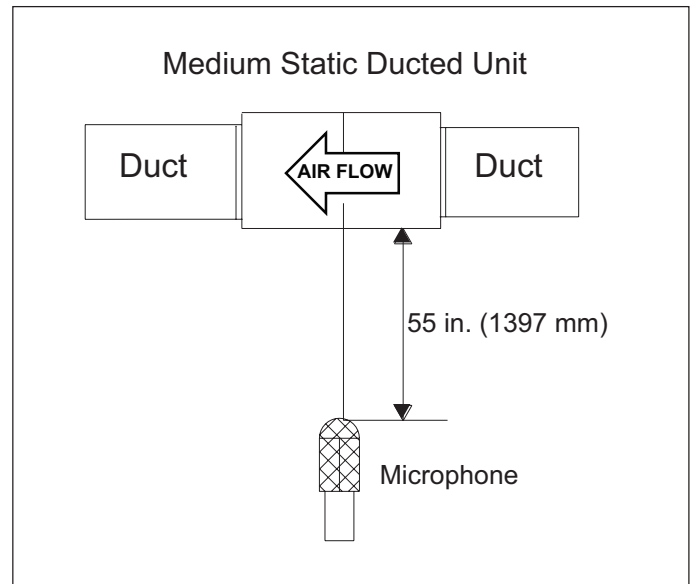
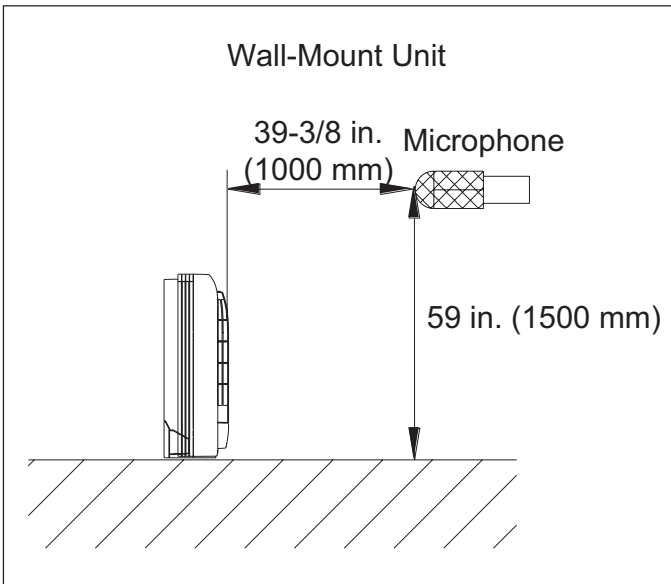
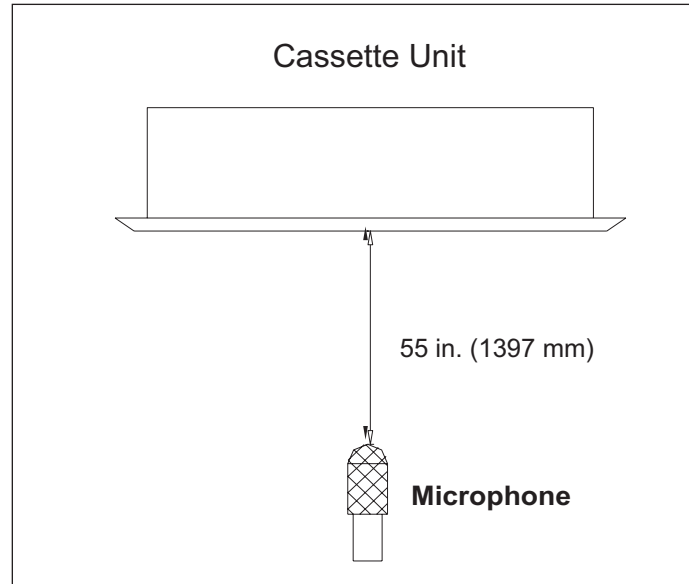
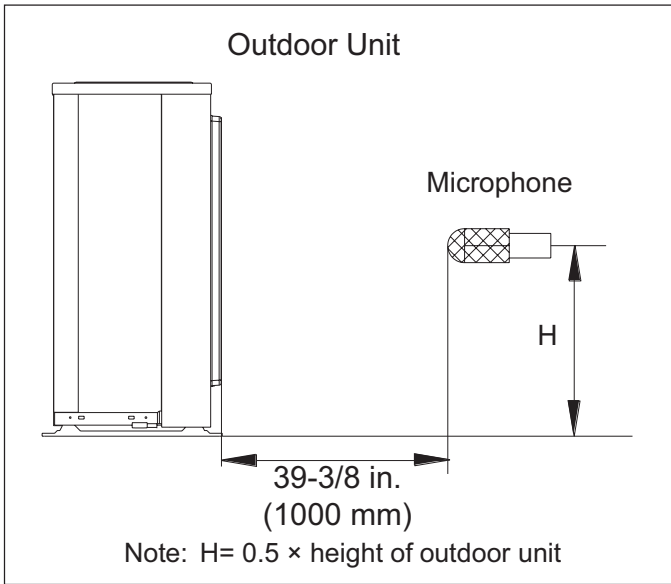
OPTIONAL ACCESSORIES - ORDER SEPARATELY

Description	Catalog No.	Size							
		006	009	012	018	024	030	036	048
OUTDOOR UNIT									
Condenser Pad (18 x 38 x 3)	Y5014								
Disconnects	30 amp, fused, 1 ph	27P37							
	60 amp, non-fused, 1 ph	27P39							
Fuses	30A	83P75							
	60A	83P77							
¹ Line Sets	1/4 in. x 3/8 in. x 25 ft.	90X53							
	1/4 in. x 3/8 in. x 50 ft.	X0258							
	1/4 in. x 1/2 in. x 25 ft.	90X52							
	1/4 in. x 1/2 in. x 50 ft.	X0259							
	3/8 in. x 5/8 in. x 25 ft.	X8406							
	3/8 in. x 5/8 in. x 50 ft.	X8407							
Wall Brackets	30 inch	X1727							
	36 inch	X1728							
Whips	10 Gauge - 1/2 in. x 6 ft.	29P54							
	8 Gauge - 3/4 in. x 6 ft.	27P44							
INDOOR UNIT									
² Diversitech Condensate Pumps with Reservoir	ClearVue Mini™ - 7.9 US gallons per hour, 35 ft. lift - 120-240V	Y5170							N/A
	Mini-Split Pump - 4 US gallons per hour, 20 ft. lift - 115V	Y7946							N/A
	Mini-Split Pump - 4 US gallons per hour, 20 ft. lift - 230V	Y7949							N/A
² Blue Diamond® Condensate Pumps with Reservoir	MicroBlue® - 1.3 US gallons per hour, 6 ft. lift - 110-230V	14T74							N/A
	MaxiBlue® - 3.7 US gallons per hour, 16.5 ft. lift - 208/230V	14T69							N/A
	MegaBlue® - 13.2 US gallons per hour, 23 ft. lift - 208/230V	14T71							
	MultiTank Kit	14T75							
	Sensor Cable Extension - 16 ft.	14T76							
A/C Easy Tee® Condensate Cleanout	Y7947								
CONTROLS									
Wired Remote Controller (Furnished With All Ducted Models)	M0STAT61Q-1	14A66							
Extension Cable for Wired Remote Controller - 20 ft.		Y8008							
NOTE - The Wired Remote Controller above is furnished as standard with the indoor ducted models. As an option, the Wired Remote Controller can be ordered for a wall-mount, cassette, floor console or ceiling/floor mount unit if desired.									
Wired Programmable Controller	M0STAT64Q-2	22U20							
Extension Cable for Wired Programmable Controller - 20 ft.	M0CTRL64Q-1	Y8738							
Indoor/Outdoor Wiring Cable - 14 Gauge, 4 conductor wire, THHN, 250 ft.		Y2067							
SPEEDICHANNEL™ SYSTEM									
SpeediChannel™ Starter Kit - 4 in.		Y3387							
SpeediChannel - 4 in. x 6-1/2 ft. (qty. 6)		Y3388							
Union Coupling - 4 in.		Y3389							
90° Flat Bend Elbow - 4 in.		Y3390							
90° Inside Elbow - 4 in.		Y3391							
45° Flat Bend Elbow - 4 in.		Y3392							
Flex Joint - 4 in.		Y3393							
T-Joint - 4 in.		Y3394							
Duct End - 4 in.		Y3395							
Flat Wall Escutcheon - 4 in.		Y3396							
Wall Penetration Cover - 4 in.		Y3399							
Mount Block (White) Qty, 2 - 14 in.		Y3397							
Mount Block (White) Qty, 2 - 36 in.		Y3398							

¹ See "Outdoor To Indoor Unit Line Connections" tables starting on page 42 for correct refrigerant line adaptors furnished with outdoor units.

² Y7946, Y7949 and 14T74 condensate pumps can be installed inside the indoor units. All other pumps must be installed external to the indoor unit.

SOUND LEVELS - TEST CONDITIONS



MULTI-ZONE SYSTEM COMBINATIONS

NOTE - For multi-zone systems, the total capacity of all indoor units must be 66% to 133% of the outdoor unit capacity.

Outdoor Unit Model No.	Number of Zones	Indoor Unit Capacity					Nominal Cooling Capacity at Rated System Capacity (Btuh)					Nominal Heating Capacity at Rated System Capacity (Btuh)				
		#1	#2	#3	#4	#5	#1	#2	#3	#4	#5	#1	#2	#3	#4	#5
MPC018S4M	2	6K	6K	---	---	---	6,000	6,000	---	---	---	6,700	6,700	---	---	---
		6K	9K	---	---	---	6,000	9,000	---	---	---	6,600	9,900	---	---	---
		6K	12K	---	---	---	6,000	12,000	---	---	---	6,300	12,500	---	---	---
		9K	9K	---	---	---	9,000	9,000	---	---	---	9,500	9,500	---	---	---
		9K	12K	---	---	---	8,000	11,000	---	---	---	8,600	11,500	---	---	---
		12K	12K	---	---	---	10,000	10,000	---	---	---	10,100	10,100	---	---	---
MPC024S4M	2	6K	12K	---	---	---	6,000	12,000	---	---	---	6,500	12,900	---	---	---
		6K	18K	---	---	---	5,000	17,000	---	---	---	6,300	18,900	---	---	---
		9K	9K	---	---	---	9,000	9,000	---	---	---	9,700	9,700	---	---	---
		9K	12K	---	---	---	8,000	11,000	---	---	---	9,700	12,900	---	---	---
		9K	18K	---	---	---	8,000	16,000	---	---	---	9,200	18,300	---	---	---
		12K	12K	---	---	---	11,000	11,000	---	---	---	12,600	12,600	---	---	---
		12K	18K	---	---	---	10,000	15,000	---	---	---	11,600	17,400	---	---	---
		18K	18K	---	---	---	14,000	14,000	---	---	---	14,800	14,800	---	---	---
	3	6K	6K	6K	---	---	7,000	7,000	7,000	---	---	8,500	8,500	8,500	---	---
		6K	6K	9K	---	---	7,000	7,000	10,000	---	---	7,700	7,700	11,500	---	---
		6K	6K	12K	---	---	6,000	6,000	13,000	---	---	7,000	7,000	13,900	---	---
		6K	6K	18K	---	---	6,000	6,000	17,000	---	---	5,900	5,900	17,500	---	---
		6K	9K	9K	---	---	6,000	9,000	9,000	---	---	6,000	9,500	9,500	---	---
		6K	9K	12K	---	---	6,000	9,000	12,000	---	---	6,400	9,500	12,700	---	---
		6K	9K	18K	---	---	5,000	8,000	16,000	---	---	5,400	8,100	16,100	---	---
		6K	12K	12K	---	---	6,000	11,000	11,000	---	---	5,900	11,700	11,700	---	---
		6K	12K	18K	---	---	5,000	10,000	15,000	---	---	5,000	10,000	15,000	---	---
		9K	9K	9K	---	---	9,000	9,000	9,000	---	---	9,500	9,500	9,500	---	---
MPC030S4M	2	6K	12K	---	---	---	6,000	12,000	---	---	---	6,500	12,900	---	---	---
		6K	18K	---	---	---	5,000	17,000	---	---	---	6,300	18,900	---	---	---
		9K	9K	---	---	---	9,000	9,000	---	---	---	9,700	9,700	---	---	---
		9K	12K	---	---	---	8,000	11,000	---	---	---	9,700	12,900	---	---	---
		9K	18K	---	---	---	8,000	16,000	---	---	---	9,200	18,300	---	---	---
		12K	12K	---	---	---	11,000	11,000	---	---	---	12,600	12,600	---	---	---
		12K	18K	---	---	---	10,000	15,000	---	---	---	11,600	17,400	---	---	---
		18K	18K	---	---	---	14,000	14,000	---	---	---	14,800	14,800	---	---	---
	3	6K	6K	6K	---	---	7,000	7,000	7,000	---	---	8,500	8,500	8,500	---	---
		6K	6K	9K	---	---	7,000	7,000	10,000	---	---	7,700	7,700	11,500	---	---
6K		6K	12K	---	---	6,000	6,000	13,000	---	---	7,000	7,000	13,900	---	---	
6K		6K	18K	---	---	6,000	6,000	17,000	---	---	5,900	5,900	17,500	---	---	
6K		9K	9K	---	---	6,000	10,000	10,000	---	---	7,000	10,500	10,500	---	---	
6K		9K	12K	---	---	6,000	9,000	12,000	---	---	6,400	9,500	12,700	---	---	
6K		9K	18K	---	---	5,000	8,000	16,000	---	---	5,400	8,100	16,100	---	---	
6K		12K	12K	---	---	6,000	11,000	11,000	---	---	5,900	11,700	11,700	---	---	
6K		12K	18K	---	---	5,000	10,000	15,000	---	---	5,000	10,000	15,000	---	---	
9K		9K	9K	---	---	9,000	9,000	9,000	---	---	9,500	9,500	9,500	---	---	

MULTI-ZONE SYSTEM COMBINATIONS

NOTE - For multi-zone systems, the total capacity of all indoor units must be 66% to 133% of the outdoor unit capacity.

Outdoor Unit Model No.	Number of Zones	Indoor Unit Capacity					Nominal Cooling Capacity at Rated System Capacity (Btuh)					Nominal Heating Capacity at Rated System Capacity (Btuh)				
		#1	#2	#3	#4	#5	#1	#2	#3	#4	#5	#1	#2	#3	#4	#5
MPC036S4M	2	6K	18K	---	---	---	6,000	18,000	---	---	---	6,400	19,100	---	---	---
		6K	24K	---	---	---	6,000	22,000	---	---	---	6,100	24,200	---	---	---
		9K	18K	---	---	---	9,000	17,000	---	---	---	9,400	18,700	---	---	---
		9K	24K	---	---	---	8,000	21,000	---	---	---	8,800	23,300	---	---	---
		12K	12K	---	---	---	12,000	12,000	---	---	---	12,800	12,800	---	---	---
		12K	18K	---	---	---	11,000	17,000	---	---	---	12,100	18,200	---	---	---
		12K	24K	---	---	---	10,000	20,000	---	---	---	11,100	22,200	---	---	---
		18K	18K	---	---	---	15,000	15,000	---	---	---	16,600	16,600	---	---	---
		18K	24K	---	---	---	13,000	18,000	---	---	---	14,500	19,300	---	---	---
	24K	24K	---	---	---	15,000	15,000	---	---	---	15,700	15,700	---	---	---	
	3	6K	6K	12K	---	---	6,500	6,500	12,900	---	---	6,800	6,800	13,600	---	---
		6K	6K	18K	---	---	6,000	6,000	18,000	---	---	6,300	6,300	18,900	---	---
		6K	6K	24K	---	---	5,500	5,500	22,000	---	---	5,800	5,800	23,200	---	---
		6K	9K	12K	---	---	6,200	9,300	12,500	---	---	6,600	9,800	13,100	---	---
		6K	9K	18K	---	---	5,700	8,600	17,200	---	---	6,100	9,100	18,100	---	---
		6K	9K	24K	---	---	5,300	7,900	21,100	---	---	5,600	8,400	22,200	---	---
		6K	12K	12K	---	---	6,000	12,000	12,000	---	---	6,300	12,600	12,600	---	---
		6K	12K	18K	---	---	5,500	11,000	16,500	---	---	5,800	11,600	17,400	---	---
		6K	12K	24K	---	---	5,000	10,000	20,100	---	---	5,300	10,600	21,200	---	---
		6K	18K	18K	---	---	5,000	15,100	15,100	---	---	5,300	15,900	15,900	---	---
		6K	18K	24K	---	---	4,500	13,600	18,100	---	---	4,800	14,400	19,200	---	---
		9K	9K	9K	---	---	9,300	9,300	9,300	---	---	9,800	9,800	9,800	---	---
		9K	9K	12K	---	---	9,000	9,000	12,000	---	---	9,500	9,500	12,600	---	---
		9K	9K	18K	---	---	8,300	8,300	16,500	---	---	8,700	8,700	17,400	---	---
		9K	9K	24K	---	---	7,500	7,500	20,100	---	---	8,000	8,000	21,200	---	---
		9K	12K	12K	---	---	8,600	11,500	11,500	---	---	9,100	12,100	12,100	---	---
		9K	12K	18K	---	---	7,900	10,500	15,800	---	---	8,400	11,100	16,700	---	---
		9K	12K	24K	---	---	7,200	9,600	19,100	---	---	7,600	10,100	20,200	---	---
		9K	18K	18K	---	---	7,200	14,300	14,300	---	---	7,600	15,200	15,200	---	---
		12K	12K	12K	---	---	11,000	11,000	11,000	---	---	11,600	11,600	11,600	---	---
	12K	12K	18K	---	---	10,000	10,000	15,100	---	---	10,600	10,600	15,900	---	---	
	12K	12K	24K	---	---	9,100	9,100	18,100	---	---	9,600	9,600	19,200	---	---	
	12K	18K	18K	---	---	9,100	13,600	13,600	---	---	9,600	14,400	14,400	---	---	
	4	6K	6K	6K	6K	---	7,200	7,200	7,200	7,200	---	7,700	7,700	7,700	7,700	---
		6K	6K	6K	9K	---	6,900	6,900	6,900	10,400	---	7,400	7,400	7,400	11,000	---
		6K	6K	6K	12K	---	6,600	6,600	6,600	13,200	---	7,000	7,000	7,000	14,000	---
		6K	6K	6K	18K	---	6,000	6,000	6,000	17,900	---	6,400	6,400	6,400	19,000	---
		6K	6K	6K	24K	---	5,300	5,300	5,300	21,400	---	5,700	5,700	5,700	22,600	---
		6K	6K	9K	9K	---	6,600	6,600	9,900	9,900	---	7,000	7,000	10,500	10,500	---
		6K	6K	9K	12K	---	6,300	6,300	9,400	12,600	---	6,700	6,700	10,000	13,300	---
		6K	6K	9K	18K	---	5,700	5,700	8,500	17,000	---	6,000	6,000	9,000	18,000	---
		6K	6K	9K	24K	---	5,000	5,000	7,500	20,100	---	5,300	5,300	8,000	21,200	---
		6K	6K	12K	12K	---	6,000	6,000	12,000	12,000	---	6,400	6,400	12,700	12,700	---
		6K	6K	12K	18K	---	5,300	5,300	10,700	16,000	---	5,700	5,700	11,300	17,000	---
		6K	6K	12K	24K	---	4,700	4,700	9,400	18,900	---	5,000	5,000	10,000	19,900	---
		6K	9K	9K	9K	---	6,300	9,400	9,400	9,400	---	6,700	10,000	10,000	10,000	---
		6K	9K	9K	12K	---	6,000	9,000	9,000	12,000	---	6,400	9,500	9,500	12,700	---
		6K	9K	9K	18K	---	5,300	8,000	8,000	16,000	---	5,700	8,500	8,500	17,000	---
6K		9K	9K	24K	---	4,700	7,100	7,100	18,900	---	5,000	7,500	7,500	19,900	---	
6K		9K	12K	12K	---	5,700	8,500	11,300	11,300	---	6,000	9,000	12,000	12,000	---	
6K		9K	12K	18K	---	5,000	7,500	10,100	15,100	---	5,300	8,000	10,600	15,900	---	
6K		12K	12K	12K	---	5,300	10,700	10,700	10,700	---	5,700	11,300	11,300	11,300	---	
6K		12K	12K	18K	---	4,700	9,400	9,400	14,100	---	5,000	10,000	10,000	14,900	---	
9K		9K	9K	9K	---	9,000	9,000	9,000	9,000	---	9,500	9,500	9,500	9,500	---	
9K		9K	9K	12K	---	8,500	8,500	8,500	11,300	---	9,000	9,000	9,000	12,000	---	
9K		9K	9K	18K	---	7,500	7,500	7,500	15,100	---	8,000	8,000	8,000	15,900	---	
9K		9K	12K	12K	---	8,000	8,000	10,700	10,700	---	8,500	8,500	11,300	11,300	---	
9K	9K	12K	18K	---	7,100	7,100	9,400	14,100	---	7,500	7,500	10,000	14,900	---		
9K	12K	12K	12K	---	7,500	10,100	10,100	10,100	---	8,000	10,600	10,600	10,600	---		
12K	12K	12K	12K	---	9,400	9,400	9,400	9,400	---	10,000	10,000	10,000	10,000	---		

MULTI-ZONE SYSTEM COMBINATIONS

NOTE - For multi-zone systems, the total capacity of all indoor units must be 66% to 133% of the outdoor unit capacity.

Outdoor Unit Model No.	Number of Zones	Indoor Unit Capacity					Nominal Cooling Capacity at Rated System Capacity (Btuh)					Nominal Heating Capacity at Rated System Capacity (Btuh)				
		#1	#2	#3	#4	#5	#1	#2	#3	#4	#5	#1	#2	#3	#4	#5
MPC048S4M	2	9K	24K	---	---	---	9,000	24,000	---	---	---	9,400	25,100	---	---	---
		9K	30K	---	---	---	8,000	29,000	---	---	---	9,100	30,400	---	---	---
		9K	36K	---	---	---	8,000	33,000	---	---	---	8,600	34,500	---	---	---
		12K	24K	---	---	---	11,000	23,000	---	---	---	12,400	24,800	---	---	---
		12K	30K	---	---	---	11,000	28,000	---	---	---	11,900	29,600	---	---	---
		12K	36K	---	---	---	10,000	31,000	---	---	---	11,100	33,200	---	---	---
		18K	18K	---	---	---	17,000	17,000	---	---	---	18,600	18,600	---	---	---
		18K	24K	---	---	---	17,000	22,000	---	---	---	17,800	23,700	---	---	---
		18K	30K	---	---	---	15,000	26,000	---	---	---	16,600	27,600	---	---	---
		18K	36K	---	---	---	14,000	28,000	---	---	---	15,000	30,000	---	---	---
		24K	30K	---	---	---	18,000	23,000	---	---	---	20,000	25,000	---	---	---
		24K	36K	---	---	---	15,000	23,000	---	---	---	17,300	26,000	---	---	---
		30K	30K	---	---	---	19,000	19,000	---	---	---	21,700	21,700	---	---	---
	3	6K	6K	24K	---	---	6,000	6,000	24,000	---	---	6,400	6,400	25,500	---	---
		6K	6K	30K	---	---	6,000	6,000	29,000	---	---	6,100	6,100	30,100	---	---
		6K	6K	36K	---	---	5,000	5,000	33,000	---	---	5,800	5,800	34,300	---	---
		6K	9K	24K	---	---	6,000	9,000	23,000	---	---	6,200	9,300	24,800	---	---
		6K	9K	30K	---	---	6,000	8,000	28,000	---	---	5,900	8,800	29,300	---	---
		6K	9K	36K	---	---	5,000	8,000	32,000	---	---	5,600	8,400	33,500	---	---
		6K	12K	18K	---	---	6,000	12,000	18,000	---	---	6,400	12,800	19,100	---	---
		6K	12K	24K	---	---	6,000	11,000	23,000	---	---	6,100	12,100	24,100	---	---
		6K	12K	30K	---	---	5,000	11,000	27,000	---	---	5,800	11,500	28,600	---	---
		6K	12K	36K	---	---	5,000	10,000	31,000	---	---	5,500	10,900	32,700	---	---
		6K	18K	18K	---	---	6,000	17,000	17,000	---	---	6,100	18,100	18,100	---	---
		6K	18K	24K	---	---	5,000	16,000	22,000	---	---	5,800	17,200	22,900	---	---
		6K	18K	30K	---	---	5,000	15,000	26,000	---	---	5,500	16,400	27,300	---	---
		6K	18K	36K	---	---	5,000	14,000	29,000	---	---	5,300	15,700	31,400	---	---
		6K	24K	24K	---	---	5,000	20,000	20,000	---	---	5,500	21,800	21,800	---	---
		6K	24K	30K	---	---	5,000	19,000	24,000	---	---	5,300	21,000	26,200	---	---
		9K	9K	18K	---	---	9,000	9,000	18,000	---	---	9,600	9,600	19,100	---	---
		9K	9K	24K	---	---	9,000	9,000	23,000	---	---	9,100	9,100	24,100	---	---
		9K	9K	30K	---	---	8,000	8,000	27,000	---	---	8,600	8,600	28,600	---	---
		9K	9K	36K	---	---	8,000	8,000	31,000	---	---	8,200	8,200	32,700	---	---
		9K	12K	12K	---	---	9,000	12,000	12,000	---	---	9,900	13,200	13,200	---	---
		9K	12K	18K	---	---	9,000	12,000	18,000	---	---	9,300	12,400	18,600	---	---
9K		12K	24K	---	---	8,000	11,000	22,000	---	---	8,800	11,800	23,500	---	---	
9K		12K	30K	---	---	8,000	11,000	26,000	---	---	8,400	11,200	27,900	---	---	
9K		12K	36K	---	---	7,000	10,000	30,000	---	---	8,100	10,700	32,100	---	---	
9K		18K	18K	---	---	8,000	17,000	17,000	---	---	8,800	17,600	17,600	---	---	
9K		18K	24K	---	---	8,000	16,000	21,000	---	---	8,400	16,800	22,300	---	---	
9K		18K	30K	---	---	7,000	15,000	25,000	---	---	8,100	16,100	26,700	---	---	
9K		18K	36K	---	---	7,000	14,000	28,000	---	---	7,800	15,500	30,900	---	---	
9K		24K	24K	---	---	7,000	20,000	20,000	---	---	8,100	21,400	21,400	---	---	
9K		24K	30K	---	---	7,000	19,000	23,000	---	---	7,800	20,600	25,700	---	---	
12K		12K	12K	---	---	12,000	12,000	12,000	---	---	12,800	12,800	12,800	---	---	
12K	12K	18K	---	---	11,000	11,000	17,000	---	---	12,100	12,100	18,100	---	---		
12K	12K	24K	---	---	11,000	11,000	22,000	---	---	11,500	11,500	22,900	---	---		
12K	12K	30K	---	---	10,000	10,000	26,000	---	---	10,900	10,900	27,300	---	---		
12K	12K	36K	---	---	10,000	10,000	29,000	---	---	10,500	10,500	31,400	---	---		
12K	18K	18K	---	---	11,000	16,000	16,000	---	---	11,500	17,200	17,200	---	---		
12K	18K	24K	---	---	10,000	15,000	20,000	---	---	10,900	16,400	21,800	---	---		
12K	18K	30K	---	---	10,000	14,000	24,000	---	---	10,500	15,700	26,200	---	---		
12K	24K	24K	---	---	10,000	19,000	19,000	---	---	10,500	21,000	21,000	---	---		
18K	18K	18K	---	---	15,000	15,000	15,000	---	---	16,400	16,400	16,400	---	---		
18K	18K	24K	---	---	14,000	14,000	19,000	---	---	15,700	15,700	21,000	---	---		

MULTI-ZONE SYSTEM COMBINATIONS

NOTE - For multi-zone systems, the total capacity of all indoor units must be 66% to 133% of the outdoor unit capacity.

Outdoor Unit Model No.	Number of Zones	Indoor Unit Capacity					Nominal Cooling Capacity at Rated System Capacity (Btuh)					Nominal Heating Capacity at Rated System Capacity (Btuh)				
		#1	#2	#3	#4	#5	#1	#2	#3	#4	#5	#1	#2	#3	#4	#5
MPC048S4M	4	6K	6K	6K	18K	---	6,000	6,000	6,000	18,000	---	6,500	6,500	6,500	19,400	---
		6K	6K	6K	24K	---	6,000	6,000	6,000	24,000	---	6,300	6,300	6,300	25,100	---
		6K	6K	6K	30K	---	6,000	6,000	6,000	29,000	---	6,100	6,100	6,100	30,100	---
		6K	6K	6K	36K	---	5,000	5,000	5,000	32,000	---	5,700	5,700	5,700	33,800	---
		6K	6K	9K	18K	---	6,000	6,000	9,000	18,000	---	6,400	6,400	9,600	19,100	---
		6K	6K	9K	24K	---	6,000	6,000	9,000	24,000	---	6,200	6,200	9,300	24,600	---
		6K	6K	9K	30K	---	6,000	6,000	8,000	28,000	---	5,900	5,900	8,800	29,200	---
		6K	6K	9K	36K	---	5,000	5,000	8,000	31,000	---	5,500	5,500	8,200	32,500	---
		6K	6K	12K	12K	---	6,000	6,000	12,000	12,000	---	6,500	6,500	12,900	12,900	---
		6K	6K	12K	18K	---	6,000	6,000	12,000	18,000	---	6,300	6,300	12,600	18,900	---
		6K	6K	12K	24K	---	6,000	6,000	11,000	23,000	---	6,100	6,100	12,100	24,100	---
		6K	6K	12K	30K	---	5,000	5,000	11,000	27,000	---	5,700	5,700	11,300	28,200	---
		6K	6K	12K	36K	---	5,000	5,000	10,000	30,000	---	5,200	5,200	10,400	31,000	---
		6K	6K	18K	18K	---	6,000	6,000	17,000	17,000	---	6,100	6,100	18,100	18,100	---
		6K	6K	18K	24K	---	5,000	5,000	16,000	22,000	---	5,700	5,700	16,900	22,600	---
		6K	6K	18K	30K	---	5,000	5,000	15,000	25,000	---	5,200	5,200	15,500	25,800	---
		6K	6K	24K	24K	---	5,000	5,000	20,000	20,000	---	5,200	5,200	20,700	20,700	---
		6K	9K	9K	12K	---	6,000	9,000	9,000	12,000	---	6,500	9,700	9,700	12,900	---
		6K	9K	9K	18K	---	6,000	9,000	9,000	18,000	---	6,300	9,500	9,500	18,900	---
		6K	9K	9K	24K	---	6,000	9,000	9,000	23,000	---	6,100	9,100	9,100	24,100	---
		6K	9K	9K	30K	---	5,000	8,000	8,000	27,000	---	5,700	8,500	8,500	28,200	---
		6K	9K	9K	36K	---	5,000	7,000	7,000	30,000	---	5,200	7,800	7,800	31,000	---
		6K	9K	12K	12K	---	6,000	9,000	12,000	12,000	---	6,400	9,600	12,800	12,800	---
		6K	9K	12K	18K	---	6,000	9,000	12,000	18,000	---	6,200	9,300	12,300	18,500	---
		6K	9K	12K	24K	---	6,000	8,000	11,000	22,000	---	5,900	8,800	11,700	23,400	---
		6K	9K	12K	30K	---	5,000	8,000	10,000	26,000	---	5,500	8,200	10,900	27,100	---
		6K	9K	12K	36K	---	5,000	7,000	9,000	28,000	---	4,900	7,400	9,800	29,300	---
		6K	9K	18K	18K	---	6,000	8,000	17,000	17,000	---	5,900	8,800	17,500	17,500	---
		6K	9K	18K	24K	---	5,000	8,000	16,000	21,000	---	5,500	8,200	16,300	21,700	---
		6K	9K	18K	30K	---	5,000	7,000	14,000	24,000	---	4,900	7,400	14,700	24,500	---
		6K	12K	12K	12K	---	6,000	12,000	12,000	12,000	---	6,300	12,600	12,600	12,600	---
		6K	12K	12K	18K	---	6,000	11,000	11,000	17,000	---	6,100	12,100	12,100	18,100	---
		6K	12K	12K	24K	---	5,000	11,000	11,000	22,000	---	5,700	11,300	11,300	22,600	---
		6K	12K	12K	30K	---	5,000	10,000	10,000	25,000	---	5,200	10,400	10,400	25,800	---
		6K	12K	18K	18K	---	5,000	11,000	16,000	16,000	---	5,700	11,300	16,900	16,900	---
		6K	12K	18K	24K	---	5,000	10,000	15,000	20,000	---	5,200	10,400	15,500	20,700	---
		9K	9K	9K	9K	---	9,000	9,000	9,000	9,000	---	9,700	9,700	9,700	9,700	---
		9K	9K	9K	12K	---	9,000	9,000	9,000	12,000	---	9,600	9,600	9,600	12,800	---
		9K	9K	9K	18K	---	9,000	9,000	9,000	18,000	---	9,300	9,300	9,300	18,500	---
		9K	9K	9K	24K	---	8,000	8,000	8,000	22,000	---	8,800	8,800	8,800	23,400	---
9K	9K	9K	30K	---	8,000	8,000	8,000	26,000	---	8,200	8,200	8,200	27,100	---		
9K	9K	9K	36K	---	7,000	7,000	7,000	28,000	---	7,400	7,400	7,400	29,300	---		
9K	9K	12K	12K	---	9,000	9,000	12,000	12,000	---	9,500	9,500	12,600	12,600	---		
9K	9K	12K	18K	---	9,000	9,000	11,000	17,000	---	9,100	9,100	12,100	18,100	---		
9K	9K	12K	24K	---	8,000	8,000	11,000	22,000	---	8,500	8,500	11,300	22,600	---		

MULTI-ZONE SYSTEM COMBINATIONS

NOTE - For multi-zone systems, the total capacity of all indoor units must be 66% to 133% of the outdoor unit capacity.

Outdoor Unit Model No.	Number of Zones	Indoor Unit Capacity					Nominal Cooling Capacity at Rated System Capacity (Btuh)					Nominal Heating Capacity at Rated System Capacity (Btuh)				
		#1	#2	#3	#4	#5	#1	#2	#3	#4	#5	#1	#2	#3	#4	#5
MPC048S4M	4	9K	9K	12K	30K	---	7,000	7,000	10,000	25,000	---	7,800	7,800	10,400	25,800	---
		9K	9K	18K	18K	---	8,000	8,000	16,000	16,000	---	8,500	8,500	16,900	16,900	---
		9K	9K	18K	24K	---	7,000	7,000	15,000	20,000	---	7,800	7,800	15,500	20,700	---
		9K	12K	12K	12K	---	9,000	12,000	12,000	12,000	---	9,300	12,300	12,300	12,300	---
		9K	12K	12K	18K	---	8,000	11,000	11,000	17,000	---	8,800	11,700	11,700	17,500	---
		9K	12K	12K	24K	---	8,000	10,000	10,000	21,000	---	8,200	10,900	10,900	21,700	---
		9K	12K	12K	30K	---	7,000	9,000	9,000	24,000	---	7,400	9,800	9,800	24,500	---
		9K	12K	18K	18K	---	8,000	10,000	16,000	16,000	---	8,200	10,900	16,300	16,300	---
		9K	12K	18K	24K	---	7,000	9,000	14,000	19,000	---	7,400	9,800	14,700	19,600	---
		12K	12K	12K	12K	---	11,000	11,000	11,000	11,000	---	12,100	12,100	12,100	12,100	---
		12K	12K	12K	18K	---	11,000	11,000	11,000	16,000	---	11,300	11,300	11,300	16,900	---
		12K	12K	12K	24K	---	10,000	10,000	10,000	20,000	---	10,400	10,400	10,400	20,700	---
		12K	12K	18K	18K	---	10,000	10,000	15,000	15,000	---	10,400	10,400	15,500	15,500	---
	6K	6K	6K	6K	9K	6,000	6,000	6,000	6,000	9,000	7,000	7,000	7,000	7,000	10,000	
	6K	6K	6K	6K	12K	6,000	6,000	6,000	6,000	12,000	6,000	6,000	6,000	6,000	13,000	
	6K	6K	6K	6K	18K	6,000	6,000	6,000	6,000	18,000	6,000	6,000	6,000	6,000	19,000	
	6K	6K	6K	6K	24K	6,000	6,000	6,000	6,000	24,000	6,000	6,000	6,000	6,000	25,000	
	6K	6K	6K	6K	30K	6,000	6,000	6,000	6,000	28,000	5,000	5,000	5,000	5,000	29,000	
	6K	6K	6K	6K	36K	5,000	5,000	5,000	5,000	31,000	5,000	5,000	5,000	5,000	32,000	
	6K	6K	6K	9K	9K	6,000	6,000	6,000	9,000	9,000	6,000	6,000	6,000	10,000	10,000	
	6K	6K	6K	9K	12K	6,000	6,000	6,000	9,000	12,000	6,000	6,000	6,000	10,000	13,000	
	6K	6K	6K	9K	18K	6,000	6,000	6,000	9,000	18,000	6,000	6,000	6,000	9,000	19,000	
	6K	6K	6K	9K	24K	6,000	6,000	6,000	9,000	23,000	6,000	6,000	6,000	9,000	24,000	
	6K	6K	6K	9K	30K	5,000	5,000	5,000	8,000	27,000	5,000	5,000	5,000	8,000	28,000	
	6K	6K	6K	9K	36K	5,000	5,000	5,000	7,000	29,000	5,000	5,000	5,000	7,000	31,000	
	6K	6K	6K	12K	12K	6,000	6,000	6,000	12,000	12,000	6,000	6,000	6,000	13,000	13,000	
	6K	6K	6K	12K	18K	6,000	6,000	6,000	12,000	18,000	6,000	6,000	6,000	12,000	18,000	
	6K	6K	6K	12K	24K	6,000	6,000	6,000	11,000	22,000	5,000	5,000	5,000	11,000	23,000	
	6K	6K	6K	12K	30K	5,000	5,000	5,000	10,000	26,000	5,000	5,000	5,000	10,000	27,000	
	6K	6K	6K	18K	18K	6,000	6,000	6,000	17,000	17,000	5,000	5,000	5,000	17,000	17,000	
	6K	6K	6K	18K	24K	5,000	5,000	5,000	16,000	21,000	5,000	5,000	5,000	16,000	21,000	
	6K	6K	9K	9K	9K	6,000	6,000	9,000	9,000	9,000	6,000	6,000	10,000	10,000	10,000	
	6K	6K	9K	9K	12K	6,000	6,000	9,000	9,000	12,000	6,000	6,000	9,000	9,000	13,000	
6K	6K	9K	9K	18K	6,000	6,000	9,000	9,000	18,000	6,000	6,000	9,000	9,000	18,000		
6K	6K	9K	9K	24K	6,000	6,000	8,000	8,000	22,000	5,000	5,000	8,000	8,000	23,000		
6K	6K	9K	9K	30K	5,000	5,000	8,000	8,000	26,000	5,000	5,000	8,000	8,000	27,000		
6K	6K	9K	12K	12K	6,000	6,000	9,000	12,000	12,000	6,000	6,000	9,000	12,000	12,000		
6K	6K	9K	12K	18K	6,000	6,000	9,000	12,000	17,000	6,000	6,000	9,000	12,000	18,000		
6K	6K	9K	12K	24K	5,000	5,000	8,000	11,000	22,000	5,000	5,000	8,000	11,000	22,000		
6K	6K	9K	12K	30K	5,000	5,000	7,000	10,000	24,000	5,000	5,000	7,000	10,000	26,000		
6K	6K	9K	18K	18K	5,000	5,000	8,000	16,000	16,000	5,000	5,000	8,000	17,000	17,000		
6K	6K	9K	18K	24K	5,000	5,000	7,000	15,000	20,000	5,000	5,000	7,000	15,000	21,000		
6K	6K	12K	12K	12K	6,000	6,000	12,000	12,000	12,000	6,000	6,000	12,000	12,000	12,000		
6K	6K	12K	12K	18K	6,000	6,000	11,000	11,000	17,000	5,000	5,000	11,000	11,000	17,000		
6K	6K	12K	12K	24K	5,000	5,000	10,000	10,000	21,000	5,000	5,000	10,000	10,000	21,000		

MULTI-ZONE SYSTEM COMBINATIONS

NOTE - For multi-zone systems, the total capacity of all indoor units must be 66% to 133% of the outdoor unit capacity.

Outdoor Unit Model No.	Number of Zones	Indoor Unit Capacity					Nominal Cooling Capacity at Rated System Capacity (Btuh)					Nominal Heating Capacity at Rated System Capacity (Btuh)				
		#1	#2	#3	#4	#5	#1	#2	#3	#4	#5	#1	#2	#3	#4	#5
MPC048S4M	5	6K	6K	12K	18K	18K	5,000	5,000	10,000	16,000	16,000	5,000	5,000	10,000	16,000	16,000
		6K	9K	9K	9K	9K	6,000	9,000	9,000	9,000	9,000	6,000	9,000	9,000	9,000	9,000
		6K	9K	9K	9K	12K	6,000	9,000	9,000	9,000	12,000	6,000	9,000	9,000	9,000	12,000
		6K	9K	9K	9K	18K	6,000	9,000	9,000	9,000	17,000	6,000	9,000	9,000	9,000	18,000
		6K	9K	9K	9K	24K	5,000	8,000	8,000	8,000	22,000	5,000	8,000	8,000	8,000	22,000
		6K	9K	9K	9K	30K	5,000	7,000	7,000	7,000	24,000	5,000	7,000	7,000	7,000	26,000
		6K	9K	9K	12K	12K	6,000	9,000	9,000	12,000	12,000	6,000	9,000	9,000	12,000	12,000
		6K	9K	9K	12K	18K	6,000	8,000	8,000	11,000	17,000	5,000	8,000	8,000	11,000	17,000
		6K	9K	9K	12K	24K	5,000	8,000	8,000	10,000	21,000	5,000	8,000	8,000	10,000	21,000
		6K	9K	9K	18K	18K	5,000	8,000	8,000	16,000	16,000	5,000	8,000	8,000	16,000	16,000
		6K	9K	12K	12K	12K	6,000	9,000	12,000	12,000	12,000	6,000	9,000	12,000	12,000	12,000
		6K	9K	12K	12K	18K	5,000	8,000	11,000	11,000	16,000	5,000	8,000	11,000	11,000	17,000
		6K	9K	12K	12K	24K	5,000	7,000	10,000	10,000	20,000	5,000	7,000	10,000	10,000	21,000
		6K	12K	12K	12K	12K	6,000	11,000	11,000	11,000	11,000	5,000	11,000	11,000	11,000	11,000
		6K	12K	12K	12K	18K	5,000	10,000	10,000	10,000	16,000	5,000	10,000	10,000	10,000	16,000
		9K	9K	9K	9K	9K	9,000	9,000	9,000	9,000	9,000	9,500	9,500	9,500	9,500	9,500
		9K	9K	9K	9K	12K	9,000	9,000	9,000	9,000	12,000	9,000	9,000	9,000	9,000	12,000
		9K	9K	9K	9K	18K	8,000	8,000	8,000	8,000	17,000	8,000	8,000	8,000	8,000	17,000
		9K	9K	9K	9K	24K	8,000	8,000	8,000	8,000	21,000	8,000	8,000	8,000	8,000	21,000
		9K	9K	9K	12K	12K	9,000	9,000	9,000	12,000	12,000	9,000	9,000	9,000	12,000	12,000
		9K	9K	9K	12K	18K	8,000	8,000	8,000	11,000	16,000	8,000	8,000	8,000	11,000	17,000
		9K	9K	9K	12K	24K	7,000	7,000	7,000	10,000	20,000	7,000	7,000	7,000	10,000	21,000
		9K	9K	12K	12K	12K	8,000	8,000	11,000	11,000	11,000	8,000	8,000	11,000	11,000	11,000
		9K	9K	12K	12K	18K	8,000	8,000	10,000	10,000	16,000	8,000	8,000	10,000	10,000	16,000
		9K	12K	12K	12K	12K	8,000	11,000	11,000	11,000	11,000	8,000	11,000	11,000	11,000	11,000
12K	12K	12K	12K	12K	10,000	10,000	10,000	10,000	10,000	10,000	10,000	10,000	10,000	10,000		

OUTDOOR TO INDOOR UNIT LINE CONNECTIONS - TWO ZONES

MPC018S4M

Number of Zones and Outdoor Unit Connection Sizes

NOTE - Letter = Indoor Unit Zone Connection on Outdoor Unit

Zone 1 (A)	Zone 2 (B)
1/4 in. liq + 3/8 in. gas	1/4 in. liq + 3/8 in. gas
006	006
006	009
006	012
009	009
009	012
012	012

LEGEND:

CLEAR = No adaptors required.

GRAY = 3/8 x 1/2 in. gas pipe adaptor is required for line set connection to outdoor unit (furnished with outdoor unit).

OUTDOOR TO INDOOR UNIT LINE CONNECTIONS - UP TO THREE ZONES

MPC024S4M

Number of Zones and Outdoor Unit Connection Sizes

NOTE - Letter = Indoor Unit Zone Connection on Outdoor Unit

Zone 1 (A)	Zone 2 (B)	Zone 3 (C)
1/4 in. liq + 3/8 in. gas	1/4 in. liq + 3/8 in. gas	1/4 in. liq + 3/8 in. gas
006	012	---
006	018	---
009	009	---
009	012	---
009	018	---
012	012	---
012	018	---
018	018	---
006	006	006
006	006	009
006	006	012
006	006	018
006	009	009
006	009	012
006	009	018
006	012	012
006	012	018
009	009	009
009	009	012
009	009	018
009	012	012
012	012	012

LEGEND:

CLEAR = No adaptors required.

GRAY = 3/8 x 1/2 in. gas pipe adaptor is required for line set connection to outdoor unit (furnished with outdoor unit).

OUTDOOR TO INDOOR UNIT LINE CONNECTIONS - UP TO THREE ZONES

MPC030S4M

Number of Zones and Outdoor Unit Connection Sizes

NOTE - Letter = Indoor Unit Zone Connection on Outdoor Unit

Zone 1 (A)	Zone 2 (B)	Zone 3 (C)
1/4 in. liq + 3/8 in. gas	1/4 in. liq + 3/8 in. gas	1/4 in. liq + 3/8 in. gas
006	012	---
006	018	---
009	009	---
009	012	---
009	018	---
012	012	---
012	018	---
018	018	---
006	006	006
006	006	009
006	006	012
006	006	018
006	009	009
006	009	012
006	009	018
006	012	012
006	012	018
009	009	009
009	009	012
009	009	018
009	012	012
012	012	012

LEGEND:

CLEAR = No adaptors required.

GRAY = 3/8 x 1/2 in. gas pipe adaptor is required for line set connection to outdoor unit (furnished with outdoor unit).

OUTDOOR TO INDOOR UNIT LINE CONNECTIONS - UP TO FOUR ZONES

MPC036S4M

Number of Zones and Outdoor Unit Connection Sizes

NOTE - Letter = Indoor Unit Zone Connection on Outdoor Unit

Zone 1 (A)	Zone 2 (B)	Zone 3 (C)	Zone 4 (D)
1/4 in. liq + 1/2 in. gas	1/4 in. liq + 3/8 in. gas	1/4 in. liq + 3/8 in. gas	1/4 in. liq + 3/8 in. gas
006	018	---	---
006	024	---	---
009	018	---	---
009	024	---	---
012	012	---	---
012	018	---	---
012	024	---	---
018	018	---	---
018	024	---	---
024	024	---	---
006	006	012	---
006	006	018	---
006	006	024	---
006	009	012	---
006	009	018	---
006	009	024	---
006	012	012	---
006	012	018	---
006	012	024	---
006	018	018	---
006	018	024	---
009	009	009	---
009	009	012	---
009	009	018	---
009	009	024	---
009	012	012	---
009	012	018	---
009	012	024	---
009	018	018	---
012	012	012	---
012	012	018	---
012	012	024	---
012	018	018	---
006	006	006	006
006	006	006	009
006	006	006	012
006	006	006	018
006	006	006	024
006	006	009	009
006	006	009	012
006	006	009	018

LEGEND:

CLEAR = No adaptors required.

GRAY = 3/8 x 1/2 in. gas pipe adaptor is required for line set connection to outdoor unit (furnished with outdoor unit).

BLACK = 1/4 x 3/8 in. liquid pipe adaptor is required for line set connection to the 036 outdoor unit (furnished with outdoor unit).

1/2 x 5/8 in. gas pipe adaptor is required for line set connection to the 036 outdoor unit (furnished with outdoor unit).

OUTDOOR TO INDOOR UNIT LINE CONNECTIONS - UP TO FOUR ZONES

MPC036S4M

Number of Zones and Outdoor Unit Connection Sizes

NOTE - Letter = Indoor Unit Zone Connection on Outdoor Unit

Zone 1 (A)	Zone 2 (B)	Zone 3 (C)	Zone 4 (D)
1/4 in. liq + 1/2 in. gas	1/4 in. liq + 3/8 in. gas	1/4 in. liq + 3/8 in. gas	1/4 in. liq + 3/8 in. gas
006	006	009	024
006	006	012	012
006	006	012	018
006	006	012	024
006	009	009	009
006	009	009	012
006	009	009	018
006	009	009	024
006	009	012	012
006	009	012	018
006	012	012	012
006	012	012	018
009	009	009	009
009	009	009	012
009	009	009	018
009	009	012	012
009	009	012	018
009	012	012	012
012	012	012	012

LEGEND:

CLEAR = No adaptors required.

GRAY = 3/8 x 1/2 in. gas pipe adaptor is required for line set connection to outdoor unit (furnished with outdoor unit).

BLACK = 1/4 x 3/8 in. liquid pipe adaptor is required for line set connection to the 036 outdoor unit (furnished with outdoor unit).
 1/2 x 5/8 in. gas pipe adaptor is required for line set connection to the 036 outdoor unit (furnished with outdoor unit).

OUTDOOR TO INDOOR UNIT LINE CONNECTIONS - UP TO FIVE ZONES

MPC048S4M

Number of Zones and Outdoor Unit Connection Sizes

NOTE - Letter = Indoor Unit Zone Connection on Outdoor Unit

Zone 1 (A)	Zone 2 (B)	Zone 3 (C)	Zone 4 (D)	Zone 5 (E)
1/4 in. liq + 1/2 in. gas	1/4 in. liq + 1/2 in. gas	1/4 in. liq + 3/8 in. gas	1/4 in. liq + 3/8 in. gas	1/4 in. liq + 3/8 in. gas
009	024	---	---	---
009	030	---	---	---
009	036	---	---	---
012	024	---	---	---
012	030	---	---	---
012	036	---	---	---
018	018	---	---	---
018	024	---	---	---
018	030	---	---	---
018	036	---	---	---
024	030	---	---	---
024	036	---	---	---
030	030	---	---	---
006	006	024	---	---
006	006	030	---	---
006	006	036	---	---
006	009	024	---	---
006	009	030	---	---
006	009	036	---	---
006	012	018	---	---
006	012	024	---	---
006	012	030	---	---
006	012	036	---	---
006	018	018	---	---
006	018	024	---	---
006	018	030	---	---
006	018	036	---	---
006	024	024	---	---
006	024	030	---	---
009	009	018	---	---
009	009	024	---	---
009	009	030	---	---
009	009	036	---	---
009	012	012	---	---
009	012	018	---	---
009	012	024	---	---
009	012	030	---	---
009	012	036	---	---
009	018	018	---	---
009	018	024	---	---
009	018	030	---	---

LEGEND:

CLEAR = No adaptors required.

GRAY = 3/8 x 1/2 in. gas pipe adaptor is required for line set connection to outdoor unit (furnished with outdoor unit).

BLACK = 1/4 x 3/8 in. liquid pipe adaptor is required for line set connection to the 048 outdoor unit (furnished with outdoor unit).

1/2 x 5/8 in. gas pipe adaptor is required for line set connection to the 048 outdoor unit (furnished with outdoor unit).

OUTDOOR TO INDOOR UNIT LINE CONNECTIONS - UP TO FIVE ZONES

MPC048S4M

Number of Zones and Outdoor Unit Connection Sizes

NOTE - Letter = Indoor Unit Zone Connection on Outdoor Unit

Zone 1 (A)	Zone 2 (B)	Zone 3 (C)	Zone 4 (D)	Zone 5 (E)
1/4 in. liq + 1/2 in. gas	1/4 in. liq + 1/2 in. gas	1/4 in. liq + 3/8 in. gas	1/4 in. liq + 3/8 in. gas	1/4 in. liq + 3/8 in. gas
009	018	036	---	---
009	024	024	---	---
009	024	030	---	---
012	012	012	---	---
012	012	018	---	---
012	012	024	---	---
012	012	030	---	---
012	012	036	---	---
012	018	018	---	---
012	018	024	---	---
012	018	030	---	---
012	024	024	---	---
018	018	018	---	---
018	018	024	---	---
006	006	006	018	---
006	006	006	024	---
006	006	006	030	---
006	006	006	036	---
006	006	009	018	---
006	006	009	024	---
006	006	009	030	---
006	006	009	036	---
006	006	012	012	---
006	006	012	018	---
006	006	012	024	---
006	006	012	030	---
006	006	012	036	---
006	006	018	018	---
006	006	018	024	---
006	006	018	030	---
006	006	024	024	---
006	009	009	012	---
006	009	009	018	---
006	009	009	024	---
006	009	009	030	---
006	009	009	036	---
006	009	012	012	---
006	009	012	018	---
006	009	012	024	---
006	009	012	030	---
006	009	012	036	---

LEGEND:

CLEAR = No adaptors required.

GRAY = 3/8 x 1/2 in. gas pipe adaptor is required for line set connection to outdoor unit (furnished with outdoor unit).

BLACK = 1/4 x 3/8 in. liquid pipe adaptor is required for line set connection to the 048 outdoor unit (furnished with outdoor unit).

1/2 x 5/8 in. gas pipe adaptor is required for line set connection to the 048 outdoor unit (furnished with outdoor unit).

OUTDOOR TO INDOOR UNIT LINE CONNECTIONS - UP TO FIVE ZONES

MPC048S4M

Number of Zones and Outdoor Unit Connection Sizes

NOTE - Letter = Indoor Unit Zone Connection on Outdoor Unit

Zone 1 (A)	Zone 2 (B)	Zone 3 (C)	Zone 4 (D)	Zone 5 (E)
1/4 in. liq + 1/2 in. gas	1/4 in. liq + 1/2 in. gas	1/4 in. liq + 3/8 in. gas	1/4 in. liq + 3/8 in. gas	1/4 in. liq + 3/8 in. gas
006	009	018	018	---
006	009	018	024	---
006	009	018	030	---
006	012	012	012	---
006	012	012	018	---
006	012	012	024	---
006	012	012	030	---
006	012	018	018	---
006	012	018	024	---
009	009	009	009	---
009	009	009	012	---
009	009	009	018	---
009	009	009	024	---
009	009	009	030	---
009	009	009	036	---
009	009	012	012	---
009	009	012	018	---
009	009	012	024	---
009	009	012	030	---
009	009	018	018	---
009	009	018	024	---
009	012	012	012	---
009	012	012	018	---
009	012	012	024	---
009	012	012	030	---
009	012	018	018	---
009	012	018	024	---
012	012	012	012	---
012	012	012	018	---
012	012	012	024	---
012	012	018	018	---
006	006	006	006	009
006	006	006	006	012
006	006	006	006	018
006	006	006	006	024
006	006	006	006	030
006	006	006	006	024
006	006	006	009	009
006	006	006	009	012
006	006	006	009	018
006	006	006	009	024

LEGEND:

CLEAR = No adaptors required.

GRAY = 3/8 x 1/2 in. gas pipe adaptor is required for line set connection to outdoor unit (furnished with outdoor unit).

BLACK = 1/4 x 3/8 in. liquid pipe adaptor is required for line set connection to the 048 outdoor unit (furnished with outdoor unit).

1/2 x 5/8 in. gas pipe adaptor is required for line set connection to the 048 outdoor unit (furnished with outdoor unit).

OUTDOOR TO INDOOR UNIT LINE CONNECTIONS - UP TO FIVE ZONES

MPC048S4M

Number of Zones and Outdoor Unit Connection Sizes

NOTE - Letter = Indoor Unit Zone Connection on Outdoor Unit

Zone 1 (A)	Zone 2 (B)	Zone 3 (C)	Zone 4 (D)	Zone 5 (E)
1/4 in. liq + 1/2 in. gas	1/4 in. liq + 1/2 in. gas	1/4 in. liq + 3/8 in. gas	1/4 in. liq + 3/8 in. gas	1/4 in. liq + 3/8 in. gas
006	006	006	009	030
006	006	006	009	036
006	006	006	012	012
006	006	006	012	018
006	006	006	012	024
006	006	006	012	030
006	006	006	018	018
006	006	006	018	024
006	006	009	009	009
006	006	009	009	012
006	006	009	009	018
006	006	009	009	024
006	006	009	009	030
006	006	009	012	012
006	006	009	012	018
006	006	009	012	024
006	006	009	012	030
006	006	009	018	018
006	006	009	018	024
006	006	012	012	012
006	006	012	012	018
006	006	012	012	024
006	006	012	018	018
006	009	009	009	009
006	009	009	009	012
006	009	009	009	018
006	009	009	009	024
006	009	009	009	030
006	009	009	012	012
006	009	009	012	018
006	009	009	012	024
006	009	009	018	018
006	009	012	012	012
006	009	012	012	018
006	012	012	012	018
009	009	009	009	009
009	009	009	009	012
009	009	009	009	018
009	009	009	009	024

LEGEND:

CLEAR = No adaptors required.

GRAY = 3/8 x 1/2 in. gas pipe adaptor is required for line set connection to outdoor unit (furnished with outdoor unit).

BLACK = 1/4 x 3/8 in. liquid pipe adaptor is required for line set connection to the 048 outdoor unit (furnished with outdoor unit).

1/2 x 5/8 in. gas pipe adaptor is required for line set connection to the 048 outdoor unit (furnished with outdoor unit).

OUTDOOR TO INDOOR UNIT LINE CONNECTIONS - UP TO FIVE ZONES

MPC048S4M

Number of Zones and Outdoor Unit Connection Sizes

NOTE - Letter = Indoor Unit Zone Connection on Outdoor Unit

Zone 1 (A)	Zone 2 (B)	Zone 3 (C)	Zone 4 (D)	Zone 5 (E)
1/4 in. liq + 1/2 in. gas	1/4 in. liq + 1/2 in. gas	1/4 in. liq + 3/8 in. gas	1/4 in. liq + 3/8 in. gas	1/4 in. liq + 3/8 in. gas
009	009	009	012	012
009	009	009	012	018
009	009	009	012	024
009	009	012	012	012
009	009	012	012	018
009	012	012	012	012
012	012	012	012	012

LEGEND:

CLEAR = No adaptors required.

GRAY = 3/8 x 1/2 in. gas pipe adaptor is required for line set connection to outdoor unit (furnished with outdoor unit).

BLACK = 1/4 x 3/8 in. liquid pipe adaptor is required for line set connection to the 048 outdoor unit (furnished with outdoor unit).
 1/2 x 5/8 in. gas pipe adaptor is required for line set connection to the 048 outdoor unit (furnished with outdoor unit).

COOLING CAPACITY

018

Outdoor Temperature - °F (Dry Bulb)	Indoor Temperature - °F (Dry Bulb / Wet Bulb)							
	65°F / 54°F		70°F / 59°F		75°F / 63°F		80°F / 67°F	
	Total mBtuh	Sensible mBtuh	Total mBtuh	Sensible mBtuh	Total mBtuh	Sensible mBtuh	Total mBtuh	Sensible mBtuh
-13	20.93	13.77	22.17	14.50	23.36	15.20	24.80	16.04
-4	22.29	15.09	23.51	15.84	24.72	16.56	25.83	17.20
0	22.55	15.35	23.68	16.03	25.17	16.93	26.22	17.54
5	22.90	15.43	24.08	16.14	25.38	16.91	26.63	17.66
17	22.81	16.07	23.76	16.64	24.93	17.37	26.41	18.30
25	22.83	16.77	23.93	17.48	25.19	18.29	26.35	19.03
35	22.61	16.23	23.70	16.92	24.79	17.58	26.29	18.56
47	22.61	16.36	24.06	17.31	25.51	18.25	26.57	18.92
55	22.07	16.95	23.20	17.71	24.63	18.68	25.66	19.37
65	21.08	16.00	22.12	16.71	23.21	17.45	24.70	18.47
75	20.23	15.79	21.23	16.47	22.56	17.42	23.82	18.32
85	19.33	15.56	20.33	16.26	21.29	16.92	22.45	17.76
95	18.77	15.03	19.68	15.68	20.93	16.59	22.08	17.42
105	18.01	15.56	18.88	16.22	19.85	16.97	20.88	17.74
110	16.84	14.87	17.86	15.69	18.94	16.56	19.87	17.29
115	16.25	14.87	17.01	15.50	17.72	16.07	18.52	16.70
122	14.33	14.24	15.23	15.07	16.03	15.81	16.70	16.40

HEATING CAPACITY

018

Outdoor Temperature - °F (Dry Bulb)	Indoor Temperature - °F (Dry Bulb)			
	60°F	65°F	70°F	75°F
	Total mBtuh	Total mBtuh	Total mBtuh	Total mBtuh
-13	10.12	9.84	9.53	9.17
-4	11.15	10.87	10.59	10.15
0	11.76	11.39	11.06	10.56
5	12.18	11.86	11.51	11.02
17	15.79	15.39	14.98	14.35
20	16.27	15.83	15.39	14.80
25	16.65	16.23	15.77	15.08
32	17.02	16.60	16.13	15.41
35	17.56	17.06	16.52	15.91
40	21.86	21.16	20.54	19.72
47	25.87	25.02	24.41	23.46
50	26.41	25.77	24.99	23.99
57	27.09	26.35	25.63	24.48

COOLING CAPACITY

024

Outdoor Temperature - °F (Dry Bulb)	Indoor Temperature - °F (Dry Bulb / Wet Bulb)							
	65°F / 54°F		70°F / 59°F		75°F / 63°F		80°F / 67°F	
	Total mBtuh	Sensible mBtuh	Total mBtuh	Sensible mBtuh	Total mBtuh	Sensible mBtuh	Total mBtuh	Sensible mBtuh
-13	24.22	15.54	25.69	16.39	26.76	16.97	27.87	17.59
-4	25.74	16.54	26.87	17.15	28.11	17.84	29.65	18.71
0	26.25	18.05	27.49	18.81	28.78	19.59	30.36	20.56
5	26.82	18.89	28.02	19.63	29.81	20.76	31.21	21.60
17	28.08	19.56	29.46	20.43	30.95	21.32	32.61	22.34
25	28.24	20.49	29.48	21.27	30.93	22.19	32.87	23.47
35	28.85	20.78	30.12	21.58	31.50	22.44	33.16	23.48
47	30.83	22.41	32.15	23.22	33.63	24.14	35.73	25.51
55	30.65	23.36	32.19	24.39	33.78	25.47	35.82	26.87
65	30.69	23.50	32.65	24.89	34.33	26.05	35.91	27.11
75	30.59	23.83	32.55	25.23	33.97	26.16	35.99	27.57
85	29.36	22.77	30.84	23.80	32.53	24.94	33.96	25.88
95	27.22	22.00	28.92	23.26	30.35	24.29	32.12	25.57
105	24.18	20.32	25.66	21.44	27.04	22.46	28.26	23.34
110	20.35	18.01	21.46	18.89	22.38	19.59	23.63	20.59
115	18.87	17.97	19.92	18.89	20.93	19.74	21.98	19.14
122	17.23	17.16	18.02	17.88	18.81	18.59	19.78	18.82

HEATING CAPACITY

024

Outdoor Temperature - °F (Dry Bulb)	Indoor Temperature - °F (Dry Bulb)			
	60°F	65°F	70°F	75°F
	Total mBtuh	Total mBtuh	Total mBtuh	Total mBtuh
-13	12.94	12.58	12.26	11.72
-4	14.54	14.10	13.62	13.08
0	15.03	14.66	14.22	13.61
5	15.92	15.38	14.86	14.27
17	17.65	17.06	16.49	15.92
20	18.88	18.42	17.89	17.12
25	20.51	20.01	19.36	18.52
32	21.95	21.42	20.87	19.93
35	23.71	23.13	22.48	21.47
40	25.50	24.71	24.01	23.08
47	30.74	29.73	28.72	27.49
50	36.07	35.05	33.93	32.51
57	36.39	35.40	34.20	32.94
	36.68	35.54	34.44	33.03

COOLING CAPACITY

030

Outdoor Temperature - °F (Dry Bulb)	Indoor Temperature - °F (Dry Bulb / Wet Bulb)							
	65°F / 54°F		70°F / 59°F		75°F / 63°F		80°F / 67°F	
	Total mBtuh	Sensible mBtuh	Total mBtuh	Sensible mBtuh	Total mBtuh	Sensible mBtuh	Total mBtuh	Sensible mBtuh
-13	28.28	18.04	29.99	19.03	31.41	19.81	32.85	20.60
-4	29.52	19.95	30.75	20.64	32.24	21.54	34.22	22.72
0	29.96	19.63	31.47	20.50	33.34	21.60	34.80	22.44
5	29.90	21.13	31.37	22.04	33.34	23.28	35.28	24.48
17	31.09	21.79	32.97	22.99	34.45	23.91	36.19	25.00
25	31.78	22.52	33.56	23.65	35.03	24.56	36.76	25.62
35	32.05	23.43	33.85	24.61	35.67	25.80	37.42	26.91
47	31.93	23.61	33.65	24.75	35.42	25.92	37.05	26.97
55	31.60	24.25	33.12	25.29	35.24	26.77	36.86	27.86
65	31.34	24.10	33.27	25.45	34.80	26.46	36.67	27.72
75	30.92	24.81	32.68	26.07	34.30	27.19	36.48	28.79
85	27.83	21.86	29.48	23.02	31.26	24.28	33.26	25.68
95	26.76	22.22	27.88	23.04	29.07	23.91	30.44	24.90
105	25.44	21.26	26.75	22.22	27.89	23.03	29.05	23.88
110	23.64	21.00	24.93	22.02	26.16	22.99	27.39	23.94
115	22.21	20.44	23.14	21.20	24.28	22.11	25.56	23.15
122	20.19	20.20	21.06	20.98	22.26	22.10	23.33	23.05

HEATING CAPACITY

030

Outdoor Temperature - °F (Dry Bulb)	Indoor Temperature - °F (Dry Bulb)			
	60°F	65°F	70°F	75°F
	Total mBtuh	Total mBtuh	Total mBtuh	Total mBtuh
-13	13.17	12.76	12.45	11.97
-4	14.71	14.25	13.83	13.28
0	15.35	14.87	14.50	13.89
5	16.02	15.56	15.04	14.50
17	19.34	18.80	18.23	17.47
20	21.01	20.32	19.79	18.98
25	22.70	21.98	21.30	20.51
32	24.28	23.55	22.77	21.98
35	25.78	25.03	24.21	23.31
40	31.63	30.83	29.90	28.85
47	36.77	35.73	34.56	33.07
50	37.50	36.27	35.39	33.79
57	38.38	37.41	36.28	34.72

COOLING CAPACITY

036

Outdoor Temperature - °F (Dry Bulb)	Indoor Temperature - °F (Dry Bulb / Wet Bulb)							
	65°F / 54°F		70°F / 59°F		75°F / 63°F		80°F / 67°F	
	Total mBtuh	Sensible mBtuh	Total mBtuh	Sensible mBtuh	Total mBtuh	Sensible mBtuh	Total mBtuh	Sensible mBtuh
-13	33.65	22.23	35.72	23.46	37.49	24.48	39.42	25.62
-4	35.02	22.55	37.09	23.77	38.80	24.71	41.06	25.99
0	36.12	23.94	37.78	24.92	39.90	26.19	41.73	27.25
5	36.44	25.34	38.36	26.51	39.96	27.47	42.33	28.95
17	38.32	27.39	40.63	28.90	42.59	30.14	44.55	31.37
25	39.65	29.35	42.00	30.91	44.49	32.58	46.79	34.06
35	42.03	30.62	44.57	32.30	46.77	33.71	48.77	34.96
47	41.87	30.24	44.08	31.69	46.20	33.01	48.63	34.53
55	41.94	32.71	44.15	34.22	46.52	35.87	48.71	37.31
65	41.35	32.21	43.30	33.51	46.01	35.41	48.80	37.38
75	41.59	32.56	43.78	34.11	46.23	35.80	48.87	37.63
85	38.94	30.76	40.65	31.97	42.56	33.31	45.09	35.08
95	35.10	29.10	36.79	30.33	38.32	31.39	40.56	33.05
105	32.82	28.27	34.91	29.89	36.41	31.00	38.69	32.77
110	31.16	28.49	32.87	29.89	34.64	31.33	36.50	32.81
115	29.51	27.29	30.83	28.35	32.36	29.59	33.70	30.67
122	25.82	25.68	27.15	26.90	28.55	28.18	29.77	29.27

HEATING CAPACITY

036

Outdoor Temperature - °F (Dry Bulb)	Indoor Temperature - °F (Dry Bulb)			
	60°F	65°F	70°F	75°F
	Total mBtuh	Total mBtuh	Total mBtuh	Total mBtuh
-13	20.48	19.86	19.36	18.61
-4	22.78	22.20	21.51	20.69
0	23.94	23.15	22.46	21.58
5	24.83	24.11	23.38	22.54
17	30.28	29.37	28.51	27.23
20	31.28	30.52	29.57	28.36
25	32.30	31.36	30.60	29.52
32	33.64	32.50	31.59	30.32
35	34.59	33.55	32.64	31.46
40	40.83	39.52	38.34	36.73
47	47.21	46.06	44.63	42.98
50	48.24	47.06	45.83	43.81
57	49.48	48.08	46.86	45.08

COOLING CAPACITY

048

Outdoor Temperature - °F (Dry Bulb)	Indoor Temperature - °F (Dry Bulb / Wet Bulb)							
	65°F / 54°F		70°F / 59°F		75°F / 63°F		80°F / 67°F	
	Total mBtuh	Sensible mBtuh	Total mBtuh	Sensible mBtuh	Total mBtuh	Sensible mBtuh	Total mBtuh	Sensible mBtuh
-13	44.92	28.68	47.04	29.89	49.77	31.48	52.89	33.27
-4	46.94	30.47	49.83	32.14	52.45	33.64	55.10	35.15
0	49.02	33.50	51.11	34.74	53.24	35.97	55.93	37.58
5	48.34	32.54	50.51	33.84	53.68	35.76	56.80	37.66
17	49.46	34.57	52.45	36.49	54.98	38.01	57.27	39.34
25	50.18	36.71	52.54	38.23	54.84	39.68	57.19	41.18
35	48.00	35.91	51.01	37.98	54.04	40.04	57.12	42.10
47	50.75	37.34	53.82	39.37	56.24	40.93	59.14	42.82
55	49.84	37.37	52.80	39.35	55.58	41.21	58.26	42.94
65	49.33	38.18	51.76	39.87	55.00	42.17	57.30	43.72
75	48.35	38.18	51.21	40.24	53.46	41.74	56.33	43.77
85	45.50	36.97	47.40	38.33	50.05	40.27	52.97	42.37
95	44.48	35.59	46.62	37.07	48.66	38.48	50.90	40.01
105	40.96	35.00	43.39	36.91	45.29	38.28	48.13	40.43
110	39.11	35.15	41.21	36.83	43.71	38.86	45.81	40.50
115	36.59	34.03	38.11	35.27	39.87	36.70	42.23	38.64
122	32.29	32.09	34.32	33.99	36.12	35.62	37.67	36.99

HEATING CAPACITY

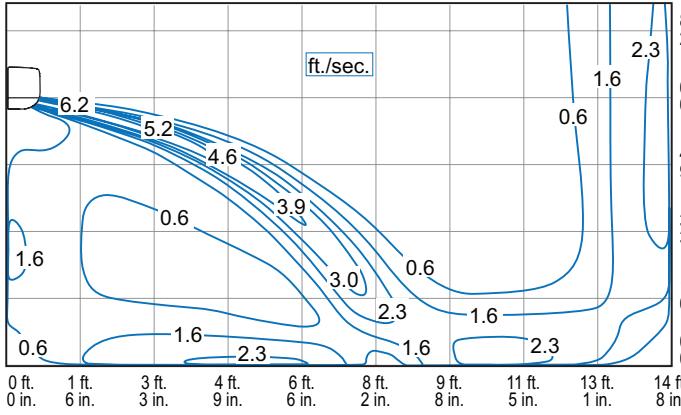
048

Outdoor Temperature - °F (Dry Bulb)	Indoor Temperature - °F (Dry Bulb)			
	60°F	65°F	70°F	75°F
	Total mBtuh	Total mBtuh	Total mBtuh	Total mBtuh
-13	24.10	23.28	22.67	21.81
-4	26.70	25.87	25.19	24.15
0	28.06	27.11	26.29	25.32
5	28.99	28.20	27.38	26.26
17	35.95	34.83	33.88	32.43
20	36.70	35.77	34.86	33.57
25	37.78	36.68	35.78	34.39
32	38.99	37.78	36.68	35.03
35	39.62	38.58	37.60	36.14
40	48.29	47.11	45.60	43.83
47	56.10	54.52	53.14	50.75
50	58.23	56.37	54.47	52.02
57	59.13	57.69	55.80	53.51

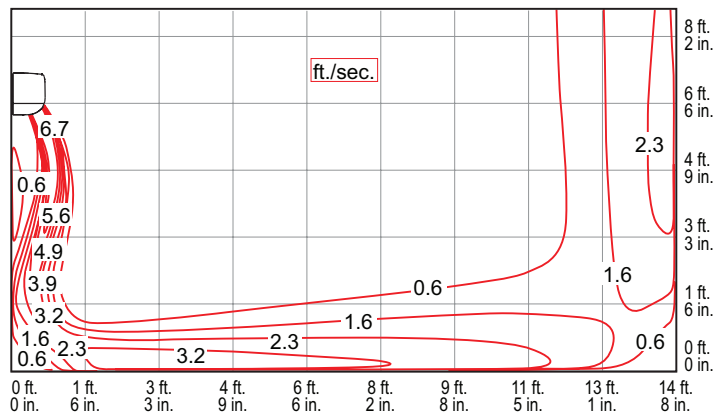
AIR THROW DATA

WALL-MOUNTED INDOOR UNITS

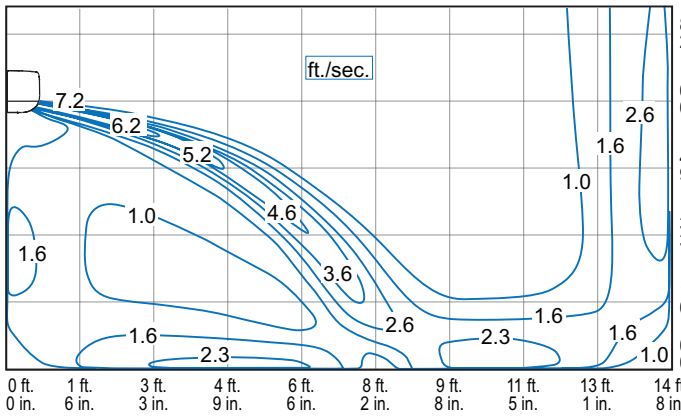
MWMC006S4-1P - COOLING



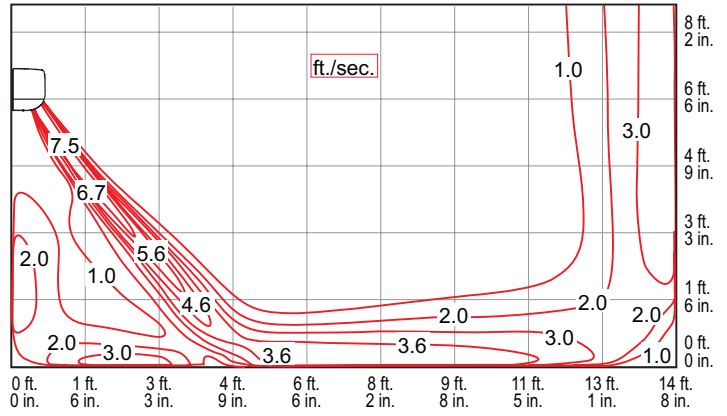
MWMC006S4-1P - HEATING



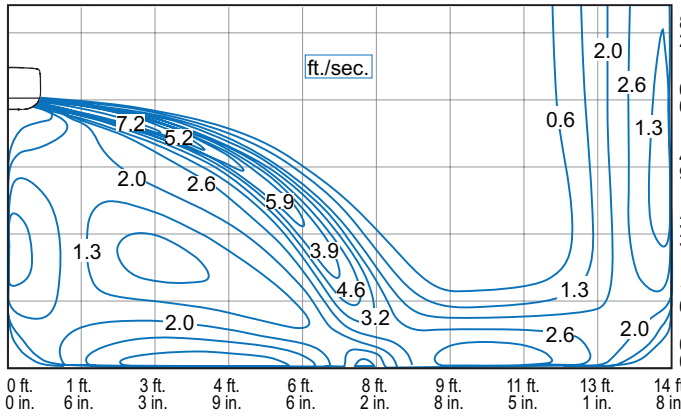
MWMC009S4-1P - COOLING



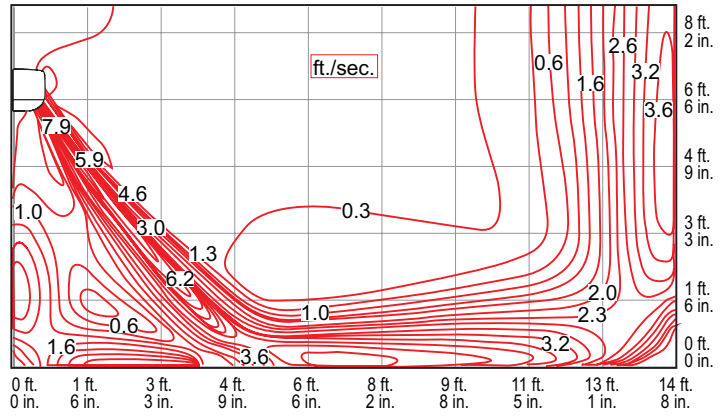
MWMC009S4-1P - HEATING



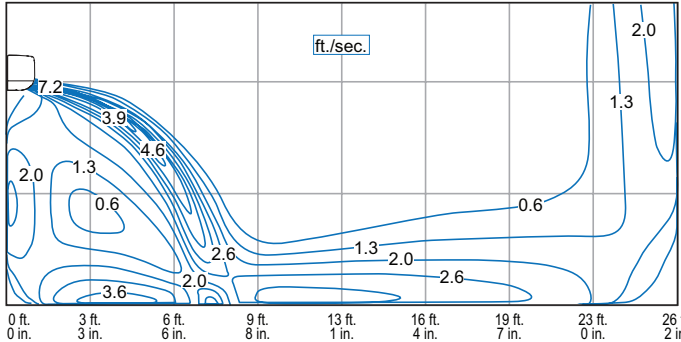
MWMC012S4-1P - COOLING



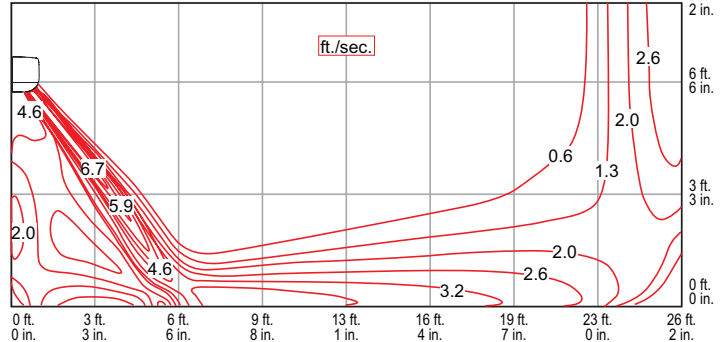
MWMC012S4-1P - HEATING



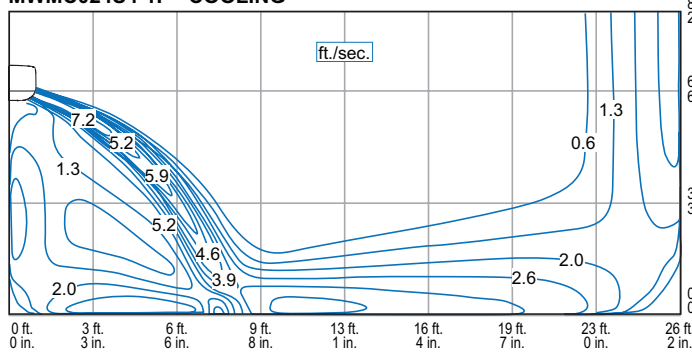
MWMC018S4-1P - COOLING



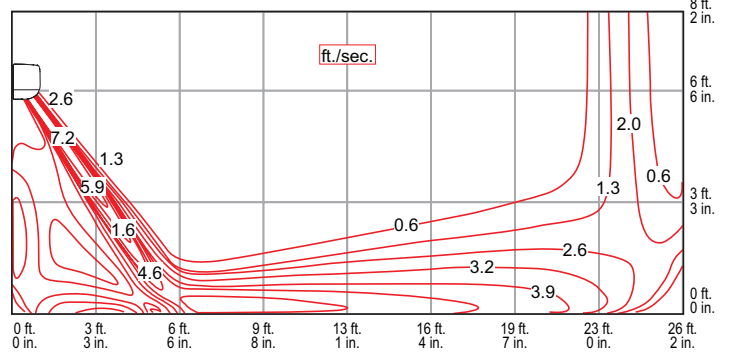
MWMC018S4-1P - HEATING



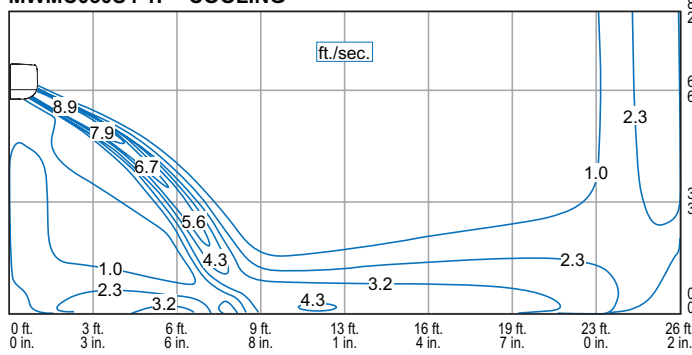
MWMC024S4-1P - COOLING



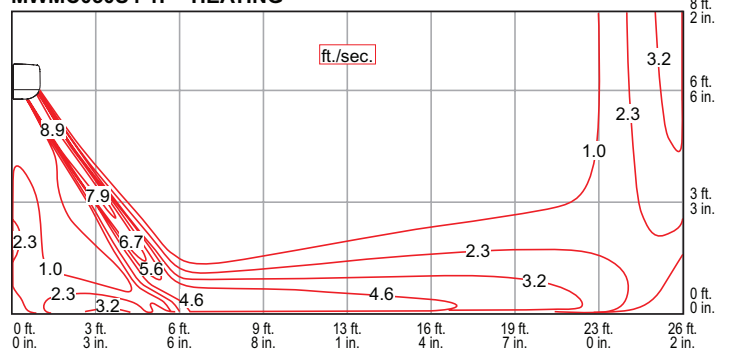
MWMC024S4-1P - HEATING



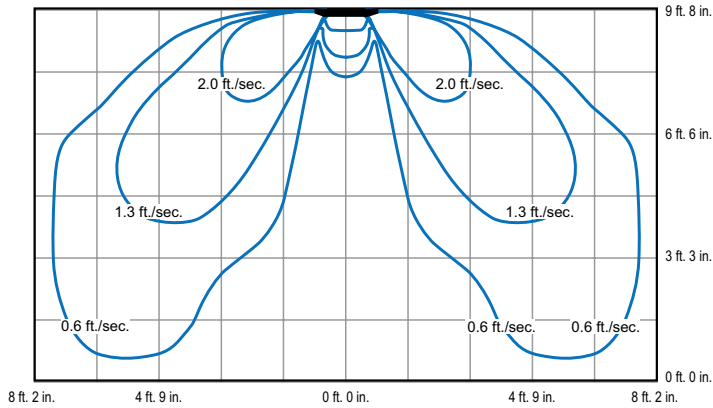
MWMC030S4-1P - COOLING



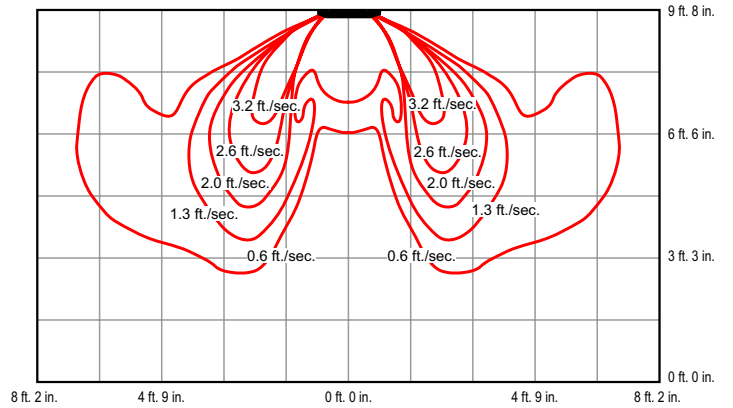
MWMC030S4-1P - HEATING



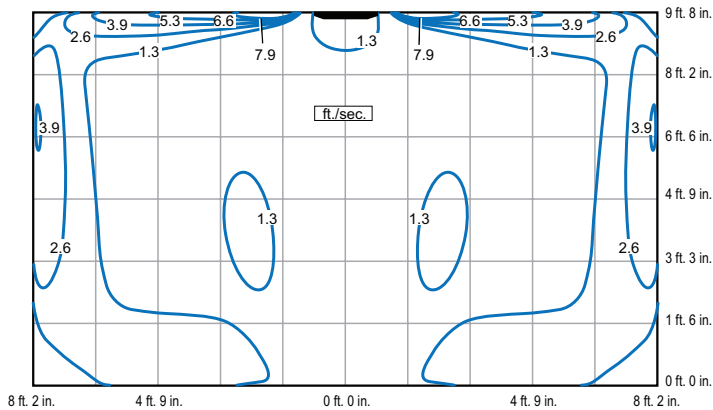
M22A009S4 AND M22A012S4 - COOLING



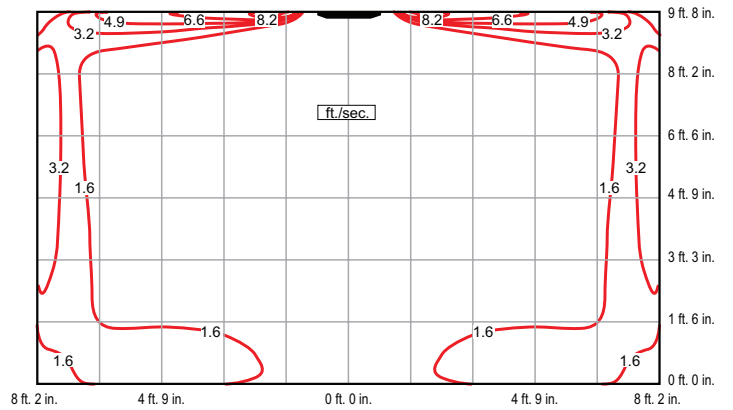
M22A009S4 AND M22A012S4 - HEATING



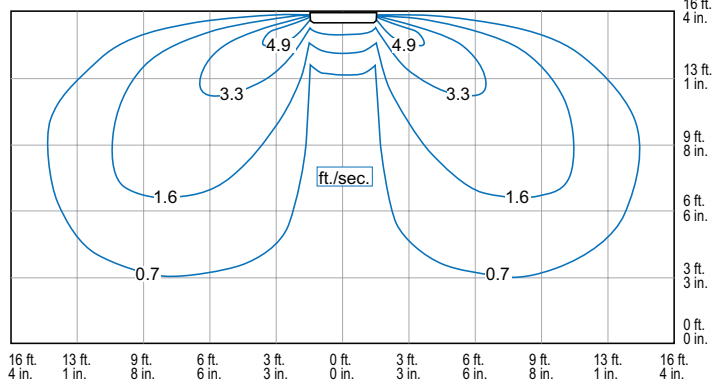
M22A018S4 - COOLING



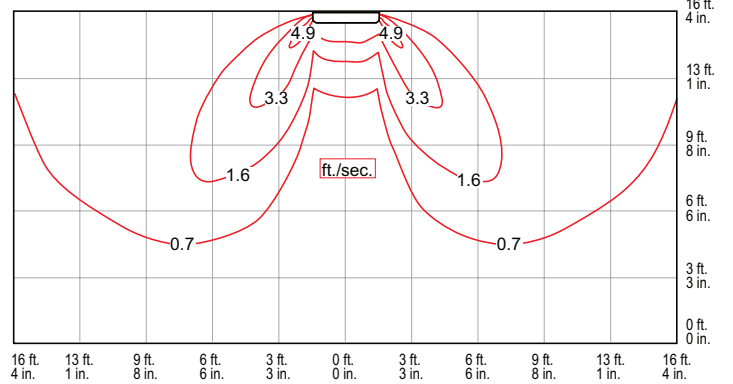
M22A018S4 - HEATING



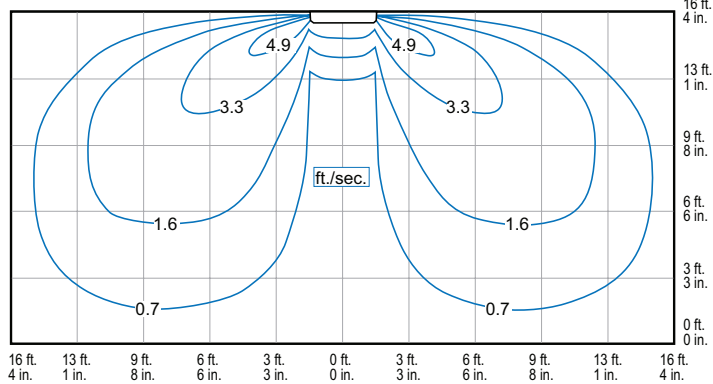
M33C024S4 - COOLING



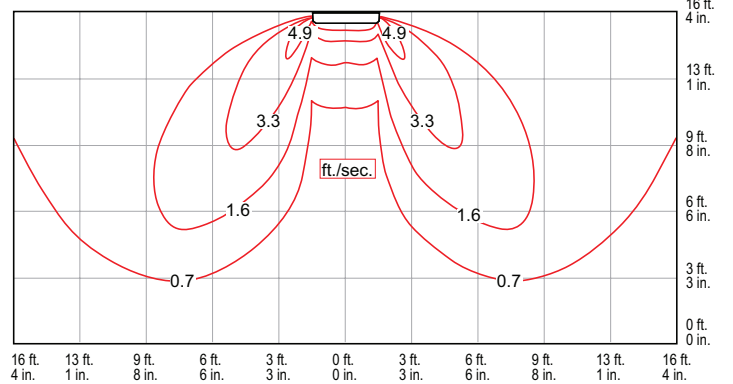
M33C024S4 - HEATING



M33C036S4 - COOLING



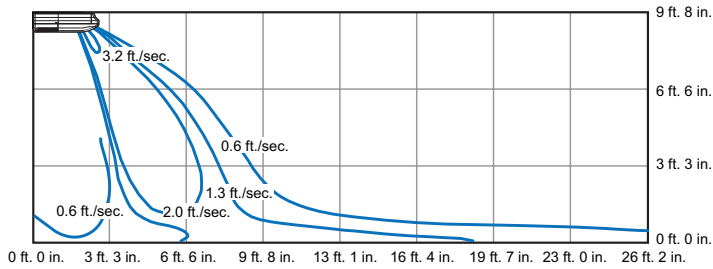
M33C036S4 - HEATING



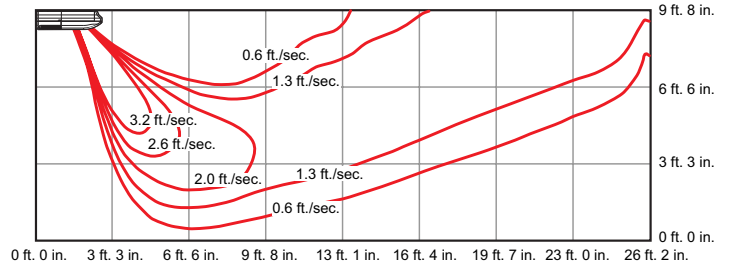
AIR THROW DATA

CEILING/FLOOR MOUNT INDOOR UNITS

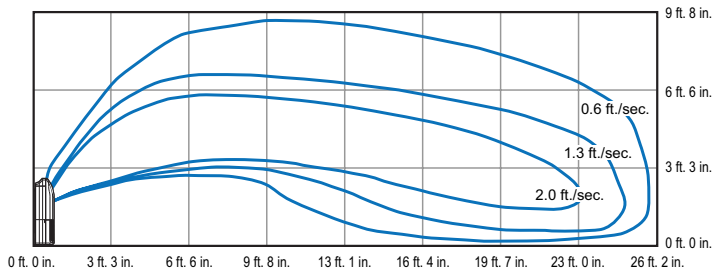
MCFB018S4 AND MCFA024S4 - COOLING - CEILING



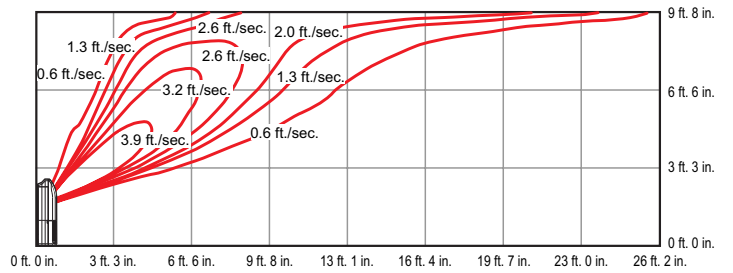
MCFB018S4 AND MCFA024S4 - HEATING - CEILING



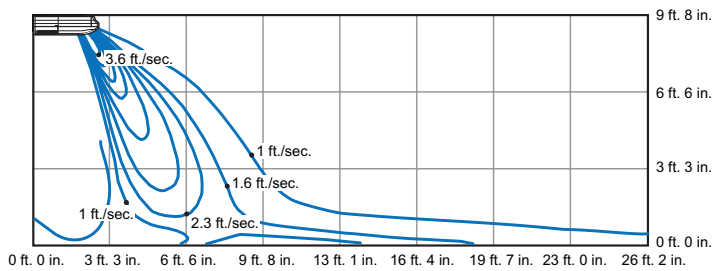
MCFB018S4 AND MCFA024S4 - COOLING - FLOOR



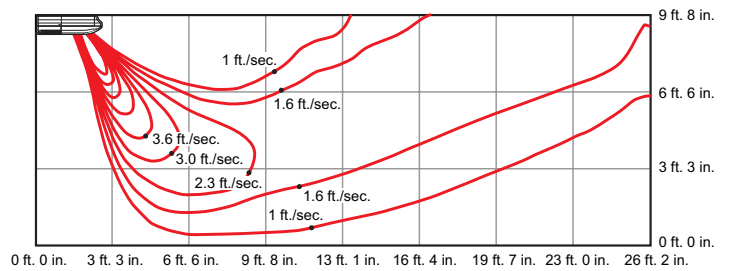
MCFB018S4 AND MCFA024S4 - HEATING - FLOOR



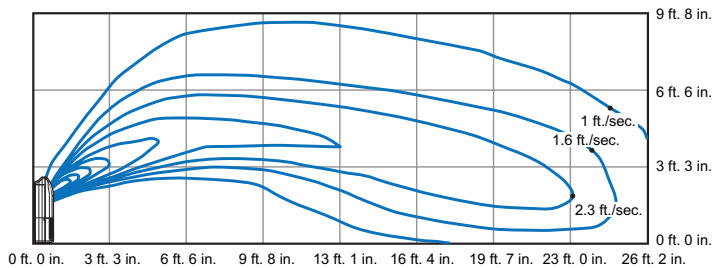
MCFA036S4 - CEILING - COOLING



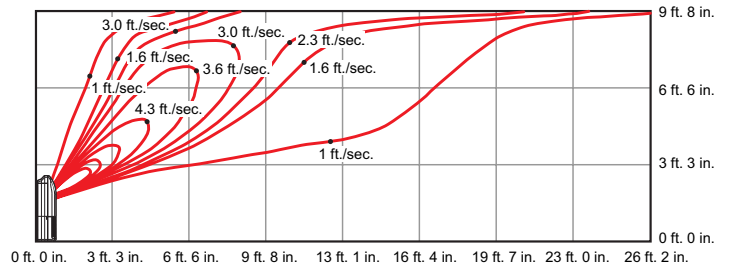
MCFA036S4 - CEILING - HEATING



MCFA036S4 - FLOOR - COOLING

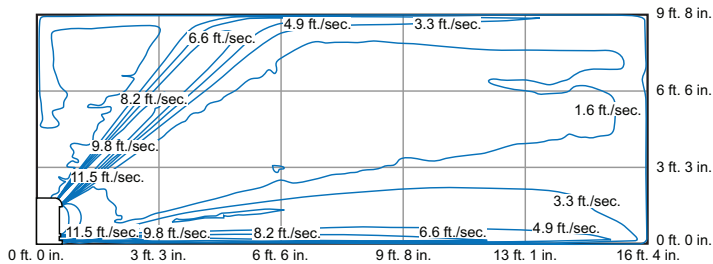


MCFA036S4 - FLOOR - HEATING

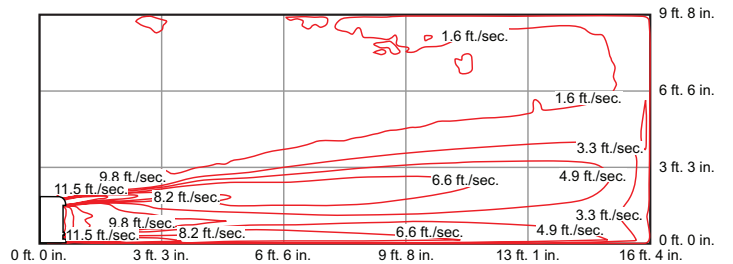


AIR THROW DATA - FLOOR MOUNT CONSOLE INDOOR UNITS

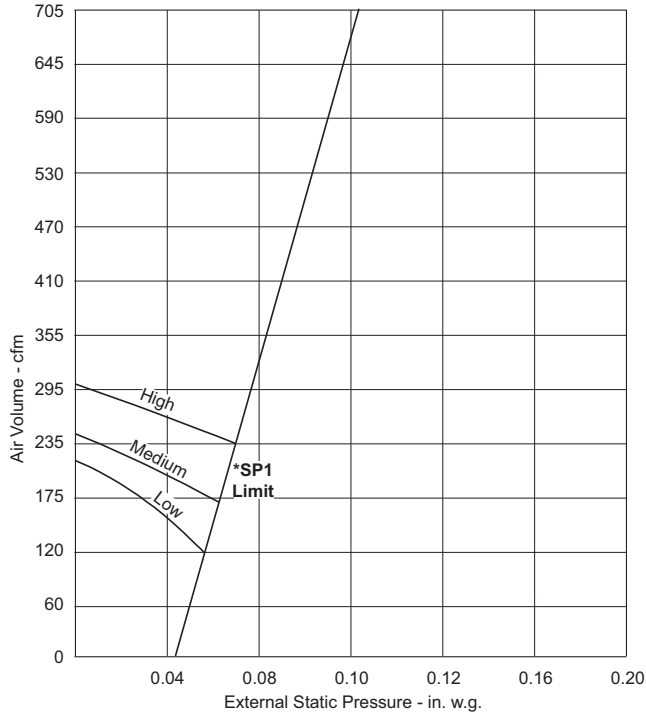
MFMA012S4 - COOLING - FLOOR



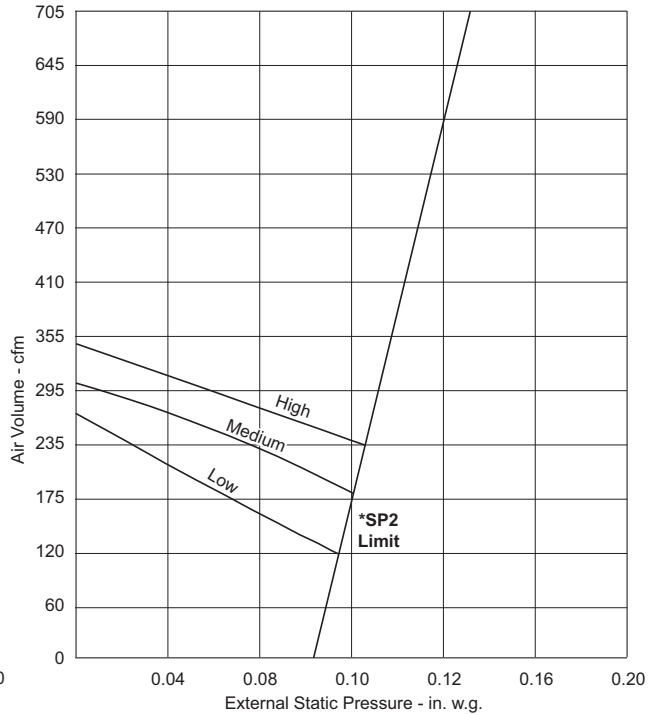
MFMA012S4 - HEATING - FLOOR



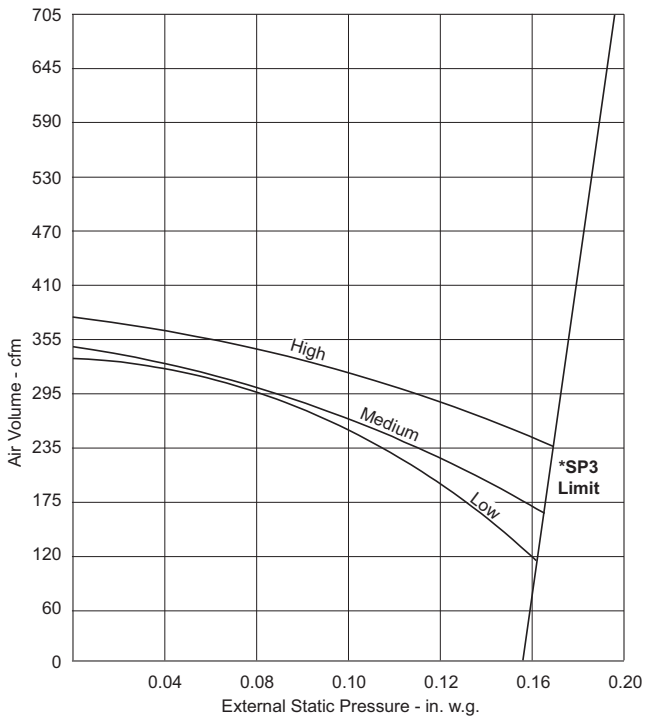
MMDB009S4



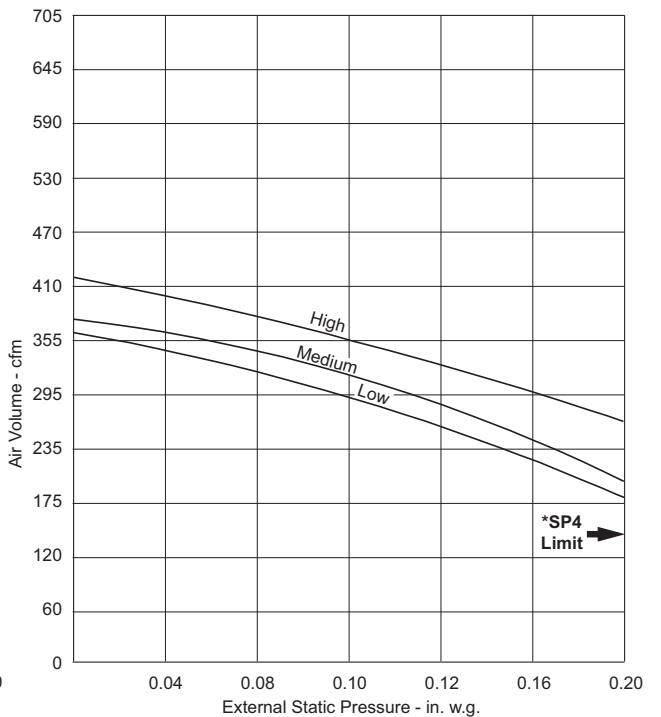
**SP1 Limit airflow rate setting on the controller.*



**SP2 Limit airflow rate setting on the controller.*

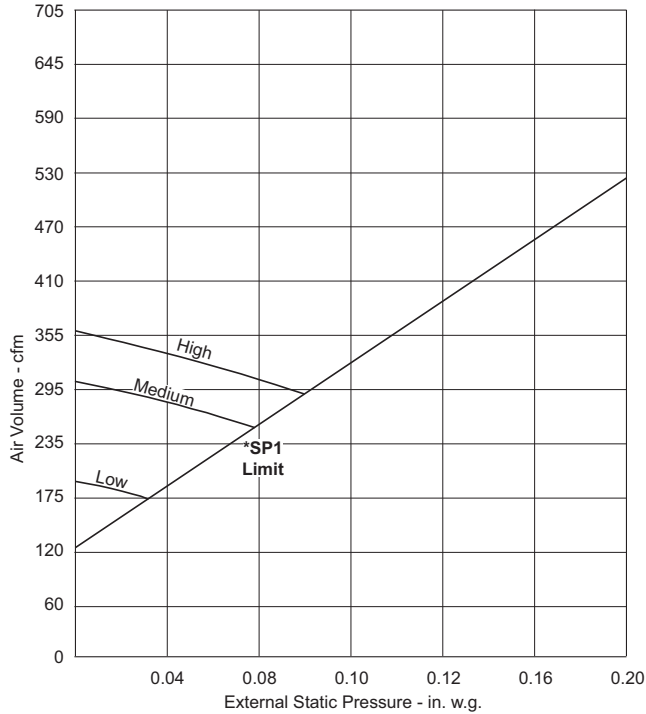


**SP3 Limit airflow rate setting on the controller.*

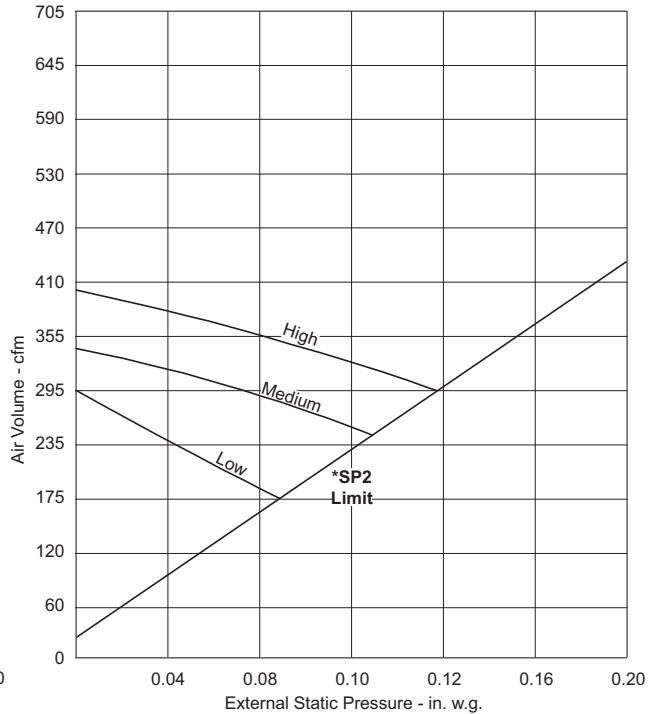


**SP4 Limit airflow rate setting on the controller.*

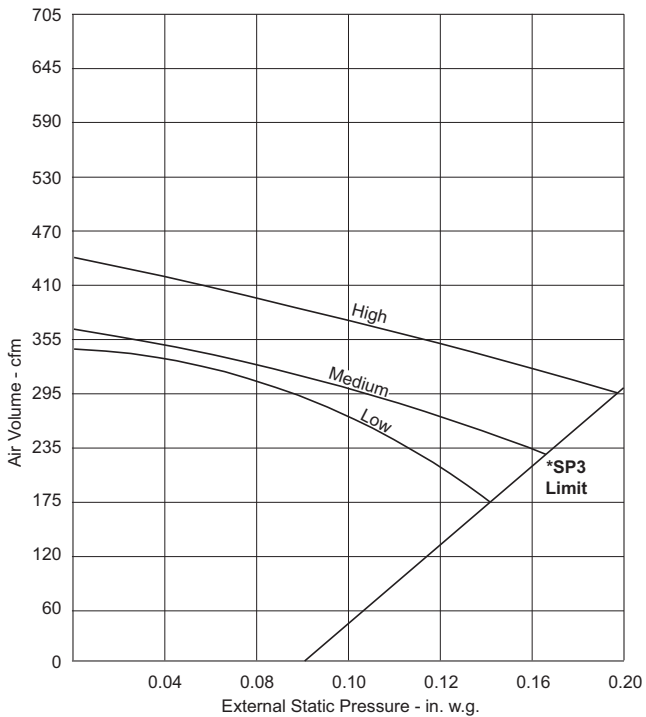
MMDB012S4



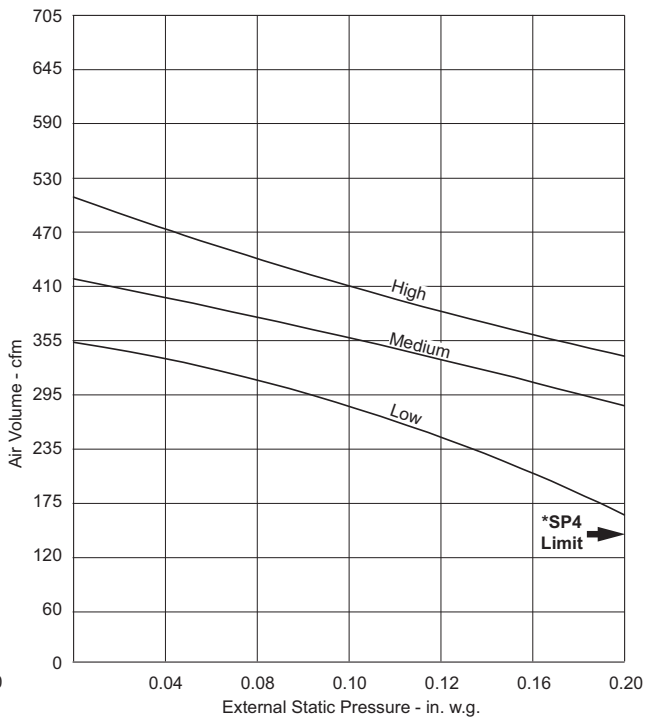
*SP1 Limit airflow rate setting on the controller.



*SP2 Limit airflow rate setting on the controller.

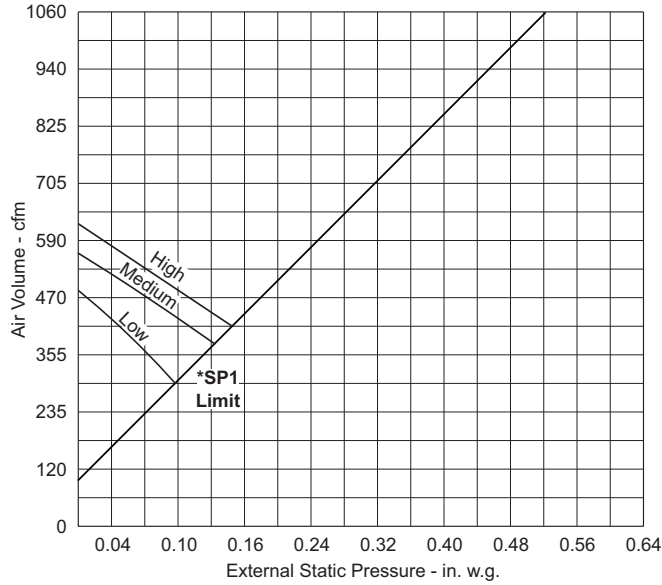


*SP3 Limit airflow rate setting on the controller.

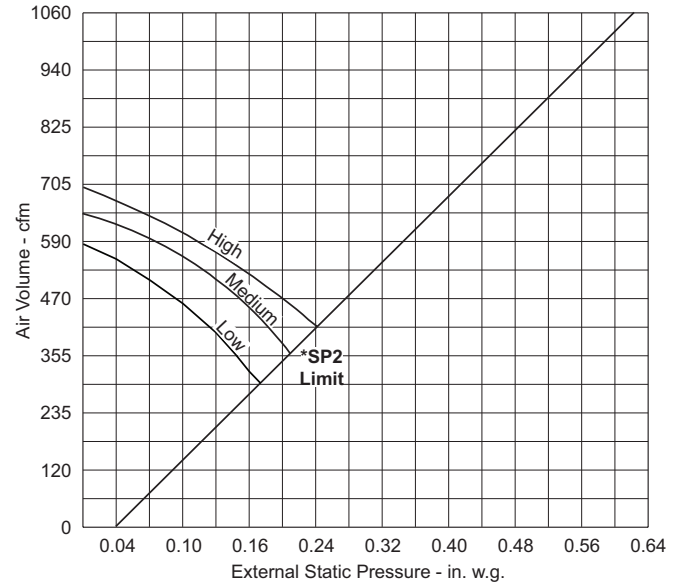


*SP4 Limit airflow rate setting on the controller.

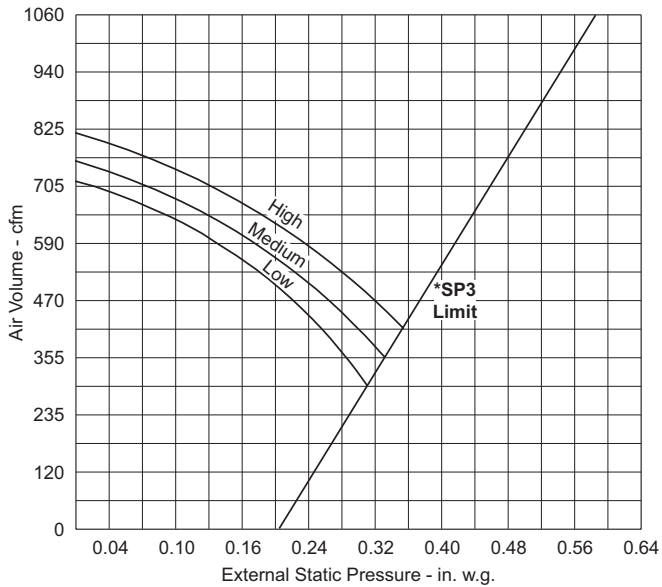
MMDB018S4



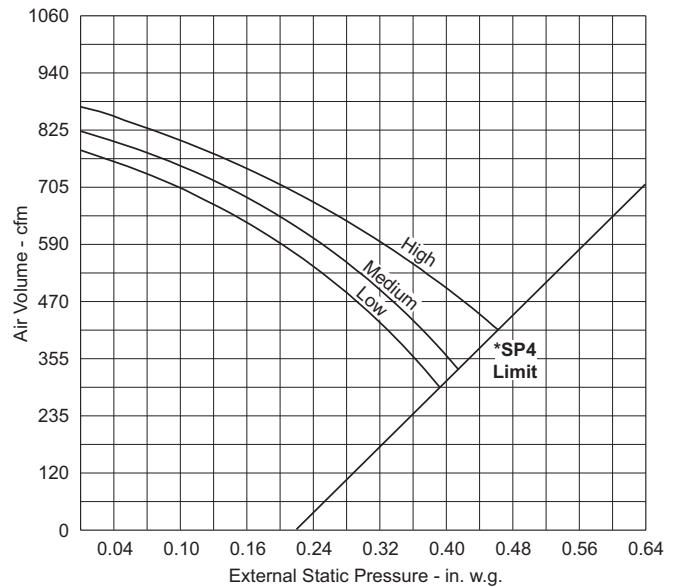
**SP1 Limit airflow rate setting on the controller.*



**SP2 Limit airflow rate setting on the controller.*

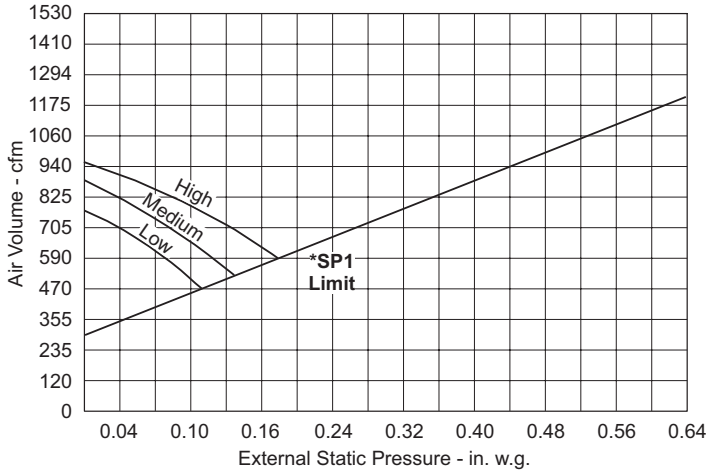


**SP3 Limit airflow rate setting on the controller.*

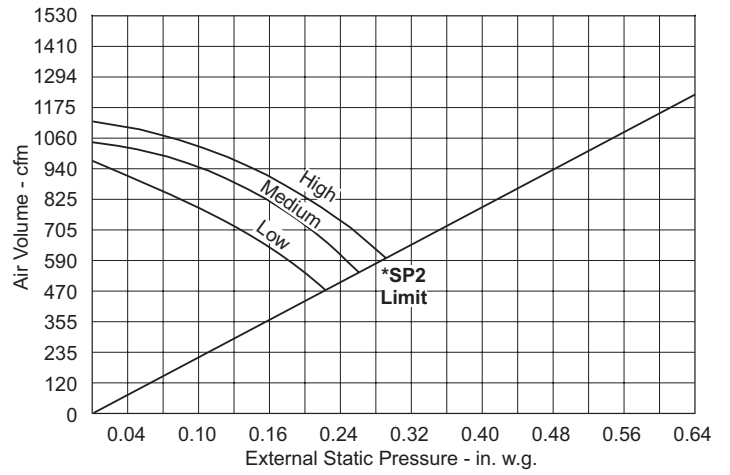


**SP4 Limit airflow rate setting on the controller.*

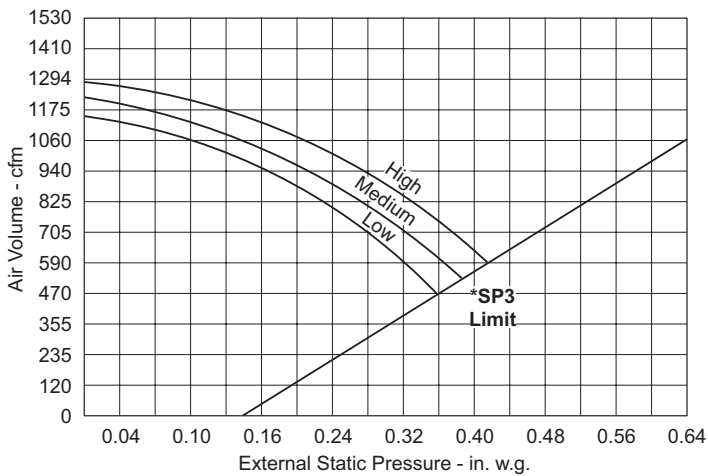
MMDB024S4



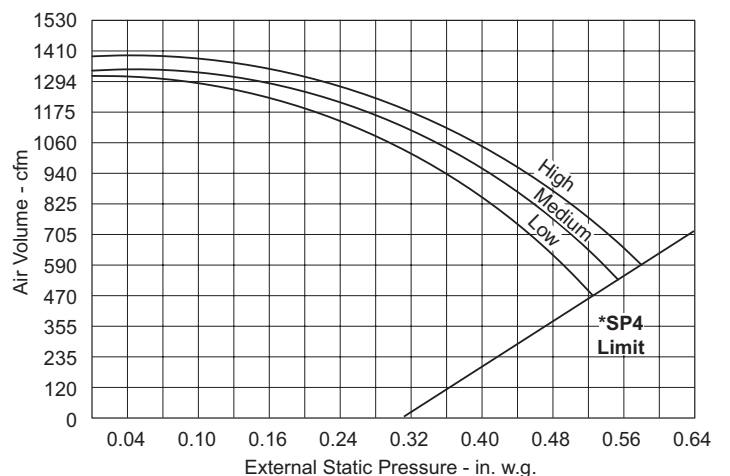
**SP1 Limit airflow rate setting on the controller.*



**SP2 Limit airflow rate setting on the controller.*

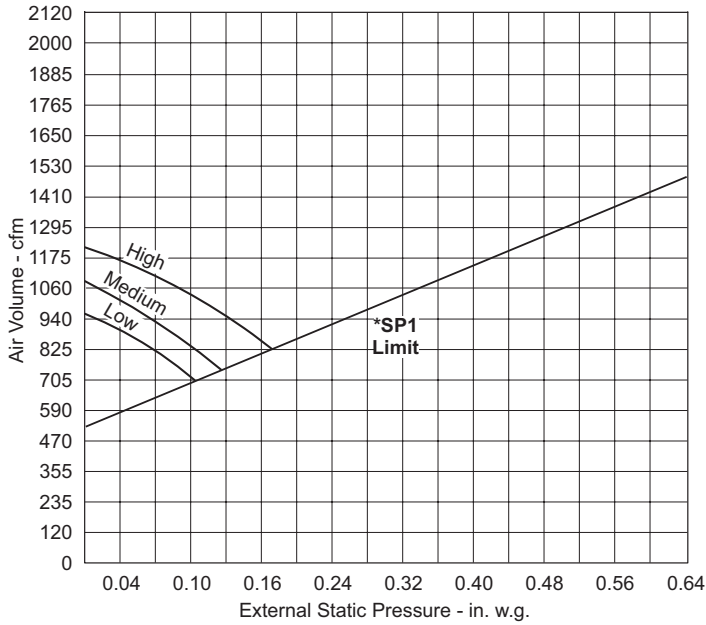


**SP3 Limit airflow rate setting on the controller.*

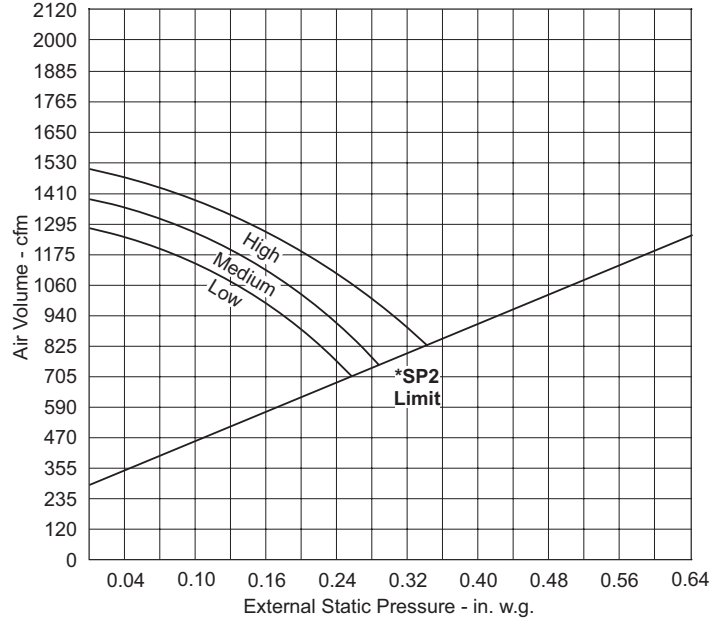


**SP4 Limit airflow rate setting on the controller.*

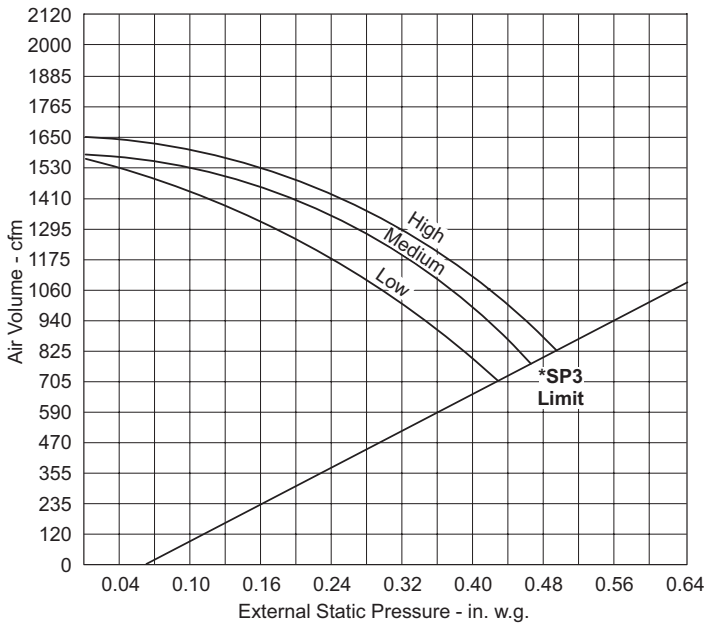
MMDB036S4



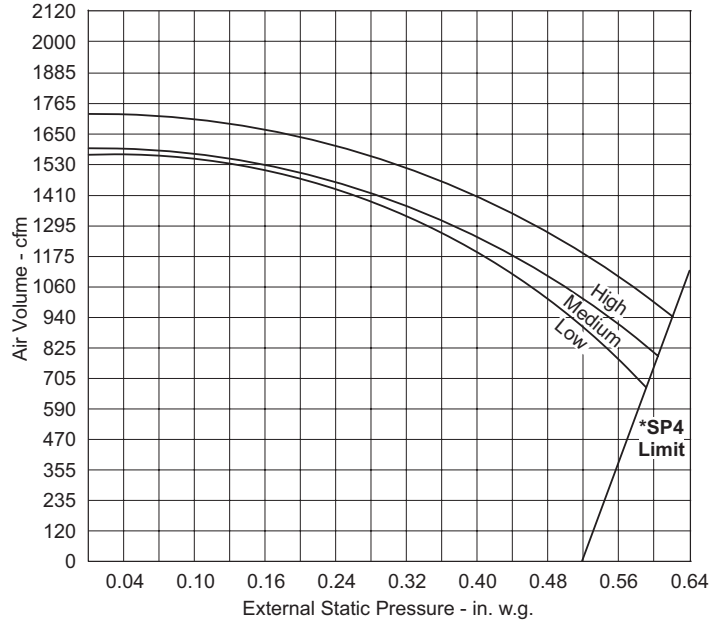
*SP1 Limit airflow rate setting on the controller.



*SP2 Limit airflow rate setting on the controller.

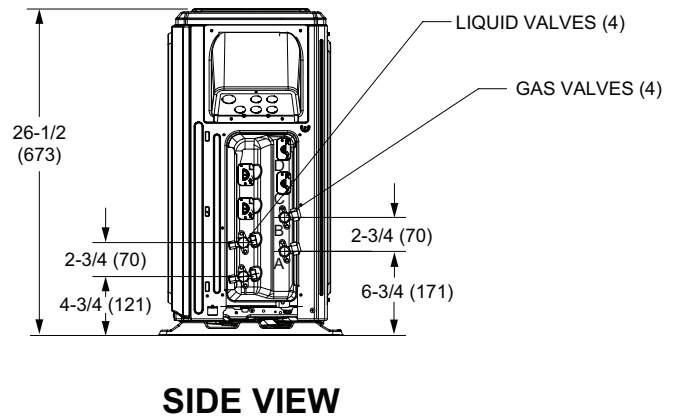
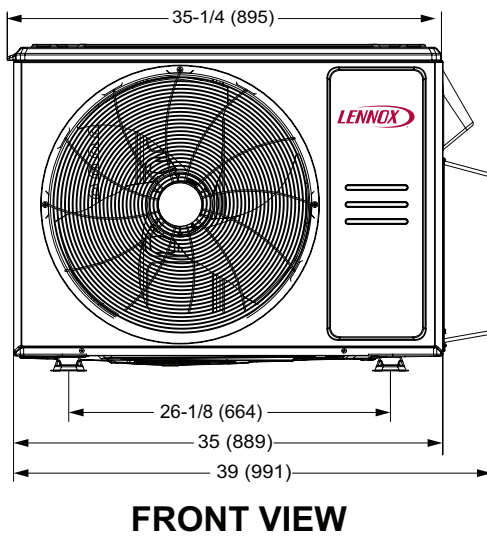
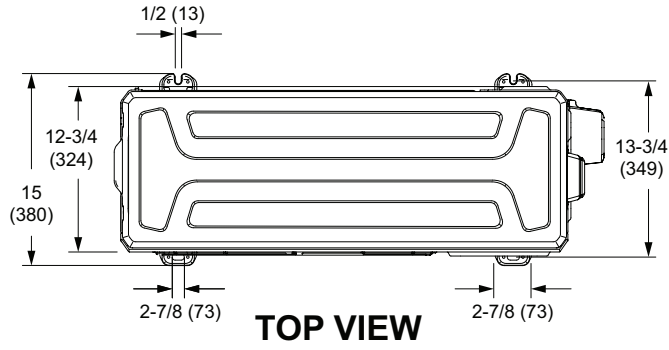


*SP3 Limit airflow rate setting on the controller.

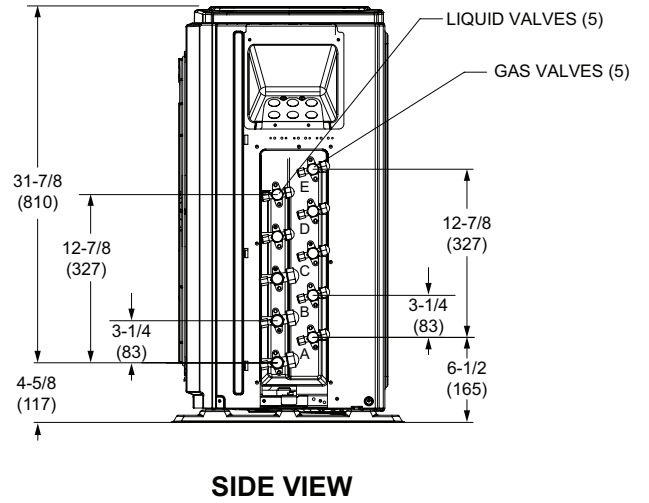
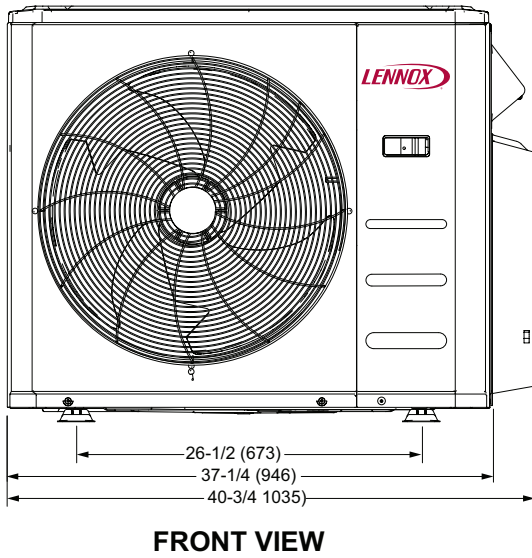
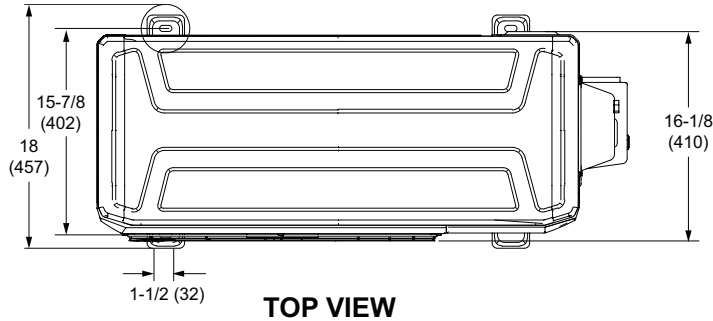


*SP4 Limit airflow rate setting on the controller.

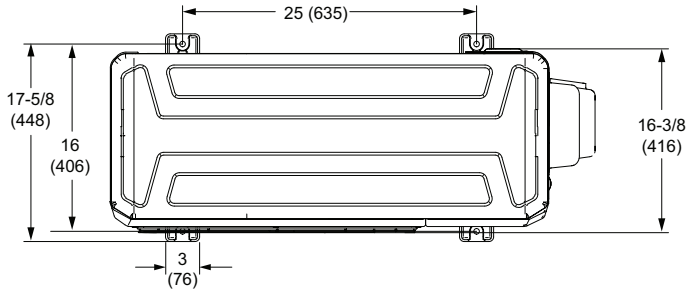
MPC018S4M | MPC024S4M | MPC030S4M



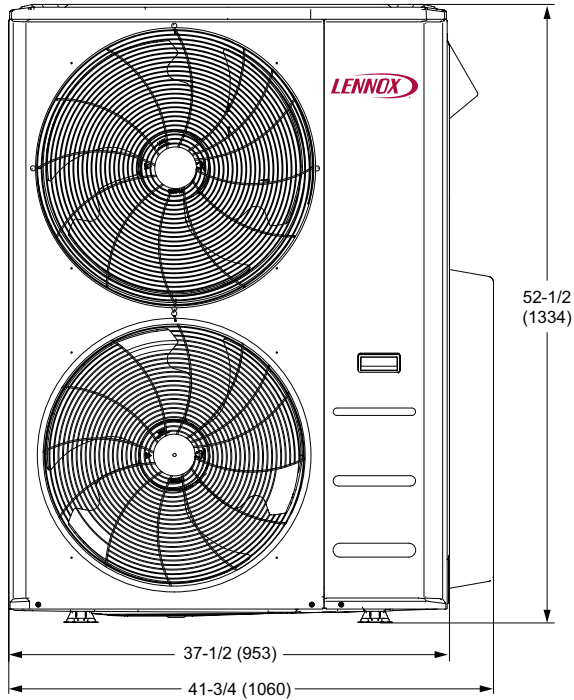
MPC036S4M



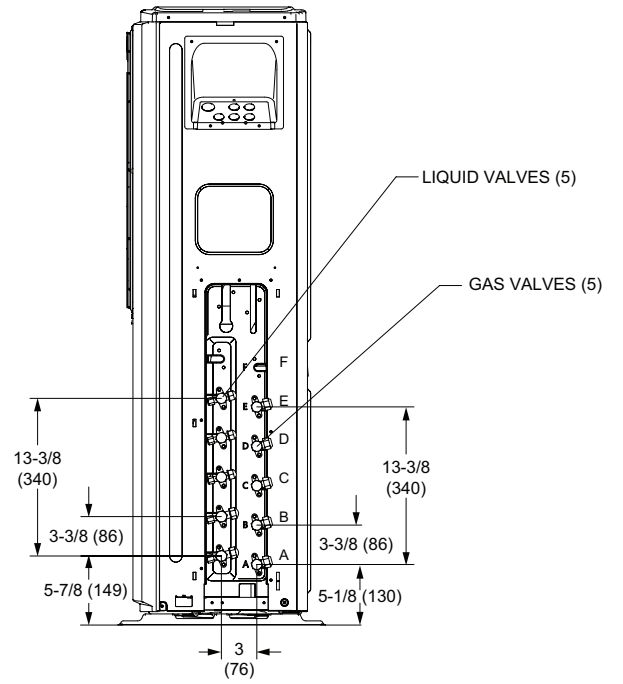
MPC048S4M



TOP VIEW

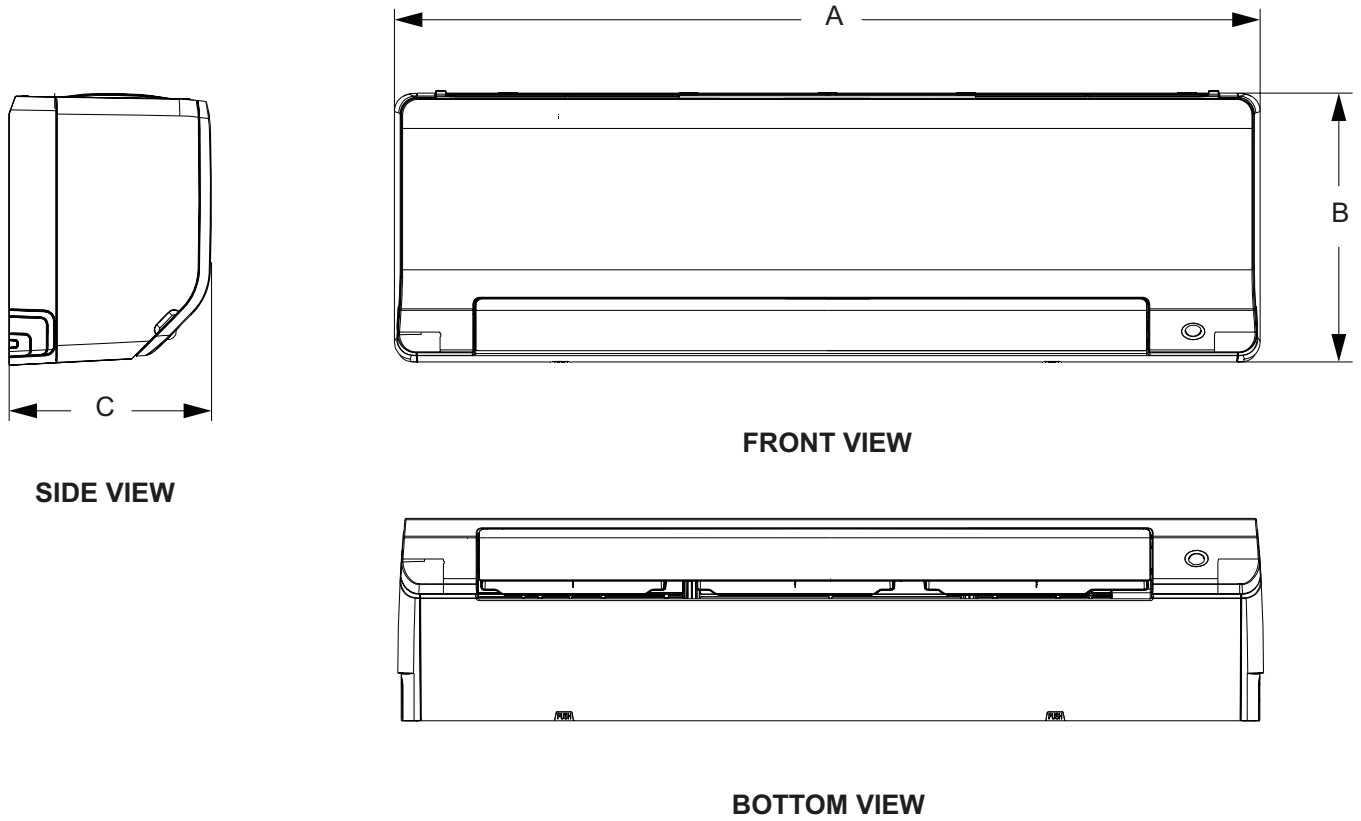


FRONT VIEW



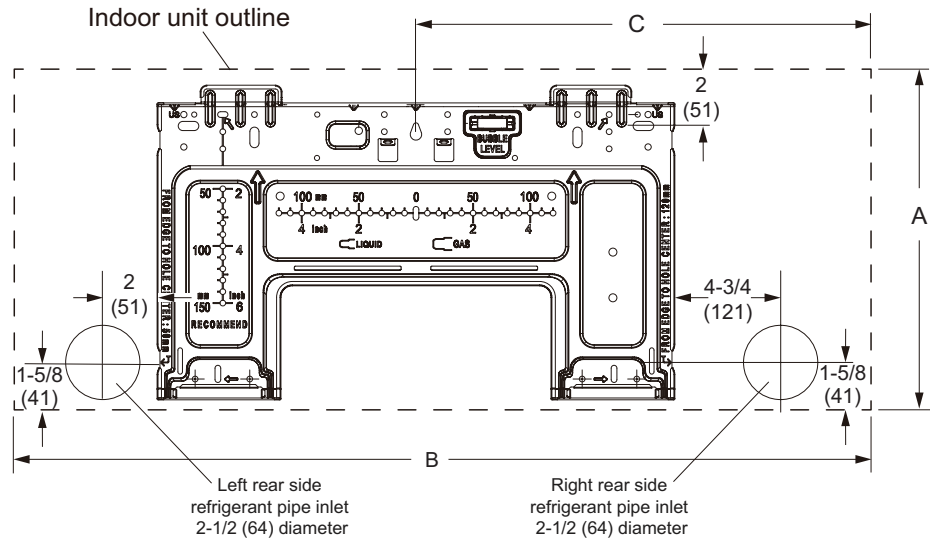
SIDE VIEW

MWMC006S4 | MWMC009S4 | MWMC012S4 | MWMC018S4 | MWMC024S4 | MWMC030S4



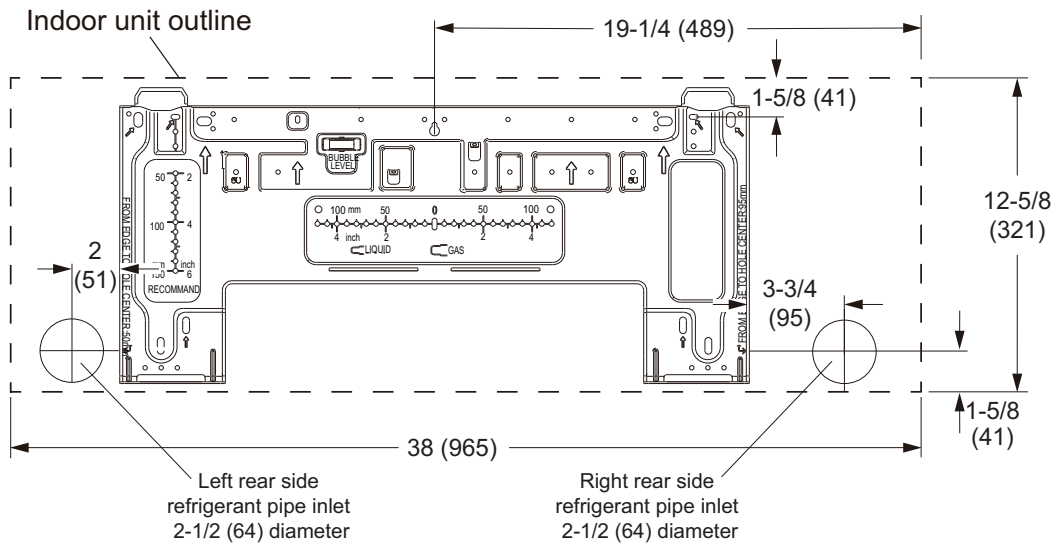
Size	A		B		C	
	in.	mm	in.	mm	in.	mm
MWMC006, 009, 012	33-3/8	848	11-3/4	298	9	229
MWMC018	40	1016	12-1/2	318	9-1/2	241
MWMC024, 030	46-7/8	1191	14-5/8	371	11	279

MWMC006S4 | MWMC009S4 | MWMC012S4

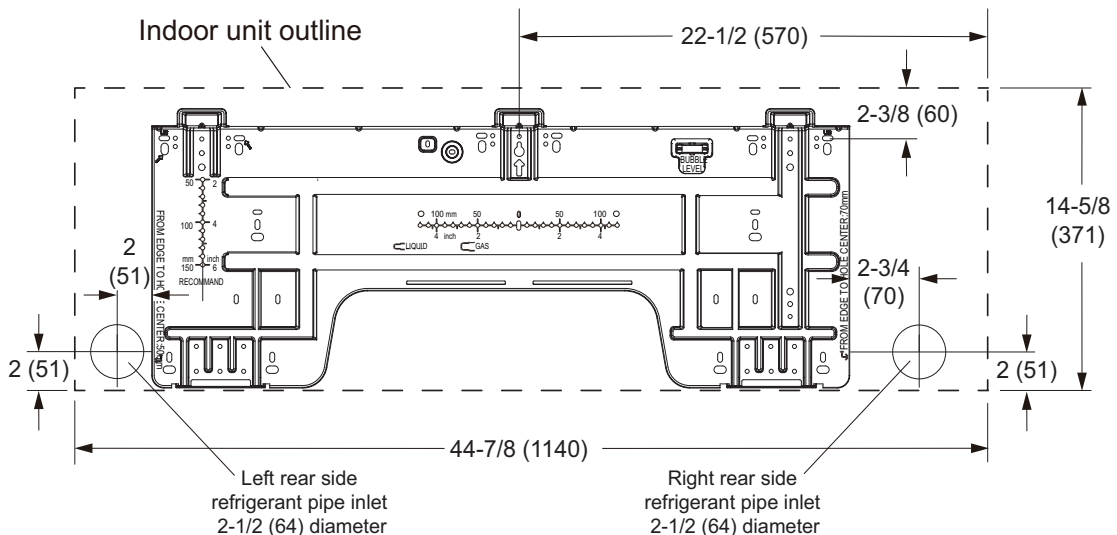


Size	A		B		C	
	in.	mm	in.	mm	in.	mm
MWMC006, 009	11-1/2	290	28-1/2	724	13-3/4	349
MWMC012	11-3/4	297	31-3/4	806	15-7/8	403

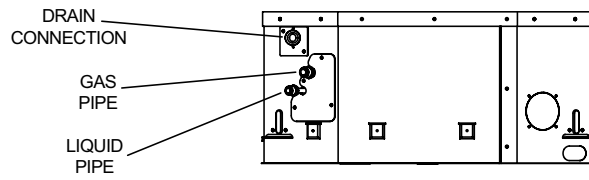
MWMC018S4



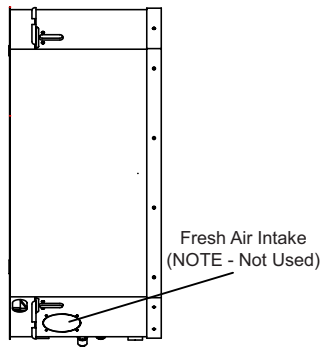
MWMC024S4 | MWMC030S4



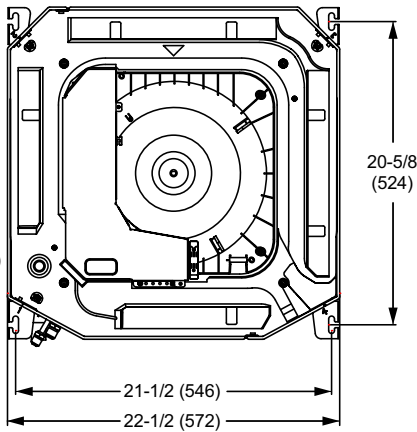
M22A009S4 | M22A012S4 | M22A018S4



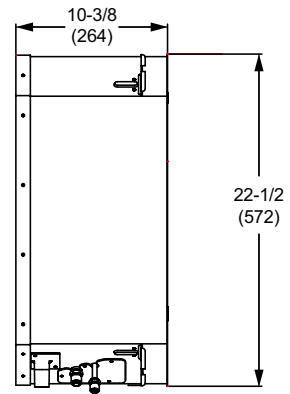
SIDE VIEW



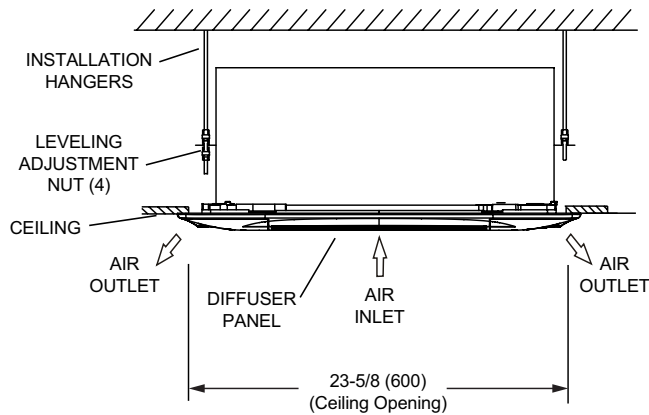
LEFT SIDE VIEW



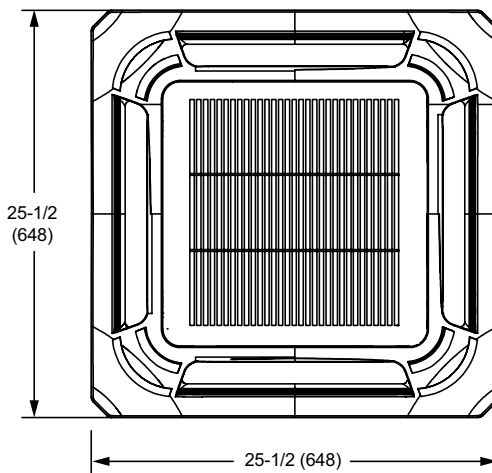
BOTTOM VIEW (Body)



RIGHT SIDE VIEW

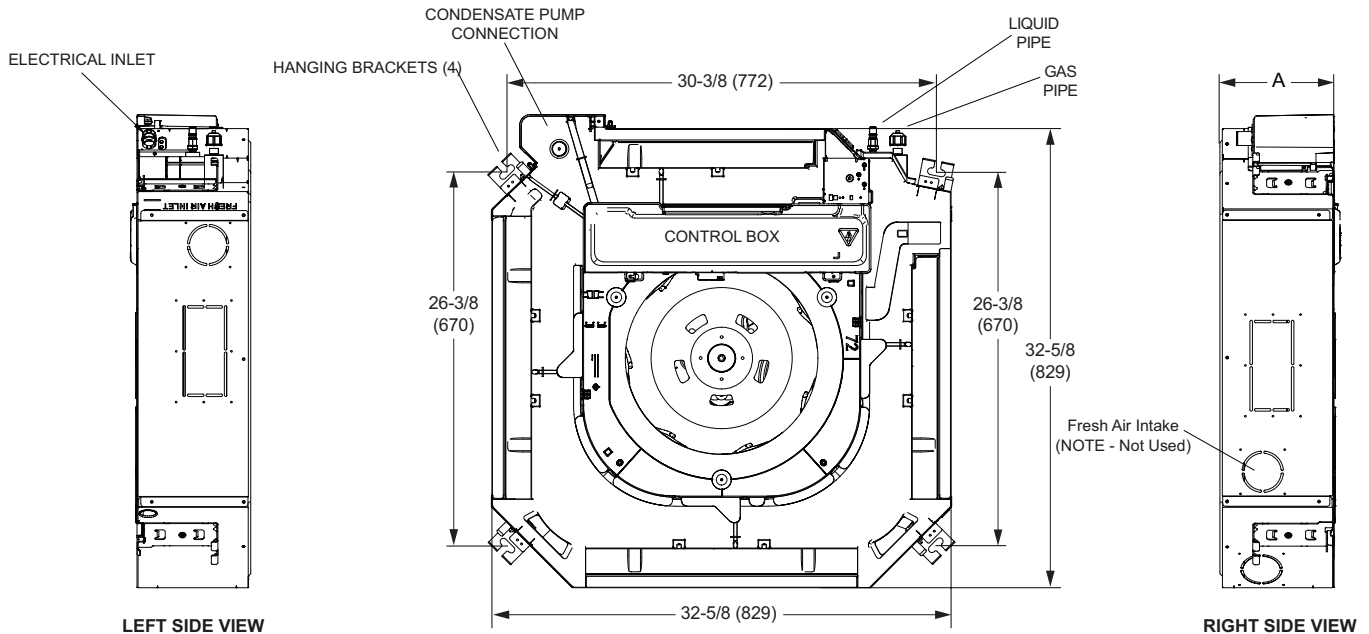


SIDE VIEW

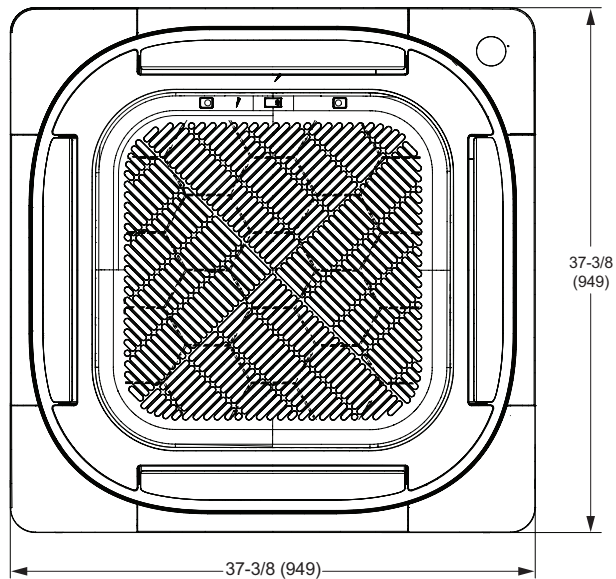
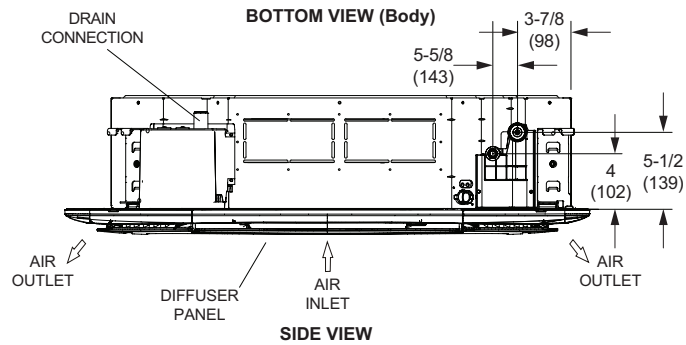


BOTTOM VIEW (Panel)

M33C024S4 | M33036S4



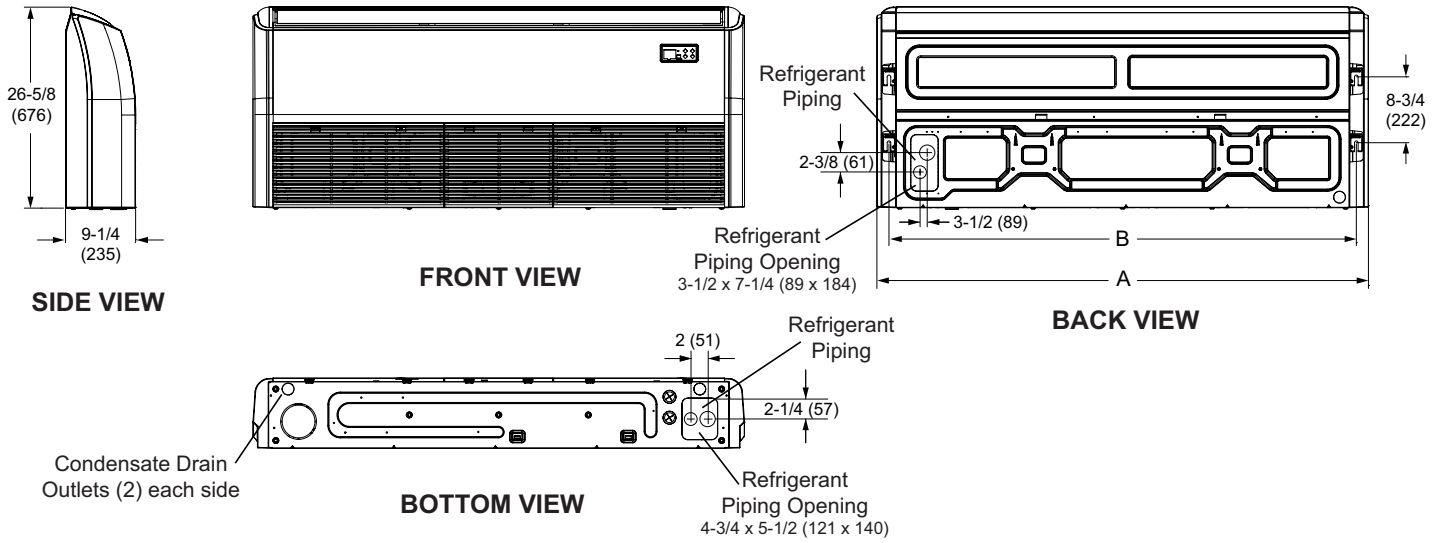
Size	A	
	in.	mm
024	8-1/8	206
036	9-5/8	244



DIMENSIONS

CEILING/FLOOR MOUNT INDOOR UNITS

MCFB018S4 | MCFA024S4 | MCFA036S4

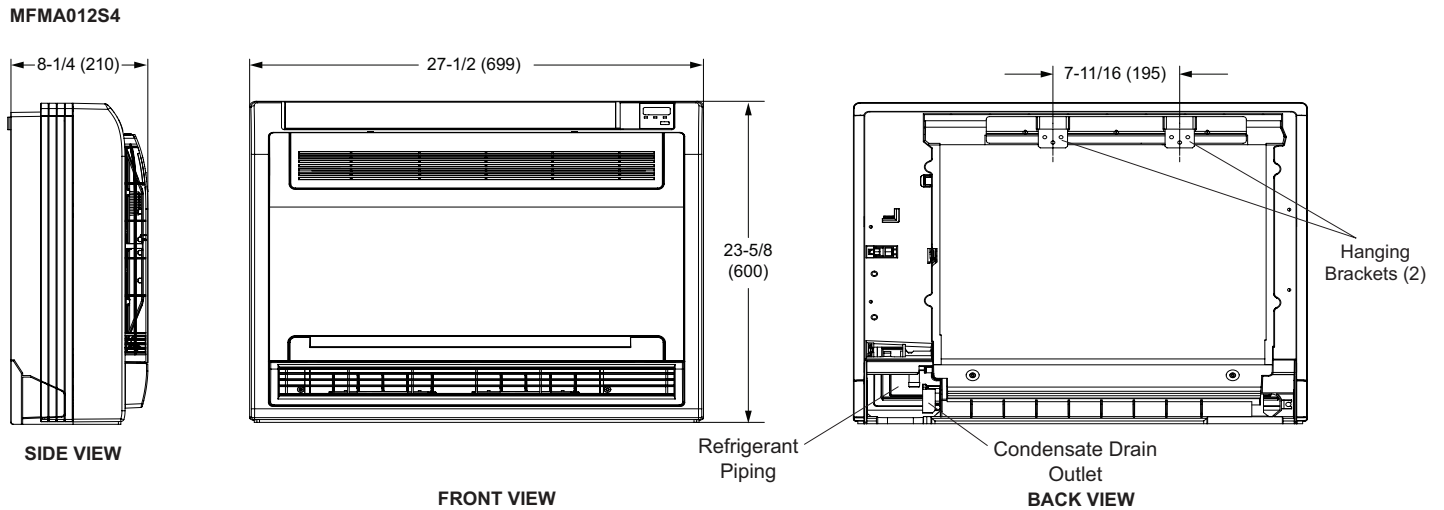


Model No.	A		B	
	in.	mm	in.	mm
018	42	1067	37	940
024	42-1/8	1070	39	991
036	50-5/8	1286	47-3/8	1203

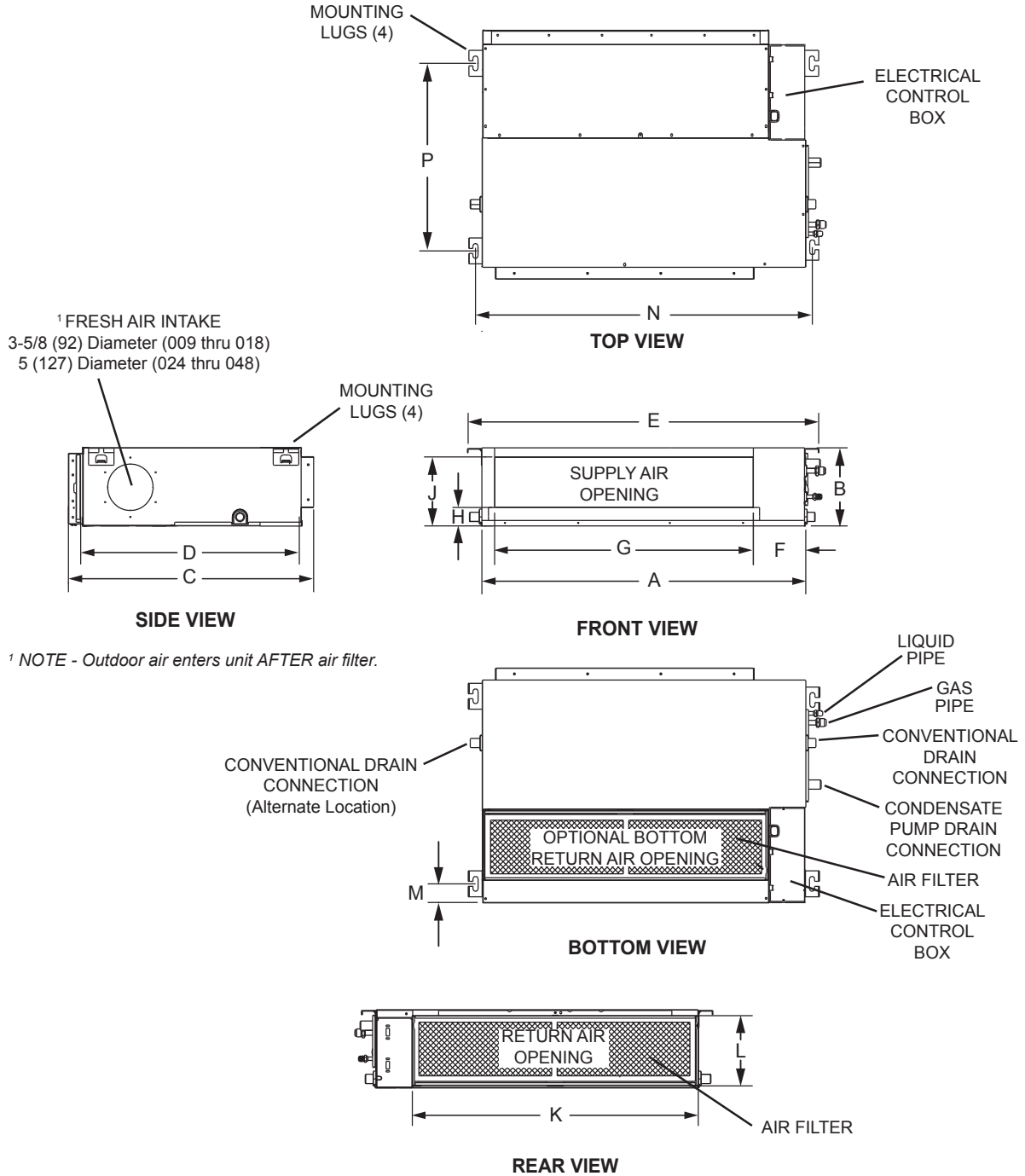
DIMENSIONS

FLOOR MOUNT CONSOLE INDOOR UNIT

MFMA012S4



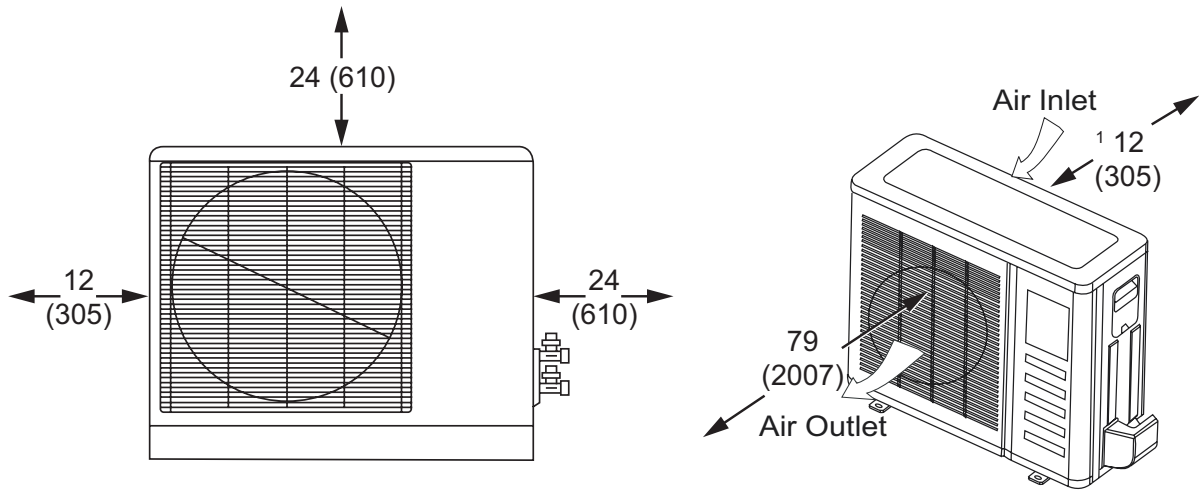
MMDB009S4 | MMDB012S4 | MMDB018S4 | MMDB024S4 | MMDB036S4



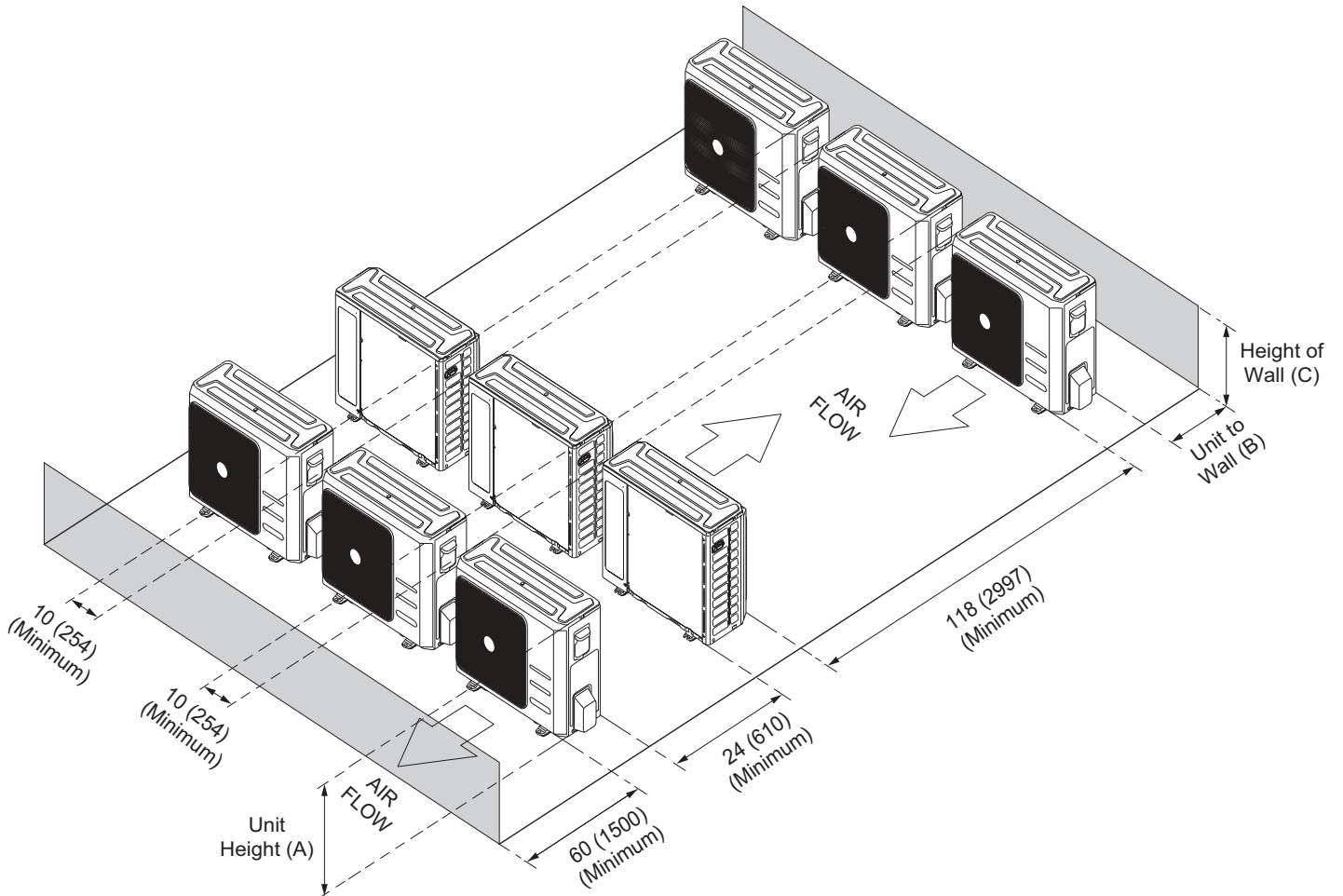
¹ NOTE - Outdoor air enters unit AFTER air filter.

Size	A		B		C		D		E		F		G		H	
	in.	mm	in.	mm	in.	mm	in.	mm	in.	mm	in.	mm	in.	mm	in.	mm
009 thru 012	27-5/8	702	7-7/8	200	19-7/8	505	17-3/4	451	30-3/4	781	5-3/8	137	21-1/8	537	1-1/8	29
018	34-5/8	879	8-1/4	210	26-1/2	673	23-5/8	600	37-7/8	962	5-1/2	140	27-3/4	705	2	51
024	43-1/4	1099	9-3/4	248	30-1/2	775	27-1/2	699	46-1/2	1181	5-1/2	140	36-1/2	927	2	51
036	53-1/2	1359	9-3/4	249	30-1/2	775	27-1/2	699	56-3/4	1441	5-1/2	140	46-3/4	1187	2	51

Size	J		K		L		M		N		P	
	in.	mm	in.	mm	in.	mm	in.	mm	in.	mm	in.	mm
009 thru 012	6	152	23-5/8	600	7-3/8	187	2	51	29-1/8	740	14-1/8	359
018	5-3/8	137	30-3/4	781	7-1/2	191	1-5/8	41	36-1/4	921	20	508
024	6-7/8	175	39-3/8	1000	9	229	1/4	6	44-7/8	1140	23-1/2	597
036	6-7/8	175	49-5/8	1260	9	229	1/4	6	55-1/8	1400	23-1/2	597



¹ Minimum rear clearance can be 6 inches (152 mm) when mounted on brackets and with no obstructions on the other three sides.

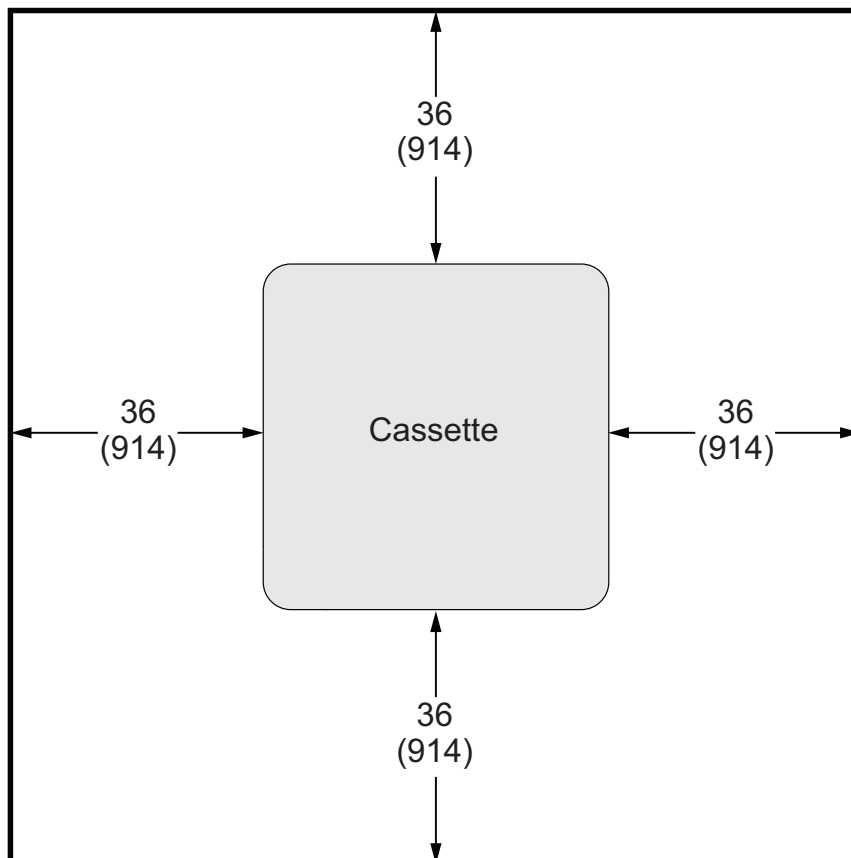
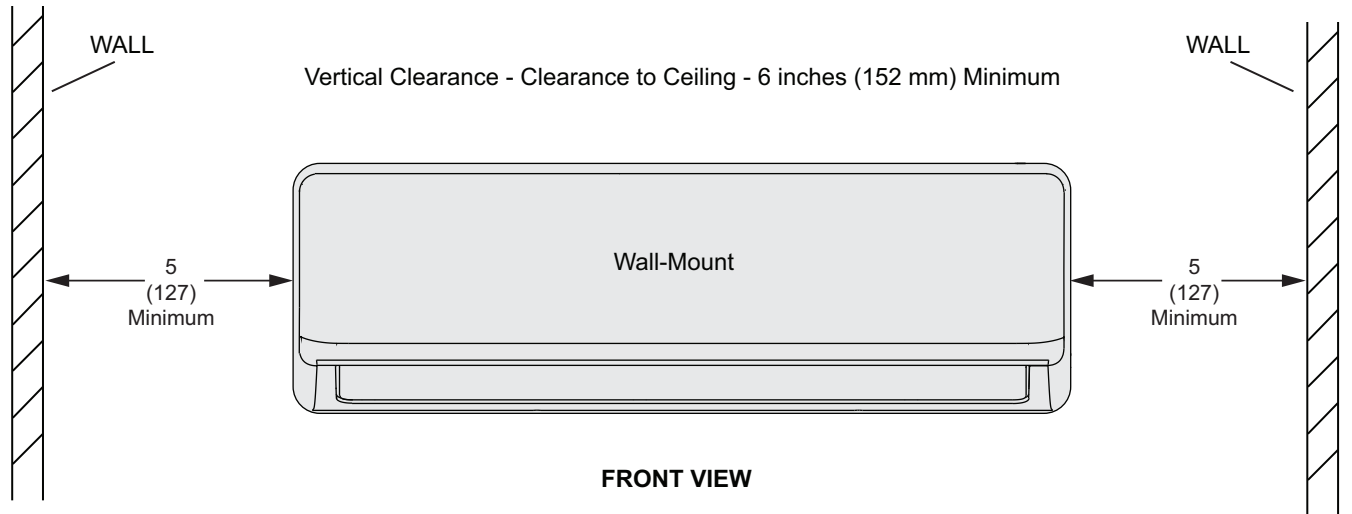


CLEARANCE NOTES FOR MULTIPLE UNITS:

If the height of the wall (C) is less than or equal to the height of the smallest unit (A), the distance from the unit to the wall (B) must be a minimum of 10 inches (254 mm).

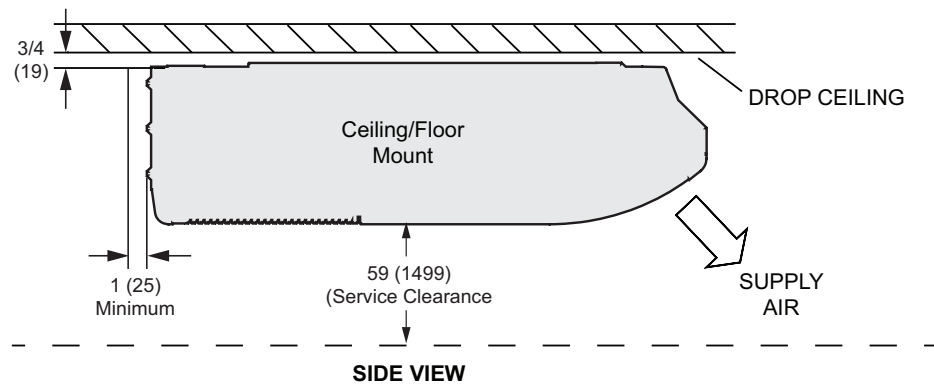
If 1/2 the height of the unit (A) is less than the height of the wall (C), the distance from the unit to the wall (B) must be a minimum of 12 inches (305 mm).

If the height of the wall (C) is greater than the height of the unit (A), the distance from the unit to the wall (B) must be a minimum of 20 inches (508 mm).

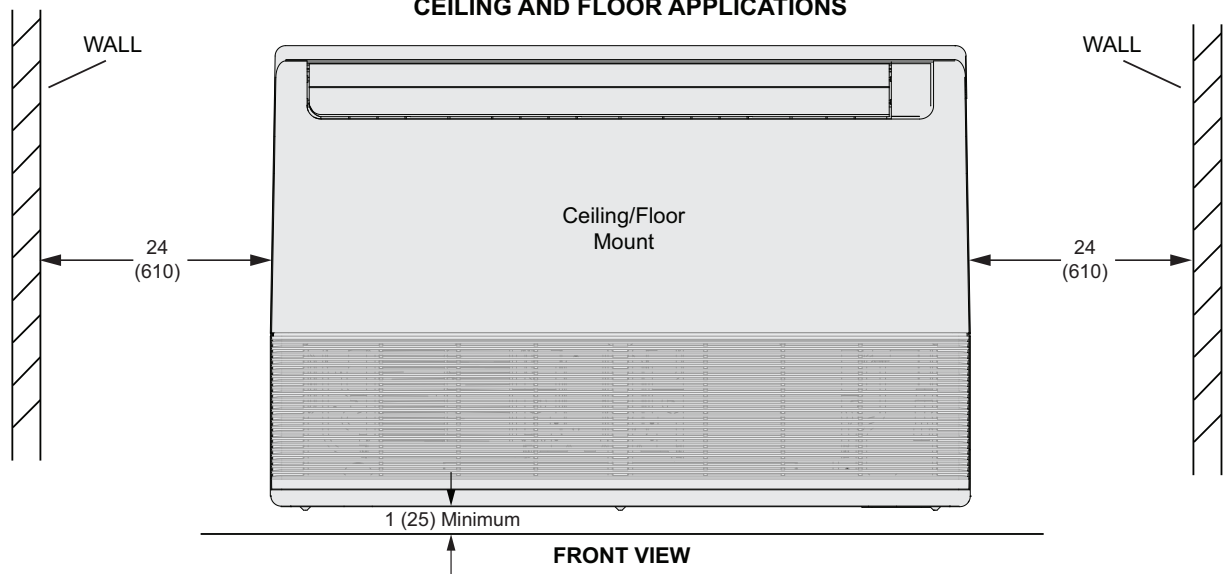


Minimum Vertical Clearances:
 Minimum Clearance from Structural Ceiling to Drop Ceiling - 10-1/4 inches (260 mm)
 Minimum Clearance to Floor - 98-1/2 inches (2500 mm)

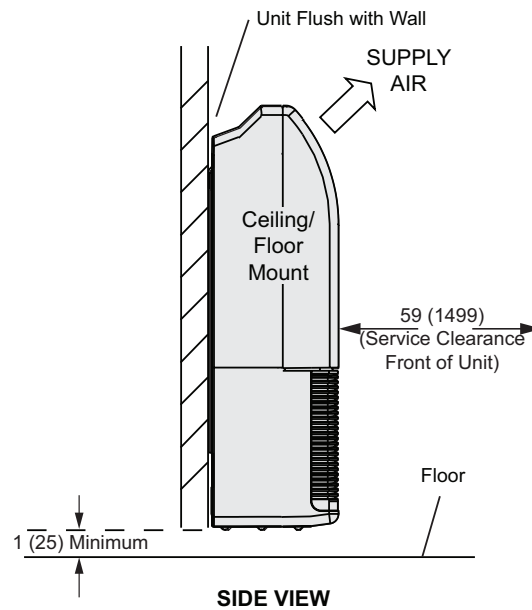
CEILING APPLICATIONS

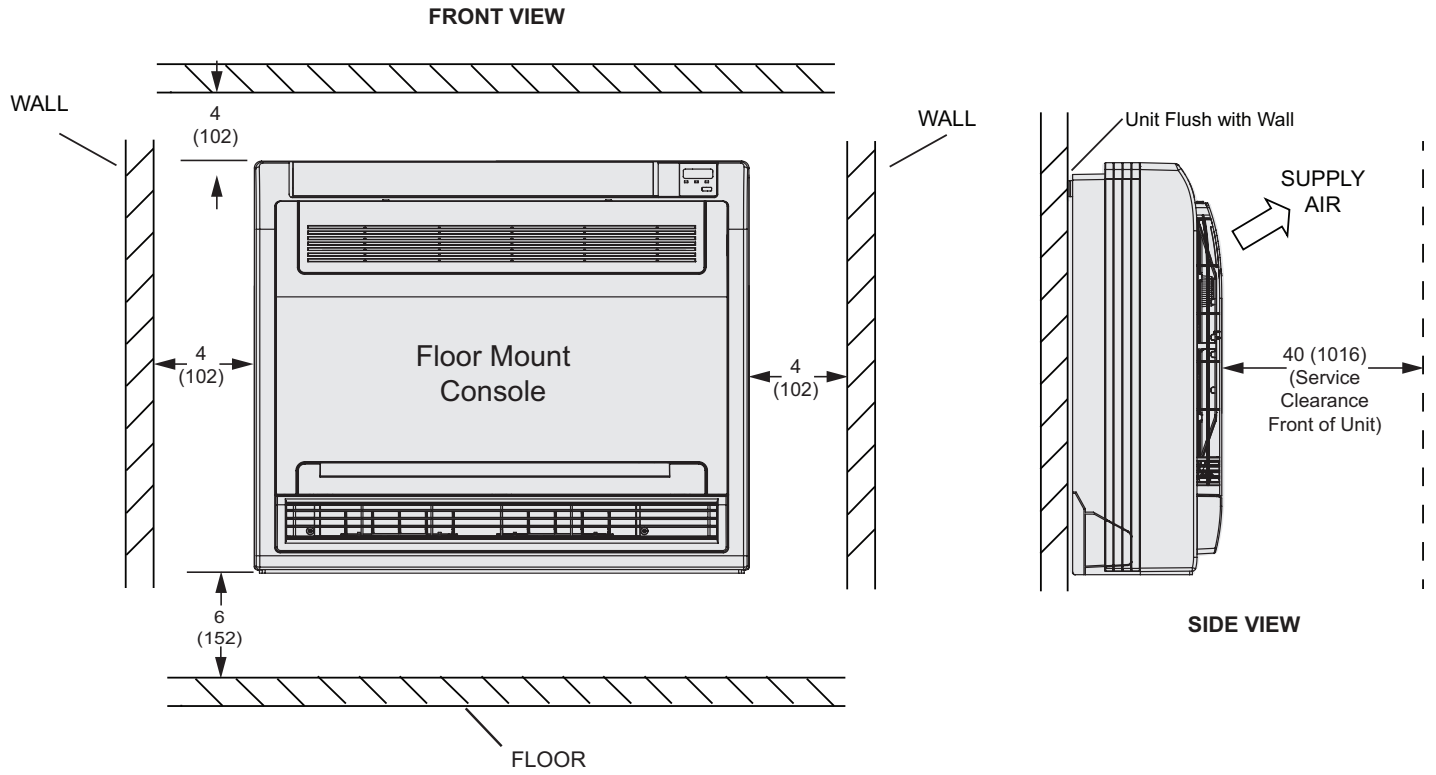


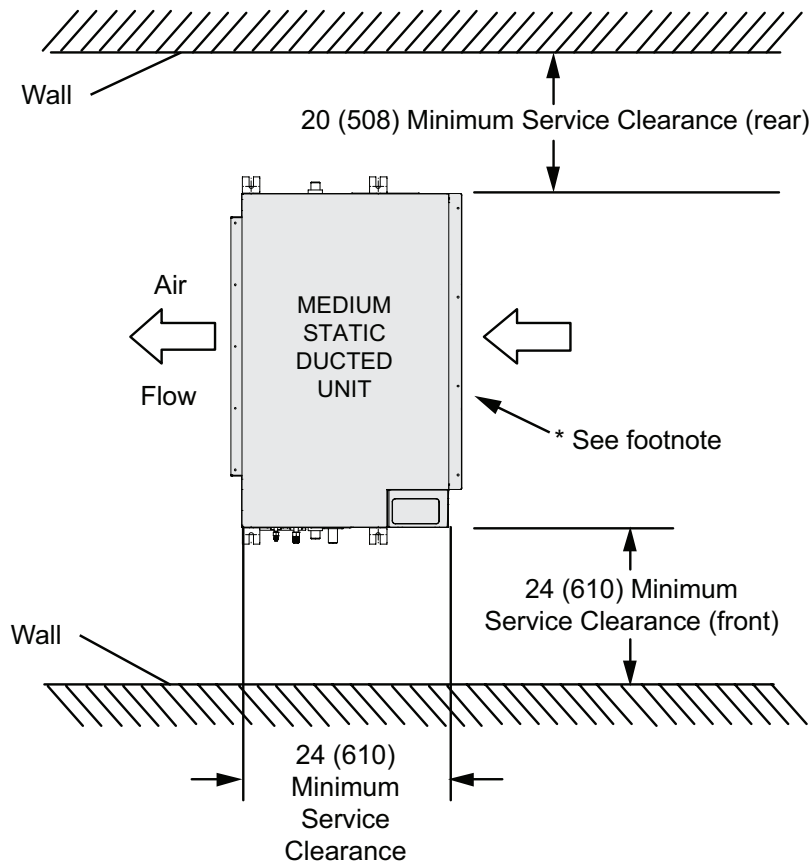
CEILING AND FLOOR APPLICATIONS



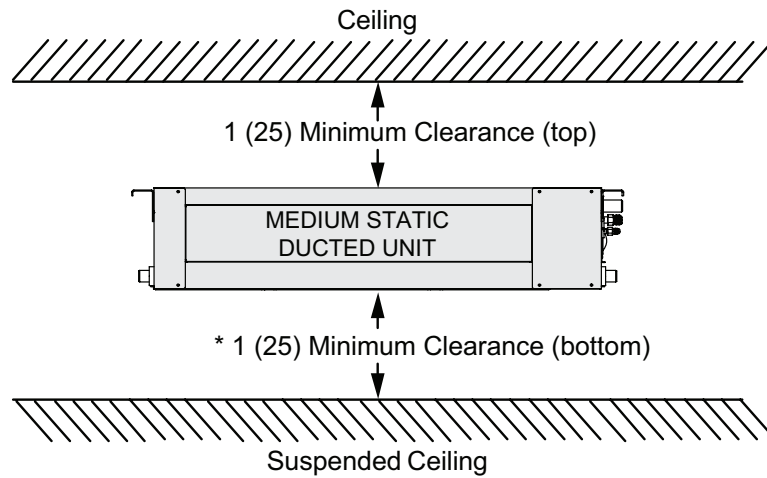
FLOOR APPLICATIONS







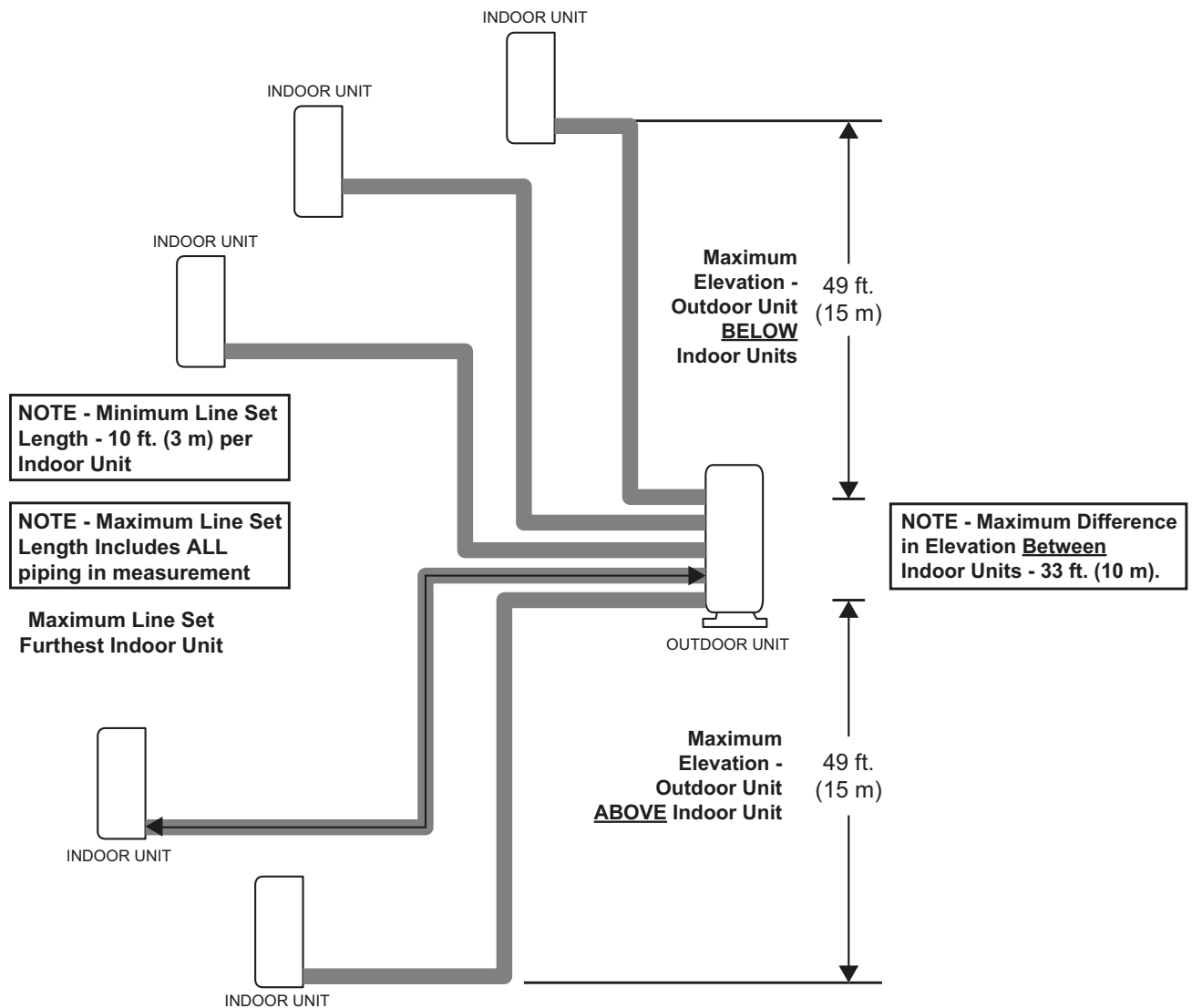
TOP VIEW



*** NOTE - Bottom unit clearance can be 1 inch (25 mm), but allow 12 inches for filter removal on end return air applications**

FRONT VIEW

LINE SET AND ELEVATION GUIDELINES



Outdoor Unit Model No.	MPC018S4M	MPC024S4M	MPC030S4M	MPC036S4M	MPC048S4M
Maximum Number of Indoor Units/Zones	Two	Three	Three	Four	Five
Indoor Unit Connections	(2) 1/4 liq. (2) 3/8 gas	(3) 1/4 liq. (3) 3/8 gas	(3) 1/4 liq. (3) 3/8 gas	(4) 1/4 liq. (3) 3/8 gas (1) 1/2 gas	(5) 1/4 liq. (3) 3/8 gas (2) 1/2 gas
Maximum Pipe Length for all Rooms	131 ft. (40 m)	197 ft. (60 m)	197 ft. (60 m)	262 ft. (80 m)	262 ft. (80 m)
Maximum Line Set Length - Furthest Indoor Unit	82 ft. (25 m)	98 ft. (30 m)	98 ft. (30 m)	115 ft. (35 m)	115 ft. (35 m)

NOTE - Refer to "Outdoor To Indoor Unit Line Connections" tables starting on page 42 for correct refrigerant line adaptors furnished with outdoor units.

REVISIONS

Sections	Description of Change
AHRI Ratings	Updated Energy Star Certification.



HRAI
✓ MEMBER COMPANY



Visit us at www.Lennox.com

For the latest technical information, www.LennoxPros.com

Contact us at 1-800-9-LENNOX

NOTE - Due to Lennox' ongoing commitment to quality, Specifications, Ratings and Dimensions subject to change without notice and without incurring liability. Improper installation, adjustment, alteration, service or maintenance can cause property damage or personal injury. Installation and service must be performed by a qualified installer and servicing agency.

©2022 Lennox Industries, Inc.