

MINI-SPLIT SYSTEMS

MPC

Mini-Split

Single Zone Heat Pump Systems - R-410A - 60 Hz

Bulletin No. 210942

May 2022

Supersedes April 2022



RESIDENTIAL / COMMERCIAL  
PRODUCT SPECIFICATIONS



MWMC Wall-Mounted  
Non-Ducted Indoor Unit



M22A/M33C Cassette  
Non-Ducted Indoor Unit



Wireless  
Remote Controller  
(furnished with  
Wall-Mount,  
Cassette, Console and  
Ceiling/Floor  
Non-Ducted Models)



MFMA Floor-Mount Console  
Non-Ducted Indoor Unit



MCFA/MCFB Ceiling/Floor-Mount  
Non-Ducted Indoor Unit



MMDB Medium Static Ducted Indoor Unit  
with Wired Remote Controller (furnished)



MPC048 Heat Pump Outdoor Unit



MPC009 thru 036 Heat Pump Outdoor Units



Certain models  
have earned the  
ENERGY STAR®  
mark by meeting  
strict energy  
efficiency guidelines  
set by the US EPA.

**SEER - up to 25.50**

**HSPF - up to 13.2**

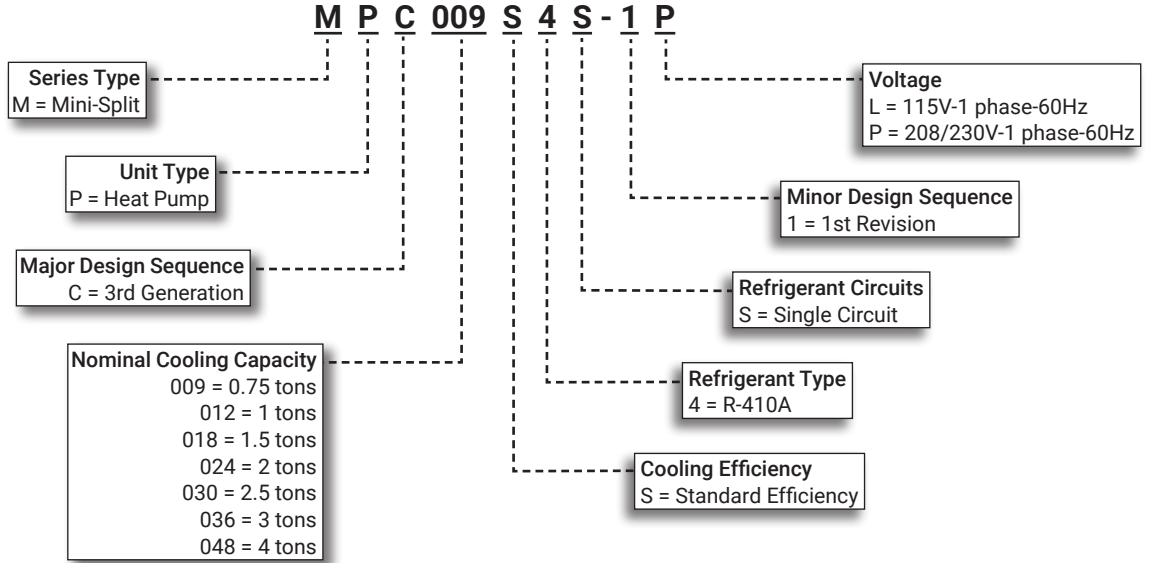
**0.75 to 4 Tons**

**Cooling Capacity - 9,000 to 48,000 Btuh**

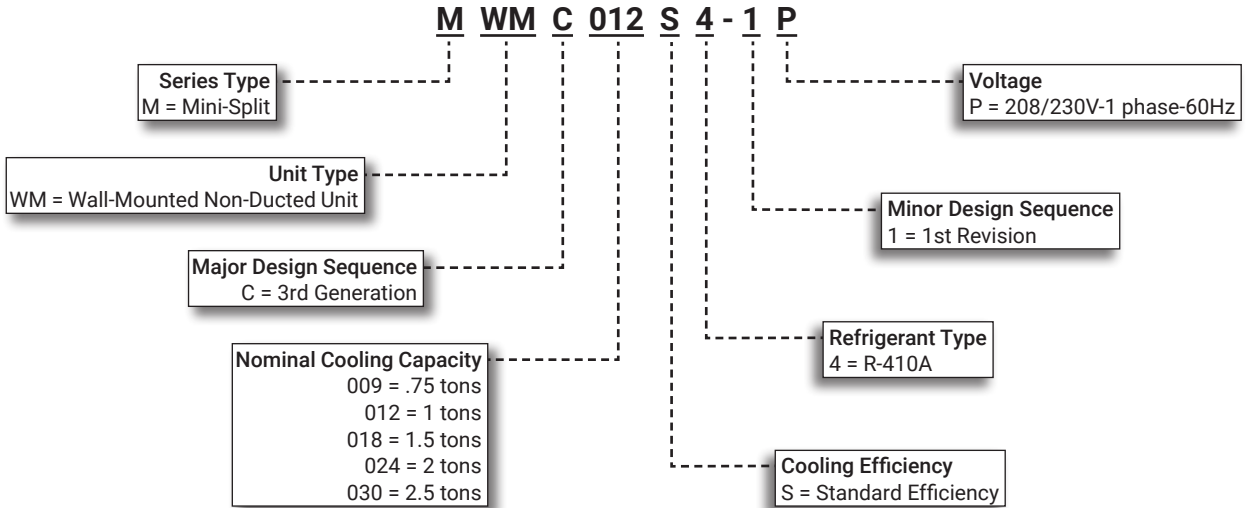
**Heating Capacity - 10,000 to 50,000 Btuh**

# MODEL NUMBER IDENTIFICATION

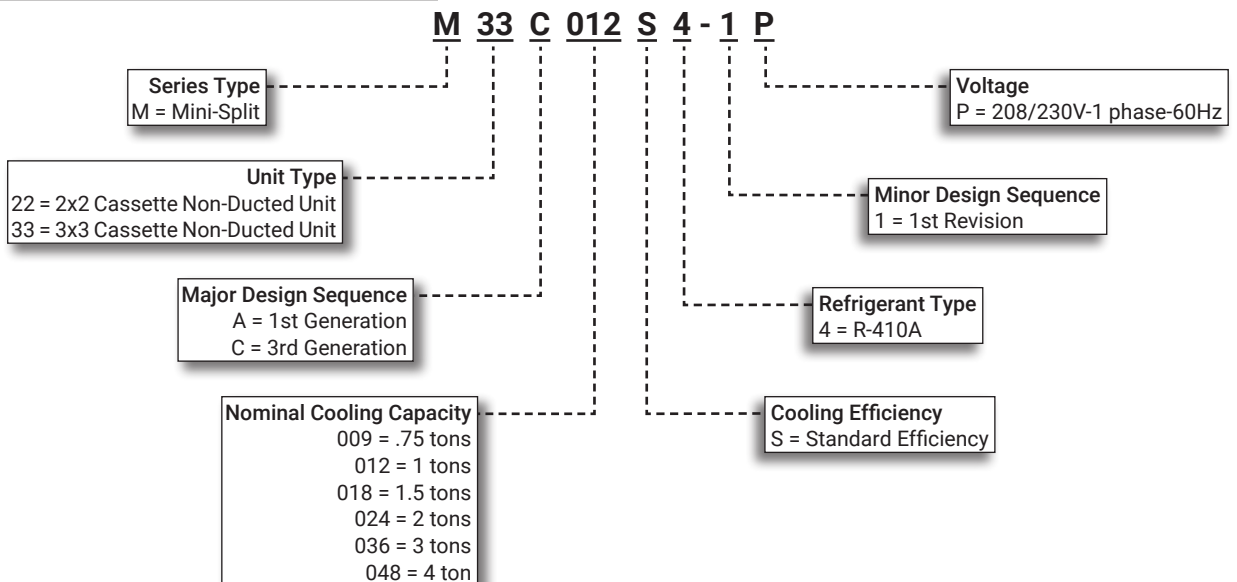
## OUTDOOR SINGLE ZONE HEAT PUMP UNITS



## WALL-MOUNTED INDOOR UNITS

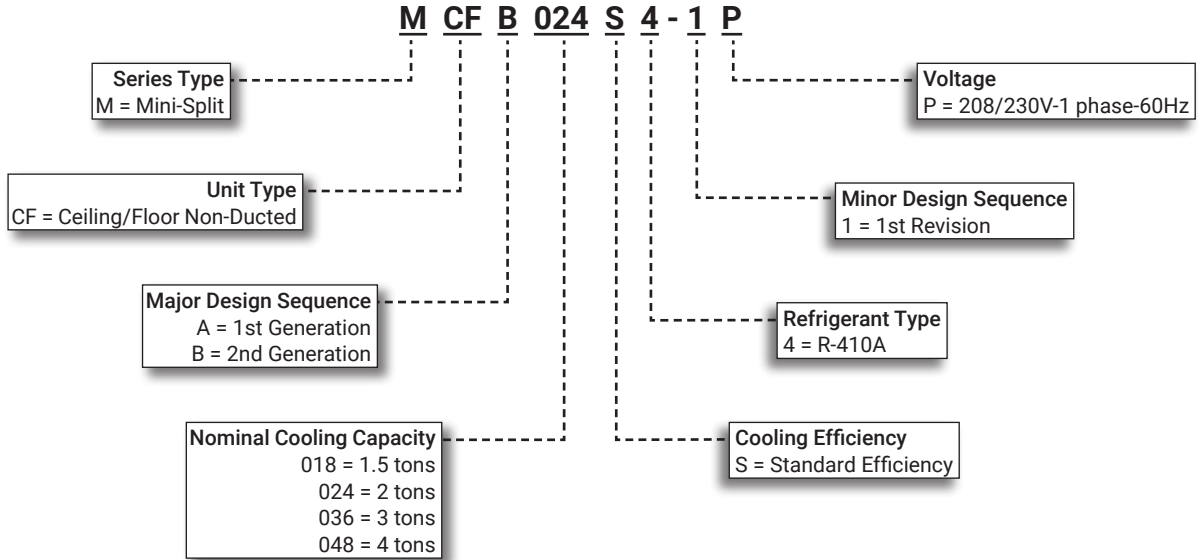


## CASSETTE NON-DUCTED INDOOR UNITS

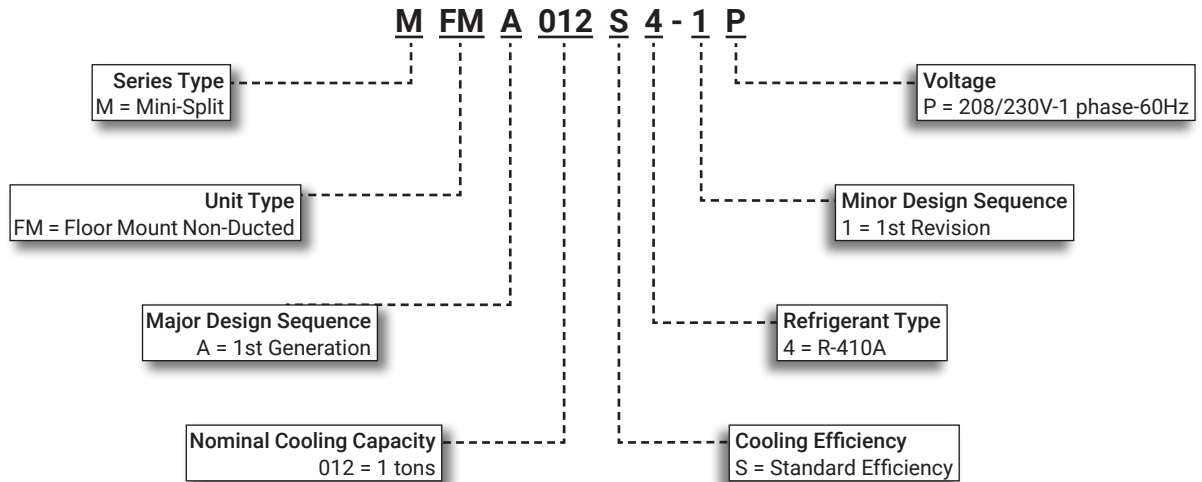


# MODEL NUMBER IDENTIFICATION

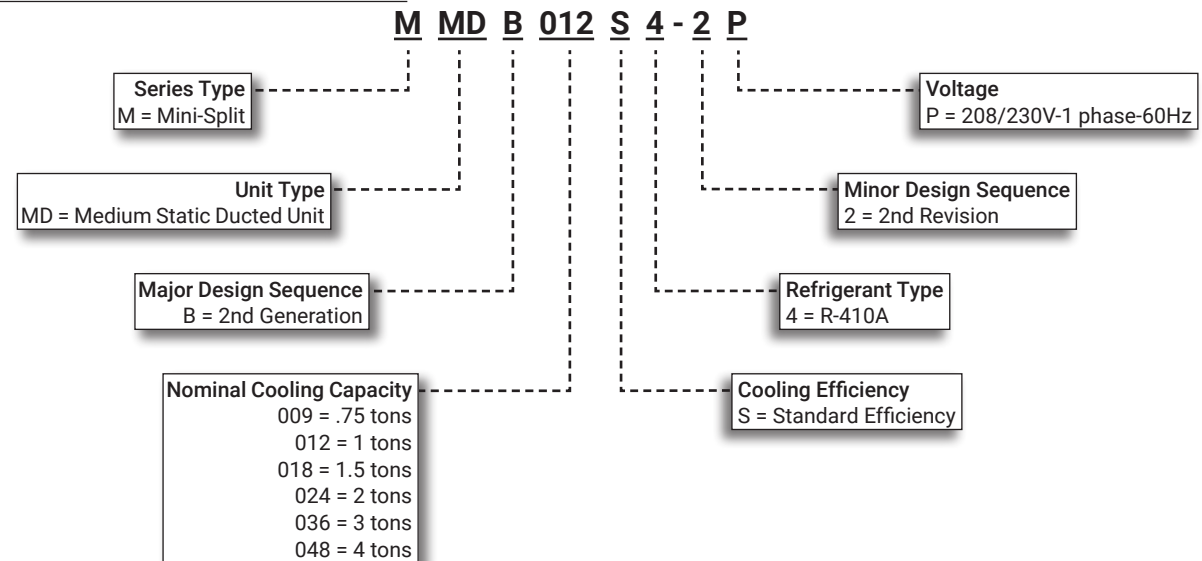
## CEILING/FLOOR NON-DUCTED INDOOR UNITS



## FLOOR-MOUNT CONSOLE NON-DUCTED INDOOR UNITS



## MEDIUM STATIC DUCTED INDOOR UNITS



## CONTENTS

AHRI System Matches . . . . .	31
Air Throw Data. . . . .	41
- Cassette Indoor Units . . . . .	43
- Ceiling/Floor Mount Indoor Units . . . . .	44
- Wall-Mounted Indoor Units . . . . .	41
Approvals And Warranty . . . . .	5
Blower Data . . . . .	46
- Medium Static Ducted Indoor Units . . . . .	46
Cooling Capacity . . . . .	33
Dimensions . . . . .	52
- Cassette Indoor Units . . . . .	58
- Ceiling/Floor Mount Indoor Units . . . . .	60
- Floor Mount Console Indoor Unit . . . . .	60
- Medium Static Ducted Indoor Units . . . . .	61
- Outdoor Units . . . . .	52
- Wall-Mounted Indoor Units . . . . .	56
- Wall-Mounted Indoor Units - Wall Plates . . . . .	57
Features . . . . .	5
- Indoor Units . . . . .	7
- Outdoor Units . . . . .	5
Heating Capacity . . . . .	33
Installation Clearances . . . . .	62
- Cassette Indoor Units . . . . .	63
- Ceiling/Floor Mount Indoor Units . . . . .	64
- Floor Mount Console Indoor Unit . . . . .	65
- Medium Static Ducted Indoor Units . . . . .	66
- Outdoor Units . . . . .	62
- Wall-Mounted Indoor Units . . . . .	63
Line Set And Elevation Guidelines . . . . .	67
Model Number Identification. . . . .	2
Optional Accessories - Order Separately . . . . .	30
Remote Controllers - Furnished . . . . .	10
Sound Levels - Test Conditions . . . . .	32
Specifications . . . . .	23
- Cassette Indoor Units . . . . .	27
- Ceiling/Floor Mount Indoor Units . . . . .	28
- Floor Mount Console Indoor Units . . . . .	28
- Medium Static Ducted Indoor Units . . . . .	29
- Outdoor Units - 0.75 Ton   1.5 Ton . . . . .	23
- Outdoor Units - 2 Ton   2.5 Ton . . . . .	24
- Outdoor Units - 3 Ton   4 Ton . . . . .	25
- Wall-Mounted Indoor Units . . . . .	26

## APPROVALS AND WARRANTY

### APPROVALS

- AHRI Standard 210/240 certified with Addenda 1 and 2
- ENERGY STAR® certified units (certain models) are designed to use less energy, help save money on utility bills, and help protect the environment
- Rated According to U.S. Department of Energy (DOE) test procedures
- Indoor and outdoor units and components UL and CEC bonded for grounding to meet safety standards for servicing
- ETL certified for the U.S. and Canada
- Meets 2014 Florida Building Code Wind Design Criteria
  - Ultimate Wind Speed – 186 miles per hour
  - Risk Categories – III and IV
  - Wind Exposures – C and D
  - Mean Roof Heights – Up to 60 feet above ground

### WARRANTY

- Compressor - Limited seven years
- All other covered components - Limited five years

**NOTE** - Refer to Lennox Basic Limited Warranty at [www.Lennox.com](http://www.Lennox.com) for additional details.

## FEATURES

### APPLICATIONS

- 0.75 through 4 ton
- Single phase power supply (208/230V)
- Outdoor unit sound levels as low as 53 dBA
- Indoor unit sound levels as low as 23 dBA
- Ductless mini-split systems provide a wide range of capacities and applications and provide an alternative when a ducted system is impractical or cost prohibitive
- Units shipped completely factory assembled, internally piped, and wired

**NOTE** - Outdoor unit is designed for outdoor location only.

**NOTE** - it is recommended that Medium Static Ducted Indoor Units not be installed in unconditioned spaces with temperatures above 100°F.

### REFRIGERATION SYSTEM

#### R-410A Refrigerant

- Non-chlorine, ozone friendly
- Unit is factory pre-charged

#### Outdoor Coil

- Aluminum fins fitted to copper tubes
- Wire grille guard provided

#### Outdoor Fan

- Direct drive fan moves large air volumes uniformly through entire outdoor coil for high refrigeration capacity.
- Fan guard provided

## OUTDOOR UNITS

#### Refrigerant Line Connections, Service Valve

- Flare connection lines are located on side of unit cabinet
- Fully serviceable brass service valve prevents corrosion and provides access to refrigerant system

### COMPRESSOR

#### Variable Frequency Rotary Compressor

- Compressor features high efficiency operation
- Balanced for reduced vibration and quiet operation
- Brushless DC motor uses powerful Neodymium magnets, which are approximately 15-20 times stronger than ferrite magnets used in conventional AC compressors

#### Compressor Crankcase Heater

- Protects against liquid refrigerant migration that can occur during low ambient operation

### CONTROLS

#### DC Inverter Control

- Provides continuous operation, while adjusting capacity according to room temperature
- The accurate sensing of cooling loads prevents frequent changes in capacity and ensures efficient, economical operation

#### Inverter Module Protection

- Protects against differences in current, voltage and temperature
- Displays code on the indoor unit indicating a need for servicing

**CONTROLS (continued)****Outdoor Unit Microprocessor**

- Electronic expansion valve control
- Automatic compressor timed-off protection (3 minutes)
- Temperature sensor
- LEDs on control display error codes and assist in troubleshooting
- 4-Way reversing valve control

**Electronic Expansion Valve**

- Furnished on all models

**Compressor Overcurrent Protection**

- Overcurrent protection can result due to any of the following:
  - Ambient temperature is too high
  - Locked rotor on the compressor
  - Outdoor air is blocked or restricted

**Condenser High Temperature Protection**

- Condenser high temperature can occur due to any of the following conditions:
  - High outdoor ambient
  - Outdoor fan blocked
  - Outdoor coil blocked
- The outdoor coil thermistor continuously monitors the temperature and communicates with the microprocessor
- Depending on the temperature measured, the compressor will be allowed to increase the frequency if needed to meet the load or is forced to run at the current or reduced frequency
- If the temperature becomes excessively high the compressor will be de-energized

**Compressor Discharge Temperature Protection**

- The compressor discharge line thermistor continuously monitors the temperature and communicates with the microprocessor
- Depending on the temperature measured, the compressor will be allowed to increase the frequency to meet the load or is forced to run at the current or reduced frequency
- If the temperature becomes excessively high, the compressor will be de-energized

**Voltage Protection**

- Protects unit from low or high voltage fluctuations

**Terminal Strip**

- Furnished for easy wiring connections

**Automatic Piping/Wiring Correction**

- Automatically checks piping/wiring connections
- A "Check Switch" on outdoor unit control reviews zone wiring and piping connections and displays "CE" if all connections are correct
- If a unit(s) is not connected to the correct zone the control will automatically remap the wiring to the correct zone based on indoor unit size

**Defrost Control**

- Defrost cycle is automatically enabled if there is a build-up of frost on the outdoor coil
- Outdoor fan operation is terminated during the defrost cycle
- Indoor fan changes to ultra low speed during the defrost cycle to help bring warm refrigerant back to the outdoor coil to assist during defrost operation
- Defrost LED is lit on the indoor unit panel on the front cover during a defrost cycle

**Reversing Valve**

- 4-way interchange reversing valve effects a rapid change in direction of refrigerant flow resulting in quick changeover from cooling to heating and vice versa
- Valve operates on pressure differential between outdoor unit and indoor unit of the system

**CABINET**

- Constructed of heavy gauge steel
- Tabs on unit base allow secure mounting to slab
- Condensate drain outlets furnished on unit base

**NOTE** - Drain must be field furnished.

- Pan heater prevents ice build-up in the bottom of the unit during heating operation
- Access cover for power and control wiring connections
- Access cover for service valves

**WALL-MOUNTED INDOOR UNITS**

- Low-sound, three-speed Wall Mount with LED display offers three access points for refrigerant outlet pipes: left, right or rear
- The front panel can be raised for accessible wiring and maintenance
- Swing louver angles to 90°
- Unit installs horizontally on a vertical wall
- **Pre-Heat Function** - Delays the operation of the fan until the indoor coil has reached a pre-determined temperature which prevents the discharge of cold air while the system is operating in the "heating" mode
- **LED Readout** - Mounted on unit. LED displays unit operation status, and codes for maintenance and servicing
- **Auto Restart** - Automatically restores the previous function setting if power is interrupted
- **Cooling Override** - Button on the indoor unit allows a temporary 30 minute override of the system for forced "AUTO" or "COOLING" operation
- **Flare Connections** - Equipped with liquid and gas flare fittings for quick and secure piping
- **Multi-Refrigerant Outlet** - Allows left, right, or rear access for refrigeration line connection
- **Three Speed Fan** - Fan functions at three speeds: low, medium and high
- **Air Filter** - Cleanable air filter is furnished as standard
- **Wireless Remote Controller** - Furnished as standard, see Page 10

**CASSETTE INDOOR UNITS**

- Low-sound and encased in galvanized steel, the Cassette unit with LED display offers 360° airflow for immediate, equal distribution of wide-range cooling and heating
- 360° Airflow Panel - Allows for even, wide-range cooling and heating
- Pre-Heat Function - Delays the operation of the fan until the indoor coil has reached a pre-determined temperature which prevents the discharge of cold air while the system is operating in the "heating" mode
- **LED Readout/Infrared Receiver Panel** - Mounted on unit. LEDs display unit operation status, and codes for maintenance and servicing
- Infrared receiver for use with wireless remote controller (furnished)
- **Auto Restart** - Automatically restores the previous function setting if power is interrupted
- **Cooling Override** - Button on the indoor unit allows a temporary 30 minute override of the system for forced "AUTO" or "COOLING" operation
- **Built-In Condensate Pump** - 27-1/2 in. maximum lift
- **Compact Design** - Allows accessible wiring and space-saving installation with reduced width and depth
- **Flare Connections** - Equipped with liquid and gas flare fittings for quick and secure piping
- **Three Speed Fan** - Fan functions at three speeds: low, medium and high
- **Turbo Fan With Backward Curved Blades** - Reduces sound levels and air resistance
- **Air Filter** - Cleanable air filter is furnished as standard
- **Wireless Remote Controller** - Furnished as standard, see Page 16 for M22A and Page 13 for M33C

**NOTE** - The cassette panel must be ordered separately. See Specifications table for ordering information.

**CEILING/FLOOR MOUNT INDOOR UNITS**



- Low-sound, three-speed Ceiling and Floor Mount models with LED display has a multi-blade fan that distributes air vertically and horizontally with a wide angle sweeping motion
- Two installation options are available:
  1. Horizontally against the ceiling
  2. Vertically against the floor/wall
- **Pre-Heat Function** - Delays the operation of the fan until the indoor coil has reached a pre-determined temperature which prevents the discharge of cold air while the system is operating in the "heating" mode
- **LED Readout/Infrared Receiver Panel** - Mounted on unit. LEDs display unit operation status, and codes for maintenance and servicing
- Infrared receiver for use with wireless remote controller (furnished)



**NOTE** - Readout panel design varies depending on unit size.

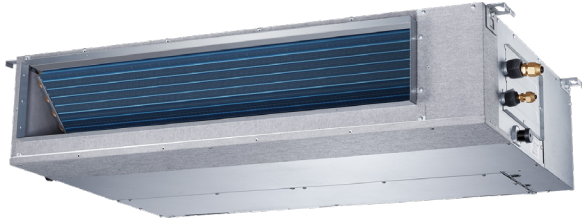
- **Auto Restart** - Automatically restores the previous function setting if power is interrupted
- **Cooling Override** - Button on the indoor unit allows a temporary 30 minute override of the system for forced "AUTO" or "COOLING" operation
- **Flare Connections** - Equipped with liquid and gas flare fittings for quick and secure piping
- **Multi-Refrigerant Outlet** - Allows left, right, or rear access for refrigeration line connection
- **Three Speed Fan** - Fan functions at three speeds: low, medium and high
- **Air Filter** - Cleanable air filter is furnished as standard
- **Wireless Remote Controller** - Furnished as standard, see Page 16

**FLOOR MOUNT CONSOLE INDOOR UNIT**



- Low-sound, three-speed Floor Mount Console model with LED display has a multi-blade fan that distributes air vertically and horizontally with a wide angle sweeping motion
- Installed vertically against the floor/wall
- Swing louver angles to 90°
- **Pre-Heat Function** - Delays the operation of the fan until the indoor coil has reached a pre-determined temperature which prevents the discharge of cold air while the system is operating in the "heating" mode
- **LED Readout/Infrared Receiver Panel** - Mounted on unit. LEDs display unit operation status, and codes for maintenance and servicing
- Infrared receiver for use with wireless remote controller (furnished)
- **Auto Restart** - Automatically restores the previous function setting if power is interrupted
- **Cooling Override** - Button on the indoor unit allows a temporary 30 minute override of the system for forced "AUTO" or "COOLING" operation
- **Flare Connections** - Equipped with liquid and gas flare fittings for quick and secure piping
- **Condensate Drain Connection** - Rear of unit
- **Condensate Flex Adaptor** - Flex adaptor and hose clamps are furnished for drain connection
- **Three Speed Fan** - Fan functions at three speeds: low, medium and high
- **Air Filter** - Cleanable air filter is furnished as standard
- **Hanging Brackets (2)** - Furnished for installation
- **Wireless Remote Controller** - Furnished as standard, see Page 16



**MEDIUM STATIC DUCTED INDOOR UNITS**

- Slim, compact design for limited space requirements. Installs out of sight between the drop ceiling and ceiling slab with ducted distribution to the indoor space
- **Pre-Heat Function** - Delays the operation of the fan until the indoor coil has reached a pre-determined temperature which prevents the discharge of cold air while the system is operating in the "heating" mode
- **LED Readout Panel** - Mounted in the unit control box unit. LEDs display unit operation status, and codes for maintenance and servicing
- **Auto Restart** - Automatically restores the previous function setting if power is interrupted
- **Cooling Override** - Button on the indoor unit allows a temporary 30 minute override of the system for forced "AUTO" or "COOLING" operation
- **Built-In Condensate Pump** - 27-1/2 inch lift
- **Duct Connections** - Return air connections can be made horizontally or from the bottom of the unit with interchangeable panel
- **Flare Connections** - Equipped with liquid and gas flare fittings for quick and secure piping
- **Three Speed Fan** - Fan functions at three speeds: low, medium and high
- **Air Filter** - Cleanable air filter is furnished as standard
- **Wired Remote Controller** - Furnished as standard, see Page 10

**AUTO CHANGEOVER OPERATION**

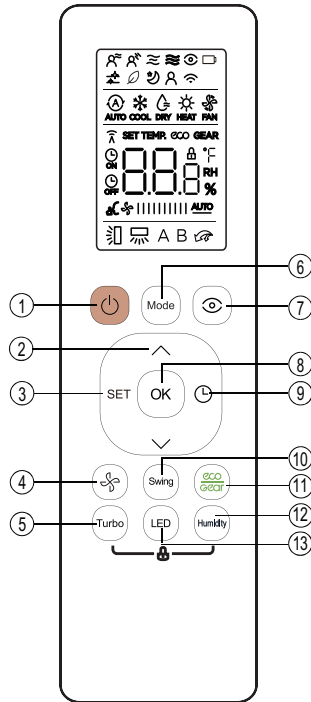
- If the indoor unit is set to "AUTO" mode the unit will operate in cooling, heating or fan mode based on temperature setting
- Fan runs in auto mode

## REMOTE CONTROLLERS - FURNISHED

### WIRELESS REMOTE CONTROLLER (RG10L-WM)

#### (FURNISHED WITH WALL-MOUNT INDOOR UNITS)

- Complete remote control of system
- Maximum operating range is 25 ft.
- Operates on two AAA 1.5V batteries (furnished)
- Wireless remote controller holder furnished
- Holder can be mounted on a wall for easy access
- Mounting screws furnished



#### 1 ON/OFF Button

- Turns system on and off

#### 2 UP/DOWN Buttons ^ v

- Increase or decrease the indoor temperature in one degree increments (maximum 86°F, minimum 60°F)

**NOTE** - Temperature cannot be adjusted in FAN mode.

**NOTE** - Press and hold and buttons together for 3 seconds to alternate the temperature display between the °C and °F scale.

#### 3 SET Button

- Scrolls through unit operations in this order:

1. Breeze Away
2. Active Clean
3. Sleep
4. Follow Me

**NOTE** - The selected symbol will flash on the display area. Press the OK button to confirm.

#### 4 FAN Button

- Cycles fan speeds in the following order:
  - AUTO → 20% → 40% → 60% → 80% → 100%

#### 5 TURBO Button

- Enables the unit to reach the preset temperature during cooling or heating operation in the shortest time

#### 6 MODE Button

- Select system operation modes
- Press button to cycle through each setting:
  - AUTO → COOL → DRY → HEAT → FAN

#### 7 ECO INTELLIGENT EYE Button

- Detects motion in the room to reduce cooling mode when no activity is detected for 30 minutes

#### 8 OK Button

- Confirms selected function

#### 9 TIMER Button

- Initiates an auto-on or auto-off time sequence
- Press TIMER button to initiate the ON time sequence
- Press Temp. up or down button for multiple times to set the desired time to turn on the unit
- Press TIMER button to initiate the OFF time sequence.

**NOTE** - Each press of the button increases or decreases the time (depending on function) in 30 minute increments up to 10 hours.

Above 10 hours each press of the button will increase or decrease the auto-timed setting by 60 minutes up to 24 hours.

To cancel, set timer to 0.0 or turn remote off and on.

#### 10 SWING Button

- Used to stop or start louver auto swing feature

#### 11 ECO/GEAR Button

- Controls temperature/energy efficiency of the unit

**NOTE** - Only available in cooling mode.

##### ECO Operation

- Sets unit to 75°F unit operation if setpoint is lower
- Sets fan to Auto operation if setpoint is over 75°F

**NOTE** - If setpoint is manually changed to less than 75°F, ECO operation is canceled.

##### GEAR Operation

- Reduces electrical consumption to 75% or 50%

#### 12 HUMIDITY Button

- Adjusts the room humidity during DRY mode from 35% to 85%
- Each press of the button increases the humidity in 5% increments

#### 13 LED Button

- Turns the LCD display backlight on the indoor unit on or off

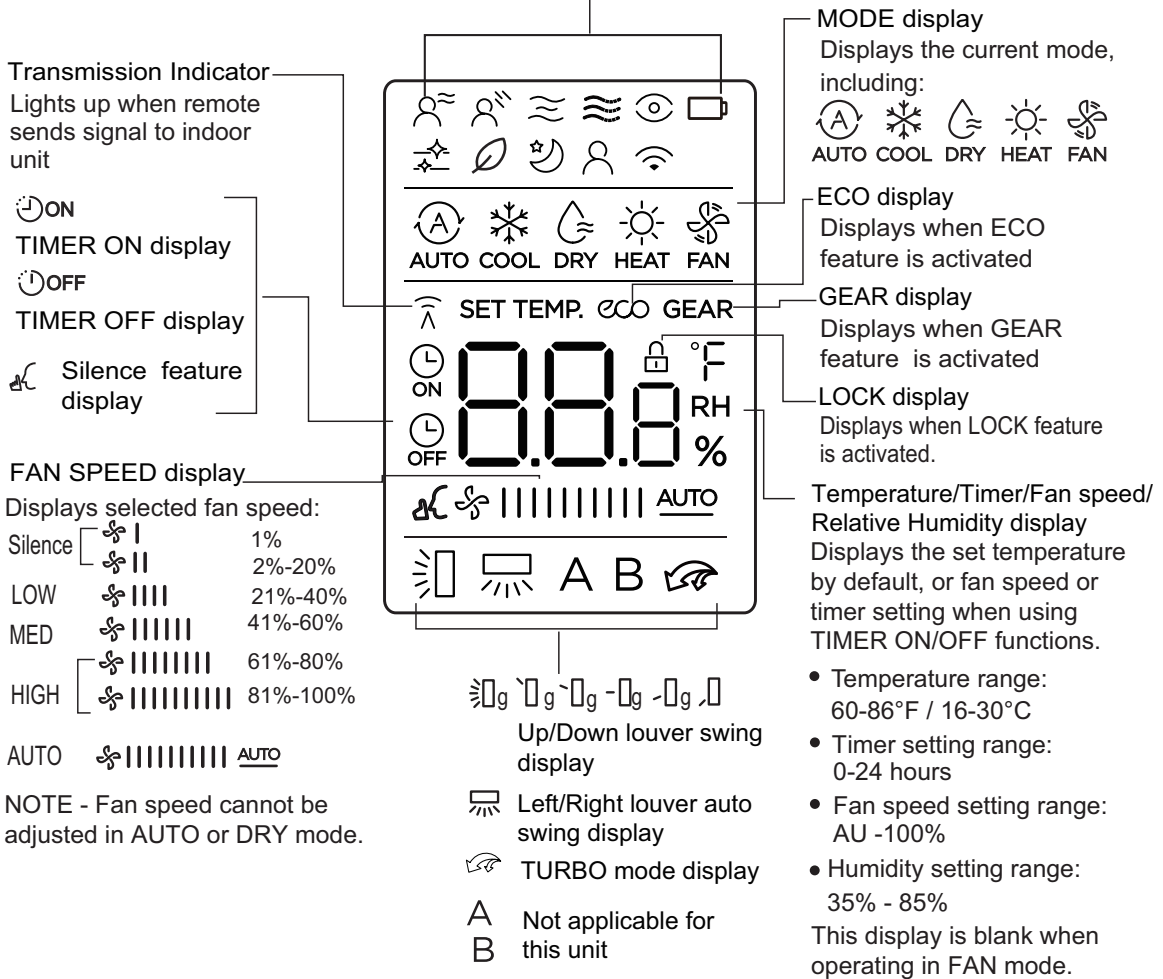
**NOTE** - Press and hold the button for 5 seconds to display the actual room temperature. Press more than 5 seconds to revert back to display set temperature.

# REMOTE CONTROLLERS - FURNISHED

## WIRELESS REMOTE CONTROLLER INDICATORS (RG10L-WM)

Information is displayed when the Wireless Remote Controller is powered on.

- |  |   |  |                                     |
|--|---|--|-------------------------------------|
|  | Not applicable for this unit                          |  | <b>Active Clean</b> feature display |
|  | <b>Breeze Away</b> feature display                    |  | Not applicable for this unit        |
|  | Not applicable for this unit                          |  | <b>Sleep</b> feature display        |
|  | Not applicable for this unit                          |  | <b>Follow Me</b> feature display    |
|  | Not applicable for this unit                          |  | Not applicable for this unit        |
|  | <b>ECO Intelligent Eye</b> display<br>(certain units) |  | Low battery detection (flashing)    |



**Note:**  
All icons are shown for display purposes only.  
During actual unit operation, only active icons are displayed.

## REMOTE CONTROLLERS - FURNISHED

### WIRELESS REMOTE CONTROLLER OPERATION (RG10L-WM)

#### Auto Operation

1. Press the **MODE** button to select Auto.
2. Press the **UP/DOWN** button to set the desired temperature.
3. Press the **ON/OFF** button to start the system.

#### Cooling /Heating/Fan Operation

1. Press the **MODE** button to select **COOL, HEAT** or **FAN** mode.
2. Press the **UP/DOWN** buttons to set the desired temperature.
3. Press the **FAN** button to select the fan speed.
4. Press the **ON/OFF** button to start the system.

#### Dehumidifying (DRY) Operation

1. Press the **MODE** button to select **DRY** mode.
2. Press the **UP/DOWN** buttons to set the desired temperature.
3. Press the **ON/OFF** button to start the system.

**NOTE** - Fan speed selection is disabled.

#### Timer ON/OFF Operation

1. Press the **TIMER** button. The remote controller shows **TIMER ON** or **TIMER OFF** icon
2. Press the **TIMER** button again to set desired time. Each time the button is pressed the time increases by 30 minutes between 0 and 10 hours and then by 60 minutes between 10 and 24 hours.
3. After setting the **TIMER ON** or **TIMER OFF** there will be a one second delay before the remote controller transmits the signal to the unit. After approximately 2 seconds the set temperature will re-appear on the LCD display window.

#### Silence Operation

1. Press the **FAN** button for more than 2 seconds to activate or disable the Silence function

#### Lock Function

1. Press the **TURBO** and **HUMIDITY** buttons together two times in less than one second to lock the Controller to prevent tampering
2. Press the **TURBO** and **HUMIDITY** together buttons again for two seconds to unlock the Controller

#### Swing Function

1. Press the Swing button to activate up/down louver operation. Louvers oscillate up and down automatically. Press and hold the Swing button again to disable.

**NOTE** - Pressing the Swing button multiple times will set the louvers at five different fixed airflow angles.

2. Press and hold Swing button for 2 seconds to activate left/right louver operation. Louvers swing left and right automatically.

### SET BUTTON FUNCTIONS

#### Breeze Away

- Prevents unit from blowing air directly on a person

**NOTE** - Only available in **COOL, FAN** or **DRY** modes.

#### Active Clean

- Washes away dust, mold, and grease that may cause odors when it adheres to the indoor coil by automatically freezing and then rapidly thawing the coil
- Indoor unit displays "CL"

- After 20 to 45 minutes the unit will automatically turn cancel the operation

**NOTE** - Only available in **COOL** or **DRY** modes.

#### Sleep

- Enables the system to automatically increase cooling or decrease heating (in 2°F increments) per hour for the first 2 hours, then maintain a steady temperature for 5 hours

- System keeps the final operation mode after 8 total hours of operation

**NOTE** - To cancel, push the "MODE", "FAN SPEED" or "ON/OFF" buttons.

SLEEP mode is only available when the unit is in **COOL, HEAT** or **AUTO** mode

#### Follow Me

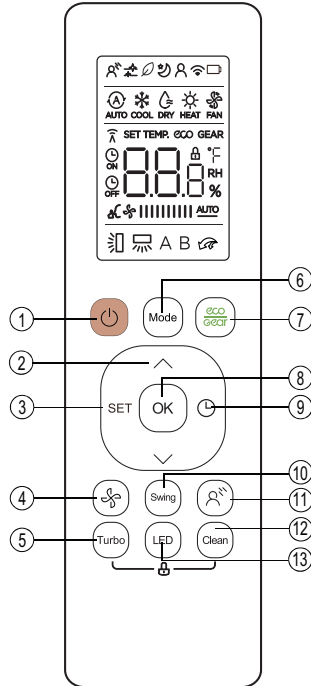
- Allows remote temperature sensing of the room at the remote controller location

## REMOTE CONTROLLERS - FURNISHED

### WIRELESS REMOTE CONTROLLER (RG10B-CSWHB)

#### (FURNISHED WITH M33C CASSETTE INDOOR UNITS)

- Complete remote control of system
- Maximum operating range is 25 ft.
- Operates on two AAA 1.5V batteries (furnished)
- Wireless remote controller holder furnished
- Holder can be mounted on a wall for easy access
- Mounting screws furnished



#### 1 ON/OFF Button

- Turns system on and off

#### 2 UP/DOWN Buttons ^ v

- Increase or decrease the indoor temperature in one degree increments (maximum 86°F, minimum 60°F)

**NOTE** - Temperature cannot be adjusted in FAN mode.

**NOTE** - Press and hold and buttons together for 3 seconds to alternate the temperature display between the °C and °F scale.

#### 3 SET Button

- Scrolls through unit operations in this order:

3. Sleep

4. Follow Me

**NOTE** - The selected symbol will flash on the display area. Press the OK button to confirm.

#### 4 FAN Button

- Cycles fan speeds in the following order:
  - AUTO → 20% → 40% → 60% → 80% → 100%

**NOTE** - Holding Fan button down for 2 seconds will activate **Silence** feature.

#### 5 TURBO Button

- Enables the unit to reach the preset temperature during cooling or heating operation in the shortest time

#### 6 MODE Button

- Select system operation modes
- Press button to cycle through each setting:
  - AUTO → COOL → DRY → HEAT → FAN

#### 7 ECO/GEAR Button

- Controls temperature/energy efficiency of the unit

**NOTE** - Only available in cooling mode.

##### ECO Operation

- Sets unit to 75°F unit operation if setpoint is lower
- Sets fan to Auto operation if setpoint is over 75°F

**NOTE** - If setpoint is manually changed to less than 75°F, ECO operation is canceled.

##### GEAR Operation

- Reduces electrical consumption to 75% or 50%

#### 8 OK Button

- Confirms selected function

#### 9 TIMER Button

- Initiates an auto-on or auto-off time sequence
- Press TIMER button to initiate the ON time sequence
- Press Temp. up or down button for multiple times to set the desired time to turn on the unit
- Press TIMER button to initiate the OFF time sequence.

**NOTE** - Each press of the button increases or decreases the time (depending on function) in 30 minute increments up to 10 hours.

Above 10 hours each press of the button will increase or decrease the auto-timed setting by 60 minutes up to 24 hours.

To cancel, set timer to 0.0 or turn remote off and on.

#### 10 SWING Button

- Used to stop or start louver auto swing feature

#### 11 BREEZE AWAY Button

- Prevents unit from blowing air directly on a person

**NOTE** - Only available in COOL, FAN or DRY modes.

#### 12 CLEAN Button

- Start/stop the Active Clean function (see description on Page 15)

#### 13 LED Button

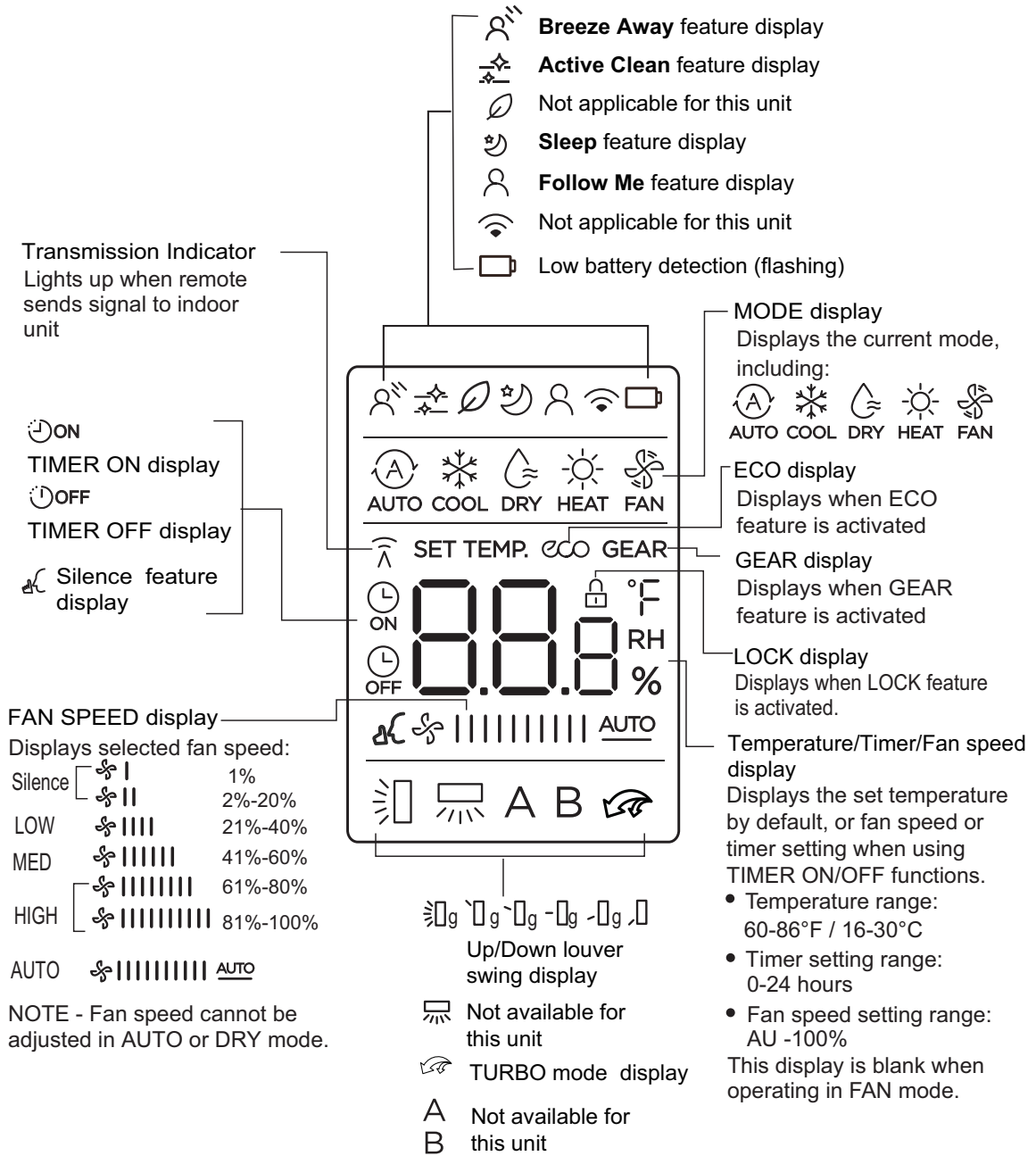
- Turns the LCD display backlight on the indoor unit on or off

**NOTE** - Press and hold the button for 5 seconds to display the actual room temperature. Press more than 5 seconds to revert back to display set temperature.

# REMOTE CONTROLLERS - FURNISHED

## WIRELESS REMOTE CONTROLLER INDICATORS (RG10B-CSWHB)

Information is displayed when the Wireless Remote Controller is powered on.



Note:  
All icons are shown for display purposes only.  
During actual unit operation, only active icons are displayed.

## REMOTE CONTROLLERS - FURNISHED

### WIRELESS REMOTE CONTROLLER OPERATION (RG10B-CSWHB)

#### Auto Operation

1. Press the **MODE** button to select Auto.
2. Press the **UP/DOWN** button to set the desired temperature.
3. Press the **ON/OFF** button to start the system.

#### Cooling /Heating/Fan Operation

1. Press the **MODE** button to select **COOL, HEAT** or **FAN** mode.
2. Press the **UP/DOWN** buttons to set the desired temperature.
3. Press the **FAN** button to select the fan speed in four steps- Auto, Low, Med or High.
4. Press the **ON/OFF** button to start the system.

#### Dehumidifying (DRY) Operation

1. Press the **MODE** button to select **DRY** mode.
2. Press the **UP/DOWN** buttons to set the desired temperature.
3. Press the **ON/OFF** button to start the system.

**NOTE** - Fan speed selection is disabled.

#### Timer ON/OFF Operation

1. Press the **TIMER** button. The remote controller shows **TIMER ON** or **TIMER OFF** icon
2. Press the **TIMER** button again to set desired time. Each time the button is pressed the time increases by 30 minutes between 0 and 10 hours and then by 60 minutes between 10 and 24 hours.
3. After setting the **TIMER ON** or **TIMER OFF** there will be a one second delay before the remote controller transmits the signal to the unit. After approximately 2 seconds the set temperature will re-appear on the LCD display window.

#### Silence Operation

1. Press the **FAN** button for more than 2 seconds to activate or disable the Silence function

#### Lock Function

1. Press the **TURBO** and **CLEAN** buttons together two times in less than one second to lock the Controller to prevent tampering
2. Press the **TURBO** and **CLEAN** together buttons again for two seconds to unlock the Controller

#### Swing Function

1. Press the **Swing** button to activate up/down louver operation. Louvers oscillate up and down automatically. Press and hold the Swing button again to disable.

**NOTE** - Pressing the Swing button multiple times will set the louvers at five different fixed airflow angles.

### SET BUTTON FUNCTIONS

#### Sleep

- Enables the system to automatically increase cooling or decrease heating (in 2°F increments) per hour for the first 2 hours, then maintain a steady temperature for 5 hours
- System keeps the final operation mode after 8 total hours of operation

**NOTE** - To cancel, push the "MODE", "FAN SPEED" or "ON/OFF" buttons.

SLEEP mode is only available when the unit is in COOL, HEAT or AUTO mode

#### Follow Me

- Allows remote temperature sensing of the room at the remote controller location

### CLEAN FUNCTION

#### Active Clean

- Washes away dust, mold, and grease that may cause odors when it adheres to the indoor coil by automatically freezing and then rapidly thawing the coil
- Indoor unit displays "CL"
- After 20 to 45 minutes the unit will automatically turn cancel the operation

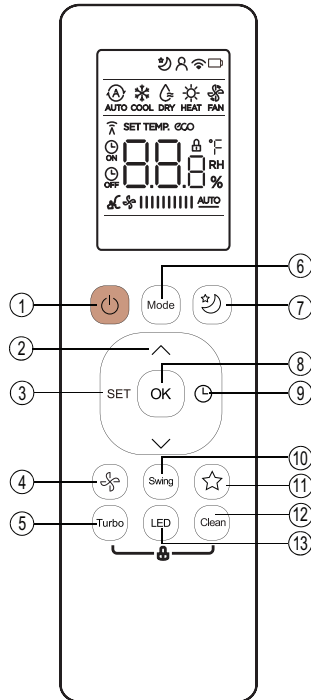
**NOTE** - Only available in COOL or DRY modes.

## REMOTE CONTROLLERS - FURNISHED

### WIRELESS REMOTE CONTROLLER (RG10B-DCFC)

(FURNISHED WITH M22A CASSETTE, FLOOR-MOUNT, CEILING/FLOOR AND CONSOLE MOUNT INDOOR UNITS. OPTIONAL FOR DUCTED INDOOR UNITS)

- Complete remote control of system
- Maximum operating range is 25 ft.
- Operates on two AAA 1.5V batteries (furnished)
- Wireless remote controller holder furnished
- Holder can be mounted on a wall for easy access
- Mounting screws furnished



#### 1 ON/OFF Button

- Turns system on and off

#### 2 UP/DOWN Buttons ^ v

- Increase or decrease the indoor temperature in one degree increments (maximum 86°F, minimum 62°F)

**NOTE** - Temperature cannot be adjusted in FAN mode.

**NOTE** - Press and hold and buttons together for 3 seconds to alternate the temperature display between the °C and °F scale.

#### 3 SET Button

- Scrolls through unit operations in this order:

1. Follow Me

**NOTE** - The selected symbol will flash on the display area. Press the OK button to confirm.

#### 4 FAN Button

- Cycles fan speeds in the following order:
  - AUTO → LOW → MED → HIGH

**NOTE** - Holding Fan button down for 2 seconds will activate **Silence** feature.

#### 5 TURBO Button

- Enables the unit to reach the preset temperature during cooling or heating operation in the shortest time

#### 6 MODE Button

- Select system operation modes
- Press button to cycle through each setting:
  - AUTO → COOL → DRY → HEAT → FAN

#### 7 SLEEP Button

**Sleep**

- Enables the system to automatically increase cooling or decrease heating (in 2°F increments) per hour for the first 2 hours, then maintain a steady temperature for 5 hours
- System keeps the final operation mode after 8 total hours of operation

#### 8 OK Button

- Confirms selected function

#### 9 TIMER Button

- Initiates an auto-on or auto-off time sequence
- Press TIMER button to initiate the ON time sequence
- Press Temp. up or down button for multiple times to set the desired time to turn on the unit
- Press TIMER button to initiate the OFF time sequence.

**NOTE** - Each press of the button increases or decreases the time (depending on function) in 30 minute increments up to 10 hours.

Above 10 hours each press of the button will increase or decrease the auto-timed setting by 60 minutes up to 24 hours.

To cancel, set timer to 0.0 or turn remote off and on.

#### 10 SWING Button

- Used to stop or start louver auto swing feature

#### 11 SHORTCUT Button

- Restore the current settings or resume the previous settings

#### 12 CLEAN Button

- Start/stop the Self-Clean function
- Unit cleans itself automatically

**NOTE** - Only available in COOL or DRY modes.

**NOTE** - Not for MCFA036-048 and MMDB036-048 models.

#### 13 LED Button

- Turns the LCD display backlight on the indoor unit on or off

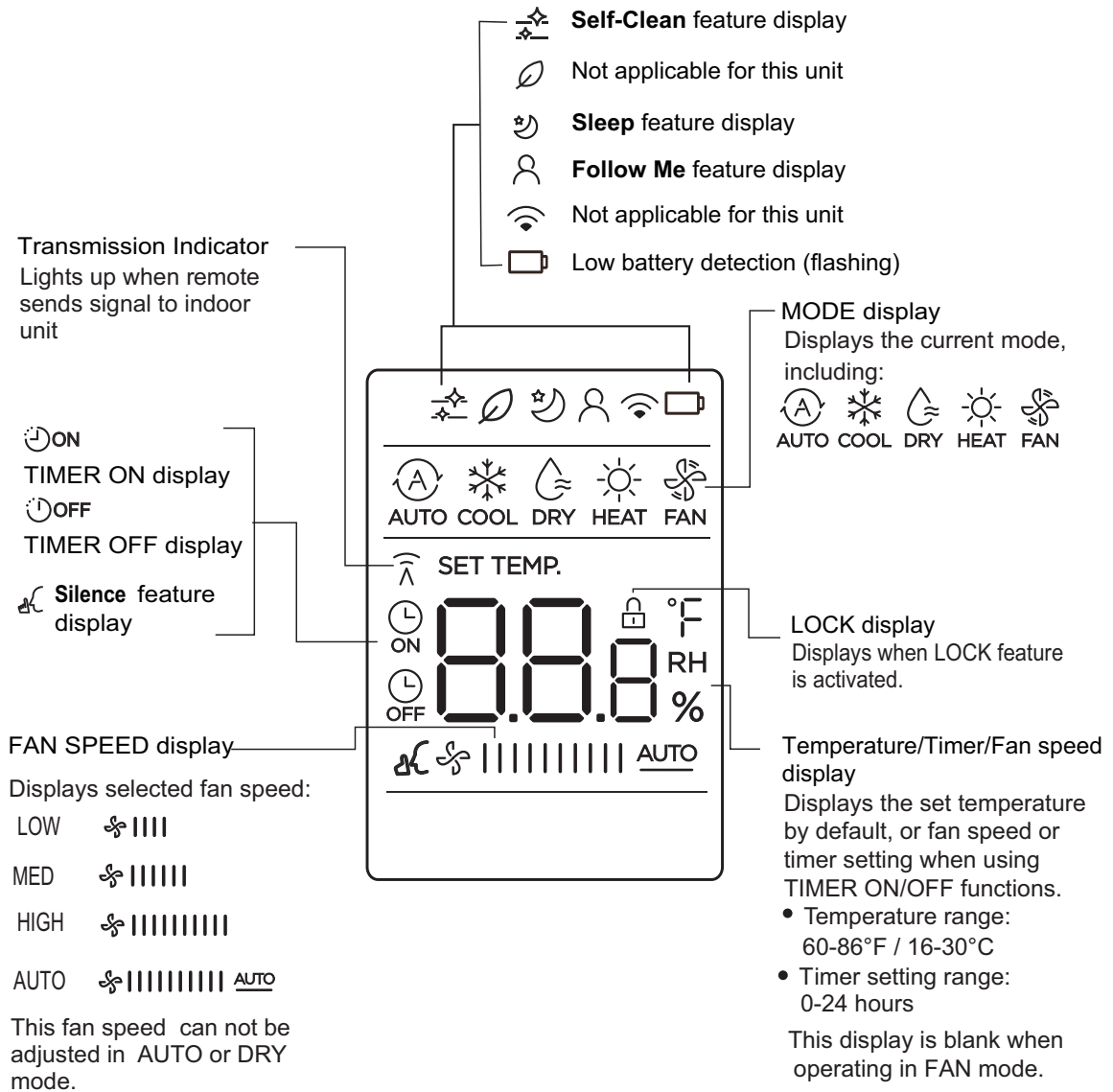
**NOTE** - Press and hold the button for 5 seconds to display the actual room temperature. Press more than 5 seconds to revert back to display set temperature.



# REMOTE CONTROLLERS - FURNISHED

## WIRELESS REMOTE CONTROLLER INDICATORS (RG10B-DCFC)

Information is displayed when the Wireless Remote Controller is powered on.



**Note:**  
 All icons are shown for display purposes only.  
 During actual unit operation, only active icons are displayed.

## REMOTE CONTROLLERS - FURNISHED

### WIRELESS REMOTE CONTROLLER OPERATION (RG10B-DCFC)

#### Auto Operation

1. Press the **MODE** button to select Auto.
2. Press the **UP/DOWN** button to set the desired temperature.
3. Press the **ON/OFF** button to start the system.

#### Cooling /Heating/Fan Operation

1. Press the **MODE** button to select **COOL, HEAT** or **FAN** mode.
2. Press the **UP/DOWN** buttons to set the desired temperature.
3. Press the **FAN** button to select the fan speed in four steps- Auto, Low, Med or High.
4. Press the **ON/OFF** button to start the system.

#### Dehumidifying (DRY) Operation

1. Press the **MODE** button to select **DRY** mode.
2. Press the **UP/DOWN** buttons to set the desired temperature.
3. Press the **ON/OFF** button to start the system.

**NOTE** - Fan speed selection is disabled.

#### Timer ON/OFF Operation

1. Press the **TIMER** button. The remote controller shows **TIMER ON** or **TIMER OFF** icon
2. Press the **TIMER** button again to set desired time. Each time the button is pressed the time increases by 30 minutes between 0 and 10 hours and then by 60 minutes between 10 and 24 hours.
3. After setting the **TIMER ON** or **TIMER OFF** there will be a one second delay before the remote controller transmits the signal to the unit. After approximately 2 seconds the set temperature will re-appear on the LCD display window.

#### Silence Operation

1. Press the **FAN** button for more than 2 seconds to activate or disable the Silence function

#### Lock Function

1. Press the **TURBO** and **HUMIDITY** buttons together two times in less than one second to lock the Controller to prevent tampering
2. Press the **TURBO** and **HUMIDITY** together buttons again for two seconds to unlock the Controller

#### Swing Function

1. Press the **Swing** button to activate parallel louver operation. Louvers oscillate up and down automatically. Press and hold the Swing button again to disable.

**NOTE** - Pressing the Swing button multiple times will set the louvers at five different fixed airflow angles.

2. Press **Swing** button for 2 seconds to activate upright louver operation. Louvers swing left and right automatically.

### SET BUTTON FUNCTIONS

#### Follow Me

- Allows remote temperature sensing of the room at the remote controller location

## REMOTE CONTROLLERS - FURNISHED

### WIRED REMOTE CONTROLLER

#### (FURNISHED WITH DUCTED INDOOR UNITS)

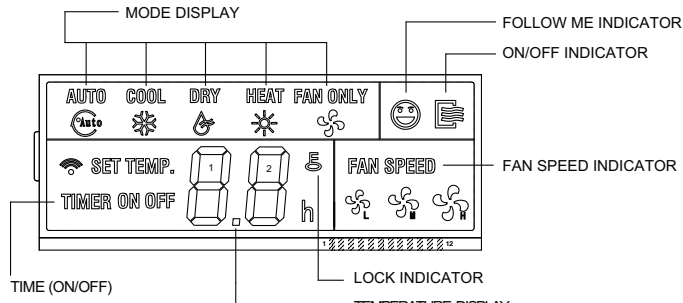
**NOTE** - Can be ordered separately for non-ducted indoor units.

#### FEATURES

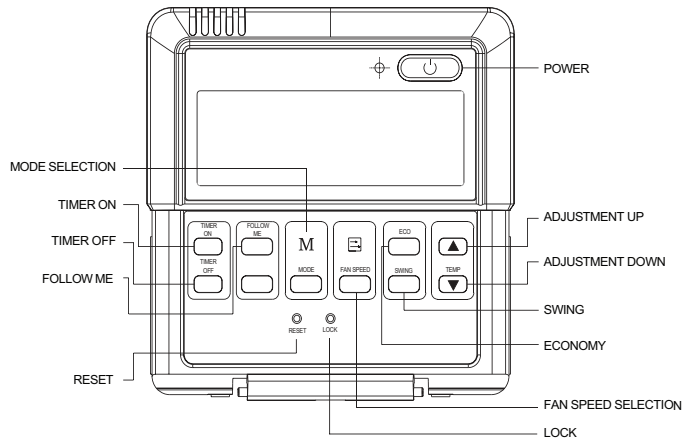
- Permanent Memory - Maintains clock, fan speed and mode of operation settings following power outages
- Dimensions (H x W x D) - 4-3/4 x 4-3/4 x 7/8 in.
- Additional hardware is furnished for installation
- Wiring - Controller uses 5-wire shielded 20 ft. (6 m) cable (furnished) for easy low voltage connection to the indoor unit
- Maximum cable length is 40 ft. (12 m)



#### DISPLAY

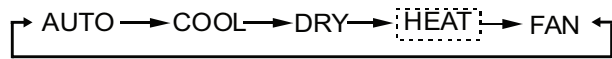


#### BUTTONS AND FUNCTIONS



#### MODE Button

- Select system operation modes. Push button to cycle through each setting

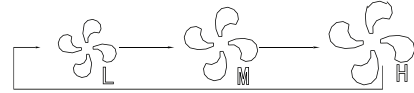


#### POWER Button

- Turns system on and off

#### FAN SPEED Button

- Selects fan speed. Each button press cycles through the following settings on display



**NOTE** - Not available in AUTO mode.

#### TIMER ON / TIMER OFF Buttons

- TIMER ON (initiates an auto-on time sequence)
- TIMER OFF (initiates an auto-off time sequence) can be used separately or together
- Each press of the button increases the time in 30 minute increments up to 10 hours
- Above 10 hours each press of the button will increase the auto-timed setting by 60 minutes up to 24 hours

**NOTE** - To cancel, set timer to 0.0.

#### UP/DOWN Buttons ▲ ▼

- Increase or decrease the indoor temperature in two degree increments (maximum 88°F, minimum 62°F).

**NOTE** - Temperature cannot be adjusted in FAN mode.

**NOTE** - Press and hold and buttons together for 3 seconds to alternate the temperature display between the °C and °F scale.

#### SWING Button

- Used to stop or start horizontal louver auto swing feature

#### ECONOMY Button

- Maintains the most comfortable temperature and saves energy

#### RESET Button (Recessed)

- Resets Controller to factory settings. Recessed to prevent tampering

#### LOCK Button (Recessed)

- Locks Controller buttons to prevent tampering with settings

### OPTIONAL ACCESSORIES

#### Extension Cable for Wired Remote Controller

- 20 ft. cable for easy low voltage connection to the indoor unit
- Extends cable to maximum 40 ft. length

## OPTIONAL ACCESSORIES - ORDER SEPARATELY

### WIRED PROGRAMMABLE CONTROLLER

M0STAT64Q-2



- Wired programmable local controller for mini-split indoor units with convenient timed schedules for daily operation
- Up to 8 events per day
- Schedule start time, mode, setpoint, and fan speed
- Compatible with all indoor units
- Copy/paste function for easy duplication of events to other days
- Built-in system diagnostics
- Large, back-lit, easy-to-read LCD screen with digital display

#### BUTTONS AND FUNCTIONS

##### POWER Button

- Turn system on and off

##### FAN SPEED Button

- Scroll through fan speeds (Auto - Low - Med - High)

##### MODE Button

- Use + and – buttons to scroll through available operation modes (Auto / Cool / Dry / Fan / Heat)

##### PLUS (+) and MINUS (-) Buttons

- Setpoint adjustment (62-86°F)
- Select days of the week when setting a schedule
- Select mode of operation

##### SWING Button

- Stop or start horizontal (up/down) louver auto swing
- Controls swing oscillation and louver angle in 6° increments

##### TIMER Button

- Sets current time of day (24 hour clock)
- Setup weekly schedules or to setup timed operation for the indoor unit
- Stop/Stop timed operation

##### DAY OFF / DEL Button

- Disable specific days/schedules of the week
- Delete a specific event

##### CONFIRM Button

- Confirms each step when managing schedules

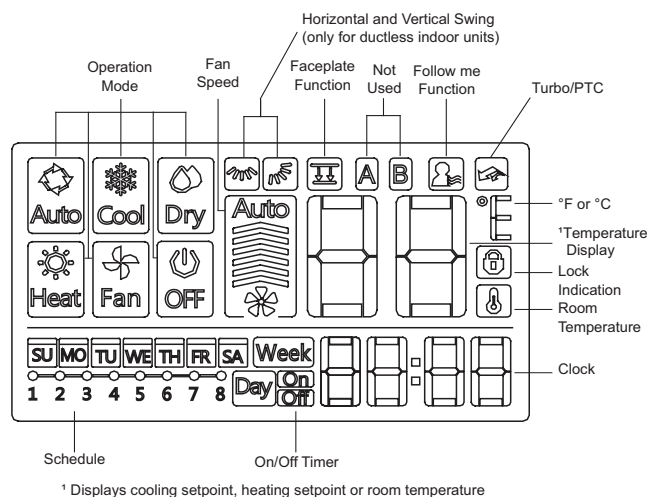
##### BACK/TURBO Button

- Turbo sets indoor unit fan speed to high for a factory-set time period

##### COPY/FOLLOW ME Button

- Toggles between room temperature sensing from the indoor unit or the controller

#### DISPLAY



- Audible tone when a button is pressed (can be disabled)
- Lock function disables buttons to prevent tampering
- Controller uses 4-wire shielded 20 ft. (6 m) cable (furnished) for easy low voltage connection to the indoor unit
- Adaptor cables are furnished for various indoor unit connections

**NOTE** - Cable for longer lengths must be ordered separately.

**NOTE** - Maximum cable length is 164 ft. (50 m).

- Hardware for mounting furnished
- Mounts to standard electrical junction box (not furnished)
- Lithium battery furnished
- Power Supply: 5 VDC
- Dimensions (H x W x D): 4-7/8 x 4-3/4 x 3/4 in. (124 x 121 x 19 mm)

#### OPTIONAL ACCESSORIES

##### Extension Cable for Wired Programmable Controller

- 20 ft. cable for easy low voltage connection to the indoor unit
- Extends cable to 40 ft. (12 m) length

## OPTIONAL ACCESSORIES - ORDER SEPARATELY

### OUTDOOR UNITS

#### Condenser Pad

- Provides permanent foundation for outdoor units
- One-piece lightweight structural foam and molded from high-density polyethylene (HDPE)
- Lightweight, easy to carry and install
- Textured finish provides a non-skid surface so outdoor unit sits securely in one place
- UV stable

#### Disconnects

- Positive unit disconnect
- Single door enclosure
- Fused and non-fused models available

#### Fuses

- 30 and 60 amp fuses available

#### Indoor/Outdoor Wiring Cable

- 14-gauge, 4-conductor wire
- THHN (Thermoplastic High Heat-resistant Nylon-coated) wire
- Suitable for wet or dry locations
- Rated up to 600V

#### Refrigerant Line Sets

- Refrigerant lines are shipped refrigeration clean
- Lines are cleaned, dried, pressurized and sealed at factory

#### Wall Brackets

- Heavy duty 1/8 in. thick steel brackets for supporting outdoor units
- Mount at any height to allow for easy maintenance under units
- Pre-punched holes for easy installation
- Powder coated gray finish
- Load rating 600 lbs. per pair

#### Whips

- Heavy duty electrical whips are available in 8 and 10 gauge sizes
- 6 ft. lengths
- Weatherproof metal conduit

### INDOOR UNITS

#### Condensate Pumps

- Quietly and efficiently removes condensate
- See Optional Accessories Table for available pumps

#### A/C Easy Tee® Condensate Cleanout

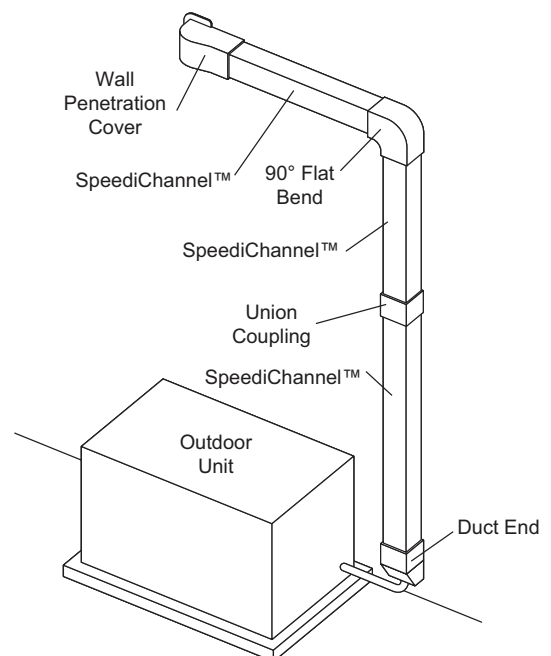
- Condensate drain service port
- Flexible and easy to use with nitrogen, water or shop vac
- Screw cap on top allows easy access to condensate drain line

### SPEEDICHANNEL™ SYSTEM



- SpeediChannel™ is a channel system covers system line sets
- Two-part system has a base and a cover
- Base is fastened to a wall or ceiling with plastic clips (SpeediClip™) that snap into a channel already molded into the base
- Cover fits on top of the base
- Manufactured from rigid PVC, which is UL rated and resistant to UV light
- System is a natural color that closely matches typical mini-split outdoor units
- Can be painted as desired to match any wall color

#### Typical Application



## OPTIONAL ACCESSORIES - ORDER SEPARATELY

### **SPEEDICHANNEL™ SYSTEM (continued)**

#### **SpeediChannel™ Starter Kit**

- The starter kit includes (1) Coupling, (1) Wall Penetration, (1) Inside Elbow, (1) Long Radius Flat Bend, (10) Speediclips™, (10) 11 in. Cable Ties, and (1) SpeediChannel Instruction Booklet

#### **Duct End**

- Duct Ends are used to terminate a run of SpeediChannel™ to a small opening just large enough for the line set and condensate drain line to pass through



#### **Flat Wall Escutcheon**

- Flat Wall Escutcheons are used to cover a rough opening in a soffit, wall, or ceiling penetration



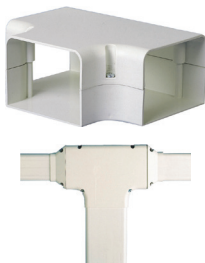
- One side of the escutcheon is flat to allow for a SpeediChannel™ to run along a wall and to penetrate through an adjacent wall or ceiling
- This is the most common type of wall penetration
- Furnished in two parts, the escutcheon easily snaps onto the SpeediChannel™

#### **Flex Joint**

- A Flex Joint is an accordion-style piece of SpeediChannel™
- The flex joint can be extremely flexible when routing a SpeediChannel™ system around an obstacle
- Each joint is 20 in. long and can be combined together for longer flex runs
- The flex joint does not require the use of a union coupling
- The flex joint slides tightly inside the SpeediChannel™ system

#### **T-Joint**

- T-Joints are used for creating a tee connection between three pieces of SpeediChannel™
- Each tee is individually packed and furnished with stainless steel screws



#### **Union Coupling**

- Union Couplings are used for joining two pieces of SpeediChannel™
- Each coupling is individually packed and furnished with stainless steel screws



#### **Wall Penetration Cover**

- Wall penetration covers are used to transition from the SpeediChannel™ system to a through wall penetration
- Wall covers are designed to allow for easy installation, even after the line set has been installed
- A hooking and fastening arrangement allows for quick installation
- Each wall cover is individually packed, and furnished with stainless steel screws to attach the wall cover to the base
- Three screws are necessary to fasten the wall cover to the wall construction, regardless of the type of installed system



#### **45° and 90° Flat Bend Elbows**

- 45° Flat Bends are used to route the SpeediChannel™ around obstacles
- Each bend is individually packed and furnished with stainless steel screws



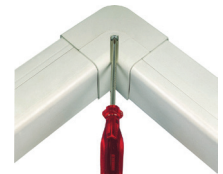
45°



90°

#### **90° Inside Elbow**

- 90° Inside Elbows are used to route the SpeediChannel™ around an inside corner
- Each elbow is individually packed and furnished with stainless steel screws



#### **Mount Block White Qty. (2) 14 in. and (2) 36 in.**

- Mount Blocks are used as mounting bases when outdoor units must be bolted down
- End caps (for aesthetics) come furnished with mounting bolts
- Maximum load capacity is 900 pounds per mounting block
- Installation temperatures range from -4°F to 140°F
- Mount blocks fit all mini-split outdoor units with a sliding rail feature



**SPECIFICATIONS** **OUTDOOR UNITS - 0.75 TON | 1.5 TON**

Nominal Size - Tons		0.75	1	1.5	
Outdoor Unit Model No.		<b>MPC009S4S</b>	<b>MPC012S4S</b>	<b>MPC018S4S</b>	
Ambient Temperature Operating Range - °F	Cooling	-13 - 122	-13 - 122	-13 - 122	
	Heating	-13 - 86	-13 - 86	-13 - 86	
Sound Data (dBA)	Cooling/Heating (115V)	- - -	54	- - -	
	Cooling/Heating (208/230V)	53	53.5	58	
Refrigerant (R-410A)	Charge furnished (115V)	- - -	2 lbs. 8 oz.	- - -	
	Charge furnished (208/230V)	2 lbs. 6 oz.	2 lbs. 6 oz.	3 lbs. 8 oz.	
	Maximum line length with furnished charge - ft.	15	15	15	
	Additional charge required per ft. - oz.	0.16	0.16	0.16	
Compressor	No. and Type	(1) Rotary	(1) Rotary	(1) Rotary	
	Refrigerant oil type	Ester Oil VG74	Ester Oil VG74	Ester Oil VG74	
	Refrigerant oil charge - oz.	10.5	10.5	14.9	
Connections - in.	Liquid/Gas pipe (flare)	1/4 / 3/8	1/4 / 1/2	1/4 / 1/2	
	Maximum refrigerant pipe length - ft.	82	82	98	
	Max. difference in level of indoor unit - ft.	33	33	66	
Outdoor Fan	(No.) Diameter - in.	16-1/2	16-1/2	16-1/2	
	Total air volume - cfm	1295	1295	1765	
	rpm	800	800	810	
Outdoor Coil	Number of rows	2	2	3	
	Fins per inch	21	21	19	
	Fin type	Hydrophillic aluminum			
	Tube outside diameter - in.	5/16	5/16	5/16	
	Tube type	Rifled copper tubing			
	Net face area - ft. <sup>2</sup>	4.04	4.04	5.90	
	Application area - sq. ft.	130 - 195	170 - 250	260 - 375	
Design Pressure	PSIG	550/340	550/340	550/340	
Shipping Data	Net/Shipping weight (lbs.) (115V)	- - -	67 / 72	- - -	
	(208/230V)	64 / 69	64 / 69	95 / 102	
<b>ELECTRICAL DATA</b>					
<b>Electrical Characteristics - 60 Hz - 1 Phase</b>		208/230V	115V	208/230V	208/230V
<sup>1</sup> Maximum Overcurrent Protection (MOCP) amps		15	25	15	25
<sup>2</sup> Minimum circuit ampacity (MCA)		13	19	13	17
Compressor Rated load amps		6.4	6.4	6.4	12
Outdoor Fan Motor	Rated load amps	0.4	0.6	0.4	0.76
	Output - W	34	34	34	80

NOTE - Extremes of operating range are plus and minus 10% of line voltage.

<sup>1</sup> HACR type circuit breaker or fuse.

<sup>2</sup> Refer to National or Canadian Electrical Code manual to determine wire, fuse and disconnect size requirements.

**SPECIFICATIONS** **OUTDOOR UNITS - 2 TON | 2.5 TON**

Nominal Size - Tons		2	2.5
Outdoor Unit Model No.		<b>MPC024S4S</b>	<b>MPC030S4S</b>
Ambient Temperature Operating Range - °F	Cooling	-13 - 122	-13 - 122
	Heating	-13 - 86	-13 - 86
Sound Data (dBA)	Cooling/Heating	60	61.5
Refrigerant (R-410A)	Charge furnished	5 lbs. 3 oz.	6 lbs. 1 oz.
	Maximum line length with furnished charge - ft.	30	30
	Additional charge required per ft. - oz.	0.32	0.32
Compressor	No. and Type	(1) Rotary	(1) Rotary
	Refrigerant oil type	POE Oil VG74	POE Oil VG74
	Refrigerant oil charge - oz.	21.0	22.7
Connections - in.	Liquid/Gas pipe (flare)	3/8 / 5/8	3/8 / 5/8
	Maximum refrigerant pipe length - ft.	164	164
	Max. difference in level of indoor unit - ft.	82	82
Outdoor Fan(s)	(No.) Diameter - in.	(1) 22	(1) 22
	Total air volume - cfm	2235	2235
	rpm	900	900
Outdoor Coil	Number of rows	2.6	2.6
	Fins per inch	18	18
	Fin type	Hydrophilic aluminum	
	Tube outside diameter - in.	5/16	5/16
	Tube type	Rifled copper tubing	
	Net face area - ft. <sup>2</sup>	8.21	8.22
Design Pressure	PSIG	550/340	550/340
Shipping Data	Net/Shipping weight (lbs.)	125 / 135	142 / 152
<b>ELECTRICAL DATA</b>			
Electrical Characteristics - 60 Hz - 1 Phase		208/230V	208/230V
<sup>1</sup> Maximum Overcurrent Protection (MOCP) amps		30	30
<sup>2</sup> Minimum circuit ampacity (MCA)		22	23
Compressor Rated load amps		13	15
Outdoor Fan Motor	Rated load amps	0.5	0.6
	Output - W	120	120

NOTE - Extremes of operating range are plus and minus 10% of line voltage.

<sup>1</sup> HACR type circuit breaker or fuse.

<sup>2</sup> Refer to National or Canadian Electrical Code manual to determine wire, fuse and disconnect size requirements.



**SPECIFICATIONS** **OUTDOOR UNITS - 3 TON | 4 TON**


Nominal Size - Tons		3	4
Outdoor Unit Model No.		<b>MPC036S4S</b>	<b>MPC048S4S</b>
Ambient Temperature Operating Range - °F	Cooling	-13 - 122	-13 - 122
	Heating	-13 - 86	-13 - 86
Energy Star		No	No
Sound Data (dBA)	Cooling/Heating	65	63.5
Refrigerant (R-410A)	Charge furnished	7 lbs. 1 oz.	9 lbs. 15 oz.
	Maximum line length with furnished charge - ft.	25	25
	Additional charge required per ft. - oz.	0.32	0.32
Compressor	No. and Type	(1) Rotary	(1) Rotary
	Refrigerant oil type	POE Oil VG74	POE Oil VG74
	Refrigerant oil charge - oz.	33.8	47.3
Connections - in.	Liquid/Gas pipe (flare)	3/8 / 5/8	3/8 / 5/8
	Maximum refrigerant pipe length - ft.	213	213
	Max. difference in level of indoor unit - ft.	98	98
Outdoor Fan(s)	(No.) Diameter - in.	(1) 22	(2) 22
	Total air volume - cfm	2120	4500
	rpm	1050	900
Outdoor Coil	Number of rows	2	2
	Fins per inch	18	18
	Fin type	Hydrophilic aluminum	
	Tube outside diameter - in.	3/8	3/8
	Tube type	Rifled copper tubing	
	Net face area - ft. <sup>2</sup>	8.16	13.53
Design Pressure	PSIG	550/340	550/340
Shipping Data	Net/Shipping weight (lbs.)	155 / 166	219 / 249
<b>ELECTRICAL DATA</b>			
Electrical Characteristics - 60 Hz - 1 Phase		208/230V	208/230V
<sup>1</sup> Maximum Overcurrent Protection (MOCP) amps		45	50
<sup>2</sup> Minimum circuit ampacity (MCA)		30	36.5
Outdoor Fan Motor	Output - W	120	(2) 85

NOTE - Extremes of operating range are plus and minus 10% of line voltage.

<sup>1</sup> HACR type circuit breaker or fuse.

<sup>2</sup> Refer to National or Canadian Electrical Code manual to determine wire, fuse and disconnect size requirements.

**SPECIFICATIONS**
**WALL-MOUNTED INDOOR UNITS**

		<b>Model No.</b>	<b>MWMC009S4</b>	<b>MWMC012S4</b>	<b>MWMC012S4</b>
					
		Nominal Tons	0.75	1	1
Power Supply - 60 hz - 1 phase			208/230V	115V	208/230V
Rated load amps			0.25	0.2	0.25
Output (W)			20	20	20
Room Temperature Range (°F)	Cooling		60 - 90	60 - 90	60 - 90
	Heating		32 - 86	32 - 86	32 - 86
Air Volume - cfm (High/Medium/Low)			335/230/176	353/294/235	335/230/176
Sound Data (dBA) - Low/Medium/High			23/34/38	40.5/35/23.5	36/33.5/22.5
Piping Connections - Liquid/Gas - o.d. - flare - in.			1/4 / 3/8	1/4 / 1/2	1/4 / 1/2
Drain connection o.d. - in.			1	1	1
Net/Shipping weights - lbs.			23 / 29	23 / 29	23 / 29

**SPECIFICATIONS**

		<b>Model No.</b>	<b>MWMC018S4</b>	<b>MWMC024S4</b>	<b>MWMC030S4</b>
		Nominal Tons	1.5	2	2.5
Power Supply - 60 hz - 1 phase			208/230V	208/230V	208/230V
Rated load amps			0.13	0.5	0.5
Output (W)			30	58	58
Room Temperature Range (°F)	Cooling		60 - 90	60 - 90	60 - 90
	Heating		32 - 86	32 - 86	32 - 86
Air Volume - cfm (High/Medium/Low)			524/76/306	611/414/319	646/505/382
Sound Data (dBA) - Low/Medium/High			46.5/43/32.5	44/39.5/34	46/40.5/33
Piping Connections - Liquid/Gas - o.d. - flare - in.			1/4 / 1/2	3/8 / 5/8	3/8 / 5/8
Drain connection o.d. - in.			1	1	1
Net/Shipping weights - lbs.			27 / 36	44 / 55	44 / 55

**SPECIFICATIONS**
**CASSETTE INDOOR UNITS**


<b>Model No.</b>		<b>M22A009S4</b>	<b>M22A012S4</b>	<b>M22A018S4</b>
Nominal Tons		0.75	1	1.5
Power Supply - 60 hz - 1 phase		208/230V	208/230V	208/230V
Rated load amps		0.9	1.0	1.5
Output (W)		46	46	46
Room Temperature Range (°F)	Cooling	62 - 90	62 - 90	62 - 90
	Heating	32 - 86	32 - 86	32 - 86
Air Volume - cfm (High/Medium/Low)		375/300/255	380/310/260	560/485/415
Sound Data (dBA) - Low/Medium/High		33/37/41	36/39/43	36/39/44
Piping Connections - Liquid/Gas - o.d. - flare - in.		1/4 / 3/8	1/4 / 1/2	1/4 / 1/2
Drain connection o.d. - in.		1	1	1
Net/Shipping weights - lbs.	Body	32 / 38	36 / 41	36 / 42

**REQUIRED COMPONENTS - ORDERED SEPARATELY**

Cassette Panel		<b>13X04</b>	<b>13X04</b>	<b>13X04</b>
Net/Shipping weights - lbs.		6 / 10	6 / 10	6 / 10

**SPECIFICATIONS**

<b>Model No.</b>		<b>M33C024S4</b>	<b>M33C036S4</b>	<b>M33C048S4</b>
Nominal Tons		2	3	4
Power Supply - 60 hz - 1 phase		208/230V	208/230V	208/230V
Rated load amps		1.0	1.0	1.5
Output (W)		45	125	125
Room Temperature Range (°F)	Cooling	60 - 90	60 - 90	60 - 90
	Heating	32 - 86	32 - 86	32 - 86
Air Volume - cfm (High/Medium/Low)		706 / 635 / 547	947 / 853 / 753	1171 / 1059 / 935
Sound Data (dBA) - Low/Medium/High		43 / 46 / 49	52.5 / 50 / 46.5	55 / 53 / 50
Piping Connections - Liquid/Gas - o.d. - flare - in.		3/8 / 5/8	3/8 / 5/8	3/8 / 5/8
Drain connection o.d. - in.		1	1	1
Net/Shipping weights - lbs.	Body	48 / 56	60 / 69	65 / 74

**REQUIRED COMPONENTS - ORDERED SEPARATELY**

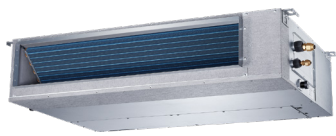
Cassette Panel		<b>22V17</b>	<b>22V17</b>	<b>22V17</b>
Net/Shipping weights - lbs.		14 / 20	14 / 20	14 / 20

**SPECIFICATIONS**
**CEILING/FLOOR MOUNT INDOOR UNITS**


<b>Model No.</b>		<b>MCFB018S4</b>	<b>MCFA024S4</b>	<b>MCFA036S4</b>	<b>MCFA048S4</b>
Nominal Tons		1.5	2	3	4
Power Supply - 60 hz - 1 phase		208/230V	208/230V	208/230V	208/230V
Rated load amps		1.65	2.2	1.5	1.8
Output (W)		90	90	115	(2) 90
Room Temperature Range (°F)	Cooling	60 - 90	60 - 90	60 - 90	60 - 90
	Heating	32 - 86	32 - 86	32 - 86	32 - 86
Air Volume - cfm (High/Medium/Low)		580/520/465	760/710/600	1035/915/640	1350/1120/1000
Sound Data (dBA) - Low/Medium/High		39/43/46	42/47/51	41/48/52	45/50/55
Piping Connections - Liquid/Gas - o.d. - flare - in.		1/4 / 1/2	3/8 / 5/8	3/8 / 5/8	3/8 / 5/8
Drain connection o.d. - in.		1	1	1	1
Net/Shipping weights - lbs.		58 / 69	61 / 73	69 / 82	88 / 103

**SPECIFICATIONS**
**FLOOR MOUNT CONSOLE INDOOR UNITS**


<b>Model No.</b>		<b>MFMA012S4</b>
Nominal Tons		1
Power Supply - 60 hz - 1 phase		208/230V
Rated load amps		1.07
Output (W)		20
Room Temperature Range (°F)	Cooling	60 - 90
	Heating	32 - 86
Air Volume - cfm (High/Medium/Low)		365/318/248
Sound Data (dBA) - Low/Medium/High		33/39/43
Piping Connections - Liquid/Gas - o.d. - flare - in.		1/4 / 1/2
Drain connection o.d. - in.		5/8
Net/Shipping weights - lbs.		33 / 42

**SPECIFICATIONS**
**MEDIUM STATIC DUCTED INDOOR UNITS**


<b>Model No.</b>		<b>MMDB009S4</b>	<b>MMDB012S4</b>	<b>MMDB018S4</b>
Nominal Tons		0.75	1	1.5
Power Supply - 60 hz - 1 phase		208/230V	208/230V	208/230V
Rated load amps		1.27	1.37	1.3
Output (W)		55	55	160
Room Temperature Range (°F)	Cooling	60 - 90	60 - 90	60 - 90
	Heating	32 - 86	32 - 86	32 - 86
Air Volume - cfm (High/Medium/Low)		353 / 282 / 176	353 / 282 / 176	529 / 450 / 371
External Static Pressure (in. w.g)		0 - 0.16	0 - 0.16	0 - 0.40
Sound Data (dBA) - Low/Medium/High		27 / 28.5 / 33.5	31 / 34.5 / 38	35 / 37.5 / 40
Piping Connections - Liquid/Gas - o.d. - flare - in.		1/4 / 3/8	1/4 / 1/2	1/4 / 1/2
Drain connection o.d. - in.		1	1	1
Net/Shipping weights - lbs.		38 / 49	38 / 49	54 / 66

**SPECIFICATIONS**

<b>Model No.</b>		<b>MMDB024S4</b>	<b>MMDB036S4</b>	<b>MMDB048S4</b>
Nominal Tons		2	3	4
Power Supply - 60 hz - 1 phase		208/230V	208/230V	208/230V
Rated load amps		1.7	2.45	2.50
Output (W)		160	300	560
Room Temperature Range (°F)	Cooling	60 - 90	60 - 90	60 - 90
	Heating	32 - 86	32 - 86	32 - 86
Air Volume - cfm (High/Medium/Low)		775 / 693 / 435	1082 / 912 / 703	1228 / 1031 / 715
External Static Pressure (in. w.g)		0 - 0.64	0 - 0.64	0 - 0.64
Sound Data (dBA) - Low/Medium/High		37 / 41 / 44	40.5 / 43.5 / 48	49 / 50 / 52
Piping Connections - Liquid/Gas - o.d. - flare - in.		3/8 / 5/8	3/8 / 5/8	3/8 / 5/8
Drain connection o.d. - in.		1	1	1
Net/Shipping weights - lbs.		87 / 103	106 / 122	120 / 142

**OPTIONAL ACCESSORIES - ORDER SEPARATELY**

Description	Catalog No.	Size						
		009	012	018	024	030	036	048
<b>OUTDOOR UNIT</b>								
Condenser Pad (18 x 38 x 3)	Y5014	•	•	•	•	•	•	•
Disconnects	30 amp, fused, 1 ph	27P37	•	•	•	•	•	•
	60 amp, non-fused, 1 ph	27P39	•	•	•	•	•	•
Fuses	30A	83P75	•	•	•	•	•	•
	60A	83P77	•	•	•	•	•	•
Line Sets	1/4 in. x 3/8 in. x 25 ft.	90X53	•	N/A				
	1/4 in. x 3/8 in. x 50 ft.	X0258	•	N/A				
	1/4 in. x 1/2 in. x 25 ft.	90X52	N/A	•	•	N/A		
	1/4 in. x 1/2 in. x 50 ft.	X0259	N/A	•	•	N/A		
	3/8 in. x 5/8 in. x 25 ft.	X8406	N/A		•	•	•	•
	3/8 in. x 5/8 in. x 50 ft.	X8407	N/A		•	•	•	•
Wall Brackets	30 inch	X1727	•	•	•	•	N/A	
	36 inch	X1728	N/A			•	•	•
Whips	10 Gauge - 1/2 in. x 6 ft.	29P54	•	•	•	•	•	•
	8 Gauge - 3/4 in. x 6 ft.	27P44	•	•	•	•	•	•
<b>INDOOR UNIT</b>								
<sup>1</sup> Diversitech Condensate Pumps with Reservoir	ClearVue Mini™ - 7.9 US gallons per hour, 35 ft. lift - 120-240V	Y5170	•	•	•	•	•	•
	Mini-Split Pump - 4 US gallons per hour, 20 ft. lift - 115V	Y7946	N/A	•	N/A			
	Mini-Split Pump - 4 US gallons per hour, 20 ft. lift - 230V	Y7949	•	•	•	•	•	•
<sup>1</sup> Blue Diamond® Condensate Pumps with Reservoir	MicroBlue® - 1.3 US gallons per hour, 6 ft. lift - 110-230V	14T74	•	•	•	N/A		
	MaxiBlue® - 3.7 US gallons per hour, 16.5 ft. lift - 208/230V	14T69	N/A		•	•	•	N/A
	MegaBlue® - 13.2 US gallons per hour, 23 ft. lift - 208/230V	14T71	N/A					•
	MultiTank Kit	14T75	N/A		•	•	•	•
	Sensor Cable Extension - 16 ft.	14T76	•	•	•	•	•	•
A/C Easy Tee® Condensate Cleanout	Y7947	•	•	•	•	•	•	•
<b>CONTROLS</b>								
Wired Remote Controller (Furnished With All Ducted Models)	M0STAT61Q-1	14A66	•	•	•	•	•	•
Extension Cable for Wired Remote Controller - 20 ft.		Y8008	•	•	•	•	•	•
NOTE - The Wired Remote Controller above is furnished as standard with the indoor ducted models. As an option, the Wired Remote Controller can be ordered for a wall-mount, cassette, floor console or ceiling/floor mount unit if desired.								
Wired Programmable Controller	M0STAT64Q-2	22U20	•	•	•	•	•	•
Extension Cable for Wired Programmable Controller - 20 ft.	M0CTRL64Q-1	Y8738	•	•	•	•	•	•
Indoor/Outdoor Wiring Cable - 14 Gauge, 4 conductor wire, THHN, 250 ft.		Y2067	•	•	•	•	•	•
<b>SPEEDICHANNEL™ SYSTEM</b>								
SpeediChannel™ Starter Kit - 4 in.		Y3387	•	•	•	•	•	•
SpeediChannel - 4 in. x 6-1/2 ft. (qty. 6)		Y3388	•	•	•	•	•	•
Union Coupling - 4 in.		Y3389	•	•	•	•	•	•
90° Flat Bend Elbow - 4 in.		Y3390	•	•	•	•	•	•
90° Inside Elbow - 4 in.		Y3391	•	•	•	•	•	•
45° Flat Bend Elbow - 4 in.		Y3392	•	•	•	•	•	•
Flex Joint - 4 in.		Y3393	•	•	•	•	•	•
T-Joint - 4 in.		Y3394	•	•	•	•	•	•
Duct End - 4 in.		Y3395	•	•	•	•	•	•
Flat Wall Escutcheon - 4 in.		Y3396	•	•	•	•	•	•
Wall Penetration Cover - 4 in.		Y3399	•	•	•	•	•	•
Mount Block (White) Qty, 2 - 14 in.		Y3397	•	•	•	•	•	•
Mount Block (White) Qty, 2 - 36 in.		Y3398	•	•	•	•	•	•

<sup>1</sup> Y7946, Y7949 and 14T74 condensate pumps can be installed inside the indoor units. All other pumps must be installed external to the indoor unit.

## AHRI SYSTEM MATCHES

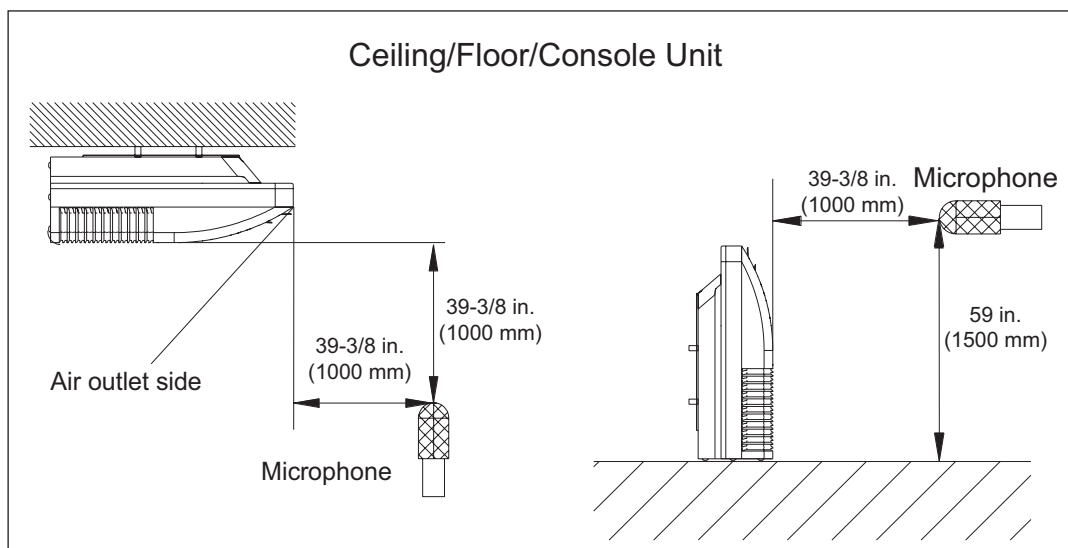
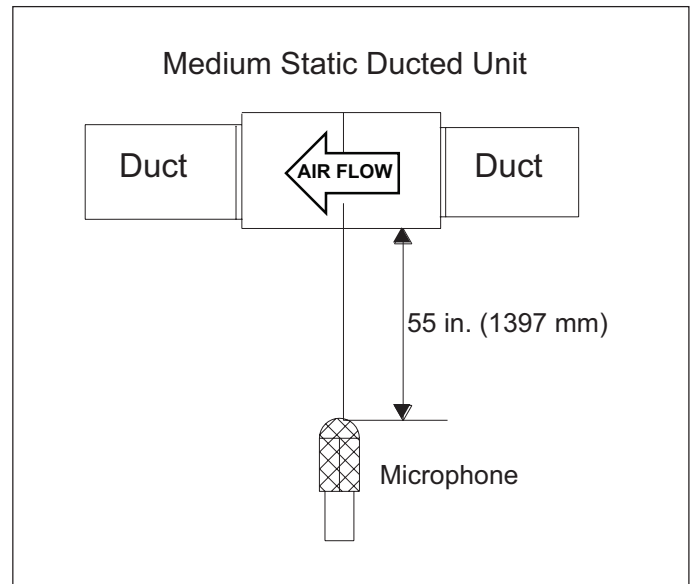
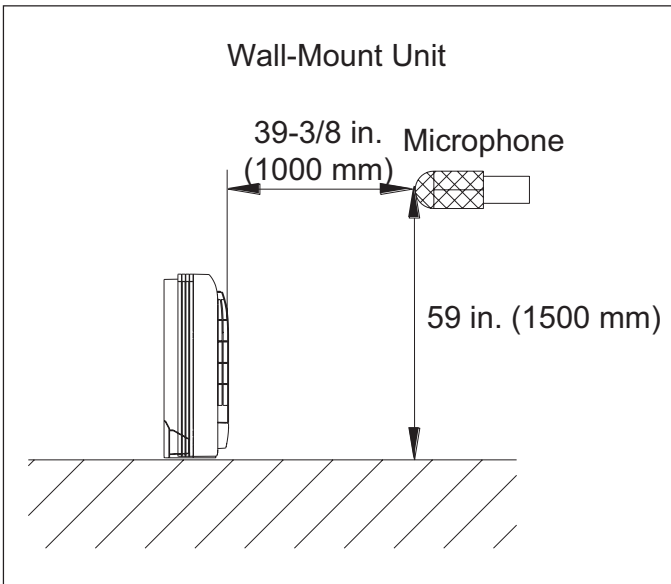
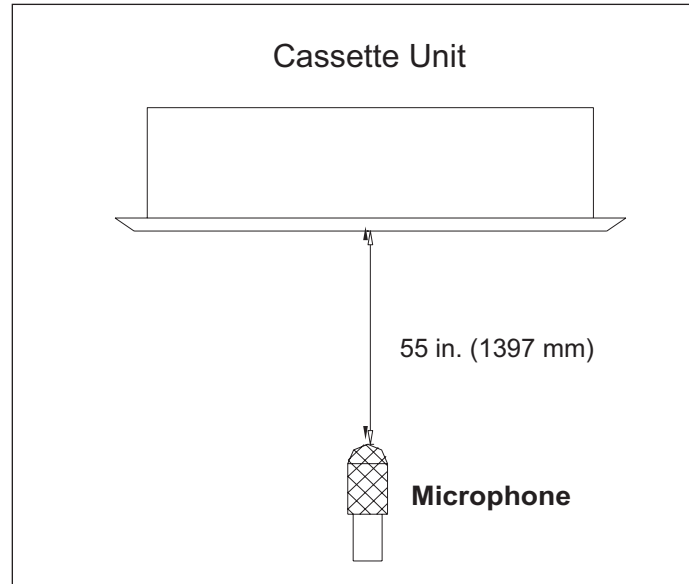
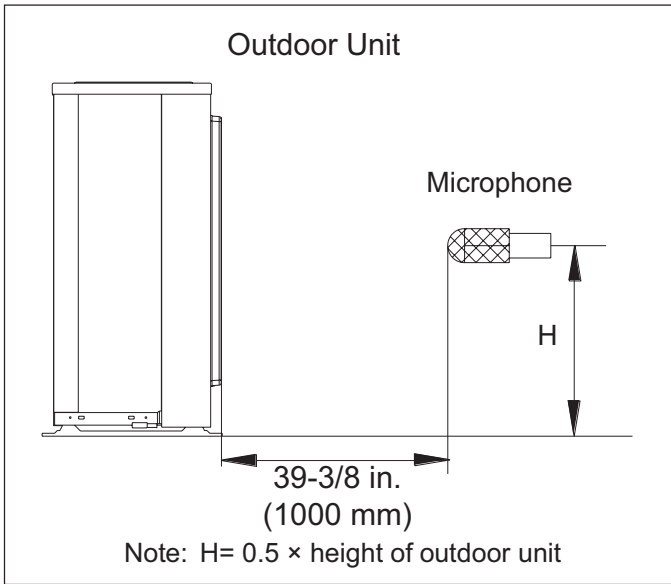
Indoor Unit Type	Outdoor Unit	Indoor Unit	Cooling Capacity	SEER	EER	Heat Capacity		HSPF (IV)	AHRI Reference	Energy Star?
						High	Low			
Wall-Mounted Non-Ducted	MPC009S4S-1P	MWMC009S4-1P	9,000	25.5	15.0	10,000	6,100	12.2	207683497	Yes
	MPC012S4S-1L	MWMC012S4-1L	12,000	23.0	13.0	12,100	7,400	11.6	207683496	Yes
	MPC012S4S-1P	MWMC012S4-1P	12,000	23.2	13.7	12,000	8,000	13.2	207683498	Yes
	MPC018S4S-1P	MWMC018S4-1P	18,000	22.6	12.5	19,000	12,700	12.0	207683499	Yes
	MPC024S4S-1P	MWMC024S4-1P	24,000	22.0	14.0	25,000	14,200	12.0	207683500	Yes
	MPC030S4S-1P	MWMC030S4-1P	29,800	20.0	11.5	30,000	19,000	9.6	207683501	No
Cassette Non-Ducted	MPC009S4S-1P	M22A009S4-2P	9,000	20.0	13.0	10,000	6,100	10.5	207683514	Yes
	MPC012S4S-1P	M22A012S4-2P	12,000	22.0	14.0	12,000	7,800	10.6	207683515	Yes
	MPC018S4S-1P	M22A018S4-2P	16,000	20.5	12.5	18,500	12,000	11.0	207683516	Yes
	MPC024S4S-1P	M33C024S4-1P	24,000	20.7	12.5	25,000	15,600	10.0	207683517	Yes
	MPC036S4S-1P	M33C036S4-1P	36,000	18.2	9.0	38,000	23,000	10.6	207683518	No
	MPC048S4S-1P	M33C048S4-1P	48,000	17.8	9.5	50,000	28,000	11.0	207683519	No
Ceiling/Floor Mount Non-Ducted	MPC018S4S-1P	MCFB018S4-2P	18,000	21.5	12.5	12,300	20,000	10.5	207683510	Yes
	MPC024S4S-1P	MCFA024S4-2P	24,000	20.0	12.5	24,000	12,000	11.2	207683511	Yes
	MPC036S4S-1P	MCFA036S4-2P	36,000	17.0	8.0	38,000	22,000	10.0	207683512	No
	MPC048S4S-1P	MCFA048S4-2P	48,000	18.0	9.3	50,000	29,000	11.0	207683513	No
Floor Mount Console Non-Ducted	MPC012S4S-1P	MFMA012S4-1P	12,000	21.5	13.0	6,900	12,000	10.0	207683509	Yes
Medium Static Ducted	MPC009S4S-1P	MMDB009S4-2P	9,000	21.0	13.5	10,000	6,300	11.5	207683503	Yes
	MPC012S4S-1P	MMDB012S4-2P	12,000	21.5	12.5	12,000	8,300	10.5	207683504	Yes
	MPC018S4S-1P	MMDB018S4-2P	17,800	20.5	12.5	20,000	12,000	11.0	207683505	Yes
	MPC024S4S-1P	MMDB024S4-2P	24,000	21.5	12.6	24,600	13,500	11.2	207683506	Yes
	MPC036S4S-1P	MMDB036S4-2P	36,000	16.7	9.0	40,000	27,000	11.5	207683507	No
	MPC048S4S-1P	MMDB048S4-2P	48,000	17.4	9.2	50,000	29,000	10.3	207683508	No

Ratings are AHRI certified to AHRI Standard 210/240;

- Cooling Ratings - 95°F wet bulb/75°F dry bulb outdoor air temperature and 80°F dry bulb/67°F wet bulb entering indoor coil air.
- High Temperature Heating Ratings - 47°F dry bulb/43°F wet bulb outdoor air temperature and 70°F dry bulb/60°F wet bulb entering indoor coil air.
- Low Temperature Heating Ratings - 17°F dry bulb/15°F wet bulb outdoor air temperature and 70°F dry bulb/60°F wet bulb entering indoor coil air.

To convert HSPF from Region IV to Region V - Divide by 1.15.

**SOUND LEVELS - TEST CONDITIONS**





**COOLING CAPACITY**

**009 (208/230V)**

Outdoor Temperature - °F (Dry Bulb)	Indoor Temperature - °F (Dry Bulb / Wet Bulb)							
	65°F / 54°F		70°F / 59°F		75°F / 63°F		80°F / 67°F	
	Total mBtuh	Sensible mBtuh	Total mBtuh	Sensible mBtuh	Total mBtuh	Sensible mBtuh	Total mBtuh	Sensible mBtuh
-13	9.85	6.51	10.46	6.87	11.00	7.19	11.67	7.59
-4	10.76	7.02	11.39	7.38	12.00	7.73	12.55	8.05
0	11.06	7.56	11.74	7.98	12.29	8.30	12.87	8.65
5	11.29	7.70	11.90	8.07	12.42	8.38	13.21	8.87
17	11.56	8.08	12.13	8.44	12.75	8.81	13.32	9.15
25	11.32	8.20	11.97	8.63	12.74	9.13	13.31	9.49
35	11.35	8.12	11.90	8.45	12.56	8.87	13.30	9.33
47	11.34	8.57	11.84	8.90	12.45	9.30	13.16	9.77
55	11.16	8.28	11.78	8.69	12.34	9.06	13.12	9.58
65	11.19	8.64	11.79	9.05	12.51	9.55	13.09	9.95
75	11.31	8.64	11.89	9.04	12.50	9.46	13.06	9.82
85	10.77	8.71	11.35	9.13	11.86	9.48	12.61	10.04
95	10.37	8.49	10.84	8.84	11.50	9.31	12.22	9.85
105	10.05	8.29	10.57	8.67	11.10	9.06	11.73	9.53
115	9.12	8.51	9.65	8.95	10.23	9.44	10.66	9.78
122	8.56	8.54	9.06	9.00	9.54	9.45	9.99	9.85

**HEATING CAPACITY**

**009 (208/230V)**

Outdoor Temperature - °F (Dry Bulb)	Indoor Temperature - °F (Dry Bulb)			
	60°F	65°F	70°F	75°F
	Total mBtuh	Total mBtuh	Total mBtuh	Total mBtuh
-13	5.78	5.60	5.45	5.25
-4	7.77	7.53	7.33	7.06
0	8.38	8.15	7.92	7.58
5	9.13	8.84	8.62	8.32
10	10.16	9.82	9.55	9.20
17	11.09	10.76	10.50	10.13
20	11.36	11.06	10.77	10.35
25	11.61	11.31	11.04	10.57
32	12.01	11.69	11.31	10.83
35	12.25	11.94	11.56	11.14
40	12.68	12.25	11.89	11.37
47	13.03	12.69	12.29	11.78
50	13.40	13.00	12.67	12.10
57	13.82	13.49	13.03	12.52

**COOLING CAPACITY**

**012 (115V)**

Outdoor Temperature - °F (Dry Bulb)	Indoor Temperature - °F (Dry Bulb / Wet Bulb)							
	65°F / 54°F		70°F / 59°F		75°F / 63°F		80°F / 67°F	
	Total mBtuh	Sensible mBtuh	Total mBtuh	Sensible mBtuh	Total mBtuh	Sensible mBtuh	Total mBtuh	Sensible mBtuh
-13	10.59	6.80	11.24	7.19	11.73	7.46	12.26	7.75
-4	10.52	7.17	11.19	7.58	11.88	8.00	12.64	8.47
0	10.82	7.23	11.39	7.56	12.05	7.95	12.77	8.38
5	11.30	7.92	11.85	8.25	12.37	8.56	12.90	8.87
17	11.23	8.14	11.84	8.54	12.36	8.87	13.03	9.30
25	11.01	7.77	11.72	8.22	12.35	8.62	13.12	9.11
35	11.28	8.18	11.81	8.52	12.53	8.98	13.23	9.43
47	11.87	8.87	12.46	9.26	13.17	9.74	13.77	10.14
55	11.37	8.56	12.07	9.05	12.73	9.50	13.53	10.04
65	11.65	8.77	12.18	9.12	12.73	9.49	13.29	9.85
75	11.16	8.83	11.86	9.34	12.48	9.77	13.04	10.16
85	11.10	8.98	11.61	9.34	12.13	9.70	12.66	10.07
95	10.56	8.70	11.24	9.20	11.80	9.62	12.50	10.13
105	10.30	8.68	10.82	9.05	11.36	9.46	12.01	9.94
115	9.52	8.99	10.00	9.38	10.42	9.72	10.86	10.06
122	8.63	8.58	9.13	9.04	9.59	9.46	10.10	9.91

**HEATING CAPACITY**

**012 (115V)**

Outdoor Temperature - °F (Dry Bulb)	Indoor Temperature - °F (Dry Bulb)			
	60°F	65°F	70°F	75°F
	Total mBtuh	Total mBtuh	Total mBtuh	Total mBtuh
-13	5.66	5.51	5.36	5.15
-4	6.11	5.96	5.79	5.59
0	6.84	6.67	6.50	6.24
5	7.52	7.29	7.09	6.85
10	8.57	8.35	8.12	7.82
17	9.89	9.56	9.25	8.88
20	10.62	10.33	10.00	9.65
25	11.37	11.04	10.72	10.28
32	12.17	11.82	11.48	10.97
35	13.00	12.65	12.24	11.80
40	13.68	13.28	12.87	12.39
47	14.43	14.00	13.63	13.11
50	14.60	14.19	13.81	13.19
57	14.85	14.46	14.01	13.38

**COOLING CAPACITY**

**012 (208/230V)**

Outdoor Temperature - °F (Dry Bulb)	Indoor Temperature - °F (Dry Bulb / Wet Bulb)							
	65°F / 54°F		70°F / 59°F		75°F / 63°F		80°F / 67°F	
	Total mBtuh	Sensible mBtuh	Total mBtuh	Sensible mBtuh	Total mBtuh	Sensible mBtuh	Total mBtuh	Sensible mBtuh
-13	10.40	6.45	11.03	6.80	11.62	7.13	12.27	7.48
-4	11.11	7.32	11.61	7.60	12.30	8.02	13.05	8.47
0	11.56	7.62	12.11	7.92	12.77	8.32	13.30	8.62
5	11.64	7.92	12.34	8.35	13.04	8.78	13.60	9.10
17	11.43	7.97	12.13	8.40	12.89	8.89	13.52	9.28
25	11.73	8.38	12.40	8.82	12.93	9.15	13.47	9.48
35	11.60	8.62	12.25	9.06	12.88	9.47	13.41	9.82
47	11.55	8.76	12.07	9.11	12.79	9.60	13.41	10.01
55	11.40	8.67	12.05	9.11	12.68	9.55	13.40	10.04
65	11.66	9.26	12.20	9.62	12.79	10.04	13.40	10.46
75	11.39	8.83	12.01	9.26	12.67	9.72	13.40	10.23
85	11.33	9.13	11.96	9.58	12.63	10.07	13.39	10.62
95	11.48	9.18	12.11	9.64	12.75	10.08	13.39	10.54
105	11.05	9.45	11.65	9.90	12.20	10.30	12.81	10.77
115	10.24	9.71	10.69	10.07	11.18	10.47	11.72	10.92
122	9.29	9.30	9.72	9.69	10.23	10.16	10.80	10.67

**HEATING CAPACITY**

**012 (208/230V)**

Outdoor Temperature - °F (Dry Bulb)	Indoor Temperature - °F (Dry Bulb)			
	60°F	65°F	70°F	75°F
	Total mBtuh	Total mBtuh	Total mBtuh	Total mBtuh
-13	6.13	5.95	5.80	5.58
-4	7.95	7.76	7.50	7.17
0	8.73	8.45	8.24	7.90
5	9.40	9.16	8.87	8.47
10	10.45	10.16	9.82	9.38
17	11.36	10.97	10.61	10.21
20	11.68	11.30	11.01	10.54
25	12.05	11.76	11.39	10.97
32	12.40	12.04	11.75	11.30
35	12.83	12.48	12.11	11.56
40	13.50	13.17	12.73	12.26
47	14.07	13.73	13.29	12.82
50	14.48	14.09	13.65	13.13
57	15.02	14.57	14.09	13.48

**COOLING CAPACITY**

**018 (208/230V)**

Outdoor Temperature - °F (Dry Bulb)	Indoor Temperature - °F (Dry Bulb / Wet Bulb)							
	65°F / 54°F		70°F / 59°F		75°F / 63°F		80°F / 67°F	
	Total mBtuh	Sensible mBtuh	Total mBtuh	Sensible mBtuh	Total mBtuh	Sensible mBtuh	Total mBtuh	Sensible mBtuh
-13	16.24	10.57	16.97	11.00	18.04	11.61	18.97	12.14
-4	16.01	10.88	17.01	11.50	17.89	12.02	19.01	12.72
0	16.48	11.21	17.24	11.66	18.16	12.21	19.10	12.78
5	16.36	11.12	17.24	11.65	18.22	12.25	19.20	12.83
17	16.84	11.70	17.78	12.28	18.86	12.96	19.79	13.53
25	17.21	12.48	18.12	13.07	18.89	13.56	19.84	14.17
35	16.89	12.59	17.97	13.33	18.71	13.81	19.91	14.61
47	17.53	12.88	18.26	13.35	19.18	13.95	20.12	14.55
55	17.82	13.69	18.72	14.31	19.60	14.90	20.59	15.56
65	18.27	14.10	19.27	14.78	20.14	15.34	21.02	15.91
75	18.52	14.86	19.50	15.56	20.48	16.24	21.45	16.92
85	17.53	13.63	18.65	14.41	19.63	15.10	20.64	15.79
95	16.66	13.41	17.50	14.00	18.62	14.81	19.56	15.45
105	16.07	13.70	16.86	14.29	17.64	14.87	18.72	15.69
115	14.38	13.72	15.20	14.42	15.92	15.03	16.94	15.89
122	13.05	13.00	13.77	13.65	14.58	14.41	15.43	15.17

**HEATING CAPACITY**

**018 (208/230V)**

Outdoor Temperature - °F (Dry Bulb)	Indoor Temperature - °F (Dry Bulb)			
	60°F	65°F	70°F	75°F
	Total mBtuh	Total mBtuh	Total mBtuh	Total mBtuh
-13	8.46	8.25	8.01	7.69
-4	10.03	9.69	9.39	9.04
0	11.39	11.05	10.72	10.26
5	12.91	12.55	12.18	11.71
10	14.69	14.22	13.87	13.28
17	16.97	16.40	15.93	15.26
20	18.15	17.71	17.19	16.45
25	19.61	19.00	18.50	17.80
32	21.03	20.42	19.78	19.03
35	22.27	21.60	21.01	20.15
40	22.26	21.66	21.11	20.18
47	22.44	21.81	21.19	20.24
50	23.14	22.56	21.81	20.88
57	23.72	23.05	22.46	21.52

**COOLING CAPACITY**

**024 (208/230V)**

Outdoor Temperature - °F (Dry Bulb)	Indoor Temperature - °F (Dry Bulb / Wet Bulb)							
	65°F / 54°F		70°F / 59°F		75°F / 63°F		80°F / 67°F	
	Total mBtuh	Sensible mBtuh	Total mBtuh	Sensible mBtuh	Total mBtuh	Sensible mBtuh	Total mBtuh	Sensible mBtuh
-13	23.54	14.99	24.65	15.61	26.06	16.40	27.29	17.08
-4	23.86	16.20	24.93	16.84	26.33	17.67	27.89	18.63
0	23.77	15.73	25.21	16.60	26.34	17.24	27.93	18.19
5	24.35	17.30	25.36	17.94	26.84	18.89	27.99	19.59
17	24.41	17.29	25.42	17.92	26.85	18.82	28.02	19.56
25	24.27	17.10	25.31	17.73	26.87	18.71	28.05	19.41
35	24.28	17.26	25.64	18.14	26.82	18.89	28.08	19.68
47	23.64	17.51	25.12	18.51	26.53	19.45	28.10	20.49
55	24.25	18.48	25.80	19.57	26.99	20.36	28.11	21.11
65	23.91	18.81	25.38	19.84	26.85	20.87	28.12	21.74
75	23.81	18.19	25.25	19.17	26.69	20.17	28.13	21.15
85	24.16	19.04	25.43	19.92	26.86	20.93	28.27	21.91
95	24.60	20.06	25.82	20.93	27.06	21.81	28.40	22.75
105	23.65	19.82	24.97	20.80	26.20	21.70	27.46	22.60
115	20.92	19.38	22.11	20.38	23.45	21.50	24.87	22.66
122	19.81	19.75	21.06	20.91	21.93	21.69	22.92	22.55

**HEATING CAPACITY**

**024 (208/230V)**

Outdoor Temperature - °F (Dry Bulb)	Indoor Temperature - °F (Dry Bulb)			
	60°F	65°F	70°F	75°F
	Total mBtuh	Total mBtuh	Total mBtuh	Total mBtuh
-13	12.17	11.88	11.54	11.08
-4	13.43	12.99	12.55	12.04
0	15.75	15.33	14.92	14.31
5	18.81	18.28	17.66	16.90
10	19.90	19.31	18.83	18.04
17	21.51	20.85	20.16	19.31
20	21.72	21.03	20.41	19.64
25	21.95	21.37	20.67	19.90
32	22.11	21.57	20.92	20.15
35	22.50	21.78	21.23	20.46
40	25.97	25.09	24.41	23.46
47	28.78	28.05	27.18	26.09
50	29.98	28.99	28.04	26.86
57	30.65	29.76	28.81	27.60

**COOLING CAPACITY****030 (208/230V)**

Outdoor Temperature - °F (Dry Bulb)	Indoor Temperature - °F (Dry Bulb / Wet Bulb)							
	65°F / 54°F		70°F / 59°F		75°F / 63°F		80°F / 67°F	
	Total mBtuh	Sensible mBtuh	Total mBtuh	Sensible mBtuh	Total mBtuh	Sensible mBtuh	Total mBtuh	Sensible mBtuh
-13	24.05	15.48	25.50	16.33	26.68	16.99	27.91	17.66
-4	25.18	17.11	26.57	17.96	28.02	18.83	29.37	19.62
0	26.14	17.48	27.52	18.32	28.76	19.04	30.02	19.78
5	25.88	17.65	27.18	18.43	28.82	19.43	30.60	20.53
17	26.51	18.41	27.68	19.14	29.35	20.20	31.22	21.39
25	26.72	19.11	28.33	20.16	29.76	21.06	31.53	22.20
35	27.31	19.66	28.57	20.46	30.10	21.44	31.82	22.53
47	26.24	19.12	27.91	20.22	29.66	21.37	31.22	22.36
55	27.01	20.32	28.43	21.27	29.65	22.06	31.14	23.05
65	26.63	21.10	28.33	22.31	29.70	23.26	31.07	24.20
75	27.33	21.73	28.47	22.49	29.71	23.36	30.99	24.23
85	26.23	20.91	27.76	22.01	29.28	23.10	30.79	24.14
95	26.27	21.43	27.71	22.48	29.32	23.64	30.67	24.60
105	25.53	21.74	27.05	22.88	28.38	23.87	29.65	24.79
115	23.50	22.32	24.61	23.27	25.80	24.25	27.44	25.63
122	22.23	22.15	23.21	23.02	24.51	24.23	25.85	25.46

**HEATING CAPACITY****030 (208/230V)**

Outdoor Temperature - °F (Dry Bulb)	Indoor Temperature - °F (Dry Bulb)			
	60°F	65°F	70°F	75°F
	Total mBtuh	Total mBtuh	Total mBtuh	Total mBtuh
-13	12.91	12.58	12.23	11.80
-4	14.17	13.70	13.29	12.77
0	16.22	15.77	15.39	14.70
5	18.37	17.80	17.25	16.51
10	19.06	18.47	17.97	17.16
17	19.75	19.12	18.56	17.80
20	20.98	20.47	19.79	19.10
25	22.32	21.69	21.14	20.25
32	23.73	23.02	22.37	21.54
35	25.18	24.52	23.69	22.84
40	30.67	29.77	29.02	27.98
47	37.13	35.91	34.80	33.26
50	37.93	36.65	35.75	34.22
57	38.53	37.59	36.54	35.18

**COOLING CAPACITY**

**036 (208/230V)**

Outdoor Temperature - °F (Dry Bulb)	Indoor Temperature - °F (Dry Bulb / Wet Bulb)							
	65°F / 54°F		70°F / 59°F		75°F / 63°F		80°F / 67°F	
	Total mBtuh	Sensible mBtuh	Total mBtuh	Sensible mBtuh	Total mBtuh	Sensible mBtuh	Total mBtuh	Sensible mBtuh
-13	31.05	19.68	32.82	20.69	34.73	21.76	36.37	22.66
-4	31.67	20.72	33.13	21.53	34.58	22.37	36.79	23.66
0	31.61	21.76	33.63	23.04	35.03	23.86	36.91	24.99
5	30.88	21.79	32.75	23.00	34.84	24.33	37.02	25.73
17	32.00	22.24	33.37	23.07	35.23	24.23	37.32	25.53
25	32.68	23.61	34.26	24.64	35.91	25.70	37.68	26.79
35	32.32	23.91	34.35	25.28	36.50	26.73	38.06	27.71
47	33.32	25.23	34.93	26.33	37.16	27.87	38.75	28.91
55	33.81	25.48	35.85	26.90	37.74	28.18	39.56	29.39
65	35.40	26.64	37.07	27.74	38.69	28.83	40.43	29.96
75	35.82	28.10	37.58	29.32	39.19	30.40	41.25	31.85
85	34.80	28.04	36.59	29.30	38.47	30.64	40.58	32.14
95	32.83	26.57	34.63	27.86	36.60	29.26	38.86	30.89
105	31.34	26.85	33.13	28.25	34.77	29.50	36.99	31.18
115	29.14	27.32	30.61	28.57	32.12	29.84	33.81	31.24
122	27.45	27.35	28.71	28.50	30.22	29.89	31.98	31.50

**HEATING CAPACITY**

**036 (208/230V)**

Outdoor Temperature - °F (Dry Bulb)	Indoor Temperature - °F (Dry Bulb)			
	60°F	65°F	70°F	75°F
	Total mBtuh	Total mBtuh	Total mBtuh	Total mBtuh
-13	16.09	15.63	15.24	14.67
-4	17.64	17.21	16.66	15.97
0	19.81	19.24	18.73	17.94
5	21.65	21.04	20.43	19.69
10	22.19	21.59	20.96	20.16
17	22.67	22.01	21.48	20.51
20	24.17	23.53	22.87	22.05
25	25.86	24.99	24.26	23.41
32	27.07	26.36	25.59	24.54
35	28.44	27.75	26.89	25.68
40	34.58	33.47	32.40	30.98
47	39.30	38.16	37.01	35.35
50	39.67	38.63	37.61	36.26
57	40.52	39.15	38.12	36.79

**COOLING CAPACITY****048 (208/230V)**

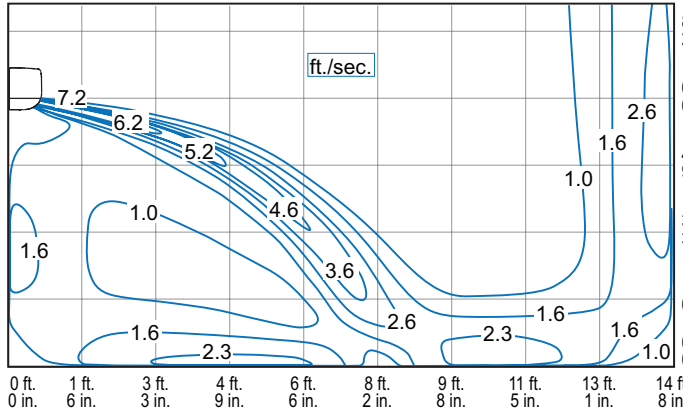
Outdoor Temperature - °F (Dry Bulb)	Indoor Temperature - °F (Dry Bulb / Wet Bulb)							
	65°F / 54°F		70°F / 59°F		75°F / 63°F		80°F / 67°F	
	Total mBtuh	Sensible mBtuh	Total mBtuh	Sensible mBtuh	Total mBtuh	Sensible mBtuh	Total mBtuh	Sensible mBtuh
-13	36.34	22.93	38.29	24.02	40.56	25.30	42.56	26.39
-4	38.93	25.90	41.11	27.20	43.18	28.40	45.94	30.04
0	41.46	28.60	43.97	30.15	45.99	31.36	48.36	32.79
5	43.21	30.20	45.82	31.84	48.64	33.64	51.04	35.07
17	46.23	33.23	49.07	35.06	51.12	36.30	53.25	37.59
25	47.16	34.36	49.80	36.09	51.87	37.38	55.07	39.48
35	48.41	35.24	50.91	36.85	53.64	38.62	56.58	40.51
47	49.29	37.40	51.77	39.03	54.96	41.21	57.61	42.98
55	49.36	37.60	52.07	39.49	54.35	40.96	57.76	43.32
65	49.44	38.62	52.10	40.49	55.43	42.87	57.92	44.54
75	49.21	38.99	52.30	41.19	54.76	42.86	58.07	45.18
85	45.84	35.51	47.75	36.79	50.43	38.61	53.02	40.40
95	42.06	33.73	43.85	34.97	45.97	36.43	48.75	38.46
105	36.70	31.09	38.59	32.52	40.88	34.29	43.49	36.27
115	27.32	25.39	28.49	26.31	30.11	27.68	31.70	29.00
122	22.63	22.65	23.87	23.78	25.32	25.12	26.43	26.11

**HEATING CAPACITY****048 (208/230V)**

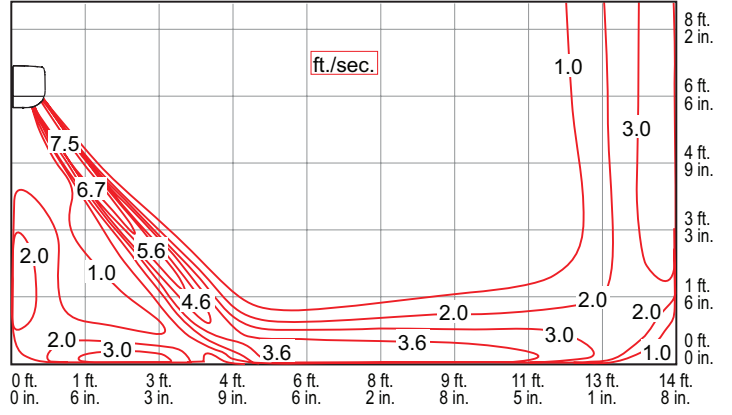
Outdoor Temperature - °F (Dry Bulb)	Indoor Temperature - °F (Dry Bulb)			
	60°F	65°F	70°F	75°F
	Total mBtuh	Total mBtuh	Total mBtuh	Total mBtuh
-13	29.04	28.31	27.35	26.28
-4	33.00	32.10	31.29	29.97
0	34.64	33.51	32.62	31.19
5	36.19	35.03	34.01	32.76
10	38.94	37.96	36.74	35.13
17	41.56	40.35	39.36	37.75
20	44.16	42.91	41.66	39.79
25	46.38	45.16	43.81	42.14
32	48.96	47.53	46.15	44.35
35	51.38	49.88	48.38	46.59
40	53.55	52.19	50.82	49.04
47	56.85	55.14	53.74	51.65
50	57.79	56.00	54.21	51.99
57	58.30	56.43	54.69	52.28



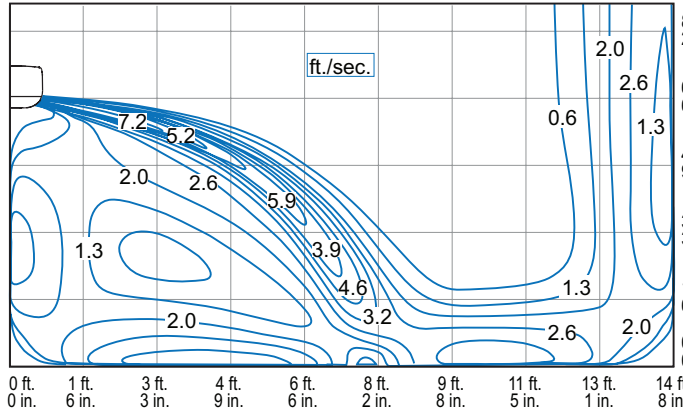
**MWMC009S4-1P - COOLING**



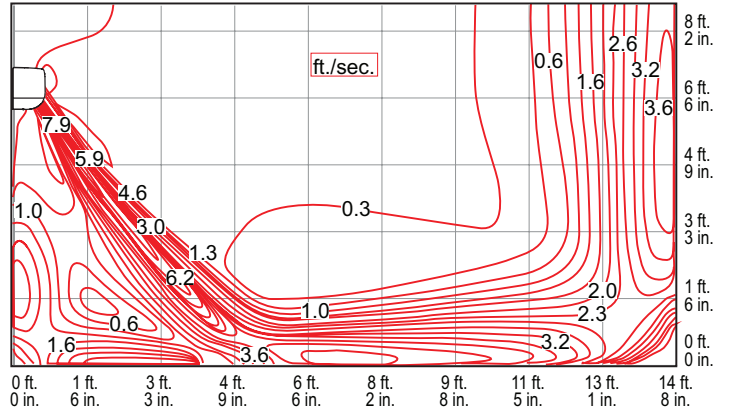
**MWMC009S4-1P - HEATING**



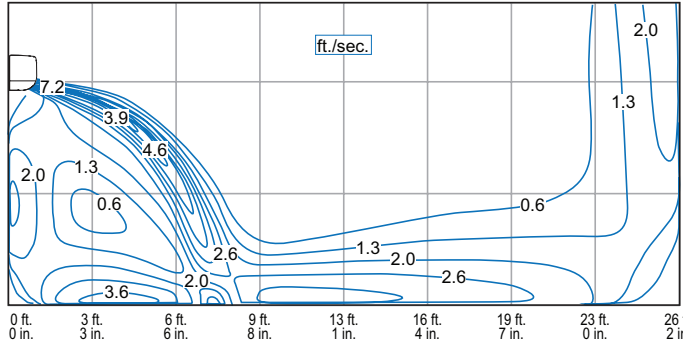
**MWMC012S4-1L, MWMC012S4-1P - COOLING**



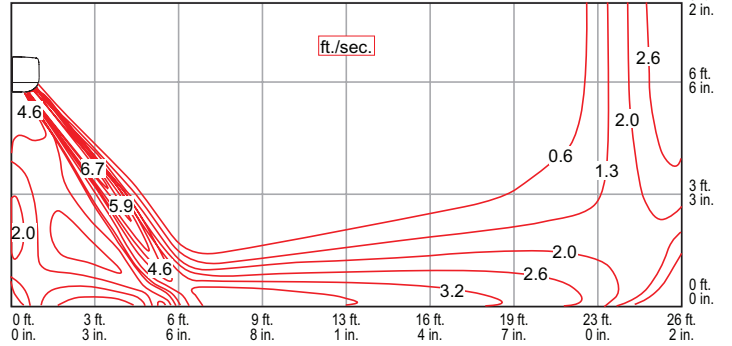
**MWMC012S4-1L, MWMC012S4-1P - HEATING**



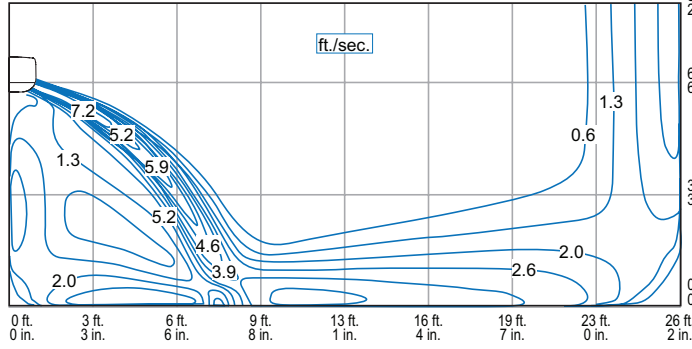
**MWMC018S4-1P - COOLING**



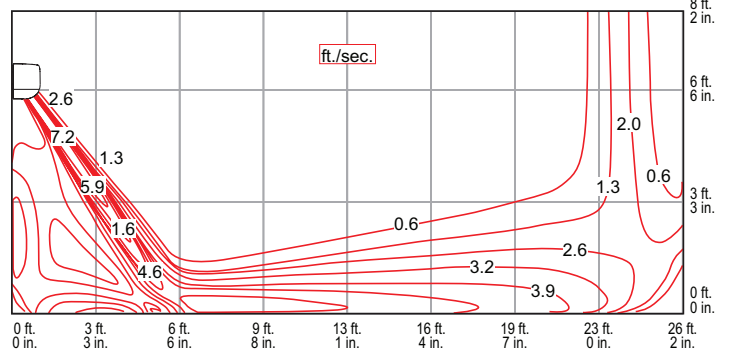
**MWMC018S4-1P - HEATING**



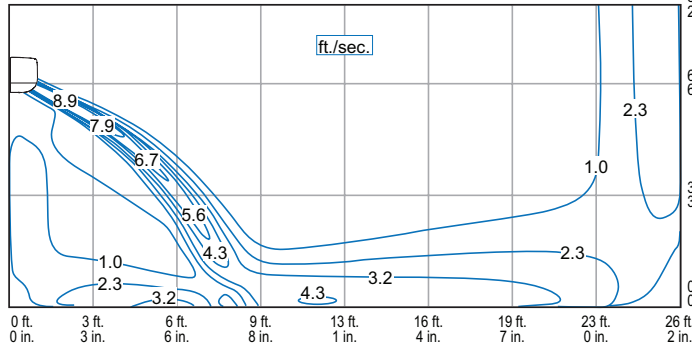
**MWMC024S4-1P - COOLING**



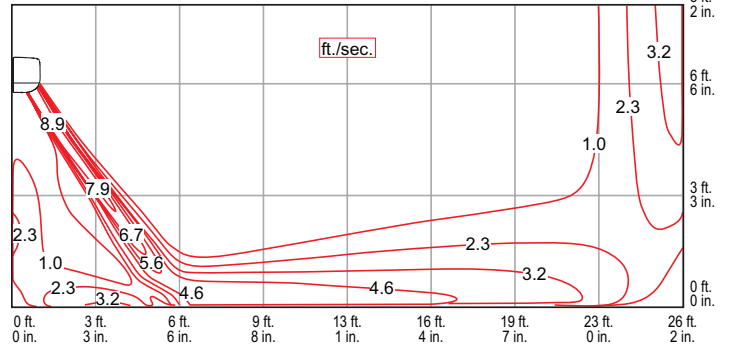
**MWMC024S4-1P - HEATING**



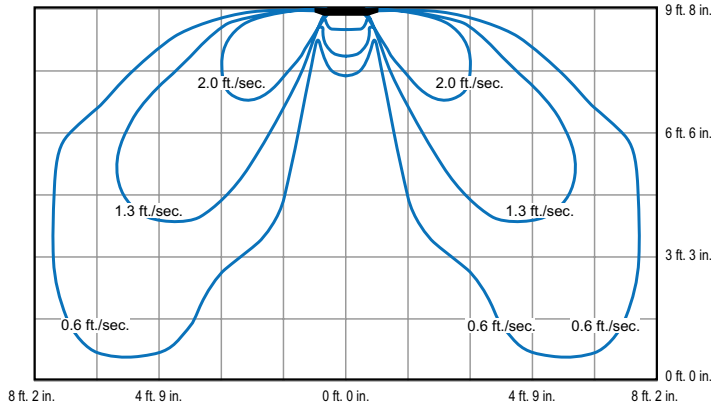
**MWMC030S4-1P - COOLING**



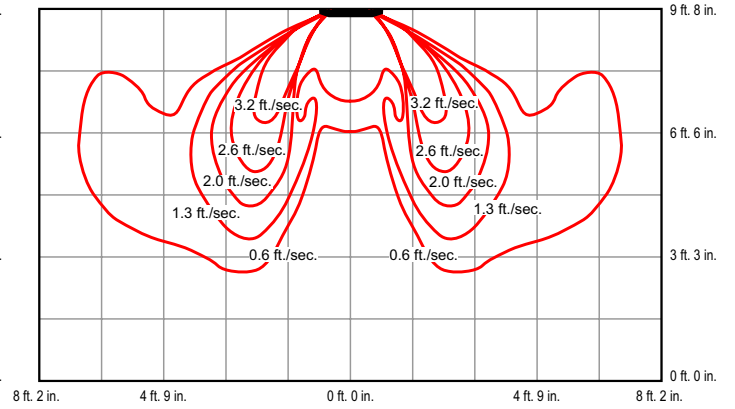
**MWMC030S4-1P - HEATING**



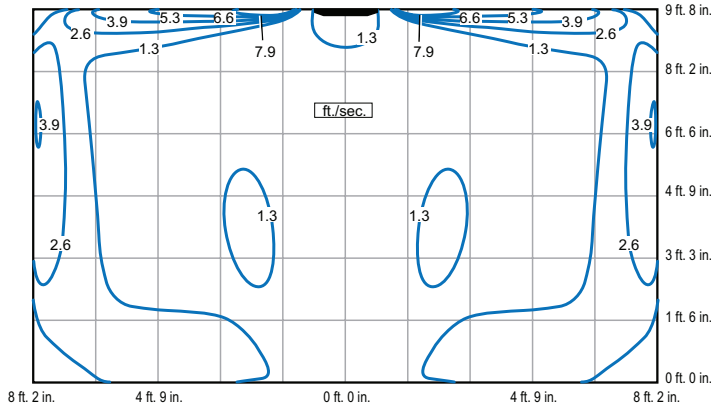
**M22A009S4 AND M22A012S4 - COOLING**



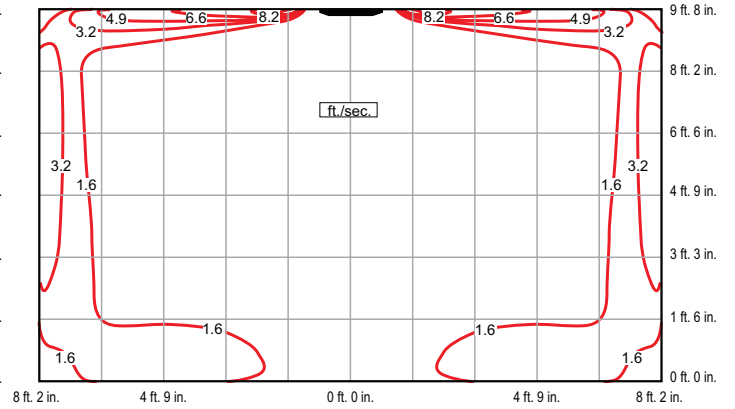
**M22A009S4 AND M22A012S4 - HEATING**



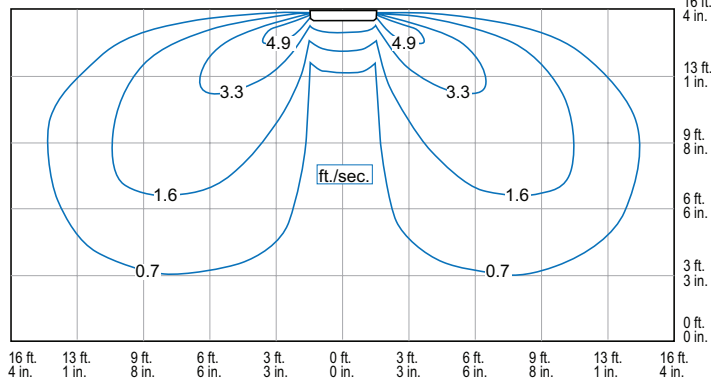
**M22A018S4 - COOLING**



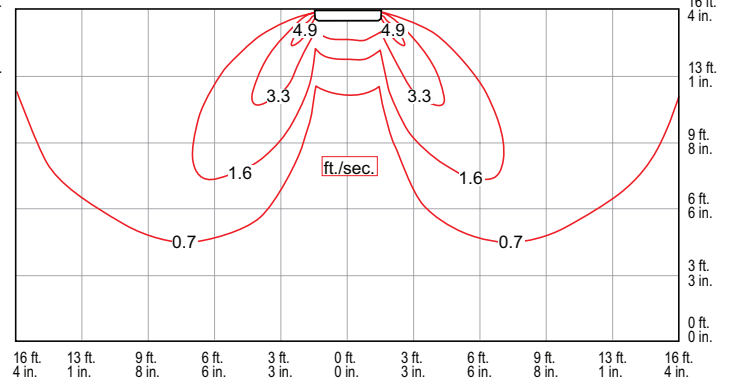
**M22A018S4 - HEATING**



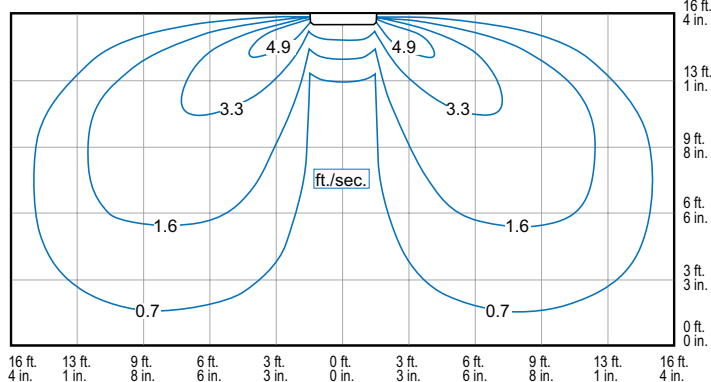
**M33C024S4 - COOLING**



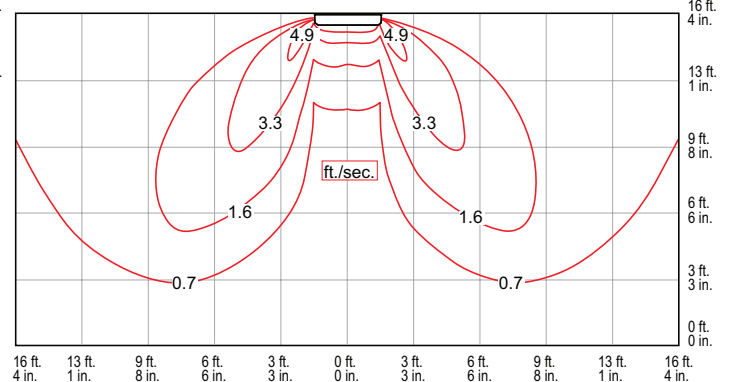
**M33C024S4 - HEATING**



**M33C036S4 - COOLING**



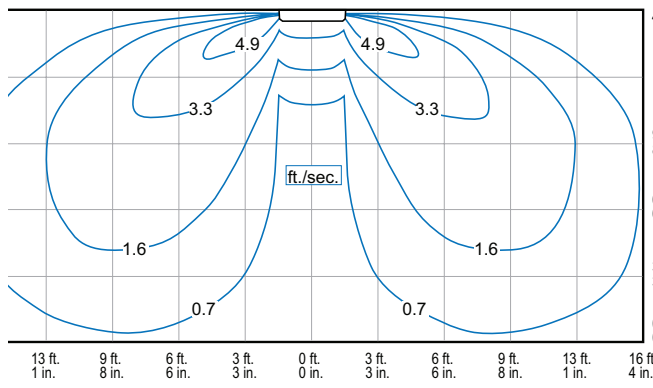
**M33C036S4 - HEATING**



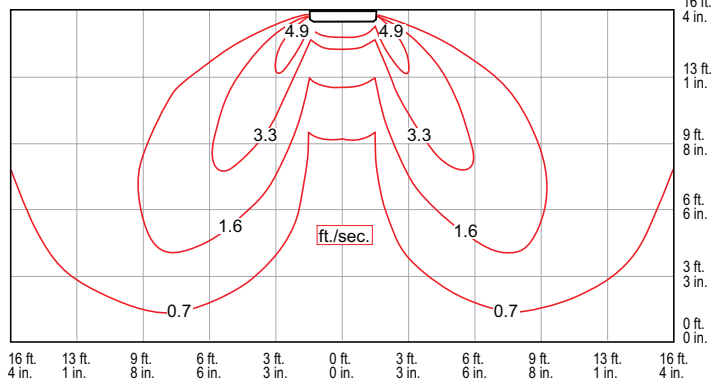
## AIR THROW DATA

## CASSETTE INDOOR UNITS

**M3C048S4 - COOLING**



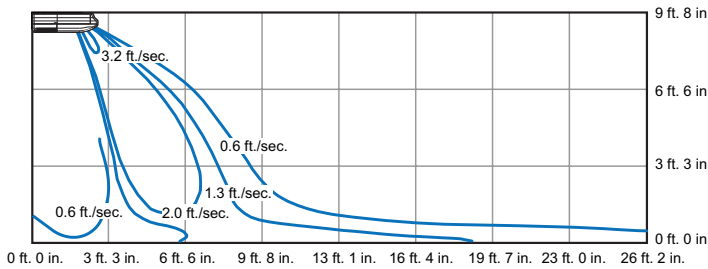
**M33C048S4 - HEATING**



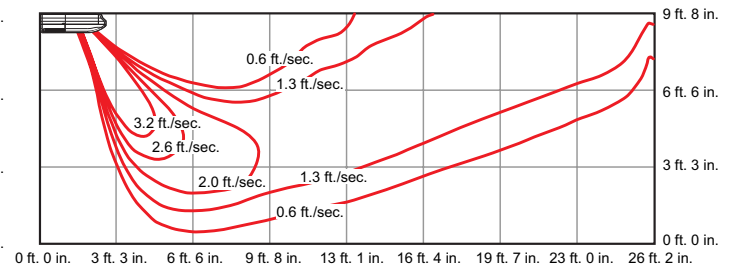
## AIR THROW DATA

## CEILING/FLOOR MOUNT INDOOR UNITS

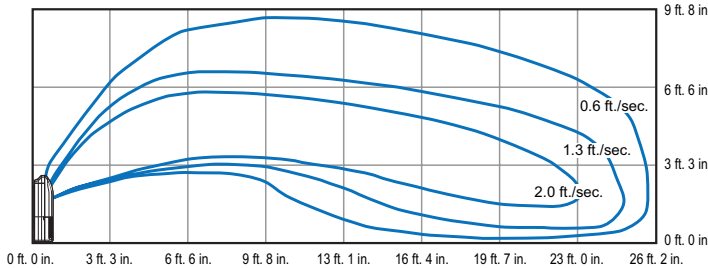
**MCFB018S4 AND MCFA024S4 - COOLING - CEILING**



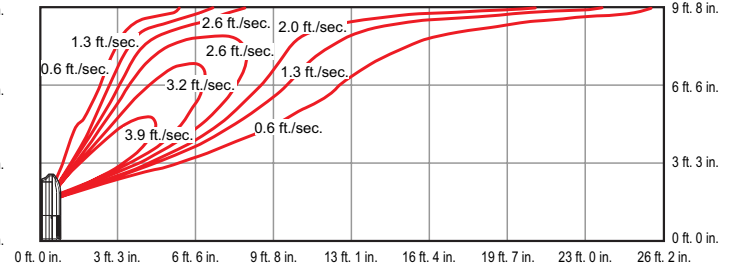
**MCFB018S4 AND MCFA024S4 - HEATING - CEILING**



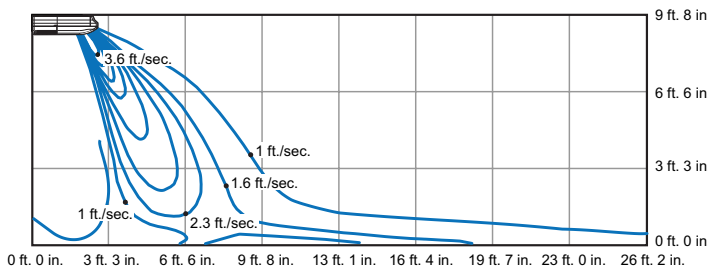
**MCFB018S4 AND MCFA024S4 - COOLING - FLOOR**



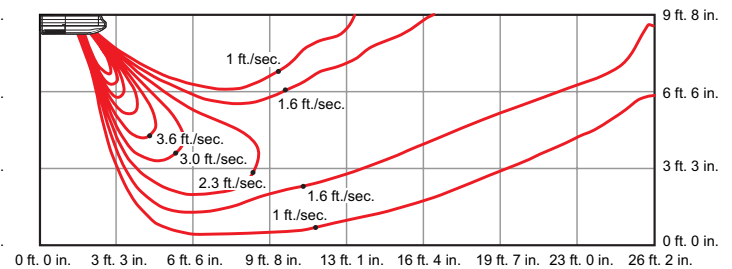
**MCFB018S4 AND MCFA024S4 - HEATING - FLOOR**



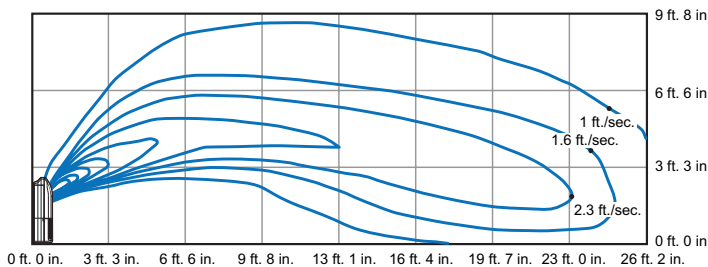
**MCFA036S4 - CEILING - COOLING**



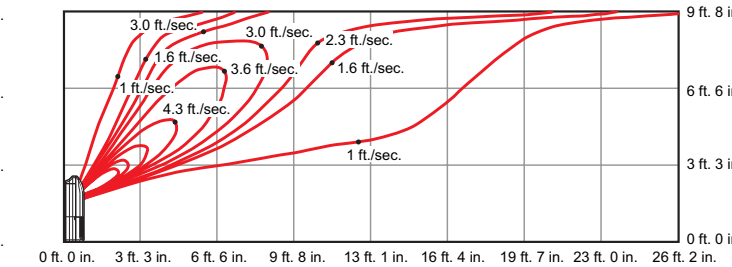
**MCFA036S4 - CEILING - HEATING**



**MCFA036S4 - FLOOR - COOLING**



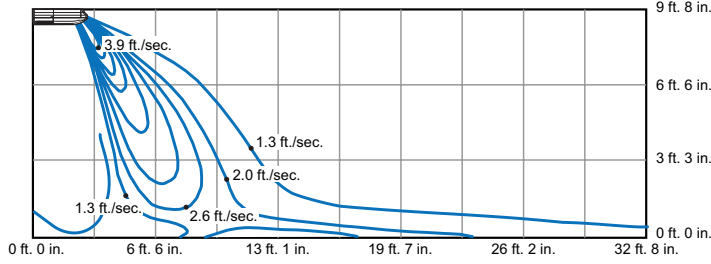
**MCFA036S4 - FLOOR - HEATING**



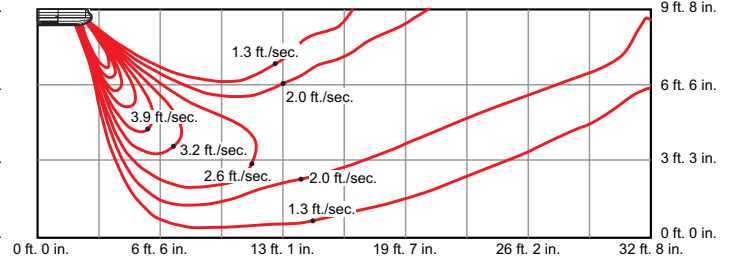
## AIR THROW DATA

## CEILING/FLOOR MOUNT INDOOR UNITS

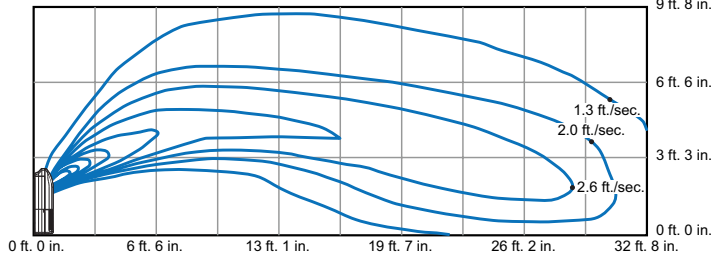
MCFA048S4 - CEILING - COOLING



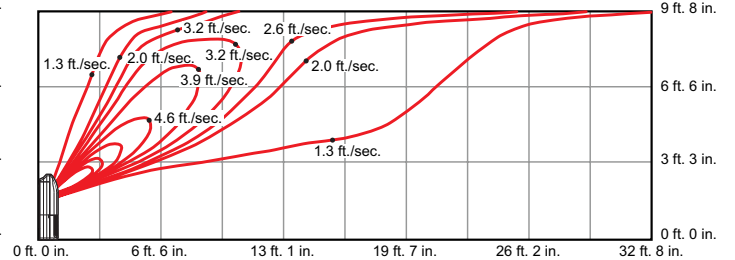
MCFA048S4 - CEILING - COOLING



MCFA048S4 - FLOOR - COOLING



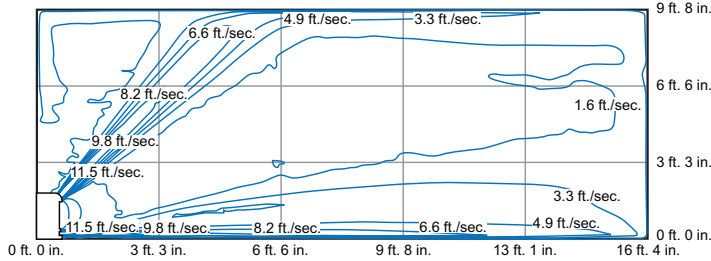
MCFA048S4 - FLOOR - HEATING



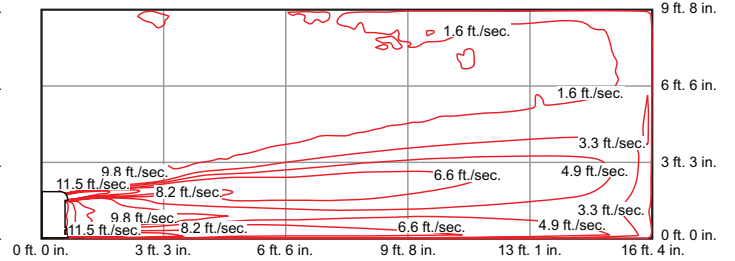
## AIR THROW DATA

## FLOOR MOUNT CONSOLE INDOOR UNITS

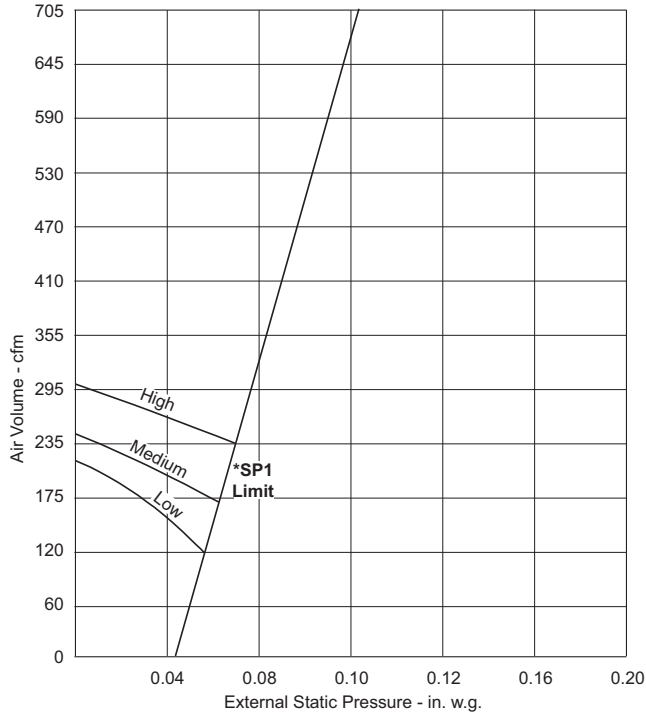
MFMA012S4 - COOLING - FLOOR



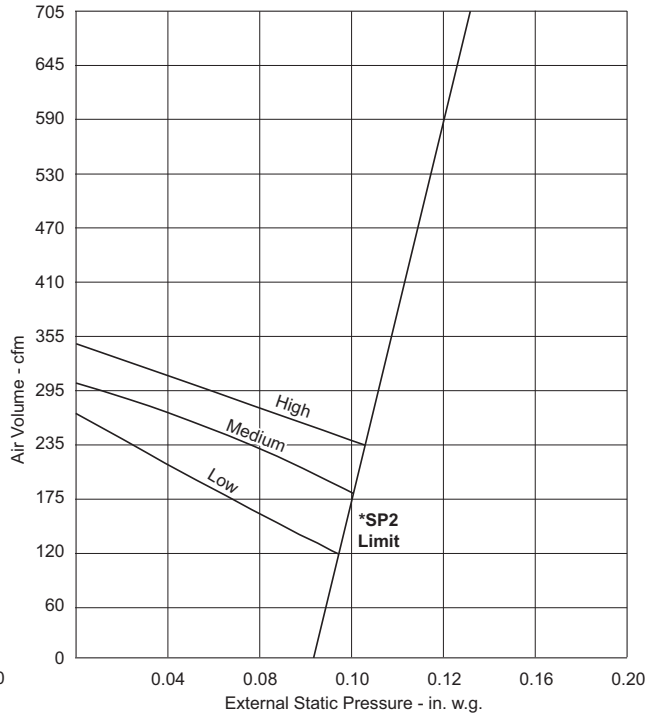
MFMA012S4 - HEATING - FLOOR



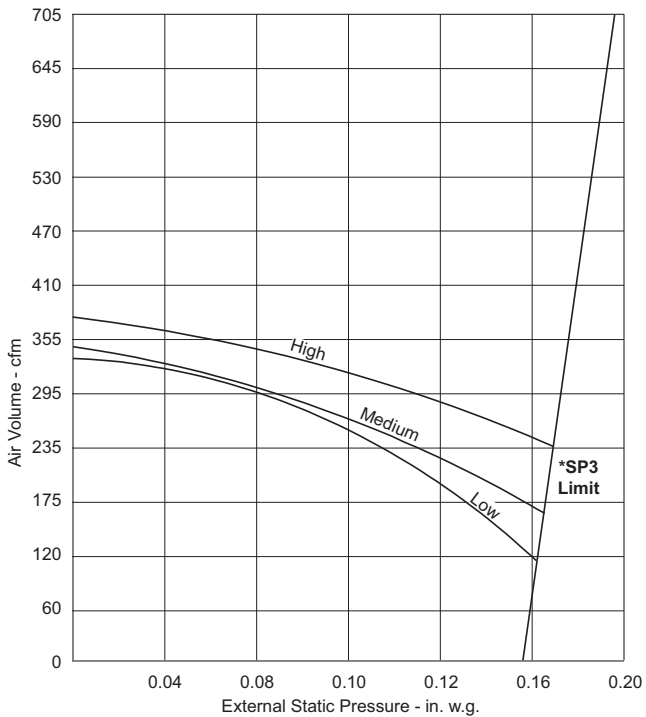
**MMDB009S4**



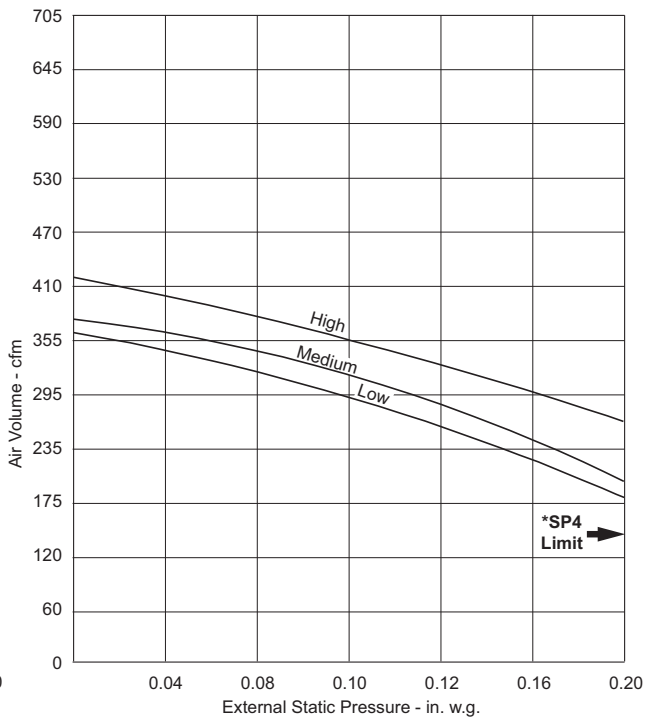
\*SP1 Limit airflow rate setting on the controller.



\*SP2 Limit airflow rate setting on the controller.

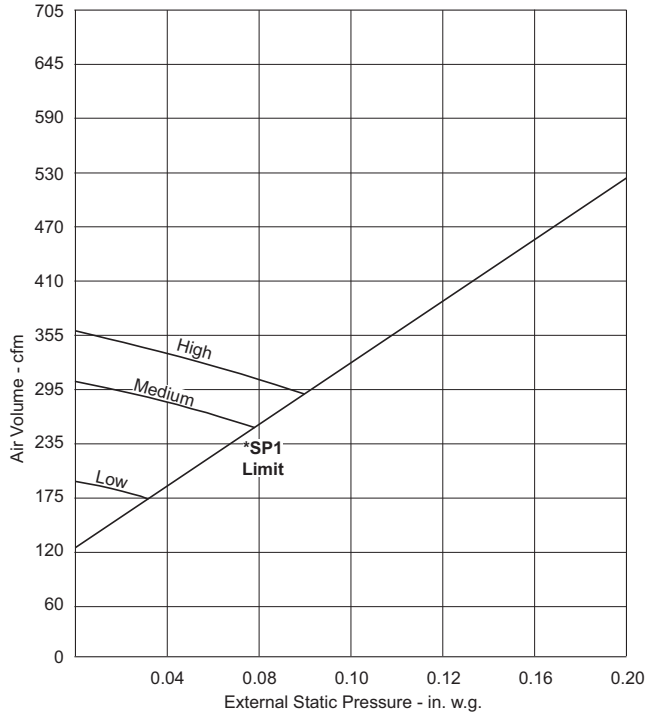


\*SP3 Limit airflow rate setting on the controller.

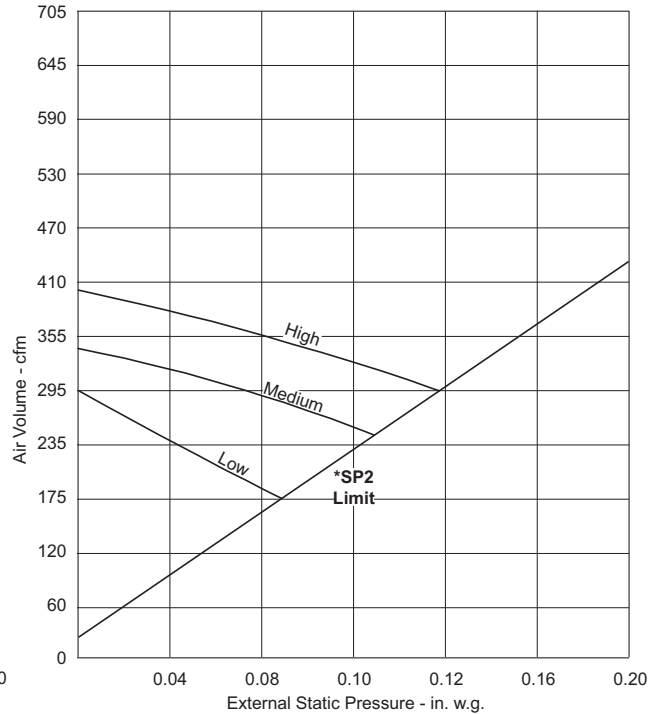


\*SP4 Limit airflow rate setting on the controller.

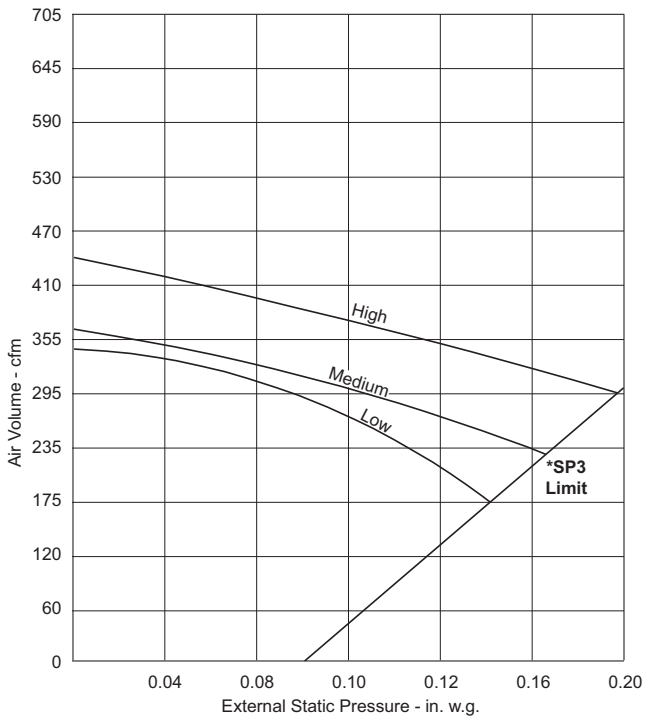
**MMDB012S4**



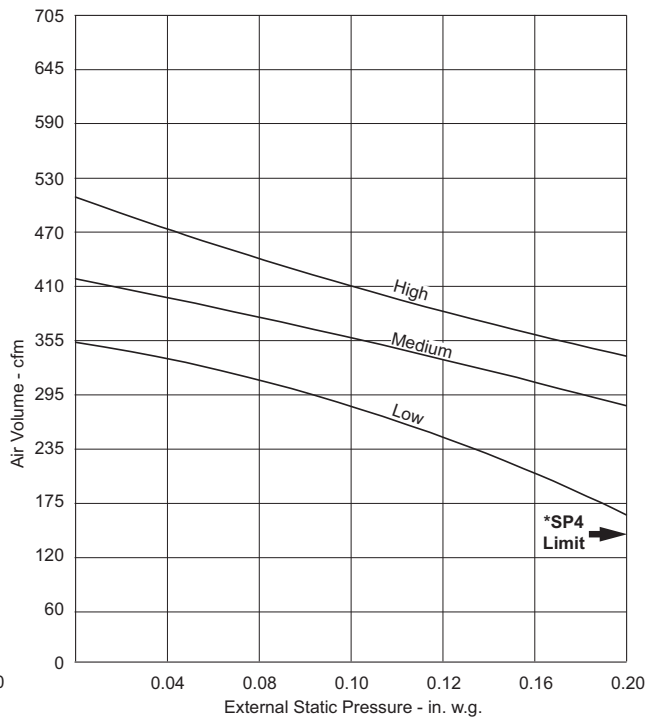
\*SP1 Limit airflow rate setting on the controller.



\*SP2 Limit airflow rate setting on the controller.

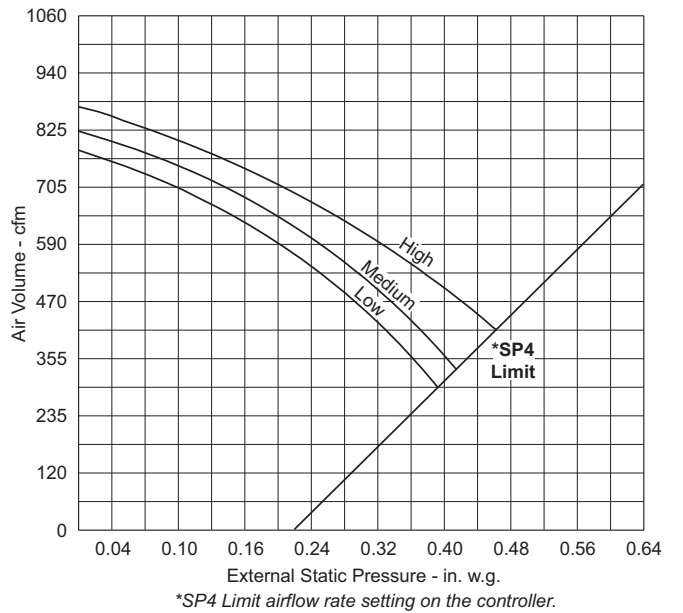
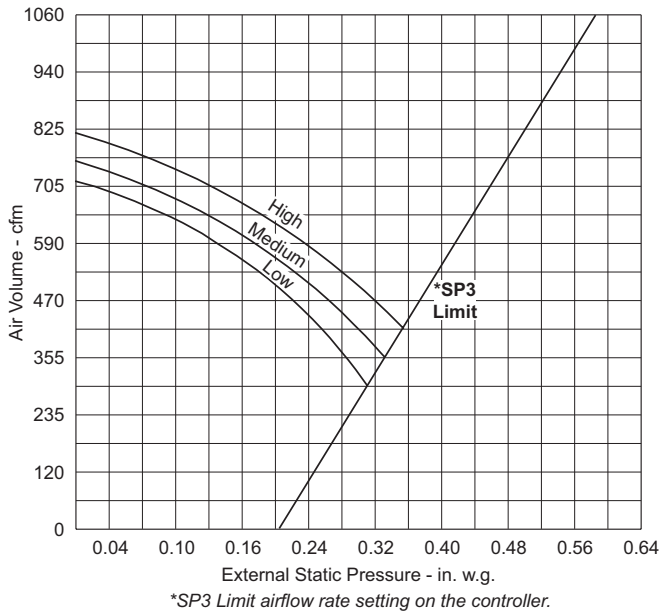
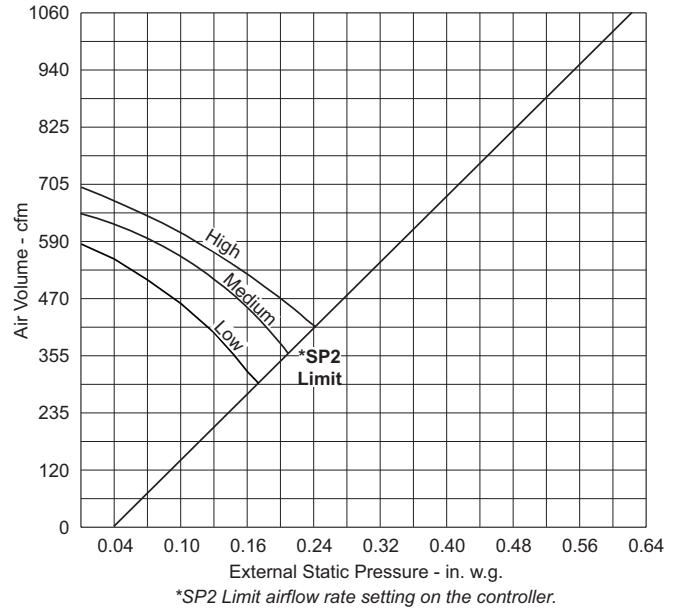
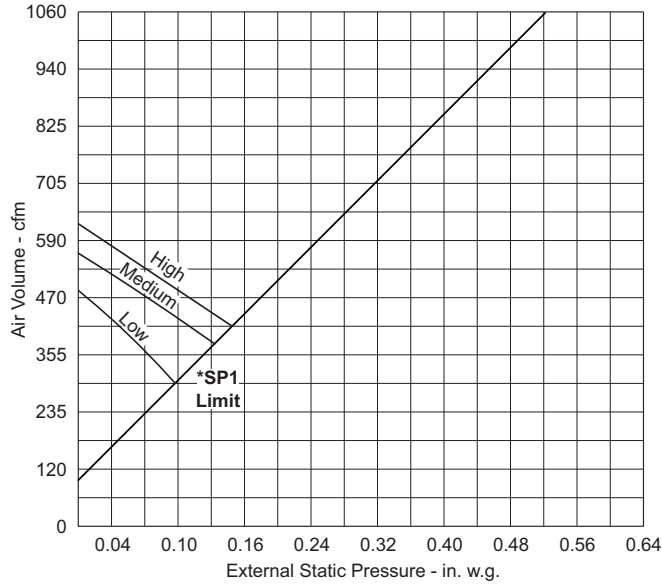


\*SP3 Limit airflow rate setting on the controller.



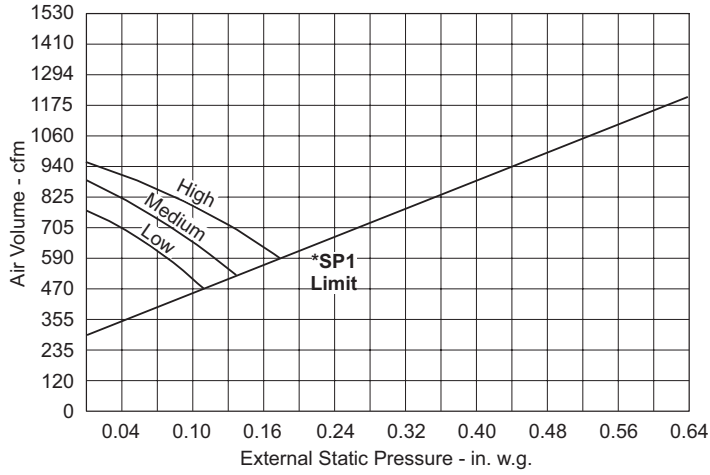
\*SP4 Limit airflow rate setting on the controller.

**MMDB018S4**

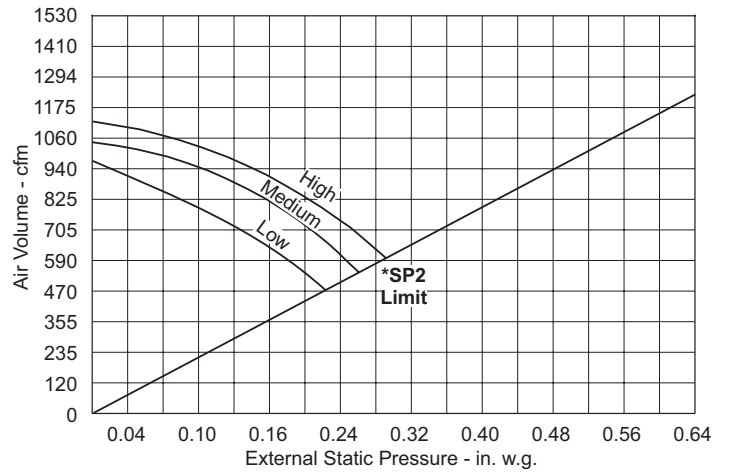




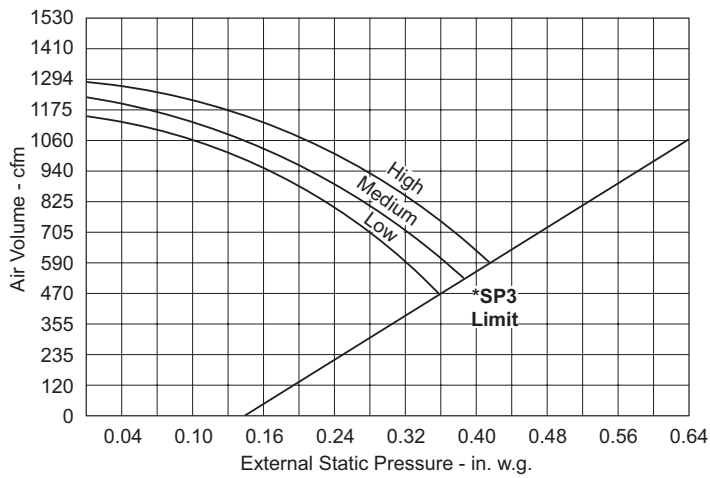
**MMDB024S4**



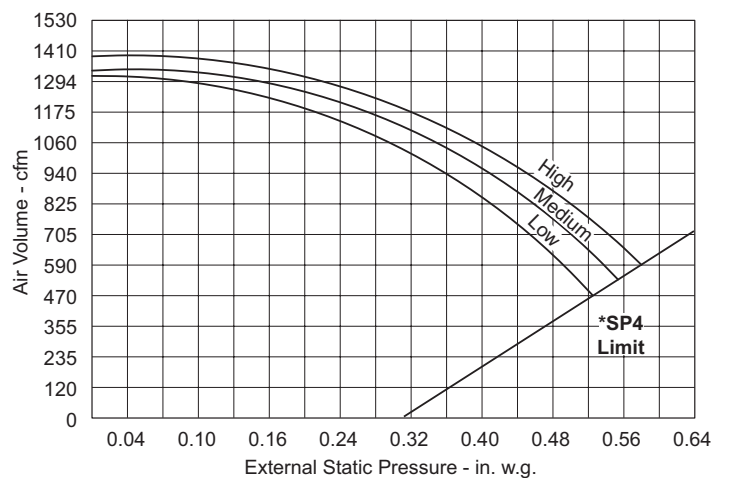
*\*SP1 Limit airflow rate setting on the controller.*



*\*SP2 Limit airflow rate setting on the controller.*

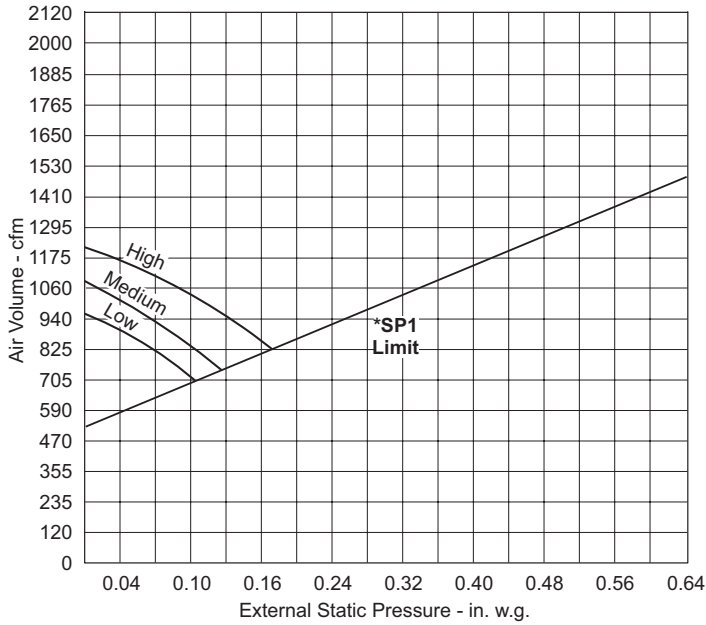


*\*SP3 Limit airflow rate setting on the controller.*

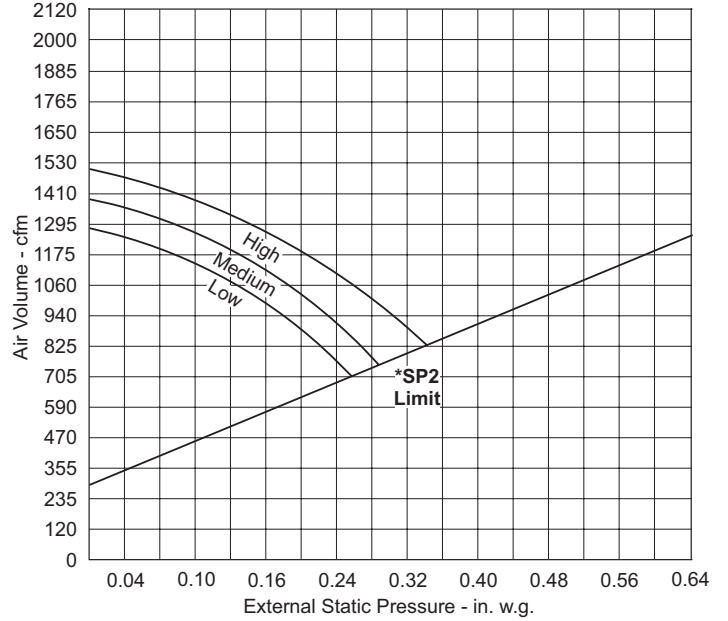


*\*SP4 Limit airflow rate setting on the controller.*

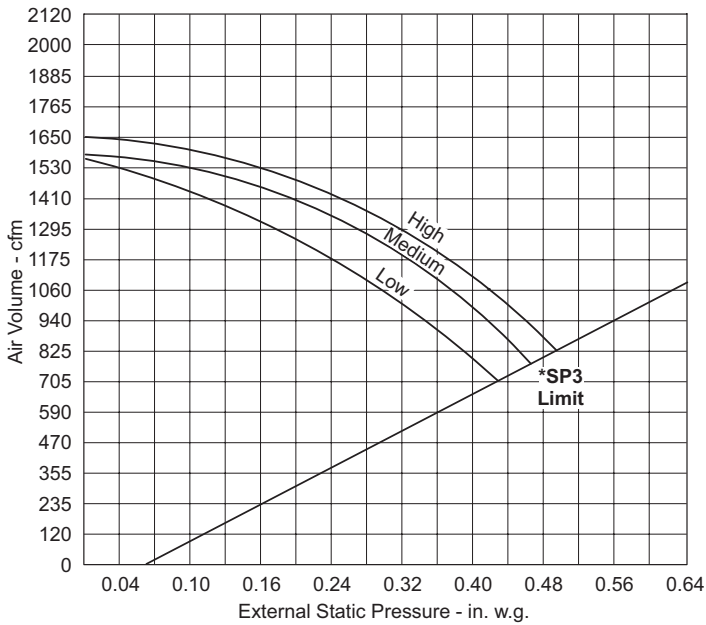
**MMDB036S4**



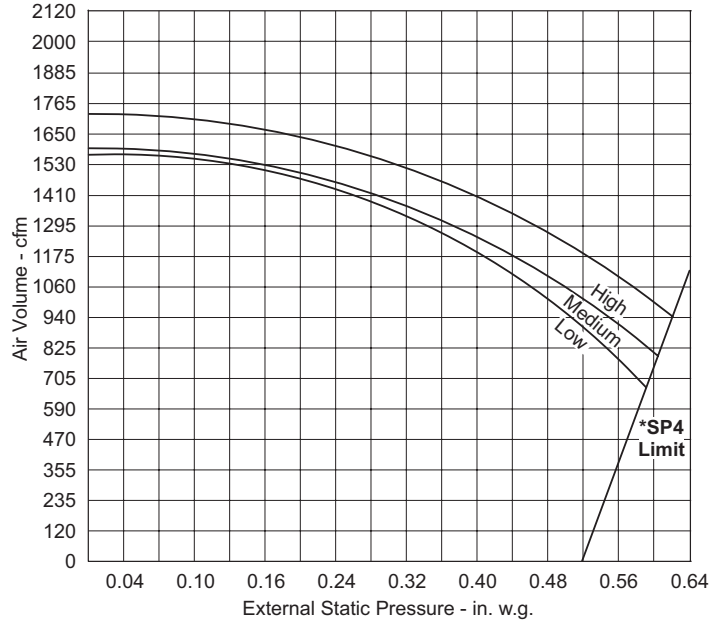
*\*SP1 Limit airflow rate setting on the controller.*



*\*SP2 Limit airflow rate setting on the controller.*

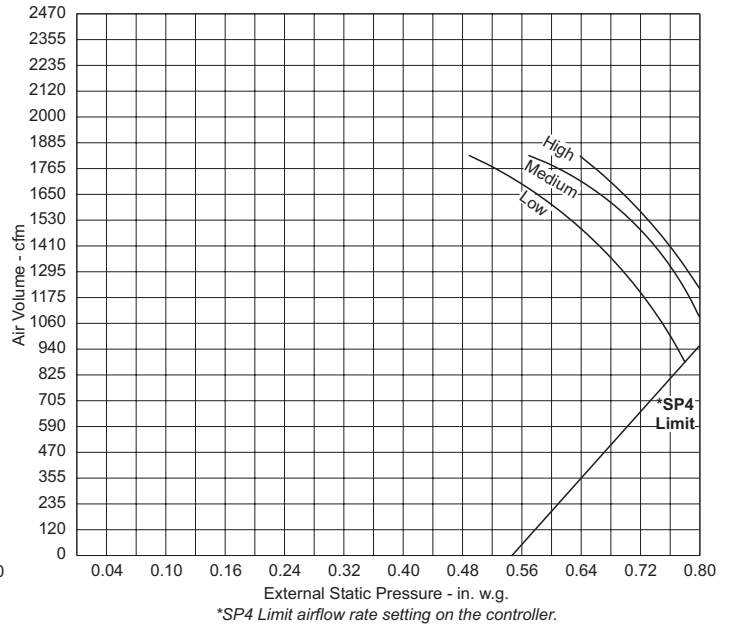
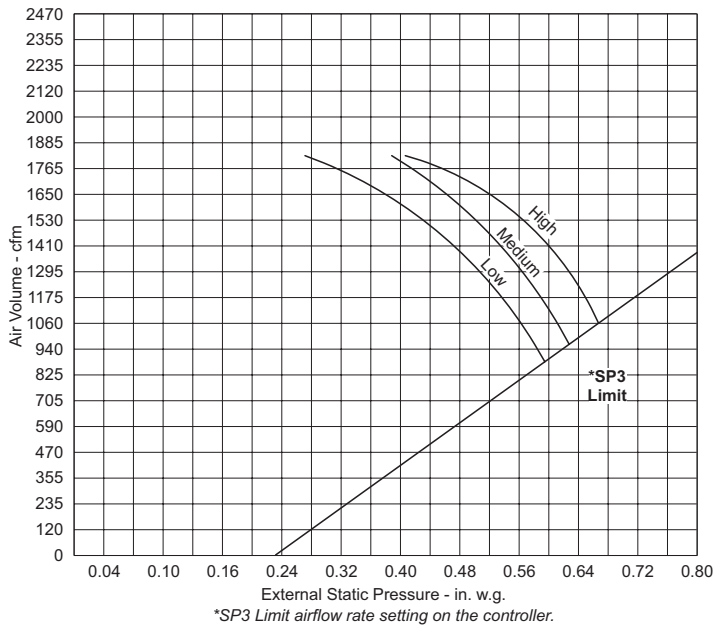
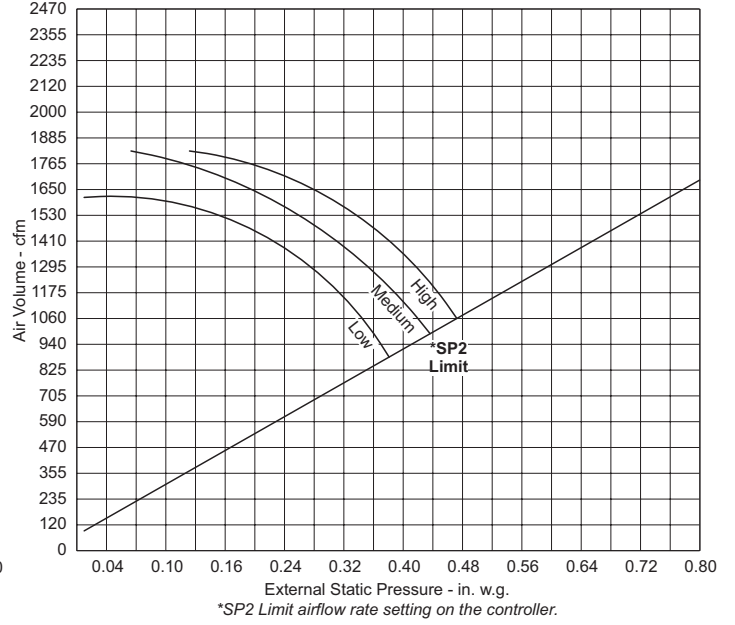
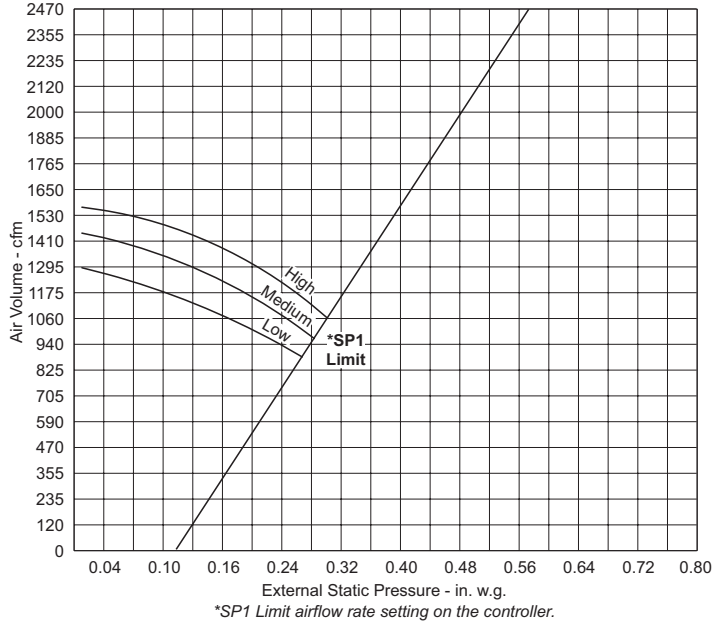


*\*SP3 Limit airflow rate setting on the controller.*

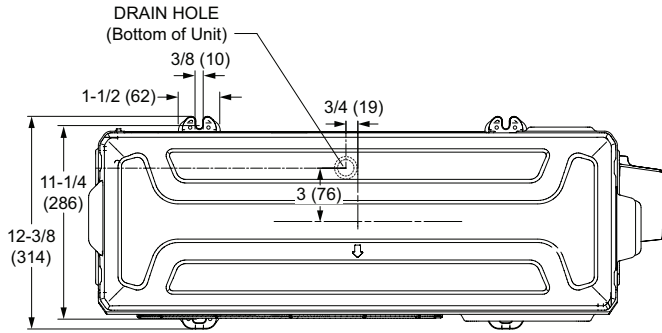


*\*SP4 Limit airflow rate setting on the controller.*

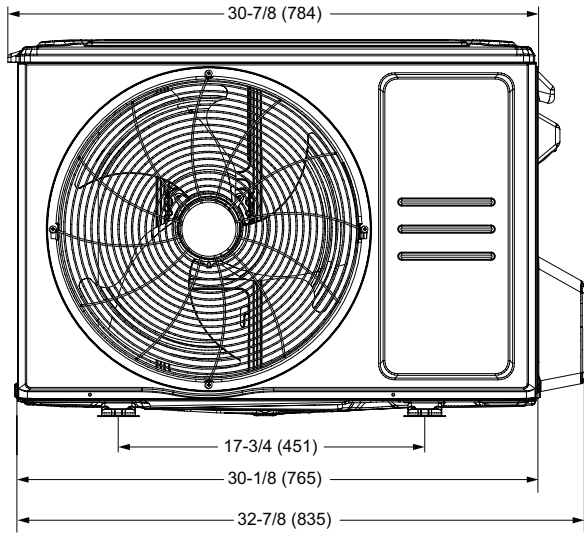
**MMDB048S4**



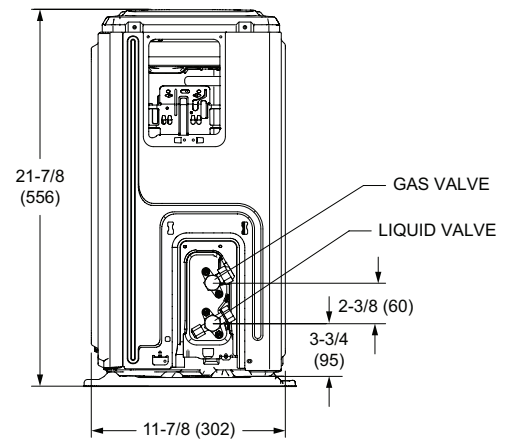
**MPC009S4S | MPC012S4S**



**TOP VIEW**

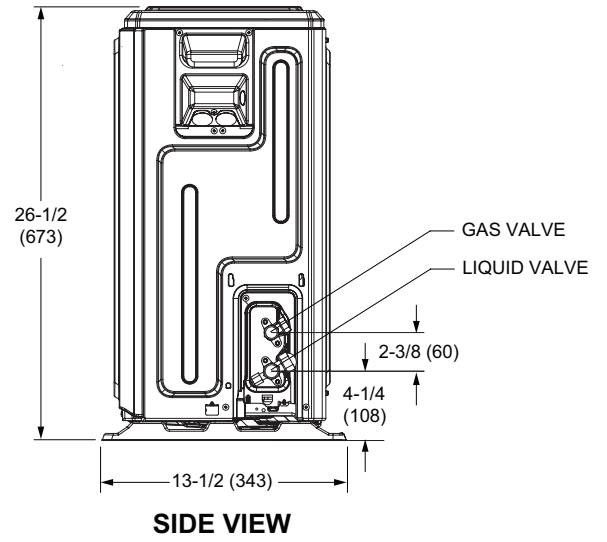
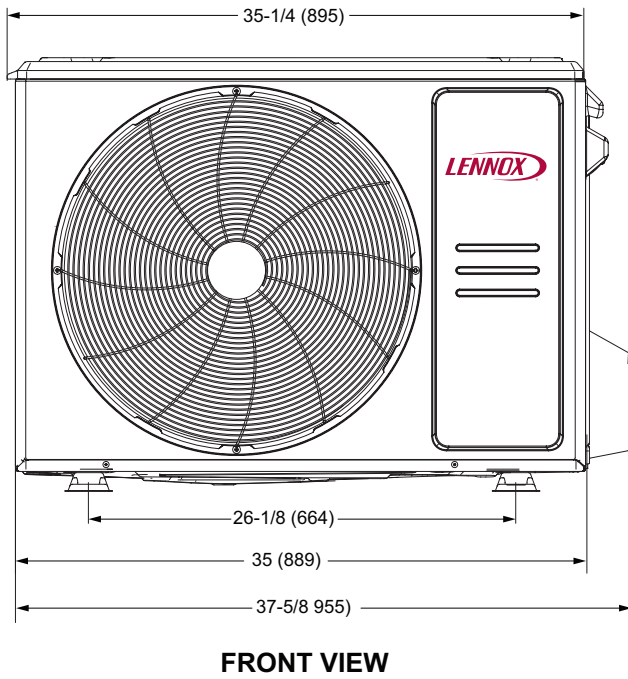
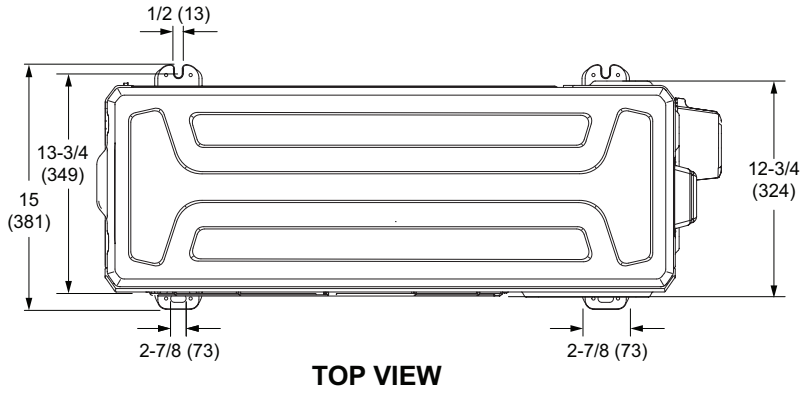


**FRONT VIEW**

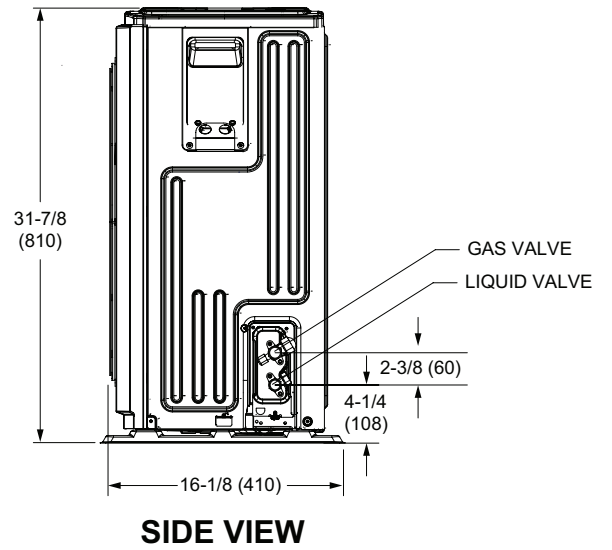
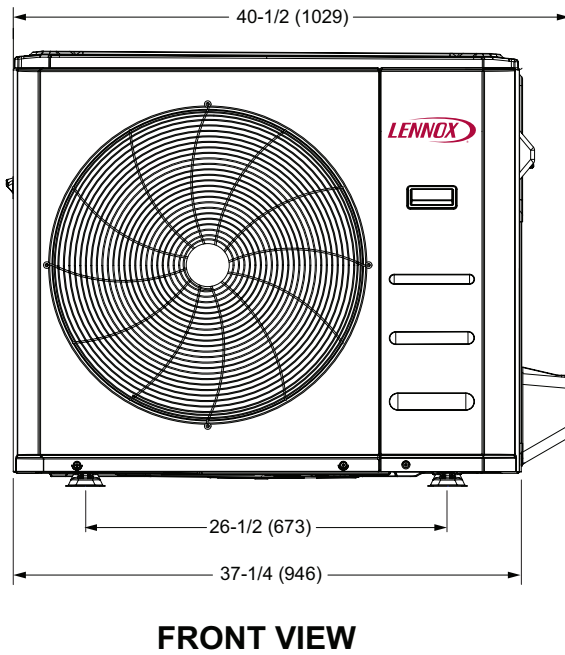
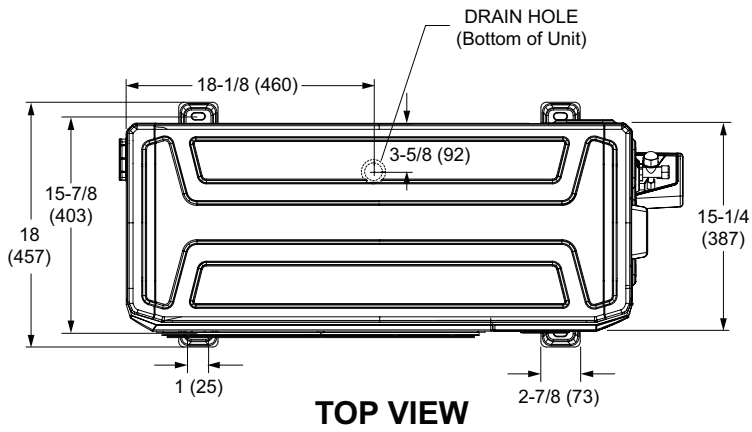


**SIDE VIEW**

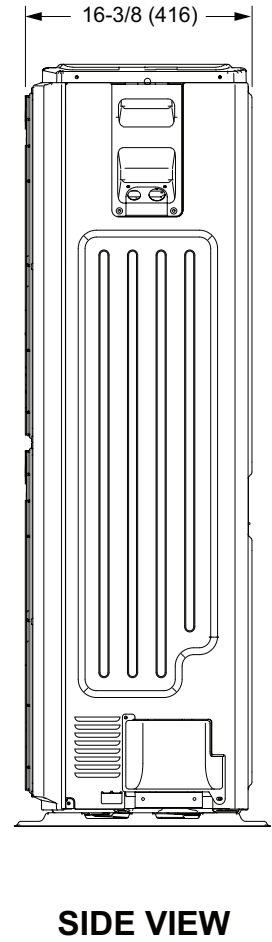
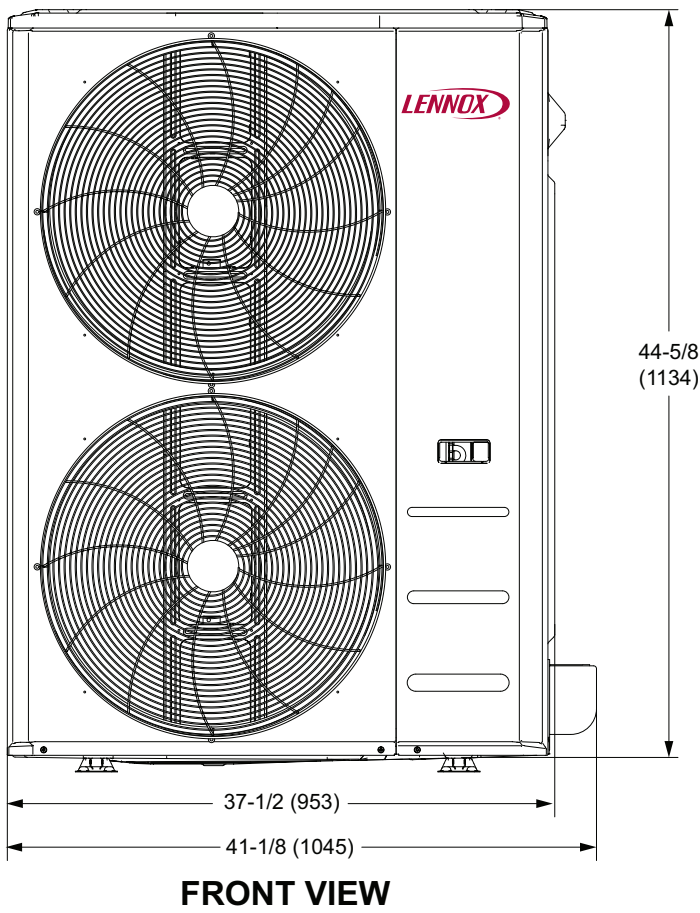
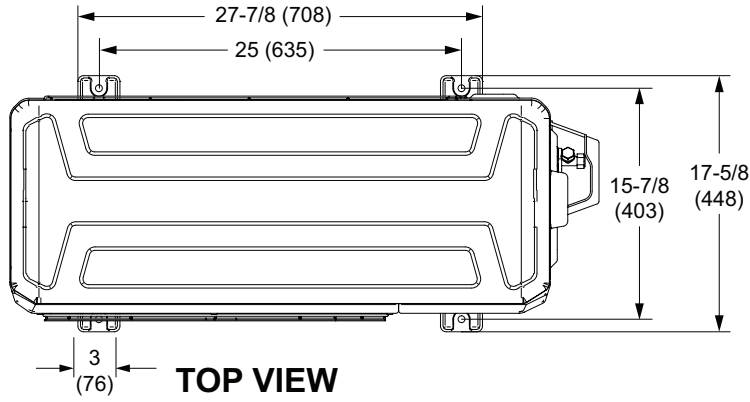
**MPC018S4S**



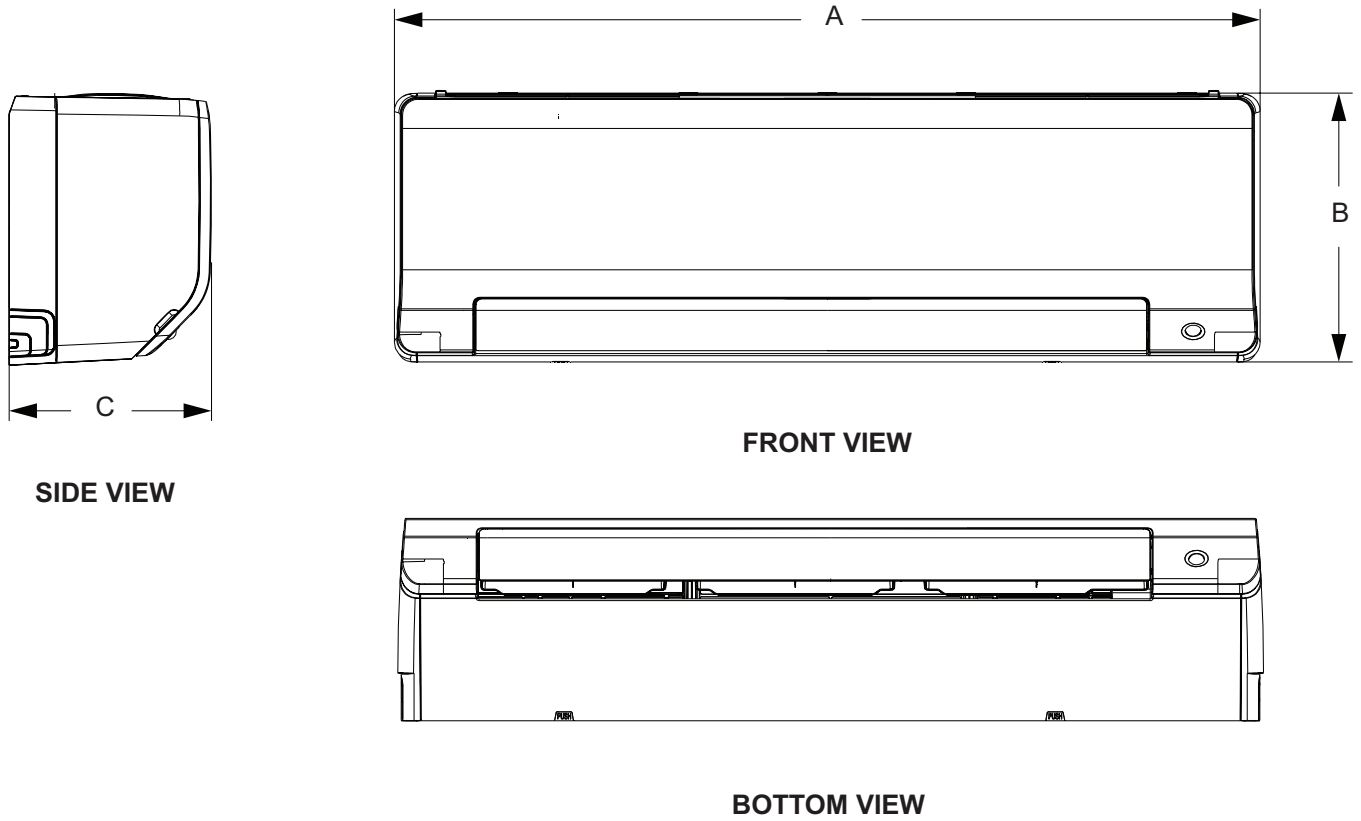
**MPC024S4S | MPC030S4S | MPC036S4S**



**MPC048S4S**



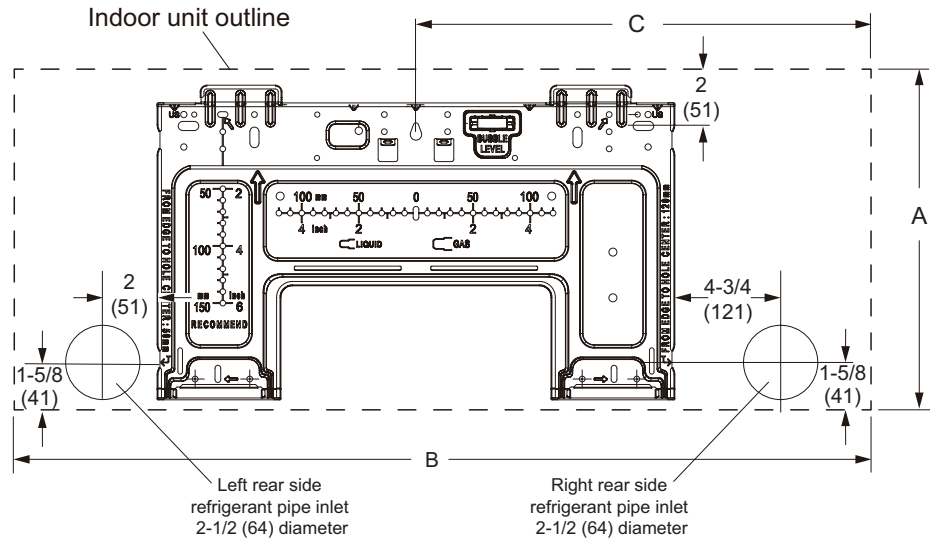
MWMC009S4 | MWMC012S4 | MWMC018S4 | MWMC024S4 | MWMC030S4



Size	A		B		C	
	in.	mm	in.	mm	in.	mm
MWMC009, 012	33-3/8	848	11-3/4	298	9	229
MWMC018	40	1016	12-1/2	318	9-1/2	241
MWMC024, 030	46-7/8	1191	14-5/8	371	11	279

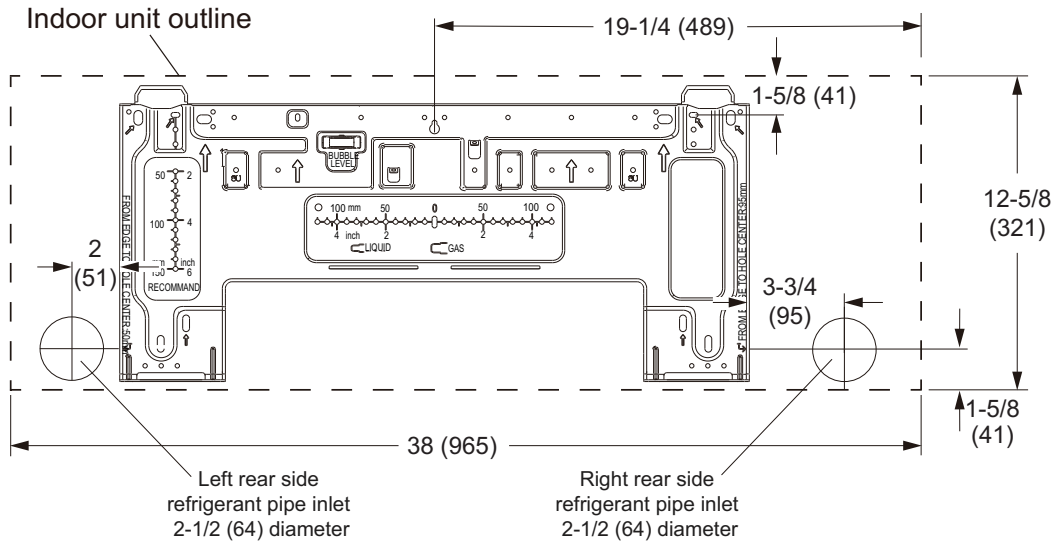


**MWMC009S4 | MWMC012S4**

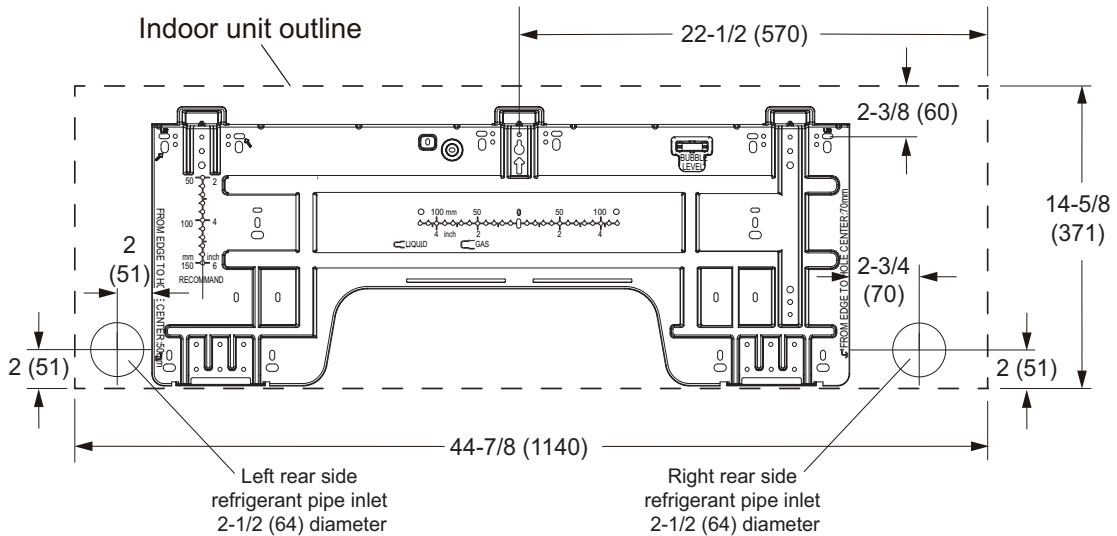


Size	A		B		C	
	in.	mm	in.	mm	in.	mm
MWMC009	11-1/2	290	28-1/2	724	13-3/4	349
MWMC012	11-3/4	297	31-3/4	806	15-7/8	403

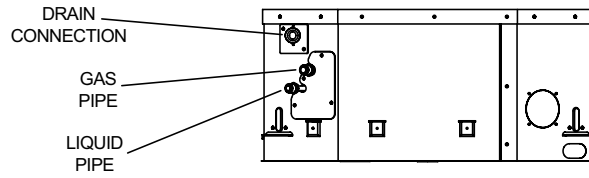
**MWMC018S4**



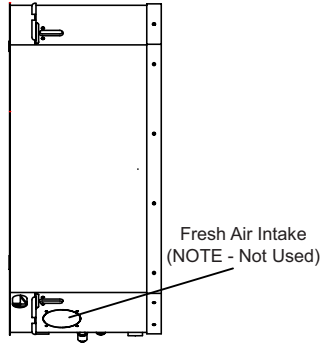
**MWMC024S4 | MWMC030S4**



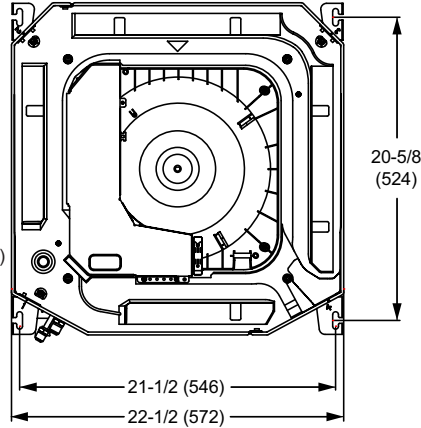
**M22A009S4, M22A012S4, M22A018S4**



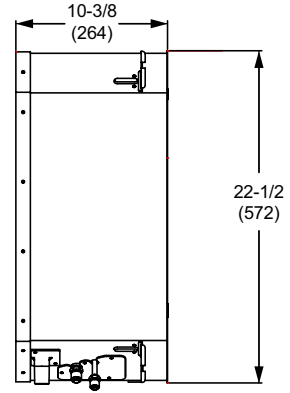
**SIDE VIEW**



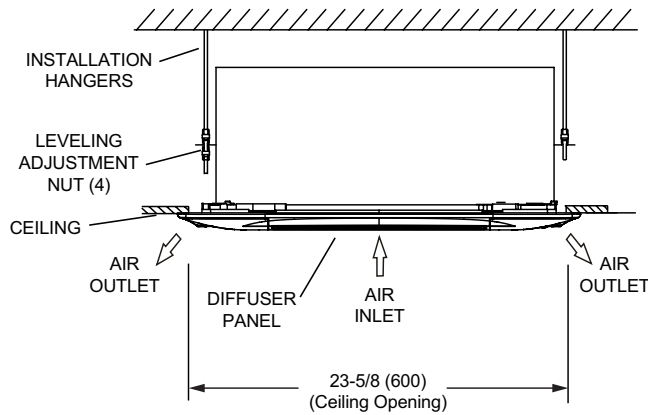
**LEFT SIDE VIEW**



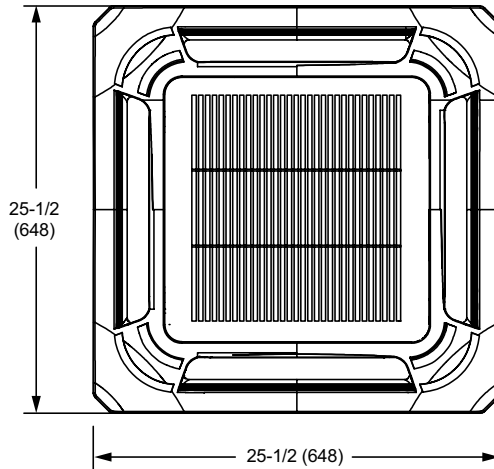
**BOTTOM VIEW (Body)**



**RIGHT SIDE VIEW**

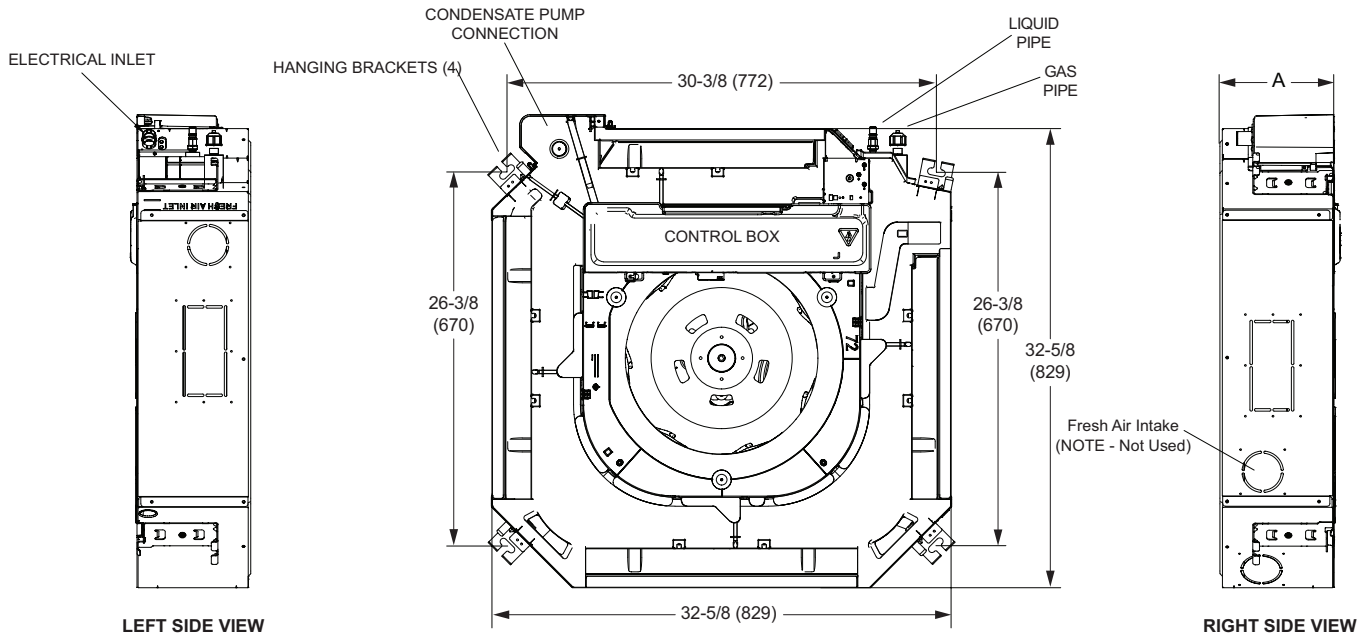


**SIDE VIEW**



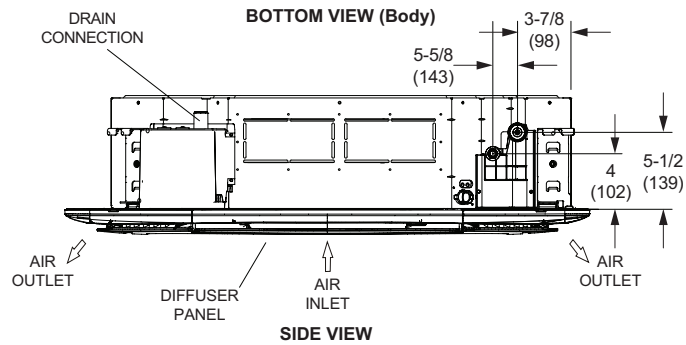
**BOTTOM VIEW (Panel)**

**M33C024S4, M33C036S4, M33C048S4**



LEFT SIDE VIEW

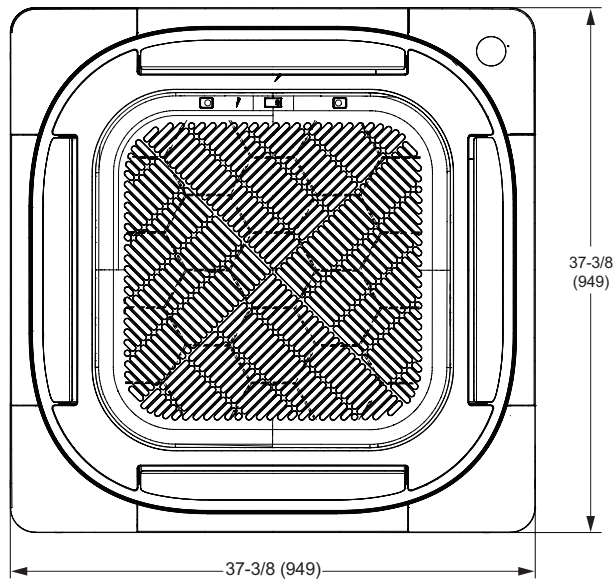
RIGHT SIDE VIEW



BOTTOM VIEW (Body)

SIDE VIEW

Size	A	
	in.	mm
024	8-1/8	206
036	9-5/8	244
048	11-1/4	286

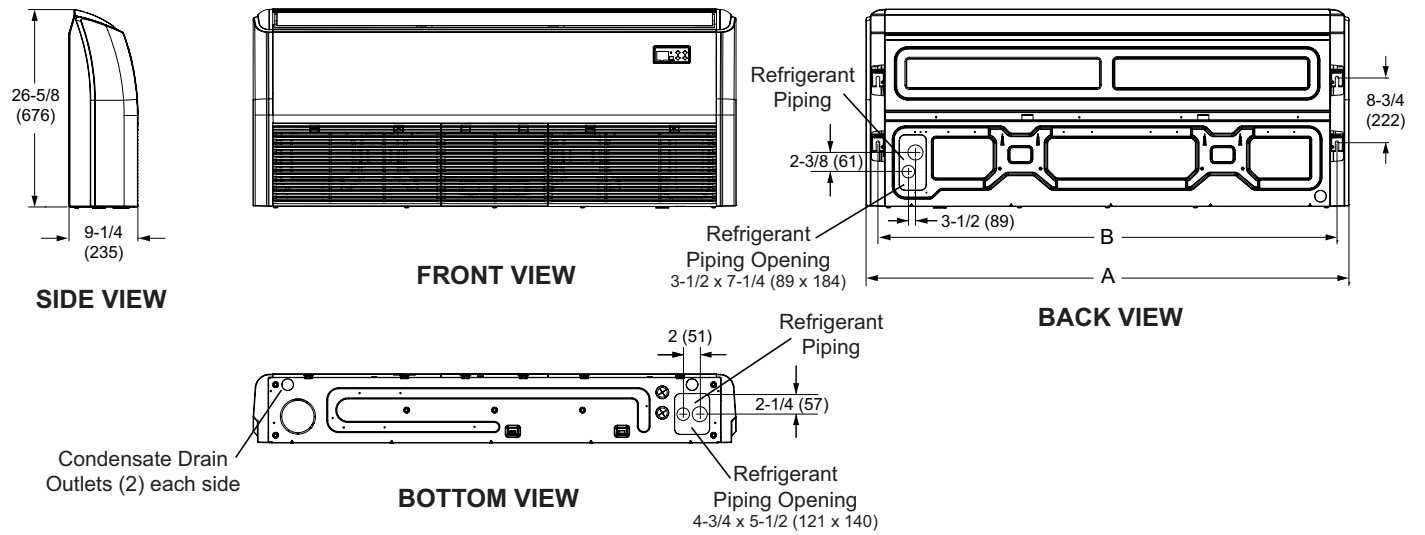


BOTTOM VIEW (Panel)

**DIMENSIONS**

**CEILING/FLOOR MOUNT INDOOR UNITS**

**MCFB018S4, MCFA024S4, MCFA036S4, MCFA048S4**

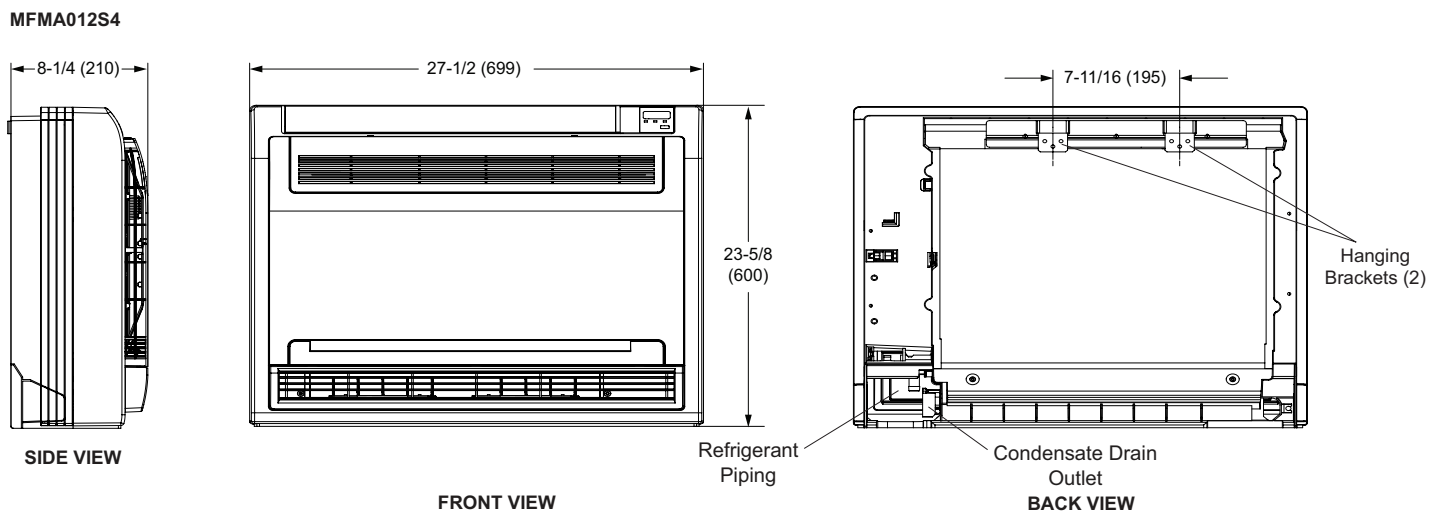


Model No.	A		B	
	in.	mm	in.	mm
018	42	1067	37	940
024	42-1/8	1070	39	991
036	50-5/8	1286	47-3/8	1203
048	65	1651	61-3/4	1568

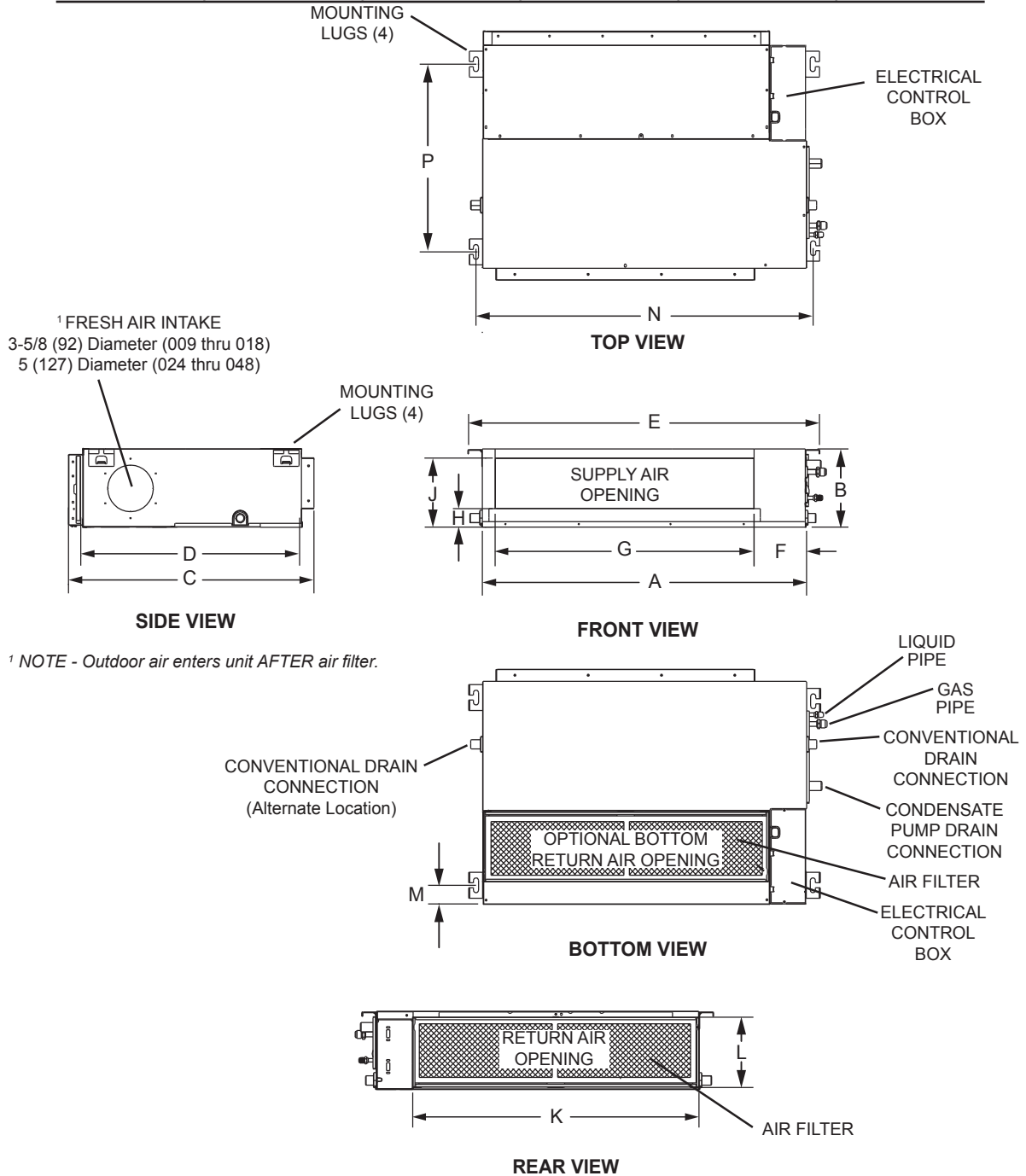
**DIMENSIONS**

**FLOOR MOUNT CONSOLE INDOOR UNIT**

**MFMA012S4**



**MMDB009S4 | MMDB012S4 | MMDB018S4 | MMDB024S4 | MMDB036S4 | MMDB048S4**

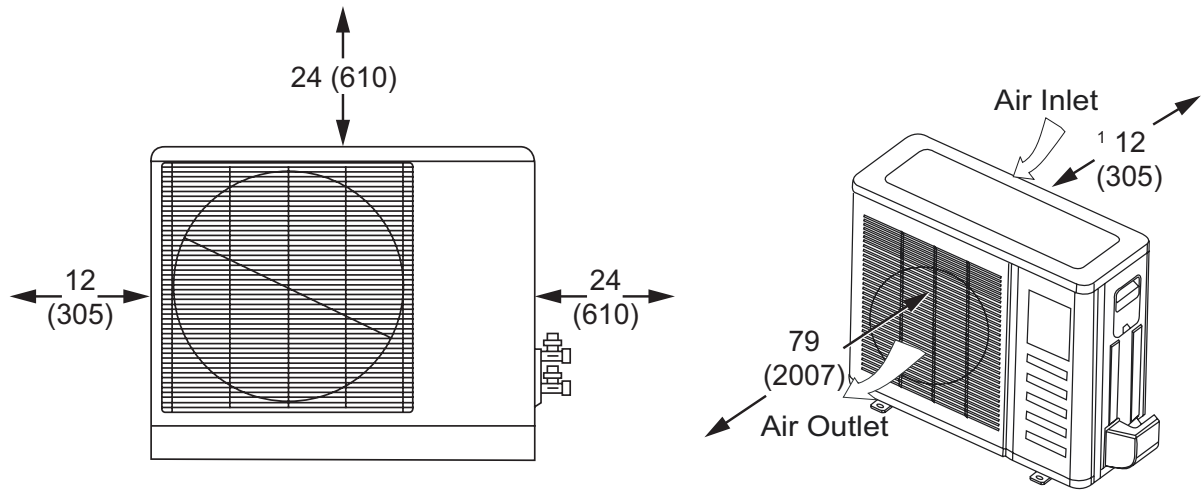


<sup>1</sup> NOTE - Outdoor air enters unit AFTER air filter.

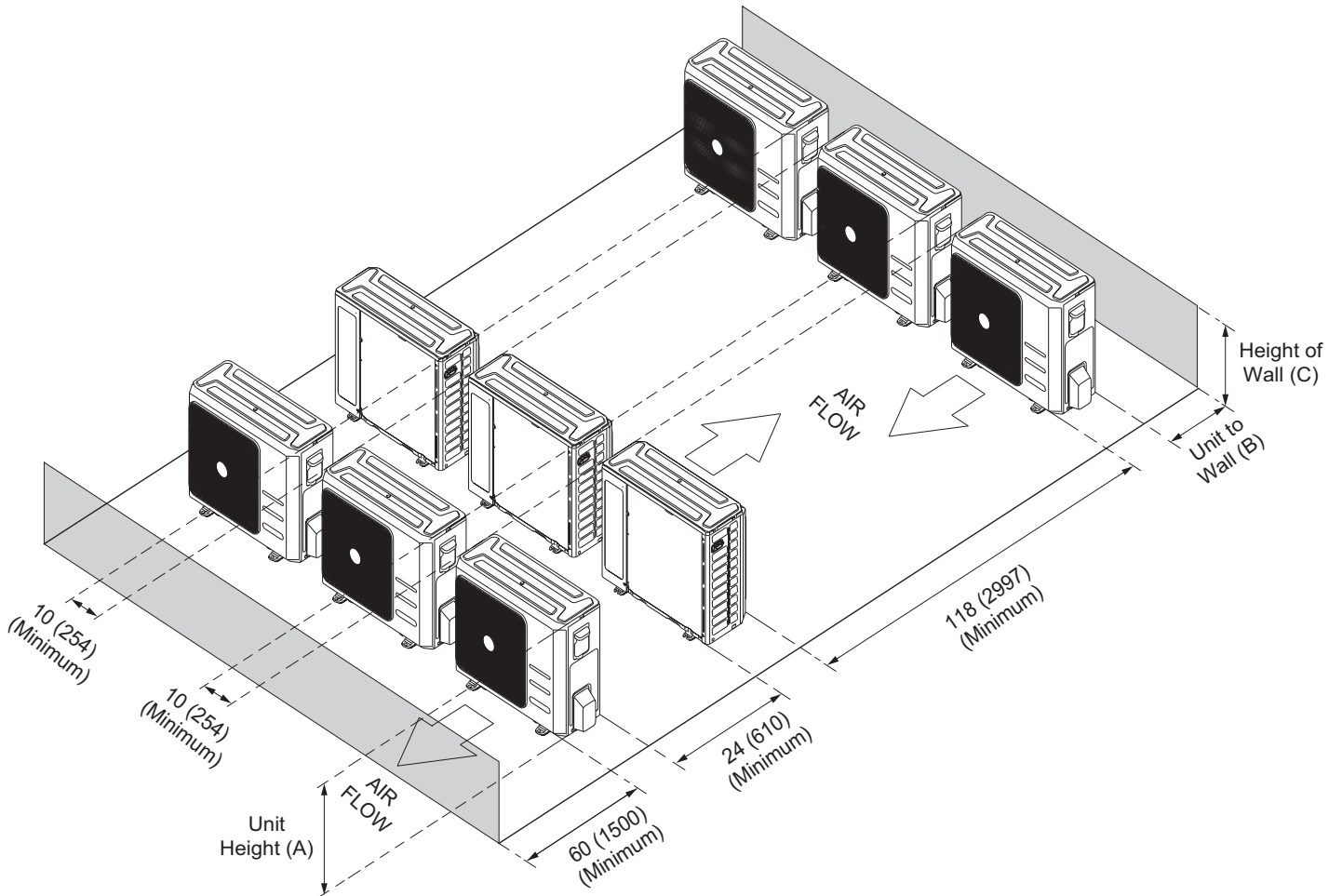
Size	A		B		C		D		E		F		G		H	
	in.	mm	in.	mm	in.	mm	in.	mm	in.	mm	in.	mm	in.	mm	in.	mm
009 thru 012	27-5/8	702	7-7/8	200	19-7/8	505	17-3/4	451	30-3/4	781	5-3/8	137	21-1/8	537	1-1/8	29
018	34-5/8	879	8-1/4	210	26-1/2	673	23-5/8	600	37-7/8	962	5-1/2	140	27-3/4	705	2	51
024	43-1/4	1099	9-3/4	248	30-1/2	775	27-1/2	699	46-1/2	1181	5-1/2	140	36-1/2	927	2	51
036	53-1/2	1359	9-3/4	249	30-1/2	775	27-1/2	699	56-3/4	1441	5-1/2	140	46-3/4	1187	2	51
048	47-1/4	1200	11-7/8	302	34-3/8	873	31-1/2	800	50-1/2	1283	4-7/8	124	41-1/8	1045	2	51

Size	J		K		L		M		N		P	
	in.	mm	in.	mm	in.	mm	in.	mm	in.	mm	in.	mm
009 thru 012	6	152	23-5/8	600	7-3/8	187	2	51	29-1/8	740	14-1/8	359
018	5-3/8	137	30-3/4	781	7-1/2	191	1-5/8	41	36-1/4	921	20	508
024	6-7/8	175	39-3/8	1000	9	229	1/4	6	44-7/8	1140	23-1/2	597
036	6-7/8	175	49-5/8	1260	9	229	1/4	6	55-1/8	1400	23-1/2	597
048	9	229	43-3/8	1102	11	279	1/4	6	48-7/8	1241	27-1/2	699



<sup>1</sup> Minimum rear clearance can be 6 inches (152 mm) when mounted on brackets and with no obstructions on the other three sides.



**CLEARANCE NOTES FOR MULTIPLE UNITS:**

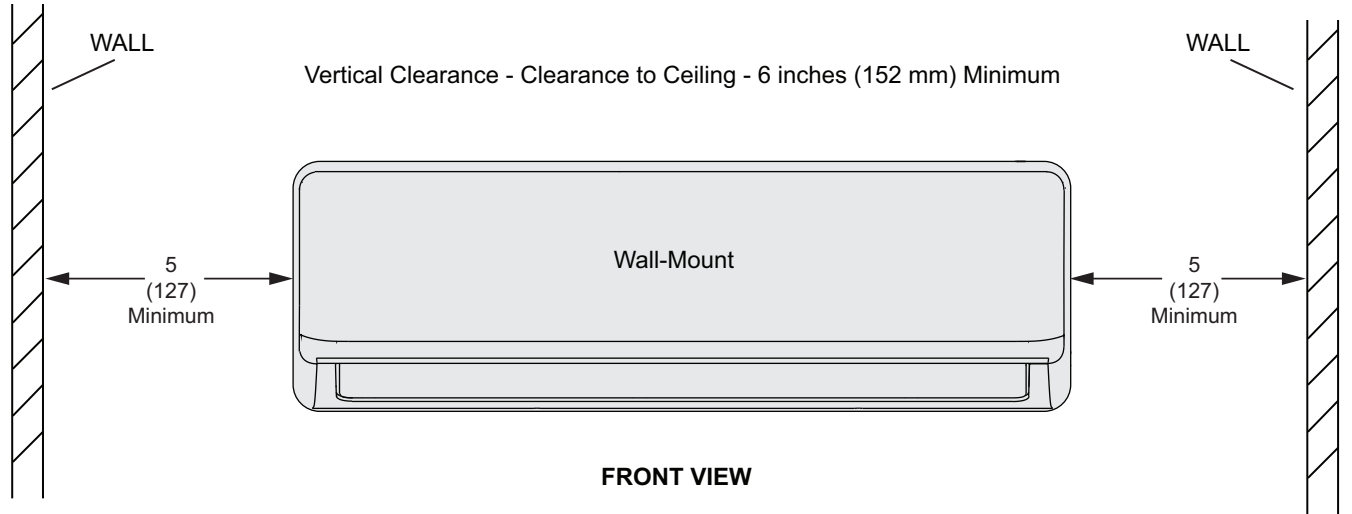
If the height of the wall (C) is less than or equal to the height of the smallest unit (A), the distance from the unit to the wall (B) must be a minimum of 10 inches (254 mm).

If 1/2 the height of the unit (A) is less than the height of the wall (C), the distance from the unit to the wall (B) must be a minimum of 12 inches (305 mm).

If the height of the wall (C) is greater than the height of the unit (A), the distance from the unit to the wall (B) must be a minimum of 20 inches (508 mm).

**INSTALLATION CLEARANCES**

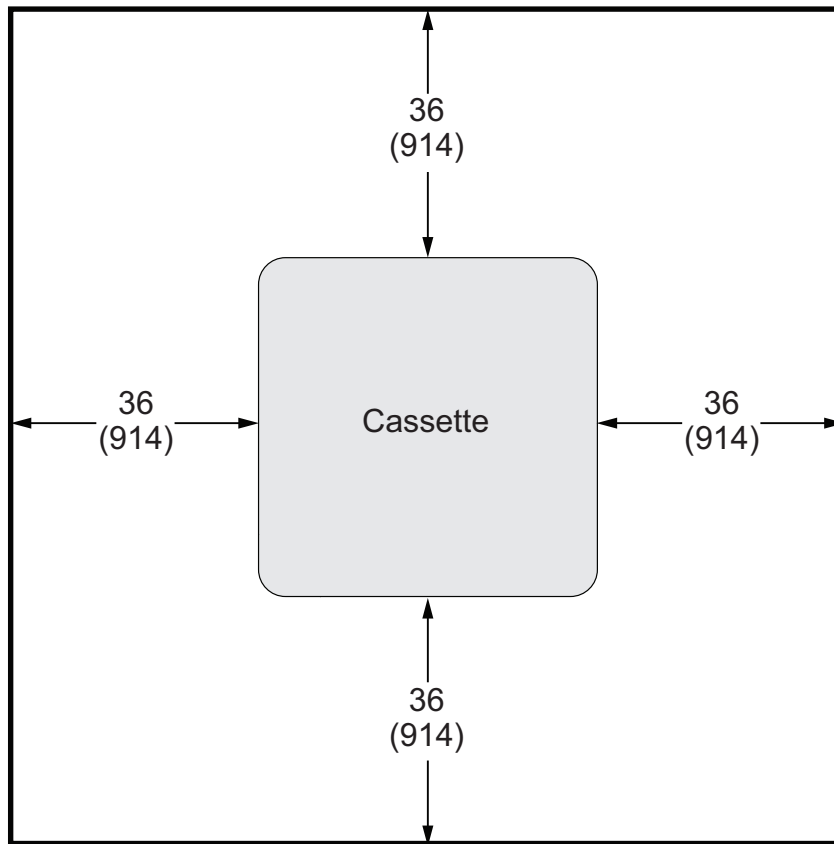
**WALL-MOUNTED INDOOR UNITS**



Vertical Clearance - Clearance to Floor - 72 inches (1829 mm) Minimum  
NOTE - Provide 96 inches (2438) clearance to floor for best performance

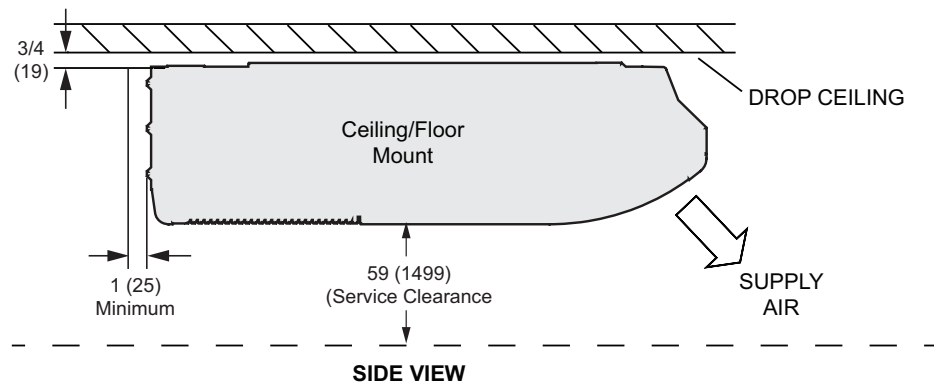
**INSTALLATION CLEARANCES**

**CASSETTE INDOOR UNITS**

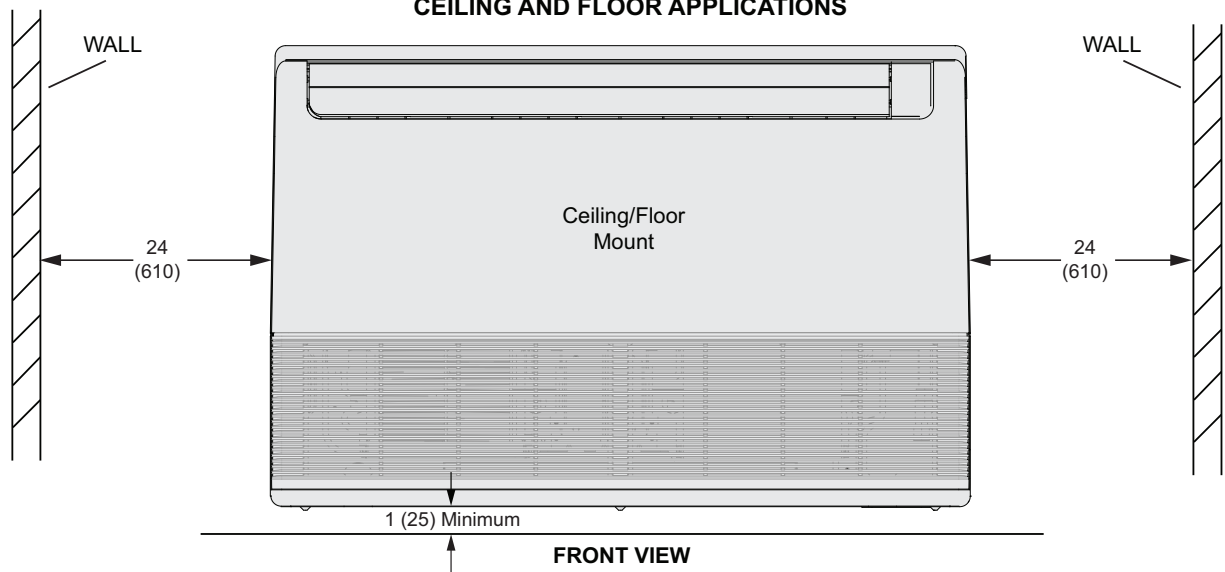


Minimum Vertical Clearances:  
Minimum Clearance from Structural Ceiling to Drop Ceiling - 10-1/4 inches (260 mm)  
Minimum Clearance to Floor - 98-1/2 inches (2500 mm)

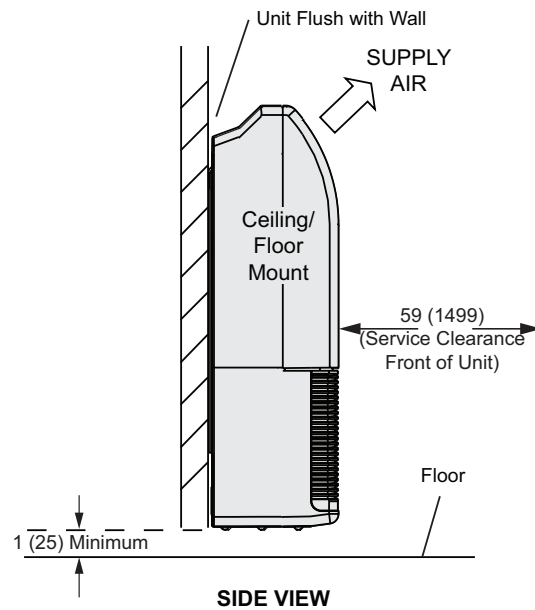
CEILING APPLICATIONS



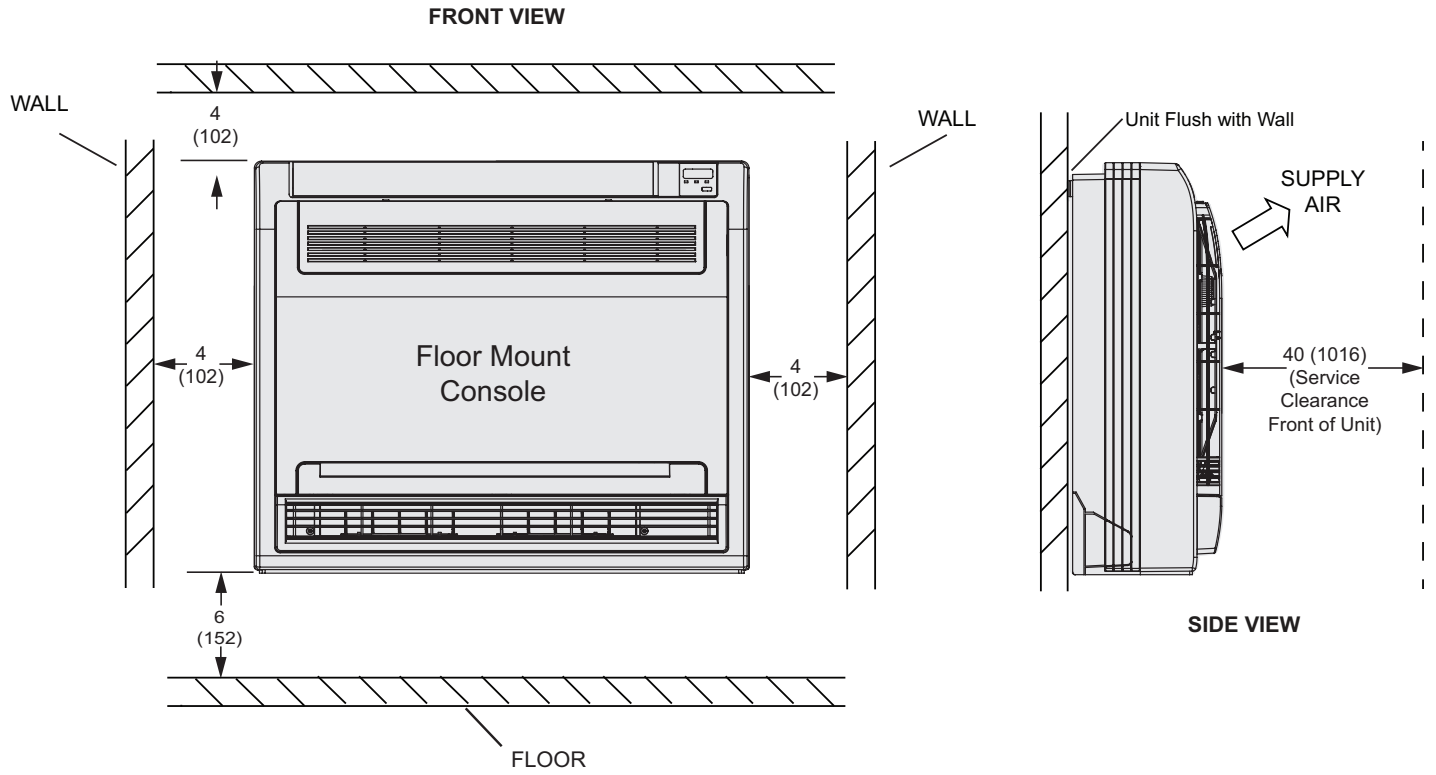
CEILING AND FLOOR APPLICATIONS

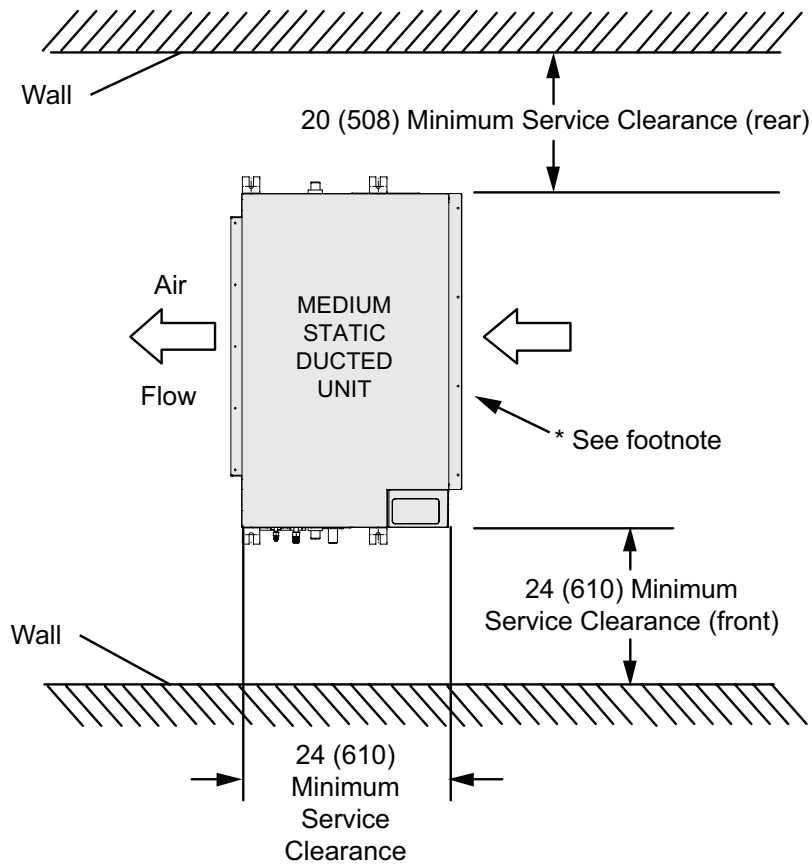


FLOOR APPLICATIONS

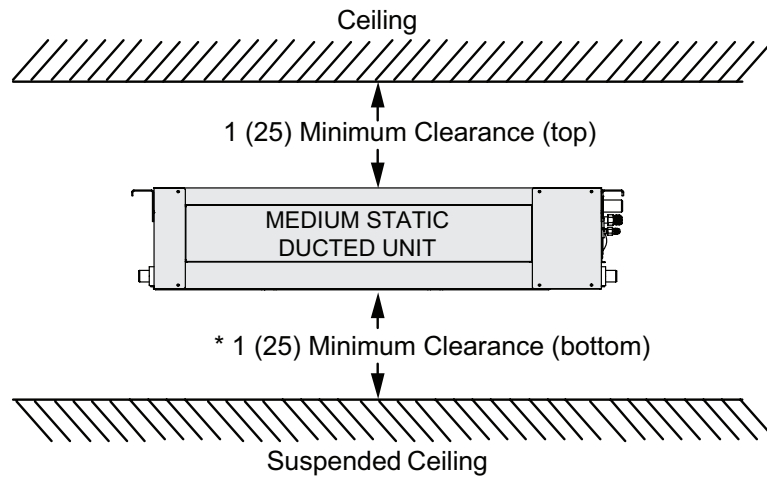








TOP VIEW

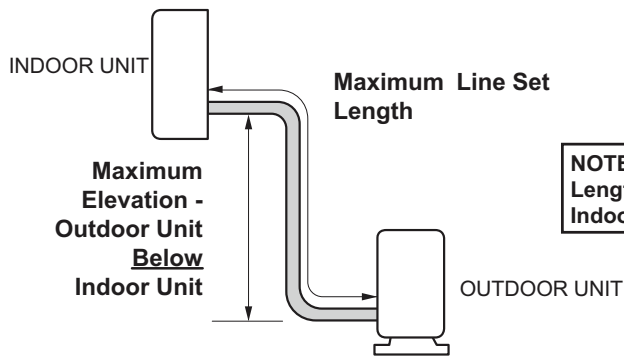


**\* NOTE - Bottom unit clearance can be 1 inch (25 mm), but allow 12 inches for filter removal on end return air applications**

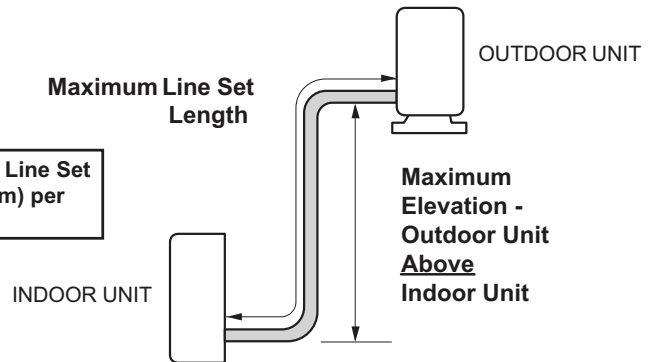
FRONT VIEW

# LINE SET AND ELEVATION GUIDELINES

## Outdoor Unit BELOW Indoor Unit



## Outdoor Unit ABOVE Indoor Unit



Size	Line Set Diameters (in.)		Maximum Elevation - Outdoor Unit <u>Below</u> Indoor Unit ft. (m)	Maximum Elevation - Outdoor Unit <u>Above</u> Indoor Unit ft. (m)	Maximum Line Set Length ft. (m)
	Liquid	Gas			
009	1/4	3/8	66 ft. (20 m)	66 ft. (20 m)	98 ft. (30 m)
012	1/4	1/2	66 ft. (20 m)	66 ft. (20 m)	98 ft. (30 m)
018	1/4	1/2	66 ft. (20 m)	66 ft. (20 m)	98 ft. (30 m)
024, 030	3/8	5/8	82 ft. (25 m)	82 ft. (25 m)	164 ft. (50 m)
036, 048	3/8	5/8	98 ft. (30 m)	98 ft. (30 m)	213 ft. (65 m)

## REVISIONS

Sections	Description of Change
AHRI Ratings	Updated Energy Star Certification.



**HRAI**  
✓ MEMBER COMPANY



Visit us at [www.Lennox.com](http://www.Lennox.com)

For the latest technical information, [www.LennoxPros.com](http://www.LennoxPros.com)

Contact us at 1-800-9-LENNOX

NOTE - Due to Lennox' ongoing commitment to quality, Specifications, Ratings and Dimensions subject to change without notice and without incurring liability. Improper installation, adjustment, alteration, service or maintenance can cause property damage or personal injury. Installation and service must be performed by a qualified installer and servicing agency.

©2022 Lennox Industries, Inc.