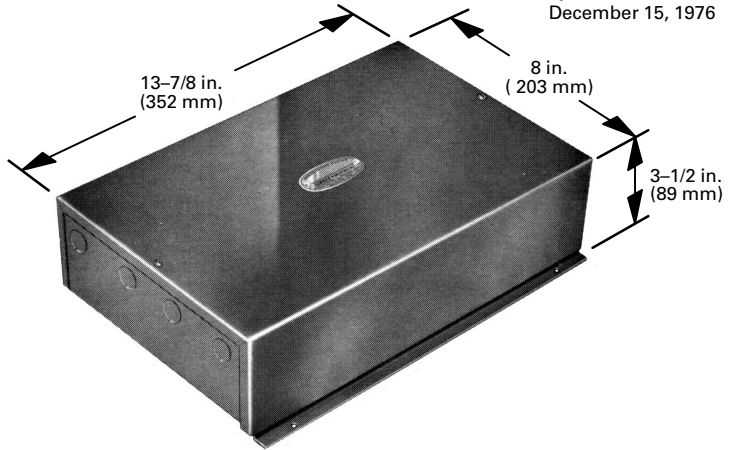
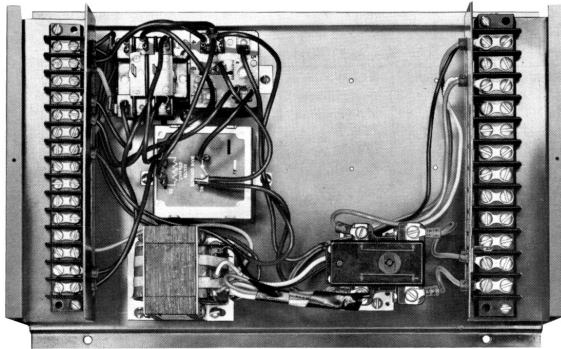


RELAY CONTROL CENTER

RL-45

Bulletin #210176
June 1997
Supersedes #480064
December 15, 1976



Applications:

- Basic commercial blower motor control panel.
- Handles any combination of heating/cooling equipment with 1 or 2 stage controls.
- Will control up to the following combinations of single phase blower motors:
 - 115 volt: (3) 1/4 hp (187 W), (3) 1/3 hp (249 W), (2) 1/2 hp (373 W) or (1) 1 hp (746 W).
 - 230 volt: (3) 1/2 hp (373 W), (3) 3/4 hp (560 W), (2) 1 hp (746 W), or (1) 2 hp (1492 W).
- For larger motor output or externally protected 3 phase motors, separate contactors or starters must be used.
- Box may be installed adjacent to or on blower unit.

Sequence of Operation:

- The timed start blower relay provides blower operation 30 seconds after heating cycle demand.
- Blower motors start immediately on cooling cycle demand.

Features:

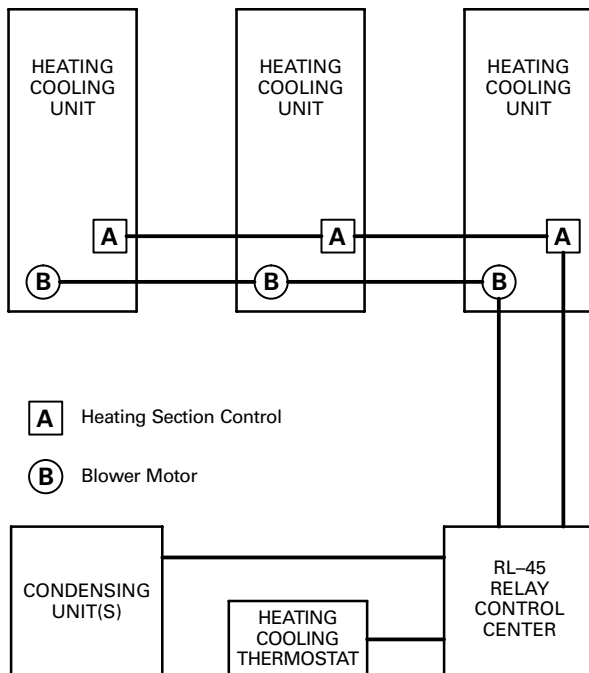
- Mounting holes provided on box.
- Two terminal strips.
- Blower motor contactor.
- Multi-voltage transformer, 24 volt secondary, 120/208/220 volt selectable primary.
- Time delay blower relay.
- Heating relay with resistor and blower relay.
- All controls mounted and pre-wired in control box.
- Pre-punched holes to mount four additional relays, if needed.
- Complete wiring diagrams included in installation instructions.

Optional Accessories:

- Auxiliary limit controls (58717), mounting bracket (52364), relay and wire kit (37123) and 3 wire control (23228) are available.
- Thermostat is not furnished. See Thermostats bulletin in Thermostat and Control Section or Lennox Price Book.

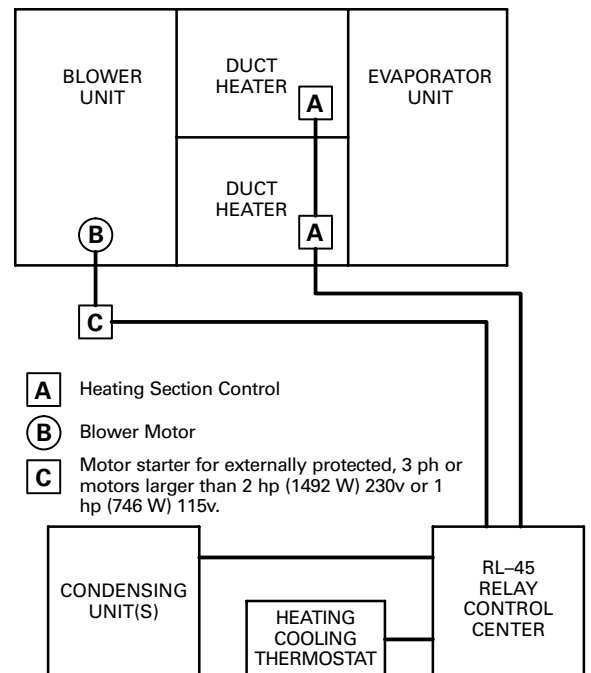
Typical Arrangements

3 Heating – Cooling Units



- A** Heating Section Control
- B** Blower Motor

2 Duct Heaters & 1 Blower Unit



- A** Heating Section Control
- B** Blower Motor
- C** Motor starter for externally protected, 3 ph or motors larger than 2 hp (1492 W) 230v or 1 hp (746 W) 115v.