

# ROOFTOP UNITS BURGLAR BARS

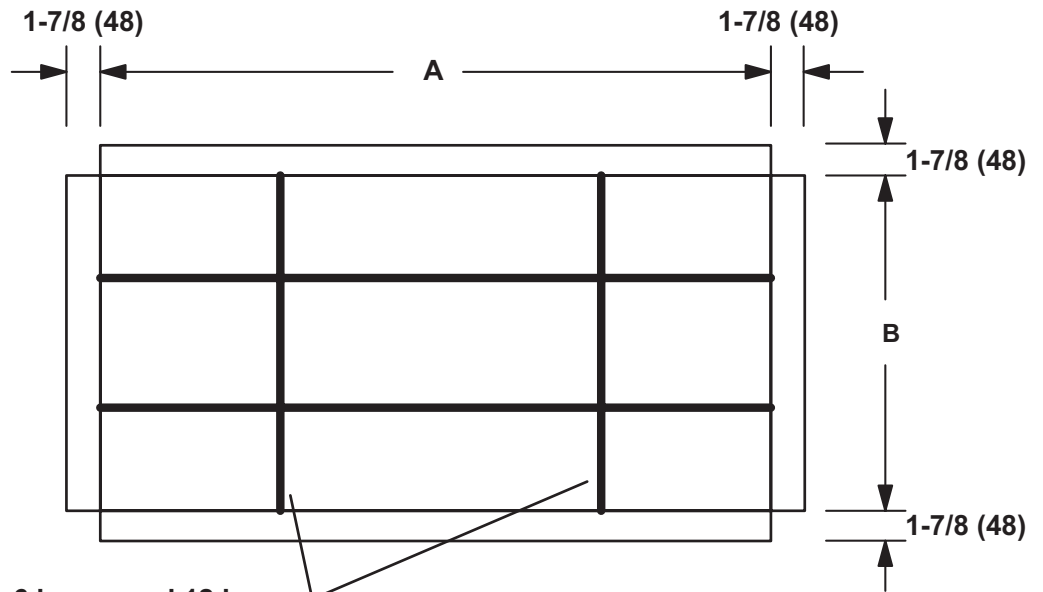


## COMMERCIAL PRODUCT SPECIFICATIONS

Bulletin No. 210518  
May 2010  
Supersedes March 2009

CUSTOMER:

PROJECT:

3/4 in. burglar bars are 6 in o.c. and 12 in. o.c.

- Heavy gauge galvanized frame
- Fully welded
- 3/4 in. bar meets ASTM specification
- Frame meets ASTM A446, A525, A526 and A527 specification
- Burglar bars designed to fit into ductwork

QTY.	TAG	Emergence/Landmark Rooftop Unit Sizes	Burglar Bar Catalog No.	Supply				Return			
				A		B		A		B	
				in.	mm	in.	mm	in.	mm	in.	mm
		024-090	<b>Y1037</b>	17-1/8	435	19-1/8	486	10-5/8	271	30	762
		092-150	<b>Y3355</b>	27-3/4	705	19-3/4	502	24-3/4	629	27-3/4	705
		156-300	<b>44N20</b>	59-1/2	1511	19	483	59-1/2	1511	14	356
		300H-360	<b>Y1036</b>	59-1/2	1511	19	483	77-1/2	1969	14	356

Visit us at [www.lennox.com](http://www.lennox.com)

For the latest technical information, [www.LennoxPros.com](http://www.LennoxPros.com)

Contact us at 1-800-4-LENNOX

NOTE - Due to Lennox' ongoing commitment to quality, Specifications, Ratings and Dimensions subject to change without notice and without incurring liability. Improper installation, adjustment, alteration, service or maintenance can cause property damage or personal injury. Installation and service must be performed by a qualified installer and servicing agency.