



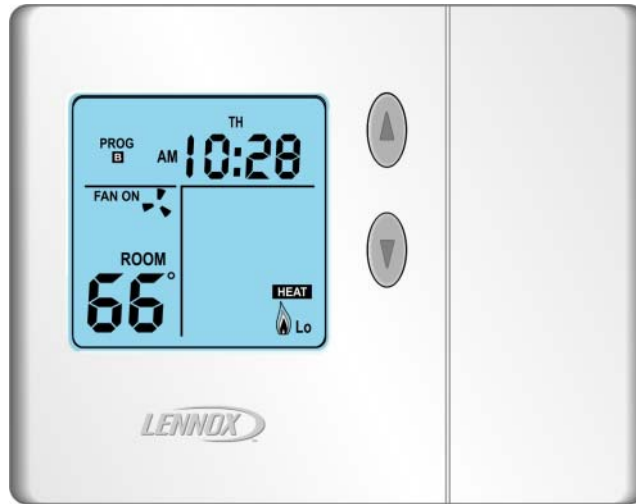
**ENGINEERING DATA**

**COMFORTSENSE™ 3000  
7 Day Programmable Thermostats**

Bulletin No. 210499  
February 2008  
Supersedes 210387

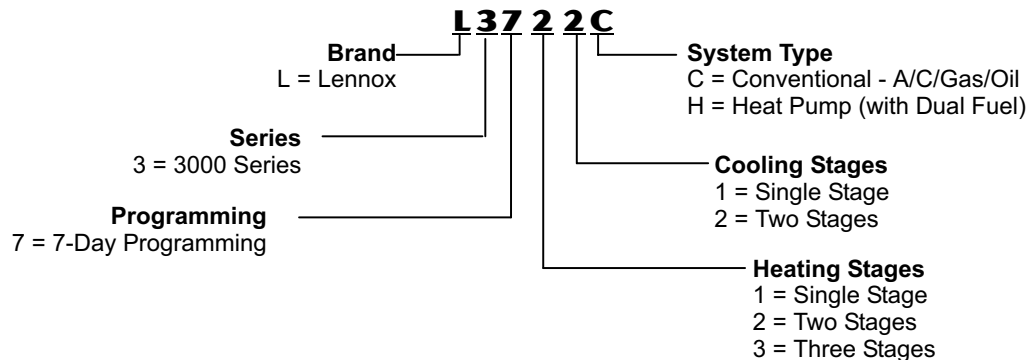


Remote Outdoor Sensor  
Furnished



- 1 Heat / 1 Cool Single Stage**
- 2 Heat / 2 Cool Multi-Stage**
- 3 Heat / 2 Cool Heat Pump**

**MODEL NUMBER IDENTIFICATION**



**FEATURES**

Large, back-lit, easy-to-read LCD screen. Digital display offers more accurate control of temperature settings than mechanical controls. Large buttons are easy to push. Sleek, modern appearance works well with any decor. System status icons show when the HVAC system is running. Auto-changeover automatically alternates between heating and cooling during transitional weather for enhanced comfort and efficiency. Smooth temperature transition gradually changes room temperature to next program period for increased comfort. Filter monitor displays when it is time to service the HVAC system filter. Maintenance reminder indicates when routine service is required. Service monitor indicates when the cooling system is not operating properly. Hard-wired to the indoor unit power supply. No batteries to change.

Heat pump model can be used in dual-fuel applications or applications with auxiliary heat lockout. Requires outdoor temperature sensor (furnished). Five-minute compressor short-cycle protection.

**FULLY PROGRAMMABLE**

7-day programming, four time periods per day. Time is in 10 minute increments. Day/Time button allows quick clock setting changes. Heat/Cool buttons simplify setting precise heating and cooling temperatures. Fan button selects continuous or automatic blower operation. Independent heat and cool temperature storage. Programming button sets, reviews or changes schedule. Copy button saves programming steps by automatically copying programs to other days of the week. Hold features will permanently hold setpoints without changing the program.

## FEATURES

### **WARRANTY**

**Two-year** limited warranty.

Refer to Lennox Equipment Limited Warranty certificate included with equipment for details.

### **DISPLAY**

Day and time display will show current day and time. Will show program time when in the programming mode and reminder setting when in IAQ set mode.

Program/Hold indicators show the current program and the program override (hold) status.

Compressor stage indicators show if the first or second stage of the compressor is activated (if applicable).

Maintenance reminder will be displayed when the maintenance timer expires.

Room - shows the current room temperature.

Setpoint - shows the set point temperature.

System selector indicators - shows the current selection of system control; COOL, OFF, HEAT, and EMG. HEAT (heat pump model only).

If heating is activated, the system status will show a flame animation.

If cooling is activated, the system status will show a snowflake animation.

Fan selection indicator shows the current selection of fan control which can be ON or AUTO.

If the fan is activated, the fan status indicator will show a rotating fan animation.

Outdoor Sensor (furnished) allows easy viewing of outdoor temperature.

The service indicator will show a 1HZ blinking indicator when 24VAC is present at the L terminal and Y<sub>1</sub> is on for five minutes.

LCD backlight turns on for 30 seconds when any key is pressed.

### **SPECIFICATIONS**

Temperature set range: 50°F to 90°F.

Room Temperature Display range: 35°F to 99°F.

Room Temperature Display: User selectable Fahrenheit or Celsius.

Outdoor Temperature Display Range: -22°F to 122°F.

Outdoor temperature Display: Fahrenheit.

Fan control: On/Auto.

Auto-changeover deadband selectable 4 or 6 degrees.

User selectable filter reminder: Off, 1, 3, 6, or 12 months.

User selectable maintenance reminder: Off, 6, or 12 months.

Stage up timer: 15 minutes (multi-stage models only).

Power Supply: 18-30 VAC - 60hz.

Memory, clock, filter and maintenance counters maintained for 24 hours of power outage.

Dimensions (H x W x D): 4-1/4 x 5-1/4 x 1-1/4 in.

### **REMOTE OUTDOOR SENSOR FURNISHED**

When installed outdoors, allows the thermostat to display outdoor temperature. Also provides balance point control for multi-stage heat pumps.

Outdoor sensor uses 22AWG thermostat wire up to 150 ft. long.

### **ORDERING INFORMATION**

**L3711C (51M38)** - 1 Heat/1 Cool - Conventional Heat/Cool  
Terminals: R, C, Y<sub>1</sub>, W<sub>1</sub>, G, L, T, T

**L3722C (51M39)** - 2 Heat/2 Cool - Conventional Heat/Cool  
Terminals: R, C, Y<sub>1</sub>, Y<sub>2</sub>, W<sub>1</sub>, W<sub>2</sub>, G, L, T, T

**L3732H (51M42)** - 3 Heat/2 Cool - Heat Pump  
Terminals: R, C, Y<sub>1</sub>, Y<sub>2</sub>, W<sub>1</sub>, E, O, B, G, L, T, T

### **OPTIONS**

**Wall Plate - X2659**



Visit us at [www.lennox.com](http://www.lennox.com)

For the latest technical information, [www.lennox.com](http://www.lennox.com)

Contact us at 1-800-4-LENNOX