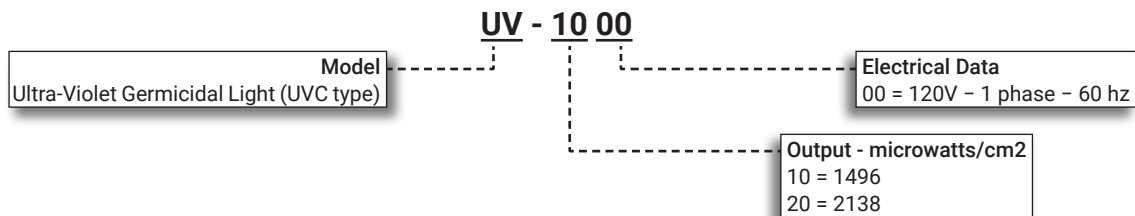




**RESIDENTIAL  
PRODUCT SPECIFICATIONS**



**MODEL NUMBER IDENTIFICATION**



**CONTENTS**

Approvals And Warranty . . . . . 1

Dimensions . . . . . 3

Features . . . . . 2

Maintenance / Optional Accessories - Must Be Ordered Extra . . . . . 2

Specifications . . . . . 2

**APPROVALS AND WARRANTY**

**APPROVALS**

- Units are UL and ULC certified to Standard 1598
- Units are FIFRA (Federal Insecticide Fungicide Rodenticide Act) registered, file number 73316

**WARRANTY**

- All covered components:
  - Limited five years warranty in residential applications
  - Limited one-year in non-residential applications

**NOTE** - Lamps are routine maintenance items and are not covered under the warranty.

**NOTE** - Refer to Lennox Equipment Limited Warranty certificate included with unit for specific details.

## FEATURES

### APPLICATIONS

- Applicable to most forced air installations
- Installs on the supply or return air plenum
- All UVC lights are effective at killing stationary contaminants

**NOTE** - 2000 dual lamp models are more effective than the 1000 single lamp models

- The unit emits ultra-violet (UVC) energy at 253.7 nanometers, which has been proven to be effective in damaging the DNA of micro-organisms such as virus, bacteria, yeasts and molds
- This process either destroys the organism or controls its ability to reproduce

### CABINET

- Painted steel cabinet
- Front of unit lifts off without the need of tools, for service access
- UVC-proof viewing port provided under front cover
- Self-adhesive gasket/template provided for ease of installation and to provide an air seal
- Three-prong, detachable 6-foot power cord for plug-in 120V electrical connection
- 3 amp-250V fuse access is external to unit

### SAFETY FEATURES

- Any exposure to ultra-violet (UVC) light will cause significant eye damage and may cause skin damage
- Power cord must be completely removed from the front of the unit before the cover can be removed
- Cover interlock switch terminates the power from the unit when the front cover is removed
- A Remote Interlock Switch is included with the UV-2000 and UV-2023 models, and is optional for other models

### LAMP(S)

- Low power consumption, high UVC output

### Optional Accessories

#### Remote Interlock Switch

- Standard on UV-2000 models, must be ordered extra for all other models
- Power to the UVC light is automatically disconnected anytime the access panel to the HVAC equipment is opened
- Recommended for applications where service access is 3 ft. or less from the UVC light

#### Replacement Lamp

- Recommended annual replacement of the lamp(s). See Specifications table for order number

## SPECIFICATIONS

	Model No.	UV-1000	UV-2000
<b>Number of lamps</b>		1	2
<b><sup>1</sup> Microwatt/cm<sup>2</sup> Output</b>		1496	2138
<b>Shipping Data - lbs. - 1 package</b>		9	12
<b>Electrical Data</b>	Voltage - 60 hz - 1 phase	120V	120V
	Input Line Current (Amps)	0.46	0.90
	Input Power (W)	56	108

## MAINTENANCE / OPTIONAL ACCESSORIES - MUST BE ORDERED EXTRA

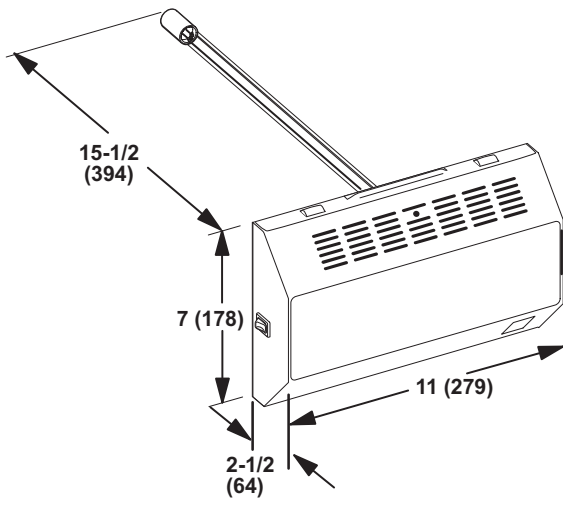
<b>Remote Interlock Switch</b>	<b>64X53</b>	•	Factory
<b>Replacement Lamp(s)</b>	<b>64X56</b>	•	<sup>2</sup> •

<sup>1</sup> Test conditions: new lamps, 500 cfm air flow, 50°F air temperature, measured 12 in. from lamp.

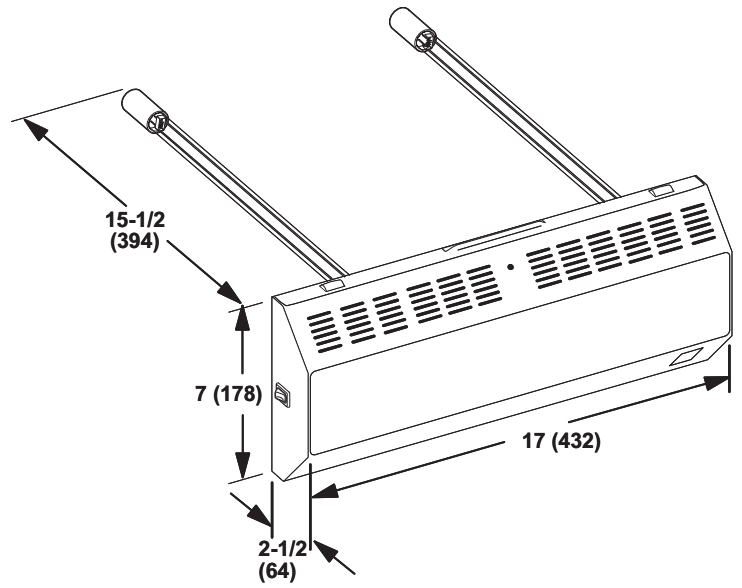
<sup>2</sup> Two lamps required.

# DIMENSIONS

UV-1000



UV-2000





Visit us at [www.lennox.com](http://www.lennox.com)

For the latest technical information, [www.LennoxPros.com](http://www.LennoxPros.com)

Contact us at 1-800-4-LENNOX

NOTE - Due to Lennox' ongoing commitment to quality, Specifications, Ratings and Dimensions subject to change without notice and without incurring liability.  
Improper installation, adjustment, alteration, service or maintenance can cause property damage or personal injury.  
Installation and service must be performed by a qualified installer and servicing agency.

©2010 Lennox Industries, Inc.