

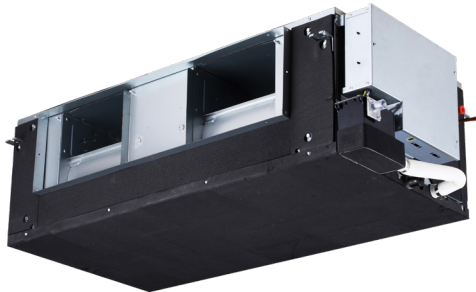


**COMMERCIAL
PRODUCT SPECIFICATIONS**

Bulletin No. 210894
March 2021
Supersedes July 2019

High efficiency, compact design for limited space requirements. Installs out of sight between the drop ceiling and ceiling slab with duct distribution to the indoor space.

Model has three-stage fan with integrated electric control box. Model has Fresh Air feature, which allows the introduction of outside air, if required. External static pressure of up to 1.13 in. w.g. allows extended ductwork if necessary.



APPROVALS

- Units are ETL certified for the U.S. and Canada

WARRANTY

- Components - Limited ten years for qualifying installations. See Warranty Certificate for details

FEATURES

- **Pre-Heat Function** - Delays the operation of the fan until the indoor coil has reached a pre-determined temperature which prevents the discharge of cold air while the system is operating in the "heating" mode
- **Digital Readout/Infrared Receiver Panel** - Mounted on unit (may be remotely located)
 - LEDs display unit operation status, and codes for maintenance and servicing
 - Infrared receiver for use with a wireless remote control (not furnished)

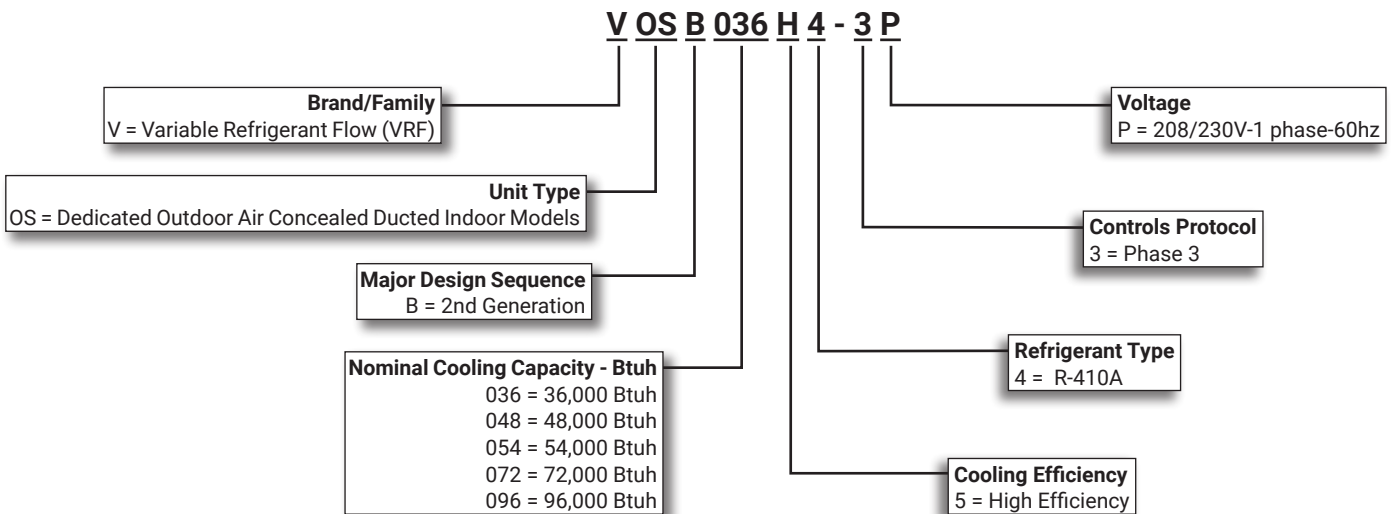


TABLE OF CONTENTS

Blower Data 8
 Cooling Capacity 13
 Dimensions 3
 Heating Capacity 14
 Installation Clearances 5
 Model Number Identification. 1
 Sound Data 6
 Specifications 2

- **Unit Addressing** - An optional wireless remote control (not furnished) can be used to inquire and modify each indoor unit's address
- **Three-Stage Fan Speed (High Efficiency DC Motor)** - Fan functions at three levels: low, medium, high
- **Auto Restart** - Automatically restores the previous function setting if power is interrupted
- **Electronic Expansion Valve** - Assures optimal performance throughout the application range.
- **Braze Connections** - Equipped with liquid and gas braze fittings for secure piping
 - See dimension drawing for locations
- **Air Filter** - Cleanable air filter is furnished as standard
- **Built-In Condensate Lift Pump** - Furnished and factory installed on 036-048-054 models
 - 28 inches lift of lift from the bottom of the pan

MODEL NUMBER IDENTIFICATION



SPECIFICATIONS

General Data		Nominal kBtuh	36	48	54	72	96
		Model Number	VOSB036H4	VOSB048H4	VOSB054H4	VOSB072H4	VOSB096H4
¹ Cooling Performance	Net Cooling Capacity - Btuh		36,000	48,000	54,000	72,000	96,000
	Total Unit Power Input (W)		71	75	91	152	182
	Rated current (A)		0.8	0.8	0.9	1.4	1.6
¹ Heating Performance	Net Heating Capacity - Btuh		30,000	40,000	45,000	57,000	59,000
	Total Unit Power Input (W)		57	62	82	115	185
	Rated current (A)		0.6	0.7	0.8	1	1.6
Refrigerant	Type		R-410A	R-410A	R-410A	R-410A	R-410A
Indoor Fan motor	Input - W		64	71	87	(2) 60	(2) 80
	Speed (high / medium / low) - rpm		639/580/491	664/577/500	701/606/510	639/597/552	690/630/568
Indoor Coil	Number of rows		4	4	4	4	4
	Fin spacing - in.		1/16	1/16	1/16	5/64	5/64
	Coil length x height x width - in.		39-1/4 x 14 x 3-1/2			44-5/16 x 20 x 3-1/2	
	Number of circuits		7	7	7	20	20
	Tube outside diameter and type - in.		3/8 - Rifled Copper Tubing				
	Fin type		Hydrophilic Coated Aluminum				
	Expansion device type		Electronic Expansion Valve				
	Design Pressure (high / low)- psig		650 / 250				
Indoor Coil Connections	Liquid pipe o.d. - in. (flare)		3/8	3/8	3/8	3/8	3/8
	Gas pipe o.d. - in. (flare)		5/8	5/8	5/8	7/8	7/8
	Gravity drain connection o.d. - in.		(1) 1	(1) 1	(1) 1	² (1) 1-5/8	² (1) 1-5/8
	Lift pump drain connection o.d. - in.		(1) 1	(1) 1	(1) 1	² (1) 1-5/8	² (1) 1-5/8
Indoor Blower	³ Airflow (high / medium / low) - cfm		588/529/441	647/559/471	765/647/529	1059/971/882	1294/1176/1029
	External static pressure - in. w.g.		0.2 - 0.8	0.2 - 0.8	0.2 - 0.8	0.2 - 1.0	0.2 - 1.0
	Sound data (high / medium / low) dBA		49.5/47.8/43.8	50.4/47.8/43.4	51.4/47.8/43.9	52.1/50/48.5	53.5/50.8/47.7
Filter Size - in. (furnished)		42-5/8 x 13-1/4 x 3/8			44-1/2 x 13-1/4 x 3/8		
Control Wiring (AWG)		2-Core Shielded, Stranded, Polarity Sensitive, 18 AWG					
Weight Data	Unit weight (net / shipping) - lbs.		162 / 234	162 / 234	162 / 234	256 / 347	256 / 347

ELECTRICAL DATA

	Line voltage data - 60 hz - 1ph		208/230V	208/230V	208/230V	208/230V	208/230V
⁴ Maximum overcurrent protection (amps)			15	15	15	15	15
	⁵ Minimum circuit ampacity		2.6	3	3.4	5	5.2
	Indoor Blower Motor - Full load amps		2.1	2.4	2.7	(2) 2.2	(2) 2.3

¹ Nominal capacities are based on the following conditions (with 25 ft. of connecting refrigerant lines);

- Cooling Ratings - 91°F db/82°F wb.
- Heating Ratings - 32°F db/26°F wb.

² With furnished 1 x 1-5/8 inch (unit to drain pipe) adaptor furnished with unit.

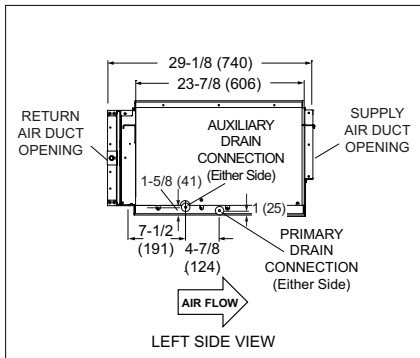
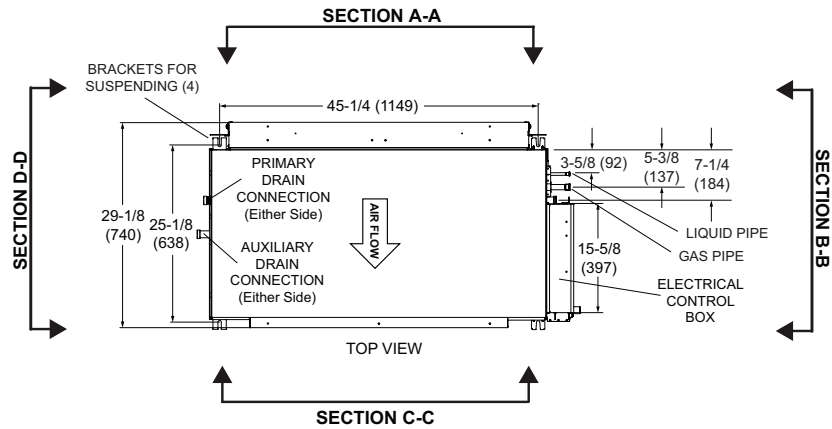
³ Air volume numbers shown are typical. Please refer to the blower data curves for cfm values at varying static pressures.

⁴ HACR type circuit breaker or fuse.

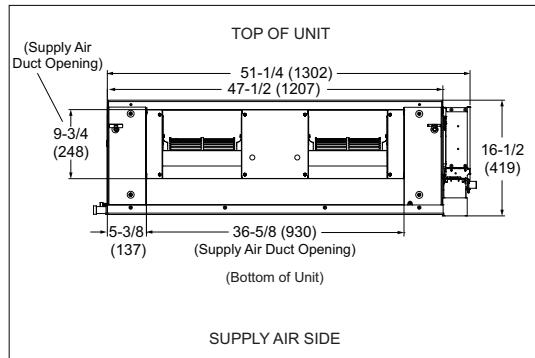
⁵ Refer to National or Canadian Electrical Code manual to determine wire, fuse and disconnect size requirements.

DIMENSIONS

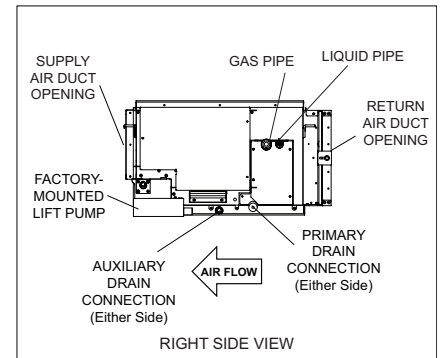
VOSB036, 048, 054



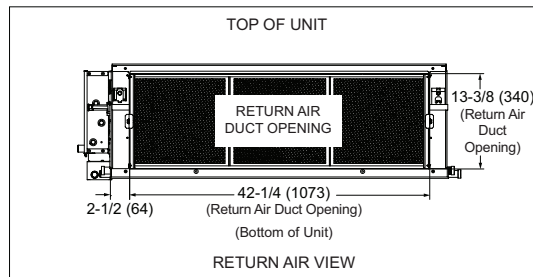
SECTION D-D



SECTION C-C



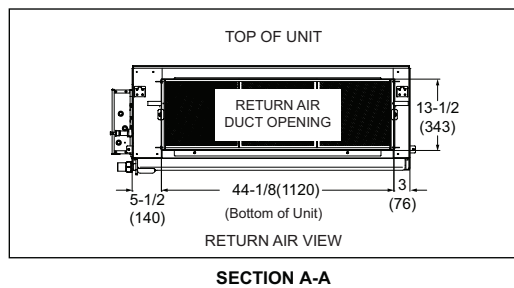
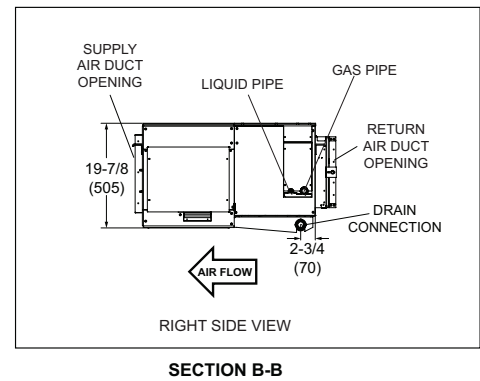
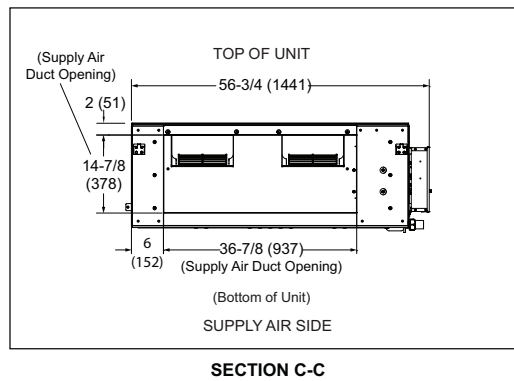
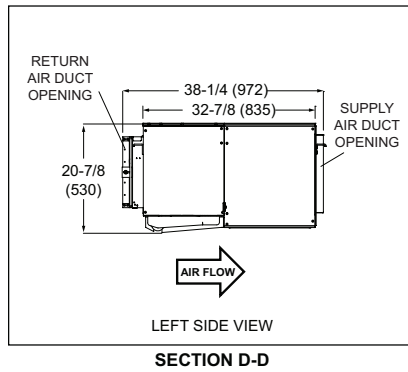
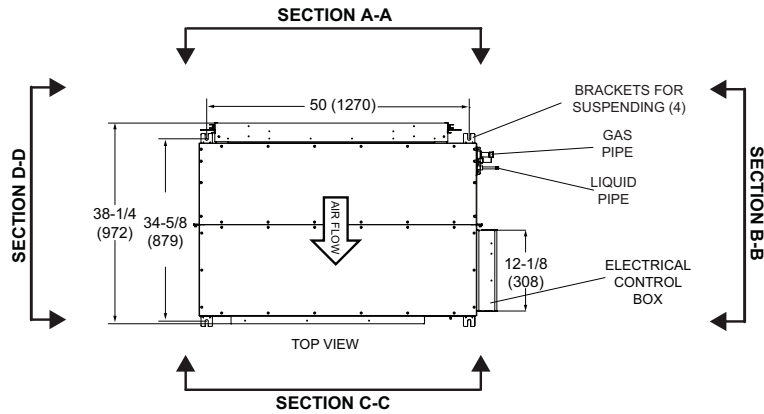
SECTION B-B



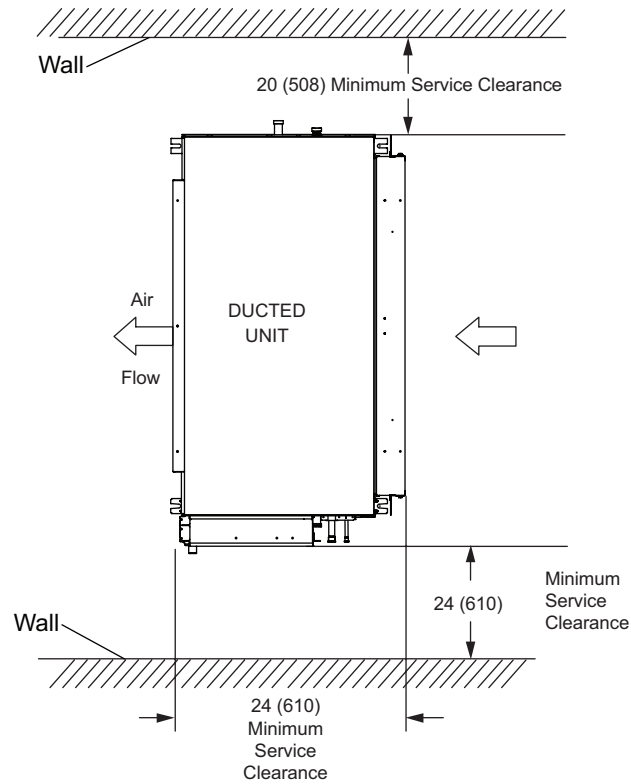
SECTION A-A

DIMENSIONS

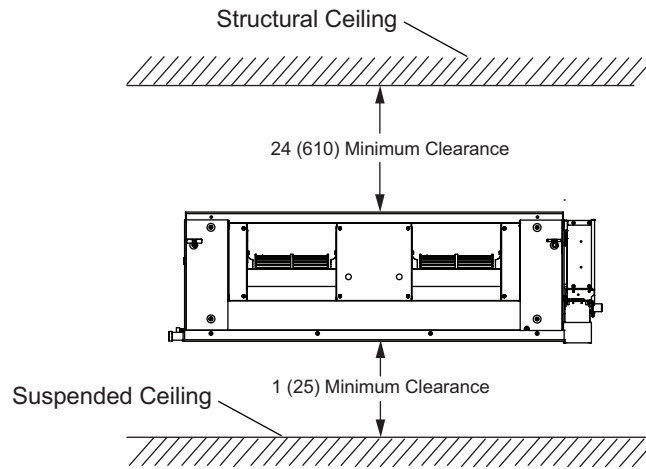
VOSB072, 096



INSTALLATION CLEARANCES



TOP VIEW



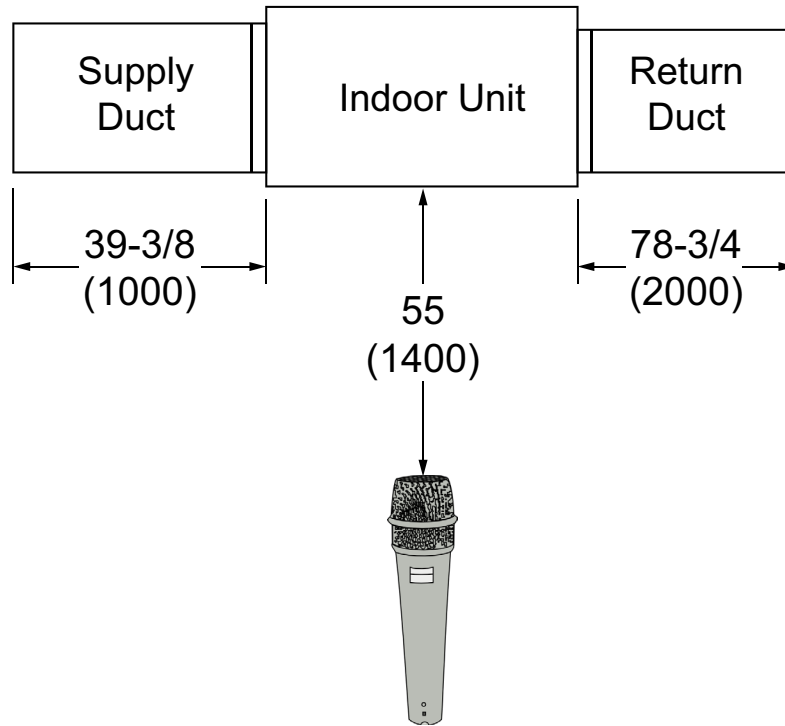
FRONT VIEW

NOTE - No part of the suspended ceiling, or other supports not directly associated with the indoor unit installation, can be fixed to, or touch the indoor unit. Minimum clearances must be observed at all times.

NOTE - Horizontal installation only.

SOUND DATA

SOUND LEVELS



Model No.	Sound Rating Number (dBA)		
	Low	Medium	High
VOSB036H4	49.5	47.8	43.8
VOSB048H4	50.4	47.8	43.4
VOSB054H4	51.4	47.8	43.9
VOSB072H4	52.1	50	48.5
VOSB096H4	53.5	50.8	47.7

SOUND DATA

VOSB036H4

Mode	Fan Speed	Octave Band Sound Power Levels dBA, re 10 ⁻¹² Watts Center Frequency - HZ								Sound Rating Number dBA
		63	125	250	500	1000	2000	4000	8000	
Fan Only	High	45.8	42.0	38.1	35.0	29.9	23.9	16.7	19.7	36.3
	Medium	42.2	40.8	36.2	33.1	27.1	20.8	14.2	18.7	34.2
	Low	38.9	34.8	32.5	29.6	24.0	17.3	12.8	18.0	30.7

NOTES - The octave sound power data does not include tonal corrections. Sound Rating Number tested according to AHRI Standard 370 (includes pure tone penalty).
Sound rating Number is the overall A-Weighted Sound Power Level, (LWA), dB (100 Hz to 10,000 Hz).
63HZ band is not certified and is usually lower than reported.

VOSB048H4

Mode	Fan Speed	Octave Band Sound Power Levels dBA, re 10 ⁻¹² Watts Center Frequency - HZ								Sound Rating Number dBA
		63	125	250	500	1000	2000	4000	8000	
Fan Only	High	45.8	43.0	38.7	35.9	31.4	25.3	16.6	18.8	37.3
	Medium	43.2	39.6	35.5	32.9	27.0	20.8	13.9	19.0	33.9
	Low	38.1	34.4	32.4	29.5	22.5	16.4	12.8	18.1	30.2

NOTES - The octave sound power data does not include tonal corrections. Sound Rating Number tested according to AHRI Standard 370 (includes pure tone penalty).
Sound rating Number is the overall A-Weighted Sound Power Level, (LWA), dB (100 Hz to 10,000 Hz).
63HZ band is not certified and is usually lower than reported.

VOSB054H4

Mode	Fan Speed	Octave Band Sound Power Levels dBA, re 10 ⁻¹² Watts Center Frequency - HZ								Sound Rating Number dBA
		63	125	250	500	1000	2000	4000	8000	
Fan Only	High	48.4	45.4	40.1	37.3	34.0	28.0	19.2	19.8	39.3
	Medium	42.8	41.0	36.5	34.2	29.6	23.3	15.4	20.1	35.4
	Low	38.9	34.8	32.5	29.6	24.0	17.3	12.8	18.0	30.7

NOTES - The octave sound power data does not include tonal corrections. Sound Rating Number tested according to AHRI Standard 370 (includes pure tone penalty).
Sound rating Number is the overall A-Weighted Sound Power Level, (LWA), dB (100 Hz to 10,000 Hz).
63HZ band is not certified and is usually lower than reported.

VOSB072H4

Mode	Fan Speed	Octave Band Sound Power Levels dBA, re 10 ⁻¹² Watts Center Frequency - HZ								Sound Rating Number dBA
		63	125	250	500	1000	2000	4000	8000	
Fan Only	High	51.3	46.4	40.9	40.9	37.0	29.4	22.0	21.6	42
	Medium	50.9	44.6	39.6	39.6	35.2	27.6	20.1	20.7	40.4
	Low	49.0	42.7	37.4	37.0	33.4	24.8	17.9	22.0	38.2

NOTES - The octave sound power data does not include tonal corrections. Sound Rating Number tested according to AHRI Standard 370 (includes pure tone penalty).
Sound rating Number is the overall A-Weighted Sound Power Level, (LWA), dB (100 Hz to 10,000 Hz).
63HZ band is not certified and is usually lower than reported.

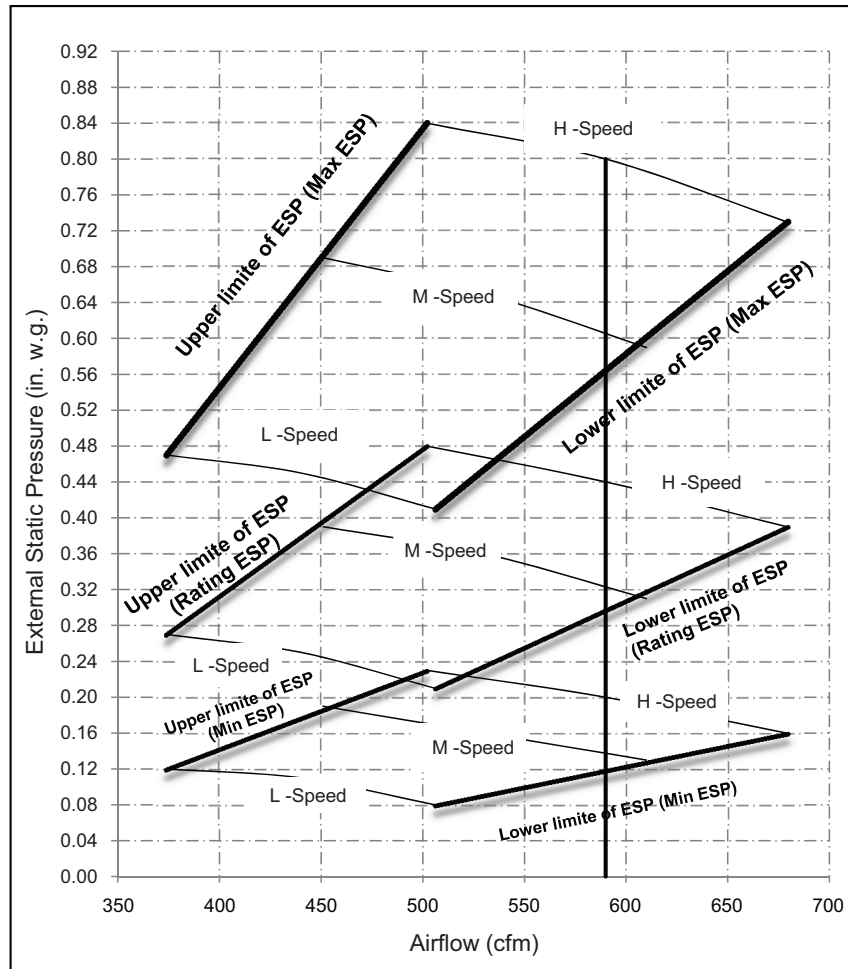
VOSB096H4

Mode	Fan Speed	Octave Band Sound Power Levels dBA, re 10 ⁻¹² Watts Center Frequency - HZ								Sound Rating Number dBA
		63	125	250	500	1000	2000	4000	8000	
Fan Only	High	53.5	48.5	42.7	43.9	38.8	31.7	24.8	22.0	44.3
	Medium	51.4	46.4	40.8	41.1	36.9	29.2	21.9	22.6	42
	Low	50.0	43.9	38.0	38.2	33.9	26.1	18.6	21.4	39.1

NOTES - The octave sound power data does not include tonal corrections. Sound Rating Number tested according to AHRI Standard 370 (includes pure tone penalty).
Sound rating Number is the overall A-Weighted Sound Power Level, (LWA), dB (100 Hz to 10,000 Hz).
63HZ band is not certified and is usually lower than reported.

BLOWER DATA

VOSB036H4



External Static Pressure	Fan Speed	Max Point		Mid Point		Min Point	
		Max. cfm	SP (in wg)	Mid. cfm	SP (in wg)	Min. cfm	SP (in wg)
0.20	H	676	0.16	588	0.20	500	0.23
	M	608	0.13	529	0.16	450	0.19
	L	507	0.08	441	0.11	375	0.12
0.44	H	676	0.39	588	0.44	500	0.48
	M	608	0.31	529	0.36	450	0.39
	L	507	0.21	441	0.25	375	0.27
0.80	H	676	0.73	588	0.80	500	0.84
	M	608	0.59	529	0.65	450	0.69
	L	507	0.41	441	0.45	375	0.47

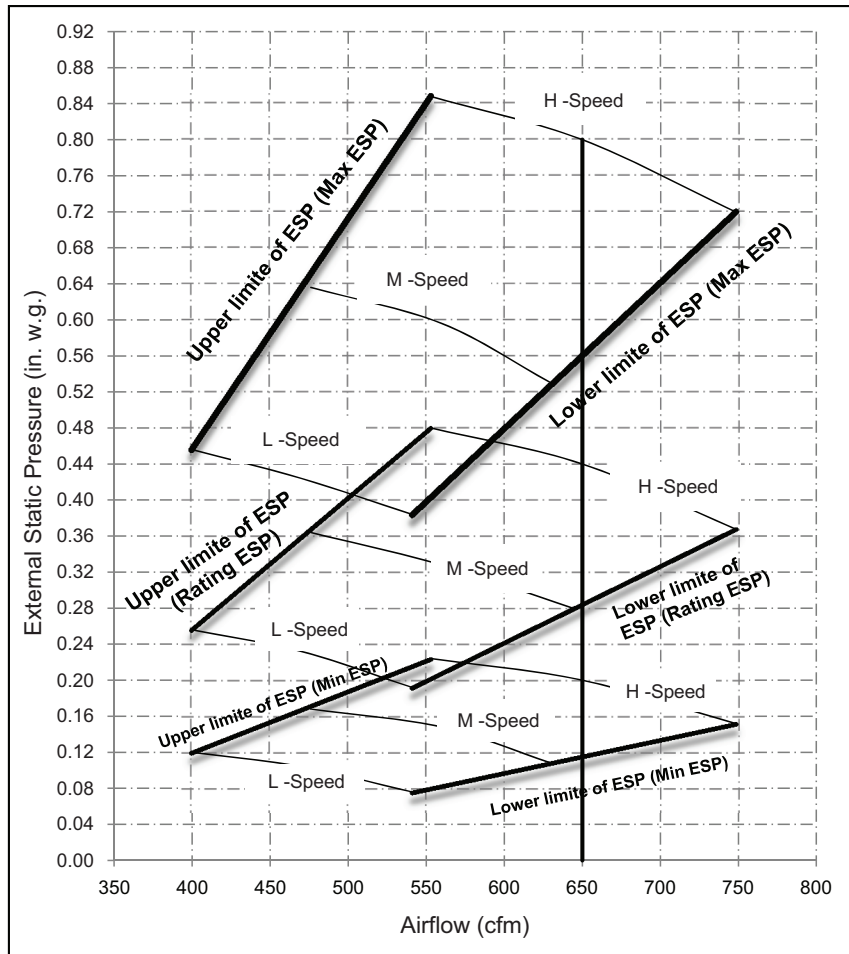
External Static Pressure	Fan Speed	Max Point		Mid Point		Min Point	
		Max. cfm	SP (in wg)	Mid. cfm	SP (in wg)	Min. cfm	SP (in wg)
0.20	H	676	0.16	588	0.20	500	0.23
0.24	H	676	0.20	588	0.24	500	0.27
0.28	H	676	0.24	588	0.28	500	0.31
0.32	H	676	0.28	588	0.32	500	0.35
0.36	H	676	0.32	588	0.36	500	0.39
0.40	H	676	0.36	588	0.40	500	0.43
0.44	H	676	0.39	588	0.44	500	0.48
0.48	H	676	0.43	588	0.48	500	0.52
0.52	H	676	0.47	588	0.52	500	0.56
0.56	H	676	0.50	588	0.56	500	0.60
0.60	H	676	0.54	588	0.60	500	0.64
0.64	H	676	0.57	588	0.64	500	0.68
0.68	H	676	0.61	588	0.68	500	0.72
0.72	H	676	0.65	588	0.72	500	0.76
0.76	H	676	0.69	588	0.76	500	0.80
0.80	H	676	0.73	588	0.80	500	0.84

NOTES:

- There are sixteen External Static Pressure settings.
- The curve shows fan characteristics for MAX. ESP, Rating ESP and MIN. ESP for each External Static Pressure.
- Table above shows corresponding data in the curve.
- Table to the right shows airflow at "H-Speed" in each ESP for field setting. Allowable ESP selections are listed on the first column.
- Select ESP setting according to resistance of a connected duct.
- Controller can be used to change indoor unit fan speed "H", "M", "L".

BLOWER DATA

VOSB048H4



External Static Pressure	Fan Speed	Max Point		Mid Point		Min Point	
		Max. cfm	SP (in wg)	Mid. cfm	SP (in wg)	Min. cfm	SP (in wg)
0.20	H	744	0.15	647	0.20	550	0.22
	M	643	0.11	559	0.15	475	0.17
	L	542	0.08	471	0.10	400	0.12
0.44	H	744	0.37	647	0.44	550	0.48
	M	643	0.28	559	0.33	475	0.36
	L	542	0.19	471	0.23	400	0.26
0.80	H	744	0.72	647	0.80	550	0.85
	M	643	0.54	559	0.60	475	0.64
	L	542	0.38	471	0.42	400	0.46

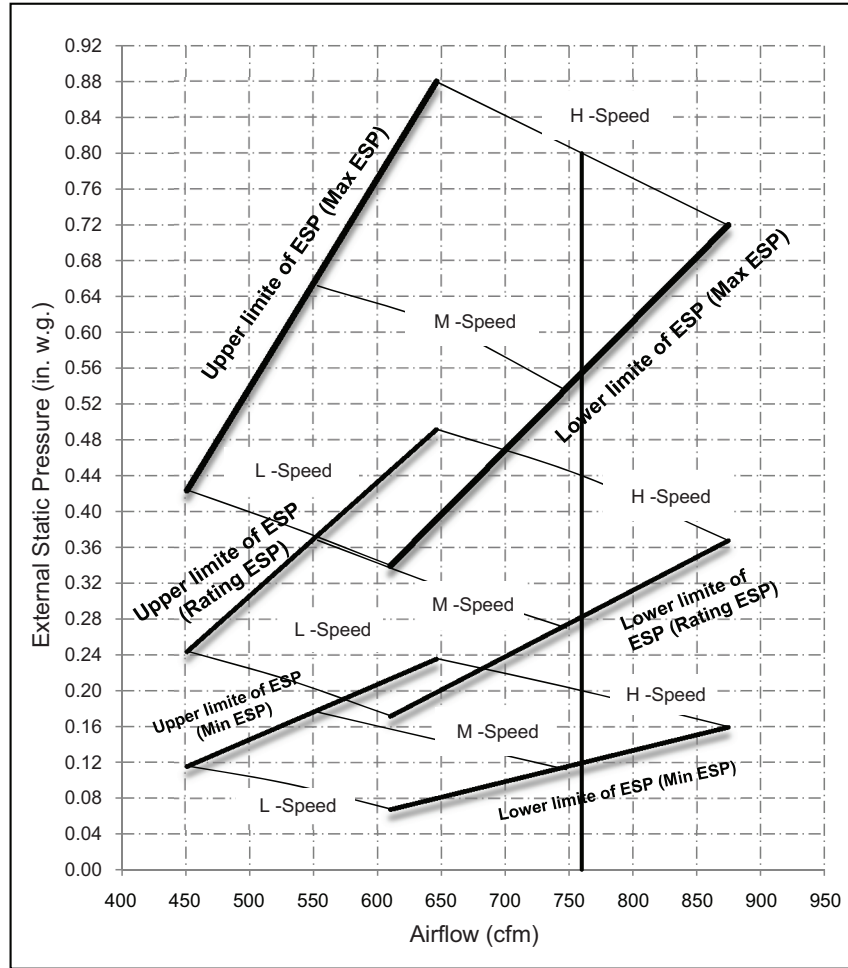
External Static Pressure	Fan Speed	Max Point		Mid Point		Min Point	
		Max. cfm	SP (in wg)	Mid. cfm	SP (in wg)	Min. cfm	SP (in wg)
0.20	H	744	0.15	647	0.20	550	0.22
0.24	H	744	0.19	647	0.24	550	0.26
0.28	H	744	0.23	647	0.28	550	0.30
0.32	H	744	0.27	647	0.32	550	0.34
0.36	H	744	0.31	647	0.36	550	0.38
0.40	H	744	0.34	647	0.40	550	0.43
0.44	H	744	0.37	647	0.44	550	0.48
0.48	H	744	0.41	647	0.48	550	0.52
0.52	H	744	0.45	647	0.52	550	0.56
0.56	H	744	0.49	647	0.56	550	0.60
0.60	H	744	0.53	647	0.60	550	0.64
0.64	H	744	0.57	647	0.64	550	0.68
0.68	H	744	0.60	647	0.68	550	0.73
0.72	H	744	0.64	647	0.72	550	0.77
0.76	H	744	0.68	647	0.76	550	0.81
0.80	H	744	0.72	647	0.80	550	0.85

NOTES:

There are sixteen External Static Pressure settings.
 The curve shows fan characteristics for MAX. ESP, Rating ESP and MIN. ESP for each External Static Pressure.
 Table above shows corresponding data in the curve.
 Table to the right shows airflow at "H-Speed" in each ESP for field setting. Allowable ESP selections are listed on the first column.
 Select ESP setting according to resistance of a connected duct.
 Controller can be used to change indoor unit fan speed "H", "M", "L".

BLOWER DATA

VOSB054H4



External Static Pressure	Fan Speed	Max Point		Mid Point		Min Point	
		Max. cfm	SP (in wg)	Mid. cfm	SP (in wg)	Min. cfm	SP (in wg)
0.20	H	880	0.16	765	0.20	650	0.24
	M	744	0.11	647	0.14	550	0.18
	L	608	0.07	529	0.10	450	0.12
0.44	H	880	0.37	765	0.44	650	0.49
	M	744	0.26	647	0.32	550	0.37
	L	608	0.17	529	0.21	450	0.24
0.80	H	880	0.72	765	0.80	650	0.88
	M	744	0.53	647	0.61	550	0.65
	L	608	0.34	529	0.38	450	0.42

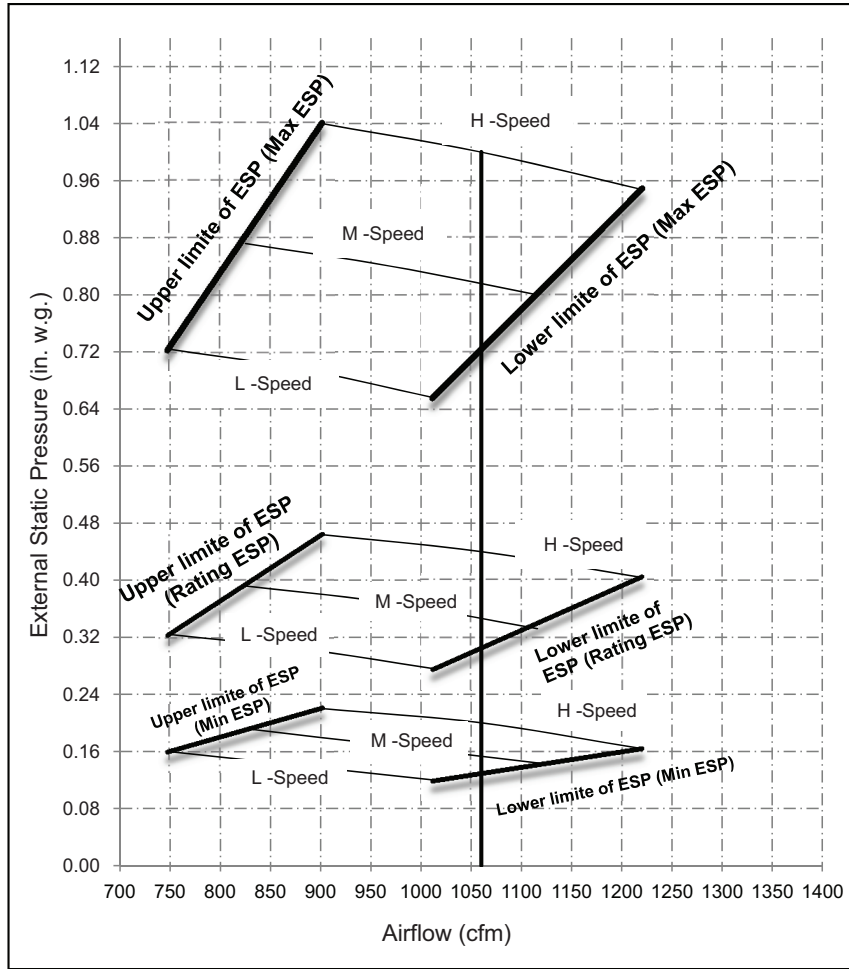
External Static Pressure	Fan Speed	Max Point		Mid Point		Min Point	
		Max. cfm	SP (in wg)	Mid. cfm	SP (in wg)	Min. cfm	SP (in wg)
0.20	H	880	0.16	765	0.20	650	0.24
0.24	H	880	0.20	765	0.24	650	0.28
0.28	H	880	0.24	765	0.28	650	0.32
0.32	H	880	0.28	765	0.32	650	0.36
0.36	H	880	0.31	765	0.36	650	0.40
0.40	H	880	0.34	765	0.40	650	0.44
0.44	H	880	0.37	765	0.44	650	0.49
0.48	H	880	0.41	765	0.48	650	0.53
0.52	H	880	0.45	765	0.52	650	0.57
0.56	H	880	0.49	765	0.56	650	0.61
0.60	H	880	0.53	765	0.60	650	0.66
0.64	H	880	0.57	765	0.64	650	0.71
0.68	H	880	0.60	765	0.68	650	0.76
0.72	H	880	0.64	765	0.72	650	0.80
0.76	H	880	0.68	765	0.76	650	0.84
0.80	H	880	0.72	765	0.80	650	0.88

NOTES:

- There are sixteen External Static Pressure settings.
- The curve shows fan characteristics for MAX. ESP, Rating ESP and MIN. ESP for each External Static Pressure.
- Table above shows corresponding data in the curve.
- Table to the right shows airflow at "H-Speed" in each ESP for field setting. Allowable ESP selections are listed on the first column.
- Select ESP setting according to resistance of a connected duct.
- Controller can be used to change indoor unit fan speed "H", "M", "L".

BLOWER DATA

VOSB072H4



External Static Pressure	Fan Speed	Max Point		Mid Point		Min Point	
		Max. cfm	SP (in wg)	Mid. cfm	SP (in wg)	Min. cfm	SP (in wg)
0.20	H	1218	0.16	1059	0.20	900	0.22
	M	1117	0.14	971	0.17	825	0.19
	L	1014	0.12	882	0.14	750	0.16
0.44	H	1218	0.40	1059	0.44	900	0.46
	M	1117	0.33	971	0.37	825	0.39
	L	1014	0.28	882	0.30	750	0.32
0.80	H	1218	0.95	1059	1.00	900	1.04
	M	1117	0.80	971	0.84	825	0.87
	L	1014	0.66	882	0.70	750	0.72

External Static Pressure	Fan Speed	Max Point		Mid Point		Min Point	
		Max. cfm	SP (in wg)	Mid. cfm	SP (in wg)	Min. cfm	SP (in wg)
0.20	H	1218	0.16	1059	0.20	900	0.22
0.24	H	1218	0.20	1059	0.24	900	0.26
0.28	H	1218	0.24	1059	0.28	900	0.30
0.32	H	1218	0.28	1059	0.32	900	0.34
0.36	H	1218	0.32	1059	0.36	900	0.38
0.40	H	1218	0.36	1059	0.40	900	0.42
0.44	H	1218	0.40	1059	0.44	900	0.46
0.48	H	1218	0.44	1059	0.48	900	0.50
0.52	H	1218	0.48	1059	0.52	900	0.54
0.56	H	1218	0.52	1059	0.56	900	0.58
0.60	H	1218	0.56	1059	0.60	900	0.62
0.64	H	1218	0.60	1059	0.64	900	0.66
0.68	H	1218	0.64	1059	0.68	900	0.70
0.72	H	1218	0.68	1059	0.72	900	0.75
0.76	H	1218	0.71	1059	0.76	900	0.80
0.80	H	1218	0.75	1059	0.80	900	0.84
0.84	H	1218	0.79	1059	0.84	900	0.88
0.88	H	1218	0.83	1059	0.88	900	0.92

NOTES:

There are eighteen External Static Pressure settings.

The curve shows fan characteristics for MAX. ESP, Rating ESP and MIN. ESP for each External Static Pressure.

Table above shows corresponding data in the curve.

Table to the right shows airflow at "H-Speed" in each ESP for field setting.

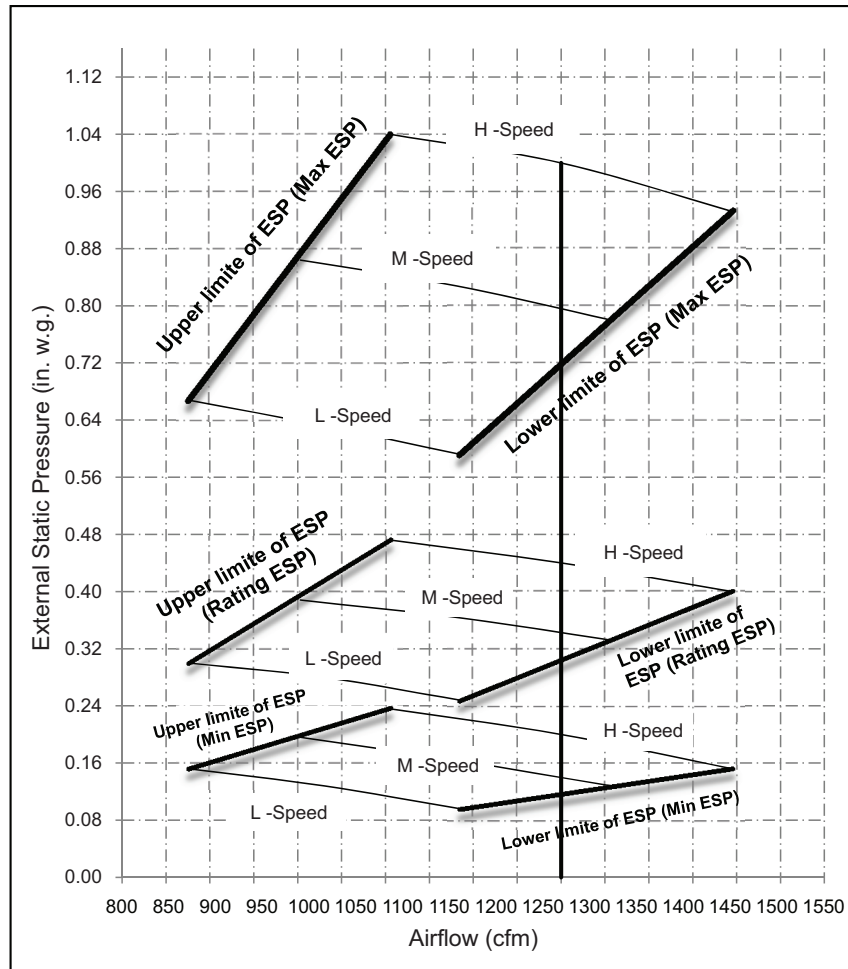
Allowable ESP selections are listed on the first column.

Select ESP setting according to resistance of a connected duct.

Controller can be used to change indoor unit fan speed "H", "M", "L".

BLOWER DATA

VOSB054H4



External Static Pressure	Fan Speed	Max Point		Mid Point		Min Point	
		Max. cfm	SP (in wg)	Mid. cfm	SP (in wg)	Min. cfm	SP (in wg)
0.20	H	1488	0.15	1294	0.20	1100	0.24
	M	1352	0.13	1176	0.16	1000	0.20
	L	1183	0.10	1029	0.13	875	0.15
0.44	H	1488	0.40	1294	0.44	1100	0.47
	M	1352	0.33	1176	0.36	1000	0.39
	L	1183	0.25	1029	0.28	875	0.30
0.80	H	1488	0.93	1294	1.00	1100	1.04
	M	1352	0.78	1176	0.83	1000	0.86
	L	1183	0.59	1029	0.63	875	0.67

External Static Pressure	Fan Speed	Max Point		Mid Point		Min Point	
		Max. cfm	SP (in wg)	Mid. cfm	SP (in wg)	Min. cfm	SP (in wg)
0.20	H	1488	0.15	1294	0.20	1100	0.24
0.24	H	1488	0.19	1294	0.24	1100	0.28
0.28	H	1488	0.23	1294	0.28	1100	0.32
0.32	H	1488	0.27	1294	0.32	1100	0.36
0.36	H	1488	0.31	1294	0.36	1100	0.40
0.40	H	1488	0.35	1294	0.40	1100	0.44
0.44	H	1488	0.40	1294	0.44	1100	0.47
0.48	H	1488	0.44	1294	0.48	1100	0.51
0.52	H	1488	0.48	1294	0.52	1100	0.55
0.56	H	1488	0.52	1294	0.56	1100	0.59
0.60	H	1488	0.56	1294	0.60	1100	0.63
0.64	H	1488	0.60	1294	0.64	1100	0.67
0.68	H	1488	0.64	1294	0.68	1100	0.71
0.72	H	1488	0.67	1294	0.72	1100	0.76
0.76	H	1488	0.70	1294	0.76	1100	0.80
0.80	H	1488	0.73	1294	0.80	1100	0.84
0.84	H	1488	0.77	1294	0.84	1100	0.88
0.88	H	1488	0.81	1294	0.88	1100	0.92
0.92	H	1488	0.85	1294	0.92	1100	0.96
0.96	H	1488	0.89	1294	0.96	1100	1.00
1.00	H	1488	0.93	1294	1.00	1100	1.04

NOTES:

- There are twenty-one External Static Pressure settings.
- The curve shows fan characteristics for MAX. ESP, Rating ESP and MIN. ESP for each External Static Pressure.
- Table above shows corresponding data in the curve.
- Table to the right shows airflow at "H-Speed" in each ESP for field setting. Allowable ESP selections are listed on the first column.
- Select ESP setting according to resistance of a connected duct.
- Controller can be used to change indoor unit fan speed "H", "M", "L".

COOLING CAPACITY

Size	Outdoor Air Temperature °F (Dry Bulb)	Outdoor Air Temperature - °F (Wet Bulb)							
		59	62	68	73	78	82	86	89
		Total Capacity							
		Mbtuh	Mbtuh	Mbtuh	Mbtuh	Mbtuh	Mbtuh	Mbtuh	Mbtuh
036	68	15.09	17.76	---	---	---	---	---	---
	71	14.42	17.19	21.34	---	---	---	---	---
	77	13.30	16.24	20.65	25.06	---	---	---	---
	80	---	15.53	20.13	24.73	---	---	---	---
	84	---	---	19.58	24.39	29.20	---	---	---
	87	---	---	18.97	24.01	29.04	36.00	---	---
	91	---	---	18.31	23.59	28.87	36.00	41.33	---
	95	---	---	---	23.13	28.69	36.00	41.42	43.23
	102	---	---	---	---	28.26	36.00	41.62	43.65
	109	---	---	---	---	27.71	36.00	41.90	44.19
048	68	20.13	23.68	---	---	---	---	---	---
	71	19.22	22.91	28.45	---	---	---	---	---
	77	17.73	21.65	27.53	33.41	---	---	---	---
	80	---	20.72	26.85	32.98	---	---	---	---
	84	---	---	26.11	32.52	38.93	---	---	---
	87	---	---	25.30	32.01	38.73	48.00	---	---
	91	---	---	24.41	31.46	38.50	48.00	55.10	---
	95	---	---	---	30.84	38.26	48.00	55.22	57.63
	102	---	---	---	---	37.67	48.00	55.51	58.20
	109	---	---	---	---	36.95	48.00	55.86	58.92
054	68	22.44	26.39	---	---	---	---	---	---
	71	21.43	25.54	31.71	---	---	---	---	---
	77	19.76	24.13	30.68	37.23	---	---	---	---
	80	---	23.09	29.93	36.76	---	---	---	---
	84	---	---	29.10	36.24	43.39	---	---	---
	87	---	---	28.20	35.68	43.16	54.00	---	---
	91	---	---	27.20	35.06	42.91	54.00	61.41	---
	95	---	---	---	34.38	42.64	54.00	61.55	64.24
	102	---	---	---	---	41.99	54.00	61.86	64.87
	109	---	---	---	---	41.18	54.00	62.26	65.67
072	68	30.20	35.51	---	---	---	---	---	---
	71	28.84	34.37	42.67	---	---	---	---	---
	77	26.60	32.47	41.29	50.10	---	---	---	---
	80	---	31.08	40.28	49.47	---	---	---	---
	84	---	---	39.16	48.78	58.39	---	---	---
	87	---	---	37.94	48.02	58.09	72.00	---	---
	91	---	---	36.60	47.18	57.75	72.00	82.64	---
	95	---	---	---	46.27	57.38	72.00	82.83	86.45
	102	---	---	---	---	56.51	72.00	83.25	87.31
	109	---	---	---	---	55.41	72.00	83.79	88.37
096	68	40.26	47.36	---	---	---	---	---	---
	71	38.46	45.83	56.90	---	---	---	---	---
	77	35.47	43.30	55.05	66.81	---	---	---	---
	80	---	41.44	53.69	65.96	---	---	---	---
	84	---	---	52.22	65.03	77.85	---	---	---
	87	---	---	50.60	64.02	77.45	96.00	---	---
	91	---	---	48.81	62.90	77.00	96.00	110.20	---
	95	---	---	---	61.69	76.52	96.00	110.43	115.27
	102	---	---	---	---	75.35	96.00	111.00	116.40
	109	---	---	---	---	73.89	96.00	111.72	117.83

NOTE - MBH = 1000 BTUs per hour.

HEATING CAPACITY

Size	Outdoor Air Temperature (°F)	Outdoor Air Temperature - °F (Wet Bulb)								
		19	22	26	32	35	39	42	50	57
	Dry Bulb	Total Capacity								
		Mbtuh	Mbtuh	Mbtuh	Mbtuh	Mbtuh	Mbtuh	Mbtuh	Mbtuh	Mbtuh
036	23	33.11	33.11	---	---	---	---	---	---	---
	32	---	---	30.00	---	---	---	---	---	---
	37	---	---	27.44	27.44	27.44	---	---	---	---
	44	---	---	---	---	24.49	24.49	24.49	---	---
	51	---	---	---	---	---	21.95	21.95	21.95	---
	59	---	---	---	---	---	---	19.74	19.74	19.74
048	23	44.14	44.14	---	---	---	---	---	---	---
	32	---	---	40.00	---	---	---	---	---	---
	37	---	---	36.59	36.59	36.59	---	---	---	---
	44	---	---	---	---	32.65	32.65	32.65	---	---
	51	---	---	---	---	---	29.27	29.27	29.27	---
	59	---	---	---	---	---	---	26.33	26.33	26.33
054	23	49.67	49.67	---	---	---	---	---	---	---
	32	---	---	45.00	---	---	---	---	---	---
	37	---	---	41.16	41.16	41.16	---	---	---	---
	44	---	---	---	---	36.73	36.73	36.73	---	---
	51	---	---	---	---	---	32.92	32.92	32.92	---
	59	---	---	---	---	---	---	29.62	29.62	29.62
072	23	62.95	62.95	---	---	---	---	---	---	---
	32	---	---	57.00	---	---	---	---	---	---
	37	---	---	51.88	51.88	51.88	---	---	---	---
	44	---	---	---	---	45.79	45.79	45.79	---	---
	51	---	---	---	---	---	40.40	40.40	40.40	---
	59	---	---	---	---	---	---	35.60	35.60	35.60
096	23	65.15	65.15	---	---	---	---	---	---	---
	32	---	---	59.00	---	---	---	---	---	---
	37	---	---	53.70	53.70	53.70	---	---	---	---
	44	---	---	---	---	47.39	47.39	47.39	---	---
	51	---	---	---	---	---	41.82	41.82	41.82	---
	59	---	---	---	---	---	---	36.85	36.85	36.85

NOTE - MBH = 1000 BTUs per hour.

REVISIONS

Sections	Description of Change
Specifications	Net Heating Capacity revised.



Visit us at www.lennox.com

For the latest technical information, www.lennoxcommercial.com

Contact us at 1-800-4-LENNOX

NOTE - Due to Lennox' ongoing commitment to quality, Specifications, Ratings and Dimensions subject to change without notice and without incurring liability.
Improper installation, adjustment, alteration, service or maintenance can cause property damage or personal injury.
Installation and service must be performed by a qualified installer and servicing agency.

©2021 Lennox Industries, Inc.