



**VPB MINI**

(-3)

Heat Pump Outdoor Units - 60 HZ

**COMMERCIAL  
PRODUCT SPECIFICATIONS**

Bulletin No. 210912  
July 2022  
Supersedes March 2022



**MODEL NUMBER IDENTIFICATION**

**V P B 036 H 4 M - 3 P**

**Brand/Family**  
V = Variable Refrigerant Flow (VRF)

**Unit Type**  
P = Heat Pump Outdoor Unit

**Major Design Sequence**  
B = 2nd Generation

**Nominal Cooling Capacity - Tons**  
036 = 3 tons  
048 = 4 tons  
060 = 5 tons

**Voltage**  
P = 208/230V-1 phase-60hz

**Minor Design Sequence**  
3 = Controls Protocol

**Refrigerant Circuits**  
M = Multiple Circuits

**Refrigerant Type**  
4 = R-410A

**Cooling Efficiency**  
H = High Efficiency

## CONTENTS

AHRI Ratings . . . . .	5
Approvals And Warranty . . . . .	2
Branch Pipe Kits. . . . .	8
Cooling Capacity . . . . .	15
Correction Factors - Cooling And Heating . . . . .	39
Correction Factors - Defrost Derate Capacity . . . . .	39
Dimensions . . . . .	6
Electrical Data . . . . .	4
Features And Benefits . . . . .	3
Header Pipe Kit . . . . .	8
Heating Capacity . . . . .	20
Installation Clearances . . . . .	7
Model Number Identification. . . . .	1
Piping Selection . . . . .	9
Sound Data . . . . .	5
Specifications . . . . .	4

## APPROVALS AND WARRANTY

### APPROVALS

- AHRI Certified to AHRI Standard 210/240
- ETL certified for the U.S. and Canada

### WARRANTY

- Compressor and all Covered Components - Limited ten years for qualifying installations

## FEATURES AND BENEFITS

### OVERVIEW

- Variable-capacity outdoor units modulate the amount of refrigerant needed based on cooling and heating demands allowing for reduced energy usage at partial load conditions
- Heat Pump units provide either heating or cooling to all indoor units

### FEATURES

- **Capacity** - Sizes from 3 to 5 tons. Up to 9 indoor units can be connected to one refrigeration system
- **Compressor** - Twin rotary compressor features high efficiency operation. Balanced for reduced vibration and quiet operation
  - Brush-less DC motor uses powerful Neodymium magnets, which are approximately 15-20 times stronger than ferrite magnets used in conventional AC compressors
  - Designed for R-410A refrigerant
- **DC Inverter Control** - Provides continuous operation, while adjusting capacity according to room temperature
- **Direct Current Outdoor Fan Motor** - Outdoor unit control varies the speed of the outdoor fan motor based on load and tube temperature for minimum energy consumption
  - Standard on all outdoor unit models
- **Outdoor Fan Grille** - Enhanced design reduces sound levels
- **Outdoor Fan Blade Profile** - Aerodynamically designed fan blade increases the airflow rate and reduces vibration and sound
- **Operation Range** - System will operate at temperatures ranging from 5°F to 118°F in cooling mode and -4°F to 80°F in heating mode
- **High Performance Outdoor Coil** - Special fin design pattern reduces air resistance and increases heat transfer
  - Rifled tubing provides superior refrigerant flow resulting in maximum heat transfer
  - Hydrophilic coating reduces condensate build-up and improves water drainage from coil, enhancing heat transfer properties
- **Flexible Piping Design** - Supports extended refrigerant piping and drop lengths
- **Four Way Valve Control** - Valve effects a rapid change in direction of refrigerant flow resulting in quick changeover from cooling to heating and vice versa
- **Electronic Expansion Valve** - Furnished on all models
- **Refrigerant Line and Wiring Connections** - Refrigerant lines and wiring connection entry is available on the front, right side, back side and bottom of cabinet
- **Condensate Drain Outlets** - furnished on unit base
- **High Pressure Switch** - Shuts off unit if abnormal operating conditions cause the discharge pressure to rise above setting
  - Protects compressor from excessive discharge pressure

- **Low Pressure Switch** - Shuts off unit if suction pressure falls below setting. Provides loss of charge and freeze-up protection
  - **Auto and Remote Addressing** - The outdoor unit can automatically distribute addresses to indoor units without any manual settings
    - An optional wireless or wired remote control (not furnished) can be used to inquire and modify each indoor unit's address
  - **Unit Control Board** - Contains all necessary relays and controls to setup, maintain and service the system
    - LED readout aids in system setup, maintenance and servicing
    - LEDs indicate power supply, unit operation, network operation, inverter module operation.
  - **Convenient Communication Wiring** - One set of communication wire is shared among indoor units, outdoor units and the network
  - **Intelligent Soft Start** - Gradually ramps up compressor to speed to conserve energy
  - **Pulse Meter Connections** - Real-time monitoring of energy consumption through the Lennox VRF manager (LVM) Touchscreen Centralized Controller
- NOTE** - Pulse meter is not furnished and must be field provided.
- **Precise Oil Control Technology** - High efficiency centrifugal oil separator (efficiency up to 99%) keeps oil from contaminating high pressure and high temperature refrigerant gas and returns oil to compressor
  - **Control Box** - Contains main control board, DC inverter module, inverter reactor, filter board, outdoor power supply control, DC fan control module, contactor, power transformers and terminal block
  - **Built In Base Pan Heater** - U-shaped heater protects base pan from freezing during low ambient heating operation

### OPTIONAL ACCESSORIES

#### Branch Pipe Kits

- Kit allows connection of multiple indoor units to one outdoor unit
- See page 8 for piping details

#### Header Pipe Kit

- Kit allows connection of up to four indoor units per kit to one outdoor unit
- See page 8 for piping details

#### Hail Guard Kits V8GARD11S11 (14D75)

- Flat design allows outdoor modules to be placed close together
- Painted to match the outdoor unit
- Two guards per box, order one kit per outdoor unit module
- Dimensions (H x W):
  - Back - 48-7/8 x 25-3/8 in. (1241 x 644 mm)
  - Side - 48-7/8 x 9 in. (1241 x 229 mm)

## SPECIFICATIONS

Model No.		VPB036H4	VPB048H4	VPB060H4	
	Nominal Size - Tons	<b>3</b>	<b>4</b>	<b>5</b>	
<b>Sound Pressure Level (dBA)</b>	High speed	Cooling	58	60	60
		Heating	61	62	62
	Low speed	Cooling	41	41	44
		Heating	44	44	44
<b>Refrigerant</b>	Type	R-410A	R-410A	R-410A	
	Charge furnished	8 lbs. 6 oz.	8 lbs. 6 oz.	8 lbs. 6 oz.	
<b>Compressor</b>	Type	Twin Rotor	Twin Rotor	Twin Rotor	
	No. of Compressors	1	1	1	
	Crankcase heater - W	27	27	27	
	Refrigerant oil type	RB74AF	RB74AF	RB74AF	
	Refrigerant oil charge	47.3 oz. + 8.5 oz.	47.3 oz. + 8.5 oz.	47.3 oz. + 8.5 oz.	
	<b>Connections</b>	Liquid pipe (in.) flare	3/8	3/8	3/8
Gas pipe (in.) flare		3/4	3/4	3/4	
Total pipe length (actual) - ft.		492	492	492	
Longest pipe length (actual) - ft.		296	296	296	
Piping lengths and heights between indoor and outdoor units		See Piping Selection Details on page 9 - 14			
<b>Outdoor Fan</b>	Quantity, Type and Material	(2) Axial ASG20	(2) Axial ASG20	(2) Axial ASG20	
	Diameter - in.	20	20	20	
	Total air volume - cfm	4100	4100	4100	
<b>Outdoor Coil</b>	Number of rows	2	2	2	
	Tube pitch (a) × row pitch (b) - in.	7/8 x 3/4	7/8 x 3/4	7/8 x 3/4	
	Fin spacing - in.	1/16	1/16	1/16	
	Fin type	Hydrophilic aluminum	Hydrophilic aluminum	Hydrophilic aluminum	
	Tube outside diameter - in.	5/16	5/16	5/16	
	Tube type	Rifled copper tubing	Rifled copper tubing	Rifled copper tubing	
	Coil dimension (L × H) - in.	50-1/4 x 34-1/4	50-1/4 x 34-1/4	50-1/4 x 34-1/4	
	Quantity	1	1	1	
	Number of circuits	11	11	11	
<b>Design Pressure</b>	PSIG	650/250	650/250	650/250	
<b>Shipping Data</b>	Net/Shipping weight	220/243	220/243	220/243	
<b>Connectable Indoor Units</b>	Total capacity (%)	45 to 130	45 to 130	45 to 130	
	Maximum quantity	5 units	7 units	9 units	

## ELECTRICAL DATA

Model No.		VPB036H4	VPB048H4	VPB060H4
	Line voltage data - 60 Hz - 1 phase	<b>208/230V</b>	<b>208/230V</b>	<b>208/230V</b>
	<sup>1</sup> Maximum Overcurrent Protection (amps)	40	40	45
	<sup>2</sup> Minimum circuit ampacity	36	38	40
<b>Compressor</b>	No. of compressors	1	1	1
	Rated load amps	26.5	28.2	30.0
<b>Outdoor Fan Motor</b>	Motor type	DC	DC	DC
	No. of motors	2	2	2
	Full load amps	(2) 1.2	(2) 1.2	(2) 1.2
	Output - W	(2) 90	(2) 90	(2) 90

NOTE - Extremes of operating range are plus and minus 10% of line voltage.

<sup>1</sup> HACR type circuit breaker or fuse.

<sup>2</sup> Refer to National or Canadian Electrical Code manual to determine wire, fuse and disconnect size requirements.

## AHRI RATINGS

Outdoor Unit Model No.	System Type	Cooling Btuh	High Temperature Heating Btuh	Low Temperature Heating Btuh	SEER	EER	HSPF (Region IV)	AHRI Reference Number
VPB036H4	Ducted	36,000	40,000	25,000	17.8	11.9	10.40	204631569
	Non-Ducted	36,000	40,000	25,000	19.2	12.1	11.40	204631570
	Mixed Ducted and Non-Ducted	36,000	40,000	25,000	18.5	12	10.90	204631575
VPB048H4	Ducted	48,000	52,500	34,000	17.8	10.4	10.50	204631571
	Non-Ducted	48,000	52,500	34,000	19	11	11.00	204631572
	Mixed Ducted and Non-Ducted	48,000	52,500	34,000	18.4	10.7	10.75	204631576
VPB060H4	Ducted	60,000	66,000	42,000	17.6	9.3	10.50	204631573
	Non-Ducted	60,000	66,000	42,000	18.8	9.5	10.60	204631574
	Mixed Ducted and Non-Ducted	60,000	66,000	42,000	18.2	9.4	10.55	204631577

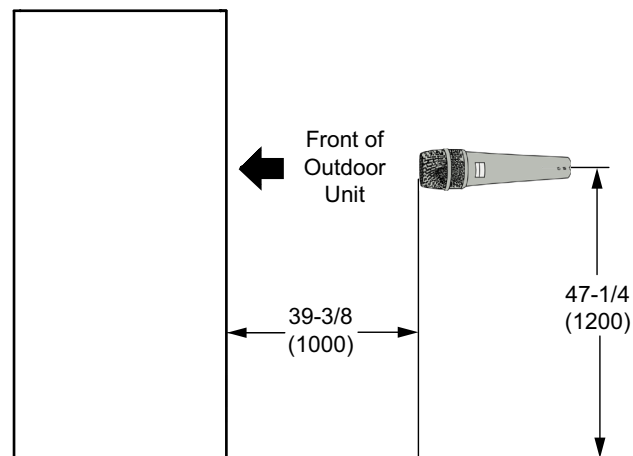
NOTE - Per AHRI, the certified ratings for systems are valid for all combinations of indoor units with the specific outdoor units listed above and in the AHRI Directory of Certified Equipment. Please visit <http://www.ahridirectory.org> for further details and latest updates.

<sup>1</sup> Ratings are AHRI certified to AHRI Standard 210/240 with Addenda 1 and 2;

- Cooling Ratings - 80°F dry bulb/67°F wet bulb entering indoor coil air and 95°F dry bulb/75°F wet bulb outdoor air temperature.
- High Temperature Heating Ratings - 70°F dry bulb/60°F wet bulb entering indoor coil air and 47°F dry bulb/43°F wet bulb outdoor air temperature.
- Low Temperature Heating Ratings - 70°F dry bulb/60°F wet bulb entering indoor coil air and 17°F dry bulb/15°F wet bulb outdoor air temperature.

## SOUND DATA

### SOUND PRESSURE LEVELS

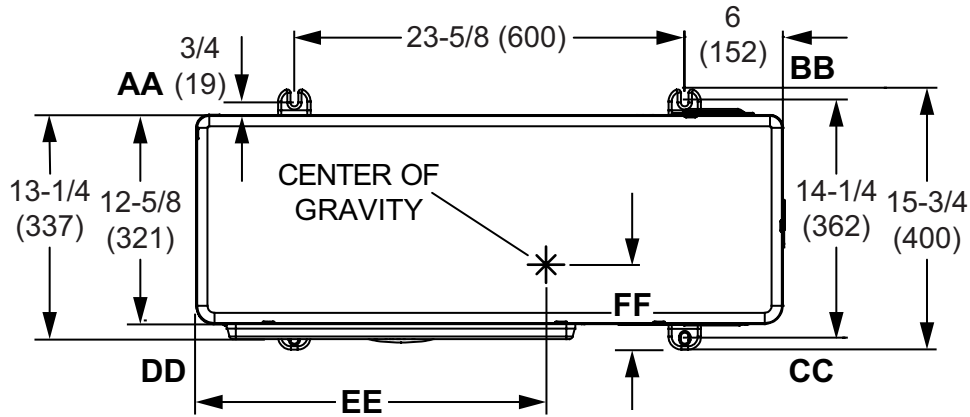


Model		Sound Pressure Level (dBA)	
		High Speed	Low Speed
VPB036H4	Cooling	58	41
	Heating	61	44
VPB048H4	Cooling	60	41
	Heating	62	44
VPB060H4	Cooling	60	44
	Heating	62	44

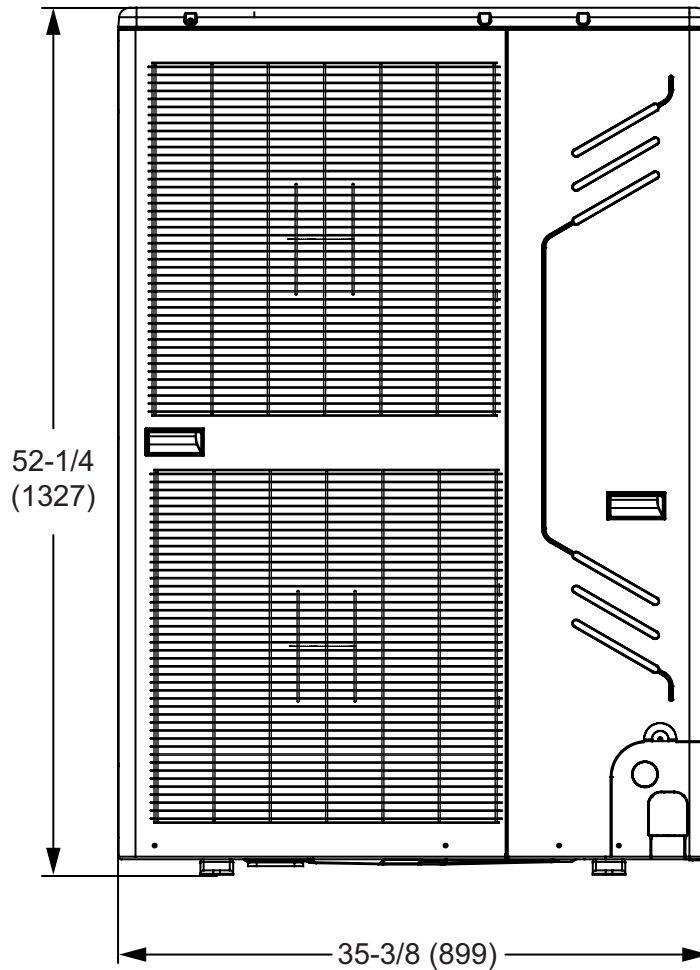
## DIMENSIONS

### CORNER WEIGHTS

Model No.	CORNER WEIGHTS								CENTER OF GRAVITY			
	AA		BB		CC		DD		EE		FF	
	lbs.	kg	lbs.	kg	lbs.	kg	lbs.	kg	in.	mm	in.	mm
All Models	40	18	63	29	72	33	45	21	21-5/8	549	7-3/8	187



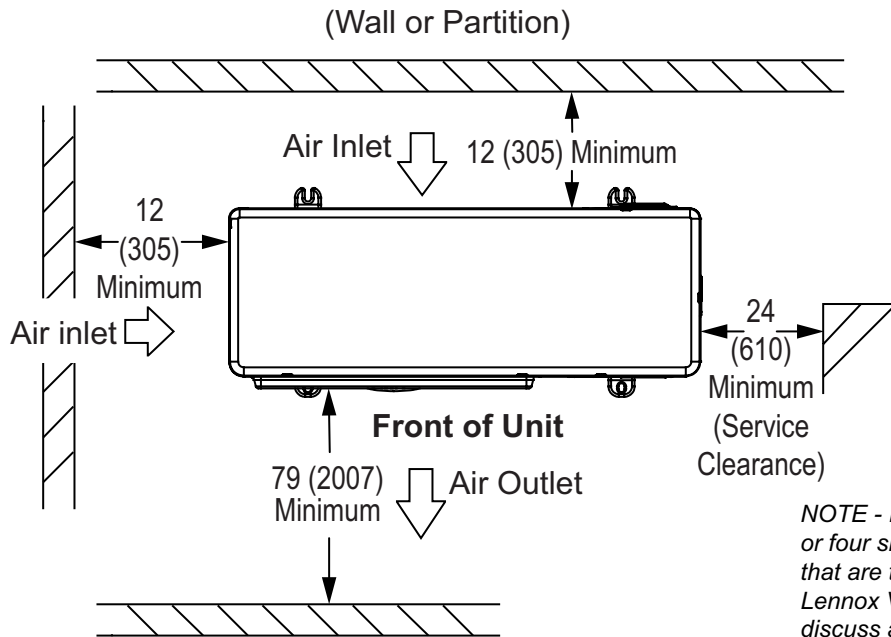
TOP VIEW



FRONT VIEW

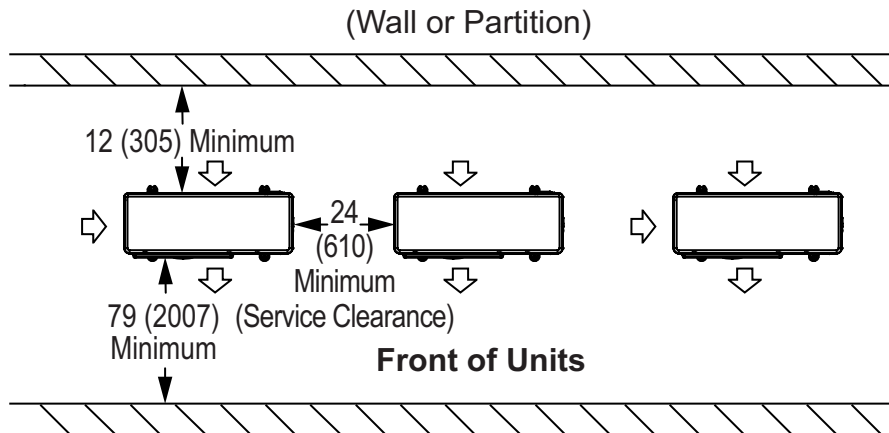
# INSTALLATION CLEARANCES

## Single Unit Installation

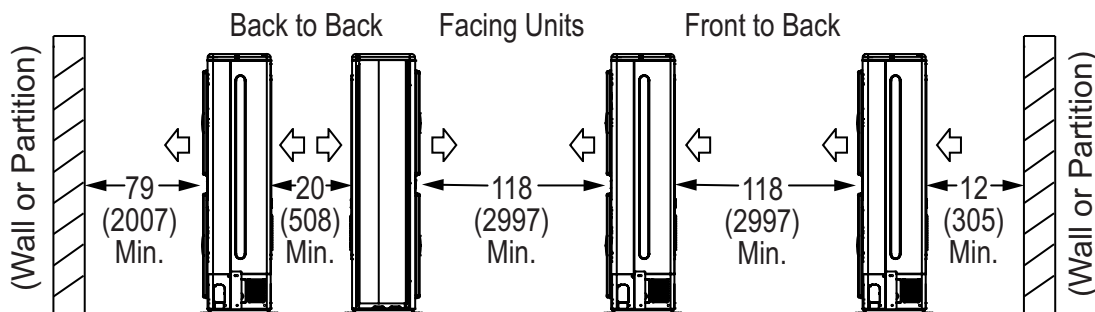


NOTE - 24 in. (610 mm) clearance required on top of unit.

## Parallel Units Side by Side



## Parallel Units Back to Back, Facing and Front to Back



## BRANCH PIPE KITS

Branch Pipe Kit	Gas Side Joints (inch)	Liquid Side Joints (inch)	Insulation Material (furnished)
<b>V8IDBP01 (12A45)</b>			<p>(2 sets)</p>
<b>V8IDBP02 (12A46)</b>			<p>(2 sets)</p>

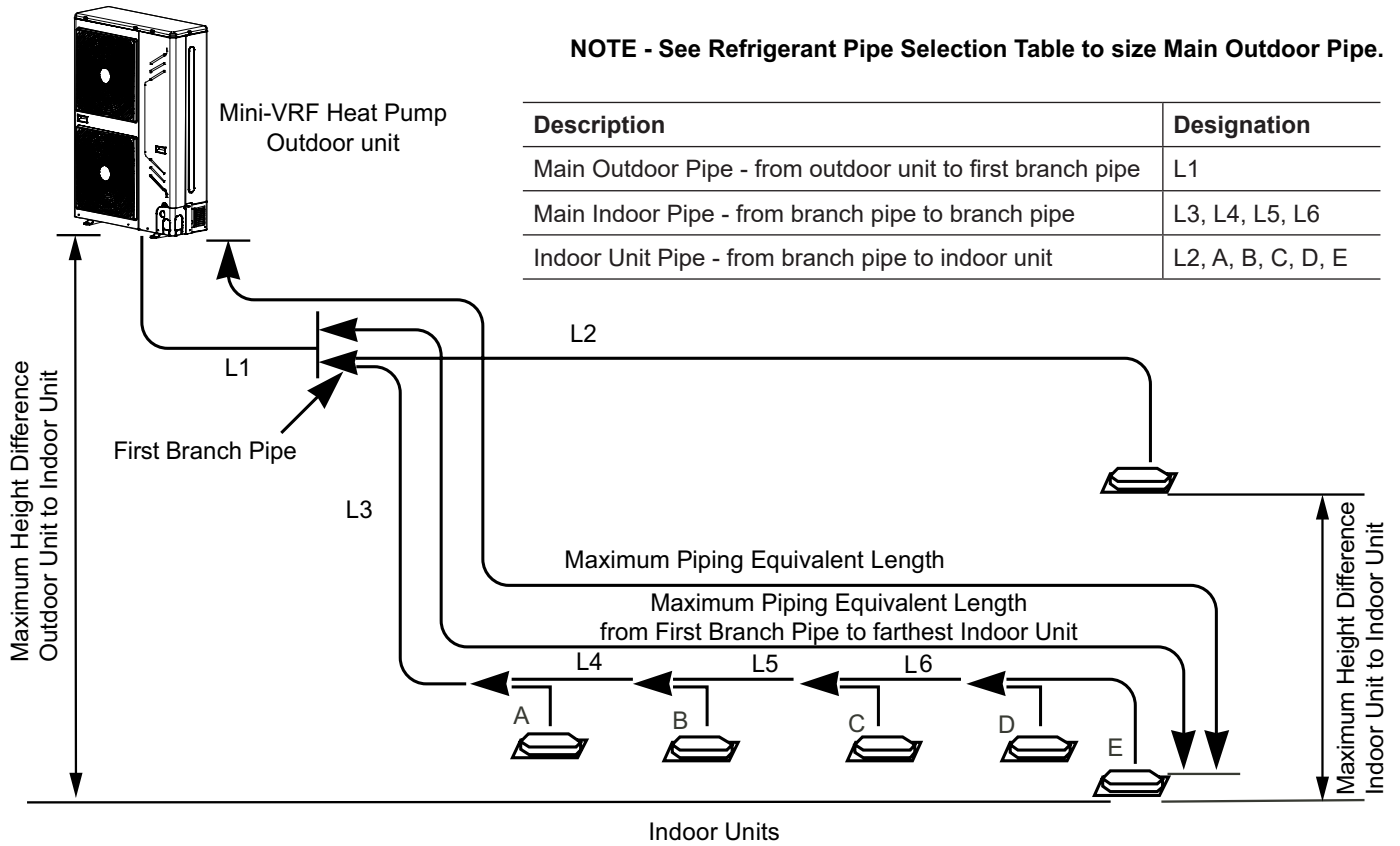
## HEADER PIPE KIT

Header Pipe Kit	Gas Pipe Header	Liquid Pipe Header	Insulation
<b>Four Port Kit V8HDRK04 (17U29)</b>			



## PIPING SELECTION

### Maximum Permitted Refrigerant Pipe Length and Maximum Height Difference - With Branch Pipe



Length and Maximum Height Difference		Maximum Permitted Length	Piping	
Pipe Length	Total Piping Length (Actual)	≤492 ft. (150 m)	L1+L2+L3+L4+L5+L6 +A+B+C+D+E	
	Maximum Piping Length	Actual Length	≤296 ft. (90 m)	
		Equivalent Length	≤328 ft. (100 m)	L1+L3+L4+L5+L6+E
	Pipe length (from the first line branch pipe to farthest indoor unit)	≤131 ft. (40 m)	L3+L4+L5+L6+E	
Maximum Height Difference	Indoor Unit to Outdoor Unit Maximum Height Difference	Outdoor Unit Up	≤164 ft. (50 m)	---
		Outdoor Unit Down	≤131 ft. (40 m)	---
	Indoor Unit to Indoor Unit Maximum Height Difference	≤49 ft. (15 m)	---	

NOTE - Each branch pipe equals 20 in. (508 mm) equivalent straight pipe length.

## PIPING SELECTION

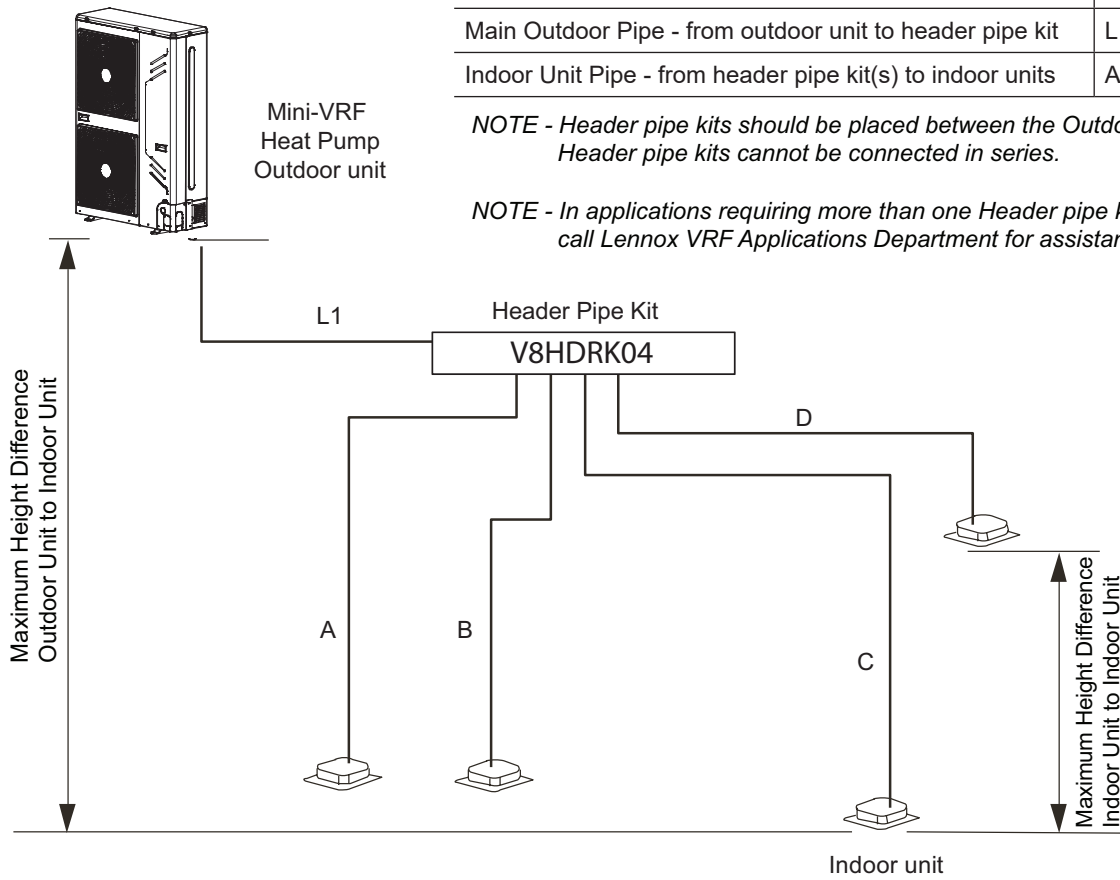
### Maximum Permitted Refrigerant Pipe Length and Maximum Height Difference - With One Header Pipe Kit

**NOTE - See Refrigerant Pipe Selection Table to size Main Outdoor Pipe.**

Description	Designation
Main Outdoor Pipe - from outdoor unit to header pipe kit	L1
Indoor Unit Pipe - from header pipe kit(s) to indoor units	A, B, C, D

*NOTE - Header pipe kits should be placed between the Outdoor Unit and Indoor Units. Header pipe kits cannot be connected in series.*

*NOTE - In applications requiring more than one Header pipe kit, call Lennox VRF Applications Department for assistance.*



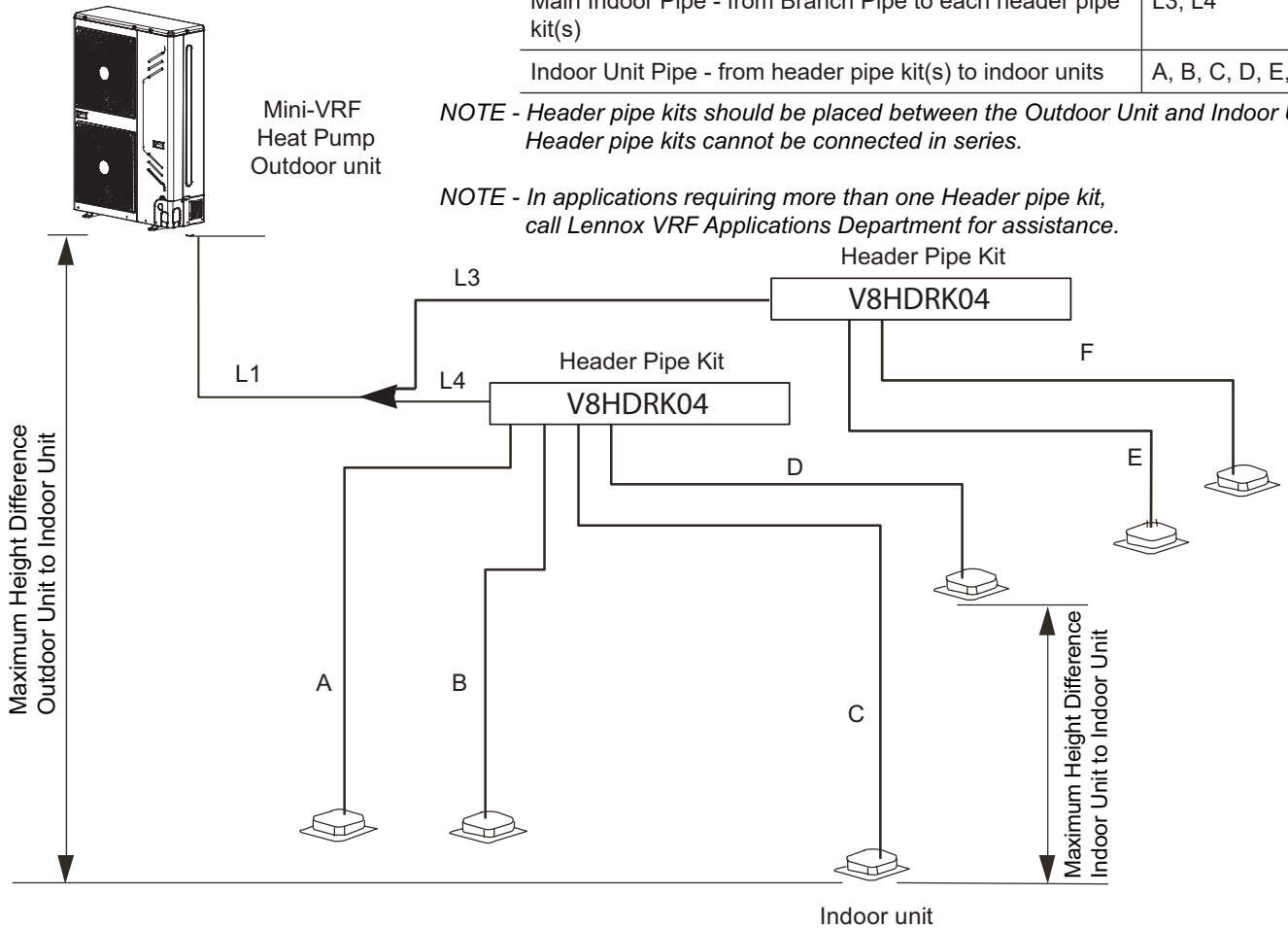
Length and Maximum Height Difference		Maximum Permitted Length	Piping	
Pipe Length	Total Piping Length (Actual)	≤492 ft. (150 m)	L1+A+B+C+D	
	Maximum Piping Length	Actual Length	≤296 ft. (90 m)	
		Equivalent Length	≤328 ft. (100 m)	L1+A, L1+B, L1+C, L1+D
Pipe length (from the header pipe kit to each indoor unit)		65.6 ft. (20 m)	A, B, C, D ≤ 65.6 ft. (20 m) each	
Maximum Height Difference	Indoor Unit to Outdoor Unit Maximum Height Difference	Outdoor Unit Up	≤164 ft. (50 m)	---
		Outdoor Unit Down	≤131 ft. (40 m)	---
	Indoor Unit to Indoor Unit Maximum Height Difference		≤49 ft. (15 m)	---

# PIPING SELECTION

## Maximum Permitted Refrigerant Pipe Length and Maximum Height Difference - With Two Header Pipe Kits

**NOTE - See Refrigerant Pipe Selection Table to size Main Outdoor Pipe.**

Description	Designation
Main Outdoor Pipe - from outdoor unit to first Branch Pipe	L1
Main Indoor Pipe - from Branch Pipe to each header pipe kit(s)	L3, L4
Indoor Unit Pipe - from header pipe kit(s) to indoor units	A, B, C, D, E, F



**NOTE - Header pipe kits should be placed between the Outdoor Unit and Indoor Units. Header pipe kits cannot be connected in series.**

**NOTE - In applications requiring more than one Header pipe kit, call Lennox VRF Applications Department for assistance.**

Length and Maximum Height Difference		Maximum Permitted Length	Piping	
Pipe Length	Total Piping Length (Actual)	≤492 ft. (150 m)	L1+A+B+C+D+E+F+L3+L4	
	Maximum Piping Length	Actual Length	≤296 ft. (90 m)	
		Equivalent Length	≤328 ft. (100 m)	L1+L4+A, L1+L4+B, L1+L4+C, L1+L4+D, L1+L3+E, L1+L3+F
	Pipe length from the first Branch Pipe to each indoor unit.	65.6 ft. (20 m)	L4+A, L4+B, L4+C, L4+D, L3+E, L3+F ≤ 65.6 ft. (20 m) each	
Maximum Height Difference	Indoor Unit to Outdoor Unit Maximum Height Difference	Outdoor Unit Up	≤164 ft. (50 m)	---
		Outdoor Unit Down	≤131 ft. (40 m)	---
	Indoor Unit to Indoor Unit Maximum Height Difference	≤49 ft. (15 m)	---	

NOTE - Each branch pipe equals 20 in. (508 mm) equivalent straight pipe length.

# PIPING SELECTION

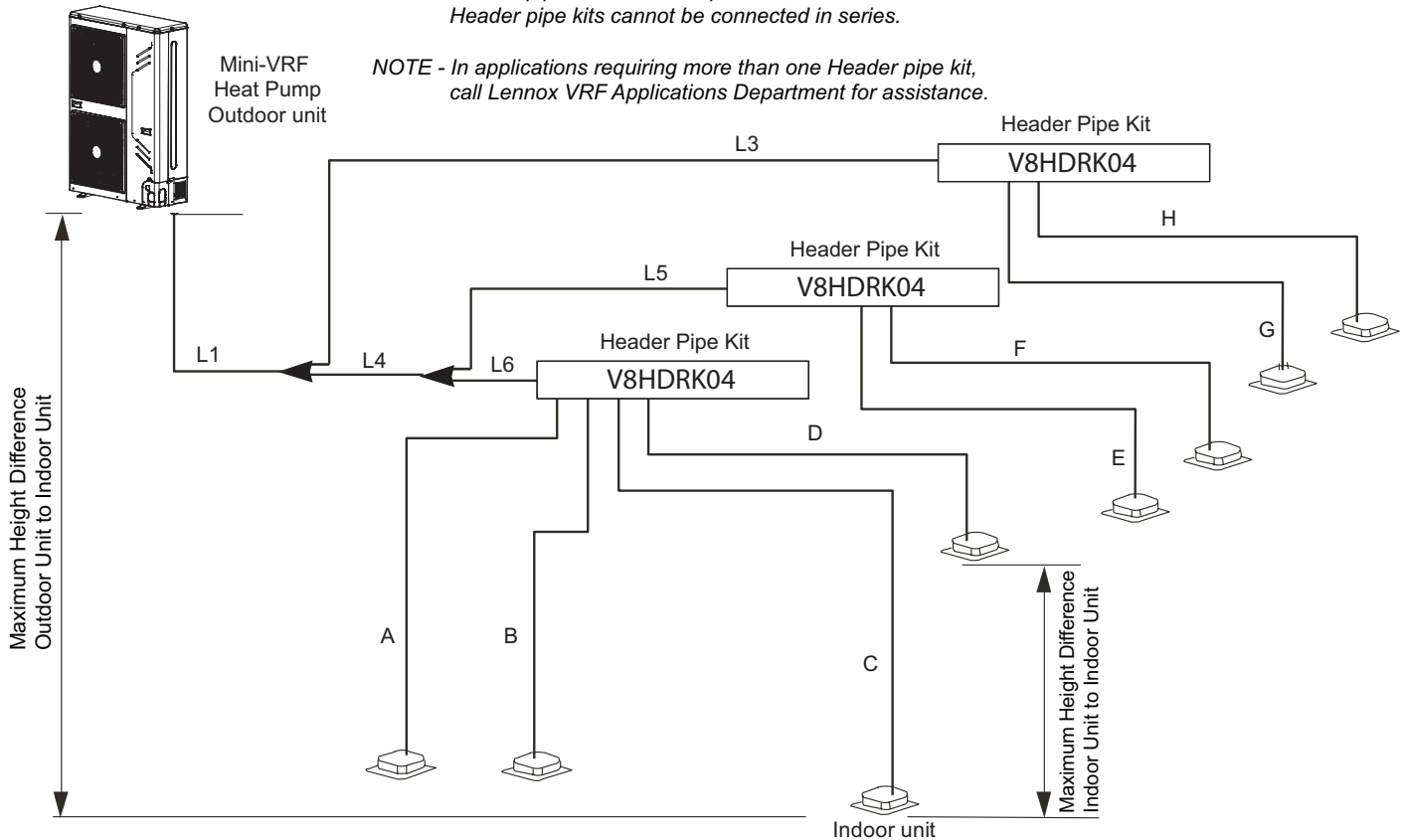
## Maximum Permitted Refrigerant Pipe Length and Maximum Height Difference - With Three Header Pipe Kits

**NOTE - See Refrigerant Pipe Selection Table to size Main Outdoor Pipe.**

Description	Designation
Main Outdoor Pipe - from outdoor unit to first Branch Pipe	L1
Main Indoor Pipe - from Branch Pipe to each header pipe kit(s) or Branch Pipe	L3, L4, L5, L6
Indoor Unit Pipe - from header pipe kit(s) to indoor units	A, B, C, D, E, F, G, H

**NOTE - Header pipe kits should be placed between the Outdoor Unit and Indoor Units.  
Header pipe kits cannot be connected in series.**

**NOTE - In applications requiring more than one Header pipe kit, call Lennox VRF Applications Department for assistance.**



Length and Maximum Height Difference		Maximum Permitted Length	Piping	
Pipe Length	Total Piping Length (Actual)	≤492 ft. (150 m)	L1+A+B+C+D+E+F+G+H+L3+L4+L5+L6	
	Maximum Piping Length	Actual Length	≤296 ft. (90 m)	L1+L4+L6+A, L1+L4+L6+B, L1+L4+L6+C, L1+L4+L6+D, L1+L4+L5+E, L1+L4+L5+F, L1+L3+H, L1+L3+G
		Equivalent Length	≤328 ft. (100 m)	
	Pipe length from the first Branch Pipe to each indoor unit.	65.6 ft. (20 m)	L4+L6+A, L4+L6+B, L4+L6+C, L4+L6+D, L4+L5+E, L4+L5+F, L3+H, L3+G ≤ 65.6 ft. (20 m) each	
Maximum Height Difference	Indoor Unit to Outdoor Unit Maximum Height Difference	Outdoor Unit Up	≤164 ft. (50 m)	---
		Outdoor Unit Down	≤131 ft. (40 m)	---
	Indoor Unit to Indoor Unit Maximum Height Difference	≤49 ft. (15 m)	---	

NOTE - Each branch pipe equals 20 in. (508 mm) equivalent straight pipe length

## PIPING SELECTION

### MAIN OUTDOOR UNIT PIPE (L1) DIAMETER AND PIPE LENGTH BASED ON TOTAL CAPACITY

Model No.	Capacity	Liquid Pipe Length	Main Gas Pipe Diameter Required	Main Liquid Pipe Diameter Required	Maximum Number of Indoor Units	Total Capacity of Indoor Units Combination Ratio Range	Indoor Unit Branch Pipe
VPB036H4	3 Ton	Less than 148 ft. (45 m)	<sup>1</sup> 5/8 in.	3/8 in.	5	45 to 130%	V8IDBP01
VPB048H4	4 Ton	Less than 148 ft. (45 m)	<sup>1</sup> 5/8 in.	3/8 in.	7	45 to 130%	
VPB060H4	5 Ton	Less than 148 ft. (45 m)	3/4 in.	3/8 in.	9	45 to 130%	V8IDBP01
		More than 148 ft. (45 m)	7/8 in.				V8IDBP02

<sup>1</sup> Field provided 5/8 x 3/4 in. adaptor required for gas pipe connection.

### INDOOR MAIN PIPE SELECTION (L3, L4, L5, L6)

Downstream Indoor Unit Capacity (Btuh)	Gas Pipe Diameter	Liquid Pipe Diameter	Indoor Unit Branch Pipe
A < 56,700	5/8 in.	3/8 in.	V8IDBP01
56,700 ≤ 78,500	3/4 in.	3/8 in.	V8IDBP01

### INDOOR PIPE SELECTION (L2, A, B, C, D, E, F, G, H)

Indoor Unit Type	Indoor Unit Size	Gas Pipe Diameter	Liquid Pipe Diameter
V22B Compact 360° Cassette	007, 009, 012, 015	1/2 in.	1/4 in.
	009, 012, 015	1/2 in.	1/4 in.
V33B High Efficiency 360° Cassette	018, 024, 030, 036, 048	5/8 in.	3/8 in.
	007, 009, 012, 015	1/2 in.	1/4 in.
VOWA One-Way Cassette	018, 024	5/8 in.	3/8 in.
	012, 015	1/2 in.	1/4 in.
VCFB Ceiling/Floor Mount Non-Ducted	018, 024, 030, 036, 048	5/8 in.	3/8 in.
	012, 015	1/2 in.	1/4 in.
VHIB Concealed High Static Ducted	024, 030, 036, 048, 054	5/8 in.	3/8 in.
	072	7/8 in.	3/8 in.
VOSB Outside Air Unit	036, 048, 054	5/8 in.	3/8 in.
VMDB Concealed Medium Static Ducted	007, 009, 012, 015	1/2 in.	1/4 in.
	018, 024, 030, 036, 048	5/8 in.	3/8 in.
VSCA/VSEA Floor Standing Units (Cased/Exposed)	007, 009, 012, 015, 018	1/2 in.	1/4 in.
	024	5/8 in.	3/8 in.
VVCB Vertical Air Handler	012	1/2 in.	1/4 in.
	018, 024, 030, 036, 048, 054	5/8 in.	3/8 in.
	060	7/8 in.	3/8 in.
VWMB Wall-Mounted Non-Ducted	007, 009, 012, 015	1/2 in.	1/4 in.
	018, 024, 030	5/8 in.	3/8 in.

#### NOTES:

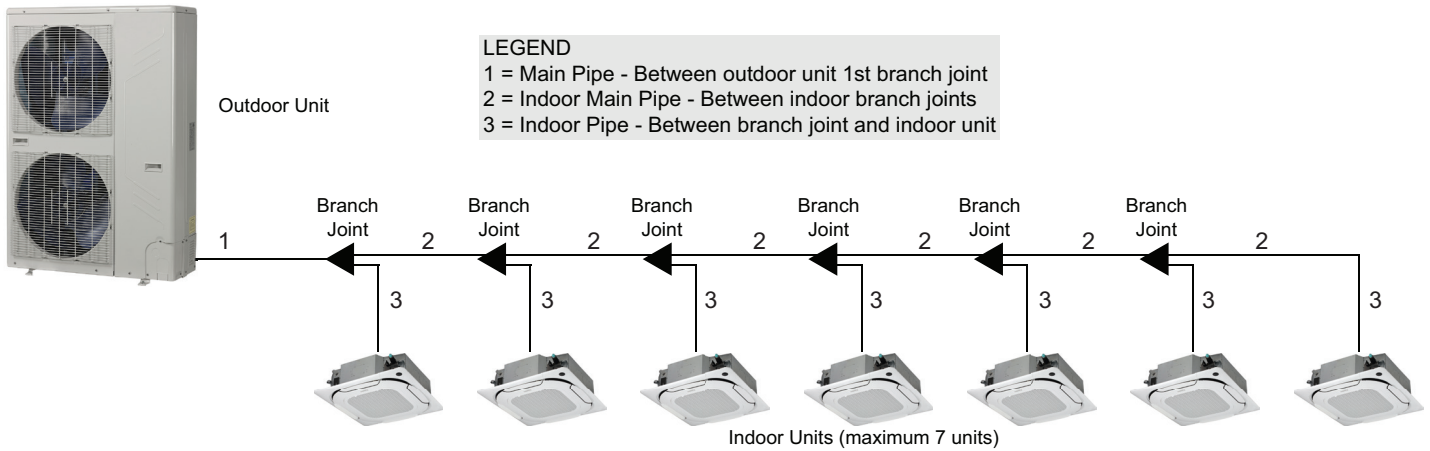
If the total capacity of the indoor units is greater than 100% of the capacity of the outdoor unit, individual indoor unit capacities will be reduced.

### INDOOR UNIT COMBINATION RATIO

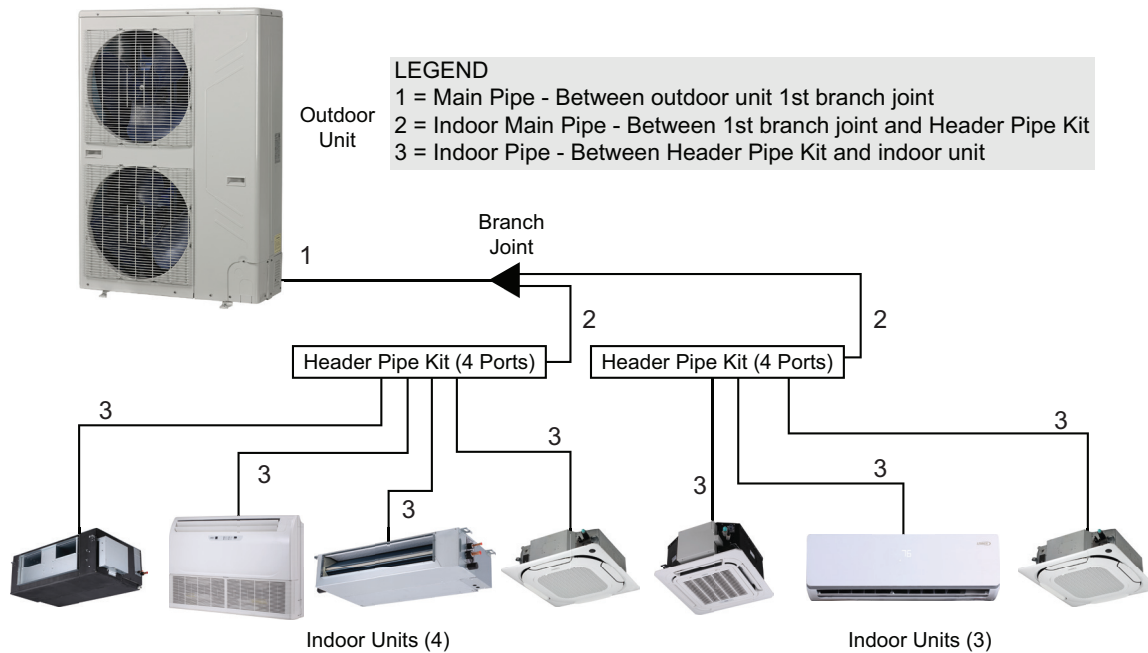
Indoor Units	Combination Ratio	Total Piping Length
Standard indoor units (Except VVCB and VHIB)	45% - 130%	≤ 492 ft.
Standard indoor units (Includes VVCB or VHIB)	45% - 100%	≤ 492 ft.
	100% - 130%	≤ 328 ft.
Contains AHU Control Kit	45% - 100%	≤ 492 ft.
Only VOSB indoor unit	45% - 100%	≤ 492 ft.
VOSB and other types of indoor units	Not allowed	Not allowed

# PIPING SELECTION

## SYSTEM PIPING WITH BRANCH JOINTS



## SYSTEM PIPING WITH TWO BRANCH BOXES



**COOLING CAPACITY**

**VPB036H4**

Combination (%)	Outdoor Temperature °F (Dry Bulb)	Indoor Temperature - °F (Dry Bulb / Wet Bulb)											
		67 / 57		71 / 60		75 / 63		80 / 67		85 / 71		90 / 75	
		Total Cap.	Power Input	Total Cap.	Power Input	Total Cap.	Power Input	Total Cap.	Power Input	Total Cap.	Power Input	Total Cap.	Power Input
		MBH	kW	MBH	kW	MBH	kW	MBH	kW	MBH	kW	MBH	kW
130%	5	27.46	1.32	33.26	1.56	39.06	1.80	46.80	2.14	49.51	2.20	49.96	2.13
	10	27.46	1.34	33.26	1.58	39.06	1.83	46.80	2.17	48.82	2.19	49.27	2.12
	15	27.46	1.36	33.26	1.60	39.06	1.85	46.80	2.20	48.13	2.19	48.58	2.12
	20	27.46	1.37	33.26	1.62	39.06	1.88	46.80	2.23	47.44	2.18	47.89	2.11
	25	27.46	1.39	33.26	1.65	39.06	1.91	46.30	2.24	46.75	2.17	47.20	2.10
	30	27.46	1.41	33.26	1.67	39.06	1.94	45.61	2.23	46.06	2.16	46.51	2.08
	35	27.46	1.43	33.26	1.69	39.06	1.97	44.92	2.23	45.37	2.16	45.82	2.07
	40	27.46	1.45	33.26	1.72	39.06	2.00	44.23	2.22	44.68	2.15	45.13	2.06
	45	27.46	1.47	33.26	1.75	39.06	2.03	43.53	2.21	43.99	2.14	44.44	2.05
	50	27.46	1.49	33.26	1.77	39.06	2.06	42.84	2.21	43.29	2.13	43.74	2.04
	55	27.46	1.52	33.26	1.80	39.06	2.10	42.15	2.20	42.60	2.13	43.05	2.20
	60	27.46	1.54	33.26	1.83	39.06	2.14	41.46	2.22	41.91	2.30	42.36	2.38
	65	27.46	1.57	33.26	1.86	39.06	2.22	40.77	2.39	41.22	2.48	41.67	2.56
	70	27.46	1.59	33.26	1.98	39.06	2.42	40.08	2.56	40.53	2.65	40.98	2.75
	75	27.46	1.71	33.26	2.15	38.94	2.63	39.39	2.73	39.84	2.83	40.29	2.93
	80	27.46	1.85	33.26	2.33	38.25	2.79	38.70	2.90	39.15	3.01	39.60	3.12
	85	27.46	2.00	33.26	2.52	37.56	2.96	38.01	3.08	38.46	3.19	38.91	3.31
	90	27.46	2.15	33.26	2.71	36.87	3.12	37.32	3.25	37.77	3.38	38.13	3.48
95	27.46	2.31	33.26	2.92	36.18	3.29	36.63	3.43	37.01	3.54	37.06	3.56	
100	27.46	2.48	33.26	3.14	35.49	3.46	35.88	3.59	35.93	3.61	35.98	3.62	
105	27.46	2.66	33.26	3.38	34.76	3.62	34.81	3.64	34.85	3.66	34.90	3.67	
110	27.46	2.84	31.15	3.33	31.75	3.41	32.55	3.52	33.35	3.63	33.82	3.71	
115	23.88	2.58	24.48	2.65	25.08	2.73	25.88	2.83	26.68	2.94	27.48	3.04	
120%	5	25.35	1.24	30.70	1.45	36.06	1.67	43.20	1.98	49.27	2.24	49.68	2.18
	10	25.35	1.26	30.70	1.47	36.06	1.70	43.20	2.01	48.58	2.23	48.99	2.17
	15	25.35	1.27	30.70	1.49	36.06	1.72	43.20	2.04	47.88	2.22	48.30	2.16
	20	25.35	1.29	30.70	1.51	36.06	1.75	43.20	2.07	47.19	2.22	47.61	2.15
	25	25.35	1.30	30.70	1.53	36.06	1.77	43.20	2.10	46.50	2.21	46.92	2.14
	30	25.35	1.32	30.70	1.55	36.06	1.80	43.20	2.13	45.81	2.20	46.23	2.13
	35	25.35	1.34	30.70	1.58	36.06	1.83	43.20	2.17	45.12	2.20	45.54	2.13
	40	25.35	1.36	30.70	1.60	36.06	1.85	43.20	2.20	44.43	2.19	44.85	2.12
	45	25.35	1.38	30.70	1.62	36.06	1.88	43.20	2.24	43.74	2.18	44.16	2.10
	50	25.35	1.40	30.70	1.65	36.06	1.91	42.63	2.24	43.05	2.17	43.47	2.09
	55	25.35	1.42	30.70	1.68	36.06	1.95	41.94	2.23	42.36	2.16	42.78	2.16
	60	25.35	1.44	30.70	1.70	36.06	1.98	41.25	2.22	41.67	2.26	42.08	2.33
	65	25.35	1.46	30.70	1.73	36.06	2.01	40.56	2.35	40.98	2.43	41.39	2.51
	70	25.35	1.48	30.70	1.79	36.06	2.19	39.87	2.52	40.29	2.60	40.70	2.69
	75	25.35	1.57	30.70	1.95	36.06	2.38	39.18	2.68	39.60	2.78	40.01	2.87
	80	25.35	1.69	30.70	2.11	36.06	2.58	38.49	2.85	38.91	2.95	39.32	3.05
	85	25.35	1.82	30.70	2.28	36.06	2.79	37.80	3.02	38.22	3.13	38.63	3.24
	90	25.35	1.96	30.70	2.46	36.06	3.01	37.11	3.19	37.53	3.31	37.94	3.42
95	25.35	2.11	30.70	2.64	36.00	3.24	36.42	3.37	36.83	3.49	37.06	3.56	
100	25.35	2.26	30.70	2.84	35.31	3.41	35.73	3.54	35.93	3.61	35.98	3.62	
105	25.35	2.42	30.70	3.05	34.62	3.58	34.81	3.64	34.85	3.66	34.90	3.67	
110	25.35	2.59	30.70	3.27	31.75	3.41	32.55	3.52	33.35	3.63	33.82	3.71	
115	23.88	2.58	24.48	2.65	25.08	2.73	25.88	2.83	26.68	2.94	27.48	3.04	

NOTE - Power Input = Compressor + Outdoor Fan Motor.  
 MBH = 1000 BTUs per hour.

**COOLING CAPACITY**

**VPB036H4**

Combination (%)	Outdoor Temperature °F (Dry Bulb)	Indoor Temperature - °F (Dry Bulb / Wet Bulb)											
		67 / 57		71 / 60		75 / 63		80 / 67		85 / 71		90 / 75	
		Total Cap.	Power Input	Total Cap.	Power Input	Total Cap.	Power Input	Total Cap.	Power Input	Total Cap.	Power Input	Total Cap.	Power Input
		MBH	kW	MBH	kW	MBH	kW	MBH	kW	MBH	kW	MBH	kW
110%	5	23.24	1.16	28.15	1.35	33.05	1.55	39.60	1.83	46.15	2.11	49.40	2.22
	10	23.24	1.18	28.15	1.37	33.05	1.57	39.60	1.85	46.15	2.14	48.71	2.21
	15	23.24	1.19	28.15	1.38	33.05	1.59	39.60	1.88	46.15	2.17	48.02	2.20
	20	23.24	1.20	28.15	1.40	33.05	1.61	39.60	1.91	46.15	2.20	47.33	2.20
	25	23.24	1.22	28.15	1.42	33.05	1.64	39.60	1.93	46.15	2.24	46.64	2.19
	30	23.24	1.23	28.15	1.44	33.05	1.66	39.60	1.96	45.57	2.24	45.95	2.18
	35	23.24	1.25	28.15	1.46	33.05	1.68	39.60	1.99	44.88	2.23	45.26	2.17
	40	23.24	1.26	28.15	1.48	33.05	1.71	39.60	2.03	44.19	2.23	44.57	2.16
	45	23.24	1.28	28.15	1.50	33.05	1.74	39.60	2.06	43.50	2.22	43.88	2.16
	50	23.24	1.30	28.15	1.53	33.05	1.76	39.60	2.09	42.81	2.21	43.19	2.15
	55	23.24	1.32	28.15	1.55	33.05	1.79	39.60	2.13	42.12	2.20	42.50	2.14
	60	23.24	1.34	28.15	1.57	33.05	1.82	39.60	2.16	41.42	2.22	41.81	2.28
	65	23.24	1.36	28.15	1.60	33.05	1.85	39.60	2.26	40.73	2.38	41.12	2.46
	70	23.24	1.38	28.15	1.63	33.05	1.96	39.60	2.47	40.04	2.55	40.42	2.63
	75	23.24	1.43	28.15	1.76	33.05	2.13	38.97	2.64	39.35	2.72	39.73	2.81
	80	23.24	1.54	28.15	1.90	33.05	2.31	38.28	2.80	38.66	2.89	39.04	2.98
	85	23.24	1.66	28.15	2.05	33.05	2.50	37.59	2.97	37.97	3.07	38.35	3.16
	90	23.24	1.79	28.15	2.21	33.05	2.69	36.90	3.13	37.28	3.24	37.66	3.35
	95	23.24	1.91	28.15	2.38	33.05	2.90	36.21	3.30	36.59	3.42	36.97	3.53
	100	23.24	2.05	28.15	2.55	33.05	3.12	35.52	3.47	35.90	3.60	35.98	3.62
105	23.24	2.19	28.15	2.74	33.05	3.35	34.81	3.64	34.85	3.66	34.90	3.67	
110	23.24	2.34	28.15	2.93	31.75	3.41	32.55	3.52	33.35	3.63	33.82	3.71	
115	23.24	2.50	24.48	2.65	25.08	2.73	25.88	2.83	26.68	2.94	27.48	3.04	
100%	5	21.12	1.08	25.59	1.25	30.05	1.43	36.00	1.67	41.95	1.93	47.90	2.19
	10	21.12	1.10	25.59	1.27	30.05	1.44	36.00	1.70	41.95	1.95	47.90	2.22
	15	21.12	1.11	25.59	1.28	30.05	1.46	36.00	1.72	41.95	1.98	47.74	2.24
	20	21.12	1.12	25.59	1.30	30.05	1.48	36.00	1.74	41.95	2.01	47.05	2.24
	25	21.12	1.13	25.59	1.31	30.05	1.50	36.00	1.77	41.95	2.04	46.36	2.23
	30	21.12	1.15	25.59	1.33	30.05	1.53	36.00	1.80	41.95	2.07	45.67	2.22
	35	21.12	1.16	25.59	1.35	30.05	1.55	36.00	1.82	41.95	2.11	44.98	2.22
	40	21.12	1.18	25.59	1.37	30.05	1.57	36.00	1.85	41.95	2.14	44.29	2.21
	45	21.12	1.19	25.59	1.39	30.05	1.59	36.00	1.88	41.95	2.18	43.60	2.20
	50	21.12	1.21	25.59	1.41	30.05	1.62	36.00	1.91	41.95	2.21	42.91	2.19
	55	21.12	1.22	25.59	1.43	30.05	1.64	36.00	1.94	41.87	2.24	42.22	2.19
	60	21.12	1.24	25.59	1.45	30.05	1.67	36.00	1.98	41.18	2.24	41.53	2.24
	65	21.12	1.26	25.59	1.47	30.05	1.70	36.00	2.01	40.49	2.34	40.84	2.40
	70	21.12	1.27	25.59	1.49	30.05	1.75	36.00	2.18	39.80	2.50	40.15	2.57
	75	21.12	1.30	25.59	1.58	30.05	1.90	36.00	2.37	39.11	2.67	39.46	2.74
	80	21.12	1.40	25.59	1.71	30.05	2.06	36.00	2.57	38.42	2.83	38.76	2.92
	85	21.12	1.51	25.59	1.84	30.05	2.22	36.00	2.78	37.73	3.00	38.07	3.09
	90	21.12	1.62	25.59	1.98	30.05	2.39	36.00	3.01	37.04	3.17	37.38	3.27
	<b>95</b>	21.12	1.73	25.59	2.13	30.05	2.57	<b>36.00</b>	<b>3.24</b>	36.35	3.34	36.69	3.45
	100	21.12	1.85	25.59	2.28	30.05	2.76	35.31	3.41	35.66	3.52	35.98	3.62
105	21.12	1.98	25.59	2.44	30.05	2.97	34.62	3.58	34.85	3.66	34.90	3.67	
110	21.12	2.11	25.59	2.61	30.05	3.18	32.55	3.52	33.35	3.63	33.82	3.71	
115	21.12	2.25	24.48	2.65	25.08	2.73	25.88	2.83	26.68	2.94	27.48	3.04	

NOTE - Power Input = Compressor + Outdoor Fan Motor.  
MBH = 1000 BTUs per hour.



**COOLING CAPACITY**

**VPB036H4**

Combination (%)	Outdoor Temperature °F (Dry Bulb)	Indoor Temperature - °F (Dry Bulb / Wet Bulb)											
		67 / 57		71 / 60		75 / 63		80 / 67		85 / 71		90 / 75	
		Total Cap.	Power Input	Total Cap.	Power Input	Total Cap.	Power Input	Total Cap.	Power Input	Total Cap.	Power Input	Total Cap.	Power Input
		MBH	kW	MBH	kW	MBH	kW	MBH	kW	MBH	kW	MBH	kW
90%	5	19.01	1.01	23.03	1.15	27.04	1.31	32.40	1.52	37.76	1.75	43.11	1.98
	10	19.01	1.02	23.03	1.17	27.04	1.32	32.40	1.54	37.76	1.77	43.11	2.01
	15	19.01	1.03	23.03	1.18	27.04	1.34	32.40	1.56	37.76	1.80	43.11	2.04
	20	19.01	1.04	23.03	1.19	27.04	1.36	32.40	1.58	37.76	1.82	43.11	2.07
	25	19.01	1.05	23.03	1.21	27.04	1.37	32.40	1.61	37.76	1.85	43.11	2.10
	30	19.01	1.06	23.03	1.22	27.04	1.39	32.40	1.63	37.76	1.88	43.11	2.13
	35	19.01	1.08	23.03	1.24	27.04	1.41	32.40	1.65	37.76	1.91	43.11	2.16
	40	19.01	1.09	23.03	1.26	27.04	1.43	32.40	1.68	37.76	1.94	43.11	2.20
	45	19.01	1.10	23.03	1.27	27.04	1.45	32.40	1.71	37.76	1.97	43.11	2.23
	50	19.01	1.11	23.03	1.29	27.04	1.47	32.40	1.73	37.76	2.00	42.63	2.24
	55	19.01	1.13	23.03	1.31	27.04	1.50	32.40	1.76	37.76	2.03	41.94	2.23
	60	19.01	1.14	23.03	1.33	27.04	1.52	32.40	1.79	37.76	2.07	41.25	2.23
	65	19.01	1.16	23.03	1.35	27.04	1.54	32.40	1.82	37.76	2.12	40.56	2.35
	70	19.01	1.17	23.03	1.37	27.04	1.57	32.40	1.91	37.76	2.32	39.87	2.51
	75	19.01	1.19	23.03	1.42	27.04	1.68	32.40	2.08	37.76	2.52	39.18	2.68
	80	19.01	1.27	23.03	1.53	27.04	1.82	32.40	2.25	37.76	2.74	38.49	2.85
	85	19.01	1.36	23.03	1.65	27.04	1.96	32.40	2.43	37.48	2.94	37.80	3.02
	90	19.01	1.46	23.03	1.77	27.04	2.11	32.40	2.63	36.79	3.10	37.10	3.19
	95	19.01	1.56	23.03	1.90	27.04	2.27	32.40	2.83	36.10	3.27	36.41	3.36
	100	19.01	1.67	23.03	2.03	27.04	2.43	32.40	3.04	35.41	3.44	35.72	3.54
105	19.01	1.78	23.03	2.17	27.04	2.61	32.40	3.26	34.72	3.61	34.90	3.67	
110	19.01	1.90	23.03	2.32	27.04	2.79	32.40	3.50	33.35	3.63	33.82	3.71	
115	19.01	2.02	23.03	2.48	25.08	2.73	25.88	2.83	26.68	2.94	27.48	3.04	
80%	5	16.90	0.94	20.47	1.06	24.04	1.19	28.80	1.38	33.56	1.57	38.32	1.77
	10	16.90	0.95	20.47	1.07	24.04	1.21	28.80	1.39	33.56	1.59	38.32	1.80
	15	16.90	0.95	20.47	1.08	24.04	1.22	28.80	1.41	33.56	1.61	38.32	1.82
	20	16.90	0.96	20.47	1.10	24.04	1.23	28.80	1.43	33.56	1.64	38.32	1.85
	25	16.90	0.97	20.47	1.11	24.04	1.25	28.80	1.45	33.56	1.66	38.32	1.87
	30	16.90	0.98	20.47	1.12	24.04	1.27	28.80	1.47	33.56	1.68	38.32	1.90
	35	16.90	0.99	20.47	1.13	24.04	1.28	28.80	1.49	33.56	1.71	38.32	1.93
	40	16.90	1.00	20.47	1.15	24.04	1.30	28.80	1.51	33.56	1.73	38.32	1.96
	45	16.90	1.02	20.47	1.16	24.04	1.32	28.80	1.53	33.56	1.76	38.32	1.99
	50	16.90	1.03	20.47	1.18	24.04	1.34	28.80	1.56	33.56	1.79	38.32	2.03
	55	16.90	1.04	20.47	1.19	24.04	1.35	28.80	1.58	33.56	1.82	38.32	2.06
	60	16.90	1.05	20.47	1.21	24.04	1.37	28.80	1.61	33.56	1.85	38.32	2.10
	65	16.90	1.07	20.47	1.23	24.04	1.40	28.80	1.63	33.56	1.88	38.32	2.16
	70	16.90	1.08	20.47	1.24	24.04	1.42	28.80	1.67	33.56	2.00	38.32	2.36
	75	16.90	1.09	20.47	1.26	24.04	1.48	28.80	1.81	33.56	2.17	38.32	2.57
	80	16.90	1.14	20.47	1.36	24.04	1.60	28.80	1.96	33.56	2.35	38.21	2.78
	85	16.90	1.23	20.47	1.46	24.04	1.72	28.80	2.11	33.56	2.54	37.52	2.95
	90	16.90	1.31	20.47	1.57	24.04	1.85	28.80	2.27	33.56	2.74	36.83	3.11
	95	16.90	1.40	20.47	1.68	24.04	1.99	<b>28.80</b>	<b>2.44</b>	33.56	2.96	36.14	3.28
	100	16.90	1.50	20.47	1.80	24.04	2.13	28.80	2.62	33.56	3.18	35.44	3.45
105	16.90	1.59	20.47	1.92	24.04	2.28	28.80	2.81	33.56	3.42	34.75	3.62	
110	16.90	1.69	20.47	2.04	24.04	2.43	28.80	3.01	33.35	3.63	33.82	3.71	
115	16.90	1.80	20.47	2.18	24.04	2.60	25.88	2.83	26.68	2.94	27.48	3.04	

NOTE - Power Input = Compressor + Outdoor Fan Motor.  
 MBH = 1000 BTUs per hour.

**COOLING CAPACITY**

**VPB036H4**

Combination (%)	Outdoor Temperature °F (Dry Bulb)	Indoor Temperature - °F (Dry Bulb / Wet Bulb)											
		67 / 57		71 / 60		75 / 63		80 / 67		85 / 71		90 / 75	
		Total Cap.	Power Input	Total Cap.	Power Input	Total Cap.	Power Input	Total Cap.	Power Input	Total Cap.	Power Input	Total Cap.	Power Input
		MBH	kW	MBH	kW	MBH	kW	MBH	kW	MBH	kW	MBH	kW
70%	5	14.79	0.87	17.91	0.97	21.03	1.08	25.20	1.24	29.37	1.40	33.53	1.57
	10	14.79	0.88	17.91	0.98	21.03	1.09	25.20	1.25	29.37	1.42	33.53	1.59
	15	14.79	0.88	17.91	0.99	21.03	1.10	25.20	1.27	29.37	1.44	33.53	1.61
	20	14.79	0.89	17.91	1.00	21.03	1.12	25.20	1.28	29.37	1.45	33.53	1.63
	25	14.79	0.90	17.91	1.01	21.03	1.13	25.20	1.30	29.37	1.47	33.53	1.66
	30	14.79	0.91	17.91	1.02	21.03	1.14	25.20	1.31	29.37	1.49	33.53	1.68
	35	14.79	0.92	17.91	1.03	21.03	1.16	25.20	1.33	29.37	1.52	33.53	1.71
	40	14.79	0.92	17.91	1.04	21.03	1.17	25.20	1.35	29.37	1.54	33.53	1.73
	45	14.79	0.93	17.91	1.06	21.03	1.19	25.20	1.37	29.37	1.56	33.53	1.76
	50	14.79	0.94	17.91	1.07	21.03	1.20	25.20	1.39	29.37	1.58	33.53	1.79
	55	14.79	0.95	17.91	1.08	21.03	1.22	25.20	1.41	29.37	1.61	33.53	1.82
	60	14.79	0.96	17.91	1.10	21.03	1.23	25.20	1.43	29.37	1.64	33.53	1.85
	65	14.79	0.97	17.91	1.11	21.03	1.25	25.20	1.45	29.37	1.66	33.53	1.88
	70	14.79	0.99	17.91	1.12	21.03	1.27	25.20	1.48	29.37	1.70	33.53	2.00
	75	14.79	1.00	17.91	1.14	21.03	1.29	25.20	1.56	29.37	1.85	33.53	2.17
	80	14.79	1.03	17.91	1.20	21.03	1.40	25.20	1.68	29.37	2.00	33.53	2.35
	85	14.79	1.10	17.91	1.29	21.03	1.50	25.20	1.81	29.37	2.16	33.53	2.54
	90	14.79	1.17	17.91	1.38	21.03	1.61	25.20	1.95	29.37	2.33	33.53	2.74
95	14.79	1.25	17.91	1.48	21.03	1.73	25.20	2.09	29.37	2.50	33.53	2.95	
100	14.79	1.33	17.91	1.58	21.03	1.85	25.20	2.24	29.37	2.69	33.53	3.18	
105	14.79	1.42	17.91	1.68	21.03	1.97	25.20	2.40	29.37	2.88	33.53	3.41	
110	14.79	1.51	17.91	1.79	21.03	2.10	25.20	2.57	29.37	3.09	33.53	3.66	
115	14.79	1.60	17.91	1.90	21.03	2.24	25.20	2.74	26.68	2.94	27.48	3.04	
60%	5	12.67	0.80	15.35	0.89	18.03	0.98	21.60	1.10	25.17	1.23	28.74	1.37
	10	12.67	0.81	15.35	0.89	18.03	0.99	21.60	1.11	25.17	1.25	28.74	1.39
	15	12.67	0.81	15.35	0.90	18.03	0.99	21.60	1.13	25.17	1.26	28.74	1.41
	20	12.67	0.82	15.35	0.91	18.03	1.00	21.60	1.14	25.17	1.28	28.74	1.43
	25	12.67	0.83	15.35	0.92	18.03	1.02	21.60	1.15	25.17	1.30	28.74	1.45
	30	12.67	0.83	15.35	0.93	18.03	1.03	21.60	1.17	25.17	1.31	28.74	1.47
	35	12.67	0.84	15.35	0.94	18.03	1.04	21.60	1.18	25.17	1.33	28.74	1.49
	40	12.67	0.85	15.35	0.95	18.03	1.05	21.60	1.20	25.17	1.35	28.74	1.51
	45	12.67	0.86	15.35	0.96	18.03	1.06	21.60	1.21	25.17	1.37	28.74	1.53
	50	12.67	0.86	15.35	0.97	18.03	1.07	21.60	1.23	25.17	1.39	28.74	1.55
	55	12.67	0.87	15.35	0.98	18.03	1.09	21.60	1.24	25.17	1.41	28.74	1.58
	60	12.67	0.88	15.35	0.99	18.03	1.10	21.60	1.26	25.17	1.43	28.74	1.60
	65	12.67	0.89	15.35	1.00	18.03	1.11	21.60	1.28	25.17	1.45	28.74	1.63
	70	12.67	0.90	15.35	1.01	18.03	1.13	21.60	1.30	25.17	1.47	28.74	1.66
	75	12.67	0.91	15.35	1.02	18.03	1.15	21.60	1.33	25.17	1.55	28.74	1.80
	80	12.67	0.92	15.35	1.06	18.03	1.21	21.60	1.43	25.17	1.68	28.74	1.95
	85	12.67	0.98	15.35	1.13	18.03	1.30	21.60	1.54	25.17	1.81	28.74	2.11
	90	12.67	1.05	15.35	1.21	18.03	1.39	21.60	1.65	25.17	1.95	28.74	2.27
95	12.67	1.11	15.35	1.29	18.03	1.49	<b>21.60</b>	<b>1.77</b>	25.17	2.09	28.74	2.44	
100	12.67	1.18	15.35	1.38	18.03	1.59	21.60	1.90	25.17	2.24	28.74	2.62	
105	12.67	1.26	15.35	1.46	18.03	1.69	21.60	2.03	25.17	2.40	28.74	2.81	
110	12.67	1.33	15.35	1.56	18.03	1.80	21.60	2.16	25.17	2.57	28.74	3.01	
115	12.67	1.41	15.35	1.65	18.03	1.92	21.60	2.31	25.17	2.74	27.48	3.04	

NOTE - Power Input = Compressor + Outdoor Fan Motor.  
MBH = 1000 BTUs per hour.

**COOLING CAPACITY**

**VPB036H4**

Combination (%)	Outdoor Temperature °F (Dry Bulb)	Indoor Temperature - °F (Dry Bulb / Wet Bulb)											
		67 / 57		71 / 60		75 / 63		80 / 67		85 / 71		90 / 75	
		Total Cap.	Power Input	Total Cap.	Power Input	Total Cap.	Power Input	Total Cap.	Power Input	Total Cap.	Power Input	Total Cap.	Power Input
		MBH	kW	MBH	kW	MBH	kW	MBH	kW	MBH	kW	MBH	kW
50%	5	10.56	0.74	12.79	0.81	15.02	0.88	18.00	0.97	20.98	1.08	23.95	1.19
	10	10.56	0.74	12.79	0.81	15.02	0.88	18.00	0.98	20.98	1.09	23.95	1.20
	15	10.56	0.75	12.79	0.82	15.02	0.89	18.00	0.99	20.98	1.10	23.95	1.22
	20	10.56	0.75	12.79	0.82	15.02	0.90	18.00	1.00	20.98	1.11	23.95	1.23
	25	10.56	0.76	12.79	0.83	15.02	0.91	18.00	1.01	20.98	1.13	23.95	1.25
	30	10.56	0.76	12.79	0.84	15.02	0.92	18.00	1.02	20.98	1.14	23.95	1.26
	35	10.56	0.77	12.79	0.84	15.02	0.92	18.00	1.04	20.98	1.15	23.95	1.28
	40	10.56	0.77	12.79	0.85	15.02	0.93	18.00	1.05	20.98	1.17	23.95	1.30
	45	10.56	0.78	12.79	0.86	15.02	0.94	18.00	1.06	20.98	1.18	23.95	1.31
	50	10.56	0.79	12.79	0.87	15.02	0.95	18.00	1.07	20.98	1.20	23.95	1.33
	55	10.56	0.79	12.79	0.88	15.02	0.96	18.00	1.09	20.98	1.22	23.95	1.35
	60	10.56	0.80	12.79	0.88	15.02	0.97	18.00	1.10	20.98	1.23	23.95	1.37
	65	10.56	0.81	12.79	0.89	15.02	0.98	18.00	1.11	20.98	1.25	23.95	1.39
	70	10.56	0.81	12.79	0.90	15.02	1.00	18.00	1.13	20.98	1.27	23.95	1.41
	75	10.56	0.82	12.79	0.91	15.02	1.01	18.00	1.14	20.98	1.29	23.95	1.47
	80	10.56	0.83	12.79	0.92	15.02	1.04	18.00	1.21	20.98	1.39	23.95	1.59
	85	10.56	0.87	12.79	0.99	15.02	1.11	18.00	1.30	20.98	1.50	23.95	1.72
	90	10.56	0.93	12.79	1.05	15.02	1.19	18.00	1.39	20.98	1.61	23.95	1.84
95	10.56	0.99	12.79	1.12	15.02	1.27	18.00	1.48	20.98	1.72	23.95	1.98	
100	10.56	1.05	12.79	1.19	15.02	1.35	18.00	1.58	20.98	1.84	23.95	2.12	
105	10.56	1.11	12.79	1.27	15.02	1.44	18.00	1.69	20.98	1.97	23.95	2.27	
110	10.56	1.17	12.79	1.34	15.02	1.53	18.00	1.80	20.98	2.10	23.95	2.42	
115	10.56	1.24	12.79	1.42	15.02	1.62	18.00	1.91	20.98	2.24	23.95	2.59	

NOTE - Power Input = Compressor + Outdoor Fan Motor.  
 MBH = 1000 BTUs per hour.

**HEATING CAPACITY**

**VPB036H4**

Combination (%)	Outdoor Temperature (°F)		Indoor Temperature - °F Dry Bulb											
			61		64		67		70		73		75	
	Dry Bulb	Wet Bulb	Total Cap.	Power Input	Total Cap.	Power Input	Total Cap.	Power Input	Total Cap.	Power Input	Total Cap.	Power Input	Total Cap.	Power Input
			MBH	kW	MBH	kW	MBH	kW	MBH	kW	MBH	kW	MBH	kW
130%	-3	-4	26.60	2.77	26.37	2.84	26.13	2.91	25.90	2.98	25.66	3.05	25.51	3.10
	0	-1	28.00	2.83	27.75	2.90	27.51	2.97	27.26	3.04	27.01	3.11	26.85	3.16
	5	2	29.47	2.88	29.21	2.96	28.95	3.03	28.70	3.10	28.44	3.17	28.26	3.22
	7	6	31.14	2.95	30.88	3.01	30.62	3.08	30.37	3.15	30.11	3.22	29.93	3.26
	12	10	32.48	2.99	32.22	3.05	31.96	3.12	31.70	3.18	31.44	3.25	31.27	3.29
	17	15	34.15	3.03	33.89	3.09	33.63	3.15	33.37	3.22	33.11	3.28	32.94	3.32
	22	20	35.82	3.07	35.56	3.13	35.30	3.19	35.04	3.24	34.78	3.30	34.61	3.34
	27	24	37.16	3.10	36.90	3.15	36.64	3.21	36.38	3.26	36.12	3.32	35.94	3.35
	32	29	38.83	3.13	38.57	3.18	38.31	3.23	38.05	3.28	37.79	3.33	37.61	3.37
	37	34	40.49	3.15	40.24	3.20	39.98	3.25	39.72	3.29	39.46	3.34	39.28	3.38
	42	38	41.83	3.16	41.57	3.21	41.31	3.26	41.05	3.30	40.79	3.35	40.62	3.38
	47	43	43.50	3.18	43.24	3.22	42.98	3.27	42.72	3.31	42.46	3.36	42.29	3.39
	52	47	44.84	3.19	44.58	3.23	44.32	3.28	44.06	3.32	43.80	3.36	43.63	3.39
	57	52	46.51	3.20	46.25	3.24	45.99	3.28	45.73	3.32	45.47	3.36	45.30	3.39
	62	56	47.84	3.21	47.58	3.25	47.32	3.29	47.06	3.32	46.80	3.36	45.95	3.32
	67	61	49.51	3.21	49.25	3.25	48.99	3.29	48.73	3.33	48.37	3.35	45.95	3.15
72	66	51.18	3.22	50.92	3.25	50.66	3.29	50.40	3.32	48.37	3.19	45.95	3.00	
80	67	51.52	3.22	51.26	3.25	51.00	3.29	50.74	3.32	48.37	3.16	45.95	2.97	
120%	-3	-4	26.29	2.86	26.07	2.93	25.86	2.99	25.64	3.06	25.42	3.12	25.28	3.16
	0	-1	27.67	2.92	27.44	2.99	27.22	3.05	26.99	3.12	26.76	3.18	26.61	3.23
	5	2	29.13	2.98	28.89	3.05	28.65	3.12	28.41	3.18	28.17	3.25	28.01	3.29
	7	6	30.80	3.04	30.56	3.10	30.32	3.16	30.08	3.22	29.84	3.29	29.68	3.33
	12	10	32.13	3.07	31.89	3.13	31.65	3.19	31.41	3.25	31.18	3.31	31.02	3.35
	17	15	33.80	3.11	33.56	3.17	33.32	3.23	33.08	3.28	32.85	3.34	32.69	3.38
	22	20	35.47	3.15	35.23	3.20	34.99	3.25	34.75	3.31	34.51	3.36	34.36	3.39
	27	24	36.81	3.17	36.57	3.22	36.33	3.27	36.09	3.32	35.85	3.37	35.69	3.40
	32	29	38.48	3.19	38.24	3.24	38.00	3.29	37.76	3.34	37.52	3.38	37.36	3.42
	37	34	40.15	3.21	39.91	3.26	39.67	3.30	39.43	3.35	39.19	3.39	39.03	3.42
	42	38	41.48	3.23	41.25	3.27	41.01	3.31	40.77	3.36	40.53	3.40	40.37	3.43
	47	43	43.15	3.24	42.92	3.28	42.68	3.32	42.44	3.36	42.20	3.40	42.04	3.43
	52	47	44.49	3.25	44.25	3.29	44.01	3.33	43.77	3.37	43.53	3.40	42.42	3.32
	57	52	46.16	3.25	45.92	3.29	45.68	3.33	45.44	3.37	44.65	3.34	42.42	3.15
	62	56	47.50	3.26	47.26	3.30	47.02	3.33	46.78	3.37	44.65	3.21	42.42	3.02
	67	61	49.17	3.26	48.93	3.30	48.69	3.33	48.00	3.32	44.65	3.05	42.42	2.87
72	66	50.84	3.26	50.60	3.30	50.36	3.33	48.00	3.16	44.65	2.90	42.42	2.73	
80	67	51.17	3.26	50.93	3.30	50.69	3.33	48.00	3.13	44.65	2.87	42.42	2.71	
110%	-3	-4	25.70	2.96	25.51	3.02	25.31	3.07	25.11	3.13	24.92	3.19	24.79	3.23
	0	-1	27.20	3.02	26.99	3.08	26.78	3.14	26.58	3.20	26.37	3.26	26.23	3.30
	5	2	28.78	3.08	28.56	3.14	28.34	3.20	28.12	3.26	27.90	3.32	27.76	3.37
	7	6	30.45	3.13	30.23	3.18	30.01	3.24	29.79	3.30	29.57	3.36	29.43	3.40
	12	10	31.79	3.16	31.57	3.21	31.35	3.27	31.13	3.32	30.91	3.38	30.76	3.41
	17	15	33.46	3.19	33.24	3.25	33.02	3.30	32.80	3.35	32.58	3.40	32.43	3.43
	22	20	35.13	3.22	34.91	3.27	34.69	3.32	34.47	3.37	34.25	3.42	34.10	3.45
	27	24	36.46	3.24	36.24	3.29	36.02	3.33	35.80	3.38	35.58	3.43	35.44	3.46
	32	29	38.13	3.26	37.91	3.31	37.69	3.35	37.47	3.39	37.25	3.44	37.11	3.47
	37	34	39.80	3.28	39.58	3.32	39.36	3.36	39.14	3.40	38.92	3.44	38.78	3.47
	42	38	41.14	3.29	40.92	3.33	40.70	3.37	40.48	3.41	40.26	3.45	38.88	3.32
	47	43	42.81	3.30	42.59	3.34	42.37	3.37	42.15	3.41	40.93	3.33	38.88	3.13
	52	47	44.14	3.30	43.92	3.34	43.71	3.38	43.49	3.41	40.93	3.18	38.88	3.00
	57	52	45.81	3.31	45.59	3.34	45.38	3.38	44.00	3.29	40.93	3.02	38.88	2.84
	62	56	47.15	3.31	46.93	3.34	46.71	3.38	44.00	3.15	40.93	2.89	38.88	2.72
	67	61	48.82	3.31	48.60	3.34	47.07	3.24	44.00	2.99	40.93	2.75	38.88	2.59
72	66	50.49	3.31	50.14	3.33	47.07	3.09	44.00	2.85	40.93	2.62	38.88	2.47	
80	67	50.82	3.31	50.14	3.30	47.07	3.06	44.00	2.82	40.93	2.60	38.88	2.45	

NOTE - All Total Capacity and Power Input Data at 2°F Dry Bulb / 1°F Wet Bulb Outdoor Temperature is simulated at these operating conditions.

Recommended minimum heating operating temperature is -4°F.

Power Input = Compressor + Outdoor Fan Motor.

MBH = 1000 BTUs per hour.

**HEATING CAPACITY**

**VPB036H4**

Combination (%)	Outdoor Temperature (°F)		Indoor Temperature - °F Dry Bulb											
			61		64		67		70		73		75	
	Dry Bulb	Wet Bulb	Total Cap.	Power Input	Total Cap.	Power Input	Total Cap.	Power Input	Total Cap.	Power Input	Total Cap.	Power Input	Total Cap.	Power Input
			MBH	kW	MBH	kW	MBH	kW	MBH	kW	MBH	kW	MBH	kW
100%	-3	-4	25.39	3.09	25.22	3.14	25.04	3.20	24.86	3.25	24.68	3.31	24.56	3.34
	0	-1	26.87	3.13	26.68	3.19	26.49	3.24	26.31	3.30	26.12	3.35	25.99	3.39
	5	2	28.44	3.17	28.24	3.23	28.04	3.29	27.84	3.34	27.64	3.40	27.50	3.44
	7	6	30.11	3.22	29.91	3.27	29.71	3.32	29.51	3.37	29.31	3.43	29.17	3.46
	12	10	31.44	3.25	31.24	3.30	31.04	3.35	30.84	3.40	30.64	3.44	30.51	3.48
	17	15	33.11	3.28	32.91	3.32	32.71	3.37	<b>32.51</b>	<b>3.42</b>	32.31	3.46	32.18	3.49
	22	20	34.78	3.30	34.58	3.34	34.38	3.39	34.18	3.43	33.98	3.47	33.85	3.50
	27	24	36.12	3.32	35.92	3.36	35.72	3.40	35.52	3.44	35.32	3.48	35.19	3.51
	32	29	37.79	3.33	37.59	3.37	37.39	3.41	37.19	3.45	36.99	3.49	35.35	3.31
	37	34	39.46	3.34	39.26	3.38	39.06	3.42	38.86	3.46	37.21	3.30	35.35	3.11
	42	38	40.79	3.35	40.59	3.39	40.39	3.42	40.00	3.43	37.21	3.15	35.35	2.96
	47	43	42.46	3.36	42.26	3.39	42.06	3.43	<b>40.00</b>	<b>3.24</b>	37.21	2.97	35.35	2.80
	52	47	43.80	3.36	43.60	3.39	42.79	3.36	40.00	3.10	37.21	2.84	35.35	2.68
	57	52	45.47	3.36	45.27	3.39	42.79	3.18	40.00	2.93	37.21	2.70	35.35	2.54
	62	56	46.80	3.36	45.58	3.29	42.79	3.05	40.00	2.82	37.21	2.59	35.35	2.44
	67	61	48.37	3.35	45.58	3.12	42.79	2.90	40.00	2.68	37.21	2.47	35.35	2.33
	72	66	48.37	3.19	45.58	2.97	42.79	2.76	40.00	2.55	37.21	2.35	35.35	2.22
	80	67	48.37	3.16	45.58	2.94	42.79	2.73	40.00	2.53	37.21	2.33	35.35	2.20
90%	-3	-4	24.98	3.20	24.82	3.25	24.66	3.30	24.50	3.35	24.34	3.40	24.23	3.43
	0	-1	26.49	3.24	26.32	3.29	26.15	3.34	25.98	3.39	25.81	3.44	25.70	3.47
	5	2	28.09	3.27	27.91	3.32	27.73	3.37	27.55	3.42	27.37	3.47	27.25	3.51
	7	6	29.76	3.31	29.58	3.36	29.40	3.40	29.22	3.45	29.04	3.50	28.92	3.53
	12	10	31.10	3.33	30.92	3.38	30.74	3.42	30.56	3.47	30.38	3.51	30.26	3.54
	17	15	32.77	3.36	32.59	3.40	32.41	3.44	32.23	3.48	32.05	3.52	31.81	3.53
	22	20	34.44	3.38	34.26	3.42	34.08	3.45	33.90	3.49	33.49	3.50	31.81	3.29
	27	24	35.77	3.39	35.59	3.43	35.41	3.46	35.23	3.50	33.49	3.31	31.81	3.12
	32	29	37.44	3.40	37.26	3.44	37.08	3.47	36.00	3.38	33.49	3.10	31.81	2.92
	37	34	39.11	3.41	38.93	3.44	38.51	3.44	36.00	3.18	33.49	2.92	31.81	2.75
	42	38	40.45	3.41	40.27	3.45	38.51	3.28	36.00	3.03	33.49	2.78	31.81	2.62
	47	43	42.12	3.42	41.02	3.34	38.51	3.10	36.00	2.86	33.49	2.63	31.81	2.48
	52	47	43.45	3.42	41.02	3.19	38.51	2.96	36.00	2.74	33.49	2.52	31.81	2.38
	57	52	43.53	3.24	41.02	3.02	38.51	2.81	36.00	2.60	33.49	2.39	31.81	2.26
	62	56	43.53	3.11	41.02	2.90	38.51	2.69	36.00	2.49	33.49	2.30	31.81	2.17
	67	61	43.53	2.96	41.02	2.76	38.51	2.56	36.00	2.38	33.49	2.19	31.81	2.07
	72	66	43.53	2.82	41.02	2.63	38.51	2.45	36.00	2.27	33.49	2.09	31.81	1.98
	80	67	43.53	2.79	41.02	2.60	38.51	2.42	36.00	2.25	33.49	2.08	31.81	1.96
80%	-3	-4	25.04	3.30	24.89	3.35	24.75	3.39	24.61	3.43	24.46	3.48	24.37	3.51
	0	-1	26.36	3.34	26.20	3.38	26.05	3.43	25.90	3.47	25.75	3.51	25.65	3.54
	5	2	27.74	3.37	27.58	3.41	27.42	3.46	27.26	3.50	27.10	3.55	27.00	3.58
	7	6	29.41	3.40	29.25	3.44	29.09	3.48	28.93	3.52	28.77	3.57	28.28	3.52
	12	10	30.75	3.42	30.59	3.46	30.43	3.50	30.27	3.54	29.77	3.52	28.28	3.31
	17	15	32.42	3.44	32.26	3.47	32.10	3.51	31.94	3.55	29.77	3.26	28.28	3.07
	22	20	34.09	3.45	33.93	3.49	33.77	3.52	32.00	3.31	29.77	3.04	28.28	2.86
	27	24	35.42	3.46	35.27	3.49	34.23	3.40	32.00	3.14	29.77	2.88	28.28	2.72
	32	29	37.09	3.47	36.47	3.44	34.23	3.19	32.00	2.94	29.77	2.71	28.28	2.55
	37	34	38.70	3.46	36.47	3.23	34.23	2.99	32.00	2.77	29.77	2.55	28.28	2.41
	42	38	38.70	3.30	36.47	3.08	34.23	2.86	32.00	2.64	29.77	2.43	28.28	2.30
	47	43	38.70	3.11	36.47	2.90	34.23	2.70	32.00	2.50	29.77	2.30	28.28	2.18
	52	47	38.70	2.98	36.47	2.78	34.23	2.58	32.00	2.39	29.77	2.21	28.28	2.09
	57	52	38.70	2.82	36.47	2.64	34.23	2.45	32.00	2.28	29.77	2.10	28.28	1.99
	62	56	38.70	2.71	36.47	2.53	34.23	2.36	32.00	2.19	29.77	2.02	28.28	1.91
	67	61	38.70	2.58	36.47	2.41	34.23	2.25	32.00	2.09	29.77	1.93	28.28	1.83
	72	66	38.70	2.46	36.47	2.30	34.23	2.15	32.00	1.99	29.77	1.85	28.28	1.75
	80	67	38.70	2.44	36.47	2.28	34.23	2.13	32.00	1.98	29.77	1.83	28.28	1.73

NOTE - All Total Capacity and Power Input Data at 2°F Dry Bulb / 1°F Wet Bulb Outdoor Temperature is simulated at these operating conditions.

Recommended minimum heating operating temperature is -4°F.

Power Input = Compressor + Outdoor Fan Motor.

MBH = 1000 BTUs per hour.

**HEATING CAPACITY**

**VPB036H4**

Combination (%)	Outdoor Temperature (°F)		Indoor Temperature - °F Dry Bulb											
			61		64		67		70		73		75	
	Dry Bulb	Wet Bulb	Total Cap.	Power Input	Total Cap.	Power Input	Total Cap.	Power Input	Total Cap.	Power Input	Total Cap.	Power Input	Total Cap.	Power Input
			MBH	kW	MBH	kW	MBH	kW	MBH	kW	MBH	kW	MBH	kW
70%	-3	-4	24.47	3.40	24.34	3.44	24.22	3.48	24.09	3.51	23.26	3.40	22.10	3.20
	0	-1	25.89	3.43	25.76	3.47	25.63	3.51	25.49	3.55	24.61	3.44	23.38	3.23
	5	2	27.40	3.47	27.26	3.51	27.12	3.55	26.98	3.59	26.05	3.47	24.74	3.26
	7	6	29.07	3.49	28.93	3.53	28.79	3.56	28.00	3.48	26.05	3.19	24.74	3.01
	12	10	30.40	3.50	30.26	3.54	29.95	3.54	28.00	3.27	26.05	3.00	24.74	2.83
	17	15	32.07	3.52	31.91	3.55	29.95	3.29	28.00	3.04	26.05	2.79	24.74	2.63
	22	20	33.74	3.53	31.91	3.30	29.95	3.06	28.00	2.83	26.05	2.61	24.74	2.46
	27	24	33.86	3.36	31.91	3.13	29.95	2.90	28.00	2.69	26.05	2.48	24.74	2.34
	32	29	33.86	3.14	31.91	2.93	29.95	2.73	28.00	2.52	26.05	2.33	24.74	2.20
	37	34	33.86	2.96	31.91	2.76	29.95	2.57	28.00	2.38	26.05	2.20	24.74	2.08
	42	38	33.86	2.82	31.91	2.63	29.95	2.45	28.00	2.27	26.05	2.10	24.74	1.99
	47	43	33.86	2.67	31.91	2.49	29.95	2.32	28.00	2.15	26.05	1.99	24.74	1.89
	52	47	33.86	2.55	31.91	2.39	29.95	2.23	28.00	2.07	26.05	1.91	24.74	1.81
	57	52	33.86	2.42	31.91	2.27	29.95	2.12	28.00	1.97	26.05	1.82	24.74	1.73
	62	56	33.86	2.33	31.91	2.18	29.95	2.04	28.00	1.89	26.05	1.76	24.74	1.67
	67	61	33.86	2.22	31.91	2.08	29.95	1.94	28.00	1.81	26.05	1.68	24.74	1.59
	72	66	33.86	2.12	31.91	1.99	29.95	1.86	28.00	1.73	26.05	1.61	24.74	1.53
80	67	33.86	2.10	31.91	1.97	29.95	1.84	28.00	1.72	26.05	1.59	24.74	1.51	
60%	-3	-4	23.95	3.53	23.85	3.56	22.73	3.38	21.25	3.12	19.77	2.87	18.78	2.70
	0	-1	25.46	3.55	25.34	3.58	24.16	3.39	22.58	3.13	21.01	2.88	19.96	2.72
	5	2	27.05	3.56	26.93	3.60	25.67	3.41	24.00	3.15	22.33	2.89	21.21	2.73
	7	6	28.72	3.58	27.35	3.39	25.67	3.14	24.00	2.90	22.33	2.67	21.21	2.52
	12	10	29.02	3.41	27.35	3.18	25.67	2.95	24.00	2.73	22.33	2.52	21.21	2.38
	17	15	29.02	3.17	27.35	2.95	25.67	2.75	24.00	2.54	22.33	2.35	21.21	2.22
	22	20	29.02	2.95	27.35	2.76	25.67	2.57	24.00	2.38	22.33	2.20	21.21	2.08
	27	24	29.02	2.80	27.35	2.62	25.67	2.44	24.00	2.26	22.33	2.09	21.21	1.98
	32	29	29.02	2.63	27.35	2.46	25.67	2.29	24.00	2.13	22.33	1.97	21.21	1.87
	37	34	29.02	2.48	27.35	2.32	25.67	2.16	24.00	2.01	22.33	1.86	21.21	1.77
	42	38	29.02	2.37	27.35	2.22	25.67	2.07	24.00	1.93	22.33	1.78	21.21	1.69
	47	43	29.02	2.24	27.35	2.10	25.67	1.96	24.00	1.83	22.33	1.70	21.21	1.61
	52	47	29.02	2.15	27.35	2.02	25.67	1.88	24.00	1.76	22.33	1.63	21.21	1.55
	57	52	29.02	2.05	27.35	1.92	25.67	1.80	24.00	1.67	22.33	1.56	21.21	1.48
	62	56	29.02	1.97	27.35	1.85	25.67	1.73	24.00	1.61	22.33	1.50	21.21	1.43
	67	61	29.02	1.88	27.35	1.77	25.67	1.65	24.00	1.54	22.33	1.44	21.21	1.37
	72	66	29.02	1.80	27.35	1.69	25.67	1.58	24.00	1.48	22.33	1.38	21.21	1.31
80	67	29.02	1.78	27.35	1.67	25.67	1.57	24.00	1.47	22.33	1.37	21.21	1.30	
50%	-3	-4	24.19	3.66	22.79	3.42	21.40	3.18	20.00	2.95	18.60	2.72	17.67	2.57
	0	-1	24.19	3.41	22.79	3.18	21.40	2.96	20.00	2.74	18.60	2.53	17.67	2.39
	5	2	24.19	3.18	22.79	2.96	21.40	2.76	20.00	2.55	18.60	2.36	17.67	2.23
	7	6	24.19	2.93	22.79	2.74	21.40	2.55	20.00	2.36	18.60	2.18	17.67	2.07
	12	10	24.19	2.76	22.79	2.58	21.40	2.40	20.00	2.23	18.60	2.06	17.67	1.95
	17	15	24.19	2.57	22.79	2.40	21.40	2.24	20.00	2.08	18.60	1.93	17.67	1.83
	22	20	24.19	2.40	22.79	2.25	21.40	2.10	20.00	1.95	18.60	1.81	17.67	1.72
	27	24	24.19	2.28	22.79	2.14	21.40	2.00	20.00	1.86	18.60	1.73	17.67	1.64
	32	29	24.19	2.15	22.79	2.01	21.40	1.88	20.00	1.76	18.60	1.63	17.67	1.55
	37	34	24.19	2.03	22.79	1.90	21.40	1.78	20.00	1.66	18.60	1.55	17.67	1.47
	42	38	24.19	1.94	22.79	1.82	21.40	1.71	20.00	1.60	18.60	1.48	17.67	1.41
	47	43	24.19	1.84	22.79	1.73	21.40	1.62	20.00	1.52	18.60	1.41	17.67	1.35
	52	47	24.19	1.77	22.79	1.67	21.40	1.56	20.00	1.46	18.60	1.36	17.67	1.30
	57	52	24.19	1.69	22.79	1.59	21.40	1.49	20.00	1.40	18.60	1.30	17.67	1.24
	62	56	24.19	1.63	22.79	1.53	21.40	1.44	20.00	1.35	18.60	1.26	17.67	1.20
	67	61	24.19	1.56	22.79	1.47	21.40	1.38	20.00	1.29	18.60	1.21	17.67	1.15
	72	66	24.19	1.49	22.79	1.41	21.40	1.32	20.00	1.24	18.60	1.16	17.67	1.11
80	67	24.19	1.48	22.79	1.39	21.40	1.31	20.00	1.23	18.60	1.15	17.67	1.10	

NOTE - All Total Capacity and Power Input Data at 2°F Dry Bulb / 1°F Wet Bulb Outdoor Temperature is simulated at these operating conditions.

**Recommended minimum heating operating temperature is -4°F.**

Power Input = Compressor + Outdoor Fan Motor.

MBH = 1000 BTUs per hour.



**COOLING CAPACITY**

**VPB048H4**

Combination (%)	Outdoor Temperature °F (Dry Bulb)	Indoor Temperature - °F (Dry Bulb / Wet Bulb)											
		67 / 57		71 / 60		75 / 63		80 / 67		85 / 71		90 / 75	
		Total Cap.	Power Input	Total Cap.	Power Input	Total Cap.	Power Input	Total Cap.	Power Input	Total Cap.	Power Input	Total Cap.	Power Input
		MBH	kW	MBH	kW	MBH	kW	MBH	kW	MBH	kW	MBH	kW
130%	5	36.61	1.99	44.35	2.27	52.09	2.57	62.40	3.01	72.71	3.49	83.03	4.02
	10	36.61	2.01	44.35	2.30	52.09	2.62	62.40	3.05	72.71	3.50	83.03	4.05
	15	36.61	2.04	44.35	2.34	52.09	2.67	62.40	3.10	72.71	3.51	83.03	4.09
	20	36.61	2.07	44.35	2.38	52.09	2.72	62.40	3.16	72.71	3.53	83.03	4.14
	25	36.61	2.10	44.35	2.43	52.09	2.79	62.40	3.22	72.71	3.55	83.03	4.19
	30	36.61	2.13	44.35	2.48	52.09	2.86	62.40	3.29	72.71	3.58	83.03	4.26
	35	36.61	2.18	44.35	2.54	52.09	2.94	62.40	3.37	72.71	3.62	83.03	4.34
	40	36.61	2.22	44.35	2.61	52.09	3.03	62.40	3.46	72.71	3.67	83.03	4.43
	45	36.61	2.27	44.35	2.65	52.09	3.11	62.40	3.56	72.71	3.72	83.03	4.53
	50	36.61	2.30	44.35	2.69	52.09	3.17	62.40	3.67	72.71	3.81	83.03	4.68
	55	36.61	2.33	44.35	2.74	52.09	3.23	62.40	3.79	72.71	3.92	81.52	4.73
	60	36.61	2.36	44.35	2.78	52.09	3.30	62.40	3.92	72.71	4.05	77.58	4.57
	65	36.61	2.39	44.35	2.83	52.09	3.44	62.40	4.06	72.71	4.20	73.65	4.38
	70	36.61	2.49	44.35	3.01	52.09	3.77	62.40	4.22	69.11	4.37	69.71	4.53
	75	36.61	2.61	44.35	3.27	52.09	4.10	62.40	4.40	65.18	4.56	65.78	4.73
	80	36.61	2.81	44.35	3.55	52.09	4.35	60.64	4.60	61.24	4.78	61.84	4.96
	85	36.61	3.03	44.35	3.85	52.09	4.61	56.71	4.82	57.31	5.02	57.91	5.21
	90	36.61	3.26	44.35	4.16	52.09	4.87	52.77	5.06	53.37	5.27	53.86	5.43
	95	36.61	3.51	44.35	4.50	48.24	5.14	48.84	5.35	49.35	5.53	49.41	5.55
	100	36.61	3.86	44.35	4.90	47.22	5.38	47.61	5.53	47.67	5.62	47.73	5.64
105	36.61	4.02	44.35	5.12	46.00	5.41	46.06	5.43	46.12	5.46	46.18	5.48	
110	36.61	4.20	38.77	4.50	39.57	4.62	40.63	4.78	41.70	4.94	42.77	5.10	
115	28.89	3.33	29.69	3.43	30.49	3.54	31.56	3.68	32.63	3.82	33.69	3.97	
120%	5	33.80	1.90	40.94	2.14	48.08	2.41	57.60	2.80	67.12	3.23	76.64	3.69
	10	33.80	1.92	40.94	2.17	48.08	2.45	57.60	2.86	67.12	3.30	76.64	3.79
	15	33.80	1.94	40.94	2.20	48.08	2.49	57.60	2.92	67.12	3.39	76.64	3.89
	20	33.80	1.96	40.94	2.24	48.08	2.54	57.60	2.99	67.12	3.48	76.64	4.01
	25	33.80	1.99	40.94	2.28	48.08	2.60	57.60	3.06	67.12	3.58	76.64	4.14
	30	33.80	2.02	40.94	2.32	48.08	2.66	57.60	3.15	67.12	3.69	76.64	4.29
	35	33.80	2.05	40.94	2.37	48.08	2.73	57.60	3.25	67.12	3.82	76.64	4.45
	40	33.80	2.09	40.94	2.43	48.08	2.81	57.60	3.35	67.12	3.96	76.64	4.63
	45	33.80	2.14	40.94	2.50	48.08	2.89	57.60	3.45	67.12	4.12	76.64	4.84
	50	33.80	2.19	40.94	2.57	48.08	2.99	57.60	3.55	67.12	4.31	76.64	5.07
	55	33.80	2.25	40.94	2.66	48.08	3.11	57.60	3.65	67.12	4.52	76.64	5.34
	60	33.80	2.32	40.94	2.76	48.08	3.24	57.60	3.75	67.12	4.76	76.64	5.65
	65	33.80	2.41	40.94	2.88	48.08	3.40	57.60	3.85	67.12	5.04	73.27	5.69
	70	33.80	2.50	40.94	3.01	48.08	3.58	57.60	3.95	67.12	5.13	69.34	5.44
	75	33.80	2.62	40.94	3.17	48.08	3.80	57.60	4.18	64.85	5.22	65.41	5.38
	80	33.80	2.76	40.94	3.37	48.08	4.05	57.60	4.45	60.92	5.30	61.47	5.47
	85	33.80	2.92	40.94	3.60	48.08	4.36	56.43	4.71	56.98	5.37	57.54	5.55
	90	33.80	3.13	40.94	3.89	48.08	4.74	52.49	4.98	53.05	5.43	53.60	5.62
	95	33.80	3.38	40.94	4.24	48.00	5.05	48.56	5.25	49.11	5.45	49.41	5.56
	100	33.80	3.52	40.94	4.42	46.99	5.15	47.54	5.51	47.67	5.54	47.73	5.58
105	33.80	3.66	40.94	4.62	45.97	5.25	46.06	5.43	46.12	5.46	46.18	5.48	
110	33.80	3.82	38.77	4.50	39.57	4.62	40.63	4.78	41.70	4.94	42.77	5.10	
115	28.89	3.33	29.69	3.43	30.49	3.54	31.56	3.68	32.63	3.82	33.69	3.97	

NOTE - Power Input = Compressor + Outdoor Fan Motor.  
MBH = 1000 BTUs per hour.

**COOLING CAPACITY**

**VPB048H4**

Combination (%)	Outdoor Temperature °F (Dry Bulb)	Indoor Temperature - °F (Dry Bulb / Wet Bulb)											
		67 / 57		71 / 60		75 / 63		80 / 67		85 / 71		90 / 75	
		Total Cap.	Power Input	Total Cap.	Power Input	Total Cap.	Power Input	Total Cap.	Power Input	Total Cap.	Power Input	Total Cap.	Power Input
		MBH	kW	MBH	kW	MBH	kW	MBH	kW	MBH	kW	MBH	kW
110%	5	30.98	1.81	37.53	2.02	44.07	2.26	52.80	2.60	61.53	2.97	70.25	3.38
	10	30.98	1.82	37.53	2.05	44.07	2.29	52.80	2.65	61.53	3.04	70.25	3.46
	15	30.98	1.84	37.53	2.07	44.07	2.33	52.80	2.70	61.53	3.11	70.25	3.55
	20	30.98	1.86	37.53	2.10	44.07	2.37	52.80	2.76	61.53	3.18	70.25	3.65
	25	30.98	1.88	37.53	2.14	44.07	2.42	52.80	2.82	61.53	3.27	70.25	3.76
	30	30.98	1.90	37.53	2.17	44.07	2.47	52.80	2.90	61.53	3.37	70.25	3.88
	35	30.98	1.93	37.53	2.22	44.07	2.53	52.80	2.98	61.53	3.48	70.25	4.02
	40	30.98	1.97	37.53	2.27	44.07	2.59	52.80	3.07	61.53	3.60	70.25	4.18
	45	30.98	2.01	37.53	2.32	44.07	2.67	52.80	3.17	61.53	3.74	70.25	4.35
	50	30.98	2.05	37.53	2.39	44.07	2.75	52.80	3.29	61.53	3.89	70.25	4.55
	55	30.98	2.10	37.53	2.46	44.07	2.85	52.80	3.35	61.53	4.07	70.25	4.78
	60	30.98	2.16	37.53	2.55	44.07	2.97	52.80	3.51	61.53	4.28	70.25	5.04
	65	30.98	2.23	37.53	2.65	44.07	3.10	52.80	3.85	61.53	4.52	70.25	5.35
	70	30.98	2.32	37.53	2.76	44.07	3.26	52.80	3.99	61.53	4.80	68.97	5.58
	75	30.98	2.42	37.53	2.90	44.07	3.44	52.80	4.11	61.53	5.14	65.03	5.58
	80	30.98	2.54	37.53	3.07	44.07	3.66	52.80	4.37	60.59	5.22	61.10	5.59
	85	30.98	2.68	37.53	3.27	44.07	3.92	52.80	4.62	56.66	5.29	57.16	5.60
	90	30.98	2.85	37.53	3.51	44.07	4.25	52.21	4.89	52.72	5.35	53.23	5.63
95	30.98	3.07	37.53	3.82	44.07	4.65	48.28	5.15	48.79	5.40	49.30	5.67	
100	30.98	3.19	37.53	3.98	44.07	4.86	47.26	5.40	47.67	5.52	47.73	5.58	
105	30.98	3.32	37.53	4.15	44.07	5.08	46.06	5.43	46.12	5.46	46.18	5.48	
110	30.98	3.46	37.53	4.33	39.57	4.62	40.63	4.78	41.70	4.94	42.77	5.10	
115	28.89	3.33	29.69	3.43	30.49	3.54	31.56	3.68	32.63	3.82	33.69	3.97	
100%	5	28.17	1.72	34.12	1.91	40.07	2.11	48.00	2.41	55.93	2.73	63.87	3.08
	10	28.17	1.73	34.12	1.93	40.07	2.14	48.00	2.45	55.93	2.78	63.87	3.15
	15	28.17	1.74	34.12	1.95	40.07	2.17	48.00	2.49	55.93	2.84	63.87	3.22
	20	28.17	1.76	34.12	1.97	40.07	2.20	48.00	2.54	55.93	2.91	63.87	3.30
	25	28.17	1.78	34.12	2.00	40.07	2.24	48.00	2.59	55.93	2.98	63.87	3.40
	30	28.17	1.80	34.12	2.03	40.07	2.28	48.00	2.65	55.93	3.06	63.87	3.50
	35	28.17	1.82	34.12	2.07	40.07	2.33	48.00	2.72	55.93	3.15	63.87	3.62
	40	28.17	1.85	34.12	2.11	40.07	2.39	48.00	2.80	55.93	3.25	63.87	3.75
	45	28.17	1.88	34.12	2.15	40.07	2.45	48.00	2.89	55.93	3.37	63.87	3.90
	50	28.17	1.92	34.12	2.21	40.07	2.52	48.00	2.99	55.93	3.44	63.87	3.99
	55	28.17	1.96	34.12	2.27	40.07	2.61	48.00	3.10	55.93	3.50	63.87	4.08
	60	28.17	2.01	34.12	2.34	40.07	2.70	48.00	3.24	55.93	3.49	63.87	4.17
	65	28.17	2.07	34.12	2.43	40.07	2.82	48.00	3.39	55.93	3.64	63.87	4.28
	70	28.17	2.14	34.12	2.52	40.07	2.95	48.00	3.57	55.93	3.90	63.87	4.60
	75	28.17	2.22	34.12	2.64	40.07	3.10	48.00	3.79	55.93	4.16	63.87	4.93
	80	28.17	2.33	34.12	2.78	40.07	3.29	48.00	4.04	55.93	4.42	60.73	4.95
	85	28.17	2.45	34.12	2.95	40.07	3.51	48.00	4.35	55.93	4.68	56.79	4.85
	90	28.17	2.60	34.12	3.16	40.07	3.79	48.00	4.73	52.40	4.95	52.86	5.09
<b>95</b>	28.17	2.72	34.12	3.24	40.07	3.92	<b>48.00</b>	<b>5.05</b>	48.46	5.21	48.92	5.38	
100	28.17	2.90	34.12	3.57	40.07	4.32	46.90	5.20	47.36	5.48	47.61	5.57	
105	28.17	3.02	34.12	3.73	40.07	4.53	45.80	5.31	45.88	5.44	45.94	5.46	
110	28.17	3.17	34.12	3.93	35.75	4.15	36.82	4.30	37.88	4.46	38.95	4.61	
115	28.17	3.24	30.05	3.47	30.85	3.58	31.92	3.72	32.99	3.86	34.05	4.01	

NOTE - Power Input = Compressor + Outdoor Fan Motor.  
MBH = 1000 BTUs per hour.



**COOLING CAPACITY**

**VPB048H4**

Combination (%)	Outdoor Temperature °F (Dry Bulb)	Indoor Temperature - °F (Dry Bulb / Wet Bulb)											
		67 / 57		71 / 60		75 / 63		80 / 67		85 / 71		90 / 75	
		Total Cap.	Power Input	Total Cap.	Power Input	Total Cap.	Power Input	Total Cap.	Power Input	Total Cap.	Power Input	Total Cap.	Power Input
		MBH	kW	MBH	kW	MBH	kW	MBH	kW	MBH	kW	MBH	kW
90%	5	25.35	1.63	30.70	1.80	36.06	1.97	43.20	2.23	50.34	2.50	57.48	2.80
	10	25.35	1.64	30.70	1.81	36.06	1.99	43.20	2.26	50.34	2.54	57.48	2.85
	15	25.35	1.65	30.70	1.83	36.06	2.02	43.20	2.29	50.34	2.59	57.48	2.91
	20	25.35	1.66	30.70	1.85	36.06	2.05	43.20	2.33	50.34	2.64	57.48	2.98
	25	25.35	1.68	30.70	1.87	36.06	2.08	43.20	2.38	50.34	2.70	57.48	3.06
	30	25.35	1.69	30.70	1.89	36.06	2.11	43.20	2.43	50.34	2.77	57.48	3.14
	35	25.35	1.71	30.70	1.92	36.06	2.15	43.20	2.48	50.34	2.85	57.48	3.24
	40	25.35	1.73	30.70	1.96	36.06	2.20	43.20	2.52	50.34	2.93	57.48	3.35
	45	25.35	1.76	30.70	1.99	36.06	2.25	43.20	2.58	50.34	3.03	57.48	3.47
	50	25.35	1.79	30.70	2.04	36.06	2.31	43.20	2.63	50.34	3.14	57.48	3.61
	55	25.35	1.82	30.70	2.09	36.06	2.38	43.20	2.67	50.34	3.26	57.48	3.77
	60	25.35	1.87	30.70	2.15	36.06	2.46	43.20	2.72	50.34	3.41	57.48	3.95
	65	25.35	1.92	30.70	2.22	36.06	2.55	43.20	2.76	50.34	3.58	57.48	4.17
	70	25.35	1.97	30.70	2.30	36.06	2.66	43.20	2.91	50.34	3.77	57.48	4.42
	75	25.35	2.04	30.70	2.40	36.06	2.79	43.20	3.16	50.34	4.00	57.48	4.71
	80	25.35	2.13	30.70	2.51	36.06	2.94	43.20	3.43	50.34	4.28	57.48	5.06
	85	25.35	2.23	30.70	2.66	36.06	3.13	43.20	3.71	50.34	4.62	56.42	5.37
	90	25.35	2.35	30.70	2.83	36.06	3.36	43.20	4.01	50.34	5.03	52.49	5.38
	95	25.35	2.51	30.70	3.04	36.06	3.64	43.20	4.33	48.14	5.25	48.55	5.40
	100	25.35	2.61	30.70	3.17	36.06	3.80	43.20	4.75	47.04	5.35	47.45	5.51
105	25.35	2.71	30.70	3.31	36.06	3.98	43.20	4.98	45.88	5.44	45.94	5.46	
110	25.35	2.84	30.70	3.48	35.75	4.15	36.82	4.30	37.88	4.46	38.95	4.61	
115	25.35	2.90	30.05	3.47	30.85	3.58	31.92	3.72	32.99	3.86	34.05	4.01	
80%	5	22.53	1.55	27.29	1.69	32.05	1.84	38.40	2.05	44.75	2.28	51.09	2.53
	10	22.53	1.56	27.29	1.70	32.05	1.86	38.40	2.08	44.75	2.32	51.09	2.58
	15	22.53	1.56	27.29	1.71	32.05	1.87	38.40	2.11	44.75	2.36	51.09	2.62
	20	22.53	1.57	27.29	1.73	32.05	1.90	38.40	2.14	44.75	2.40	51.09	2.68
	25	22.53	1.58	27.29	1.74	32.05	1.92	38.40	2.17	44.75	2.45	51.09	2.74
	30	22.53	1.59	27.29	1.76	32.05	1.95	38.40	2.21	44.75	2.50	51.09	2.81
	35	22.53	1.61	27.29	1.79	32.05	1.98	38.40	2.26	44.75	2.56	51.09	2.89
	40	22.53	1.62	27.29	1.81	32.05	2.01	38.40	2.31	44.75	2.63	51.09	2.97
	45	22.53	1.64	27.29	1.84	32.05	2.06	38.40	2.35	44.75	2.70	51.09	3.07
	50	22.53	1.67	27.29	1.88	32.05	2.10	38.40	2.38	44.75	2.79	51.09	3.18
	55	22.53	1.70	27.29	1.92	32.05	2.16	38.40	2.41	44.75	2.89	51.09	3.31
	60	22.53	1.73	27.29	1.97	32.05	2.22	38.40	2.45	44.75	3.01	51.09	3.46
	65	22.53	1.77	27.29	2.02	32.05	2.30	38.40	2.49	44.75	3.15	51.09	3.63
	70	22.53	1.82	27.29	2.09	32.05	2.39	38.40	2.53	44.75	3.31	51.09	3.84
	75	22.53	1.87	27.29	2.17	32.05	2.49	38.40	2.74	44.75	3.50	51.09	4.08
	80	22.53	1.94	27.29	2.26	32.05	2.62	38.40	2.97	44.75	3.72	51.09	4.36
	85	22.53	2.02	27.29	2.38	32.05	2.77	38.40	3.20	44.75	4.00	51.09	4.71
	90	22.53	2.12	27.29	2.52	32.05	2.96	38.40	3.45	44.75	4.33	51.09	5.13
	95	22.53	2.25	27.29	2.69	32.05	3.19	<b>38.40</b>	<b>3.71</b>	44.75	4.74	48.18	5.27
	100	22.53	2.33	27.29	2.80	32.05	3.32	38.40	4.10	44.75	4.97	47.08	5.37
105	22.53	2.42	27.29	2.92	32.05	3.47	38.40	4.29	44.75	5.21	45.94	5.46	
110	22.53	2.53	27.29	3.06	32.05	3.65	36.82	4.30	37.88	4.46	38.95	4.61	
115	22.53	2.58	27.29	3.13	30.85	3.58	31.92	3.72	32.99	3.86	34.05	4.01	

NOTE - Power Input = Compressor + Outdoor Fan Motor.  
 MBH = 1000 BTUs per hour.

**COOLING CAPACITY**

**VPB048H4**

Combination (%)	Outdoor Temperature °F (Dry Bulb)	Indoor Temperature - °F (Dry Bulb / Wet Bulb)											
		67 / 57		71 / 60		75 / 63		80 / 67		85 / 71		90 / 75	
		Total Cap.	Power Input	Total Cap.	Power Input	Total Cap.	Power Input	Total Cap.	Power Input	Total Cap.	Power Input	Total Cap.	Power Input
		MBH	kW	MBH	kW	MBH	kW	MBH	kW	MBH	kW	MBH	kW
70%	5	19.72	1.47	23.88	1.59	28.05	1.71	33.60	1.89	39.15	2.08	44.71	2.28
	10	19.72	1.47	23.88	1.60	28.05	1.73	33.60	1.91	39.15	2.11	44.71	2.32
	15	19.72	1.48	23.88	1.60	28.05	1.74	33.60	1.93	39.15	2.13	44.71	2.35
	20	19.72	1.48	23.88	1.61	28.05	1.75	33.60	1.95	39.15	2.17	44.71	2.40
	25	19.72	1.49	23.88	1.63	28.05	1.77	33.60	1.98	39.15	2.20	44.71	2.44
	30	19.72	1.50	23.88	1.64	28.05	1.79	33.60	2.01	39.15	2.24	44.71	2.50
	35	19.72	1.51	23.88	1.66	28.05	1.82	33.60	2.04	39.15	2.29	44.71	2.56
	40	19.72	1.52	23.88	1.68	28.05	1.84	33.60	2.08	39.15	2.34	44.71	2.62
	45	19.72	1.53	23.88	1.70	28.05	1.87	33.60	2.13	39.15	2.40	44.71	2.70
	50	19.72	1.55	23.88	1.73	28.05	1.91	33.60	2.18	39.15	2.47	44.71	2.79
	55	19.72	1.57	23.88	1.76	28.05	1.95	33.60	2.24	39.15	2.55	44.71	2.89
	60	19.72	1.60	23.88	1.79	28.05	2.01	33.60	2.31	39.15	2.65	44.71	3.01
	65	19.72	1.63	23.88	1.84	28.05	2.06	33.60	2.39	39.15	2.75	44.71	3.15
	70	19.72	1.67	23.88	1.89	28.05	2.13	33.60	2.49	39.15	2.88	44.71	3.31
	75	19.72	1.71	23.88	1.95	28.05	2.22	33.60	2.60	39.15	3.03	44.71	3.49
	80	19.72	1.76	23.88	2.03	28.05	2.32	33.60	2.74	39.15	3.21	44.71	3.72
	85	19.72	1.83	23.88	2.12	28.05	2.44	33.60	2.91	39.15	3.42	44.71	3.99
	90	19.72	1.91	23.88	2.23	28.05	2.59	33.60	3.11	39.15	3.69	44.71	4.32
95	19.72	2.01	23.88	2.37	28.05	2.77	33.60	3.19	39.15	4.02	44.71	4.74	
100	19.72	2.08	23.88	2.46	28.05	2.88	33.60	3.51	39.15	4.20	44.71	4.97	
105	19.72	2.16	23.88	2.56	28.05	3.00	33.60	3.66	39.15	4.40	44.71	5.21	
110	19.72	2.25	23.88	2.68	28.05	3.15	33.60	3.86	37.88	4.46	38.95	4.61	
115	19.72	2.29	23.88	2.73	28.05	3.22	31.92	3.72	32.99	3.86	34.05	4.01	
60%	5	16.90	1.40	20.47	1.49	24.04	1.59	28.80	1.74	33.56	1.89	38.32	2.05
	10	16.90	1.40	20.47	1.50	24.04	1.60	28.80	1.75	33.56	1.91	38.32	2.08
	15	16.90	1.40	20.47	1.50	24.04	1.61	28.80	1.76	33.56	1.93	38.32	2.10
	20	16.90	1.40	20.47	1.51	24.04	1.62	28.80	1.78	33.56	1.95	38.32	2.13
	25	16.90	1.40	20.47	1.51	24.04	1.63	28.80	1.80	33.56	1.98	38.32	2.17
	30	16.90	1.41	20.47	1.52	24.04	1.65	28.80	1.82	33.56	2.01	38.32	2.21
	35	16.90	1.41	20.47	1.53	24.04	1.66	28.80	1.85	33.56	2.04	38.32	2.25
	40	16.90	1.42	20.47	1.55	24.04	1.68	28.80	1.87	33.56	2.08	38.32	2.30
	45	16.90	1.43	20.47	1.56	24.04	1.70	28.80	1.91	33.56	2.13	38.32	2.36
	50	16.90	1.44	20.47	1.58	24.04	1.73	28.80	1.95	33.56	2.18	38.32	2.43
	55	16.90	1.46	20.47	1.61	24.04	1.76	28.80	1.99	33.56	2.24	38.32	2.51
	60	16.90	1.48	20.47	1.63	24.04	1.80	28.80	2.05	33.56	2.31	38.32	2.59
	65	16.90	1.50	20.47	1.67	24.04	1.85	28.80	2.11	33.56	2.39	38.32	2.70
	70	16.90	1.52	20.47	1.70	24.04	1.90	28.80	2.18	33.56	2.49	38.32	2.82
	75	16.90	1.56	20.47	1.75	24.04	1.96	28.80	2.27	33.56	2.60	38.32	2.96
	80	16.90	1.60	20.47	1.81	24.04	2.04	28.80	2.37	33.56	2.74	38.32	3.14
	85	16.90	1.65	20.47	1.88	24.04	2.13	28.80	2.50	33.56	2.90	38.32	3.34
	90	16.90	1.71	20.47	1.96	24.04	2.24	28.80	2.65	33.56	3.10	38.32	3.60
95	16.90	1.79	20.47	2.07	24.04	2.39	<b>28.80</b>	<b>2.77</b>	33.56	3.35	38.32	3.91	
100	16.90	1.85	20.47	2.15	24.04	2.48	28.80	2.96	33.56	3.50	38.32	4.09	
105	16.90	1.91	20.47	2.23	24.04	2.57	28.80	3.09	33.56	3.66	38.32	4.28	
110	16.90	1.99	20.47	2.32	24.04	2.70	28.80	3.24	33.56	3.85	38.32	4.52	
115	16.90	2.02	20.47	2.37	24.04	2.75	28.80	3.31	32.99	3.86	34.05	4.01	

NOTE - Power Input = Compressor + Outdoor Fan Motor.  
 MBH = 1000 BTUs per hour.

**COOLING CAPACITY**

**VPB048H4**

Combination (%)	Outdoor Temperature °F (Dry Bulb)	Indoor Temperature - °F (Dry Bulb / Wet Bulb)											
		67 / 57		71 / 60		75 / 63		80 / 67		85 / 71		90 / 75	
		Total Cap.	Power Input	Total Cap.	Power Input	Total Cap.	Power Input	Total Cap.	Power Input	Total Cap.	Power Input	Total Cap.	Power Input
		MBH	kW	MBH	kW	MBH	kW	MBH	kW	MBH	kW	MBH	kW
50%	5	14.08	1.33	17.06	1.40	20.03	1.48	24.00	1.59	27.97	1.71	31.93	1.84
	10	14.08	1.32	17.06	1.40	20.03	1.48	24.00	1.60	27.97	1.72	31.93	1.85
	15	14.08	1.32	17.06	1.40	20.03	1.49	24.00	1.61	27.97	1.74	31.93	1.87
	20	14.08	1.32	17.06	1.40	20.03	1.49	24.00	1.62	27.97	1.75	31.93	1.89
	25	14.08	1.32	17.06	1.41	20.03	1.50	24.00	1.63	27.97	1.77	31.93	1.92
	30	14.08	1.32	17.06	1.41	20.03	1.51	24.00	1.64	27.97	1.79	31.93	1.94
	35	14.08	1.32	17.06	1.42	20.03	1.52	24.00	1.66	27.97	1.81	31.93	1.97
	40	14.08	1.33	17.06	1.43	20.03	1.53	24.00	1.68	27.97	1.84	31.93	2.01
	45	14.08	1.33	17.06	1.44	20.03	1.55	24.00	1.70	27.97	1.87	31.93	2.05
	50	14.08	1.34	17.06	1.45	20.03	1.56	24.00	1.73	27.97	1.91	31.93	2.10
	55	14.08	1.35	17.06	1.46	20.03	1.59	24.00	1.76	27.97	1.95	31.93	2.15
	60	14.08	1.36	17.06	1.48	20.03	1.61	24.00	1.80	27.97	2.00	31.93	2.22
	65	14.08	1.37	17.06	1.50	20.03	1.64	24.00	1.84	27.97	2.06	31.93	2.29
	70	14.08	1.39	17.06	1.53	20.03	1.68	24.00	1.90	27.97	2.13	31.93	2.38
	75	14.08	1.42	17.06	1.57	20.03	1.73	24.00	1.96	27.97	2.21	31.93	2.48
	80	14.08	1.44	17.06	1.61	20.03	1.78	24.00	2.04	27.97	2.31	31.93	2.61
	85	14.08	1.48	17.06	1.66	20.03	1.85	24.00	2.13	27.97	2.43	31.93	2.76
	90	14.08	1.52	17.06	1.72	20.03	1.93	24.00	2.24	27.97	2.58	31.93	2.94
95	14.08	1.58	17.06	1.80	20.03	2.04	24.00	2.38	27.97	2.76	31.93	3.18	
100	14.08	1.63	17.06	1.86	20.03	2.11	24.00	2.45	27.97	2.87	31.93	3.31	
105	14.08	1.68	17.06	1.92	20.03	2.19	24.00	2.57	27.97	2.99	31.93	3.46	
110	14.08	1.74	17.06	2.00	20.03	2.28	24.00	2.69	27.97	3.14	31.93	3.64	
115	14.08	1.77	17.06	2.04	20.03	2.32	24.00	2.75	27.97	3.21	31.93	3.72	

NOTE - Power Input = Compressor + Outdoor Fan Motor.  
 MBH = 1000 BTUs per hour.

**HEATING CAPACITY**

**VPB048H4**

Combination (%)	Outdoor Temperature (°F)		Indoor Temperature - °F Dry Bulb											
			61		64		67		70		73		75	
	Dry Bulb	Wet Bulb	Total Cap.	Power Input	Total Cap.	Power Input	Total Cap.	Power Input	Total Cap.	Power Input	Total Cap.	Power Input	Total Cap.	Power Input
			MBH	kW	MBH	kW	MBH	kW	MBH	kW	MBH	kW	MBH	kW
130%	-3	-4	33.06	3.85	32.76	3.96	32.46	4.06	32.16	4.16	31.86	4.27	31.66	4.34
	0	-1	35.17	3.95	34.85	4.06	34.53	4.16	34.21	4.27	33.89	4.38	33.68	4.45
	5	2	37.42	4.05	37.08	4.16	36.74	4.27	36.40	4.38	36.06	4.49	35.83	4.56
	7	6	39.75	4.16	39.41	4.26	39.07	4.36	38.73	4.46	38.39	4.56	38.16	4.63
	12	10	41.61	4.23	41.27	4.33	40.93	4.42	40.59	4.52	40.25	4.61	40.02	4.67
	17	15	43.94	4.31	43.60	4.40	43.26	4.48	42.92	4.57	42.58	4.66	42.35	4.72
	22	20	46.27	4.37	45.93	4.45	45.59	4.54	45.25	4.62	44.91	4.70	44.68	4.76
	27	24	48.13	4.41	47.79	4.49	47.45	4.57	47.11	4.65	46.77	4.73	46.54	4.78
	32	29	50.46	4.46	50.12	4.53	49.78	4.61	49.44	4.68	49.10	4.76	48.87	4.81
	37	34	52.79	4.50	52.45	4.57	52.11	4.64	51.77	4.71	51.43	4.78	51.20	4.82
	42	38	54.65	4.52	54.31	4.59	53.97	4.66	53.63	4.72	53.29	4.79	53.06	4.84
	47	43	56.98	4.55	56.64	4.61	56.30	4.68	55.96	4.74	55.62	4.80	55.39	4.85
	52	47	58.84	4.56	58.50	4.63	58.16	4.69	57.82	4.75	57.48	4.81	57.25	4.85
	57	52	61.17	4.58	60.83	4.64	60.49	4.70	60.15	4.76	59.81	4.82	59.58	4.85
	62	56	63.03	4.59	62.69	4.65	62.35	4.71	62.01	4.76	61.67	4.82	60.31	4.73
	67	61	65.36	4.60	65.02	4.66	64.68	4.71	64.34	4.76	63.99	4.76	60.31	4.48
	72	66	67.69	4.61	67.35	4.66	67.01	4.71	66.67	4.76	63.49	4.52	60.31	4.25
	80	67	68.16	4.61	67.82	4.66	67.48	4.71	67.13	4.76	63.49	4.47	60.31	4.21
120%	-3	-4	32.66	4.02	32.38	4.11	32.11	4.21	31.83	4.30	31.55	4.40	31.37	4.46
	0	-1	34.75	4.11	34.45	4.20	34.16	4.30	33.86	4.40	33.56	4.50	33.37	4.56
	5	2	36.96	4.20	36.65	4.30	36.34	4.40	36.02	4.50	35.71	4.60	35.50	4.67
	7	6	39.29	4.29	38.98	4.39	38.66	4.48	38.35	4.57	38.04	4.67	37.83	4.73
	12	10	41.16	4.36	40.84	4.44	40.53	4.53	40.21	4.62	39.90	4.71	39.69	4.77
	17	15	43.48	4.42	43.17	4.51	42.86	4.59	42.54	4.67	42.23	4.75	42.02	4.81
	22	20	45.81	4.48	45.50	4.56	45.18	4.63	44.87	4.71	44.56	4.79	44.35	4.84
	27	24	47.68	4.52	47.36	4.59	47.05	4.66	46.73	4.74	46.42	4.81	46.21	4.86
	32	29	50.01	4.56	49.69	4.63	49.38	4.70	49.06	4.76	48.75	4.83	48.54	4.88
	37	34	52.33	4.59	52.02	4.65	51.70	4.72	51.39	4.78	51.08	4.85	50.87	4.89
	42	38	54.20	4.61	53.88	4.67	53.57	4.74	53.25	4.80	52.94	4.86	52.73	4.90
	47	43	56.53	4.63	56.21	4.69	55.90	4.75	55.58	4.81	55.27	4.87	55.06	4.91
	52	47	58.39	4.65	58.07	4.70	57.76	4.76	57.44	4.82	57.13	4.87	56.67	4.76
	57	52	60.72	4.66	60.40	4.71	60.09	4.77	59.77	4.82	58.60	4.77	55.67	4.49
	62	56	62.58	4.67	62.26	4.72	61.95	4.77	61.64	4.82	58.60	4.57	55.67	4.30
	67	61	64.91	4.67	64.59	4.72	64.28	4.77	63.00	4.72	58.60	4.33	55.67	4.07
	72	66	67.24	4.68	66.92	4.73	66.61	4.77	63.00	4.48	58.60	4.11	55.67	3.87
	80	67	67.70	4.68	67.39	4.73	67.07	4.77	63.00	4.43	58.60	4.07	55.67	3.83
110%	-3	-4	32.26	4.17	32.01	4.26	31.75	4.35	31.50	4.44	31.24	4.52	31.07	4.58
	0	-1	34.32	4.26	34.05	4.35	33.78	4.44	33.51	4.53	33.24	4.62	33.06	4.68
	5	2	36.51	4.34	36.22	4.43	35.93	4.53	35.65	4.62	35.36	4.71	35.17	4.77
	7	6	38.84	4.43	38.55	4.51	38.26	4.60	37.97	4.68	37.69	4.77	37.49	4.83
	12	10	40.70	4.48	40.41	4.56	40.13	4.64	39.84	4.73	39.55	4.81	39.36	4.86
	17	15	43.03	4.54	42.74	4.62	42.45	4.69	42.17	4.77	41.88	4.84	41.69	4.89
	22	20	45.36	4.59	45.07	4.66	44.78	4.73	44.49	4.80	44.21	4.87	44.01	4.92
	27	24	47.22	4.62	46.93	4.69	46.65	4.76	46.36	4.82	46.07	4.89	45.88	4.94
	32	29	49.55	4.66	49.26	4.72	48.97	4.78	48.69	4.85	48.40	4.91	48.21	4.95
	37	34	51.88	4.68	51.59	4.74	51.30	4.80	51.01	4.86	50.73	4.92	50.53	4.96
	42	38	53.74	4.70	53.45	4.76	53.17	4.82	52.88	4.87	52.59	4.93	51.03	4.78
	47	43	56.07	4.72	55.78	4.77	55.49	4.83	55.21	4.88	53.72	4.78	51.03	4.49
	52	47	57.93	4.73	57.65	4.78	57.36	4.83	57.07	4.88	53.72	4.56	51.03	4.29
	57	52	60.26	4.74	59.97	4.79	59.69	4.84	57.75	4.69	53.72	4.30	51.03	4.05
	62	56	62.13	4.74	61.84	4.79	61.55	4.84	57.75	4.49	53.72	4.12	51.03	3.88
	67	61	64.45	4.75	64.17	4.79	61.78	4.61	57.75	4.25	53.72	3.91	51.03	3.69
	72	66	66.78	4.75	65.81	4.72	61.78	4.37	57.75	4.04	53.72	3.72	51.03	3.51
	80	67	67.25	4.75	65.81	4.67	61.78	4.33	57.75	4.00	53.72	3.68	51.03	3.47

NOTE - All Total Capacity and Power Input Data at 2°F Dry Bulb / 1°F Wet Bulb Outdoor Temperature is simulated at these operating conditions.

Recommended minimum heating operating temperature is -4°F.

Power Input = Compressor + Outdoor Fan Motor.

MBH = 1000 BTUs per hour.

**HEATING CAPACITY**

**VPB048H4**

Combination (%)	Outdoor Temperature (°F)		Indoor Temperature - °F Dry Bulb											
			61		64		67		70		73		75	
	Dry Bulb	Wet Bulb	Total Cap.	Power Input	Total Cap.	Power Input	Total Cap.	Power Input	Total Cap.	Power Input	Total Cap.	Power Input	Total Cap.	Power Input
			MBH	kW	MBH	kW	MBH	kW	MBH	kW	MBH	kW	MBH	kW
100%	-3	-4	31.86	4.34	31.63	4.42	31.40	4.50	31.16	4.58	30.93	4.66	30.78	4.71
	0	-1	33.89	4.41	33.65	4.49	33.40	4.58	33.15	4.66	32.91	4.74	32.74	4.80
	5	2	36.06	4.49	35.79	4.57	35.53	4.66	35.27	4.74	35.01	4.82	34.83	4.88
	7	6	38.39	4.56	38.12	4.64	37.86	4.72	37.60	4.79	37.34	4.87	37.16	4.92
	12	10	40.25	4.61	39.99	4.68	39.72	4.76	39.46	4.83	39.20	4.90	39.03	4.95
	17	15	42.58	4.66	42.31	4.73	42.05	4.80	41.79	4.87	41.53	4.93	41.35	4.98
	22	20	44.91	4.70	44.64	4.77	44.38	4.83	44.12	4.89	43.86	4.96	43.68	5.00
	27	24	46.77	4.73	46.51	4.79	46.24	4.85	45.98	4.91	45.72	4.97	45.55	5.01
	32	29	49.10	4.76	48.83	4.81	48.57	4.87	48.31	4.93	48.05	4.99	46.40	4.80
	37	34	51.43	4.78	51.16	4.83	50.90	4.89	50.64	4.94	48.84	4.77	46.40	4.49
	42	38	53.29	4.79	53.03	4.84	52.76	4.89	52.50	4.95	48.84	4.54	46.40	4.27
	47	43	55.62	4.80	55.35	4.85	55.09	4.90	52.50	4.65	48.84	4.27	46.40	4.02
	52	47	57.48	4.81	57.22	4.86	56.16	4.81	52.50	4.43	48.84	4.07	46.40	3.84
	57	52	59.81	4.82	59.55	4.86	56.16	4.54	52.50	4.19	48.84	3.85	46.40	3.63
	62	56	61.67	4.82	59.83	4.68	56.16	4.34	52.50	4.01	48.84	3.69	46.40	3.48
	67	61	63.49	4.76	59.83	4.43	56.16	4.12	52.50	3.81	48.84	3.51	46.40	3.31
	72	66	63.49	4.52	59.83	4.21	56.16	3.91	52.50	3.62	48.84	3.34	46.40	3.15
	80	67	63.49	4.47	59.83	4.17	56.16	3.87	52.50	3.59	48.84	3.31	46.40	3.12
90%	-3	-4	31.46	4.50	31.25	4.57	31.04	4.64	30.83	4.71	30.62	4.79	30.49	4.84
	0	-1	33.47	4.56	33.24	4.64	33.02	4.71	32.80	4.79	32.58	4.86	32.43	4.91
	5	2	35.60	4.63	35.37	4.71	35.13	4.78	34.89	4.86	34.66	4.93	34.50	4.98
	7	6	37.93	4.70	37.70	4.77	37.46	4.84	37.22	4.91	36.99	4.97	36.83	5.02
	12	10	39.79	4.74	39.56	4.80	39.32	4.87	39.09	4.93	38.85	5.00	38.69	5.04
	17	15	42.12	4.78	41.89	4.84	41.65	4.90	41.41	4.96	41.18	5.03	41.02	5.07
	22	20	44.45	4.81	44.22	4.87	43.98	4.93	43.74	4.99	43.51	5.04	41.76	4.81
	27	24	46.31	4.83	46.08	4.89	45.84	4.94	45.61	5.00	43.95	4.83	41.76	4.54
	32	29	48.64	4.86	48.41	4.91	48.17	4.96	47.25	4.91	43.95	4.50	41.76	4.24
	37	34	50.97	4.87	50.74	4.92	50.50	4.97	47.25	4.59	43.95	4.21	41.76	3.97
	42	38	52.83	4.88	52.60	4.93	50.55	4.73	47.25	4.36	43.95	4.01	41.76	3.78
	47	43	55.16	4.89	53.84	4.79	50.55	4.44	47.25	4.11	43.95	3.78	41.76	3.56
	52	47	57.03	4.89	53.84	4.57	50.55	4.24	47.25	3.92	43.95	3.61	41.76	3.41
	57	52	57.14	4.63	53.84	4.32	50.55	4.01	47.25	3.71	43.95	3.42	41.76	3.23
	62	56	57.14	4.43	53.84	4.13	50.55	3.84	47.25	3.55	43.95	3.28	41.76	3.10
	67	61	57.14	4.20	53.84	3.92	50.55	3.64	47.25	3.38	43.95	3.12	41.76	2.95
	72	66	57.14	3.99	53.84	3.73	50.55	3.47	47.25	3.22	43.95	2.97	41.76	2.81
	80	67	57.14	3.95	53.84	3.69	50.55	3.43	47.25	3.19	43.95	2.94	41.76	2.78
80%	-3	-4	31.06	3.78	30.87	3.84	30.69	3.89	30.50	3.94	30.32	4.00	30.19	4.03
	0	-1	33.04	4.25	32.84	4.31	32.65	4.37	32.45	4.43	32.25	4.49	32.12	4.53
	5	2	35.15	4.78	34.94	4.84	34.73	4.91	34.52	4.98	34.31	5.05	34.17	5.09
	7	6	37.48	4.83	37.27	4.89	37.06	4.95	36.85	5.02	36.64	5.08	36.50	5.12
	12	10	39.34	4.86	39.13	4.92	38.92	4.98	38.71	5.04	38.50	5.10	37.12	4.90
	17	15	41.67	4.90	41.46	4.95	41.25	5.01	41.04	5.06	39.07	4.80	37.12	4.52
	22	20	44.00	4.92	43.79	4.98	43.58	5.03	42.00	4.85	39.07	4.45	37.12	4.19
	27	24	45.86	4.94	45.65	4.99	44.93	4.95	42.00	4.57	39.07	4.20	37.12	3.96
	32	29	48.19	4.96	47.86	4.98	44.93	4.62	42.00	4.27	39.07	3.92	37.12	3.70
	37	34	50.52	4.97	47.86	4.66	44.93	4.32	42.00	4.00	39.07	3.68	37.12	3.47
	42	38	50.79	4.75	47.86	4.43	44.93	4.11	42.00	3.80	39.07	3.51	37.12	3.31
	47	43	50.79	4.47	47.86	4.17	44.93	3.87	42.00	3.59	39.07	3.31	37.12	3.13
	52	47	50.79	4.26	47.86	3.98	44.93	3.70	42.00	3.43	39.07	3.16	37.12	2.99
	57	52	50.79	4.03	47.86	3.76	44.93	3.50	42.00	3.25	39.07	3.00	37.12	2.84
	62	56	50.79	3.86	47.86	3.61	44.93	3.36	42.00	3.12	39.07	2.88	37.12	2.73
	67	61	50.79	3.66	47.86	3.43	44.93	3.19	42.00	2.97	39.07	2.74	37.12	2.60
	72	66	50.79	3.49	47.86	3.26	44.93	3.04	42.00	2.83	39.07	2.62	37.12	2.48
	80	67	50.79	3.45	47.86	3.23	44.93	3.01	42.00	2.80	39.07	2.60	37.12	2.46

NOTE - All Total Capacity and Power Input Data at 2°F Dry Bulb / 1°F Wet Bulb Outdoor Temperature is simulated at these operating conditions.

Recommended minimum heating operating temperature is -4°F.

Power Input = Compressor + Outdoor Fan Motor.

MBH = 1000 BTUs per hour.

**HEATING CAPACITY**

**VPB048H4**

Combination (%)	Outdoor Temperature (°F)		Indoor Temperature - °F Dry Bulb											
			61		64		67		70		73		75	
	Dry Bulb	Wet Bulb	Total Cap.	Power Input	Total Cap.	Power Input	Total Cap.	Power Input	Total Cap.	Power Input	Total Cap.	Power Input	Total Cap.	Power Input
			MBH	kW	MBH	kW	MBH	kW	MBH	kW	MBH	kW	MBH	kW
70%	-3	-4	30.66	4.83	30.49	4.88	30.33	4.94	30.17	5.00	30.01	5.05	28.70	4.80
	0	-1	32.61	4.87	32.44	4.93	32.27	4.99	32.09	5.05	31.92	5.11	30.53	4.85
	5	2	34.69	4.92	34.51	4.98	34.33	5.04	34.14	5.10	33.96	5.16	32.48	4.90
	7	6	37.02	4.96	36.84	5.02	36.66	5.07	36.47	5.13	34.19	4.75	32.48	4.47
	12	10	38.89	4.99	38.70	5.04	38.52	5.09	36.75	4.84	34.19	4.44	32.48	4.18
	17	15	41.21	5.02	41.03	5.06	39.31	4.84	36.75	4.46	34.19	4.10	32.48	3.87
	22	20	43.54	5.03	41.88	4.83	39.31	4.48	36.75	4.14	34.19	3.81	32.48	3.60
	27	24	44.44	4.89	41.88	4.56	39.31	4.23	36.75	3.91	34.19	3.60	32.48	3.40
	32	29	44.44	4.56	41.88	4.25	39.31	3.95	36.75	3.66	34.19	3.37	32.48	3.19
	37	34	44.44	4.27	41.88	3.98	39.31	3.71	36.75	3.44	34.19	3.17	32.48	3.00
	42	38	44.44	4.06	41.88	3.79	39.31	3.53	36.75	3.27	34.19	3.03	32.48	2.86
	47	43	44.44	3.82	41.88	3.58	39.31	3.33	36.75	3.09	34.19	2.86	32.48	2.71
	52	47	44.44	3.65	41.88	3.42	39.31	3.19	36.75	2.96	34.19	2.74	32.48	2.60
	57	52	44.44	3.46	41.88	3.24	39.31	3.02	36.75	2.81	34.19	2.60	32.48	2.47
	62	56	44.44	3.32	41.88	3.11	39.31	2.90	36.75	2.70	34.19	2.50	32.48	2.37
	67	61	44.44	3.16	41.88	2.96	39.31	2.76	36.75	2.57	34.19	2.39	32.48	2.27
	72	66	44.44	3.01	41.88	2.82	39.31	2.64	36.75	2.46	34.19	2.28	32.48	2.17
	80	67	44.44	2.98	41.88	2.79	39.31	2.61	36.75	2.44	34.19	2.26	32.48	2.15
60%	-3	-4	29.93	4.97	29.80	5.02	29.46	5.02	27.54	4.63	25.62	4.25	24.34	4.00
	0	-1	32.01	5.02	31.87	5.07	31.51	5.07	29.45	4.67	27.40	4.29	26.03	4.05
	5	2	34.24	5.07	34.08	5.12	33.70	5.12	31.50	4.72	29.30	4.34	27.84	4.09
	7	6	36.57	5.10	35.90	5.04	33.70	4.67	31.50	4.32	29.30	3.97	27.84	3.75
	12	10	38.09	5.05	35.90	4.70	33.70	4.37	31.50	4.04	29.30	3.72	27.84	3.51
	17	15	38.09	4.66	35.90	4.34	33.70	4.04	31.50	3.74	29.30	3.45	27.84	3.26
	22	20	38.09	4.32	35.90	4.03	33.70	3.75	31.50	3.48	29.30	3.21	27.84	3.03
	27	24	38.09	4.08	35.90	3.81	33.70	3.55	31.50	3.29	29.30	3.04	27.84	2.88
	32	29	38.09	3.81	35.90	3.56	33.70	3.32	31.50	3.08	29.30	2.85	27.84	2.70
	37	34	38.09	3.58	35.90	3.35	33.70	3.12	31.50	2.90	29.30	2.69	27.84	2.55
	42	38	38.09	3.41	35.90	3.19	33.70	2.98	31.50	2.77	29.30	2.57	27.84	2.44
	47	43	38.09	3.22	35.90	3.01	33.70	2.82	31.50	2.62	29.30	2.43	27.84	2.31
	52	47	38.09	3.08	35.90	2.89	33.70	2.70	31.50	2.52	29.30	2.34	27.84	2.22
	57	52	38.09	2.92	35.90	2.74	33.70	2.56	31.50	2.39	29.30	2.22	27.84	2.11
	62	56	38.09	2.80	35.90	2.63	33.70	2.47	31.50	2.30	29.30	2.14	27.84	2.03
	67	61	38.09	2.67	35.90	2.51	33.70	2.35	31.50	2.20	29.30	2.05	27.84	1.95
	72	66	38.09	2.55	35.90	2.40	33.70	2.25	31.50	2.10	29.30	1.96	27.84	1.86
	80	67	38.09	2.53	35.90	2.38	33.70	2.23	31.50	2.08	29.30	1.94	27.84	1.85
50%	-3	-4	31.74	5.66	29.91	5.28	28.08	4.90	26.25	4.54	24.42	4.19	23.20	3.96
	0	-1	31.74	5.19	29.91	4.84	28.08	4.50	26.25	4.17	24.42	3.84	23.20	3.63
	5	2	31.74	4.76	29.91	4.44	28.08	4.13	26.25	3.82	24.42	3.52	23.20	3.33
	7	6	31.74	4.36	29.91	4.07	28.08	3.78	26.25	3.51	24.42	3.24	23.20	3.06
	12	10	31.74	4.07	29.91	3.81	28.08	3.55	26.25	3.29	24.42	3.04	23.20	2.88
	17	15	31.74	3.77	29.91	3.53	28.08	3.29	26.25	3.05	24.42	2.83	23.20	2.68
	22	20	31.74	3.51	29.91	3.28	28.08	3.06	26.25	2.85	24.42	2.64	23.20	2.51
	27	24	31.74	3.32	29.91	3.11	28.08	2.90	26.25	2.70	24.42	2.51	23.20	2.38
	32	29	31.74	3.11	29.91	2.92	28.08	2.73	26.25	2.54	24.42	2.36	23.20	2.24
	37	34	31.74	2.93	29.91	2.75	28.08	2.57	26.25	2.40	24.42	2.23	23.20	2.12
	42	38	31.74	2.79	29.91	2.63	28.08	2.46	26.25	2.30	24.42	2.14	23.20	2.03
	47	43	31.74	2.64	29.91	2.49	28.08	2.33	26.25	2.18	24.42	2.03	23.20	1.93
	52	47	31.74	2.54	29.91	2.39	28.08	2.24	26.25	2.09	24.42	1.95	23.20	1.86
	57	52	31.74	2.41	29.91	2.27	28.08	2.13	26.25	1.99	24.42	1.86	23.20	1.77
	62	56	31.74	2.32	29.91	2.18	28.08	2.05	26.25	1.92	24.42	1.79	23.20	1.71
	67	61	31.74	2.21	29.91	2.09	28.08	1.96	26.25	1.84	24.42	1.72	23.20	1.64
	72	66	31.74	2.12	29.91	2.00	28.08	1.88	26.25	1.76	24.42	1.65	23.20	1.57
	80	67	31.74	2.10	29.91	1.98	28.08	1.86	26.25	1.75	24.42	1.64	23.20	1.56

NOTE - All Total Capacity and Power Input Data at 2°F Dry Bulb / 1°F Wet Bulb Outdoor Temperature is simulated at these operating conditions.

**Recommended minimum heating operating temperature is -4°F.**

Power Input = Compressor + Outdoor Fan Motor.

MBH = 1000 BTUs per hour.



**COOLING CAPACITY**

**VPB060H4**

Combination (%)	Outdoor Temperature °F (Dry Bulb)	Indoor Temperature - °F (Dry Bulb / Wet Bulb)											
		67 / 57		71 / 60		75 / 63		80 / 67		85 / 71		90 / 75	
		Total Cap.	Power Input	Total Cap.	Power Input	Total Cap.	Power Input	Total Cap.	Power Input	Total Cap.	Power Input	Total Cap.	Power Input
		MBH	kW	MBH	kW	MBH	kW	MBH	kW	MBH	kW	MBH	kW
130%	5	45.77	2.15	55.44	2.41	65.11	2.69	78.00	3.09	90.89	3.53	103.79	4.00
	10	45.77	2.17	55.44	2.43	65.11	2.72	78.00	3.14	90.89	3.60	103.79	4.10
	15	45.77	2.18	55.44	2.46	65.11	2.76	78.00	3.20	90.89	3.69	103.79	4.21
	20	45.77	2.20	55.44	2.50	65.11	2.81	78.00	3.27	90.89	3.78	103.79	4.33
	25	45.77	2.23	55.44	2.53	65.11	2.87	78.00	3.35	90.89	3.89	103.79	4.47
	30	45.77	2.26	55.44	2.58	65.11	2.93	78.00	3.44	90.89	4.01	103.79	4.62
	35	45.77	2.29	55.44	2.63	65.11	3.00	78.00	3.55	90.89	4.15	103.79	4.80
	40	45.77	2.33	55.44	2.69	65.11	3.09	78.00	3.67	90.89	4.31	103.79	5.01
	45	45.77	2.38	55.44	2.77	65.11	3.19	78.00	3.80	90.89	4.49	103.79	5.24
	50	45.77	2.44	55.44	2.85	65.11	3.30	78.00	3.97	90.89	4.70	103.79	5.51
	55	45.77	2.51	55.44	2.95	65.11	3.44	78.00	4.15	90.89	4.95	103.79	5.83
	60	45.77	2.59	55.44	3.07	65.11	3.60	78.00	4.38	90.89	5.25	103.79	6.20
	65	45.77	2.70	55.44	3.21	65.11	3.79	78.00	4.64	90.89	5.60	101.48	6.47
	70	45.77	2.82	55.44	3.39	65.11	4.02	78.00	4.96	90.89	6.02	94.99	6.45
	75	45.77	2.97	55.44	3.60	65.11	4.30	78.00	5.36	87.75	6.26	88.50	6.44
	80	45.77	3.16	55.44	3.86	65.11	4.66	78.00	5.84	81.26	6.26	82.01	6.45
	85	45.77	3.40	55.44	4.20	65.11	5.10	74.02	6.06	74.77	6.26	75.52	6.47
	90	45.77	3.70	55.44	4.63	65.11	5.68	67.54	6.07	68.29	6.29	68.89	6.47
	95	45.77	4.11	55.44	5.21	60.30	5.87	61.05	6.11	61.68	6.31	61.76	6.33
	100	45.77	4.38	54.47	5.48	55.04	5.67	55.20	5.72	55.28	5.75	55.36	5.77
105	45.77	4.73	49.07	5.23	49.13	5.25	49.21	5.28	49.29	5.31	49.36	5.34	
110	37.35	4.07	38.35	4.21	39.35	4.35	40.68	4.54	42.01	4.74	42.37	4.81	
115	31.05	3.42	32.05	3.55	33.05	3.68	34.38	3.87	35.71	4.06	37.05	4.25	
120%	5	42.25	2.06	51.17	2.29	60.10	2.54	72.00	2.90	83.90	3.29	95.80	3.71
	10	42.25	2.07	51.17	2.31	60.10	2.57	72.00	2.94	83.90	3.35	95.80	3.79
	15	42.25	2.09	51.17	2.34	60.10	2.61	72.00	2.99	83.90	3.42	95.80	3.88
	20	42.25	2.10	51.17	2.36	60.10	2.65	72.00	3.05	83.90	3.50	95.80	3.98
	25	42.25	2.12	51.17	2.40	60.10	2.69	72.00	3.12	83.90	3.59	95.80	4.10
	30	42.25	2.15	51.17	2.43	60.10	2.75	72.00	3.20	83.90	3.70	95.80	4.24
	35	42.25	2.18	51.17	2.48	60.10	2.81	72.00	3.29	83.90	3.81	95.80	4.39
	40	42.25	2.21	51.17	2.53	60.10	2.88	72.00	3.39	83.90	3.95	95.80	4.57
	45	42.25	2.25	51.17	2.59	60.10	2.96	72.00	3.51	83.90	4.11	95.80	4.77
	50	42.25	2.30	51.17	2.67	60.10	3.06	72.00	3.65	83.90	4.29	95.80	5.00
	55	42.25	2.36	51.17	2.75	60.10	3.18	72.00	3.81	83.90	4.51	95.80	5.28
	60	42.25	2.43	51.17	2.85	60.10	3.32	72.00	4.00	83.90	4.76	95.80	5.60
	65	42.25	2.52	51.17	2.98	60.10	3.48	72.00	4.23	83.90	5.07	95.80	5.99
	70	42.25	2.63	51.17	3.13	60.10	3.68	72.00	4.51	83.90	5.43	94.52	6.35
	75	42.25	2.76	51.17	3.31	60.10	3.93	72.00	4.85	83.90	5.88	88.04	6.33
	80	42.25	2.92	51.17	3.54	60.10	4.24	72.00	5.27	80.85	6.15	81.55	6.33
	85	42.25	3.13	51.17	3.83	60.10	4.62	72.00	5.80	74.37	6.15	75.06	6.34
	90	42.25	3.40	51.17	4.21	60.10	5.12	67.19	5.97	67.88	6.17	68.57	6.38
	95	42.25	3.75	51.17	4.71	60.01	5.77	60.70	5.99	61.39	6.22	61.76	6.33
	100	42.25	3.97	51.17	5.04	54.74	5.57	55.20	5.72	55.28	5.75	55.36	5.77
105	42.25	4.27	48.96	5.19	49.13	5.25	49.21	5.28	49.29	5.31	49.36	5.34	
110	37.35	4.07	38.35	4.21	39.35	4.35	40.68	4.54	42.01	4.74	42.37	4.81	
115	31.05	3.42	32.05	3.55	33.05	3.68	34.38	3.87	35.71	4.06	37.05	4.25	

NOTE - Power Input = Compressor + Outdoor Fan Motor.  
MBH = 1000 BTUs per hour.

**COOLING CAPACITY**

**VPB060H4**

Combination (%)	Outdoor Temperature °F (Dry Bulb)	Indoor Temperature - °F (Dry Bulb / Wet Bulb)											
		67 / 57		71 / 60		75 / 63		80 / 67		85 / 71		90 / 75	
		Total Cap.	Power Input	Total Cap.	Power Input	Total Cap.	Power Input	Total Cap.	Power Input	Total Cap.	Power Input	Total Cap.	Power Input
		MBH	kW	MBH	kW	MBH	kW	MBH	kW	MBH	kW	MBH	kW
110%	5	38.73	1.98	46.91	2.18	55.09	2.40	66.00	2.71	76.91	3.05	87.82	3.42
	10	38.73	1.98	46.91	2.20	55.09	2.42	66.00	2.75	76.91	3.11	87.82	3.49
	15	38.73	1.99	46.91	2.21	55.09	2.45	66.00	2.79	76.91	3.17	87.82	3.57
	20	38.73	2.01	46.91	2.24	55.09	2.48	66.00	2.84	76.91	3.23	87.82	3.66
	25	38.73	2.02	46.91	2.26	55.09	2.52	66.00	2.90	76.91	3.31	87.82	3.76
	30	38.73	2.04	46.91	2.29	55.09	2.57	66.00	2.96	76.91	3.40	87.82	3.87
	35	38.73	2.07	46.91	2.33	55.09	2.62	66.00	3.04	76.91	3.50	87.82	4.00
	40	38.73	2.09	46.91	2.37	55.09	2.68	66.00	3.13	76.91	3.62	87.82	4.15
	45	38.73	2.13	46.91	2.43	55.09	2.75	66.00	3.23	76.91	3.75	87.82	4.32
	50	38.73	2.17	46.91	2.49	55.09	2.84	66.00	3.35	76.91	3.91	87.82	4.52
	55	38.73	2.22	46.91	2.56	55.09	2.93	66.00	3.48	76.91	4.09	87.82	4.75
	60	38.73	2.28	46.91	2.65	55.09	3.05	66.00	3.65	76.91	4.31	87.82	5.03
	65	38.73	2.35	46.91	2.75	55.09	3.19	66.00	3.84	76.91	4.57	87.82	5.36
	70	38.73	2.44	46.91	2.88	55.09	3.37	66.00	4.08	76.91	4.88	87.82	5.76
	75	38.73	2.56	46.91	3.04	55.09	3.58	66.00	4.37	76.91	5.26	87.57	6.22
	80	38.73	2.70	46.91	3.24	55.09	3.84	66.00	4.73	76.91	5.74	81.08	6.21
	85	38.73	2.87	46.91	3.49	55.09	4.17	66.00	5.19	73.96	6.04	74.59	6.22
	90	38.73	3.10	46.91	3.81	55.09	4.60	66.00	5.78	67.47	6.05	68.11	6.24
95	38.73	3.41	46.91	4.24	55.09	5.16	60.35	5.88	60.98	6.09	61.62	6.29	
100	38.73	3.59	46.91	4.51	54.45	5.47	55.09	5.68	55.28	5.75	55.36	5.77	
105	38.73	3.84	46.91	4.88	49.13	5.25	49.21	5.28	49.29	5.31	49.36	5.34	
110	37.35	4.07	38.35	4.21	39.35	4.35	40.68	4.54	42.01	4.74	42.37	4.81	
115	31.05	3.42	32.05	3.55	33.05	3.68	34.38	3.87	35.71	4.06	37.05	4.25	
100%	5	35.21	1.89	42.64	2.07	50.08	2.26	60.00	2.54	69.92	2.83	79.83	3.15
	10	35.21	1.90	42.64	2.08	50.08	2.28	60.00	2.57	69.92	2.88	79.83	3.21
	15	35.21	1.91	42.64	2.10	50.08	2.30	60.00	2.60	69.92	2.92	79.83	3.27
	20	35.21	1.91	42.64	2.11	50.08	2.33	60.00	2.64	69.92	2.98	79.83	3.34
	25	35.21	1.92	42.64	2.14	50.08	2.36	60.00	2.69	69.92	3.04	79.83	3.43
	30	35.21	1.94	42.64	2.16	50.08	2.40	60.00	2.74	69.92	3.12	79.83	3.52
	35	35.21	1.96	42.64	2.19	50.08	2.44	60.00	2.80	69.92	3.20	79.83	3.63
	40	35.21	1.98	42.64	2.23	50.08	2.49	60.00	2.88	69.92	3.30	79.83	3.75
	45	35.21	2.01	42.64	2.27	50.08	2.55	60.00	2.96	69.92	3.41	79.83	3.90
	50	35.21	2.04	42.64	2.32	50.08	2.62	60.00	3.06	69.92	3.54	79.83	4.07
	55	35.21	2.08	42.64	2.38	50.08	2.70	60.00	3.17	69.92	3.69	79.83	4.26
	60	35.21	2.13	42.64	2.45	50.08	2.80	60.00	3.31	69.92	3.88	79.83	4.50
	65	35.21	2.19	42.64	2.54	50.08	2.92	60.00	3.48	69.92	4.10	79.83	4.77
	70	35.21	2.27	42.64	2.65	50.08	3.06	60.00	3.68	69.92	4.36	79.83	5.11
	75	35.21	2.36	42.64	2.78	50.08	3.24	60.00	3.92	69.92	4.68	79.83	5.52
	80	35.21	2.48	42.64	2.95	50.08	3.46	60.00	4.23	69.92	5.08	79.83	6.02
	85	35.21	2.63	42.64	3.16	50.08	3.74	60.00	4.61	69.92	5.59	74.13	6.09
	90	35.21	2.83	42.64	3.43	50.08	4.10	60.00	5.11	67.07	5.93	67.64	6.10
<b>95</b>	35.21	3.09	42.64	3.79	50.08	4.58	<b>60.00</b>	<b>5.77</b>	60.58	5.96	61.15	6.14	
100	35.21	3.23	42.64	4.02	50.08	4.90	54.74	5.57	55.28	5.75	55.36	5.77	
105	35.21	3.44	42.64	4.32	48.90	5.17	49.21	5.28	49.29	5.31	49.36	5.34	
110	35.21	3.78	38.35	4.21	39.35	4.35	40.68	4.54	42.01	4.74	42.37	4.81	
115	31.05	3.42	32.05	3.55	33.05	3.68	34.38	3.87	35.71	4.06	37.05	4.25	

NOTE - Power Input = Compressor + Outdoor Fan Motor.  
MBH = 1000 BTUs per hour.



**COOLING CAPACITY**

**VPB060H4**

Combination (%)	Outdoor Temperature °F (Dry Bulb)	Indoor Temperature - °F (Dry Bulb / Wet Bulb)											
		67 / 57		71 / 60		75 / 63		80 / 67		85 / 71		90 / 75	
		Total Cap.	Power Input	Total Cap.	Power Input	Total Cap.	Power Input	Total Cap.	Power Input	Total Cap.	Power Input	Total Cap.	Power Input
		MBH	kW	MBH	kW	MBH	kW	MBH	kW	MBH	kW	MBH	kW
90%	5	31.69	1.81	38.38	1.97	45.07	2.13	54.00	2.37	62.93	2.62	71.85	2.89
	10	31.69	1.82	38.38	1.98	45.07	2.15	54.00	2.39	62.93	2.66	71.85	2.94
	15	31.69	1.82	38.38	1.99	45.07	2.16	54.00	2.42	62.93	2.69	71.85	2.99
	20	31.69	1.82	38.38	2.00	45.07	2.18	54.00	2.45	62.93	2.74	71.85	3.05
	25	31.69	1.83	38.38	2.01	45.07	2.21	54.00	2.49	62.93	2.79	71.85	3.12
	30	31.69	1.84	38.38	2.03	45.07	2.24	54.00	2.53	62.93	2.85	71.85	3.19
	35	31.69	1.85	38.38	2.05	45.07	2.27	54.00	2.58	62.93	2.92	71.85	3.28
	40	31.69	1.87	38.38	2.08	45.07	2.31	54.00	2.64	62.93	3.00	71.85	3.38
	45	31.69	1.89	38.38	2.12	45.07	2.36	54.00	2.71	62.93	3.09	71.85	3.50
	50	31.69	1.92	38.38	2.16	45.07	2.41	54.00	2.79	62.93	3.20	71.85	3.64
	55	31.69	1.95	38.38	2.21	45.07	2.48	54.00	2.88	62.93	3.32	71.85	3.80
	60	31.69	1.99	38.38	2.26	45.07	2.56	54.00	3.00	62.93	3.47	71.85	3.99
	65	31.69	2.04	38.38	2.34	45.07	2.66	54.00	3.13	62.93	3.65	71.85	4.22
	70	31.69	2.10	38.38	2.43	45.07	2.78	54.00	3.30	62.93	3.87	71.85	4.50
	75	31.69	2.18	38.38	2.54	45.07	2.93	54.00	3.50	62.93	4.14	71.85	4.84
	80	31.69	2.28	38.38	2.67	45.07	3.11	54.00	3.75	62.93	4.47	71.85	5.26
	85	31.69	2.40	38.38	2.85	45.07	3.34	54.00	4.07	62.93	4.89	71.85	5.79
	90	31.69	2.57	38.38	3.08	45.07	3.64	54.00	4.49	62.93	5.43	67.18	5.97
95	31.69	2.78	38.38	3.38	45.07	4.04	54.00	5.03	60.17	5.82	60.69	5.99	
100	31.69	2.90	38.38	3.56	45.07	4.30	54.00	5.40	54.91	5.62	55.36	5.77	
105	31.69	3.06	38.38	3.80	45.07	4.64	49.13	5.25	49.29	5.31	49.36	5.34	
110	31.69	3.34	38.35	4.21	39.35	4.35	40.68	4.54	42.01	4.74	42.37	4.81	
115	31.05	3.42	32.05	3.55	33.05	3.68	34.38	3.87	35.71	4.06	37.05	4.25	
80%	5	28.17	1.74	34.12	1.87	40.07	2.01	48.00	2.21	55.93	2.42	63.87	2.65
	10	28.17	1.74	34.12	1.87	40.07	2.02	48.00	2.23	55.93	2.45	63.87	2.68
	15	28.17	1.74	34.12	1.88	40.07	2.03	48.00	2.25	55.93	2.48	63.87	2.72
	20	28.17	1.74	34.12	1.89	40.07	2.04	48.00	2.27	55.93	2.51	63.87	2.77
	25	28.17	1.74	34.12	1.90	40.07	2.06	48.00	2.30	55.93	2.55	63.87	2.82
	30	28.17	1.75	34.12	1.91	40.07	2.08	48.00	2.33	55.93	2.60	63.87	2.88
	35	28.17	1.75	34.12	1.92	40.07	2.11	48.00	2.37	55.93	2.65	63.87	2.95
	40	28.17	1.77	34.12	1.95	40.07	2.14	48.00	2.41	55.93	2.71	63.87	3.04
	45	28.17	1.78	34.12	1.97	40.07	2.17	48.00	2.47	55.93	2.79	63.87	3.13
	50	28.17	1.80	34.12	2.00	40.07	2.22	48.00	2.53	55.93	2.87	63.87	3.24
	55	28.17	1.83	34.12	2.04	40.07	2.27	48.00	2.61	55.93	2.98	63.87	3.37
	60	28.17	1.86	34.12	2.09	40.07	2.34	48.00	2.70	55.93	3.10	63.87	3.53
	65	28.17	1.90	34.12	2.15	40.07	2.42	48.00	2.81	55.93	3.24	63.87	3.71
	70	28.17	1.95	34.12	2.22	40.07	2.51	48.00	2.94	55.93	3.42	63.87	3.94
	75	28.17	2.01	34.12	2.31	40.07	2.63	48.00	3.11	55.93	3.63	63.87	4.21
	80	28.17	2.09	34.12	2.42	40.07	2.78	48.00	3.31	55.93	3.90	63.87	4.55
	85	28.17	2.19	34.12	2.56	40.07	2.97	48.00	3.57	55.93	4.24	63.87	4.98
	90	28.17	2.32	34.12	2.74	40.07	3.21	48.00	3.91	55.93	4.68	63.87	5.54
95	28.17	2.50	34.12	2.99	40.07	3.54	<b>48.00</b>	<b>4.35</b>	55.93	5.27	60.23	5.84	
100	28.17	2.58	34.12	3.13	40.07	3.73	48.00	4.64	54.50	5.49	54.96	5.64	
105	28.17	2.71	34.12	3.32	40.07	4.00	48.00	5.03	49.24	5.29	49.36	5.34	
110	28.17	2.92	34.12	3.64	39.35	4.35	40.68	4.54	42.01	4.74	42.37	4.81	
115	28.17	3.05	32.05	3.55	33.05	3.68	34.38	3.87	35.71	4.06	37.05	4.25	

NOTE - Power Input = Compressor + Outdoor Fan Motor.  
MBH = 1000 BTUs per hour.

**COOLING CAPACITY**

**VPB060H4**

Combination (%)	Outdoor Temperature °F (Dry Bulb)	Indoor Temperature - °F (Dry Bulb / Wet Bulb)											
		67 / 57		71 / 60		75 / 63		80 / 67		85 / 71		90 / 75	
		Total Cap.	Power Input	Total Cap.	Power Input	Total Cap.	Power Input	Total Cap.	Power Input	Total Cap.	Power Input	Total Cap.	Power Input
		MBH	kW	MBH	kW	MBH	kW	MBH	kW	MBH	kW	MBH	kW
70%	5	24.64	1.66	29.85	1.77	35.06	1.89	42.00	2.06	48.94	2.23	55.88	2.42
	10	24.64	1.66	29.85	1.77	35.06	1.90	42.00	2.07	48.94	2.25	55.88	2.45
	15	24.64	1.65	29.85	1.77	35.06	1.90	42.00	2.08	48.94	2.27	55.88	2.48
	20	24.64	1.65	29.85	1.78	35.06	1.91	42.00	2.10	48.94	2.30	55.88	2.51
	25	24.64	1.65	29.85	1.78	35.06	1.92	42.00	2.12	48.94	2.33	55.88	2.55
	30	24.64	1.66	29.85	1.79	35.06	1.94	42.00	2.14	48.94	2.36	55.88	2.60
	35	24.64	1.66	29.85	1.80	35.06	1.95	42.00	2.17	48.94	2.40	55.88	2.65
	40	24.64	1.67	29.85	1.82	35.06	1.98	42.00	2.20	48.94	2.45	55.88	2.71
	45	24.64	1.68	29.85	1.83	35.06	2.00	42.00	2.24	48.94	2.50	55.88	2.78
	50	24.64	1.69	29.85	1.86	35.06	2.04	42.00	2.29	48.94	2.57	55.88	2.87
	55	24.64	1.71	29.85	1.88	35.06	2.08	42.00	2.35	48.94	2.65	55.88	2.97
	60	24.64	1.73	29.85	1.92	35.06	2.13	42.00	2.42	48.94	2.75	55.88	3.09
	65	24.64	1.76	29.85	1.96	35.06	2.19	42.00	2.51	48.94	2.86	55.88	3.24
	70	24.64	1.80	29.85	2.02	35.06	2.26	42.00	2.61	48.94	3.00	55.88	3.42
	75	24.64	1.84	29.85	2.09	35.06	2.36	42.00	2.74	48.94	3.17	55.88	3.63
	80	24.64	1.91	29.85	2.18	35.06	2.47	42.00	2.90	48.94	3.38	55.88	3.90
	85	24.64	1.99	29.85	2.29	35.06	2.62	42.00	3.11	48.94	3.65	55.88	4.24
	90	24.64	2.09	29.85	2.44	35.06	2.82	42.00	3.38	48.94	4.00	55.88	4.68
95	24.64	2.23	29.85	2.63	35.06	3.07	42.00	3.73	48.94	4.46	55.88	5.26	
100	24.64	2.29	29.85	2.73	35.06	3.22	42.00	3.95	48.94	4.76	54.50	5.49	
105	24.64	2.38	29.85	2.87	35.06	3.42	42.00	4.24	48.83	5.15	49.24	5.29	
110	24.64	2.54	29.85	3.12	35.06	3.77	40.68	4.54	42.01	4.74	42.37	4.81	
115	24.64	2.64	29.85	3.26	33.05	3.68	34.38	3.87	35.71	4.06	37.05	4.25	
60%	5	21.12	1.59	25.59	1.68	30.05	1.78	36.00	1.91	41.95	2.06	47.90	2.21
	10	21.12	1.58	25.59	1.68	30.05	1.78	36.00	1.92	41.95	2.07	47.90	2.22
	15	21.12	1.58	25.59	1.68	30.05	1.78	36.00	1.92	41.95	2.08	47.90	2.24
	20	21.12	1.57	25.59	1.68	30.05	1.78	36.00	1.93	41.95	2.10	47.90	2.27
	25	21.12	1.57	25.59	1.68	30.05	1.79	36.00	1.95	41.95	2.12	47.90	2.29
	30	21.12	1.57	25.59	1.68	30.05	1.80	36.00	1.96	41.95	2.14	47.90	2.33
	35	21.12	1.57	25.59	1.68	30.05	1.81	36.00	1.98	41.95	2.17	47.90	2.36
	40	21.12	1.57	25.59	1.69	30.05	1.82	36.00	2.00	41.95	2.20	47.90	2.41
	45	21.12	1.58	25.59	1.70	30.05	1.84	36.00	2.03	41.95	2.24	47.90	2.46
	50	21.12	1.58	25.59	1.72	30.05	1.86	36.00	2.07	41.95	2.29	47.90	2.53
	55	21.12	1.59	25.59	1.74	30.05	1.89	36.00	2.11	41.95	2.35	47.90	2.60
	60	21.12	1.61	25.59	1.76	30.05	1.93	36.00	2.16	41.95	2.42	47.90	2.70
	65	21.12	1.63	25.59	1.79	30.05	1.97	36.00	2.23	41.95	2.51	47.90	2.80
	70	21.12	1.66	25.59	1.84	30.05	2.03	36.00	2.31	41.95	2.61	47.90	2.94
	75	21.12	1.69	25.59	1.89	30.05	2.10	36.00	2.41	41.95	2.74	47.90	3.10
	80	21.12	1.74	25.59	1.95	30.05	2.19	36.00	2.53	41.95	2.90	47.90	3.31
	85	21.12	1.80	25.59	2.04	30.05	2.30	36.00	2.68	41.95	3.11	47.90	3.56
	90	21.12	1.88	25.59	2.15	30.05	2.45	36.00	2.89	41.95	3.37	47.90	3.90
95	21.12	1.98	25.59	2.30	30.05	2.65	<b>36.00</b>	<b>3.16</b>	41.95	3.72	47.90	4.34	
100	21.12	2.02	25.59	2.37	30.05	2.75	36.00	3.31	41.95	3.94	47.90	4.63	
105	21.12	2.08	25.59	2.46	30.05	2.89	36.00	3.53	41.95	4.24	47.90	5.02	
110	21.12	2.19	25.59	2.64	30.05	3.14	36.00	3.89	41.95	4.73	42.37	4.81	
115	21.12	2.28	25.59	2.74	30.05	3.29	34.38	3.87	35.71	4.06	37.05	4.25	

NOTE - Power Input = Compressor + Outdoor Fan Motor.  
MBH = 1000 BTUs per hour.

**COOLING CAPACITY**

**VPB060H4**

Combination (%)	Outdoor Temperature °F (Dry Bulb)	Indoor Temperature - °F (Dry Bulb / Wet Bulb)											
		67 / 57		71 / 60		75 / 63		80 / 67		85 / 71		90 / 75	
		Total Cap.	Power Input	Total Cap.	Power Input	Total Cap.	Power Input	Total Cap.	Power Input	Total Cap.	Power Input	Total Cap.	Power Input
		MBH	kW	MBH	kW	MBH	kW	MBH	kW	MBH	kW	MBH	kW
50%	5	17.60	1.52	21.32	1.59	25.04	1.67	30.00	1.78	34.96	1.89	39.92	2.01
	10	17.60	1.51	21.32	1.59	25.04	1.67	30.00	1.78	34.96	1.89	39.92	2.01
	15	17.60	1.50	21.32	1.58	25.04	1.66	30.00	1.78	34.96	1.90	39.92	2.03
	20	17.60	1.50	21.32	1.58	25.04	1.66	30.00	1.78	34.96	1.91	39.92	2.04
	25	17.60	1.49	21.32	1.57	25.04	1.66	30.00	1.79	34.96	1.92	39.92	2.06
	30	17.60	1.49	21.32	1.57	25.04	1.67	30.00	1.80	34.96	1.93	39.92	2.08
	35	17.60	1.48	21.32	1.57	25.04	1.67	30.00	1.81	34.96	1.95	39.92	2.10
	40	17.60	1.48	21.32	1.58	25.04	1.68	30.00	1.82	34.96	1.97	39.92	2.13
	45	17.60	1.48	21.32	1.58	25.04	1.69	30.00	1.84	34.96	2.00	39.92	2.17
	50	17.60	1.48	21.32	1.59	25.04	1.70	30.00	1.86	34.96	2.03	39.92	2.21
	55	17.60	1.49	21.32	1.60	25.04	1.72	30.00	1.89	34.96	2.07	39.92	2.27
	60	17.60	1.49	21.32	1.61	25.04	1.74	30.00	1.93	34.96	2.12	39.92	2.33
	65	17.60	1.51	21.32	1.64	25.04	1.77	30.00	1.97	34.96	2.18	39.92	2.41
	70	17.60	1.52	21.32	1.66	25.04	1.81	30.00	2.03	34.96	2.26	39.92	2.50
	75	17.60	1.55	21.32	1.70	25.04	1.86	30.00	2.10	34.96	2.35	39.92	2.62
	80	17.60	1.58	21.32	1.74	25.04	1.93	30.00	2.18	34.96	2.47	39.92	2.77
	85	17.60	1.62	21.32	1.81	25.04	2.01	30.00	2.30	34.96	2.62	39.92	2.96
	90	17.60	1.68	21.32	1.89	25.04	2.11	30.00	2.45	34.96	2.81	39.92	3.20
95	17.60	1.75	21.32	2.00	25.04	2.26	30.00	2.64	34.96	3.06	39.92	3.52	
100	17.60	1.77	21.32	2.03	25.04	2.32	30.00	2.74	34.96	3.21	39.92	3.72	
105	17.60	1.80	21.32	2.09	25.04	2.41	30.00	2.89	34.96	3.41	39.92	3.99	
110	17.60	1.89	21.32	2.21	25.04	2.58	30.00	3.13	34.96	3.75	39.92	4.43	
115	17.60	1.98	21.32	2.29	25.04	2.68	30.00	3.28	34.96	3.95	37.05	4.25	

NOTE - Power Input = Compressor + Outdoor Fan Motor.  
 MBH = 1000 BTUs per hour.

**HEATING CAPACITY**

**VPB060H4**

Combination (%)	Outdoor Temperature (°F)		Indoor Temperature - °F Dry Bulb											
			61		64		67		70		73		75	
	Dry Bulb	Wet Bulb	Total Cap.	Power Input	Total Cap.	Power Input	Total Cap.	Power Input	Total Cap.	Power Input	Total Cap.	Power Input	Total Cap.	Power Input
			MBH	kW	MBH	kW	MBH	kW	MBH	kW	MBH	kW	MBH	kW
130%	-3	-4	37.66	4.08	37.27	4.22	36.88	4.36	36.49	4.50	36.10	4.64	35.84	4.73
	0	-1	39.65	4.29	39.24	4.44	38.83	4.59	38.41	4.73	38.00	4.88	37.73	4.98
	5	2	41.30	4.47	40.87	4.62	40.44	4.77	40.01	4.93	39.59	5.08	39.30	5.18
	7	6	44.06	4.65	43.64	4.79	43.21	4.93	42.78	5.07	42.35	5.21	42.07	5.31
	12	10	46.83	4.80	46.40	4.93	45.97	5.06	45.55	5.19	45.12	5.32	44.83	5.41
	17	15	50.29	4.95	49.86	5.07	49.43	5.19	49.00	5.31	48.57	5.43	48.29	5.51
	22	20	53.74	5.08	53.31	5.19	52.89	5.30	52.46	5.41	52.03	5.52	51.74	5.59
	27	24	56.51	5.16	56.08	5.26	55.65	5.37	55.22	5.47	54.80	5.57	54.51	5.64
	32	29	59.97	5.25	59.54	5.34	59.11	5.44	58.68	5.53	58.25	5.63	57.97	5.69
	37	34	63.42	5.32	62.99	5.41	62.57	5.50	62.14	5.59	61.71	5.68	61.42	5.74
	42	38	66.19	5.37	65.76	5.45	65.33	5.54	64.90	5.62	64.47	5.71	64.19	5.76
	47	43	69.64	5.42	69.22	5.50	68.79	5.58	68.36	5.65	67.93	5.73	67.65	5.79
	52	47	72.41	5.45	71.98	5.52	71.55	5.60	71.12	5.68	70.70	5.75	70.41	5.80
	57	52	75.87	5.48	75.44	5.55	75.01	5.63	74.58	5.70	74.15	5.77	73.87	5.82
	62	56	78.63	5.50	78.20	5.57	77.77	5.64	77.35	5.71	76.92	5.78	75.82	5.73
	67	61	82.09	5.52	81.66	5.59	81.23	5.65	80.80	5.72	79.81	5.73	75.82	5.39
	72	66	85.54	5.54	85.12	5.60	84.69	5.66	84.26	5.73	79.81	5.39	75.82	5.08
	80	67	86.24	5.54	85.81	5.60	85.38	5.67	84.95	5.73	79.81	5.33	75.82	5.02
120%	-3	-4	35.80	4.40	35.45	4.53	35.10	4.66	34.75	4.80	34.41	4.93	34.17	5.02
	0	-1	38.28	4.53	37.91	4.67	37.54	4.81	37.17	4.95	36.80	5.08	36.55	5.18
	5	2	40.73	4.67	40.33	4.81	39.94	4.96	39.54	5.10	39.15	5.24	38.88	5.33
	7	6	43.49	4.84	43.10	4.97	42.70	5.10	42.31	5.23	41.91	5.36	41.65	5.44
	12	10	46.26	4.97	45.86	5.09	45.47	5.21	45.07	5.33	44.68	5.45	44.41	5.53
	17	15	49.72	5.11	49.32	5.22	48.92	5.33	48.53	5.44	48.13	5.55	47.87	5.63
	22	20	53.17	5.22	52.78	5.32	52.38	5.43	51.99	5.53	51.59	5.63	51.33	5.70
	27	24	55.94	5.30	55.54	5.39	55.15	5.49	54.75	5.58	54.36	5.68	54.09	5.74
	32	29	59.39	5.38	59.00	5.46	58.60	5.55	58.21	5.64	57.81	5.73	57.55	5.79
	37	34	62.85	5.44	62.46	5.52	62.06	5.60	61.66	5.69	61.27	5.77	61.01	5.82
	42	38	65.62	5.48	65.22	5.56	64.83	5.64	64.43	5.71	64.03	5.79	63.77	5.85
	47	43	69.07	5.52	68.68	5.60	68.28	5.67	67.89	5.74	67.49	5.82	67.23	5.87
	52	47	71.84	5.55	71.44	5.62	71.05	5.69	70.65	5.76	70.26	5.83	69.99	5.88
	57	52	75.29	5.58	74.90	5.64	74.50	5.71	74.11	5.78	73.67	5.84	69.99	5.49
	62	56	78.06	5.59	77.66	5.66	77.27	5.72	76.87	5.78	73.67	5.54	69.99	5.22
	67	61	81.52	5.61	81.12	5.67	80.73	5.73	79.20	5.67	73.67	5.21	69.99	4.91
	72	66	84.97	5.62	84.58	5.68	84.18	5.74	79.20	5.34	73.67	4.91	69.99	4.63
	80	67	85.66	5.62	85.27	5.68	84.73	5.72	79.20	5.28	73.67	4.85	69.99	4.58
110%	-3	-4	37.78	4.59	37.44	4.71	37.10	4.83	36.76	4.96	36.42	5.08	36.19	5.16
	0	-1	38.95	4.73	38.60	4.86	38.25	4.98	37.90	5.11	37.55	5.24	37.31	5.32
	5	2	40.16	4.88	39.79	5.01	39.43	5.14	39.07	5.27	38.71	5.40	38.47	5.48
	7	6	42.92	5.02	42.56	5.14	42.20	5.26	41.84	5.38	41.47	5.50	41.23	5.58
	12	10	45.69	5.15	45.33	5.26	44.96	5.37	44.60	5.48	44.24	5.59	44.00	5.66
	17	15	49.14	5.27	48.78	5.37	48.42	5.47	48.06	5.57	47.69	5.67	47.45	5.74
	22	20	52.60	5.37	52.24	5.46	51.88	5.56	51.51	5.65	51.15	5.74	50.91	5.80
	27	24	55.37	5.44	55.00	5.52	54.64	5.61	54.28	5.70	53.92	5.79	53.68	5.84
	32	29	58.82	5.50	58.46	5.58	58.10	5.67	57.74	5.75	57.37	5.83	57.13	5.88
	37	34	62.28	5.56	61.92	5.63	61.55	5.71	61.19	5.78	60.83	5.86	60.59	5.91
	42	38	65.04	5.59	64.68	5.66	64.32	5.74	63.96	5.81	63.60	5.88	63.35	5.93
	47	43	68.50	5.63	68.14	5.70	67.78	5.76	67.41	5.83	67.05	5.90	64.16	5.61
	52	47	71.27	5.65	70.90	5.72	70.54	5.78	70.18	5.84	67.53	5.63	64.16	5.30
	57	52	74.72	5.67	74.36	5.73	74.00	5.79	72.60	5.74	67.53	5.27	64.16	4.96
	62	56	77.49	5.69	77.13	5.74	76.76	5.80	72.60	5.45	67.53	5.00	64.16	4.72
	67	61	80.95	5.70	80.58	5.75	77.67	5.54	72.60	5.12	67.53	4.71	64.16	4.44
	72	66	84.40	5.71	82.73	5.63	77.67	5.22	72.60	4.83	67.53	4.44	64.16	4.19
	80	67	85.09	5.71	82.73	5.56	77.67	5.16	72.60	4.77	67.53	4.39	64.16	4.15

NOTE - All Total Capacity and Power Input Data at 2°F Dry Bulb / 1°F Wet Bulb Outdoor Temperature is simulated at these operating conditions.

Recommended minimum heating operating temperature is -4°F.

Power Input = Compressor + Outdoor Fan Motor.

MBH = 1000 BTUs per hour.

**HEATING CAPACITY**

**VPB060H4**

Combination (%)	Outdoor Temperature (°F)		Indoor Temperature - °F Dry Bulb											
			61		64		67		70		73		75	
	Dry Bulb	Wet Bulb	Total Cap.	Power Input	Total Cap.	Power Input	Total Cap.	Power Input	Total Cap.	Power Input	Total Cap.	Power Input	Total Cap.	Power Input
			MBH	kW	MBH	kW	MBH	kW	MBH	kW	MBH	kW	MBH	kW
100%	-3	-4	34.24	4.83	33.95	4.94	33.67	5.06	33.38	5.17	33.10	5.28	32.91	5.36
	0	-1	36.82	4.96	36.51	5.07	36.20	5.19	35.90	5.30	35.59	5.42	35.39	5.49
	5	2	39.59	5.08	39.26	5.20	38.93	5.32	38.60	5.44	38.27	5.55	38.05	5.63
	7	6	42.35	5.21	42.02	5.32	41.69	5.43	41.36	5.54	41.03	5.65	40.81	5.72
	12	10	45.12	5.32	44.79	5.42	44.46	5.52	44.13	5.62	43.80	5.72	43.58	5.79
	17	15	48.57	5.43	48.24	5.52	47.91	5.61	<b>47.59</b>	<b>5.71</b>	47.26	5.80	47.04	5.86
	22	20	52.03	5.52	51.70	5.60	51.37	5.69	51.04	5.77	50.71	5.86	50.49	5.91
	27	24	54.80	5.57	54.47	5.65	54.14	5.73	53.81	5.81	53.48	5.89	53.26	5.94
	32	29	58.25	5.63	57.92	5.70	57.59	5.78	57.26	5.85	56.93	5.93	56.71	5.98
	37	34	61.71	5.68	61.38	5.75	61.05	5.81	60.72	5.88	60.39	5.95	58.33	5.73
	42	38	64.47	5.71	64.14	5.77	63.82	5.84	63.49	5.90	61.40	5.73	58.33	5.39
	47	43	67.93	5.73	67.60	5.80	67.27	5.86	<b>66.00</b>	<b>5.80</b>	61.40	5.32	58.33	5.01
	52	47	70.70	5.75	70.37	5.81	70.04	5.87	66.00	5.48	61.40	5.03	58.33	4.75
	57	52	74.15	5.77	73.82	5.82	70.60	5.55	66.00	5.13	61.40	4.71	58.33	4.45
	62	56	76.92	5.78	75.21	5.68	70.60	5.27	66.00	4.87	61.40	4.48	58.33	4.23
	67	61	79.81	5.73	75.21	5.34	70.60	4.96	66.00	4.59	61.40	4.23	58.33	3.99
72	66	79.81	5.39	75.21	5.03	70.60	4.67	66.00	4.33	61.40	3.99	58.33	3.77	
80	67	79.81	5.33	75.21	4.97	70.60	4.62	66.00	4.28	61.40	3.95	58.33	3.73	
90%	-3	-4	33.74	5.08	33.49	5.18	33.23	5.28	32.97	5.39	32.72	5.49	32.55	5.56
	0	-1	36.28	5.18	36.01	5.29	35.73	5.39	35.46	5.50	35.18	5.60	35.00	5.67
	5	2	39.02	5.29	38.72	5.39	38.42	5.50	38.13	5.61	37.83	5.71	37.63	5.78
	7	6	41.78	5.40	41.48	5.50	41.19	5.60	40.89	5.69	40.59	5.79	40.40	5.86
	12	10	44.55	5.49	44.25	5.59	43.95	5.68	43.66	5.77	43.36	5.86	43.16	5.92
	17	15	48.00	5.59	47.71	5.67	47.41	5.75	47.11	5.84	46.82	5.92	46.62	5.98
	22	20	51.46	5.66	51.16	5.74	50.87	5.82	50.57	5.89	50.27	5.97	50.08	6.02
	27	24	54.22	5.71	53.93	5.78	53.63	5.85	53.33	5.93	53.04	6.00	52.49	5.99
	32	29	57.68	5.76	57.38	5.83	57.09	5.89	56.79	5.96	55.26	5.83	52.49	5.49
	37	34	61.14	5.80	60.84	5.86	60.54	5.92	59.40	5.86	55.26	5.38	52.49	5.07
	42	38	63.90	5.82	63.61	5.88	63.31	5.94	59.40	5.51	55.26	5.06	52.49	4.77
	47	43	67.36	5.84	67.06	5.90	63.54	5.54	59.40	5.12	55.26	4.71	52.49	4.44
	52	47	70.12	5.85	67.69	5.65	63.54	5.24	59.40	4.85	55.26	4.46	52.49	4.21
	57	52	71.83	5.66	67.69	5.28	63.54	4.90	59.40	4.54	55.26	4.19	52.49	3.95
	62	56	71.83	5.38	67.69	5.02	63.54	4.66	59.40	4.32	55.26	3.99	52.49	3.77
	67	61	71.83	5.06	67.69	4.72	63.54	4.39	59.40	4.07	55.26	3.76	52.49	3.56
72	66	71.83	4.77	67.69	4.46	63.54	4.15	59.40	3.85	55.26	3.56	52.49	3.37	
80	67	71.83	4.71	67.69	4.41	63.54	4.10	59.40	3.81	55.26	3.52	52.49	3.33	
80%	-3	-4	33.25	5.28	33.02	5.37	32.79	5.46	32.57	5.55	32.34	5.64	32.19	5.70
	0	-1	35.75	5.38	35.51	5.48	35.26	5.57	35.02	5.66	34.77	5.75	34.61	5.82
	5	2	38.44	5.49	38.18	5.59	37.92	5.68	37.65	5.77	37.39	5.87	37.21	5.93
	7	6	41.21	5.59	40.95	5.68	40.68	5.76	40.42	5.85	40.16	5.94	39.98	6.00
	12	10	43.97	5.67	43.71	5.75	43.45	5.83	43.18	5.91	42.92	5.99	42.74	6.04
	17	15	47.43	5.75	47.17	5.82	46.90	5.90	46.64	5.97	46.38	6.04	46.20	6.09
	22	20	50.89	5.81	50.62	5.88	50.36	5.95	50.10	6.01	49.12	5.95	46.66	5.60
	27	24	53.65	5.85	53.39	5.91	53.13	5.98	52.80	6.03	49.12	5.53	46.66	5.21
	32	29	57.11	5.89	56.85	5.95	56.48	5.99	52.80	5.53	49.12	5.08	46.66	4.79
	37	34	60.57	5.92	60.17	5.95	56.48	5.52	52.80	5.10	49.12	4.69	46.66	4.43
	42	38	63.33	5.93	60.17	5.59	56.48	5.19	52.80	4.80	49.12	4.42	46.66	4.18
	47	43	63.85	5.57	60.17	5.20	56.48	4.83	52.80	4.47	49.12	4.13	46.66	3.90
	52	47	63.85	5.27	60.17	4.92	56.48	4.57	52.80	4.24	49.12	3.91	46.66	3.70
	57	52	63.85	4.93	60.17	4.61	56.48	4.29	52.80	3.98	49.12	3.68	46.66	3.48
	62	56	63.85	4.69	60.17	4.38	56.48	4.08	52.80	3.79	49.12	3.51	46.66	3.32
	67	61	63.85	4.42	60.17	4.13	56.48	3.85	52.80	3.58	49.12	3.31	46.66	3.14
72	66	63.85	4.17	60.17	3.91	56.48	3.64	52.80	3.39	49.12	3.14	46.66	2.98	
80	67	63.85	4.13	60.17	3.86	56.48	3.61	52.80	3.35	49.12	3.11	46.66	2.95	

NOTE - All Total Capacity and Power Input Data at 2°F Dry Bulb / 1°F Wet Bulb Outdoor Temperature is simulated at these operating conditions.

Recommended minimum heating operating temperature is -4°F.

Power Input = Compressor + Outdoor Fan Motor.

MBH = 1000 BTUs per hour.



**HEATING CAPACITY**

**VPB060H4**

Combination (%)	Outdoor Temperature (°F)		Indoor Temperature - °F Dry Bulb											
			61		64		67		70		73		75	
	Dry Bulb	Wet Bulb	Total Cap.	Power Input	Total Cap.	Power Input	Total Cap.	Power Input	Total Cap.	Power Input	Total Cap.	Power Input	Total Cap.	Power Input
			MBH	kW	MBH	kW	MBH	kW	MBH	kW	MBH	kW	MBH	kW
70%	-3	-4	32.76	5.53	32.56	5.61	32.36	5.69	32.16	5.77	31.96	5.85	31.83	5.90
	0	-1	35.22	5.61	35.01	5.69	34.79	5.78	34.58	5.86	34.36	5.94	34.22	5.99
	5	2	37.87	5.70	37.64	5.78	37.41	5.86	37.18	5.94	36.95	6.03	36.80	6.08
	7	6	40.64	5.78	40.41	5.85	40.18	5.93	39.95	6.01	39.72	6.08	39.56	6.13
	12	10	43.40	5.84	43.17	5.91	42.94	5.98	42.71	6.05	42.48	6.13	40.83	5.86
	17	15	46.86	5.91	46.63	5.97	46.40	6.04	46.17	6.10	42.98	5.60	40.83	5.28
	22	20	50.32	5.96	50.09	6.02	49.42	6.00	46.20	5.54	42.98	5.09	40.83	4.80
	27	24	53.08	5.99	52.65	6.01	49.42	5.57	46.20	5.15	42.98	4.74	40.83	4.47
	32	29	55.87	5.91	52.65	5.51	49.42	5.12	46.20	4.74	42.98	4.36	40.83	4.12
	37	34	55.87	5.45	52.65	5.08	49.42	4.73	46.20	4.38	42.98	4.04	40.83	3.82
	42	38	55.87	5.13	52.65	4.79	49.42	4.46	46.20	4.13	42.98	3.82	40.83	3.61
	47	43	55.87	4.77	52.65	4.46	49.42	4.15	46.20	3.86	42.98	3.57	40.83	3.38
	52	47	55.87	4.52	52.65	4.23	49.42	3.94	46.20	3.66	42.98	3.39	40.83	3.21
	57	52	55.87	4.24	52.65	3.97	49.42	3.70	46.20	3.44	42.98	3.19	40.83	3.03
	62	56	55.87	4.03	52.65	3.78	49.42	3.53	46.20	3.29	42.98	3.05	40.83	2.89
	67	61	55.87	3.81	52.65	3.57	49.42	3.34	46.20	3.11	42.98	2.89	40.83	2.74
	72	66	55.87	3.60	52.65	3.38	49.42	3.16	46.20	2.95	42.98	2.74	40.83	2.60
	80	67	55.87	3.56	52.65	3.34	49.42	3.13	46.20	2.92	42.98	2.71	40.83	2.58
60%	-3	-4	32.26	5.73	32.09	5.80	31.92	5.86	31.75	5.93	31.58	6.00	30.27	5.72
	0	-1	34.69	5.81	34.51	5.88	34.32	5.95	34.14	6.02	33.96	6.09	32.55	5.81
	5	2	37.30	5.90	37.10	5.97	36.91	6.04	36.71	6.11	36.51	6.18	35.00	5.89
	7	6	40.07	5.97	39.87	6.03	39.67	6.10	39.47	6.16	36.84	5.68	35.00	5.35
	12	10	42.83	6.02	42.64	6.08	42.36	6.12	39.60	5.65	36.84	5.19	35.00	4.90
	17	15	46.29	6.07	45.13	5.94	42.36	5.51	39.60	5.09	36.84	4.69	35.00	4.43
	22	20	47.89	5.78	45.13	5.39	42.36	5.01	39.60	4.63	36.84	4.27	35.00	4.04
	27	24	47.89	5.37	45.13	5.01	42.36	4.66	39.60	4.32	36.84	3.99	35.00	3.77
	32	29	47.89	4.93	45.13	4.61	42.36	4.29	39.60	3.99	36.84	3.69	35.00	3.49
	37	34	47.89	4.56	45.13	4.27	42.36	3.98	39.60	3.70	36.84	3.42	35.00	3.24
	42	38	47.89	4.30	45.13	4.03	42.36	3.76	39.60	3.50	36.84	3.24	35.00	3.07
	47	43	47.89	4.01	45.13	3.76	42.36	3.51	39.60	3.27	36.84	3.04	35.00	2.88
	52	47	47.89	3.81	45.13	3.57	42.36	3.34	39.60	3.11	36.84	2.89	35.00	2.75
	57	52	47.89	3.58	45.13	3.36	42.36	3.14	39.60	2.93	36.84	2.73	35.00	2.59
	62	56	47.89	3.41	45.13	3.21	42.36	3.00	39.60	2.80	36.84	2.61	35.00	2.48
	67	61	47.89	3.23	45.13	3.03	42.36	2.84	39.60	2.66	36.84	2.48	35.00	2.36
	72	66	47.89	3.06	45.13	2.88	42.36	2.70	39.60	2.53	36.84	2.36	35.00	2.24
	80	67	47.89	3.03	45.13	2.85	42.36	2.67	39.60	2.50	36.84	2.33	35.00	2.22
50%	-3	-4	31.77	5.99	31.63	6.04	30.53	5.84	28.54	5.39	26.55	4.96	25.22	4.68
	0	-1	34.16	6.05	34.01	6.10	32.83	5.90	30.69	5.45	28.55	5.01	27.12	4.72
	5	2	36.73	6.11	36.57	6.16	35.30	5.95	33.00	5.50	30.70	5.06	29.16	4.77
	7	6	39.50	6.15	37.60	5.82	35.30	5.40	33.00	5.00	30.70	4.60	29.16	4.35
	12	10	39.91	5.70	37.60	5.32	35.30	4.94	33.00	4.58	30.70	4.23	29.16	3.99
	17	15	39.91	5.14	37.60	4.80	35.30	4.47	33.00	4.15	30.70	3.83	29.16	3.63
	22	20	39.91	4.68	37.60	4.37	35.30	4.08	33.00	3.79	30.70	3.51	29.16	3.32
	27	24	39.91	4.36	37.60	4.08	35.30	3.81	33.00	3.54	30.70	3.29	29.16	3.12
	32	29	39.91	4.02	37.60	3.77	35.30	3.52	33.00	3.28	30.70	3.04	29.16	2.89
	37	34	39.91	3.73	37.60	3.50	35.30	3.27	33.00	3.05	30.70	2.84	29.16	2.70
	42	38	39.91	3.52	37.60	3.31	35.30	3.10	33.00	2.89	30.70	2.69	29.16	2.56
	47	43	39.91	3.30	37.60	3.10	35.30	2.91	33.00	2.72	30.70	2.53	29.16	2.41
	52	47	39.91	3.14	37.60	2.95	35.30	2.77	33.00	2.59	30.70	2.41	29.16	2.30
	57	52	39.91	2.96	37.60	2.78	35.30	2.61	33.00	2.45	30.70	2.28	29.16	2.18
	62	56	39.91	2.83	37.60	2.66	35.30	2.50	33.00	2.35	30.70	2.19	29.16	2.09
	67	61	39.91	2.68	37.60	2.53	35.30	2.38	33.00	2.23	30.70	2.08	29.16	1.99
	72	66	39.91	2.55	37.60	2.40	35.30	2.26	33.00	2.12	30.70	1.99	29.16	1.90
	80	67	39.91	2.52	37.60	2.38	35.30	2.24	33.00	2.10	30.70	1.97	29.16	1.88

NOTE - All Total Capacity and Power Input Data at 2°F Dry Bulb / 1°F Wet Bulb Outdoor Temperature is simulated at these operating conditions.

**Recommended minimum heating operating temperature is -4°F.**

Power Input = Compressor + Outdoor Fan Motor.

MBH = 1000 BTUs per hour.

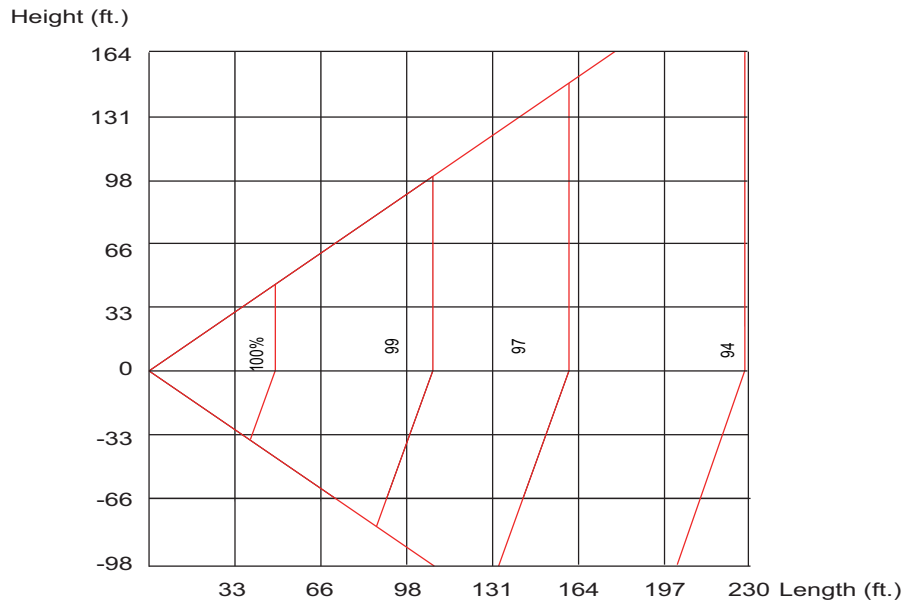
## CORRECTION FACTORS - COOLING AND HEATING

### COOLING AND HEATING CAPACITY CORRECTION FACTORS

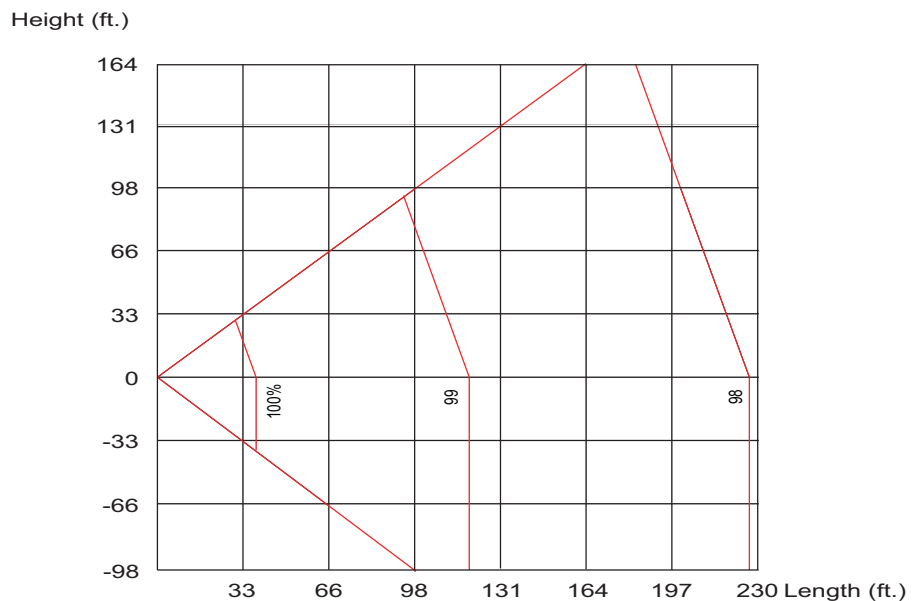
#### Cooling Capacity Modification

- Modification coefficient of the length and height difference of refrigerant pipe:

#### Cooling Capacity Modification



#### Heating Capacity Modification



L = Length of equivalent refrigerant pipe.

H = Height difference between outdoor and indoor unit.

Positive data means outdoor unit is above indoor unit.

Negative data means outdoor unit is below indoor unit.

## CORRECTION FACTORS - DEFROST DERATE CAPACITY

Outdoor Temperature DB (°F)	5	14	17	19.4	23	26.6	32	37.4	41	47
Derate Factor	0.98	0.98	0.98	0.98	0.95	0.93	0.86	0.93	0.96	1.00

NOTE - Derate Factor - Use the capacity obtained in the heating rating table and apply the appropriate correction factor based on the outdoor temperature to obtain the average performance including the defrost cycle.

## REVISIONS

Sections	Description of Change
Capacity Tables	Updated.



Visit us at [www.Lennox.com](http://www.Lennox.com)

For the latest technical information, [www.LennoxCommercial.com](http://www.LennoxCommercial.com)

Contact us at 1-800-4-LENNOX

NOTE - Due to Lennox' ongoing commitment to quality, Specifications, Ratings and Dimensions subject to change without notice and without incurring liability. Improper installation, adjustment, alteration, service or maintenance can cause property damage or personal injury. Installation and service must be performed by a qualified installer and servicing agency.

©2022 Lennox Industries, Inc.