



PRODUCT SPECIFICATIONS

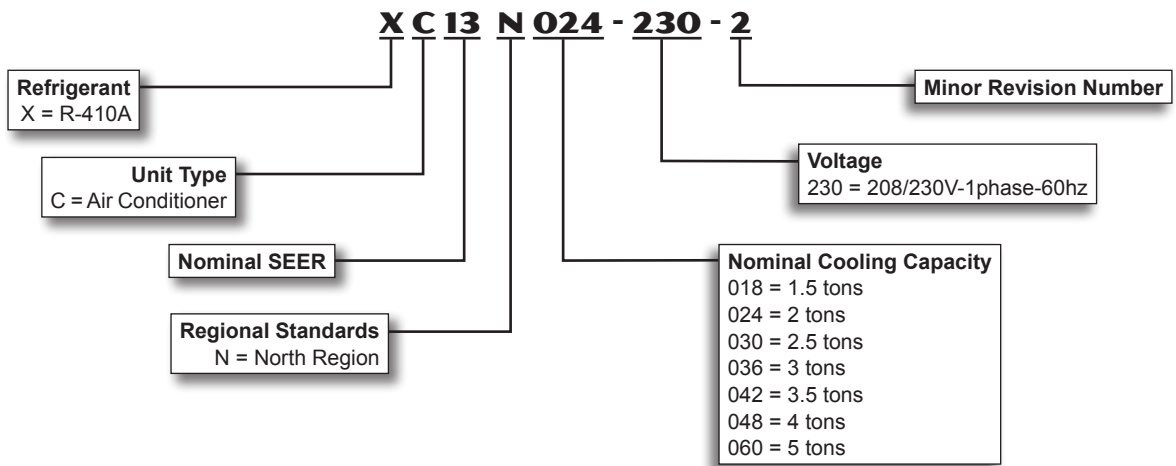
Bulletin No. 210741
November 2017
Supersedes August 2017

ELITE®
SERIES



SEER up to 15.50
1.5 to 5 Tons
Cooling Capacity - 17,500 to 59,000 Btuh

MODEL NUMBER IDENTIFICATION



FEATURES

CONTENTS

AHRI System Matches - North Region	9
Dimensions	6
Electrical Data.....	5
Features.....	2
Field Wiring.....	7
Installation Clearances	7
Model Number Identification	1
Optional Accessories	5
Sound Data.....	7
Specifications.....	5
TXV Usage	8

WARRANTY

Compressor - limited warranty for ten years in residential installations and five years in non-residential installations.

All other covered components - five years in residential installations and one year in non-residential installations.

Refer to Lennox Equipment Limited Warranty certificate included with unit for specific details.

APPROVALS

AHRI Certified to AHRI Standard 210/240-2008.

Sound rated in Lennox reverberant sound test room in accordance with test conditions included in AHRI Standard 270-2008.

Tested in the Lennox Research Laboratory environmental test room.

Rated according to U.S. Department of Energy (DOE) test procedures.

Region specific models meet the minimum efficiency requirements for U.S. DOE Federal Regional Standards in that area.

Air conditioners and components within bonded for grounding to meet safety standards for servicing required by ETL and CEC.

Units are ETL certified for the U.S. and Canada.

ISO 9001 Registered Manufacturing Quality System.

For expanded ratings, see www.LennoxPROs.com.

APPLICATIONS

SEER up to 15.50.

1.5 through 5 ton.

Single phase power supply.

Sound levels as low as 74 dB.

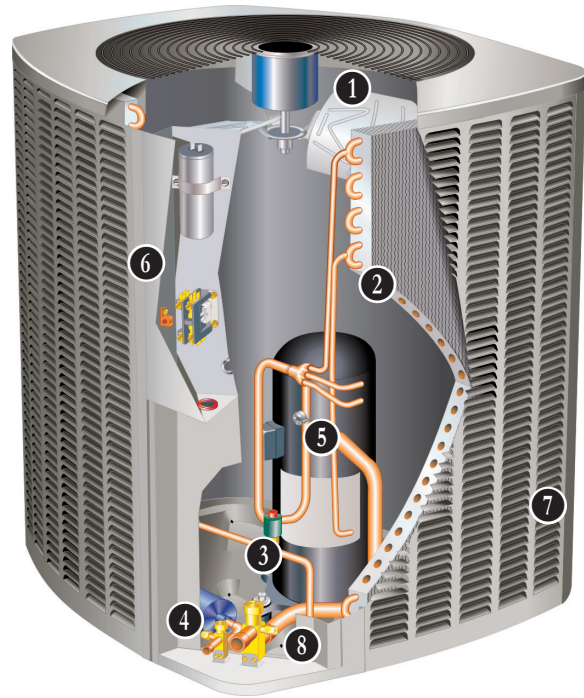
Vertical air discharge allows concealment behind shrubs at grade level or out of sight on a roof.

Matching add-on furnace indoor coils or air handlers provide a wide range of cooling capacities and applications. See AHRI System Matches.

See Indoor Coils and Air Handlers tab sections for data.

Units shipped completely factory assembled, piped, and wired. Each unit is test operated at the factory ensuring proper operation.

XC13 - 1.5 to 5 Ton Air Conditioner / Page 2



Installer must set air conditioner, connect refrigerant lines, and make electrical connections to complete job.

REFRIGERATION SYSTEM

R-410A Refrigerant

Non-chlorine, ozone friendly, R-410A.

Unit pre-charged with refrigerant.

See Specification table.



1 Condenser Fan

Direct drive fan moves large air volumes uniformly through entire condenser coil for high refrigerant cooling capacity.

Vertical air discharge minimizes operating sounds and eliminates damage to lawn and shrubs.

Fan motor has sleeve bearings and is inherently protected.

Motor totally enclosed for maximum protection from weather, dust and corrosion.

Fan guard constructed of corrosion-resistant PVC (polyvinyl chloride) coated steel.

Fan service access accomplished by removal of fan guard.

2 Copper Tube/Enhanced Fin Coil

Lennox designed and fabricated coil.

Ripple-edged aluminum fins.

Copper tube construction.

Lanced fins provide maximum exposure of fin surface to air stream resulting in excellent heat transfer.

Fin collars grip tubing for maximum contact area.

Flared shoulder tubing connections/silver soldering construction.

Coil is factory tested under high pressure to ensure leakproof construction.

Entire coil is accessible for cleaning.

FEATURES

REFRIGERATION SYSTEM (continued)

3 High Pressure Switch

Protects the system from high pressure conditions that can be a result of fan failure or a blocked/dirty coil.

Auto-reset.

Discharge Thermostat

Factory installed on the discharge line of the compressor. SPST, auto-reset.

Removes power from the compressor when discharge temperature exceeds the factory setting of 220°F.

4 Hi-Capacity Liquid Line Drier

Factory installed in the liquid line, the drier traps moisture or dirt that could contaminate the refrigerant system.

100% molecular-sieve bead type drier.

Refrigerant Flow Control

Units applicable to expansion valve systems or RFC systems when matched with specific indoor coils.

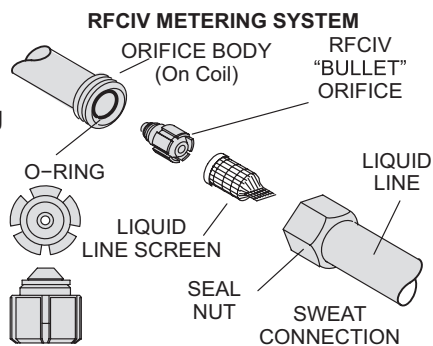
RFCIV:

Accurately meters refrigerant in system.

Refrigerant control is accomplished by exact sizing of refrigerant metering orifice.

The principle involves matching indoor coil with proper bore size of orifice in metering device.

Equalizes pressure shortly after compressor stops, unit starts unloaded, eliminating need for additional controls.



Optional Accessories

Expansion Valve Kits

Must be ordered separately and field installed on certain indoor units. See TXV Usage Table on Page 8.

Chatleff-style fittings.

Freezestat

Installs on or near the vapor line of the indoor coil or on the suction line.

Senses suction line temperature and cycles the compressor off when suction line temperature falls below its setpoint.

Opens at 29°F and closes at 58°F.

Loss of Charge Switch Kit

Helps protect the compressor from damage due to low refrigerant charge conditions.

SPST, normally-closed switch, automatic reset switch mounted on liquid line.

Refrigerant Line Kits

Refrigerant lines (suction & liquid) are shipped refrigeration clean. Lines are cleaned, dried, pressurized and sealed at factory.

Suction line fully insulated.

Lines are stubbed at both ends.

Not available for -060 models and must be field fabricated.

COMPRESSOR

5 Scroll Compressor

Compressor features high efficiency with uniform suction flow, constant discharge flow, high volumetric efficiency and quiet operation.

Compressor consists of two involute spiral scrolls matched together to generate a series of crescent shaped gas pockets between them.

During compression, one scroll remains stationary while the other scroll orbits around it. Gas is drawn into the outer pocket, the pocket is sealed as the scroll rotates.

As the spiral movement continues, gas pockets are pushed to the center of the scrolls. Volume between the pockets is simultaneously reduced.

When the pocket reaches the center, gas is now at high pressure and is forced out of a port located in the center of the fixed scrolls.

During compression, several pockets are compressed simultaneously resulting in a smooth continuous compression cycle.

Continuous flank contact, maintained by centrifugal force, minimizes gas leakage and maximizes efficiency.

Scroll compressor is tolerant to the effects of slugging and contaminants. If this occurs, scrolls separate, allowing liquid or contaminants to be worked toward the center and discharged.

Low gas pulses during compression reduce operational sound levels.

Compressor motor is internally protected from excessive current and temperature.

Compressor is installed in the unit on resilient rubber mounts for vibration free operation.



FEATURES

COMPRESSOR (Continued)

Optional Accessories

Compressor Crankcase Heater

Protects against refrigerant migration that can occur during low ambient operation.

Compressor Sound Cover

A reinforced vinyl compressor cover containing a 1-1/2 inch thick batt of fiberglass insulation.

All open edges are sealed with a one-inch wide hook and loop fastening tape.

CONTROLS

Optional Accessories

Compressor Hard Start Kit

Single-phase units are equipped with a PSC compressor motor. This type of motor normally doesn't need a potential relay and start capacitor.

In conditions such as low voltage, this kit may be required to increase the compressor starting torque.

Indoor Blower Off Delay Relay

Delays the indoor blower-off time during the cooling cycle.

See AHRI System Matches for usage.

Low Ambient Kit

Air conditioners operate satisfactorily down to 45°F outdoor air temperature without any additional controls.

Low Ambient Control Kit can be field installed, allowing unit operation down to 30°F.

Crankcase Heater and Freezestat should be installed on compressors equipped with a Low Ambient Kit.

A Compressor Low Ambient Cut-Off Switch should be added to terminate compressor operation below recommended operation conditions.

Thermostat

Thermostat not furnished with unit. See Thermostat bulletins in Controls Section and Lennox Price Book.

Timed-Off Control

Kit prevents compressor short-cycling and allows time for suction and discharge pressure to equalize.

Permits compressor start-up in an unloaded condition.

Automatic reset with 5 minute delay between compressor shut-off and start-up.

CABINET

Heavy-gauge steel construction

Pre-painted cabinet finish.

- 6 Control box is conveniently located with all controls factory wired.

Corner patch plate allows access to compressor components.

Drainage holes are provided in base section for moisture removal.

High density polyethylene unit support feet raise the unit off of the mounting surface, away from damaging moisture.

PermaGuard™ Unit Base

Durable zinc-coated base section resists rust and corrosion.

- 7 **SmarterHinge™ Louvered Coil Protection**

Steel louvered panels provides complete coil protection.

Panels are hinged to allow easy cleaning and servicing of coils.

Panels may be completely removed.

Interlocking tabs and slots assure tight fit on cabinet.

- 8 **Refrigerant Line Connections, Electrical Inlets, Service Valves**

Sweat connection suction and liquid lines are located on corner of unit cabinet.

Fully serviceable brass service valves prevent corrosion and provide access to refrigerant system. Suction valve can be fully shut off, while liquid valve may be front seated to manage refrigerant charge while servicing system.

Refrigerant line connections and field wiring inlets are located in one central area of cabinet for easy access. See dimension drawing.



SPECIFICATIONS									
General Data	Model No.	North Region	XC13N018	XC13N024	XC13N030	XC13N036	XC13N042	XC13N048	XC13N060
		Nominal Tonnage	1.5	2	2.5	3	3.5	4	5
Connections (sweat)		Liquid line o.d. - in.	3/8	3/8	3/8	3/8	3/8	3/8	3/8
		Suction line o.d. - in.	3/4	3/4	3/4	3/4	7/8	7/8	7/8
¹ Refrigerant (R-410A) Furnished			4 lbs. 1 oz.	3 lbs. 14 oz.	4 lbs. 4 oz.	5 lbs. 4 oz.	6 lbs. 9 oz.	7 lbs. 12 oz.	9 lbs. 0 oz.
RFCIV Metering Orifice Size Furnished			0.051	0.057	0.065	0.073	0.076	0.082	0.092
Outdoor Coil	Net face area sq. ft.	Outer coil	11.33	11.33	13.22	13.22	21.00	18.67	16.33
		Inner coil	---	---	---	---	---	---	15.71
		Tube diameter - in.	5/16	5/16	5/16	5/16	5/16	5/16	5/16
		Number of rows	1	1	1	1	1	1	2
		Fins per inch	26	26	26	26	26	26	22
		Diameter - in.	18	18	18	18	22	22	22
Outdoor Fan		Number of blades	3	3	4	4	4	4	4
		Motor hp	1/10	1/10	1/5	1/5	1/4	1/4	1/4
		Cfm	2350	2350	2400	2400	3670	3670	3600
		Rpm	1075	1075	1075	1075	825	825	825
		Watts	165	165	185	185	295	295	285
Shipping Data - lbs. 1 package			150	150	161	164	240	232	249
ELECTRICAL DATA									
	Line voltage data - 60 hz - 1ph		208/230V	208/230V	208/230V	208/230V	208/230V	208/230V	208/230V
	² Maximum overcurrent protection (amps)		20	25	30	40	45	50	60
	³ Minimum circuit ampacity		12.4	14.7	18.7	24.4	28.1	32.0	34.6
Compressor		Rated load amps	9.4	11.2	14.1	18.6	21.2	24.2	26.3
		Locked rotor amps	56.6	60.8	64	70	90	100	125
		Power factor	0.98	0.98	0.98	0.99	0.99	0.99	0.99
Condenser Fan Motor		Full load amps	0.7	0.7	1.1	1.1	1.7	1.7	1.7
		Locked rotor amps	1.4	1.4	2.0	2.0	3.2	3.2	3.2
OPTIONAL ACCESSORIES - ORDER SEPARATELY									
Compressor Crankcase Heater		93M04	•	•	•	•			
		93M05					•	•	•
Compressor Hard Start Kit	Copeland	10J42	•	•	•	•	•	•	•
	LG	88M91	•	•	•	•	•	•	•
Compressor Low Ambient Cut-Off Switch		45F08	•	•	•	•	•	•	
Compressor Sound Cover		27W55	•	•	•	•			
		27W56					•	•	•
Compressor Time-Off Control		47J27	•	•	•	•	•	•	
Freezestat	3/8 in. tubing	93G35	•	•	•	•	•	•	•
	5/8 in. tubing	50A93	•	•	•	•	•	•	•
Loss of Charge Switch Kit		84M23	•	•	•	•	•	•	
Indoor Blower Off Delay Relay		58M81	•	•	•	•	•	•	
⁴ Low Ambient Kit (Fan Cycling)		34M72	•	•	•	•	•	•	
Refrigerant Line Sets		L15-41-20, L15-41-30, L15-41-40, L15-41-50	•	•	•	•			
		L15-65-30, L15-65-40, L15-65-50					•	•	
		Field Fabricate							•

NOTE - Extremes of operating range are plus 10% and minus 5% of line voltage.

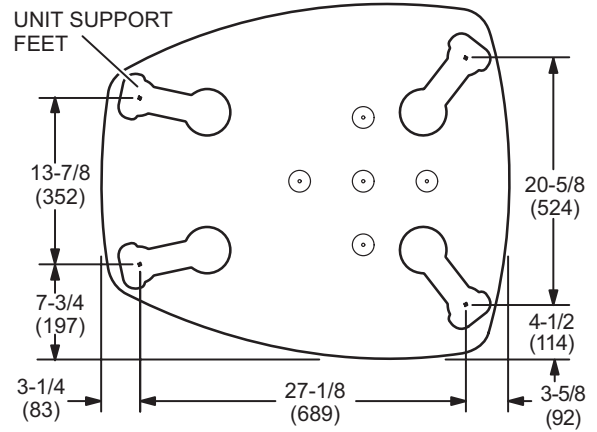
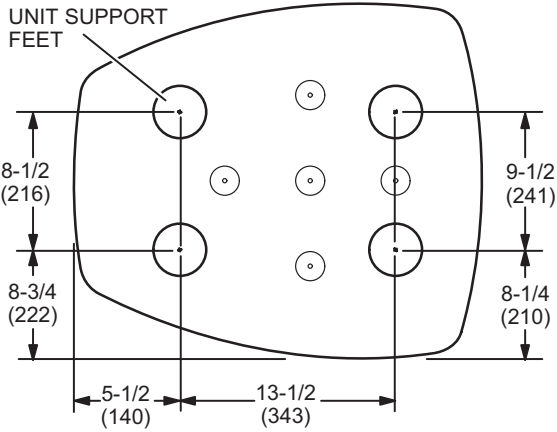
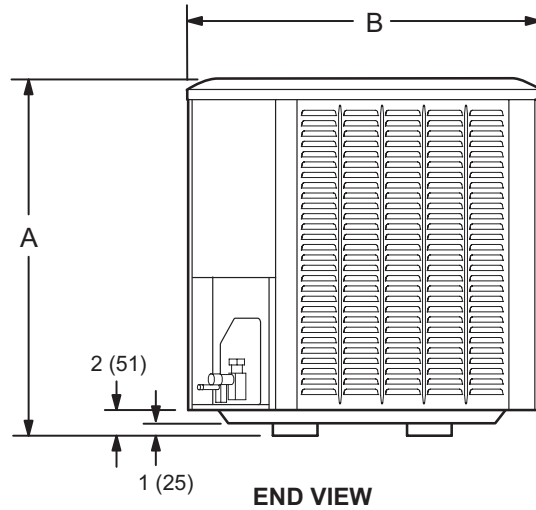
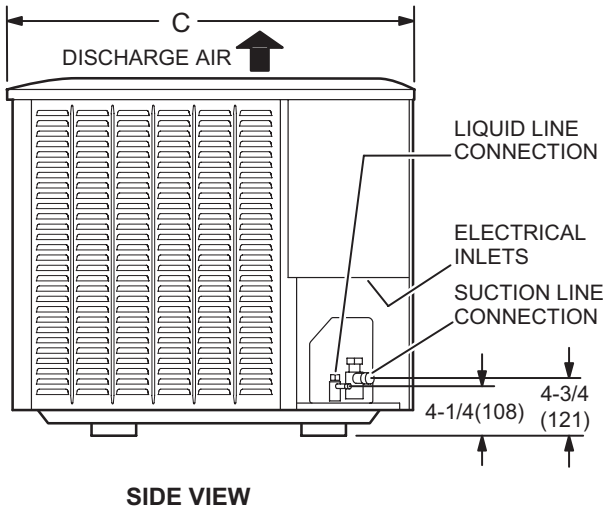
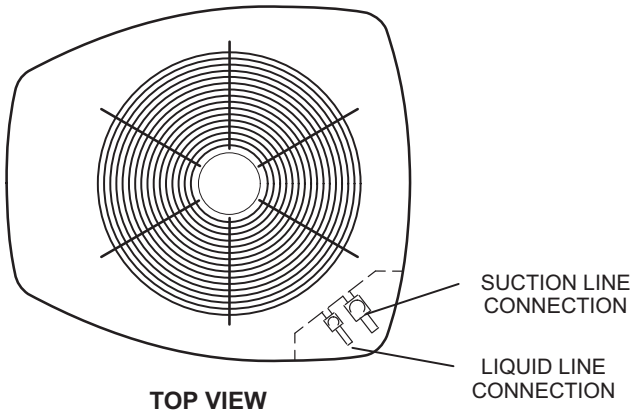
¹ Refrigerant charge sufficient for 15 ft. length of refrigerant lines.

² HACR type circuit breaker or fuse.

³ Refer to National or Canadian Electrical Code manual to determine wire, fuse and disconnect size requirements.

⁴ Crankcase Heater and Freezestat are recommended with Low Ambient Kit.

DIMENSIONS - INCHES (MM)



018 TO 036 BASE SECTION (Small Base)

042 TO 060 BASE SECTION (Medium Base)

Model	A		B		C	
	in.	mm	in.	mm	in.	mm
018, 024	27	686	27	686	28	711
030, 036	31	787	27	686	28	711
042	39	991	30-1/2	775	35	889
048	35	889	30-1/2	775	35	889
060	31	787	30-1/2	775	35	889

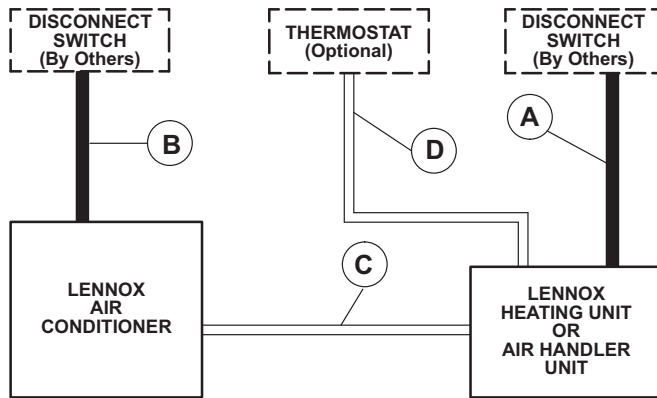
SOUND DATA

1 Unit Model								1 Sound Rating Number (dB)
	125	250	500	1000	2000	4000	8000	
018	67.5	66.5	68.5	66.5	60.5	56.0	52.0	74
024	69.5	66.0	68.5	65.5	61.0	61.5	58.5	74
030	70.5	71.0	73.5	70.5	67.5	61.5	57.5	76
036	69.5	72.5	74.5	71.5	68.5	63.5	58.5	76
042	73.5	71.5	72.5	69.5	65.5	60.5	57.5	76
048	73.5	72.5	72.5	71.5	66.5	61.5	61.5	76
060	75.0	72.5	73.5	71.0	65.5	61.0	60.0	76

NOTE - the octave sound power data does not include tonal correction.

¹ Tested according to AHRI Standard 270-2008 test conditions.

FIELD WIRING



A - Two Wire Power (not furnished)

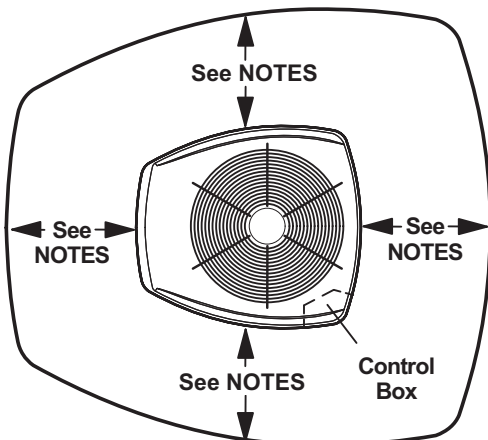
B - Two Power (not furnished). See Electrical Data

C - Four Wire Low Voltage (not furnished). 18 ga. minimum

D - Five Wire Low Voltage (not furnished). 18 ga. minimum

All wiring must conform to NEC or CEC and local electrical codes.

INSTALLATION CLEARANCES - INCHES (MM)



NOTES:

Service clearance of 30 in. (762 mm) must be maintained on one of the sides adjacent to the control box.

Clearance to one of the other three sides must be 36 in. (914 mm)

Clearance to one of the remaining two sides may be 12 in. (305 mm) and the final side may be 6 in. (152 mm).

A clearance of 24 in. (610 mm) must be maintained between two units.

48 in. (1219 mm) clearance required on top of unit.

TXV USAGE

Use this table for C33, C35, CH23, CH33, CH35 and CR33 Field Installed TXV Match-Ups.

Outdoor Unit Model No.	Thermal Expansion Valve (TXV)
XC13N018	12J18
XC13N024	12J18
XC13N030	12J18
XC13N036	12J19
XC13N042	12J20
XC13N048	12J20
XC13N060	12J20

CX34 and CX35 upflow coils and all Lennox air handlers are shipped with a factory installed TXV. In most cases, no change out of the valve is needed.

If a change out is required it will be listed in the "TXV SUBSTITUTIONS" table. The correct TXV must be ordered separately and field installed.

C33, C35 and CH33 and CH35 coils - Replace the factory installed orifice with the expansion valve listed.

CR33 and CH23 coils - Use the expansion valve listed.

*TXV SUBSTITUTIONS

Use this table to determine if the factory installed TXV in the indoor unit needs to be replaced.

Outdoor Unit Model No.	Indoor Coil	Factory TXV	Replacement TXV
XC13N030	CX34-42	12J20	12J18
XC13N030	CX34-43	12J20	12J18
XC13N030	CX34-44/48	12J20	12J18
XC13N030	CX35-48	12J20	12J18
XC13N042	CX34-31	12J18	12J20
XC13N042	CX35-30	12J19	12J20
XC13N042	CX35-30/36	12J19	12J20

*CX34 and CX35 coils - The factory installed expansion valve must be replaced with the expansion valve listed (ordered separately).

If the combination is not listed above, the factory installed TXV is used.

MOST POPULAR MATCHES

Outdoor Unit Model No.	Indoor Unit Model No
XC13N018	CX34-18/24
XC13N024	CX34-30
XC13N030	CX34-30
XC13N036	CX34-38
XC13N042	CX34-42
XC13N048	CX34-49
XC13N060	CX34-49

AHRI STANDARD 210/240

Cooling or heating capacities are net values, including the effects of blower motor heat, and do not include supplementary heat. Power input is the total power input to the compressor(s) and fan(s), plus any controls and other items required as part of the system for normal operation.

Units which do not have an indoor air-circulating blower furnished as part of the model, i.e., split system with indoor coil only, is established by subtracting from the total cooling capacity 1250 Btu/h per 1,000 cfm, and by adding the same amount to the heating capacity. Total power input for both heating and cooling is increased by 365 W per 1,000 cfm of indoor air circulated.

AHRI SYSTEM MATCHES - NORTH REGION

NOTE - For the latest up-to-date system matches please visit the AHRI web site at <http://www.ahridirectory.org>

Model No.	Expansion Device	Capacity	SEER	EER	Coil or Air Handler	Furnace	AHRI Reference
XC13N018-230	RFC	18500	13	10.7	C35-24A		10256974
XC13N018-230	RFC	18500	13	10.7	C35-30A		10256975
XC13N018-230	RFC	18400	13	11	CH33-19		10256976
XC13N018-230	RFC	18400	13	11	CH33-24/30		10256977
XC13N018-230	RFC	18800	13	11	CH33-25A		10256978
XC13N018-230	RFC	18200	13	11	CR33-18		10256979
XC13N018-230	RFC	17900	13	11	CR33-24		10256980
XC13N018-230	RFC	18900	13	11	CR33-30/36		10256981
XC13N018-230	TXV	18000	14.5	12	C35-18/24B	EL195UH030XE24B	10232026
XC13N018-230	TXV	18000	14.5	12	C35-18/24B	EL195UH045XE24B	10232027
XC13N018-230	TXV	18000	15	12.5	C35-24B	EL195UH030XE24B	10232028
XC13N018-230	TXV	18000	15	12.5	C35-24B	EL195UH045XE24B	10232029
XC13N018-230	TXV	18000	15	12.5	C35-30B	EL195UH030XE24B	10232030
XC13N018-230	TXV	18000	15	12.5	C35-30B	EL195UH045XE24B	10232031
XC13N018-230	TXV	19400	15.5	12.5	CBA27UHE-018		10259482
XC13N018-230	TXV	19400	15.5	12.5	CBA27UHE-024		10259483
XC13N018-230	TXV	18600	13	11.5	CBX25UH-018		10231987
XC13N018-230	TXV	18800	14.5	12	CBX25UHV-018		10231988
XC13N018-230	TXV	19400	15.5	12.5	CBX27UH-018		10231989
XC13N018-230	TXV	19400	15.5	12.5	CBX27UH-024		10231990
XC13N018-230	TXV	18800	13	11	CBX32M-018/024		10231991
XC13N018-230	TXV	19100	14.25	12	CBX32M-030		10231992
XC13N018-230	TXV	18000	14	11.7	CH23-21	EL195UH030XE24B	10232032
XC13N018-230	TXV	18000	14	11.7	CH23-21	EL195UH045XE24B	10232033
XC13N018-230	TXV	19100	15.1	12.5	CH33-19	EL180UH045E36A	10232034
XC13N018-230	TXV	19100	15.1	12.5	CH33-19	EL180UH045XE36A	10232035
XC13N018-230	TXV	18400	13	11	CH33-19		10231993
XC13N018-230	TXV	19000	15.1	12	CH33-24/30	EL180UH045E36A	10232036
XC13N018-230	TXV	19000	15.1	12	CH33-24/30	EL180UH045XE36A	10232037
XC13N018-230	TXV	18400	13	11	CH33-24/30		10231994
XC13N018-230	TXV	19500	15.5	12.5	CH33-25A	EL180UH045E36A	10232038
XC13N018-230	TXV	19500	15.5	12.5	CH33-25A	EL180UH045XE36A	10232039
XC13N018-230	TXV	18000	14	12.5	CH33-25B	EL195UH030XE24B	10232040
XC13N018-230	TXV	18000	14.5	12.5	CH33-25B	EL195UH045XE24B	10232041
XC13N018-230	TXV	18800	13	11	CH33-25B		10231995
XC13N018-230	TXV	19200	15.1	12.5	CH35-18A	EL180UH045E36A	10232042
XC13N018-230	TXV	19200	15.1	12.5	CH35-18A	EL180UH045XE36A	10232043
XC13N018-230	TXV	18600	13	11	CH35-18A		10231996
XC13N018-230	TXV	19600	15.5	12.5	CH35-24A	EL180UH045E36A	10232044
XC13N018-230	TXV	19600	15.5	12.5	CH35-24A	EL180UH045XE36A	10232045
XC13N018-230	TXV	19000	13	11	CH35-24A		10231997
XC13N018-230	TXV	18000	15	12.5	CH35-24B	EL195UH030XE24B	10232046
XC13N018-230	TXV	19600	15.5	12.5	CH35-24B	EL195UH045XE24B	10232047
XC13N018-230	TXV	19900	15.5	12.5	CH35-24B	EL296UH045XE36B	10231999
XC13N018-230	TXV	18800	13	11	CH35-24B		10231998
XC13N018-230	TXV	18000	15	12.5	CH35-30B	EL195UH030XE24B	10232048
XC13N018-230	TXV	18000	15	12.5	CH35-30B	EL195UH045XE24B	10232049
XC13N018-230	TXV	18900	15	12	CR33-18	EL180DF045E36A	10232050
XC13N018-230	TXV	18400	13	11	CR33-18		10232000

NOTES:

TXV = Matched with Thermostatic Expansion Valve.

RFC = Matched with RFC metering device.

AHRI certified to AHRI Standard 210/240 (with 25 ft. of connecting refrigerant lines); 95°F outdoor air temperature, 80°F db / 67°F wb entering evaporator air.

All ratings include the use of a blower time delay relay (TDR). All Lennox variable-speed furnaces and Air Handlers have time delay capabilities. Other Furnaces and Air Handlers may require an optional time delay relay (**58M81**) for field installation. See furnace or air handler specifications to determine if relay is needed.

Also see Expansion Valve Kit Usage Table.

AHRI SYSTEM MATCHES - NORTH REGION

NOTE - For the latest up-to-date system matches please visit the AHRI web site at <http://www.ahridirectory.org>

Model No.	Expansion Device	Capacity	SEER	EER	Coil or Air Handler	Furnace	AHRI Reference
XC13N018-230	TXV	18000	13	11	CR33-24		10232001
XC13N018-230	TXV	18600	14.5	12	CR33-24A	EL180DF045E36A	10232051
XC13N018-230	TXV	19100	14	11.5	CR33-30/36		10232002
XC13N018-230	TXV	19700	15.1	12.5	CR33-30/36A	EL180DF045E36A	10232052
XC13N018-230	TXV	18000	14.5	12	CX35-18/24B	EL195UH030XE24B	10232071
XC13N018-230	TXV	18000	14.5	12	CX35-18/24B	EL195UH045XE24B	10232072
XC13N018-230	TXV	18000	15	12.5	CX35-24B	EL195UH030XE24B	10232073
XC13N018-230	TXV	18000	15	12.5	CX35-24B	EL195UH045XE24B	10232074
XC13N018-230	TXV	18000	15	12.5	CX35-30B	EL195UH030XE24B	10232075
XC13N018-230	TXV	18000	15	12.5	CX35-30B	EL195UH045XE24B	10232076
XC13N018-230	TXV	18000	13	11	CX38-30B		10557808
XC13N024-230	RFC	22400	13	10.5	C35-24A		10257450
XC13N024-230	RFC	22400	13	10.5	C35-24B		10257451
XC13N024-230	RFC	22800	13	10.7	C35-30/36A		10257452
XC13N024-230	RFC	22800	13	10.7	C35-30A		10257453
XC13N024-230	RFC	22800	13	10.7	C35-30B		10257454
XC13N024-230	RFC	22000	13	10.7	C35-36A		10257455
XC13N024-230	RFC	22000	13	10.7	C35-36B		10257456
XC13N024-230	RFC	23400	13	11	CH23-41		10257457
XC13N024-230	RFC	23400	13	11	CH33-25A		10257458
XC13N024-230	RFC	23800	13	11	CH33-31A		10257459
XC13N024-230	RFC	23200	13	11	CH33-36		10257460
XC13N024-230	RFC	23600	13	11	CR33-30/36		10257461
XC13N024-230	TXV	23000	14	11.5	C35-18/24A	EL180UH045E36A	10233224
XC13N024-230	TXV	23000	14	11.5	C35-18/24A	EL180UH045XE36A	10233225
XC13N024-230	TXV	23400	14	12	C35-18/24A	SL280UH070V36A	10233226
XC13N024-230	TXV	23400	14	12	C35-18/24A	SL280UH070XV36A	10233227
XC13N024-230	TXV	22800	14	12	C35-18/24B	EL180UH070E36B	10233486
XC13N024-230	TXV	22800	14	12	C35-18/24B	EL180UH070XE36B	10233487
XC13N024-230	TXV	23000	14	11.5	C35-18/24B	EL195UH030XE24B	10233488
XC13N024-230	TXV	23000	14	11.5	C35-18/24B	EL195UH045XE24B	10233489
XC13N024-230	TXV	22600	14	11.5	C35-18/24B	EL195UH045XE36B	10233490
XC13N024-230	TXV	23000	14	12	C35-18/24B	EL195UH070XE36B	10233228
XC13N024-230	TXV	22600	14	11.5	C35-18/24B	EL296UH045XE36B	10233491
XC13N024-230	TXV	23200	14	12	C35-18/24B	EL296UH045XV36B	10233229
XC13N024-230	TXV	23000	14	12	C35-18/24B	EL296UH070XE36B	10233230
XC13N024-230	TXV	23200	14	12	C35-18/24B	EL296UH070XV36B	10233231
XC13N024-230	TXV	23200	14.25	12	C35-18/24B	SL280UH090V36B	10233232
XC13N024-230	TXV	23200	14	12	C35-18/24B	SLP98UH070XV36B	10233233
XC13N024-230	TXV	24000	15.1	12.5	C35-24A	EL180UH045E36A	10233234
XC13N024-230	TXV	24000	15.1	12.5	C35-24A	EL180UH045XE36A	10233235
XC13N024-230	TXV	24000	15.1	12.5	C35-24A	SL280UH070V36A	10233236
XC13N024-230	TXV	24000	15.1	12.5	C35-24A	SL280UH070XV36A	10233237
XC13N024-230	TXV	24000	15.1	12.5	C35-24B	EL180UH070E36B	10233492
XC13N024-230	TXV	23800	15.1	12.5	C35-24B	EL180UH070XE36B	10233493
XC13N024-230	TXV	23800	15	12	C35-24B	EL195UH030XE24B	10233494
XC13N024-230	TXV	23800	15	12	C35-24B	EL195UH045XE24B	10233495
XC13N024-230	TXV	23600	15	12	C35-24B	EL195UH045XE36B	10233238
XC13N024-230	TXV	24000	15	12.5	C35-24B	EL195UH070XE36B	10233496

NOTES:

TXV = Matched with Thermostatic Expansion Valve.

RFC = Matched with RFC metering device.

AHRI certified to AHRI Standard 210/240 (with 25 ft. of connecting refrigerant lines); 95°F outdoor air temperature, 80°F db / 67°F wb entering evaporator air.

All ratings include the use of a blower time delay relay (TDR). All Lennox variable-speed furnaces and Air Handlers have time delay capabilities. Other Furnaces and Air Handlers may require an optional time delay relay (**58M81**) for field installation. See furnace or air handler specifications to determine if relay is needed.

Also see Expansion Valve Kit Usage Table.

AHRI SYSTEM MATCHES - NORTH REGION

NOTE - For the latest up-to-date system matches please visit the AHRI web site at <http://www.ahridirectory.org>

Model No.	Expansion Device	Capacity	SEER	EER	Coil or Air Handler	Furnace	AHRI Reference
XC13N024-230	TXV	23600	15	12	C35-24B	EL296UH045XE36B	10233239
XC13N024-230	TXV	24200	15.1	12.5	C35-24B	EL296UH045XV36B	10233240
XC13N024-230	TXV	24000	15	12.5	C35-24B	EL296UH070XE36B	10233497
XC13N024-230	TXV	24000	15.1	12.5	C35-24B	EL296UH070XV36B	10233241
XC13N024-230	TXV	24000	15.1	12.5	C35-24B	SLP98UH070XV36B	10233242
XC13N024-230	TXV	23600	14.5	12.2	C35-30/36B	EL195UH030XE24B	10233243
XC13N024-230	TXV	23600	14.5	12.2	C35-30/36B	EL195UH045XE24B	10233244
XC13N024-230	TXV	24000	15	12	C35-30B	EL195UH030XE24B	10233245
XC13N024-230	TXV	24000	15	12	C35-30B	EL195UH045XE24B	10233246
XC13N024-230	TXV	24000	15.1	12.5	CBA27UHE-024		10259484
XC13N024-230	TXV	24000	15.5	12.5	CBA27UHE-030		10259485
XC13N024-230	TXV	23200	13	11	CBX25UH-024		10233247
XC13N024-230	TXV	23400	13	11	CBX25UH-030		10233248
XC13N024-230	TXV	23600	14.5	12	CBX25UHV-024		10233249
XC13N024-230	TXV	24000	15.1	12	CBX27UH-024		10233250
XC13N024-230	TXV	24000	15.5	12.5	CBX27UH-030		10233251
XC13N024-230	TXV	23400	13	11	CBX32M-018/024		10233252
XC13N024-230	TXV	24000	14.25	11	CBX32M-030		10233253
XC13N024-230	TXV	24600	14.5	12	CBX32M-036		10233254
XC13N024-230	TXV	23400	13	11	CBX32MV-018/024		10233255
XC13N024-230	TXV	23600	13	11	CBX32MV-024/030		10233256
XC13N024-230	TXV	24000	15.1	12	CBX32MV-036		10233257
XC13N024-230	TXV	24400	15	12	CBX40UHV-024		10233258
XC13N024-230	TXV	24200	15	12	CBX40UHV-030		10233259
XC13N024-230	TXV	24600	15	12.5	CBX40UHV-036		10233260
XC13N024-230	TXV	22200	14	11.5	CH23-21	EL195UH030XE24B	10238460
XC13N024-230	TXV	22200	14	11.5	CH23-21	EL195UH045XE24B	10238461
XC13N024-230	TXV	22600	14	11.5	CH23-31	EL195UH030XE24B	10233498
XC13N024-230	TXV	22600	14	11.5	CH23-31	EL195UH045XE24B	10233499
XC13N024-230	TXV	23800	15.1	12	CH23-41	EL180UH045E36A	10233500
XC13N024-230	TXV	23800	15.1	12	CH23-41	EL180UH045XE36A	10233501
XC13N024-230	TXV	23800	15	12.5	CH23-41	EL180UH070E36B	10233502
XC13N024-230	TXV	23800	15	12.5	CH23-41	EL180UH070XE36B	10233503
XC13N024-230	TXV	23600	15.1	12	CH23-41	EL195UH045XE36B	10233504
XC13N024-230	TXV	23800	15.1	12	CH23-41	EL195UH070XE36B	10233505
XC13N024-230	TXV	23600	15.1	12	CH23-41	EL296UH045XE36B	10238431
XC13N024-230	TXV	23800	15.5	12	CH23-41	EL296UH045XV36B	10233261
XC13N024-230	TXV	23800	15.1	12	CH23-41	EL296UH070XE36B	10238432
XC13N024-230	TXV	23800	15.5	12	CH23-41	EL296UH070XV36B	10233262
XC13N024-230	TXV	24000	15.5	12	CH23-41	SL280UH070V36A	10233263
XC13N024-230	TXV	24000	15.5	12	CH23-41	SL280UH070XV36A	10233264
XC13N024-230	TXV	24000	15.5	12	CH23-41	SL280UH090V36B	10233265
XC13N024-230	TXV	23800	15.5	12	CH23-41	SLP98UH070XV36B	10233266
XC13N024-230	TXV	23200	13	11	CH23-41		10238421
XC13N024-230	TXV	23400	14.5	12	CH33-19	EL180UH045E36A	10233267
XC13N024-230	TXV	23800	15	12	CH33-19	EL180UH045XE36A	10233268
XC13N024-230	TXV	23400	14.5	12	CH33-19	SL280UH070V36A	10233269
XC13N024-230	TXV	23400	14.5	12	CH33-19	SL280UH070XV36A	10233270
XC13N024-230	TXV	22800	13	11	CH33-19		10233145

NOTES:

TXV = Matched with Thermostatic Expansion Valve.

RFC = Matched with RFC metering device.

AHRI certified to AHRI Standard 210/240 (with 25 ft. of connecting refrigerant lines); 95°F outdoor air temperature, 80°F db / 67°F wb entering evaporator air.

All ratings include the use of a blower time delay relay (TDR). All Lennox variable-speed furnaces and Air Handlers have time delay capabilities. Other Furnaces and Air Handlers may require an optional time delay relay (**58M81**) for field installation. See furnace or air handler specifications to determine if relay is needed.

Also see Expansion Valve Kit Usage Table.

AHRI SYSTEM MATCHES - NORTH REGION

NOTE - For the latest up-to-date system matches please visit the AHRI web site at <http://www.ahridirectory.org>

Model No.	Expansion Device	Capacity	SEER	EER	Coil or Air Handler	Furnace	AHRI Reference
XC13N024-230	TXV	23400	14.5	12	CH33-24/30	EL180UH045E36A	10233271
XC13N024-230	TXV	23400	14.5	12	CH33-24/30	EL180UH045XE36A	10233272
XC13N024-230	TXV	23400	14.5	12	CH33-24/30	SL280UH070V36A	10233273
XC13N024-230	TXV	23400	14.5	12	CH33-24/30	SL280UH070XV36A	10233274
XC13N024-230	TXV	23400	13	11	CH33-25		10233146
XC13N024-230	TXV	24000	15	12	CH33-25A	EL180UH045E36A	10233275
XC13N024-230	TXV	24000	15	12	CH33-25A	EL180UH045XE36A	10233276
XC13N024-230	TXV	24400	15.1	12.5	CH33-25A	SL280UH070V36A	10233277
XC13N024-230	TXV	24400	15.1	12.5	CH33-25A	SL280UH070XV36A	10233278
XC13N024-230	TXV	24200	15.5	12.5	CH33-25B	EL180UH070E36B	10233506
XC13N024-230	TXV	24200	15.5	12.5	CH33-25B	EL180UH070XE36B	10233507
XC13N024-230	TXV	23600	14.5	12.2	CH33-25B	EL195UH030XE24B	10233279
XC13N024-230	TXV	23600	14.5	12.2	CH33-25B	EL195UH045XE24B	10233280
XC13N024-230	TXV	23600	15	12	CH33-25B	EL195UH045XE36B	10233281
XC13N024-230	TXV	23600	15.1	12	CH33-25B	EL195UH070XE36B	10233282
XC13N024-230	TXV	23800	15.1	12	CH33-25B	EL296UH045XE36B	10233508
XC13N024-230	TXV	23600	15	12	CH33-25B	EL296UH045XV36B	10233283
XC13N024-230	TXV	23800	15.1	12	CH33-25B	EL296UH070XE36B	10233284
XC13N024-230	TXV	24000	15.5	12.5	CH33-25B	EL296UH070XV36B	10233285
XC13N024-230	TXV	24000	15.5	12	CH33-25B	SL280UH090V36B	10233286
XC13N024-230	TXV	23800	15.1	12	CH33-25B	SLP98UH070XV36B	10233287
XC13N024-230	TXV	23800	13	11	CH33-31		10233147
XC13N024-230	TXV	24800	15.5	12.5	CH33-31A	EL180UH045E36A	10233288
XC13N024-230	TXV	24800	15.5	12.5	CH33-31A	EL180UH045XE36A	10233289
XC13N024-230	TXV	24800	15.1	12.5	CH33-31A	SL280UH070V36A	10233290
XC13N024-230	TXV	24800	15.1	12.5	CH33-31A	SL280UH070XV36A	10233291
XC13N024-230	TXV	24000	15.5	12	CH33-31B	EL180UH070E36B	10233509
XC13N024-230	TXV	24000	15.5	12	CH33-31B	EL180UH070XE36B	10233510
XC13N024-230	TXV	24000	15	12.5	CH33-31B	EL195UH030XE24B	10233292
XC13N024-230	TXV	24000	15	12.5	CH33-31B	EL195UH045XE24B	10233293
XC13N024-230	TXV	24400	15.5	12.5	CH33-31B	EL195UH045XE36B	10233294
XC13N024-230	TXV	24000	15.1	12	CH33-31B	EL296UH045XE36B	10233511
XC13N024-230	TXV	24600	15.5	12.5	CH33-31B	EL296UH045XV36B	10233295
XC13N024-230	TXV	24400	15.5	12.5	CH33-31B	EL296UH070XE36B	10233296
XC13N024-230	TXV	24600	15.5	12.5	CH33-31B	EL296UH070XV36B	10233297
XC13N024-230	TXV	24800	15.5	12.5	CH33-31B	SL280UH090V36B	10233298
XC13N024-230	TXV	24600	15.5	12.5	CH33-31B	SLP98UH070XV36B	10233299
XC13N024-230	TXV	23200	13	11	CH33-36		10233148
XC13N024-230	TXV	24000	15	12.5	CH33-36A	EL180UH045E36A	10233300
XC13N024-230	TXV	24000	15	12.5	CH33-36A	EL180UH045XE36A	10233301
XC13N024-230	TXV	23800	15	12	CH33-36A	SL280UH070V36A	10233302
XC13N024-230	TXV	24200	15	12.2	CH33-36A	SL280UH070XV36A	10233303
XC13N024-230	TXV	23800	15.1	12	CH33-36B	EL180UH070E36B	10233512
XC13N024-230	TXV	23800	15.1	12	CH33-36B	EL180UH070XE36B	10233513
XC13N024-230	TXV	23400	14	11.7	CH33-36B	EL195UH030XE24B	10233514
XC13N024-230	TXV	23400	14	11.7	CH33-36B	EL195UH045XE24B	10233515
XC13N024-230	TXV	23600	15	12	CH33-36B	EL195UH045XE36B	10233304
XC13N024-230	TXV	23600	15	12	CH33-36B	EL195UH070XE36B	10233305
XC13N024-230	TXV	23600	15	12	CH33-36B	EL296UH045XE36B	10233306

NOTES:

TXV = Matched with Thermostatic Expansion Valve.

RFC = Matched with RFC metering device.

AHRI certified to AHRI Standard 210/240 (with 25 ft. of connecting refrigerant lines); 95°F outdoor air temperature, 80°F db / 67°F wb entering evaporator air.

All ratings include the use of a blower time delay relay (TDR). All Lennox variable-speed furnaces and Air Handlers have time delay capabilities. Other Furnaces and Air Handlers may require an optional time delay relay (**58M81**) for field installation. See furnace or air handler specifications to determine if relay is needed.

Also see Expansion Valve Kit Usage Table.

AHRI SYSTEM MATCHES - NORTH REGION

NOTE - For the latest up-to-date system matches please visit the AHRI web site at <http://www.ahridirectory.org>

Model No.	Expansion Device	Capacity	SEER	EER	Coil or Air Handler	Furnace	AHRI Reference
XC13N024-230	TXV	24000	15.25	12.5	CH33-36B	EL296UH045XV36B	10233307
XC13N024-230	TXV	23600	15	12	CH33-36B	EL296UH070XE36B	10233516
XC13N024-230	TXV	24000	15.5	12.5	CH33-36B	EL296UH070XV36B	10233308
XC13N024-230	TXV	24200	15.1	12.5	CH33-36B	SL280UH090V36B	10233309
XC13N024-230	TXV	24000	15.5	12.5	CH33-36B	SLP98UH070XV36B	10233310
XC13N024-230	TXV	24000	15.5	12	CH33-36C	EL296UH090XV36C	10233311
XC13N024-230	TXV	24000	15.5	12	CH33-36C	SLP98UH090XV36C	10233312
XC13N024-230	TXV	23600	14.5	12	CH35-18A	EL180UH045E36A	10233313
XC13N024-230	TXV	23600	14.5	12	CH35-18A	EL180UH045XE36A	10233314
XC13N024-230	TXV	23600	15	12	CH35-18A	SL280UH070V36A	10233315
XC13N024-230	TXV	23600	15	12	CH35-18A	SL280UH070XV36A	10233316
XC13N024-230	TXV	23000	13	11	CH35-18A		10238422
XC13N024-230	TXV	24000	15.1	12	CH35-24A	EL180UH045E36A	10233317
XC13N024-230	TXV	24000	15.1	12	CH35-24A	EL180UH045XE36A	10233318
XC13N024-230	TXV	24000	15.1	12	CH35-24A	SL280UH070V36A	10233319
XC13N024-230	TXV	24000	15.1	12	CH35-24A	SL280UH070XV36A	10233320
XC13N024-230	TXV	23400	13	11	CH35-24A		10238423
XC13N024-230	TXV	24000	15.1	12	CH35-24B	EL180UH070E36B	10233517
XC13N024-230	TXV	24000	15.1	12	CH35-24B	EL180UH070XE36B	10233518
XC13N024-230	TXV	23600	14.5	12.2	CH35-24B	EL195UH030XE24B	10233321
XC13N024-230	TXV	23600	14.5	12.2	CH35-24B	EL195UH045XE24B	10233322
XC13N024-230	TXV	23600	15	12	CH35-24B	EL195UH045XE36B	10233323
XC13N024-230	TXV	23600	15.1	12	CH35-24B	EL195UH070XE36B	10233324
XC13N024-230	TXV	23600	15	12	CH35-24B	EL296UH045XE36B	10233519
XC13N024-230	TXV	23800	15.1	12	CH35-24B	EL296UH045XV36B	10233325
XC13N024-230	TXV	23600	15.1	12	CH35-24B	EL296UH070XE36B	10233326
XC13N024-230	TXV	23800	15.1	12	CH35-24B	EL296UH070XV36B	10233327
XC13N024-230	TXV	24000	15.5	12	CH35-24B	SL280UH090V36B	10233328
XC13N024-230	TXV	23800	15.1	12	CH35-24B	SLP98UH070XV36B	10233329
XC13N024-230	TXV	23200	13	11	CH35-24B		10238424
XC13N024-230	TXV	24000	15.1	12	CH35-30A	EL180UH045E36A	10233330
XC13N024-230	TXV	24000	15.5	12.5	CH35-30A	EL180UH045XE36A	10233331
XC13N024-230	TXV	24000	15.1	12.5	CH35-30A	SL280UH070V36A	10233332
XC13N024-230	TXV	24000	15.5	12	CH35-30A	SL280UH070XV36A	10233333
XC13N024-230	TXV	23800	13	11	CH35-30A		10238425
XC13N024-230	TXV	24000	15.5	12	CH35-30B	EL180UH070E36B	10233520
XC13N024-230	TXV	24000	15.5	12	CH35-30B	EL180UH070XE36B	10233521
XC13N024-230	TXV	24000	15	12.5	CH35-30B	EL195UH030XE24B	10233334
XC13N024-230	TXV	24000	15	12.5	CH35-30B	EL195UH045XE24B	10233335
XC13N024-230	TXV	24000	15.5	12	CH35-30B	EL195UH045XE36B	10233336
XC13N024-230	TXV	24000	15.5	12	CH35-30B	EL195UH070XE36B	10233337
XC13N024-230	TXV	24000	15.5	12.5	CH35-30B	EL296UH045XE36B	10233522
XC13N024-230	TXV	24000	15.5	12.5	CH35-30B	EL296UH045XV36B	10233338
XC13N024-230	TXV	24000	15.5	12	CH35-30B	EL296UH070XE36B	10233339
XC13N024-230	TXV	24000	15.5	12.5	CH35-30B	SL280UH090V36B	10233340
XC13N024-230	TXV	24000	15.5	12	CH35-30B	SLP98UH070XV36B	10233341
XC13N024-230	TXV	23800	13	11	CH35-30B		10238426
XC13N024-230	TXV	23800	15	12	CH35-36A	EL180UH045E36A	10233342
XC13N024-230	TXV	24000	15.1	12.5	CH35-36A	EL180UH045XE36A	10233343

NOTES:

TXV = Matched with Thermostatic Expansion Valve.

RFC = Matched with RFC metering device.

AHRI certified to AHRI Standard 210/240 (with 25 ft. of connecting refrigerant lines); 95°F outdoor air temperature, 80°F db / 67°F wb entering evaporator air.

All ratings include the use of a blower time delay relay (TDR). All Lennox variable-speed furnaces and Air Handlers have time delay capabilities. Other Furnaces and Air Handlers may require an optional time delay relay (**58M81**) for field installation. See furnace or air handler specifications to determine if relay is needed.

Also see Expansion Valve Kit Usage Table.

AHRI SYSTEM MATCHES - NORTH REGION

NOTE - For the latest up-to-date system matches please visit the AHRI web site at <http://www.ahridirectory.org>

Model No.	Expansion Device	Capacity	SEER	EER	Coil or Air Handler	Furnace	AHRI Reference
XC13N024-230	TXV	23800	15	12	CH35-36A	SL280UH070V36A	10233344
XC13N024-230	TXV	23800	15	12	CH35-36A	SL280UH070XV36A	10233345
XC13N024-230	TXV	23200	13	11	CH35-36A		10238427
XC13N024-230	TXV	24000	15.5	12.5	CH35-36B	EL180UH070E36B	10233523
XC13N024-230	TXV	24000	15.5	12.5	CH35-36B	EL180UH070XE36B	10233524
XC13N024-230	TXV	23600	14.5	12.2	CH35-36B	EL195UH030XE24B	10233525
XC13N024-230	TXV	23600	14.5	12.2	CH35-36B	EL195UH045XE24B	10233526
XC13N024-230	TXV	24000	15.1	12.5	CH35-36B	EL195UH045XE36B	10233346
XC13N024-230	TXV	23600	15.1	12	CH35-36B	EL195UH070XE36B	10233347
XC13N024-230	TXV	23600	15	12	CH35-36B	EL296UH045XE36B	10233348
XC13N024-230	TXV	23800	15.1	12	CH35-36B	EL296UH045XV36B	10233349
XC13N024-230	TXV	23600	15.1	12	CH35-36B	EL296UH070XE36B	10238433
XC13N024-230	TXV	24000	15.5	12.5	CH35-36B	EL296UH070XV36B	10233350
XC13N024-230	TXV	24000	15.5	12	CH35-36B	SL280UH090V36B	10233351
XC13N024-230	TXV	23800	15.1	12	CH35-36B	SLP98UH070XV36B	10233352
XC13N024-230	TXV	23200	13	11	CH35-36B		10238428
XC13N024-230	TXV	24000	15.5	12	CH35-36C	EL296UH090XV36C	10233353
XC13N024-230	TXV	23400	13	11	CH35-36C		10238429
XC13N024-230	TXV	22600	14	12	CR33-24A	EL180DF045E36A	10233527
XC13N024-230	TXV	22800	14.25	11	CR33-24A	SL280DF070V36A	10233354
XC13N024-230	TXV	22600	14.5	11	CR33-24B	EL180DF070E36B	10233528
XC13N024-230	TXV	22400	14.25	11	CR33-24B	EL195DF045XE36B	10233529
XC13N024-230	TXV	22400	14.25	11	CR33-24B	EL195DF070XE48B	10233530
XC13N024-230	TXV	22400	14.25	11	CR33-24B	EL296DF045XE36B	10233531
XC13N024-230	TXV	22800	14.25	11	CR33-24B	EL296DF045XV36B	10233355
XC13N024-230	TXV	22400	14.25	11	CR33-24B	EL296DF070XE48B	10233532
XC13N024-230	TXV	22800	14.5	11	CR33-24B	SLP98DF070XV36B	10233356
XC13N024-230	TXV	23600	13	11	CR33-30/36		10233149
XC13N024-230	TXV	23800	15.1	12	CR33-30/36A	EL180DF045E36A	10233533
XC13N024-230	TXV	24000	15	12	CR33-30/36A	SL280DF070V36A	10233357
XC13N024-230	TXV	24000	15.1	12	CR33-30/36B	EL180DF070E36B	10233534
XC13N024-230	TXV	24200	15	12.5	CR33-30/36B	EL195DF045XE36B	10233535
XC13N024-230	TXV	24400	15.5	12.5	CR33-30/36B	EL195DF070XE48B	10233536
XC13N024-230	TXV	24200	15	12.5	CR33-30/36B	EL296DF045XE36B	10233537
XC13N024-230	TXV	24000	15.1	12	CR33-30/36B	EL296DF045XV36B	10233358
XC13N024-230	TXV	24400	15.5	12.5	CR33-30/36B	EL296DF070XE48B	10233538
XC13N024-230	TXV	24000	15.1	12	CR33-30/36B	EL296DF070XV48B	10233359
XC13N024-230	TXV	24600	15.1	12.5	CR33-30/36B	SL280DF090V48B	10233360
XC13N024-230	TXV	24400	15.5	12.5	CR33-30/36B	SLP98DF070XV36B	10233361
XC13N024-230	TXV	24400	15.5	12.5	CR33-30/36C	SLP98DF090XV36C	10233362
XC13N024-230	TXV	23000	14	11.5	CX35-18/24A	EL180UH045E36A	10233436
XC13N024-230	TXV	23000	14	11.5	CX35-18/24A	EL180UH045XE36A	10233437
XC13N024-230	TXV	23400	14	12	CX35-18/24A	SL280UH070V36A	10233438
XC13N024-230	TXV	23400	14	12	CX35-18/24A	SL280UH070XV36A	10233439
XC13N024-230	TXV	22800	14	12	CX35-18/24B	EL180UH070E36B	10233565
XC13N024-230	TXV	22800	14	12	CX35-18/24B	EL180UH070XE36B	10233566
XC13N024-230	TXV	23000	14	11.5	CX35-18/24B	EL195UH030XE24B	10233567
XC13N024-230	TXV	23000	14	11.5	CX35-18/24B	EL195UH045XE24B	10233568
XC13N024-230	TXV	22600	14	11.5	CX35-18/24B	EL195UH045XE36B	10233569

NOTES:

TXV = Matched with Thermostatic Expansion Valve.

RFC = Matched with RFC metering device.

AHRI certified to AHRI Standard 210/240 (with 25 ft. of connecting refrigerant lines); 95°F outdoor air temperature, 80°F db / 67°F wb entering evaporator air.

All ratings include the use of a blower time delay relay (TDR). All Lennox variable-speed furnaces and Air Handlers have time delay capabilities. Other Furnaces and Air Handlers may require an optional time delay relay (**58M81**) for field installation. See furnace or air handler specifications to determine if relay is needed.

Also see Expansion Valve Kit Usage Table.

AHRI SYSTEM MATCHES - NORTH REGION

NOTE - For the latest up-to-date system matches please visit the AHRI web site at <http://www.ahridirectory.org>

Model No.	Expansion Device	Capacity	SEER	EER	Coil or Air Handler	Furnace	AHRI Reference
XC13N024-230	TXV	23000	14	12	CX35-18/24B	EL195UH070XE36B	10233440
XC13N024-230	TXV	22600	14	11.5	CX35-18/24B	EL296UH045XE36B	10233570
XC13N024-230	TXV	23200	14	12	CX35-18/24B	EL296UH045XV36B	10233441
XC13N024-230	TXV	23000	14	12	CX35-18/24B	EL296UH070XE36B	10233442
XC13N024-230	TXV	23200	14	12	CX35-18/24B	EL296UH070XV36B	10233443
XC13N024-230	TXV	23200	14.25	12	CX35-18/24B	SL280UH090V36B	10233444
XC13N024-230	TXV	23200	14	12	CX35-18/24B	SLP98UH070XV36B	10233445
XC13N024-230	TXV	24000	15.1	12.5	CX35-24A	EL180UH045E36A	10233446
XC13N024-230	TXV	24000	15.1	12.5	CX35-24A	EL180UH045XE36A	10233447
XC13N024-230	TXV	24000	15.1	12.5	CX35-24A	SL280UH070V36A	10233448
XC13N024-230	TXV	24000	15.1	12.5	CX35-24A	SL280UH070XV36A	10233449
XC13N024-230	TXV	23400	13	11	CX35-24A		10304637
XC13N024-230	TXV	24000	15.1	12.5	CX35-24B	EL180UH070E36B	10233571
XC13N024-230	TXV	23800	15.1	12.5	CX35-24B	EL180UH070XE36B	10233572
XC13N024-230	TXV	23800	15	12	CX35-24B	EL195UH030XE24B	10233573
XC13N024-230	TXV	23800	15	12	CX35-24B	EL195UH045XE24B	10233574
XC13N024-230	TXV	23600	15	12	CX35-24B	EL195UH045XE36B	10233450
XC13N024-230	TXV	24000	15	12.5	CX35-24B	EL195UH070XE36B	10233575
XC13N024-230	TXV	23600	15	12	CX35-24B	EL296UH045XE36B	10233451
XC13N024-230	TXV	24200	15.1	12.5	CX35-24B	EL296UH045XV36B	10233452
XC13N024-230	TXV	24000	15	12.5	CX35-24B	EL296UH070XE36B	10233576
XC13N024-230	TXV	24000	15.1	12.5	CX35-24B	EL296UH070XV36B	10233453
XC13N024-230	TXV	24000	15.1	12.5	CX35-24B	SLP98UH070XV36B	10233454
XC13N024-230	TXV	23400	13	11	CX35-24B		10304638
XC13N024-230	TXV	23600	14	12.2	CX35-30/36B	EL195UH030XE24B	10233455
XC13N024-230	TXV	23600	14.5	12.2	CX35-30/36B	EL195UH045XE24B	10233456
XC13N024-230	TXV	24000	15	12	CX35-30B	EL195UH030XE24B	10233457
XC13N024-230	TXV	24000	15	12	CX35-30B	EL195UH045XE24B	10233458
XC13N030-230	RFC	28000	13	10.5	C35-30A		8629852
XC13N030-230	RFC	28000	13	10.5	C35-30B		8736599
XC13N030-230	RFC	28000	13	10.5	C35-36A		8629854
XC13N030-230	RFC	28000	13	10.5	C35-36B		8736600
XC13N030-230	RFC	28000	13	10.5	C35-48C		8629856
XC13N030-230	RFC	29000	13	11	CH33-25		7618257
XC13N030-230	RFC	29400	13	11	CH33-31		7618268
XC13N030-230	RFC	28600	13	11	CH33-36		7618285
XC13N030-230	RFC	29200	13.5	11	CH33-42B		7618299
XC13N030-230	RFC	29600	13.5	11.5	CH33-43		7618308
XC13N030-230	RFC	29600	13.5	11.5	CH33-48		7618320
XC13N030-230	RFC	29000	13.5	11	CR33-30/36		7618328
XC13N030-230	TXV	29200	14.5	12	C35-24A	EL180UH045E36A	8269482
XC13N030-230	TXV	29200	14.5	12	C35-24A	EL180UH045XE36A	8269483
XC13N030-230	TXV	29400	14.5	12	C35-24A	SL280UH070V36A	8269484
XC13N030-230	TXV	29400	14.5	12	C35-24A	SL280UH070XV36A	8269485
XC13N030-230	TXV	28800	13	11	C35-24A		8269481
XC13N030-230	TXV	29200	14.5	12	C35-24B	EL195UH045XE36B	8269268
XC13N030-230	TXV	29400	14.5	12	C35-24B	EL195UH070XE36B	8269263
XC13N030-230	TXV	29200	14.5	12	C35-24B	EL296UH045XE36B	8269260
XC13N030-230	TXV	29200	14.5	12	C35-24B	EL296UH045XV36B	8269264

NOTES:

TXV = Matched with Thermostatic Expansion Valve.

RFC = Matched with RFC metering device.

AHRI certified to AHRI Standard 210/240 (with 25 ft. of connecting refrigerant lines); 95°F outdoor air temperature, 80°F db / 67°F wb entering evaporator air. All ratings include the use of a blower time delay relay (TDR). All Lennox variable-speed furnaces and Air Handlers have time delay capabilities. Other Furnaces and Air Handlers may require an optional time delay relay (**58M81**) for field installation. See furnace or air handler specifications to determine if relay is needed.

Also see Expansion Valve Kit Usage Table.

AHRI SYSTEM MATCHES - NORTH REGION

NOTE - For the latest up-to-date system matches please visit the AHRI web site at <http://www.ahridirectory.org>

Model No.	Expansion Device	Capacity	SEER	EER	Coil or Air Handler	Furnace	AHRI Reference
XC13N030-230	TXV	29400	14.5	12	C35-24B	EL296UH070XE36B	8269259
XC13N030-230	TXV	29200	14.5	12	C35-24B	EL296UH070XV36B	8269266
XC13N030-230	TXV	29400	14.5	12	C35-24B	SL280UH090V36B	8269265
XC13N030-230	TXV	29600	14.5	12	C35-24B	SL280UH090V48B	8269267
XC13N030-230	TXV	29600	14.5	12	C35-24B	SL280UH090XV48B	8269261
XC13N030-230	TXV	29200	14.5	12	C35-24B	SLP98UH070XV36B	8269262
XC13N030-230	TXV	28800	13	11	C35-24B		8269258
XC13N030-230	TXV	29200	14.5	12	C35-30/36A	EL180UH045E36A	8269290
XC13N030-230	TXV	29200	14.5	12	C35-30/36A	EL180UH045XE36A	8269291
XC13N030-230	TXV	29200	14.5	12	C35-30/36A	SL280UH070V36A	8269292
XC13N030-230	TXV	29200	14.5	12	C35-30/36A	SL280UH070XV36A	8269293
XC13N030-230	TXV	28600	13	11	C35-30/36A		8269289
XC13N030-230	TXV	29200	15	12.5	C35-30/36B	EL180UH070E36B	8269296
XC13N030-230	TXV	29200	15	12.5	C35-30/36B	EL180UH070XE36B	8269295
XC13N030-230	TXV	29400	15	12.5	C35-30/36B	EL180UH090E48B	8269294
XC13N030-230	TXV	29400	15	12.5	C35-30/36B	EL180UH090XE48B	8269297
XC13N030-230	TXV	29200	14.5	12	C35-30/36B	EL195UH045XE36B	8269304
XC13N030-230	TXV	29400	14.5	12	C35-30/36B	EL195UH070XE36B	8269305
XC13N030-230	TXV	29200	14.5	12	C35-30/36B	EL296UH045XE36B	8269298
XC13N030-230	TXV	29000	14.5	12	C35-30/36B	EL296UH045XV36B	8269306
XC13N030-230	TXV	29400	14.5	12	C35-30/36B	EL296UH070XE36B	8269299
XC13N030-230	TXV	29000	14.5	12	C35-30/36B	EL296UH070XV36B	8269307
XC13N030-230	TXV	29400	15	12.5	C35-30/36B	SL280UH090V36B	8269300
XC13N030-230	TXV	29600	14.5	12.2	C35-30/36B	SL280UH090V48B	8269301
XC13N030-230	TXV	29600	14.5	12.2	C35-30/36B	SL280UH090XV48B	8269302
XC13N030-230	TXV	29200	14.5	12	C35-30/36B	SLP98UH070XV36B	8269303
XC13N030-230	TXV	28600	13	11	C35-30/36B		8269288
XC13N030-230	TXV	29000	14.5	12	C35-30/36C	EL195UH090XE48C	8269311
XC13N030-230	TXV	29000	14.5	12	C35-30/36C	EL296UH090XE48C	8269308
XC13N030-230	TXV	29200	15	12.5	C35-30/36C	EL296UH090XV36C	8269309
XC13N030-230	TXV	29200	15	12.5	C35-30/36C	SLP98UH090XV36C	8269310
XC13N030-230	TXV	29800	14.5	12	C35-30A	EL180UH045E36A	8269270
XC13N030-230	TXV	29800	14.5	12	C35-30A	EL180UH045XE36A	8269271
XC13N030-230	TXV	29800	15	12.5	C35-30A	SL280UH070V36A	8269272
XC13N030-230	TXV	29800	15	12.5	C35-30A	SL280UH070XV36A	8269273
XC13N030-230	TXV	29200	13	11	C35-30A		8269269
XC13N030-230	TXV	29800	15	12.5	C35-30B	EL180UH070E36B	8269276
XC13N030-230	TXV	29800	15	12.5	C35-30B	EL180UH070XE36B	8269275
XC13N030-230	TXV	29800	15	12.5	C35-30B	EL180UH090E48B	8269274
XC13N030-230	TXV	29800	15	12.5	C35-30B	EL180UH090XE48B	8269277
XC13N030-230	TXV	29800	14.5	12	C35-30B	EL195UH045XE36B	8269286
XC13N030-230	TXV	30000	14.5	12	C35-30B	EL195UH070XE36B	8269287
XC13N030-230	TXV	29800	14.5	12	C35-30B	EL296UH045XE36B	8269278
XC13N030-230	TXV	29600	14.5	12	C35-30B	EL296UH045XV36B	8269280
XC13N030-230	TXV	30000	14.5	12	C35-30B	EL296UH070XE36B	8269279
XC13N030-230	TXV	29800	15	12.5	C35-30B	EL296UH070XV36B	8269281
XC13N030-230	TXV	30000	15	12.5	C35-30B	SL280UH090V36B	8269282
XC13N030-230	TXV	30000	15	12.5	C35-30B	SL280UH090V48B	8269283
XC13N030-230	TXV	30000	15	12.5	C35-30B	SL280UH090XV48B	8269284

NOTES:

TXV = Matched with Thermostatic Expansion Valve.

RFC = Matched with RFC metering device.

AHRI certified to AHRI Standard 210/240 (with 25 ft. of connecting refrigerant lines); 95°F outdoor air temperature, 80°F db / 67°F wb entering evaporator air.

All ratings include the use of a blower time delay relay (TDR). All Lennox variable-speed furnaces and Air Handlers have time delay capabilities. Other Furnaces and Air Handlers may require an optional time delay relay (**58M81**) for field installation. See furnace or air handler specifications to determine if relay is needed.

Also see Expansion Valve Kit Usage Table.

AHRI SYSTEM MATCHES - NORTH REGION

NOTE - For the latest up-to-date system matches please visit the AHRI web site at <http://www.ahridirectory.org>

Model No.	Expansion Device	Capacity	SEER	EER	Coil or Air Handler	Furnace	AHRI Reference
XC13N030-230	TXV	29800	15	12.5	C35-30B	SLP98UH070XV36B	8269285
XC13N030-230	TXV	29200	13	11	C35-30B		9122510
XC13N030-230	TXV	30000	15	12.5	C35-36A	EL180UH045E36A	8269314
XC13N030-230	TXV	30000	15	12.5	C35-36A	EL180UH045XE36A	8269315
XC13N030-230	TXV	30000	15	12.5	C35-36A	SL280UH070V36A	8269316
XC13N030-230	TXV	30000	15	12.5	C35-36A	SL280UH070XV36A	8269317
XC13N030-230	TXV	29400	13.5	11.5	C35-36A		8269313
XC13N030-230	TXV	30000	15	12.5	C35-36B	EL180UH070E36B	8269320
XC13N030-230	TXV	30000	15	12.5	C35-36B	EL180UH070XE36B	8269319
XC13N030-230	TXV	30200	15.5	12.5	C35-36B	EL180UH090E48B	8269318
XC13N030-230	TXV	30200	15.5	12.5	C35-36B	EL180UH090XE48B	8269321
XC13N030-230	TXV	30000	15	12	C35-36B	EL195UH045XE36B	8269331
XC13N030-230	TXV	30200	15	12	C35-36B	EL195UH070XE36B	8269325
XC13N030-230	TXV	30000	15	12	C35-36B	EL296UH045XE36B	8269322
XC13N030-230	TXV	29800	15	12	C35-36B	EL296UH045XV36B	8269326
XC13N030-230	TXV	30200	15	12	C35-36B	EL296UH070XE36B	8269323
XC13N030-230	TXV	29800	15	12.5	C35-36B	EL296UH070XV36B	8269327
XC13N030-230	TXV	30200	15.5	12.5	C35-36B	SL280UH090V36B	8269328
XC13N030-230	TXV	30200	15	12.5	C35-36B	SL280UH090V48B	8269329
XC13N030-230	TXV	30200	15	12.5	C35-36B	SL280UH090XV48B	8269330
XC13N030-230	TXV	30000	15	12.5	C35-36B	SLP98UH070XV36B	8269324
XC13N030-230	TXV	29400	13.5	11.5	C35-36B		8269312
XC13N030-230	TXV	30200	15.5	12.5	C35-48B	EL180UH070E36B	8269335
XC13N030-230	TXV	30200	15.5	12.5	C35-48B	EL180UH070XE36B	8269334
XC13N030-230	TXV	30400	15.5	12.5	C35-48B	EL180UH090E48B	8269333
XC13N030-230	TXV	30400	15.5	12.5	C35-48B	EL180UH090XE48B	8269336
XC13N030-230	TXV	30200	15	12.5	C35-48B	EL195UH045XE36B	8269346
XC13N030-230	TXV	30400	15	12.5	C35-48B	EL195UH070XE36B	8269340
XC13N030-230	TXV	30200	15	12.5	C35-48B	EL296UH045XE36B	8269338
XC13N030-230	TXV	30000	15	12.5	C35-48B	EL296UH045XV36B	8269341
XC13N030-230	TXV	30400	15	12.5	C35-48B	EL296UH070XE36B	8269337
XC13N030-230	TXV	30000	15	12.5	C35-48B	EL296UH070XV36B	8269342
XC13N030-230	TXV	30200	15.5	12.5	C35-48B	SL280UH090V36B	8269343
XC13N030-230	TXV	30400	15	12.5	C35-48B	SL280UH090V48B	8269344
XC13N030-230	TXV	30400	15	12.5	C35-48B	SL280UH090XV48B	8269345
XC13N030-230	TXV	30200	15	12.5	C35-48B	SLP98UH070XV36B	8269339
XC13N030-230	TXV	29600	13	11	C35-48B		8269332
XC13N030-230	TXV	30200	15.5	12.5	C35-48C	EL195UH090XE48C	8269487
XC13N030-230	TXV	30200	15.5	12.5	C35-48C	EL296UH090XE48C	8269486
XC13N030-230	TXV	30200	15.5	12.5	C35-48C	EL296UH090XV36C	8269488
XC13N030-230	TXV	30200	15.5	12.5	C35-48C	SLP98UH090XV36C	8269489
XC13N030-230	TXV	29800	15	12.5	CBA27UHE-030		10259486
XC13N030-230	TXV	30000	15	12.5	CBA27UHE-036		10259487
XC13N030-230	TXV	28800	13	11	CBX25UH-030		7619784
XC13N030-230	TXV	29200	13.5	11.5	CBX25UH-036		7622712
XC13N030-230	TXV	29400	14.5	12.2	CBX25UHV-030		7622680
XC13N030-230	TXV	29600	15	12.5	CBX27UH-030		7618235
XC13N030-230	TXV	29800	15	12.5	CBX27UH-036		7618236
XC13N030-230	TXV	28200	13	11	CBX32M-018/024		7618241

NOTES:

TXV = Matched with Thermostatic Expansion Valve.

RFC = Matched with RFC metering device.

AHRI certified to AHRI Standard 210/240 (with 25 ft. of connecting refrigerant lines); 95°F outdoor air temperature, 80°F db / 67°F wb entering evaporator air.

All ratings include the use of a blower time delay relay (TDR). All Lennox variable-speed furnaces and Air Handlers have time delay capabilities. Other Furnaces and Air Handlers may require an optional time delay relay (**58M81**) for field installation. See furnace or air handler specifications to determine if relay is needed.

Also see Expansion Valve Kit Usage Table.

AHRI SYSTEM MATCHES - NORTH REGION

NOTE - For the latest up-to-date system matches please visit the AHRI web site at <http://www.ahridirectory.org>

Model No.	Expansion Device	Capacity	SEER	EER	Coil or Air Handler	Furnace	AHRI Reference
XC13N030-230	TXV	29400	14	12	CBX32M-030		7618239
XC13N030-230	TXV	29200	14	11.5	CBX32M-036		7618240
XC13N030-230	TXV	29200	14	11.5	CBX32MV-024/030		7618242
XC13N030-230	TXV	29600	14.5	12	CBX32MV-036		7618243
XC13N030-230	TXV	29400	14.5	12	CBX40UHV-030		7618244
XC13N030-230	TXV	29600	14.5	12	CBX40UHV-036		7618245
XC13N030-230	TXV	29600	14.5	12	CH23-41	EL180UH045E36A	7620106
XC13N030-230	TXV	29600	14.5	12	CH23-41	EL180UH045XE36A	7620005
XC13N030-230	TXV	29800	15	12.5	CH23-41	EL180UH070E36B	7620267
XC13N030-230	TXV	29800	15	12.5	CH23-41	EL180UH070XE36B	7620470
XC13N030-230	TXV	29800	15	12.5	CH23-41	EL180UH090E48B	7620540
XC13N030-230	TXV	29800	15	12.5	CH23-41	EL180UH090XE48B	7619801
XC13N030-230	TXV	29600	14.5	12	CH23-41	EL195UH045XE36B	7618246
XC13N030-230	TXV	29600	14.5	12	CH23-41	EL195UH070XE36B	7618247
XC13N030-230	TXV	29400	15	12.5	CH23-41	EL195UH090XE48C	7618248
XC13N030-230	TXV	29600	14.5	12	CH23-41	EL296UH045XE36B	7619274
XC13N030-230	TXV	29400	14.5	12.5	CH23-41	EL296UH045XV36B	7618249
XC13N030-230	TXV	29600	14.5	12	CH23-41	EL296UH070XE36B	7619275
XC13N030-230	TXV	29400	15	12.5	CH23-41	EL296UH070XV36B	7618250
XC13N030-230	TXV	29400	15	12.5	CH23-41	EL296UH090XE48C	7619276
XC13N030-230	TXV	29600	15	12.5	CH23-41	SL280UH070V36A	7618251
XC13N030-230	TXV	29600	15	12.5	CH23-41	SL280UH070XV36A	7618252
XC13N030-230	TXV	29600	15	12.5	CH23-41	SL280UH090V36B	7618253
XC13N030-230	TXV	29400	15	12.5	CH23-41	SLP98UH070XV36B	7618254
XC13N030-230	TXV	28800	13	11	CH23-41		7618441
XC13N030-230	TXV	28600	14	11.5	CH33-19	EL180UH045E36A	7620108
XC13N030-230	TXV	28600	14	11.5	CH33-19	EL180UH045XE36A	7620047
XC13N030-230	TXV	28800	14	12	CH33-19	SL280UH070V36A	7618255
XC13N030-230	TXV	28800	14	12	CH33-19	SL280UH070XV36A	7618256
XC13N030-230	TXV	28200	13	11	CH33-19		7618442
XC13N030-230	TXV	29000	13	11	CH33-25		7618443
XC13N030-230	TXV	29400	14.5	12	CH33-25A	EL180UH045E36A	7620110
XC13N030-230	TXV	29400	14.5	12	CH33-25A	EL180UH045XE36A	7620049
XC13N030-230	TXV	29400	14.5	12	CH33-25A	SL280UH070V36A	7618258
XC13N030-230	TXV	29400	14.5	12	CH33-25A	SL280UH070XV36A	7618260
XC13N030-230	TXV	29200	15	12.5	CH33-25B	EL180UH070E36B	7620268
XC13N030-230	TXV	29200	15	12.5	CH33-25B	EL180UH070XE36B	7620471
XC13N030-230	TXV	29400	15	12.5	CH33-25B	EL180UH090E48B	7620256
XC13N030-230	TXV	29400	15	12.5	CH33-25B	EL180UH090XE48B	7619802
XC13N030-230	TXV	29200	14.5	12	CH33-25B	EL195UH045XE36B	7618259
XC13N030-230	TXV	29400	14.5	12	CH33-25B	EL195UH070XE36B	7618261
XC13N030-230	TXV	29200	14.5	12	CH33-25B	EL296UH045XE36B	7619277
XC13N030-230	TXV	29200	14.5	12	CH33-25B	EL296UH045XV36B	7618262
XC13N030-230	TXV	29400	14.5	12	CH33-25B	EL296UH070XE36B	7619278
XC13N030-230	TXV	29200	14.5	12	CH33-25B	EL296UH070XV36B	7618263
XC13N030-230	TXV	29400	15	12.5	CH33-25B	SL280UH090V36B	7618264
XC13N030-230	TXV	29600	14.5	12.2	CH33-25B	SL280UH090V48B	7618265
XC13N030-230	TXV	29600	14.5	12.2	CH33-25B	SL280UH090XV48B	7618266
XC13N030-230	TXV	29200	14.5	12	CH33-25B	SLP98UH070XV36B	7618267

NOTES:

TXV = Matched with Thermostatic Expansion Valve.

RFC = Matched with RFC metering device.

AHRI certified to AHRI Standard 210/240 (with 25 ft. of connecting refrigerant lines); 95°F outdoor air temperature, 80°F db / 67°F wb entering evaporator air.

All ratings include the use of a blower time delay relay (TDR). All Lennox variable-speed furnaces and Air Handlers have time delay capabilities. Other Furnaces and Air Handlers may require an optional time delay relay (**58M81**) for field installation. See furnace or air handler specifications to determine if relay is needed.

Also see Expansion Valve Kit Usage Table.

AHRI SYSTEM MATCHES - NORTH REGION

NOTE - For the latest up-to-date system matches please visit the AHRI web site at <http://www.ahridirectory.org>

Model No.	Expansion Device	Capacity	SEER	EER	Coil or Air Handler	Furnace	AHRI Reference
XC13N030-230	TXV	29400	13	11	CH33-31		7618444
XC13N030-230	TXV	29800	14.5	12	CH33-31A	EL180UH045E36A	7620111
XC13N030-230	TXV	29800	14.5	12	CH33-31A	EL180UH045XE36A	7620051
XC13N030-230	TXV	29800	15	12	CH33-31A	SL280UH070V36A	7618269
XC13N030-230	TXV	29800	15	12	CH33-31A	SL280UH070XV36A	7618270
XC13N030-230	TXV	30000	15	12.5	CH33-31B	EL180UH070E36B	7620270
XC13N030-230	TXV	30000	15	12.5	CH33-31B	EL180UH070XE36B	7620472
XC13N030-230	TXV	30000	15	12.5	CH33-31B	EL180UH090E48B	7620542
XC13N030-230	TXV	30000	14.5	12	CH33-31B	EL195UH045XE36B	7618273
XC13N030-230	TXV	30200	15	12.5	CH33-31B	EL195UH070XE36B	7618274
XC13N030-230	TXV	30000	14.5	12	CH33-31B	EL296UH045XE36B	7619279
XC13N030-230	TXV	29800	15	12	CH33-31B	EL296UH045XV36B	7618280
XC13N030-230	TXV	30200	15	12.5	CH33-31B	EL296UH070XE36B	7619280
XC13N030-230	TXV	29800	15	12.5	CH33-31B	EL296UH070XV36B	7618281
XC13N030-230	TXV	30200	15.5	12.5	CH33-31B	SL280UH090V36B	7618282
XC13N030-230	TXV	30200	15	12.5	CH33-31B	SL280UH090V48B	7618283
XC13N030-230	TXV	30000	15	12.5	CH33-31B	SL280UH090XV48B	7618272
XC13N030-230	TXV	30000	15	12.5	CH33-31B	SLP98UH070XV36B	7618284
XC13N030-230	TXV	29400	15	12.5	CH33-36	EL296UH090XV36C	7618298
XC13N030-230	TXV	29400	15	12.5	CH33-36	SLP98UH090XV36C	7618297
XC13N030-230	TXV	28600	13	11	CH33-36		7618445
XC13N030-230	TXV	29000	14.5	12	CH33-36A	EL180UH045E36A	7620113
XC13N030-230	TXV	29000	14.5	12	CH33-36A	EL180UH045XE36A	7620053
XC13N030-230	TXV	29200	14.5	12	CH33-36A	SL280UH070V36A	7618286
XC13N030-230	TXV	29200	14.5	12	CH33-36A	SL280UH070XV36A	7618287
XC13N030-230	TXV	29200	14.5	12.5	CH33-36B	EL180UH070E36B	7620271
XC13N030-230	TXV	29200	14.5	12.5	CH33-36B	EL180UH070XE36B	7620474
XC13N030-230	TXV	29400	15	12.5	CH33-36B	EL180UH090E48B	7620543
XC13N030-230	TXV	29400	15	12.5	CH33-36B	EL180UH090XE48B	7620858
XC13N030-230	TXV	29200	14.5	12	CH33-36B	EL195UH045XE36B	7618289
XC13N030-230	TXV	29400	14.5	12	CH33-36B	EL195UH070XE36B	7618290
XC13N030-230	TXV	29200	14.5	12	CH33-36B	EL296UH045XE36B	7619283
XC13N030-230	TXV	29000	14.5	12	CH33-36B	EL296UH045XV36B	7618291
XC13N030-230	TXV	29400	14.5	12	CH33-36B	EL296UH070XE36B	7619284
XC13N030-230	TXV	29000	14.5	12	CH33-36B	EL296UH070XV36B	7618292
XC13N030-230	TXV	29400	15	12.5	CH33-36B	SL280UH090V36B	7618293
XC13N030-230	TXV	29600	14.5	12.2	CH33-36B	SL280UH090V48B	7618294
XC13N030-230	TXV	29600	14.5	12.2	CH33-36B	SL280UH090XV48B	7618288
XC13N030-230	TXV	29200	14.5	12	CH33-36B	SLP98UH070XV36B	7618295
XC13N030-230	TXV	29400	15	12.5	CH33-36C	EL195UH090XE48C	7618296
XC13N030-230	TXV	29400	15	12.5	CH33-36C	EL296UH090XE48C	7619285
XC13N030-230	TXV	29200	13.5	11	CH33-42		7618446
XC13N030-230	TXV	29800	15	12.5	CH33-42B	EL180UH070E36B	7620272
XC13N030-230	TXV	29800	15	12.5	CH33-42B	EL180UH070XE36B	7620475
XC13N030-230	TXV	29800	15	12.5	CH33-42B	EL180UH090E48B	7620544
XC13N030-230	TXV	29800	15	12.5	CH33-42B	EL180UH090XE48B	7620860
XC13N030-230	TXV	29800	14.5	12	CH33-42B	EL195UH045XE36B	7618300
XC13N030-230	TXV	29800	14.5	12	CH33-42B	EL195UH070XE36B	7618301
XC13N030-230	TXV	29800	14.5	12	CH33-42B	EL296UH045XE36B	7619286

NOTES:

TXV = Matched with Thermostatic Expansion Valve.

RFC = Matched with RFC metering device.

AHRI certified to AHRI Standard 210/240 (with 25 ft. of connecting refrigerant lines); 95°F outdoor air temperature, 80°F db / 67°F wb entering evaporator air. All ratings include the use of a blower time delay relay (TDR). All Lennox variable-speed furnaces and Air Handlers have time delay capabilities. Other Furnaces and Air Handlers may require an optional time delay relay (**58M81**) for field installation. See furnace or air handler specifications to determine if relay is needed.

Also see Expansion Valve Kit Usage Table.

AHRI SYSTEM MATCHES - NORTH REGION

NOTE - For the latest up-to-date system matches please visit the AHRI web site at <http://www.ahridirectory.org>

Model No.	Expansion Device	Capacity	SEER	EER	Coil or Air Handler	Furnace	AHRI Reference
XC13N030-230	TXV	29600	14.5	12	CH33-42B	EL296UH045XV36B	7618302
XC13N030-230	TXV	29800	14.5	12	CH33-42B	EL296UH070XE36B	7619287
XC13N030-230	TXV	29600	15	12.5	CH33-42B	EL296UH070XV36B	7618303
XC13N030-230	TXV	30000	15	12.5	CH33-42B	SL280UH090V36B	7618304
XC13N030-230	TXV	30000	15	12.5	CH33-42B	SL280UH090V48B	7618305
XC13N030-230	TXV	30000	15	12.5	CH33-42B	SL280UH090XV48B	7618306
XC13N030-230	TXV	29800	15	12.5	CH33-42B	SLP98UH070XV36B	7618307
XC13N030-230	TXV	29600	13.5	11.5	CH33-43		7618447
XC13N030-230	TXV	30400	15.5	12.5	CH33-43B	EL180UH070E36B	7619816
XC13N030-230	TXV	30400	15.5	12.5	CH33-43B	EL180UH070XE36B	7620476
XC13N030-230	TXV	30600	15.5	12.5	CH33-43B	EL180UH090E48B	7620568
XC13N030-230	TXV	30600	15.5	12.5	CH33-43B	EL180UH090XE48B	7620861
XC13N030-230	TXV	30400	15	12.5	CH33-43B	EL195UH045XE36B	7618309
XC13N030-230	TXV	30600	15	12.5	CH33-43B	EL195UH070XE36B	7618310
XC13N030-230	TXV	30400	15	12.5	CH33-43B	EL296UH045XE36B	7619288
XC13N030-230	TXV	30200	15	12.5	CH33-43B	EL296UH045XV36B	7618311
XC13N030-230	TXV	30600	15	12.5	CH33-43B	EL296UH070XE36B	7619289
XC13N030-230	TXV	30200	15.5	12.5	CH33-43B	EL296UH070XV36B	7618312
XC13N030-230	TXV	30600	15.5	13	CH33-43B	SL280UH090V36B	7618313
XC13N030-230	TXV	30800	15.5	12.5	CH33-43B	SL280UH090V48B	7618314
XC13N030-230	TXV	30600	15.1	12.5	CH33-43B	SL280UH090XV48B	7618315
XC13N030-230	TXV	30400	15	12.5	CH33-43B	SLP98UH070XV36B	7618316
XC13N030-230	TXV	30200	15	12.5	CH33-43C	EL195UH090XE48C	7618317
XC13N030-230	TXV	30200	15	12.5	CH33-43C	EL296UH090XE48C	7619290
XC13N030-230	TXV	30200	15.5	12.5	CH33-43C	EL296UH090XV36C	7618318
XC13N030-230	TXV	30200	15.5	12.5	CH33-43C	SLP98UH090XV36C	7618319
XC13N030-230	TXV	30000	15	12.5	CH33-48	EL296UH090XV36C	7618321
XC13N030-230	TXV	30000	15	12.5	CH33-48	SLP98UH090XV36C	7618322
XC13N030-230	TXV	29600	13.5	11.5	CH33-48		7618448
XC13N030-230	TXV	28800	14.25	12	CH35-18A	EL180UH045E36A	7623977
XC13N030-230	TXV	28800	14.25	12	CH35-18A	EL180UH045XE36A	7623979
XC13N030-230	TXV	29000	14.25	12	CH35-18A	SL280UH070V36A	7623980
XC13N030-230	TXV	29000	14.25	12	CH35-18A	SL280UH070XV36A	7623982
XC13N030-230	TXV	28400	13	11	CH35-18A		7623975
XC13N030-230	TXV	29400	14.5	12.2	CH35-24A	EL180UH045E36A	7623988
XC13N030-230	TXV	29400	14.5	12.2	CH35-24A	EL180UH045XE36A	7623989
XC13N030-230	TXV	29600	14.5	12.2	CH35-24A	SL280UH070V36A	7623991
XC13N030-230	TXV	29600	14.5	12.2	CH35-24A	SL280UH070XV36A	7623993
XC13N030-230	TXV	29000	13	11	CH35-24A		7623984
XC13N030-230	TXV	29400	15	12.5	CH35-24B	EL180UH070E36B	7624005
XC13N030-230	TXV	29400	15	12.5	CH35-24B	EL180UH070XE36B	7624007
XC13N030-230	TXV	29400	15	12.5	CH35-24B	EL180UH090E48B	7624009
XC13N030-230	TXV	29400	15	12.5	CH35-24B	EL180UH090XE48B	7624010
XC13N030-230	TXV	29400	14.5	12.2	CH35-24B	EL195UH045XE36B	7623995
XC13N030-230	TXV	29600	14.5	12.2	CH35-24B	EL195UH070XE36B	7623996
XC13N030-230	TXV	29400	14.5	12.2	CH35-24B	EL296UH045XE36B	7623998
XC13N030-230	TXV	29200	14.5	12.2	CH35-24B	EL296UH045XV36B	7624002
XC13N030-230	TXV	29600	14.5	12.2	CH35-24B	EL296UH070XE36B	7624000
XC13N030-230	TXV	29200	14.5	12.2	CH35-24B	EL296UH070XV36B	7624003

NOTES:

TXV = Matched with Thermostatic Expansion Valve.

RFC = Matched with RFC metering device.

AHRI certified to AHRI Standard 210/240 (with 25 ft. of connecting refrigerant lines); 95°F outdoor air temperature, 80°F db / 67°F wb entering evaporator air.

All ratings include the use of a blower time delay relay (TDR). All Lennox variable-speed furnaces and Air Handlers have time delay capabilities. Other Furnaces and Air Handlers may require an optional time delay relay (**58M81**) for field installation. See furnace or air handler specifications to determine if relay is needed.

Also see Expansion Valve Kit Usage Table.

AHRI SYSTEM MATCHES - NORTH REGION

NOTE - For the latest up-to-date system matches please visit the AHRI web site at <http://www.ahridirectory.org>

Model No.	Expansion Device	Capacity	SEER	EER	Coil or Air Handler	Furnace	AHRI Reference
XC13N030-230	TXV	29600	15	12.5	CH35-24B	SL280UH090V36B	7624012
XC13N030-230	TXV	29800	14.5	12.2	CH35-24B	SL280UH090V48B	7624014
XC13N030-230	TXV	29800	14.5	12.2	CH35-24B	SL280UH090XV48B	7624015
XC13N030-230	TXV	29400	14.5	12.2	CH35-24B	SLP98UH070XV36B	7624017
XC13N030-230	TXV	28800	13	11	CH35-24B		7623986
XC13N030-230	TXV	29800	14.5	12.2	CH35-30A	EL180UH045E36A	7624023
XC13N030-230	TXV	30000	15	12.5	CH35-30A	SL280UH070V36A	7624026
XC13N030-230	TXV	30000	15	12.5	CH35-30A	SL280UH070XV36A	7624028
XC13N030-230	TXV	29400	13	11.5	CH35-30A		7624019
XC13N030-230	TXV	29800	14.5	12.2	CH35-30B	EL180UH045XE36A	7624025
XC13N030-230	TXV	30000	15.1	12.5	CH35-30B	EL180UH070E36B	7624040
XC13N030-230	TXV	30000	15.1	12.5	CH35-30B	EL180UH070XE36B	7624042
XC13N030-230	TXV	30000	15.1	12.5	CH35-30B	EL180UH090E48B	7624044
XC13N030-230	TXV	30000	15.1	12.5	CH35-30B	EL180UH090XE48B	7624045
XC13N030-230	TXV	30000	15	12.2	CH35-30B	EL195UH045XE36B	7624030
XC13N030-230	TXV	30000	15	12.2	CH35-30B	EL195UH070XE36B	7624031
XC13N030-230	TXV	30000	15	12.2	CH35-30B	EL296UH045XE36B	7624033
XC13N030-230	TXV	29800	15	12.2	CH35-30B	EL296UH045XV36B	7624037
XC13N030-230	TXV	30000	15	12.2	CH35-30B	EL296UH070XE36B	7624035
XC13N030-230	TXV	30000	15.1	12.5	CH35-30B	EL296UH070XV36B	7624038
XC13N030-230	TXV	30000	15.5	12.5	CH35-30B	SL280UH090V36B	7624047
XC13N030-230	TXV	30000	15.1	12.5	CH35-30B	SL280UH090V48B	7624049
XC13N030-230	TXV	30000	15.1	12.5	CH35-30B	SL280UH090XV48B	7624051
XC13N030-230	TXV	30000	15.1	12.5	CH35-30B	SLP98UH070XV36B	7624052
XC13N030-230	TXV	29600	13	11.5	CH35-30B		7624021
XC13N030-230	TXV	29200	14.5	12.2	CH35-36A	EL180UH045E36A	7624060
XC13N030-230	TXV	29200	14.5	12.2	CH35-36A	EL180UH045XE36A	7624061
XC13N030-230	TXV	29200	14.5	12.2	CH35-36A	SL280UH070V36A	7624063
XC13N030-230	TXV	29200	14.5	12.2	CH35-36A	SL280UH070XV36A	7624065
XC13N030-230	TXV	28800	13	11	CH35-36A		7624054
XC13N030-230	TXV	29200	15	12.5	CH35-36B	EL180UH070E36B	7624076
XC13N030-230	TXV	29200	15	12.5	CH35-36B	EL180UH070XE36B	7624078
XC13N030-230	TXV	29400	15	12.5	CH35-36B	EL180UH090E48B	7624079
XC13N030-230	TXV	29400	15	12.5	CH35-36B	EL180UH090XE48B	7624081
XC13N030-230	TXV	29200	14.5	12	CH35-36B	EL195UH045XE36B	7624066
XC13N030-230	TXV	29400	14.5	12	CH35-36B	EL195UH070XE36B	7624068
XC13N030-230	TXV	29200	14.5	12	CH35-36B	EL296UH045XE36B	7624070
XC13N030-230	TXV	29200	14.5	12.2	CH35-36B	EL296UH045XV36B	7624073
XC13N030-230	TXV	29400	14.5	12	CH35-36B	EL296UH070XE36B	7624071
XC13N030-230	TXV	29200	14.5	12.2	CH35-36B	EL296UH070XV36B	7624075
XC13N030-230	TXV	29400	15	12.5	CH35-36B	SL280UH090V36B	7624083
XC13N030-230	TXV	29600	14.5	12.2	CH35-36B	SL280UH090V48B	7624084
XC13N030-230	TXV	29600	14.5	12.2	CH35-36B	SL280UH090XV48B	7624086
XC13N030-230	TXV	29400	14.5	12.2	CH35-36B	SLP98UH070XV36B	7624088
XC13N030-230	TXV	28800	13	11	CH35-36B		7624056
XC13N030-230	TXV	29400	15	12.5	CH35-36C	EL195UH090XE48C	7624089
XC13N030-230	TXV	29400	15	12.5	CH35-36C	EL296UH090XE48C	7624091
XC13N030-230	TXV	29400	15	12.5	CH35-36C	EL296UH090XV36C	7624093
XC13N030-230	TXV	29400	15	12.5	CH35-36C	SLP98UH090XV36C	7624094

NOTES:

TXV = Matched with Thermostatic Expansion Valve.

RFC = Matched with RFC metering device.

AHRI certified to AHRI Standard 210/240 (with 25 ft. of connecting refrigerant lines); 95°F outdoor air temperature, 80°F db / 67°F wb entering evaporator air.

All ratings include the use of a blower time delay relay (TDR). All Lennox variable-speed furnaces and Air Handlers have time delay capabilities. Other Furnaces and Air Handlers may require an optional time delay relay (**58M81**) for field installation. See furnace or air handler specifications to determine if relay is needed.

Also see Expansion Valve Kit Usage Table.

AHRI SYSTEM MATCHES - NORTH REGION

NOTE - For the latest up-to-date system matches please visit the AHRI web site at <http://www.ahridirectory.org>

Model No.	Expansion Device	Capacity	SEER	EER	Coil or Air Handler	Furnace	AHRI Reference
XC13N030-230	TXV	29000	13	11	CH35-36C		7624058
XC13N030-230	TXV	30000	15.5	12.5	CH35-42B	EL180UH070E36B	7624106
XC13N030-230	TXV	30000	15.5	12.5	CH35-42B	EL180UH070XE36B	7624107
XC13N030-230	TXV	30000	15.5	12.5	CH35-42B	EL180UH090E48B	7624109
XC13N030-230	TXV	30000	15.5	12.5	CH35-42B	EL180UH090XE48B	7624110
XC13N030-230	TXV	30000	15.1	12.5	CH35-42B	EL195UH045XE36B	7624096
XC13N030-230	TXV	30000	15.1	12.5	CH35-42B	EL195UH070XE36B	7624097
XC13N030-230	TXV	30000	15.1	12.5	CH35-42B	EL296UH045XE36B	7624102
XC13N030-230	TXV	30000	15.1	12.5	CH35-42B	EL296UH045XV36B	7624099
XC13N030-230	TXV	30000	15.1	12.5	CH35-42B	EL296UH070XE36B	7624104
XC13N030-230	TXV	30000	15.1	12.5	CH35-42B	EL296UH070XV36B	7624101
XC13N030-230	TXV	30000	15.5	13	CH35-42B	SL280UH090V36B	7624112
XC13N030-230	TXV	30000	15.1	12.5	CH35-42B	SL280UH090V48B	7624471
XC13N030-230	TXV	30000	15.1	12.5	CH35-42B	SL280UH090XV48B	7624114
XC13N030-230	TXV	30000	15.1	12.5	CH35-42B	SLP98UH070XV36B	7624115
XC13N030-230	TXV	30000	15.1	12.5	CH35-42C	EL195UH090XE48C	7624119
XC13N030-230	TXV	30000	15.1	12.5	CH35-42C	EL296UH090XE48C	7624120
XC13N030-230	TXV	30000	15.5	12.5	CH35-42C	EL296UH090XV36C	7624122
XC13N030-230	TXV	30000	15.5	12.5	CH35-42C	SLP98UH090XV36C	7624124
XC13N030-230	TXV	29600	13	11.5	CH35-42C		7624473
XC13N030-230	TXV	29600	13	11.5	CH35-48B		7624125
XC13N030-230	TXV	30000	15.1	12.5	CH35-48C	EL296UH090XV36C	7624127
XC13N030-230	TXV	30000	15.1	12.5	CH35-48C	SLP98UH090XV36C	7624129
XC13N030-230	TXV	29800	13	11.5	CH35-48C		7624117
XC13N030-230	TXV	28000	13.5	11.5	CR33-24	EL180DF045E36A	7619884
XC13N030-230	TXV	28200	13.5	11.5	CR33-24	EL180DF070E36B	7620090
XC13N030-230	TXV	27800	13.5	11.5	CR33-24	EL195DF045XE36B	7618325
XC13N030-230	TXV	28000	13.5	11.5	CR33-24	EL195DF070XE48B	7621856
XC13N030-230	TXV	27800	13.5	11.5	CR33-24	EL296DF045XE36B	7619291
XC13N030-230	TXV	28200	14	11.5	CR33-24	EL296DF045XV36B	7618326
XC13N030-230	TXV	28000	13.5	11.5	CR33-24	EL296DF070XE48B	7620855
XC13N030-230	TXV	28200	14	11.5	CR33-24	SL280DF070V36A	7618323
XC13N030-230	TXV	27600	13	11	CR33-24	SL280DF090V48B	7618327
XC13N030-230	TXV	27400	13	10.5	CR33-24		7618449
XC13N030-230	TXV	27400	13	10.5	CR33-24		7618324
XC13N030-230	TXV	29600	14.5	12	CR33-30/36	EL180DF045E36A	7619886
XC13N030-230	TXV	29600	15	12.5	CR33-30/36	EL180DF070E36B	7620092
XC13N030-230	TXV	29400	14.5	12	CR33-30/36	EL180DF090E48B	7620147
XC13N030-230	TXV	29400	14.5	12	CR33-30/36	EL195DF045XE36B	7618330
XC13N030-230	TXV	29600	14.5	12	CR33-30/36	EL195DF070XE48B	7621857
XC13N030-230	TXV	29400	15	12	CR33-30/36	EL195DF090XE48C	7618333
XC13N030-230	TXV	29400	14.5	12	CR33-30/36	EL296DF045XE36B	7619292
XC13N030-230	TXV	29600	14.5	12	CR33-30/36	EL296DF045XV36B	7625416
XC13N030-230	TXV	29600	14.5	12	CR33-30/36	EL296DF070XE48B	7620857
XC13N030-230	TXV	29600	14.5	12	CR33-30/36	EL296DF070XV48B	7625408
XC13N030-230	TXV	29400	15	12	CR33-30/36	EL296DF090XE48C	7619293
XC13N030-230	TXV	29600	14.5	12	CR33-30/36	SL280DF070V36A	7618329
XC13N030-230	TXV	29200	14.5	12.2	CR33-30/36	SL280DF090V48B	7618331
XC13N030-230	TXV	29400	14.5	12	CR33-30/36	SLP98DF070XV36B	7618332

NOTES:

TXV = Matched with Thermostatic Expansion Valve.

RFC = Matched with RFC metering device.

AHRI certified to AHRI Standard 210/240 (with 25 ft. of connecting refrigerant lines); 95°F outdoor air temperature, 80°F db / 67°F wb entering evaporator air.

All ratings include the use of a blower time delay relay (TDR). All Lennox variable-speed furnaces and Air Handlers have time delay capabilities. Other Furnaces and Air Handlers may require an optional time delay relay (**58M81**) for field installation. See furnace or air handler specifications to determine if relay is needed.

Also see Expansion Valve Kit Usage Table.

AHRI SYSTEM MATCHES - NORTH REGION

NOTE - For the latest up-to-date system matches please visit the AHRI web site at <http://www.ahridirectory.org>

Model No.	Expansion Device	Capacity	SEER	EER	Coil or Air Handler	Furnace	AHRI Reference
XC13N030-230	TXV	29600	15	12.5	CR33-30/36	SLP98DF090XV36C	7618334
XC13N030-230	TXV	29000	13.5	11	CR33-30/36		7618450
XC13N030-230	TXV	27800	13.5	11.5	CX35-18/24A	EL180UH045E36A	8269347
XC13N030-230	TXV	27800	13.5	11.5	CX35-18/24A	EL180UH045XE36A	8269348
XC13N030-230	TXV	28000	13.5	11.5	CX35-18/24A	SL280UH070V36A	8269350
XC13N030-230	TXV	28000	13.5	11.5	CX35-18/24A	SL280UH070XV36A	8269351
XC13N030-230	TXV	28000	13.5	11.5	CX35-18/24A	SLP98UH090XV36C	8269349
XC13N030-230	TXV	28200	13.5	11.5	CX35-18/24B	EL180UH070E36B	8269355
XC13N030-230	TXV	28200	13.5	11.5	CX35-18/24B	EL180UH070XE36B	8269353
XC13N030-230	TXV	27800	13.5	11.5	CX35-18/24B	EL180UH090E48B	8269352
XC13N030-230	TXV	27800	13.5	11.5	CX35-18/24B	EL180UH090XE48B	8269354
XC13N030-230	TXV	27800	13.5	11.5	CX35-18/24B	EL195UH045XE36B	8269362
XC13N030-230	TXV	27800	13.5	11.5	CX35-18/24B	EL296UH045XE36B	8269357
XC13N030-230	TXV	28000	13.5	11.5	CX35-18/24B	EL296UH070XE36B	8269356
XC13N030-230	TXV	27800	13.5	11	CX35-18/24B	EL296UH070XV36B	8269358
XC13N030-230	TXV	28200	13.5	11.5	CX35-18/24B	SL280UH090V36B	8269363
XC13N030-230	TXV	28400	13	11	CX35-18/24B	SL280UH090V48B	8269359
XC13N030-230	TXV	28400	13	11	CX35-18/24B	SL280UH090XV48B	8269360
XC13N030-230	TXV	28000	13.5	11.5	CX35-18/24B	SLP98UH070XV36B	8269361
XC13N030-230	TXV	29200	14.5	12	CX35-24A	EL180UH045E36A	8269365
XC13N030-230	TXV	29200	14.5	12	CX35-24A	EL180UH045XE36A	8269366
XC13N030-230	TXV	29400	14.5	12	CX35-24A	SL280UH070V36A	8269367
XC13N030-230	TXV	29400	14.5	12	CX35-24A	SL280UH070XV36A	8269368
XC13N030-230	TXV	28800	13.5	11	CX35-24A		8269364
XC13N030-230	TXV	29200	14.5	12	CX35-24B	EL195UH045XE36B	8269378
XC13N030-230	TXV	29400	14.5	12	CX35-24B	EL195UH070XE36B	8269372
XC13N030-230	TXV	29200	14.5	12	CX35-24B	EL296UH045XE36B	8269369
XC13N030-230	TXV	29200	14.5	12	CX35-24B	EL296UH045XV36B	8269373
XC13N030-230	TXV	29400	14.5	12	CX35-24B	EL296UH070XE36B	8269370
XC13N030-230	TXV	29200	14.5	12	CX35-24B	EL296UH070XV36B	8269374
XC13N030-230	TXV	29400	14.5	12	CX35-24B	SL280UH090V36B	8269375
XC13N030-230	TXV	29600	14.5	12	CX35-24B	SL280UH090V48B	8269376
XC13N030-230	TXV	29600	14.5	12	CX35-24B	SL280UH090XV48B	8269377
XC13N030-230	TXV	29200	14.5	12	CX35-24B	SLP98UH070XV36B	8269371
XC13N030-230	TXV	29200	14.5	12	CX35-30/36A	EL180UH045E36A	8269398
XC13N030-230	TXV	29200	14.5	12	CX35-30/36A	EL180UH045XE36A	8269399
XC13N030-230	TXV	29000	14.5	12	CX35-30/36A	EL195UH090XE48C	8269403
XC13N030-230	TXV	29000	14.5	12	CX35-30/36A	EL296UH090XE48C	8269400
XC13N030-230	TXV	29200	15	12.5	CX35-30/36A	EL296UH090XV36C	8269401
XC13N030-230	TXV	29200	14.5	12	CX35-30/36A	SL280UH070V36A	8269404
XC13N030-230	TXV	29200	14.5	12	CX35-30/36A	SL280UH070XV36A	8269405
XC13N030-230	TXV	29200	15	12.5	CX35-30/36A	SLP98UH090XV36C	8269402
XC13N030-230	TXV	28600	13	11	CX35-30/36A		8269397
XC13N030-230	TXV	29200	15	12.5	CX35-30/36B	EL180UH070E36B	8269409
XC13N030-230	TXV	29200	15	12.5	CX35-30/36B	EL180UH070XE36B	8269407
XC13N030-230	TXV	29400	15	12.5	CX35-30/36B	EL180UH090E48B	8269406
XC13N030-230	TXV	29400	15	12.5	CX35-30/36B	EL180UH090XE48B	8269408
XC13N030-230	TXV	29200	14.5	12	CX35-30/36B	EL195UH045XE36B	8269416
XC13N030-230	TXV	29400	14.5	12	CX35-30/36B	EL195UH070XE36B	8269417

NOTES:

TXV = Matched with Thermostatic Expansion Valve.

RFC = Matched with RFC metering device.

AHRI certified to AHRI Standard 210/240 (with 25 ft. of connecting refrigerant lines); 95°F outdoor air temperature, 80°F db / 67°F wb entering evaporator air.

All ratings include the use of a blower time delay relay (TDR). All Lennox variable-speed furnaces and Air Handlers have time delay capabilities. Other Furnaces and Air Handlers may require an optional time delay relay (**58M81**) for field installation. See furnace or air handler specifications to determine if relay is needed.

Also see Expansion Valve Kit Usage Table.

AHRI SYSTEM MATCHES - NORTH REGION

NOTE - For the latest up-to-date system matches please visit the AHRI web site at <http://www.ahridirectory.org>

Model No.	Expansion Device	Capacity	SEER	EER	Coil or Air Handler	Furnace	AHRI Reference
XC13N030-230	TXV	29200	14.5	12	CX35-30/36B	EL296UH045XE36B	8269410
XC13N030-230	TXV	29000	14.5	12	CX35-30/36B	EL296UH045XV36B	8269418
XC13N030-230	TXV	29400	14.5	12	CX35-30/36B	EL296UH070XE36B	8269411
XC13N030-230	TXV	29000	14.5	12	CX35-30/36B	EL296UH070XV36B	8269419
XC13N030-230	TXV	29400	15	12.5	CX35-30/36B	SL280UH090V36B	8269412
XC13N030-230	TXV	29600	14.5	12.2	CX35-30/36B	SL280UH090V48B	8269413
XC13N030-230	TXV	29600	14.5	12.2	CX35-30/36B	SL280UH090XV48B	8269414
XC13N030-230	TXV	29200	14.5	12	CX35-30/36B	SLP98UH070XV36B	8269415
XC13N030-230	TXV	29800	14.5	12	CX35-30A	EL180UH045E36A	8269380
XC13N030-230	TXV	29800	14.5	12	CX35-30A	EL180UH045XE36A	8269381
XC13N030-230	TXV	29800	15	12.5	CX35-30A	SL280UH070XV36A	8269382
XC13N030-230	TXV	29200	13.5	11	CX35-30A		8269379
XC13N030-230	TXV	29800	15	12.5	CX35-30B	EL180UH070E36B	8269386
XC13N030-230	TXV	29800	15	12.5	CX35-30B	EL180UH070XE36B	8269384
XC13N030-230	TXV	29800	15	12.5	CX35-30B	EL180UH090E48B	8269383
XC13N030-230	TXV	29800	15	12.5	CX35-30B	EL180UH090XE48B	8269385
XC13N030-230	TXV	29800	14.5	12	CX35-30B	EL195UH045XE36B	8269395
XC13N030-230	TXV	30000	14.5	12	CX35-30B	EL195UH070XE36B	8269396
XC13N030-230	TXV	29800	14.5	12	CX35-30B	EL296UH045XE36B	8269387
XC13N030-230	TXV	29600	14.5	12	CX35-30B	EL296UH045XV36B	8269389
XC13N030-230	TXV	30000	14.5	12	CX35-30B	EL296UH070XE36B	8269388
XC13N030-230	TXV	29800	15	12.5	CX35-30B	EL296UH070XV36B	8269390
XC13N030-230	TXV	30000	15	12.5	CX35-30B	SL280UH090V36B	8269391
XC13N030-230	TXV	30000	15	12.5	CX35-30B	SL280UH090V48B	8269392
XC13N030-230	TXV	30000	15	12.5	CX35-30B	SL280UH090XV48B	8269393
XC13N030-230	TXV	29800	15	12.5	CX35-30B	SLP98UH070XV36B	8269394
XC13N030-230	TXV	29200	13.5	11	CX35-30B		9122511
XC13N030-230	TXV	30000	15	12.5	CX35-36A	EL180UH045E36A	8269421
XC13N030-230	TXV	30000	15	12.5	CX35-36A	EL180UH045XE36A	8269422
XC13N030-230	TXV	30000	15	12.5	CX35-36A	SL280UH070V36A	8269423
XC13N030-230	TXV	30000	15	12.5	CX35-36A	SL280UH070XV36A	8269424
XC13N030-230	TXV	29400	13.5	11.5	CX35-36A		8269420
XC13N030-230	TXV	30000	15	12.5	CX35-36B	EL180UH070E36B	8269428
XC13N030-230	TXV	30000	15	12.5	CX35-36B	EL180UH070XE36B	8269426
XC13N030-230	TXV	30200	15.5	12.5	CX35-36B	EL180UH090E48B	8269425
XC13N030-230	TXV	30200	15.5	12.5	CX35-36B	EL180UH090XE48B	8269427
XC13N030-230	TXV	30000	15	12	CX35-36B	EL195UH045XE36B	8269436
XC13N030-230	TXV	30200	15	12	CX35-36B	EL195UH070XE36B	8269437
XC13N030-230	TXV	30000	15	12	CX35-36B	EL296UH045XE36B	8269430
XC13N030-230	TXV	29800	15	12	CX35-36B	EL296UH045XV36B	8269438
XC13N030-230	TXV	30200	15	12	CX35-36B	EL296UH070XE36B	8269429
XC13N030-230	TXV	29800	15	12.5	CX35-36B	EL296UH070XV36B	8269431
XC13N030-230	TXV	30200	15.5	12.5	CX35-36B	SL280UH090V36B	8269432
XC13N030-230	TXV	30200	15	12.5	CX35-36B	SL280UH090V48B	8269433
XC13N030-230	TXV	30200	15	12.5	CX35-36B	SL280UH090XV48B	8269434
XC13N030-230	TXV	30000	15	12.5	CX35-36B	SLP98UH070XV36B	8269435
XC13N030-230	TXV	30200	15.5	12.5	CX35-48B	EL180UH070E36B	8269447
XC13N030-230	TXV	30200	15.5	12.5	CX35-48B	EL180UH070XE36B	8269445
XC13N030-230	TXV	30400	15.5	12.5	CX35-48B	EL180UH090E48B	8269444

NOTES:

TXV = Matched with Thermostatic Expansion Valve.

RFC = Matched with RFC metering device.

AHRI certified to AHRI Standard 210/240 (with 25 ft. of connecting refrigerant lines); 95°F outdoor air temperature, 80°F db / 67°F wb entering evaporator air.

All ratings include the use of a blower time delay relay (TDR). All Lennox variable-speed furnaces and Air Handlers have time delay capabilities. Other Furnaces and Air Handlers may require an optional time delay relay (**58M81**) for field installation. See furnace or air handler specifications to determine if relay is needed.

Also see Expansion Valve Kit Usage Table.

AHRI SYSTEM MATCHES - NORTH REGION

NOTE - For the latest up-to-date system matches please visit the AHRI web site at <http://www.ahridirectory.org>

Model No.	Expansion Device	Capacity	SEER	EER	Coil or Air Handler	Furnace	AHRI Reference
XC13N030-230	TXV	30400	15.5	12.5	CX35-48B	EL180UH090XE48B	8269446
XC13N030-230	TXV	30200	15	12.5	CX35-48B	EL195UH045XE36B	8269453
XC13N030-230	TXV	30400	15	12.5	CX35-48B	EL195UH070XE36B	8269454
XC13N030-230	TXV	30200	15	12.5	CX35-48B	EL296UH045XE36B	8269448
XC13N030-230	TXV	30000	15	12.5	CX35-48B	EL296UH045XV36B	8269455
XC13N030-230	TXV	30400	15	12.5	CX35-48B	EL296UH070XE36B	8269449
XC13N030-230	TXV	30000	15	12.5	CX35-48B	EL296UH070XV36B	8269456
XC13N030-230	TXV	30200	15.5	12.5	CX35-48B	SL280UH090V36B	8269457
XC13N030-230	TXV	30400	15	12.5	CX35-48B	SL280UH090V48B	8269450
XC13N030-230	TXV	30400	15	12.5	CX35-48B	SL280UH090XV48B	8269451
XC13N030-230	TXV	30200	15	12.5	CX35-48B	SLP98UH070XV36B	8269452
XC13N030-230	TXV	29600	13.5	11.5	CX35-48B		8269439
XC13N030-230	TXV	30200	15.5	12.5	CX35-48C	EL195UH090XE48C	8269441
XC13N030-230	TXV	30200	15.5	12.5	CX35-48C	EL296UH090XE48C	8269440
XC13N030-230	TXV	30200	15.5	12.5	CX35-48C	EL296UH090XV36C	8269443
XC13N030-230	TXV	30200	15.5	12.5	CX35-48C	SLP98UH090XV36C	8269442
XC13N030-230	TXV	28200	13	11	CX38-30C		10558164
XC13N036-230	RFC	33600	13	10.3	C35-36A		8736601
XC13N036-230	RFC	33600	13	10.3	C35-36B		8629858
XC13N036-230	RFC	33600	13	10.3	C35-48B		8629860
XC13N036-230	RFC	33600	13	10.3	C35-48C		8736602
XC13N036-230	RFC	33600	13	10.3	C35-50/60C		8629862
XC13N036-230	RFC	35800	13	11	CH33-43		7619615
XC13N036-230	RFC	35000	13	10.5	CH33-44/48B		7619635
XC13N036-230	RFC	35000	13	10.5	CR33-50/60		7619659
XC13N036-230	TXV	35200	13	11	C35-30A	EL180UH045E36A	8268800
XC13N036-230	TXV	35200	13	11	C35-30A	EL180UH045XE36A	8268801
XC13N036-230	TXV	35000	13	11	C35-30A	SL280UH070V36A	8268802
XC13N036-230	TXV	35000	13	11	C35-30A	SL280UH070XV36A	8268803
XC13N036-230	TXV	35000	14	11	C35-30B	EL180UH070E36B	8268805
XC13N036-230	TXV	35000	14	11	C35-30B	EL180UH070XE36B	8268807
XC13N036-230	TXV	35200	14	11	C35-30B	EL180UH090E48B	8268806
XC13N036-230	TXV	35200	14	11	C35-30B	EL180UH090XE48B	8268808
XC13N036-230	TXV	35000	13	11	C35-30B	EL195UH045XE36B	8268812
XC13N036-230	TXV	34800	13	11	C35-30B	EL195UH070XE36B	8268813
XC13N036-230	TXV	34800	13	11	C35-30B	EL296UH045XV36B	8268814
XC13N036-230	TXV	35000	13	11	C35-30B	EL296UH070XV36B	8268815
XC13N036-230	TXV	35200	14	11	C35-30B	SL280UH090V36B	8268811
XC13N036-230	TXV	32800	13	11	C35-30B	SL280UH090V48B	8268810
XC13N036-230	TXV	32800	13	11	C35-30B	SL280UH090XV48B	8268804
XC13N036-230	TXV	35000	13	11	C35-30B	SLP98UH070XV36B	8268809
XC13N036-230	TXV	35600	14	11	C35-36A	EL180UH045E36A	8268819
XC13N036-230	TXV	35600	14	11	C35-36A	EL180UH045XE36A	8268820
XC13N036-230	TXV	35200	14	11	C35-36A	SL280UH070V36A	8268817
XC13N036-230	TXV	35200	14	11	C35-36A	SL280UH070XV36A	8268818
XC13N036-230	TXV	35000	13	10.5	C35-36A		8268816
XC13N036-230	TXV	35600	14.5	12	C35-36B	EL180UH070E36B	8268825
XC13N036-230	TXV	35600	14.5	12	C35-36B	EL180UH070XE36B	8268827
XC13N036-230	TXV	35800	14	11	C35-36B	EL180UH090E48B	8268826

NOTES:

TXV = Matched with Thermostatic Expansion Valve.

RFC = Matched with RFC metering device.

AHRI certified to AHRI Standard 210/240 (with 25 ft. of connecting refrigerant lines); 95°F outdoor air temperature, 80°F db / 67°F wb entering evaporator air.

All ratings include the use of a blower time delay relay (TDR). All Lennox variable-speed furnaces and Air Handlers have time delay capabilities. Other Furnaces and Air Handlers may require an optional time delay relay (**58M81**) for field installation. See furnace or air handler specifications to determine if relay is needed.

Also see Expansion Valve Kit Usage Table.

AHRI SYSTEM MATCHES - NORTH REGION

NOTE - For the latest up-to-date system matches please visit the AHRI web site at <http://www.ahridirectory.org>

Model No.	Expansion Device	Capacity	SEER	EER	Coil or Air Handler	Furnace	AHRI Reference
XC13N036-230	TXV	35800	14	11	C35-36B	EL180UH090XE48B	8268828
XC13N036-230	TXV	35400	14	11	C35-36B	EL195UH070XE36B	8268823
XC13N036-230	TXV	35200	14	11	C35-36B	EL296UH045XV36B	8268824
XC13N036-230	TXV	35400	14	11	C35-36B	EL296UH070XV36B	8268829
XC13N036-230	TXV	35600	14	11	C35-36B	SL280UH090V36B	8268830
XC13N036-230	TXV	33200	13	11	C35-36B	SL280UH090V48B	8268831
XC13N036-230	TXV	33200	13	11	C35-36B	SL280UH090XV48B	8268832
XC13N036-230	TXV	35000	13	11	C35-36B	SLP98UH070XV36B	8268822
XC13N036-230	TXV	35000	13	10.5	C35-36B		8268821
XC13N036-230	TXV	35800	14.5	12	C35-48B	EL180UH070E36B	8269145
XC13N036-230	TXV	35800	14.5	12	C35-48B	EL180UH070XE36B	8269147
XC13N036-230	TXV	36000	14	11	C35-48B	EL180UH090E48B	8269146
XC13N036-230	TXV	36000	14	11	C35-48B	EL180UH090XE48B	8269148
XC13N036-230	TXV	35600	14	11	C35-48B	EL195UH070XE36B	8269154
XC13N036-230	TXV	35600	14	11	C35-48B	EL296UH070XE36B	8269152
XC13N036-230	TXV	35600	14	11	C35-48B	EL296UH070XV36B	8269155
XC13N036-230	TXV	35800	14.5	12	C35-48B	SL280UH090V36B	8269149
XC13N036-230	TXV	33400	13.5	11	C35-48B	SL280UH090V48B	8269150
XC13N036-230	TXV	33400	13.5	11	C35-48B	SL280UH090XV48B	8269151
XC13N036-230	TXV	35600	14	11	C35-48B	SLP98UH070XV36B	8269153
XC13N036-230	TXV	36000	14.5	12	C35-48C	EL180UH090E60C	8269129
XC13N036-230	TXV	35800	14.5	12	C35-48C	EL180UH110E60C	8269131
XC13N036-230	TXV	35800	14.5	12	C35-48C	EL180UH110XE60C	8269130
XC13N036-230	TXV	35800	14	11	C35-48C	EL195UH090XE48C	8269140
XC13N036-230	TXV	36000	14	11	C35-48C	EL195UH110XE60C	8269141
XC13N036-230	TXV	35800	14	11	C35-48C	EL296UH090XE48C	8269132
XC13N036-230	TXV	35800	14	11	C35-48C	EL296UH090XV36C	8269142
XC13N036-230	TXV	35800	14	11	C35-48C	EL296UH090XV48C	8269143
XC13N036-230	TXV	36000	14	11	C35-48C	EL296UH110XE60C	8269133
XC13N036-230	TXV	33800	13.2	11	C35-48C	SL280UH090V60C	8269144
XC13N036-230	TXV	33800	13.5	11	C35-48C	SL280UH090XV60C	8269135
XC13N036-230	TXV	33600	13	11	C35-48C	SL280UH110V60C	8269134
XC13N036-230	TXV	33600	13	11	C35-48C	SL280UH110XV60C	8269136
XC13N036-230	TXV	35800	14	11	C35-48C	SLP98UH090XV36C	8269137
XC13N036-230	TXV	35800	14	11	C35-48C	SLP98UH090XV48C	8269138
XC13N036-230	TXV	36200	14.5	12	C35-48C	SLP98UH110XV60C	8269139
XC13N036-230	TXV	35400	13	11	C35-48C		8269128
XC13N036-230	TXV	36000	14.5	12	C35-50/60C	EL180UH090E60C	8269157
XC13N036-230	TXV	35600	14	11	C35-50/60C	EL180UH110E60C	8269159
XC13N036-230	TXV	35600	14	11	C35-50/60C	EL180UH110XE60C	8269158
XC13N036-230	TXV	35800	14	11	C35-50/60C	EL195UH090XE48C	8269169
XC13N036-230	TXV	36000	14	11	C35-50/60C	EL195UH110XE60C	8269170
XC13N036-230	TXV	35800	14	11	C35-50/60C	EL296UH090XE48C	8269160
XC13N036-230	TXV	35800	14	11	C35-50/60C	EL296UH090XV36C	8269171
XC13N036-230	TXV	35600	14	11	C35-50/60C	EL296UH090XV48C	8269172
XC13N036-230	TXV	36000	14	11	C35-50/60C	EL296UH110XE60C	8269161
XC13N036-230	TXV	33600	13.2	11	C35-50/60C	SL280UH090V60C	8269163
XC13N036-230	TXV	33600	13.2	11	C35-50/60C	SL280UH090XV60C	8269165
XC13N036-230	TXV	33400	13	11	C35-50/60C	SL280UH110V60C	8269164

NOTES:

TXV = Matched with Thermostatic Expansion Valve.

RFC = Matched with RFC metering device.

AHRI certified to AHRI Standard 210/240 (with 25 ft. of connecting refrigerant lines); 95°F outdoor air temperature, 80°F db / 67°F wb entering evaporator air.

All ratings include the use of a blower time delay relay (TDR). All Lennox variable-speed furnaces and Air Handlers have time delay capabilities. Other Furnaces and Air Handlers may require an optional time delay relay (**58M81**) for field installation. See furnace or air handler specifications to determine if relay is needed.

Also see Expansion Valve Kit Usage Table.

AHRI SYSTEM MATCHES - NORTH REGION

NOTE - For the latest up-to-date system matches please visit the AHRI web site at <http://www.ahridirectory.org>

Model No.	Expansion Device	Capacity	SEER	EER	Coil or Air Handler	Furnace	AHRI Reference
XC13N036-230	TXV	33400	13	11	C35-50/60C	SL280UH110XV60C	8269166
XC13N036-230	TXV	35800	14	11	C35-50/60C	SLP98UH090XV36C	8269167
XC13N036-230	TXV	35600	14	11	C35-50/60C	SLP98UH090XV48C	8269168
XC13N036-230	TXV	36000	14	11	C35-50/60C	SLP98UH110XV60C	8269162
XC13N036-230	TXV	35200	13	11	C35-50/60C		8269156
XC13N036-230	TXV	35200	13	11	CBA27UHE-036		10259488
XC13N036-230	TXV	36000	14.25	12	CBA27UHE-042		10259489
XC13N036-230	TXV	35200	13	11	CBX25UH-042		7619785
XC13N036-230	TXV	35000	13	11	CBX25UHV-036		7622681
XC13N036-230	TXV	36000	14.5	12.2	CBX25UHV-042		7622683
XC13N036-230	TXV	35000	13	11	CBX27UH-036		7619603
XC13N036-230	TXV	36000	14.5	12	CBX27UH-042		7619604
XC13N036-230	TXV	34000	13	11	CBX32M-030		7619605
XC13N036-230	TXV	34400	13	11	CBX32M-036		7619606
XC13N036-230	TXV	34400	13	11	CBX32M-042		7619607
XC13N036-230	TXV	35400	13	11	CBX32M-048		7619608
XC13N036-230	TXV	34600	13	11	CBX32MV-036		7619609
XC13N036-230	TXV	36000	14.5	12	CBX32MV-048		7619610
XC13N036-230	TXV	34800	13	11	CBX40UHV-036		7619611
XC13N036-230	TXV	35600	13	11	CBX40UHV-042		7619612
XC13N036-230	TXV	35800	14	11	CBX40UHV-048		7619613
XC13N036-230	TXV	34800	14	11	CH23-41	EL180UH070E36B	7620728
XC13N036-230	TXV	35200	13	11	CH23-41	EL180UH090E48B	7620655
XC13N036-230	TXV	34800	14	11	CH23-51	EL180UH070E36B	7620273
XC13N036-230	TXV	35200	14	11	CH23-51	EL180UH090E48B	7620868
XC13N036-230	TXV	34800	13	11	CH23-51	EL296UH045XV36B	7619614
XC13N036-230	TXV	35800	13	11	CH33-43		7619713
XC13N036-230	TXV	36000	14.5	12	CH33-43B	EL180UH070E36B	7620274
XC13N036-230	TXV	36000	14.5	12	CH33-43B	EL180UH070XE36B	7620514
XC13N036-230	TXV	36200	14.5	12	CH33-43B	EL180UH090E48B	7620657
XC13N036-230	TXV	36200	14.5	12	CH33-43B	EL180UH090XE48B	7620135
XC13N036-230	TXV	36000	14	11	CH33-43B	EL195UH070XE36B	7619616
XC13N036-230	TXV	36000	14	11	CH33-43B	EL296UH070XE36B	7619721
XC13N036-230	TXV	36000	14	11	CH33-43B	EL296UH070XV36B	7619618
XC13N036-230	TXV	36000	14.5	12	CH33-43B	SL280UH090V36B	7619619
XC13N036-230	TXV	33800	13.5	11	CH33-43B	SL280UH090V48B	7619620
XC13N036-230	TXV	33800	13.5	11	CH33-43B	SL280UH090XV48B	7619621
XC13N036-230	TXV	36000	14	11	CH33-43B	SLP98UH070XV36B	7619622
XC13N036-230	TXV	36200	14.5	12	CH33-43C	EL180UH090E60C	7620811
XC13N036-230	TXV	35800	14.5	12	CH33-43C	EL180UH110E60C	7620465
XC13N036-230	TXV	35800	14.5	12	CH33-43C	EL180UH110XE60C	7620699
XC13N036-230	TXV	36000	14	11	CH33-43C	EL195UH090XE48C	7619623
XC13N036-230	TXV	36200	14.5	12	CH33-43C	EL195UH110XE60C	7619624
XC13N036-230	TXV	36000	14	11	CH33-43C	EL296UH090XE48C	7619722
XC13N036-230	TXV	36000	14	11	CH33-43C	EL296UH090XV36C	7619625
XC13N036-230	TXV	35800	14.5	12	CH33-43C	EL296UH090XV48C	7619626
XC13N036-230	TXV	36200	14.5	12	CH33-43C	EL296UH110XE60C	7619723
XC13N036-230	TXV	33800	13.2	11	CH33-43C	SL280UH090V60C	7619627
XC13N036-230	TXV	33800	13.2	11	CH33-43C	SL280UH090XV60C	7619629

NOTES:

TXV = Matched with Thermostatic Expansion Valve.

RFC = Matched with RFC metering device.

AHRI certified to AHRI Standard 210/240 (with 25 ft. of connecting refrigerant lines); 95°F outdoor air temperature, 80°F db / 67°F wb entering evaporator air.

All ratings include the use of a blower time delay relay (TDR). All Lennox variable-speed furnaces and Air Handlers have time delay capabilities. Other Furnaces and Air Handlers may require an optional time delay relay (**58M81**) for field installation. See furnace or air handler specifications to determine if relay is needed.

Also see Expansion Valve Kit Usage Table.

AHRI SYSTEM MATCHES - NORTH REGION

NOTE - For the latest up-to-date system matches please visit the AHRI web site at <http://www.ahridirectory.org>

Model No.	Expansion Device	Capacity	SEER	EER	Coil or Air Handler	Furnace	AHRI Reference
XC13N036-230	TXV	33600	13	11	CH33-43C	SL280UH110V60C	7619628
XC13N036-230	TXV	33600	13	11	CH33-43C	SL280UH110XV60C	7619630
XC13N036-230	TXV	36000	14	11	CH33-43C	SLP98UH090XV36C	7619631
XC13N036-230	TXV	35800	14.5	12	CH33-43C	SLP98UH090XV48C	7619633
XC13N036-230	TXV	36200	14.5	12	CH33-43C	SLP98UH110XV60C	7619634
XC13N036-230	TXV	35000	13	10.5	CH33-44/48		7619714
XC13N036-230	TXV	35400	14	11	CH33-44/48B	EL180UH070E36B	7620275
XC13N036-230	TXV	35400	14	11	CH33-44/48B	EL180UH070XE36B	7620515
XC13N036-230	TXV	35400	14	11	CH33-44/48B	EL180UH090E48B	7620522
XC13N036-230	TXV	35400	14	11	CH33-44/48B	EL180UH090XE48B	7620137
XC13N036-230	TXV	35600	14	11	CH33-44/48B	SL280UH090V36B	7619636
XC13N036-230	TXV	33200	13	11	CH33-44/48B	SL280UH090V48B	7619637
XC13N036-230	TXV	33200	13	11	CH33-44/48B	SL280UH090XV48B	7619638
XC13N036-230	TXV	36000	14.5	12	CH33-48	EL180UH090E60C	7620812
XC13N036-230	TXV	35800	14.5	12	CH33-48	EL180UH110E60C	7620466
XC13N036-230	TXV	35800	14.5	12	CH33-48	EL180UH110XE60C	7620701
XC13N036-230	TXV	35800	14	11	CH33-48	EL296UH090XV36C	7619641
XC13N036-230	TXV	35600	14	11	CH33-48	EL296UH090XV48C	7619642
XC13N036-230	TXV	33600	13.2	11	CH33-48	SL280UH090V60C	7619643
XC13N036-230	TXV	33600	13.2	11	CH33-48	SL280UH090XV60C	7619655
XC13N036-230	TXV	33400	13	11	CH33-48	SL280UH110V60C	7619644
XC13N036-230	TXV	33400	13	11	CH33-48	SL280UH110XV60C	7619645
XC13N036-230	TXV	35800	14	11	CH33-48	SLP98UH090XV36C	7619646
XC13N036-230	TXV	35600	14	11	CH33-48	SLP98UH090XV48C	7619647
XC13N036-230	TXV	36000	14	11	CH33-48	SLP98UH110XV60C	7619648
XC13N036-230	TXV	35800	14	11	CH33-48C	EL195UH090XE48C	7619639
XC13N036-230	TXV	36000	14	11	CH33-48C	EL195UH110XE60C	7619640
XC13N036-230	TXV	33800	13	11	CH33-48C	SL280UH110XV60C	7619736
XC13N036-230	TXV	36200	14	11	CH33-48C	SLP98UH090XV36C	7619737
XC13N036-230	TXV	36000	14.5	12	CH33-48C	SLP98UH090XV48C	7619738
XC13N036-230	TXV	36400	14.5	12	CH33-48C	SLP98UH110XV60C	7619739
XC13N036-230	TXV	36400	14.5	12	CH33-50/60C	EL180UH090E60C	7620813
XC13N036-230	TXV	36000	14.5	12	CH33-50/60C	EL180UH110E60C	7620467
XC13N036-230	TXV	36000	14.5	12	CH33-50/60C	EL180UH110XE60C	7620702
XC13N036-230	TXV	36200	14	11	CH33-50/60C	EL195UH090XE48C	7619649
XC13N036-230	TXV	36400	14.5	12	CH33-50/60C	EL195UH110XE60C	7619650
XC13N036-230	TXV	36200	14	12	CH33-50/60C	EL296UH090XV36C	7619651
XC13N036-230	TXV	36000	14.5	12	CH33-50/60C	EL296UH090XV48C	7619652
XC13N036-230	TXV	34000	13.2	11	CH33-50/60C	SL280UH090V60C	7619653
XC13N036-230	TXV	33800	13	11	CH33-50/60C	SL280UH110V60C	7619654
XC13N036-230	TXV	35600	13	11	CH33-50/60C		7619715
XC13N036-230	TXV	35600	13	11	CH33-50/60C		7619740
XC13N036-230	TXV	36000	14.5	12	CH35-42B	EL180UH070E36B	7623856
XC13N036-230	TXV	36000	14.5	12	CH35-42B	EL180UH070XE36B	7623857
XC13N036-230	TXV	36000	14.5	12	CH35-42B	EL180UH090E48B	7623859
XC13N036-230	TXV	36000	14.5	12	CH35-42B	EL180UH090XE48B	7623860
XC13N036-230	TXV	36000	13	11	CH35-42B	EL195UH045XE36B	7623846
XC13N036-230	TXV	36000	14	11.5	CH35-42B	EL195UH070XE36B	7623848
XC13N036-230	TXV	36000	13	11	CH35-42B	EL296UH045XE36B	7623851

NOTES:

TXV = Matched with Thermostatic Expansion Valve.

RFC = Matched with RFC metering device.

AHRI certified to AHRI Standard 210/240 (with 25 ft. of connecting refrigerant lines); 95°F outdoor air temperature, 80°F db / 67°F wb entering evaporator air.

All ratings include the use of a blower time delay relay (TDR). All Lennox variable-speed furnaces and Air Handlers have time delay capabilities. Other Furnaces and Air Handlers may require an optional time delay relay (**58M81**) for field installation. See furnace or air handler specifications to determine if relay is needed.

Also see Expansion Valve Kit Usage Table.

AHRI SYSTEM MATCHES - NORTH REGION

NOTE - For the latest up-to-date system matches please visit the AHRI web site at <http://www.ahridirectory.org>

Model No.	Expansion Device	Capacity	SEER	EER	Coil or Air Handler	Furnace	AHRI Reference
XC13N036-230	TXV	35800	14	11.5	CH35-42B	EL296UH045XV36B	7623849
XC13N036-230	TXV	36000	14	11.5	CH35-42B	EL296UH070XE36B	7623854
XC13N036-230	TXV	36000	14	11.5	CH35-42B	EL296UH070XV36B	7623852
XC13N036-230	TXV	36000	14.5	12	CH35-42B	SL280UH090V36B	7623862
XC13N036-230	TXV	33400	13.5	11	CH35-42B	SL280UH090V48B	7623864
XC13N036-230	TXV	33400	13.5	11	CH35-42B	SL280UH090XV48B	7623865
XC13N036-230	TXV	36000	14.25	11.5	CH35-42B	SLP98UH070XV36B	7623867
XC13N036-230	TXV	36000	13	11	CH35-42B		7623844
XC13N036-230	TXV	36000	14.5	12	CH35-42C	EL180UH090E60C	7623878
XC13N036-230	TXV	36000	14.5	12	CH35-42C	EL180UH110E60C	7623880
XC13N036-230	TXV	36000	14.5	12	CH35-42C	EL180UH110XE60C	7623882
XC13N036-230	TXV	36000	14.25	11.5	CH35-42C	EL195UH090XE48C	7623869
XC13N036-230	TXV	36000	14.5	12	CH35-42C	EL195UH110XE60C	7623870
XC13N036-230	TXV	36000	14.25	11.5	CH35-42C	EL296UH090XE48C	7623875
XC13N036-230	TXV	36000	14.25	11.5	CH35-42C	EL296UH090XV36C	7623872
XC13N036-230	TXV	35800	14.5	11.5	CH35-42C	EL296UH090XV48C	7623873
XC13N036-230	TXV	36000	14.5	12	CH35-42C	EL296UH110XE60C	7623877
XC13N036-230	TXV	33400	13.2	11	CH35-42C	SL280UH090V60C	7623883
XC13N036-230	TXV	33400	13.2	11	CH35-42C	SL280UH090XV60C	7623885
XC13N036-230	TXV	33400	13	11	CH35-42C	SL280UH110V60C	7623887
XC13N036-230	TXV	33400	13	11	CH35-42C	SL280UH110XV60C	7623888
XC13N036-230	TXV	36000	14.25	11.5	CH35-42C	SLP98UH090XV36C	7623890
XC13N036-230	TXV	35800	14.5	11.5	CH35-42C	SLP98UH090XV48C	7623891
XC13N036-230	TXV	36000	14.5	12	CH35-42C	SLP98UH110XV60C	7623893
XC13N036-230	TXV	35600	14.25	11.5	CH35-48B	EL180UH070E36B	7623906
XC13N036-230	TXV	35600	14.25	11.5	CH35-48B	EL180UH070XE36B	7623908
XC13N036-230	TXV	35600	14	11.5	CH35-48B	EL180UH090E48B	7623909
XC13N036-230	TXV	35600	14	11.5	CH35-48B	EL180UH090XE48B	7623911
XC13N036-230	TXV	35400	13	11	CH35-48B	EL195UH045XE36B	7623896
XC13N036-230	TXV	35400	13	11.5	CH35-48B	EL195UH070XE36B	7623900
XC13N036-230	TXV	35400	13	11	CH35-48B	EL296UH045XE36B	7623898
XC13N036-230	TXV	35400	13	11.5	CH35-48B	EL296UH045XV36B	7623903
XC13N036-230	TXV	35400	13	11.5	CH35-48B	EL296UH070XE36B	7623901
XC13N036-230	TXV	35400	13	11.5	CH35-48B	EL296UH070XV36B	7623905
XC13N036-230	TXV	35800	14.25	12	CH35-48B	SL280UH090V36B	7623913
XC13N036-230	TXV	33200	13	11	CH35-48B	SL280UH090V48B	7623914
XC13N036-230	TXV	33200	13	11	CH35-48B	SL280UH090XV48B	7623916
XC13N036-230	TXV	35400	13	11.5	CH35-48B	SLP98UH070XV36B	7623918
XC13N036-230	TXV	35200	13	11	CH35-48B		7623895
XC13N036-230	TXV	36000	14.5	12	CH35-48C	EL180UH090E60C	7623931
XC13N036-230	TXV	35800	14.5	12	CH35-48C	EL180UH110E60C	7623932
XC13N036-230	TXV	35800	14.5	12	CH35-48C	EL180UH110XE60C	7623934
XC13N036-230	TXV	35800	14.25	11.5	CH35-48C	EL195UH090XE48C	7623921
XC13N036-230	TXV	36000	14.25	12	CH35-48C	EL195UH110XE60C	7623923
XC13N036-230	TXV	35800	14.25	11.5	CH35-48C	EL296UH090XE48C	7623928
XC13N036-230	TXV	36000	14.25	11.5	CH35-48C	EL296UH090XV36C	7623924
XC13N036-230	TXV	35800	14.25	12	CH35-48C	EL296UH090XV48C	7623926
XC13N036-230	TXV	36000	14.25	12	CH35-48C	EL296UH110XE60C	7623929
XC13N036-230	TXV	33400	13.5	11	CH35-48C	SL280UH090V60C	7623936

NOTES:

TXV = Matched with Thermostatic Expansion Valve.

RFC = Matched with RFC metering device.

AHRI certified to AHRI Standard 210/240 (with 25 ft. of connecting refrigerant lines); 95°F outdoor air temperature, 80°F db / 67°F wb entering evaporator air.

All ratings include the use of a blower time delay relay (TDR). All Lennox variable-speed furnaces and Air Handlers have time delay capabilities. Other Furnaces and Air Handlers may require an optional time delay relay (**58M81**) for field installation. See furnace or air handler specifications to determine if relay is needed.

Also see Expansion Valve Kit Usage Table.

AHRI SYSTEM MATCHES - NORTH REGION

NOTE - For the latest up-to-date system matches please visit the AHRI web site at <http://www.ahridirectory.org>

Model No.	Expansion Device	Capacity	SEER	EER	Coil or Air Handler	Furnace	AHRI Reference
XC13N036-230	TXV	33400	13.5	11	CH35-48C	SL280UH090XV60C	7623937
XC13N036-230	TXV	33400	13	11	CH35-48C	SL280UH110V60C	7623939
XC13N036-230	TXV	33400	13	11	CH35-48C	SL280UH110XV60C	7623941
XC13N036-230	TXV	36000	14.25	11.5	CH35-48C	SLP98UH090XV36C	7623942
XC13N036-230	TXV	35800	14.25	12	CH35-48C	SLP98UH090XV48C	7623944
XC13N036-230	TXV	36000	14.25	12	CH35-48C	SLP98UH110XV60C	7623945
XC13N036-230	TXV	35400	13	11	CH35-48C		7623919
XC13N036-230	TXV	36000	14.5	12.2	CH35-51C	EL180UH090E60C	7623959
XC13N036-230	TXV	36000	14.5	12.2	CH35-51C	EL180UH110E60C	7623960
XC13N036-230	TXV	36000	14.5	12.2	CH35-51C	EL180UH110XE60C	7623962
XC13N036-230	TXV	36000	14.5	12	CH35-51C	EL195UH090XE48C	7623949
XC13N036-230	TXV	36000	14.5	12	CH35-51C	EL195UH110XE60C	7623952
XC13N036-230	TXV	36000	14.5	12	CH35-51C	EL296UH090XE48C	7623950
XC13N036-230	TXV	36000	14.5	12	CH35-51C	EL296UH090XV36C	7623955
XC13N036-230	TXV	36000	14.5	12	CH35-51C	EL296UH090XV48C	7623957
XC13N036-230	TXV	36000	14.5	12	CH35-51C	EL296UH110XE60C	7623954
XC13N036-230	TXV	33400	13.5	11	CH35-51C	SL280UH090V60C	7623963
XC13N036-230	TXV	33400	13.5	11	CH35-51C	SL280UH090XV60C	7623965
XC13N036-230	TXV	33400	13.2	11	CH35-51C	SL280UH110V60C	7623967
XC13N036-230	TXV	33400	13.2	11	CH35-51C	SL280UH110XV60C	7623968
XC13N036-230	TXV	36000	14.5	12	CH35-51C	SLP98UH090XV36C	7623970
XC13N036-230	TXV	36000	14.5	12	CH35-51C	SLP98UH090XV48C	7623972
XC13N036-230	TXV	36000	14.5	12	CH35-51C	SLP98UH110XV60C	7623973
XC13N036-230	TXV	35800	13	11	CH35-51C		7623947
XC13N036-230	TXV	35200	14	11	CR33-48	EL180DF070E36B	7620309
XC13N036-230	TXV	35200	14	11	CR33-48	EL180DF090E48B	7619792
XC13N036-230	TXV	35600	14	11	CR33-48	EL180DF110E60C	7619798
XC13N036-230	TXV	35400	14	11	CR33-48	EL195DF110XE60C	7619658
XC13N036-230	TXV	35200	13	11	CR33-48	EL296DF070XV48B	10267539
XC13N036-230	TXV	33000	13	11	CR33-48	SL280DF110V60C	7619657
XC13N036-230	TXV	32800	13	11	CR33-48B	SL280DF090V48B	7619656
XC13N036-230	TXV	36000	14	11	CR33-50/60	EL180DF110E60C	7619799
XC13N036-230	TXV	35800	14	11	CR33-50/60	EL195DF090XE48C	7619660
XC13N036-230	TXV	35800	14	11	CR33-50/60	EL296DF090XE48C	7619724
XC13N036-230	TXV	35800	14	11	CR33-50/60	EL296DF090XV60C	7619661
XC13N036-230	TXV	33200	13	11	CR33-50/60	SL280DF110V60C	7619662
XC13N036-230	TXV	35800	14	11	CR33-50/60	SLP98DF090XV48C	7619663
XC13N036-230	TXV	35200	13	11	CX35-30A	EL180UH045E36A	8268833
XC13N036-230	TXV	35200	13	11	CX35-30A	EL180UH045XE36A	8268834
XC13N036-230	TXV	35000	13	11	CX35-30A	SL280UH070V36A	8268835
XC13N036-230	TXV	35000	13	11	CX35-30A	SL280UH070XV36A	8268836
XC13N036-230	TXV	35000	14	11	CX35-30B	EL180UH070E36B	8268839
XC13N036-230	TXV	35000	14	11	CX35-30B	EL180UH070XE36B	8268838
XC13N036-230	TXV	35200	14	11	CX35-30B	EL180UH090E48B	8268837
XC13N036-230	TXV	35200	14	11	CX35-30B	EL180UH090XE48B	8268840
XC13N036-230	TXV	35000	13	11	CX35-30B	EL195UH045XE36B	8268841
XC13N036-230	TXV	34800	13	11	CX35-30B	EL195UH070XE36B	8268842
XC13N036-230	TXV	34800	13	11	CX35-30B	EL296UH045XV36B	8268843
XC13N036-230	TXV	35000	13	11	CX35-30B	EL296UH070XV36B	8268844

NOTES:

TXV = Matched with Thermostatic Expansion Valve.

RFC = Matched with RFC metering device.

AHRI certified to AHRI Standard 210/240 (with 25 ft. of connecting refrigerant lines); 95°F outdoor air temperature, 80°F db / 67°F wb entering evaporator air.

All ratings include the use of a blower time delay relay (TDR). All Lennox variable-speed furnaces and Air Handlers have time delay capabilities. Other Furnaces and Air Handlers may require an optional time delay relay (**58M81**) for field installation. See furnace or air handler specifications to determine if relay is needed.

Also see Expansion Valve Kit Usage Table.

AHRI SYSTEM MATCHES - NORTH REGION

NOTE - For the latest up-to-date system matches please visit the AHRI web site at <http://www.ahridirectory.org>

Model No.	Expansion Device	Capacity	SEER	EER	Coil or Air Handler	Furnace	AHRI Reference
XC13N036-230	TXV	35200	14	11	CX35-30B	SL280UH090V36B	8268845
XC13N036-230	TXV	35000	13	11	CX35-30B	SLP98UH070XV36B	8268846
XC13N036-230	TXV	35200	14	11	CX35-36A	SL280UH070V36A	8268848
XC13N036-230	TXV	35200	14	11	CX35-36A	SL280UH070XV36A	8268849
XC13N036-230	TXV	35000	13	10.7	CX35-36A		8268847
XC13N036-230	TXV	35600	14.5	12	CX35-36B	EL180UH070E36B	8268853
XC13N036-230	TXV	35600	14.5	12	CX35-36B	EL180UH070XE36B	8268852
XC13N036-230	TXV	35800	14	11	CX35-36B	EL180UH090E48B	8268851
XC13N036-230	TXV	35800	14	11	CX35-36B	EL180UH090XE48B	8268854
XC13N036-230	TXV	35400	14	11	CX35-36B	EL195UH070XE36B	8268857
XC13N036-230	TXV	35200	14	11	CX35-36B	EL296UH045XV36B	8268855
XC13N036-230	TXV	35400	14	11	CX35-36B	EL296UH070XV36B	8268856
XC13N036-230	TXV	35600	14	11	CX35-36B	SL280UH090V36B	8268858
XC13N036-230	TXV	33200	13	11	CX35-36B	SL280UH090V48B	8268859
XC13N036-230	TXV	33200	13	11	CX35-36B	SL280UH090XV48B	8268860
XC13N036-230	TXV	35400	14	11	CX35-36B	SLP98UH070XV36B	8268861
XC13N036-230	TXV	35000	13	10.7	CX35-36B		8268850
XC13N036-230	TXV	35800	14.5	12	CX35-48B	EL180UH070E36B	8268882
XC13N036-230	TXV	35800	14.5	12	CX35-48B	EL180UH070XE36B	8268884
XC13N036-230	TXV	36000	14	11	CX35-48B	EL180UH090E48B	8268880
XC13N036-230	TXV	36000	14	11	CX35-48B	EL180UH090XE48B	8268883
XC13N036-230	TXV	35600	14	11	CX35-48B	EL195UH070XE36B	8268885
XC13N036-230	TXV	35600	14	11	CX35-48B	EL296UH070XE36B	8268886
XC13N036-230	TXV	35600	14	11	CX35-48B	EL296UH070XV36B	8268881
XC13N036-230	TXV	35800	14.5	12	CX35-48B	SL280UH090V36B	8268887
XC13N036-230	TXV	33400	13.5	11	CX35-48B	SL280UH090V48B	8268888
XC13N036-230	TXV	33400	13.5	11	CX35-48B	SL280UH090XV48B	8268889
XC13N036-230	TXV	35600	14	11	CX35-48B	SLP98UH070XV36B	8268890
XC13N036-230	TXV	35400	13	11	CX35-48B		8268879
XC13N036-230	TXV	36000	14.5	12	CX35-48C	EL180UH090E60C	8268863
XC13N036-230	TXV	35800	14.5	12	CX35-48C	EL180UH110E60C	8268864
XC13N036-230	TXV	35800	14.5	12	CX35-48C	EL180UH110XE60C	8268865
XC13N036-230	TXV	35800	14	11	CX35-48C	EL195UH090XE48C	8268877
XC13N036-230	TXV	36000	14	11	CX35-48C	EL195UH110XE60C	8268878
XC13N036-230	TXV	35800	14	11	CX35-48C	EL296UH090XE48C	8268866
XC13N036-230	TXV	35800	14	11	CX35-48C	EL296UH090XV36C	8268871
XC13N036-230	TXV	35800	14	11	CX35-48C	EL296UH090XV48C	8268872
XC13N036-230	TXV	36000	14	11	CX35-48C	EL296UH110XE60C	8268867
XC13N036-230	TXV	33800	13.2	11	CX35-48C	SL280UH090V60C	8268873
XC13N036-230	TXV	33800	13.2	11	CX35-48C	SL280UH090XV60C	8268875
XC13N036-230	TXV	33600	13	11	CX35-48C	SL280UH110V60C	8268874
XC13N036-230	TXV	33600	13	11	CX35-48C	SL280UH110XV60C	8268876
XC13N036-230	TXV	35800	14	11	CX35-48C	SLP98UH090XV36C	8268868
XC13N036-230	TXV	35800	14	11	CX35-48C	SLP98UH090XV48C	8268869
XC13N036-230	TXV	36200	14.5	12	CX35-48C	SLP98UH110XV60C	8268870
XC13N036-230	TXV	35400	13	11	CX35-48C		8268862
XC13N036-230	TXV	36000	14.5	12	CX35-50/60C	EL180UH090E60C	8268894
XC13N036-230	TXV	35600	14	11	CX35-50/60C	EL180UH110E60C	8268897
XC13N036-230	TXV	35600	14	11	CX35-50/60C	EL180UH110XE60C	8268895

NOTES:

TXV = Matched with Thermostatic Expansion Valve.

RFC = Matched with RFC metering device.

AHRI certified to AHRI Standard 210/240 (with 25 ft. of connecting refrigerant lines); 95°F outdoor air temperature, 80°F db / 67°F wb entering evaporator air. All ratings include the use of a blower time delay relay (TDR). All Lennox variable-speed furnaces and Air Handlers have time delay capabilities. Other Furnaces and Air Handlers may require an optional time delay relay (**58M81**) for field installation. See furnace or air handler specifications to determine if relay is needed.

Also see Expansion Valve Kit Usage Table.

AHRI SYSTEM MATCHES - NORTH REGION

NOTE - For the latest up-to-date system matches please visit the AHRI web site at <http://www.ahridirectory.org>

Model No.	Expansion Device	Capacity	SEER	EER	Coil or Air Handler	Furnace	AHRI Reference
XC13N036-230	TXV	35800	14	11	CX35-50/60C	EL195UH090XE48C	8268904
XC13N036-230	TXV	36000	14	11	CX35-50/60C	EL195UH110XE60C	8268905
XC13N036-230	TXV	35800	14	11	CX35-50/60C	EL296UH090XE48C	8268892
XC13N036-230	TXV	35800	14	11	CX35-50/60C	EL296UH090XV36C	8268906
XC13N036-230	TXV	35600	14	11	CX35-50/60C	EL296UH090XV48C	8268907
XC13N036-230	TXV	36000	14	11	CX35-50/60C	EL296UH110XE60C	8268893
XC13N036-230	TXV	33600	13.2	11	CX35-50/60C	SL280UH090V60C	8268898
XC13N036-230	TXV	33600	13.2	11	CX35-50/60C	SL280UH090XV60C	8268900
XC13N036-230	TXV	33400	13	11	CX35-50/60C	SL280UH110V60C	8268899
XC13N036-230	TXV	33400	13	11	CX35-50/60C	SL280UH110XV60C	8268901
XC13N036-230	TXV	35800	14	11	CX35-50/60C	SLP98UH090XV36C	8268902
XC13N036-230	TXV	35600	14	11	CX35-50/60C	SLP98UH090XV48C	8268903
XC13N036-230	TXV	36000	14	11	CX35-50/60C	SLP98UH110XV60C	8268896
XC13N036-230	TXV	35200	13	11	CX35-50/60C		8268891
XC13N036-230	TXV	35000	13	10.7	CX38-38B		10558402
XC13N042-230	RFC	40000	13	10.7	C35-49C		8630503
XC13N042-230	RFC	40000	13	10.7	C35-60C		8630506
XC13N042-230	TXV	41000	13.5	11.5	C35-30/36B	EL180UH090E48B	8268916
XC13N042-230	TXV	41000	13.5	11.5	C35-30/36B	EL180UH090XE48B	8268917
XC13N042-230	TXV	40500	13	11	C35-30/36B	EL296UH070XV36B	8268918
XC13N042-230	TXV	41000	13.5	11.5	C35-30/36B	SL280UH090V48B	8268920
XC13N042-230	TXV	41000	13.5	11.5	C35-30/36B	SL280UH090XV48B	8268919
XC13N042-230	TXV	40500	13	11	C35-30/36B	SLP98UH070XV36B	8268921
XC13N042-230	TXV	40000	13	11	C35-30/36B		8268915
XC13N042-230	TXV	40000	13.9	11.65	C35-30/36C	CBWMV-60C-100	8268935
XC13N042-230	TXV	40000	13.9	11.65	C35-30/36C	CBWMV-60C-120	8268932
XC13N042-230	TXV	41000	14	11.5	C35-30/36C	EL180UH090E60C	8268923
XC13N042-230	TXV	40500	14	11.5	C35-30/36C	EL180UH110E60C	8268925
XC13N042-230	TXV	40500	14	11.5	C35-30/36C	EL180UH110XE60C	8268924
XC13N042-230	TXV	40500	13.5	11.5	C35-30/36C	EL296UH090XV36C	8268926
XC13N042-230	TXV	41000	14	11.5	C35-30/36C	EL296UH090XV48C	8268927
XC13N042-230	TXV	41000	13.5	11.5	C35-30/36C	EL296UH090XV60C	8268928
XC13N042-230	TXV	41000	14	11.5	C35-30/36C	EL296UH110XV60C	8268929
XC13N042-230	TXV	41000	14	11.5	C35-30/36C	SL280UH090V60C	8268933
XC13N042-230	TXV	41000	14	11.5	C35-30/36C	SL280UH090XV60C	8268930
XC13N042-230	TXV	41000	14	11.5	C35-30/36C	SL280UH110V60C	8268934
XC13N042-230	TXV	41000	14	11.5	C35-30/36C	SL280UH110XV60C	8268931
XC13N042-230	TXV	40500	13.5	11.5	C35-30/36C	SLP98UH090XV36C	8268937
XC13N042-230	TXV	41000	14	11.5	C35-30/36C	SLP98UH090XV48C	8268938
XC13N042-230	TXV	41000	13.5	11.5	C35-30/36C	SLP98UH090XV60C	8268939
XC13N042-230	TXV	41000	14	11.5	C35-30/36C	SLP98UH110XV60C	8268936
XC13N042-230	TXV	40000	13	11	C35-30/36C		8268922
XC13N042-230	TXV	42000	14	12	C35-30B	EL180UH090E48B	8268909
XC13N042-230	TXV	42000	14	12	C35-30B	EL180UH090XE48B	8268910
XC13N042-230	TXV	42000	13.5	11.5	C35-30B	EL296UH070XV36B	8268911
XC13N042-230	TXV	42500	14	12	C35-30B	SL280UH090V48B	8268913
XC13N042-230	TXV	42500	14	12	C35-30B	SL280UH090XV48B	8268912
XC13N042-230	TXV	42000	13.5	11.5	C35-30B	SLP98UH070XV36B	8268914
XC13N042-230	TXV	41500	13	11	C35-30B		8268908

NOTES:

TXV = Matched with Thermostatic Expansion Valve.

RFC = Matched with RFC metering device.

AHRI certified to AHRI Standard 210/240 (with 25 ft. of connecting refrigerant lines); 95°F outdoor air temperature, 80°F db / 67°F wb entering evaporator air.

All ratings include the use of a blower time delay relay (TDR). All Lennox variable-speed furnaces and Air Handlers have time delay capabilities. Other Furnaces and Air Handlers may require an optional time delay relay (**58M81**) for field installation. See furnace or air handler specifications to determine if relay is needed.

Also see Expansion Valve Kit Usage Table.

AHRI SYSTEM MATCHES - NORTH REGION

NOTE - For the latest up-to-date system matches please visit the AHRI web site at <http://www.ahridirectory.org>

Model No.	Expansion Device	Capacity	SEER	EER	Coil or Air Handler	Furnace	AHRI Reference
XC13N042-230	TXV	42500	14	12	C35-36B	EL180UH090E48B	8268941
XC13N042-230	TXV	42500	14	12	C35-36B	EL180UH090XE48B	8268942
XC13N042-230	TXV	42500	13.5	11.5	C35-36B	EL296UH070XV36B	8268943
XC13N042-230	TXV	43000	14	12	C35-36B	SL280UH090V48B	8268945
XC13N042-230	TXV	43000	14	12	C35-36B	SL280UH090XV48B	8268944
XC13N042-230	TXV	42500	13.5	11.5	C35-36B	SLP98UH070XV36B	8268946
XC13N042-230	TXV	41000	13	11	C35-36B		8268940
XC13N042-230	TXV	42500	14	11.5	C35-48B	EL296UH070XV36B	8268972
XC13N042-230	TXV	43000	14.5	12	C35-48B	SL280UH090V48B	8268974
XC13N042-230	TXV	43000	14.5	12	C35-48B	SL280UH090XV48B	8268973
XC13N042-230	TXV	42500	14	11.5	C35-48B	SLP98UH070XV36B	8268975
XC13N042-230	TXV	42000	13.5	11.5	C35-48B		8268971
XC13N042-230	TXV	42000	14.5	12.1	C35-48C	CBWMV-60C-100	8268966
XC13N042-230	TXV	42000	14.45	12.05	C35-48C	CBWMV-60C-120	8268965
XC13N042-230	TXV	43000	14.5	12	C35-48C	EL180UH090E60C	8268950
XC13N042-230	TXV	43000	14.5	12	C35-48C	EL180UH110E60C	8268952
XC13N042-230	TXV	43000	14.5	12	C35-48C	EL180UH110XE60C	8268951
XC13N042-230	TXV	42500	14	12	C35-48C	EL195UH090XE48C	8268959
XC13N042-230	TXV	43000	14	12	C35-48C	EL195UH110XE60C	8268960
XC13N042-230	TXV	42500	14	12	C35-48C	EL296UH090XE48C	8268953
XC13N042-230	TXV	43000	14.5	12	C35-48C	EL296UH090XV36C	8268955
XC13N042-230	TXV	43000	14.5	12	C35-48C	EL296UH090XV48C	8268956
XC13N042-230	TXV	43500	14.5	12	C35-48C	EL296UH090XV60C	8268957
XC13N042-230	TXV	43000	14	12	C35-48C	EL296UH110XE60C	8268954
XC13N042-230	TXV	43500	14.5	12.5	C35-48C	EL296UH110XV60C	8268958
XC13N042-230	TXV	43500	15	12.5	C35-48C	SL280UH090V60C	8268963
XC13N042-230	TXV	43500	15	12.5	C35-48C	SL280UH090XV60C	8268961
XC13N042-230	TXV	43500	14.5	12.5	C35-48C	SL280UH110V60C	8268964
XC13N042-230	TXV	43500	14.5	12.5	C35-48C	SL280UH110XV60C	8268962
XC13N042-230	TXV	42000	14	11.5	C35-48C	SLO185B124/141V60	8268948
XC13N042-230	TXV	42000	14	11.5	C35-48C	SLO185UF124/141V60	8268949
XC13N042-230	TXV	43000	14.5	12	C35-48C	SLP98UH090XV36C	8268969
XC13N042-230	TXV	43000	14.5	12	C35-48C	SLP98UH090XV48C	8268970
XC13N042-230	TXV	43500	14.5	12	C35-48C	SLP98UH090XV60C	8268967
XC13N042-230	TXV	43500	14.5	12.5	C35-48C	SLP98UH110XV60C	8268968
XC13N042-230	TXV	42000	13.5	11.5	C35-48C		8268947
XC13N042-230	TXV	42500	14.65	12.2	C35-49C	CBWMV-60C-100	8268994
XC13N042-230	TXV	42500	14.6	12.15	C35-49C	CBWMV-60C-120	8268995
XC13N042-230	TXV	44000	15	12.5	C35-49C	EL180UH090E60C	8268981
XC13N042-230	TXV	43500	15	12.5	C35-49C	EL180UH110E60C	8268983
XC13N042-230	TXV	43500	15	12.5	C35-49C	EL180UH110XE60C	8268982
XC13N042-230	TXV	43000	14	12	C35-49C	EL195UH090XE48C	8268988
XC13N042-230	TXV	43500	14	12	C35-49C	EL195UH110XE60C	8268989
XC13N042-230	TXV	43000	14	12	C35-49C	EL296UH090XE48C	8268985
XC13N042-230	TXV	43500	14.5	12	C35-49C	EL296UH090XV36C	8268987
XC13N042-230	TXV	43500	14.5	12	C35-49C	EL296UH090XV48C	8268986
XC13N042-230	TXV	44000	14.5	12	C35-49C	EL296UH090XV60C	8268977
XC13N042-230	TXV	43500	14	12	C35-49C	EL296UH110XE60C	8268984
XC13N042-230	TXV	44000	14.5	12.5	C35-49C	EL296UH110XV60C	8268978

NOTES:

TXV = Matched with Thermostatic Expansion Valve.

RFC = Matched with RFC metering device.

AHRI certified to AHRI Standard 210/240 (with 25 ft. of connecting refrigerant lines); 95°F outdoor air temperature, 80°F db / 67°F wb entering evaporator air.

All ratings include the use of a blower time delay relay (TDR). All Lennox variable-speed furnaces and Air Handlers have time delay capabilities. Other Furnaces and Air Handlers may require an optional time delay relay (**58M81**) for field installation. See furnace or air handler specifications to determine if relay is needed.

Also see Expansion Valve Kit Usage Table.

AHRI SYSTEM MATCHES - NORTH REGION

NOTE - For the latest up-to-date system matches please visit the AHRI web site at <http://www.ahridirectory.org>

Model No.	Expansion Device	Capacity	SEER	EER	Coil or Air Handler	Furnace	AHRI Reference
XC13N042-230	TXV	44000	15	12.5	C35-49C	SL280UH090V60C	8268992
XC13N042-230	TXV	44000	15	12.5	C35-49C	SL280UH090XV60C	8268990
XC13N042-230	TXV	44000	15	12.5	C35-49C	SL280UH110V60C	8268993
XC13N042-230	TXV	44000	15	12.5	C35-49C	SL280UH110XV60C	8268991
XC13N042-230	TXV	42500	14	11.5	C35-49C	SLO185B124/141V60	8268979
XC13N042-230	TXV	42500	14	11.5	C35-49C	SLO185UF124/141V60	8268980
XC13N042-230	TXV	43500	14.5	12	C35-49C	SLP98UH090XV36C	8268999
XC13N042-230	TXV	43500	14.5	12	C35-49C	SLP98UH090XV48C	8268996
XC13N042-230	TXV	44000	14.5	12	C35-49C	SLP98UH090XV60C	8268997
XC13N042-230	TXV	44000	14.5	12.5	C35-49C	SLP98UH110XV60C	8268998
XC13N042-230	TXV	42000	13.5	11.5	C35-49C		8268976
XC13N042-230	TXV	42000	14.4	12.1	C35-50/60C	CBWMV-60C-100	8269018
XC13N042-230	TXV	42000	14.4	12.1	C35-50/60C	CBWMV-60C-120	8269019
XC13N042-230	TXV	43000	14.5	12	C35-50/60C	EL180UH090E60C	8269007
XC13N042-230	TXV	42500	14.5	12	C35-50/60C	EL180UH110E60C	8269009
XC13N042-230	TXV	42500	14.5	12	C35-50/60C	EL180UH110XE60C	8269008
XC13N042-230	TXV	42000	14	11.5	C35-50/60C	EL195UH090XE48C	8269012
XC13N042-230	TXV	42500	14	11.5	C35-50/60C	EL195UH110XE60C	8269013
XC13N042-230	TXV	42000	14	11.5	C35-50/60C	EL296UH090XE48C	8269010
XC13N042-230	TXV	42500	14	12	C35-50/60C	EL296UH090XV36C	8269001
XC13N042-230	TXV	42500	14.5	12	C35-50/60C	EL296UH090XV48C	8269002
XC13N042-230	TXV	43000	14	12	C35-50/60C	EL296UH090XV60C	8269003
XC13N042-230	TXV	42500	14	11.5	C35-50/60C	EL296UH110XE60C	8269011
XC13N042-230	TXV	43000	14.5	12	C35-50/60C	EL296UH110XV60C	8269004
XC13N042-230	TXV	43000	14.5	12	C35-50/60C	SL280UH090V60C	8269016
XC13N042-230	TXV	43000	14.5	12	C35-50/60C	SL280UH090XV60C	8269014
XC13N042-230	TXV	43000	14.5	12	C35-50/60C	SL280UH110V60C	8269017
XC13N042-230	TXV	43000	14.5	12	C35-50/60C	SL280UH110XV60C	8269015
XC13N042-230	TXV	42500	14.5	12	C35-50/60C	SLO185B124/141V60	8269005
XC13N042-230	TXV	42500	14.5	12	C35-50/60C	SLO185UF124/141V60	8269006
XC13N042-230	TXV	42500	14	12	C35-50/60C	SLP98UH090XV36C	8269020
XC13N042-230	TXV	42500	14.5	12	C35-50/60C	SLP98UH090XV48C	8269021
XC13N042-230	TXV	43000	14	12	C35-50/60C	SLP98UH090XV60C	8269022
XC13N042-230	TXV	43000	14.5	12	C35-50/60C	SLP98UH110XV60C	8269023
XC13N042-230	TXV	42000	13.5	11.5	C35-50/60C		8269000
XC13N042-230	TXV	41500	13	11	C35-60D		9546333
XC13N042-230	TXV	43000	14.5	12.2	CBA27UHE-042		10259490
XC13N042-230	TXV	43000	14.5	12.5	CBA27UHE-048		10259491
XC13N042-230	TXV	41500	13	11	CBX25UH-042		7619786
XC13N042-230	TXV	42000	14.5	12	CBX25UHV-042		7622685
XC13N042-230	TXV	43000	15	12.5	CBX27UH-042		7618681
XC13N042-230	TXV	43000	15	12.5	CBX27UH-048		7618688
XC13N042-230	TXV	41500	13.5	11.5	CBX32M-042		7618682
XC13N042-230	TXV	42500	14	12	CBX32M-048		7618683
XC13N042-230	TXV	41000	13.5	11.5	CBX32MV-036		7618689
XC13N042-230	TXV	43000	14.5	12	CBX32MV-048		7618690
XC13N042-230	TXV	43500	14.5	12	CBX32MV-060		7618691
XC13N042-230	TXV	41000	13.5	11.5	CBX40UHV-036		7618684
XC13N042-230	TXV	43000	15	12.5	CBX40UHV-042		7618685

NOTES:

TXV = Matched with Thermostatic Expansion Valve.

RFC = Matched with RFC metering device.

AHRI certified to AHRI Standard 210/240 (with 25 ft. of connecting refrigerant lines); 95°F outdoor air temperature, 80°F db / 67°F wb entering evaporator air.

All ratings include the use of a blower time delay relay (TDR). All Lennox variable-speed furnaces and Air Handlers have time delay capabilities. Other Furnaces and Air Handlers may require an optional time delay relay (**58M81**) for field installation. See furnace or air handler specifications to determine if relay is needed.

Also see Expansion Valve Kit Usage Table.

AHRI SYSTEM MATCHES - NORTH REGION

NOTE - For the latest up-to-date system matches please visit the AHRI web site at <http://www.ahridirectory.org>

Model No.	Expansion Device	Capacity	SEER	EER	Coil or Air Handler	Furnace	AHRI Reference
XC13N042-230	TXV	43000	14.5	12	CBX40UHV-048		7618686
XC13N042-230	TXV	43500	14.5	12	CBX40UHV-060		7618687
XC13N042-230	TXV	42000	14	12	CH23-41	EL180UH090E48B	7620582
XC13N042-230	TXV	42000	14	12	CH23-41	EL180UH090XE48B	7619986
XC13N042-230	TXV	41500	13.5	11.5	CH23-41	EL296UH070XV36B	7618484
XC13N042-230	TXV	42000	14	12	CH23-41	SL280UH090V48B	7618729
XC13N042-230	TXV	42000	14	12	CH23-41	SL280UH090XV48B	7618777
XC13N042-230	TXV	41500	13.5	11.5	CH23-41	SLP98UH070XV36B	7618515
XC13N042-230	TXV	40500	13	11	CH23-41		7618662
XC13N042-230	TXV	42000	14.5	12	CH23-51	EL180UH090E60C	7620763
XC13N042-230	TXV	42000	14.5	12	CH23-51	EL180UH110E60C	7620432
XC13N042-230	TXV	42000	14.5	12	CH23-51	EL180UH110XE60C	7620549
XC13N042-230	TXV	41500	14	12	CH23-51	EL296UH090XV36C	7618485
XC13N042-230	TXV	42000	14	12	CH23-51	EL296UH090XV48C	7618486
XC13N042-230	TXV	42000	14	12	CH23-51	EL296UH090XV60C	7618487
XC13N042-230	TXV	42000	14.5	12	CH23-51	EL296UH110XV60C	7618846
XC13N042-230	TXV	42000	14.5	12	CH23-51	SL280UH090V60C	7618730
XC13N042-230	TXV	42000	14.5	12	CH23-51	SL280UH090XV60C	7618809
XC13N042-230	TXV	42000	14.5	12	CH23-51	SL280UH110V60C	7618731
XC13N042-230	TXV	42000	14.5	12	CH23-51	SL280UH110XV60C	7618793
XC13N042-230	TXV	41500	14	12	CH23-51	SLP98UH090XV36C	7618516
XC13N042-230	TXV	42000	14	12	CH23-51	SLP98UH090XV48C	7618517
XC13N042-230	TXV	42000	14	12	CH23-51	SLP98UH090XV60C	7618518
XC13N042-230	TXV	42000	14.5	12	CH23-51	SLP98UH110XV60C	7618572
XC13N042-230	TXV	41000	13	11	CH23-51		7618664
XC13N042-230	TXV	42000	14	11.5	CH23-65	EL195UH090XE48C	7618834
XC13N042-230	TXV	42500	14	11.5	CH23-65	EL195UH110XE60C	7618835
XC13N042-230	TXV	42000	14	11.5	CH23-65	EL296UH090XE48C	7619328
XC13N042-230	TXV	42500	14	11.5	CH23-65	EL296UH110XE60C	7619329
XC13N042-230	TXV	41500	14	11.5	CH33-36	EL296UH090XV36C	7618489
XC13N042-230	TXV	41500	14	11.5	CH33-36	EL296UH090XV48C	7618490
XC13N042-230	TXV	41500	14	11.5	CH33-36	EL296UH090XV60C	7618491
XC13N042-230	TXV	41500	14	11.5	CH33-36	EL296UH110XV60C	7618492
XC13N042-230	TXV	42000	14	12	CH33-36	SL280UH090V60C	7618733
XC13N042-230	TXV	42000	14	12	CH33-36	SL280UH090XV60C	7618810
XC13N042-230	TXV	41500	14	11.5	CH33-36	SL280UH110V60C	7618734
XC13N042-230	TXV	41500	14	11.5	CH33-36	SL280UH110XV60C	7618794
XC13N042-230	TXV	41500	14	11.5	CH33-36	SLP98UH090XV36C	7618520
XC13N042-230	TXV	41500	14	11.5	CH33-36	SLP98UH090XV48C	7618532
XC13N042-230	TXV	41500	14	11.5	CH33-36	SLP98UH090XV60C	7618533
XC13N042-230	TXV	41500	14	11.5	CH33-36	SLP98UH110XV60C	7618534
XC13N042-230	TXV	41000	13.5	11.5	CH33-36B	EL180UH090E48B	7620584
XC13N042-230	TXV	41000	13.5	11.5	CH33-36B	EL180UH090XE48B	7619988
XC13N042-230	TXV	40500	13	11	CH33-36B	EL296UH070XV36B	7618488
XC13N042-230	TXV	41000	13.5	11.5	CH33-36B	SL280UH090V48B	7618732
XC13N042-230	TXV	41000	13.5	11.5	CH33-36B	SL280UH090XV48B	7618778
XC13N042-230	TXV	40500	13	11	CH33-36B	SLP98UH070XV36B	7618519
XC13N042-230	TXV	40000	13	11	CH33-36B		7618642
XC13N042-230	TXV	41000	14	11.5	CH33-36C	CBWMV-60C-100	7618679

NOTES:

TXV = Matched with Thermostatic Expansion Valve.

RFC = Matched with RFC metering device.

AHRI certified to AHRI Standard 210/240 (with 25 ft. of connecting refrigerant lines); 95°F outdoor air temperature, 80°F db / 67°F wb entering evaporator air.

All ratings include the use of a blower time delay relay (TDR). All Lennox variable-speed furnaces and Air Handlers have time delay capabilities. Other Furnaces and Air Handlers may require an optional time delay relay (**58M81**) for field installation. See furnace or air handler specifications to determine if relay is needed.

Also see Expansion Valve Kit Usage Table.

AHRI SYSTEM MATCHES - NORTH REGION

NOTE - For the latest up-to-date system matches please visit the AHRI web site at <http://www.ahridirectory.org>

Model No.	Expansion Device	Capacity	SEER	EER	Coil or Air Handler	Furnace	AHRI Reference
XC13N042-230	TXV	41000	14	11.5	CH33-36C	CBWMV-60C-120	7618680
XC13N042-230	TXV	41500	14	12	CH33-36C	EL180UH090E60C	7620765
XC13N042-230	TXV	41000	14	11.5	CH33-36C	EL180UH110E60C	7620433
XC13N042-230	TXV	41000	14	11.5	CH33-36C	EL180UH110XE60C	7620550
XC13N042-230	TXV	40500	13	11	CH33-36C		7618643
XC13N042-230	TXV	41000	13	11	CH33-42		7618644
XC13N042-230	TXV	42000	14	11.5	CH33-42B	EL180UH090E48B	7620585
XC13N042-230	TXV	42000	14	11.5	CH33-42B	EL180UH090XE48B	7620007
XC13N042-230	TXV	41500	13.5	11.5	CH33-42B	EL296UH070XV36B	7618493
XC13N042-230	TXV	42000	14	11.5	CH33-42B	SL280UH090V48B	7618735
XC13N042-230	TXV	42000	14	11.5	CH33-42B	SL280UH090XV48B	7618779
XC13N042-230	TXV	41500	13.5	11.5	CH33-42B	SLP98UH070XV36B	7618535
XC13N042-230	TXV	43000	14.5	12	CH33-43	EL180UH090E60C	7620766
XC13N042-230	TXV	43000	14.5	12	CH33-43	EL180UH110E60C	7619893
XC13N042-230	TXV	43000	14.5	12	CH33-43	EL180UH110XE60C	7620551
XC13N042-230	TXV	43000	14.5	12	CH33-43	EL296UH090XV36C	7618495
XC13N042-230	TXV	43000	14.5	12	CH33-43	EL296UH090XV48C	7618496
XC13N042-230	TXV	43500	14.5	12	CH33-43	EL296UH090XV60C	7618497
XC13N042-230	TXV	43500	14.5	12.5	CH33-43	EL296UH110XV60C	7618498
XC13N042-230	TXV	43500	15	12.5	CH33-43	SL280UH090V60C	7618737
XC13N042-230	TXV	43500	15	12.5	CH33-43	SL280UH090XV60C	7618811
XC13N042-230	TXV	43500	14.5	12.5	CH33-43	SL280UH110V60C	7618738
XC13N042-230	TXV	43500	14.5	12.5	CH33-43	SL280UH110XV60C	7618795
XC13N042-230	TXV	43000	14.5	12	CH33-43	SLP98UH090XV36C	7618537
XC13N042-230	TXV	43000	14.5	12	CH33-43	SLP98UH090XV48C	7618538
XC13N042-230	TXV	43500	14.5	12	CH33-43	SLP98UH090XV60C	7618539
XC13N042-230	TXV	43500	14.5	12.5	CH33-43	SLP98UH110XV60C	7618540
XC13N042-230	TXV	43500	14.5	12	CH33-43B	EL180UH090E48B	7620587
XC13N042-230	TXV	43500	14.5	12	CH33-43B	EL180UH090XE48B	7620009
XC13N042-230	TXV	43500	14	12	CH33-43B	EL296UH070XV36B	7618494
XC13N042-230	TXV	44000	14.5	12	CH33-43B	SL280UH090V48B	7618736
XC13N042-230	TXV	44000	14.5	12	CH33-43B	SL280UH090XV48B	7618780
XC13N042-230	TXV	43500	14	12	CH33-43B	SLP98UH070XV36B	7618536
XC13N042-230	TXV	43000	13.5	11.5	CH33-43B		7618645
XC13N042-230	TXV	42500	14	12	CH33-43C	EL195UH090XE48C	7618836
XC13N042-230	TXV	43000	14	12	CH33-43C	EL195UH110XE60C	7618837
XC13N042-230	TXV	42500	14	12	CH33-43C	EL296UH090XE48C	7619330
XC13N042-230	TXV	43000	14	12	CH33-43C	EL296UH110XE60C	7619331
XC13N042-230	TXV	42500	13.5	11.5	CH33-43C		7618646
XC13N042-230	TXV	42000	13.5	11.5	CH33-44/48		7618647
XC13N042-230	TXV	42500	14	12	CH33-44/48B	EL180UH090E48B	7620589
XC13N042-230	TXV	42500	14	12	CH33-44/48B	EL180UH090XE48B	7620011
XC13N042-230	TXV	42500	13.5	11.5	CH33-44/48B	EL296UH070XV36B	7618499
XC13N042-230	TXV	43000	14	12	CH33-44/48B	SL280UH090V48B	7618739
XC13N042-230	TXV	43000	14	12	CH33-44/48B	SL280UH090XV48B	7618781
XC13N042-230	TXV	42500	13.5	11.5	CH33-44/48B	SLP98UH070XV36B	7618541
XC13N042-230	TXV	43000	14.5	12	CH33-48	EL180UH090E60C	7620768
XC13N042-230	TXV	43000	14.5	12	CH33-48	EL180UH110E60C	7619895
XC13N042-230	TXV	43000	14.5	12	CH33-48	EL180UH110XE60C	7620865

NOTES:

TXV = Matched with Thermostatic Expansion Valve.

RFC = Matched with RFC metering device.

AHRI certified to AHRI Standard 210/240 (with 25 ft. of connecting refrigerant lines); 95°F outdoor air temperature, 80°F db / 67°F wb entering evaporator air.

All ratings include the use of a blower time delay relay (TDR). All Lennox variable-speed furnaces and Air Handlers have time delay capabilities. Other Furnaces and Air Handlers may require an optional time delay relay (**58M81**) for field installation. See furnace or air handler specifications to determine if relay is needed.

Also see Expansion Valve Kit Usage Table.

AHRI SYSTEM MATCHES - NORTH REGION

NOTE - For the latest up-to-date system matches please visit the AHRI web site at <http://www.ahridirectory.org>

Model No.	Expansion Device	Capacity	SEER	EER	Coil or Air Handler	Furnace	AHRI Reference
XC13N042-230	TXV	42500	14	12	CH33-48	EL296UH090XV36C	7618500
XC13N042-230	TXV	43000	14.5	12	CH33-48	EL296UH090XV48C	7618501
XC13N042-230	TXV	43000	14	12	CH33-48	EL296UH090XV60C	7618502
XC13N042-230	TXV	43000	14.5	12	CH33-48	EL296UH110XV60C	7618503
XC13N042-230	TXV	43000	14.5	12	CH33-48	SL280UH110V60C	7618741
XC13N042-230	TXV	43000	14.5	12	CH33-48	SL280UH110XV60C	7618796
XC13N042-230	TXV	42500	14	12	CH33-48	SLP98UH090XV36C	7618542
XC13N042-230	TXV	43000	14.5	12	CH33-48	SLP98UH090XV48C	7618554
XC13N042-230	TXV	43000	14	12	CH33-48	SLP98UH090XV60C	7618555
XC13N042-230	TXV	43000	14.5	12	CH33-48	SLP98UH110XV60C	7618556
XC13N042-230	TXV	42500	14.5	12	CH33-48C	CBWMV-60C-100	7618699
XC13N042-230	TXV	42500	14.5	12	CH33-48C	CBWMV-60C-120	7618700
XC13N042-230	TXV	42000	14	11.5	CH33-48C	EL195UH090XE48C	7618838
XC13N042-230	TXV	42500	14	11.5	CH33-48C	EL195UH110XE60C	7618839
XC13N042-230	TXV	42000	14	11.5	CH33-48C	EL296UH090XE48C	7619332
XC13N042-230	TXV	42500	14	11.5	CH33-48C	EL296UH110XE60C	7619333
XC13N042-230	TXV	43000	14.5	12	CH33-48C	SL280UH090V60C	7618740
XC13N042-230	TXV	43000	14.5	12	CH33-48C	SL280UH090XV60C	7618812
XC13N042-230	TXV	42000	13.5	11.5	CH33-48C		7618648
XC13N042-230	TXV	43500	14.5	12.5	CH33-49	EL180UH090E60C	7620770
XC13N042-230	TXV	43500	14.5	12.5	CH33-49	EL180UH110E60C	7619899
XC13N042-230	TXV	43500	14.5	12.5	CH33-49	EL180UH110XE60C	7620553
XC13N042-230	TXV	43000	14	12	CH33-49	EL195UH090XE48C	7618840
XC13N042-230	TXV	43500	14	12	CH33-49	EL195UH110XE60C	7618841
XC13N042-230	TXV	43000	14	12	CH33-49	EL296UH090XE48C	7619334
XC13N042-230	TXV	43500	14.5	12	CH33-49	EL296UH090XV36C	7618504
XC13N042-230	TXV	43500	14.5	12	CH33-49	EL296UH090XV48C	7618505
XC13N042-230	TXV	44000	14.5	12	CH33-49	EL296UH090XV60C	7618506
XC13N042-230	TXV	43500	14	12	CH33-49	EL296UH110XE60C	7619335
XC13N042-230	TXV	44000	14.5	12	CH33-49	EL296UH110XV60C	7618507
XC13N042-230	TXV	44000	14.5	12.5	CH33-49	SL280UH090V60C	7618742
XC13N042-230	TXV	44000	14.5	12.5	CH33-49	SL280UH090XV60C	7618813
XC13N042-230	TXV	44000	14.5	12.5	CH33-49	SL280UH110V60C	7618743
XC13N042-230	TXV	44000	14.5	12.5	CH33-49	SL280UH110XV60C	7618797
XC13N042-230	TXV	43500	14.5	12	CH33-49	SLP98UH090XV36C	7618557
XC13N042-230	TXV	43500	14.5	12	CH33-49	SLP98UH090XV48C	7618558
XC13N042-230	TXV	44000	14.5	12	CH33-49	SLP98UH090XV60C	7618559
XC13N042-230	TXV	44000	14.5	12	CH33-49	SLP98UH110XV60C	7618560
XC13N042-230	TXV	43000	13.5	11.5	CH33-49		7618649
XC13N042-230	TXV	43000	14.5	12	CH33-50/60C	CBWMV-60C-100	7618692
XC13N042-230	TXV	43000	14.5	12	CH33-50/60C	CBWMV-60C-120	7618693
XC13N042-230	TXV	43500	14.5	12.5	CH33-50/60C	EL180UH090E60C	7620771
XC13N042-230	TXV	43000	14.5	12	CH33-50/60C	EL180UH110E60C	7619943
XC13N042-230	TXV	43000	14.5	12	CH33-50/60C	EL180UH110XE60C	7620555
XC13N042-230	TXV	42500	14	11.5	CH33-50/60C	EL195UH090XE48C	7618842
XC13N042-230	TXV	43000	14	11.5	CH33-50/60C	EL195UH110XE60C	7618843
XC13N042-230	TXV	42500	14	11.5	CH33-50/60C	EL296UH090XE48C	7619336
XC13N042-230	TXV	43500	14.5	12	CH33-50/60C	EL296UH090XV36C	7618508
XC13N042-230	TXV	43500	14.5	12	CH33-50/60C	EL296UH090XV48C	7618509

NOTES:

TXV = Matched with Thermostatic Expansion Valve.

RFC = Matched with RFC metering device.

AHRI certified to AHRI Standard 210/240 (with 25 ft. of connecting refrigerant lines); 95°F outdoor air temperature, 80°F db / 67°F wb entering evaporator air.

All ratings include the use of a blower time delay relay (TDR). All Lennox variable-speed furnaces and Air Handlers have time delay capabilities. Other Furnaces and Air Handlers may require an optional time delay relay (**58M81**) for field installation. See furnace or air handler specifications to determine if relay is needed.

Also see Expansion Valve Kit Usage Table.

AHRI SYSTEM MATCHES - NORTH REGION

NOTE - For the latest up-to-date system matches please visit the AHRI web site at <http://www.ahridirectory.org>

Model No.	Expansion Device	Capacity	SEER	EER	Coil or Air Handler	Furnace	AHRI Reference
XC13N042-230	TXV	43500	14.5	12	CH33-50/60C	EL296UH090XV60C	7618521
XC13N042-230	TXV	43000	14	11.5	CH33-50/60C	EL296UH110XE60C	7619337
XC13N042-230	TXV	43500	14.5	12	CH33-50/60C	EL296UH110XV60C	7618522
XC13N042-230	TXV	44000	14.5	12.5	CH33-50/60C	SL280UH090V60C	7618744
XC13N042-230	TXV	44000	14.5	12.5	CH33-50/60C	SL280UH090XV60C	7618814
XC13N042-230	TXV	43500	14.5	12	CH33-50/60C	SL280UH110V60C	7618745
XC13N042-230	TXV	43500	14.5	12	CH33-50/60C	SL280UH110XV60C	7618798
XC13N042-230	TXV	43500	14.5	12	CH33-50/60C	SLP98UH090XV36C	7618561
XC13N042-230	TXV	43500	14.5	12	CH33-50/60C	SLP98UH090XV48C	7618562
XC13N042-230	TXV	43500	14.5	12	CH33-50/60C	SLP98UH090XV60C	7618563
XC13N042-230	TXV	43500	14.5	12	CH33-50/60C	SLP98UH110XV60C	7618564
XC13N042-230	TXV	42500	13.5	11.5	CH33-50/60C		7618650
XC13N042-230	TXV	43000	14.5	12.5	CH33-60D	CBWMV-60C-100	7618694
XC13N042-230	TXV	43000	14.5	12	CH33-60D	CBWMV-60C-120	7618695
XC13N042-230	TXV	41500	14.25	12	CH35-36B	EL180UH090E48B	7624130
XC13N042-230	TXV	41500	14.25	12	CH35-36B	EL180UH090XE48B	7624132
XC13N042-230	TXV	40500	13	11	CH35-36B	EL296UH070XV36B	7624134
XC13N042-230	TXV	41000	14	11.5	CH35-36B	SL280UH090V48B	7624135
XC13N042-230	TXV	41000	14	11.5	CH35-36B	SL280UH090XV48B	7624137
XC13N042-230	TXV	40500	13	11	CH35-36B	SLP98UH070XV36B	7624138
XC13N042-230	TXV	40500	13	11	CH35-36B		7624140
XC13N042-230	TXV	41500	14.25	12	CH35-36C	EL180UH090E60C	7624153
XC13N042-230	TXV	41500	14.25	12	CH35-36C	EL180UH110E60C	7624155
XC13N042-230	TXV	41500	14.25	12	CH35-36C	EL180UH110XE60C	7624157
XC13N042-230	TXV	41000	14	11.5	CH35-36C	EL195UH090XE48C	7624144
XC13N042-230	TXV	41500	14	11.5	CH35-36C	EL195UH110XE60C	7624147
XC13N042-230	TXV	41000	14	11.5	CH35-36C	EL296UH090XE48C	7624145
XC13N042-230	TXV	41500	14	11.5	CH35-36C	EL296UH090XV36C	7624150
XC13N042-230	TXV	41500	14	11.5	CH35-36C	EL296UH090XV48C	7624152
XC13N042-230	TXV	41500	14	11.5	CH35-36C	EL296UH110XE60C	7624149
XC13N042-230	TXV	42000	14.25	12	CH35-36C	SL280UH090V60C	7624158
XC13N042-230	TXV	42000	14.25	12	CH35-36C	SL280UH090XV60C	7624160
XC13N042-230	TXV	41500	14.25	11.5	CH35-36C	SL280UH110V60C	7624162
XC13N042-230	TXV	41500	14.25	11.5	CH35-36C	SL280UH110XV60C	7624163
XC13N042-230	TXV	41500	14	11.5	CH35-36C	SLP98UH090XV36C	7624165
XC13N042-230	TXV	41500	14	11.5	CH35-36C	SLP98UH090XV48C	7624166
XC13N042-230	TXV	41500	14	11.5	CH35-36C	SLP98UH090XV60C	7624167
XC13N042-230	TXV	41500	14	11.5	CH35-36C	SLP98UH110XV60C	7624169
XC13N042-230	TXV	41000	13	11	CH35-36C		7624142
XC13N042-230	TXV	42000	15	12.5	CH35-42B	EL180UH090E48B	7624170
XC13N042-230	TXV	42000	15	12.5	CH35-42B	EL180UH090XE48B	7624172
XC13N042-230	TXV	42000	14.25	12	CH35-42B	EL296UH070XV36B	7624173
XC13N042-230	TXV	42000	14.5	12.5	CH35-42B	SL280UH090V48B	7624175
XC13N042-230	TXV	42000	14.5	12.5	CH35-42B	SL280UH090XV48B	7624176
XC13N042-230	TXV	42000	14.25	12	CH35-42B	SLP98UH070XV36B	7624177
XC13N042-230	TXV	42000	13	11.5	CH35-42B		7624184
XC13N042-230	TXV	42000	14.5	12.5	CH35-42C	EL180UH090E60C	7624179
XC13N042-230	TXV	42000	14.5	12.2	CH35-42C	EL180UH110E60C	7624181
XC13N042-230	TXV	42000	14.5	12.2	CH35-42C	EL180UH110XE60C	7624182

NOTES:

TXV = Matched with Thermostatic Expansion Valve.

RFC = Matched with RFC metering device.

AHRI certified to AHRI Standard 210/240 (with 25 ft. of connecting refrigerant lines); 95°F outdoor air temperature, 80°F db / 67°F wb entering evaporator air.

All ratings include the use of a blower time delay relay (TDR). All Lennox variable-speed furnaces and Air Handlers have time delay capabilities. Other Furnaces and Air Handlers may require an optional time delay relay (**58M81**) for field installation. See furnace or air handler specifications to determine if relay is needed.

Also see Expansion Valve Kit Usage Table.

AHRI SYSTEM MATCHES - NORTH REGION

NOTE - For the latest up-to-date system matches please visit the AHRI web site at <http://www.ahridirectory.org>

Model No.	Expansion Device	Capacity	SEER	EER	Coil or Air Handler	Furnace	AHRI Reference
XC13N042-230	TXV	42000	14.5	12.2	CH35-42C	EL195UH090XE48C	7624187
XC13N042-230	TXV	42000	14.5	12.2	CH35-42C	EL195UH110XE60C	7624189
XC13N042-230	TXV	42000	14.5	12.2	CH35-42C	EL296UH090XE48C	7624195
XC13N042-230	TXV	42000	14.5	12.2	CH35-42C	EL296UH090XV36C	7624191
XC13N042-230	TXV	42000	14.5	12.5	CH35-42C	EL296UH090XV48C	7624192
XC13N042-230	TXV	42000	14.5	12.5	CH35-42C	EL296UH090XV60C	7624194
XC13N042-230	TXV	42000	14.5	12.2	CH35-42C	EL296UH110XE60C	7624199
XC13N042-230	TXV	42000	14.5	12.2	CH35-42C	EL296UH110XV60C	7624197
XC13N042-230	TXV	42000	15	12.5	CH35-42C	SL280UH090V60C	7624200
XC13N042-230	TXV	42000	15	12.5	CH35-42C	SL280UH090XV60C	7624202
XC13N042-230	TXV	42000	15	12.5	CH35-42C	SL280UH110V60C	7624204
XC13N042-230	TXV	42000	15	12.5	CH35-42C	SL280UH110XV60C	7624205
XC13N042-230	TXV	42000	14.5	12.2	CH35-42C	SLP98UH090XV36C	7624207
XC13N042-230	TXV	42000	14.5	12.5	CH35-42C	SLP98UH090XV48C	7624209
XC13N042-230	TXV	42000	14.5	12.2	CH35-42C	SLP98UH090XV60C	7624210
XC13N042-230	TXV	42000	14.5	12.5	CH35-42C	SLP98UH110XV60C	7624212
XC13N042-230	TXV	42000	13	11.5	CH35-42C		7624186
XC13N042-230	TXV	42000	14.5	12.2	CH35-48B	EL180UH090E48B	7624213
XC13N042-230	TXV	42000	14.5	12.2	CH35-48B	EL180UH090XE48B	7624215
XC13N042-230	TXV	42000	14	11.5	CH35-48B	EL296UH070XV36B	7624219
XC13N042-230	TXV	42000	14.5	12.2	CH35-48B	SL280UH090V48B	7624220
XC13N042-230	TXV	42000	14.5	12.2	CH35-48B	SL280UH090XV48B	7624222
XC13N042-230	TXV	42000	14	11.5	CH35-48B	SLP98UH070XV36B	7624223
XC13N042-230	TXV	42000	13	11.5	CH35-48B		7624217
XC13N042-230	TXV	42000	14.5	12.2	CH35-48C	EL180UH090E60C	7624225
XC13N042-230	TXV	42000	14.5	12.2	CH35-48C	EL180UH110E60C	7624227
XC13N042-230	TXV	42000	14.5	12.2	CH35-48C	EL180UH110XE60C	7624228
XC13N042-230	TXV	42000	14.5	12.2	CH35-48C	EL195UH090XE48C	7624232
XC13N042-230	TXV	42000	14.5	12.2	CH35-48C	EL195UH110XE60C	7624233
XC13N042-230	TXV	42000	14.5	12.2	CH35-48C	EL296UH090XE48C	7624240
XC13N042-230	TXV	42000	14.5	12.2	CH35-48C	EL296UH090XV36C	7624235
XC13N042-230	TXV	42000	14.5	12.2	CH35-48C	EL296UH090XV48C	7624237
XC13N042-230	TXV	42000	14.5	12.2	CH35-48C	EL296UH090XV60C	7624238
XC13N042-230	TXV	42000	14.5	12.2	CH35-48C	EL296UH110XE60C	7624243
XC13N042-230	TXV	42000	14.5	12.2	CH35-48C	EL296UH110XV60C	7624241
XC13N042-230	TXV	42000	14.5	12.2	CH35-48C	SL280UH090V60C	7624245
XC13N042-230	TXV	42000	14.5	12.2	CH35-48C	SL280UH090XV60C	7624246
XC13N042-230	TXV	42000	14.5	12.2	CH35-48C	SL280UH110V60C	7624248
XC13N042-230	TXV	42000	14.5	12.2	CH35-48C	SL280UH110XV60C	7624250
XC13N042-230	TXV	42000	14.5	12.2	CH35-48C	SLP98UH090XV36C	7624251
XC13N042-230	TXV	42000	14.5	12.2	CH35-48C	SLP98UH090XV48C	7624253
XC13N042-230	TXV	42000	14.5	12.2	CH35-48C	SLP98UH090XV60C	7624255
XC13N042-230	TXV	42000	14.5	12.2	CH35-48C	SLP98UH110XV60C	7624256
XC13N042-230	TXV	42000	13	11.5	CH35-48C		7624230
XC13N042-230	TXV	42000	15	12.5	CH35-51C	EL180UH090E60C	7624273
XC13N042-230	TXV	42000	15	12.5	CH35-51C	EL180UH110E60C	7624274
XC13N042-230	TXV	42000	15	12.5	CH35-51C	EL180UH110XE60C	7624276
XC13N042-230	TXV	42000	14.5	12.2	CH35-51C	EL195UH090XE48C	7624260
XC13N042-230	TXV	42000	14.5	12.2	CH35-51C	EL195UH110XE60C	7624261

NOTES:

TXV = Matched with Thermostatic Expansion Valve.

RFC = Matched with RFC metering device.

AHRI certified to AHRI Standard 210/240 (with 25 ft. of connecting refrigerant lines); 95°F outdoor air temperature, 80°F db / 67°F wb entering evaporator air.

All ratings include the use of a blower time delay relay (TDR). All Lennox variable-speed furnaces and Air Handlers have time delay capabilities. Other Furnaces and Air Handlers may require an optional time delay relay (**58M81**) for field installation. See furnace or air handler specifications to determine if relay is needed.

Also see Expansion Valve Kit Usage Table.

AHRI SYSTEM MATCHES - NORTH REGION

NOTE - For the latest up-to-date system matches please visit the AHRI web site at <http://www.ahridirectory.org>

Model No.	Expansion Device	Capacity	SEER	EER	Coil or Air Handler	Furnace	AHRI Reference
XC13N042-230	TXV	42000	14.5	12.2	CH35-51C	EL296UH090XE48C	7624268
XC13N042-230	TXV	42000	14.5	12.2	CH35-51C	EL296UH090XV36C	7624263
XC13N042-230	TXV	42000	14.5	12.5	CH35-51C	EL296UH090XV48C	7624265
XC13N042-230	TXV	42000	14.5	12.5	CH35-51C	EL296UH090XV60C	7624266
XC13N042-230	TXV	42000	14.5	12.2	CH35-51C	EL296UH110XE60C	7624271
XC13N042-230	TXV	42000	14.5	12.2	CH35-51C	EL296UH110XV60C	7624269
XC13N042-230	TXV	42000	14.5	12.5	CH35-51C	SL280UH090V60C	7624278
XC13N042-230	TXV	42000	14.5	12.5	CH35-51C	SL280UH090XV60C	7624279
XC13N042-230	TXV	42000	14.5	12.5	CH35-51C	SL280UH110V60C	7624281
XC13N042-230	TXV	42000	14.5	12.5	CH35-51C	SL280UH110XV60C	7624282
XC13N042-230	TXV	42000	14.5	12.2	CH35-51C	SLP98UH090XV36C	7624284
XC13N042-230	TXV	42000	14.5	12.5	CH35-51C	SLP98UH090XV48C	7624286
XC13N042-230	TXV	42000	14.5	12.2	CH35-51C	SLP98UH090XV60C	7624287
XC13N042-230	TXV	42000	14.5	12.2	CH35-51C	SLP98UH110XV60C	7624289
XC13N042-230	TXV	42000	13	11.5	CH35-51C		7624258
XC13N042-230	TXV	41500	13.5	11.5	CR33-30/36	EL296DF090XV60C	7618566
XC13N042-230	TXV	41500	13.5	11.5	CR33-30/36	EL296DF110XV60C	7618567
XC13N042-230	TXV	41500	13.5	11.5	CR33-30/36	SL280DF090V48B	7618746
XC13N042-230	TXV	41500	14	11.5	CR33-30/36	SL280DF090V60C	7618747
XC13N042-230	TXV	41500	14	11.5	CR33-30/36	SL280DF110V60C	7618748
XC13N042-230	TXV	41000	13.5	11	CR33-30/36	SLP98DF070XV36B	7618609
XC13N042-230	TXV	41500	13.5	11.5	CR33-30/36	SLP98DF090XV36C	7618610
XC13N042-230	TXV	41500	13.5	11.5	CR33-30/36	SLP98DF090XV48C	7618611
XC13N042-230	TXV	41500	13.5	11.5	CR33-30/36	SLP98DF090XV60C	7618612
XC13N042-230	TXV	41500	13.5	11.5	CR33-30/36	SLP98DF110XV60C	7618613
XC13N042-230	TXV	40500	13	11	CR33-30/36		7618651
XC13N042-230	TXV	41000	14	11.5	CR33-48	CBWMV-60C-100	7618697
XC13N042-230	TXV	41000	14	11.5	CR33-48	CBWMV-60C-120	7618698
XC13N042-230	TXV	41000	13	11	CR33-48	EL180DF090E48B	7619790
XC13N042-230	TXV	41500	14	12	CR33-48	EL180DF110E60C	7619794
XC13N042-230	TXV	40500	13.5	11	CR33-48	EL195DF070XE48B	7618844
XC13N042-230	TXV	41000	13.5	11.5	CR33-48	EL195DF090XE48C	7618845
XC13N042-230	TXV	40500	13.5	11	CR33-48	EL296DF070XE48B	7619338
XC13N042-230	TXV	41000	13.5	11.5	CR33-48	EL296DF090XE48C	7619339
XC13N042-230	TXV	41500	14	11.5	CR33-48	EL296DF090XV60C	7618568
XC13N042-230	TXV	41500	14	11.5	CR33-48	EL296DF110XV60C	7618569
XC13N042-230	TXV	41500	14	12	CR33-48	SL280DF090V60C	7618750
XC13N042-230	TXV	41500	14	12	CR33-48	SL280DF110V60C	7618751
XC13N042-230	TXV	41000	13.5	11.5	CR33-48	SLP98DF070XV36B	7618614
XC13N042-230	TXV	41500	13.5	11.5	CR33-48	SLP98DF090XV36C	7618615
XC13N042-230	TXV	41500	14	11.5	CR33-48	SLP98DF090XV48C	7618616
XC13N042-230	TXV	41500	14	11.5	CR33-48	SLP98DF090XV60C	7618617
XC13N042-230	TXV	41500	14	11.5	CR33-48	SLP98DF110XV60C	7618618
XC13N042-230	TXV	40500	13	11	CR33-48		7618652
XC13N042-230	TXV	41500	13.5	11.5	CR33-48B	SL280DF090V48B	7618749
XC13N042-230	TXV	42000	14.5	12.3	CR33-50/60	CBWMV-60C-100	7618665
XC13N042-230	TXV	42000	14.5	12.25	CR33-50/60	CBWMV-60C-120	7618666
XC13N042-230	TXV	43000	14.5	12	CR33-50/60	EL180DF110E60C	7619795
XC13N042-230	TXV	42000	14	11.5	CR33-50/60	EL195DF090XE48C	7618826

NOTES:

TXV = Matched with Thermostatic Expansion Valve.

RFC = Matched with RFC metering device.

AHRI certified to AHRI Standard 210/240 (with 25 ft. of connecting refrigerant lines); 95°F outdoor air temperature, 80°F db / 67°F wb entering evaporator air.

All ratings include the use of a blower time delay relay (TDR). All Lennox variable-speed furnaces and Air Handlers have time delay capabilities. Other Furnaces and Air Handlers may require an optional time delay relay (**58M81**) for field installation. See furnace or air handler specifications to determine if relay is needed.

Also see Expansion Valve Kit Usage Table.

AHRI SYSTEM MATCHES - NORTH REGION

NOTE - For the latest up-to-date system matches please visit the AHRI web site at <http://www.ahridirectory.org>

Model No.	Expansion Device	Capacity	SEER	EER	Coil or Air Handler	Furnace	AHRI Reference
XC13N042-230	TXV	42500	14	11.5	CR33-50/60	EL195DF110XE60C	7618827
XC13N042-230	TXV	42000	14	11.5	CR33-50/60	EL296DF090XE48C	7619302
XC13N042-230	TXV	43000	14.5	12	CR33-50/60	EL296DF090XV60C	7618570
XC13N042-230	TXV	42500	14	11.5	CR33-50/60	EL296DF110XE60C	7619303
XC13N042-230	TXV	43000	14.5	12	CR33-50/60	EL296DF110XV60C	7618571
XC13N042-230	TXV	43000	14.5	12	CR33-50/60	SL280DF090V60C	7618752
XC13N042-230	TXV	43000	14.5	12.5	CR33-50/60	SL280DF110V60C	7618753
XC13N042-230	TXV	42500	14.5	12	CR33-50/60	SLP98DF090XV36C	7618619
XC13N042-230	TXV	43000	14.5	12	CR33-50/60	SLP98DF090XV48C	7618633
XC13N042-230	TXV	43000	14.5	12	CR33-50/60	SLP98DF090XV60C	7618634
XC13N042-230	TXV	43000	14.5	12	CR33-50/60	SLP98DF110XV60C	7618635
XC13N042-230	TXV	41500	13.5	11.5	CR33-50/60		7618653
XC13N042-230	TXV	42000	14.5	12.3	CR33-60	CBWMV-60C-100	7618667
XC13N042-230	TXV	42000	14.5	12.25	CR33-60	CBWMV-60C-120	7618668
XC13N042-230	TXV	41000	13.5	11.5	CX35-30/36B	EL180UH090E48B	8269050
XC13N042-230	TXV	41000	13.5	11.5	CX35-30/36B	EL180UH090XE48B	8269051
XC13N042-230	TXV	40500	13	11	CX35-30/36B	EL296UH070XV36B	8269055
XC13N042-230	TXV	41000	13.5	11.5	CX35-30/36B	SL280UH090V48B	8269053
XC13N042-230	TXV	41000	13.5	11.5	CX35-30/36B	SL280UH090XV48B	8269052
XC13N042-230	TXV	40500	13	11	CX35-30/36B	SLP98UH070XV36B	8269054
XC13N042-230	TXV	40000	13	11	CX35-30/36B		8269049
XC13N042-230	TXV	40500	14	11.5	CX35-30/36C	CBWMV-60C-100	8269039
XC13N042-230	TXV	40500	14	11.5	CX35-30/36C	CBWMV-60C-120	8269040
XC13N042-230	TXV	41000	14	11.5	CX35-30/36C	EL180UH090E60C	8269032
XC13N042-230	TXV	40500	14	11.5	CX35-30/36C	EL180UH110E60C	8269034
XC13N042-230	TXV	40500	14	11.5	CX35-30/36C	EL180UH110XE60C	8269033
XC13N042-230	TXV	40500	13.5	11.5	CX35-30/36C	EL296UH090XV36C	8269045
XC13N042-230	TXV	41000	14	11.5	CX35-30/36C	EL296UH090XV48C	8269046
XC13N042-230	TXV	41000	13.5	11.5	CX35-30/36C	EL296UH090XV60C	8269047
XC13N042-230	TXV	41000	14	11.5	CX35-30/36C	EL296UH110XV60C	8269048
XC13N042-230	TXV	41000	14	11.5	CX35-30/36C	SL280UH090V60C	8269037
XC13N042-230	TXV	41000	14	11.5	CX35-30/36C	SL280UH090XV60C	8269035
XC13N042-230	TXV	41000	14	11.5	CX35-30/36C	SL280UH110V60C	8269038
XC13N042-230	TXV	41000	14	11.5	CX35-30/36C	SL280UH110XV60C	8269036
XC13N042-230	TXV	40500	13.5	11.5	CX35-30/36C	SLP98UH090XV36C	8269041
XC13N042-230	TXV	41000	14	11.5	CX35-30/36C	SLP98UH090XV48C	8269042
XC13N042-230	TXV	41000	13.5	11.5	CX35-30/36C	SLP98UH090XV60C	8269043
XC13N042-230	TXV	41000	14	11.5	CX35-30/36C	SLP98UH110XV60C	8269044
XC13N042-230	TXV	40000	13	11	CX35-30/36C		8269031
XC13N042-230	TXV	42000	14	12	CX35-30B	EL180UH090E48B	8269025
XC13N042-230	TXV	42000	14	12	CX35-30B	EL180UH090XE48B	8269026
XC13N042-230	TXV	42000	13.5	11.5	CX35-30B	EL296UH070XV36B	8269030
XC13N042-230	TXV	42500	14	12	CX35-30B	SL280UH090V48B	8269028
XC13N042-230	TXV	42500	14	12	CX35-30B	SL280UH090XV48B	8269027
XC13N042-230	TXV	42000	13.5	11.5	CX35-30B	SLP98UH070XV36B	8269029
XC13N042-230	TXV	41500	13	11	CX35-30B		8269024
XC13N042-230	TXV	42500	14.5	12.35	CX35-48C	CBWMV-60C-100	8269070
XC13N042-230	TXV	43000	14.5	12	CX35-48C	CBWMV-60C-120	8269071
XC13N042-230	TXV	43000	14.5	12	CX35-48C	EL180UH090E60C	8269059

NOTES:

TXV = Matched with Thermostatic Expansion Valve.

RFC = Matched with RFC metering device.

AHRI certified to AHRI Standard 210/240 (with 25 ft. of connecting refrigerant lines); 95°F outdoor air temperature, 80°F db / 67°F wb entering evaporator air.

All ratings include the use of a blower time delay relay (TDR). All Lennox variable-speed furnaces and Air Handlers have time delay capabilities. Other Furnaces and Air Handlers may require an optional time delay relay (**58M81**) for field installation. See furnace or air handler specifications to determine if relay is needed.

Also see Expansion Valve Kit Usage Table.

AHRI SYSTEM MATCHES - NORTH REGION

NOTE - For the latest up-to-date system matches please visit the AHRI web site at <http://www.ahridirectory.org>

Model No.	Expansion Device	Capacity	SEER	EER	Coil or Air Handler	Furnace	AHRI Reference
XC13N042-230	TXV	43000	14.5	12	CX35-48C	EL180UH110E60C	8269061
XC13N042-230	TXV	43000	14.5	12	CX35-48C	EL180UH110XE60C	8269060
XC13N042-230	TXV	42500	14	12	CX35-48C	EL195UH090XE48C	8269064
XC13N042-230	TXV	43000	14	12	CX35-48C	EL195UH110XE60C	8269065
XC13N042-230	TXV	42500	14	12	CX35-48C	EL296UH090XE48C	8269062
XC13N042-230	TXV	43000	14.5	12	CX35-48C	EL296UH090XV36C	8269076
XC13N042-230	TXV	43000	14.5	12	CX35-48C	EL296UH090XV48C	8269077
XC13N042-230	TXV	43500	14.5	12	CX35-48C	EL296UH090XV60C	8269078
XC13N042-230	TXV	43000	14	12	CX35-48C	EL296UH110XE60C	8269063
XC13N042-230	TXV	43500	14.5	12.5	CX35-48C	EL296UH110XV60C	8269079
XC13N042-230	TXV	43500	15	12.5	CX35-48C	SL280UH090V60C	8269068
XC13N042-230	TXV	43500	15	12.5	CX35-48C	SL280UH090XV60C	8269066
XC13N042-230	TXV	43500	14.5	12.5	CX35-48C	SL280UH110V60C	8269069
XC13N042-230	TXV	43500	14.5	12.5	CX35-48C	SL280UH110XV60C	8269067
XC13N042-230	TXV	42000	14	11.5	CX35-48C	SLO185B124/141V60	8269057
XC13N042-230	TXV	42000	14	11.5	CX35-48C	SLO185UF124/141V60	8269058
XC13N042-230	TXV	43000	14.5	12	CX35-48C	SLP98UH090XV36C	8269074
XC13N042-230	TXV	43000	14.5	12	CX35-48C	SLP98UH090XV48C	8269075
XC13N042-230	TXV	43500	14.5	12	CX35-48C	SLP98UH090XV60C	8269072
XC13N042-230	TXV	43500	14.5	12.5	CX35-48C	SLP98UH110XV60C	8269073
XC13N042-230	TXV	42000	13.5	11.5	CX35-48C		8269056
XC13N042-230	TXV	43000	14.5	12.5	CX35-49C	CBWMV-60C-100	8269094
XC13N042-230	TXV	43500	14.5	12.5	CX35-49C	CBWMV-60C-120	8269095
XC13N042-230	TXV	44000	15	12.5	CX35-49C	EL180UH090E60C	8269084
XC13N042-230	TXV	43500	15	12.5	CX35-49C	EL180UH110E60C	8269085
XC13N042-230	TXV	43500	15	12.5	CX35-49C	EL180UH110XE60C	8269083
XC13N042-230	TXV	43000	14	12	CX35-49C	EL195UH090XE48C	8269088
XC13N042-230	TXV	43500	14	12	CX35-49C	EL195UH110XE60C	8269089
XC13N042-230	TXV	43000	14	12	CX35-49C	EL296UH090XE48C	8269086
XC13N042-230	TXV	43500	14.5	12	CX35-49C	EL296UH090XV36C	8269100
XC13N042-230	TXV	43500	14.5	12	CX35-49C	EL296UH090XV48C	8269101
XC13N042-230	TXV	44000	14.5	12	CX35-49C	EL296UH090XV60C	8269102
XC13N042-230	TXV	43500	14	12	CX35-49C	EL296UH110XE60C	8269087
XC13N042-230	TXV	44000	14.5	12.5	CX35-49C	EL296UH110XV60C	8269103
XC13N042-230	TXV	44000	15	12.5	CX35-49C	SL280UH090V60C	8269093
XC13N042-230	TXV	44000	15	12.5	CX35-49C	SL280UH090XV60C	8269090
XC13N042-230	TXV	44000	15	12.5	CX35-49C	SL280UH110V60C	8269092
XC13N042-230	TXV	44000	15	12.5	CX35-49C	SL280UH110XV60C	8269091
XC13N042-230	TXV	42500	14	11.5	CX35-49C	SLO185B124/141V60	8269081
XC13N042-230	TXV	42500	14	11.5	CX35-49C	SLO185UF124/141V60	8269082
XC13N042-230	TXV	43500	14.5	12	CX35-49C	SLP98UH090XV36C	8269098
XC13N042-230	TXV	43500	14.5	12	CX35-49C	SLP98UH090XV48C	8269099
XC13N042-230	TXV	44000	14.5	12	CX35-49C	SLP98UH090XV60C	8269096
XC13N042-230	TXV	44000	14.5	12.5	CX35-49C	SLP98UH110XV60C	8269097
XC13N042-230	TXV	42000	13.5	11.5	CX35-49C		8269080
XC13N042-230	TXV	42500	14.5	12	CX35-50/60C	CBWMV-60C-100	8269118
XC13N042-230	TXV	42500	14.5	12	CX35-50/60C	CBWMV-60C-120	8269119
XC13N042-230	TXV	43000	14.5	12	CX35-50/60C	EL180UH090E60C	8269107
XC13N042-230	TXV	42500	14.5	12	CX35-50/60C	EL180UH110E60C	8269109

NOTES:

TXV = Matched with Thermostatic Expansion Valve.

RFC = Matched with RFC metering device.

AHRI certified to AHRI Standard 210/240 (with 25 ft. of connecting refrigerant lines); 95°F outdoor air temperature, 80°F db / 67°F wb entering evaporator air.

All ratings include the use of a blower time delay relay (TDR). All Lennox variable-speed furnaces and Air Handlers have time delay capabilities. Other Furnaces and Air Handlers may require an optional time delay relay (**58M81**) for field installation. See furnace or air handler specifications to determine if relay is needed.

Also see Expansion Valve Kit Usage Table.

AHRI SYSTEM MATCHES - NORTH REGION

NOTE - For the latest up-to-date system matches please visit the AHRI web site at <http://www.ahridirectory.org>

Model No.	Expansion Device	Capacity	SEER	EER	Coil or Air Handler	Furnace	AHRI Reference
XC13N042-230	TXV	42500	14.5	12	CX35-50/60C	EL180UH110XE60C	8269108
XC13N042-230	TXV	42000	14	11.5	CX35-50/60C	EL195UH090XE48C	8269112
XC13N042-230	TXV	42500	14	11.5	CX35-50/60C	EL195UH110XE60C	8269113
XC13N042-230	TXV	42000	14	11.5	CX35-50/60C	EL296UH090XE48C	8269111
XC13N042-230	TXV	42500	14	12	CX35-50/60C	EL296UH090XV36C	8269126
XC13N042-230	TXV	42500	14.5	12	CX35-50/60C	EL296UH090XV48C	8269127
XC13N042-230	TXV	43000	14	12	CX35-50/60C	EL296UH090XV60C	8269125
XC13N042-230	TXV	42500	14	11.5	CX35-50/60C	EL296UH110XE60C	8269110
XC13N042-230	TXV	43000	14.5	12	CX35-50/60C	EL296UH110XV60C	8269124
XC13N042-230	TXV	43000	14.5	12	CX35-50/60C	SL280UH090V60C	8269117
XC13N042-230	TXV	43000	14.5	12	CX35-50/60C	SL280UH090XV60C	8269114
XC13N042-230	TXV	43000	14.5	12	CX35-50/60C	SL280UH110V60C	8269116
XC13N042-230	TXV	43000	14.5	12	CX35-50/60C	SL280UH110XV60C	8269115
XC13N042-230	TXV	42500	14.5	12	CX35-50/60C	SLO185B124/141V60	8269105
XC13N042-230	TXV	42500	14.5	12	CX35-50/60C	SLO185UF124/141V60	8269106
XC13N042-230	TXV	42500	14	12	CX35-50/60C	SLP98UH090XV36C	8269120
XC13N042-230	TXV	42500	14.5	12	CX35-50/60C	SLP98UH090XV48C	8269121
XC13N042-230	TXV	43000	14	12	CX35-50/60C	SLP98UH090XV60C	8269122
XC13N042-230	TXV	43000	14.5	12	CX35-50/60C	SLP98UH110XV60C	8269123
XC13N042-230	TXV	42000	13.5	11.5	CX35-50/60C		8269104
XC13N042-230	TXV	43500	14.5	12	CX35-60C	SLO185B124/141V60	8269187
XC13N042-230	TXV	43500	14.5	12	CX35-60C	SLO185UF124/141V60	8269188
XC13N042-230	TXV	42500	14.5	11.5	CX35-60D	SLO185B124/141V60	8269189
XC13N042-230	TXV	42500	14.5	11.5	CX35-60D	SLO185UF124/141V60	8269190
XC13N042-230	TXV	41500	13	11	CX35-60D		9546332
XC13N042-230	TXV	40000	13	11	CX38-42B		10558567
XC13N048-230	RFC	48500	13	10.7	C35-49C		8630508
XC13N048-230	RFC	49500	13	10.7	C35-60C		8630510
XC13N048-230	RFC	49000	13	10.7	C35-60D		8630512
XC13N048-230	RFC	49000	13	11	CH23-68		7619058
XC13N048-230	RFC	48500	13	11	CH33-43		7619059
XC13N048-230	RFC	49000	13	11	CH33-49		7619061
XC13N048-230	RFC	49000	13	11	CH33-50/60C		7619062
XC13N048-230	RFC	48500	13	11	CH33-60D		7619063
XC13N048-230	RFC	49000	13	11	CH33-62D		7619064
XC13N048-230	TXV	48000	13	11	C35-36B	EL180UH090E48B	8269191
XC13N048-230	TXV	48000	13	11	C35-36B	EL180UH090XE48B	8269192
XC13N048-230	TXV	48000	13	11	C35-36B	SL280UH090V48B	8269194
XC13N048-230	TXV	48000	13	11	C35-36B	SL280UH090XV48B	8269193
XC13N048-230	TXV	48500	13	11	C35-48C		8269195
XC13N048-230	TXV	49000	14	11.7	C35-49C	EL180UH090E60C	8269199
XC13N048-230	TXV	49000	14	11.7	C35-49C	EL180UH110E60C	8269201
XC13N048-230	TXV	49000	14	11.7	C35-49C	EL180UH110XE60C	8269200
XC13N048-230	TXV	49000	14	11.7	C35-49C	EL195UH110XE60C	8269203
XC13N048-230	TXV	49000	14	11.7	C35-49C	EL296UH110XE60C	8269202
XC13N048-230	TXV	49500	14	11.7	C35-49C	SL280UH090V60C	8269197
XC13N048-230	TXV	49500	14	11.7	C35-49C	SL280UH090XV60C	8269204
XC13N048-230	TXV	49500	14	11.7	C35-49C	SL280UH110V60C	8269198
XC13N048-230	TXV	49500	14	11.7	C35-49C	SL280UH110XV60C	8269196

NOTES:

TXV = Matched with Thermostatic Expansion Valve.

RFC = Matched with RFC metering device.

AHRI certified to AHRI Standard 210/240 (with 25 ft. of connecting refrigerant lines); 95°F outdoor air temperature, 80°F db / 67°F wb entering evaporator air.

All ratings include the use of a blower time delay relay (TDR). All Lennox variable-speed furnaces and Air Handlers have time delay capabilities. Other Furnaces and Air Handlers may require an optional time delay relay (**58M81**) for field installation. See furnace or air handler specifications to determine if relay is needed.

Also see Expansion Valve Kit Usage Table.

AHRI SYSTEM MATCHES - NORTH REGION

NOTE - For the latest up-to-date system matches please visit the AHRI web site at <http://www.ahridirectory.org>

Model No.	Expansion Device	Capacity	SEER	EER	Coil or Air Handler	Furnace	AHRI Reference
XC13N048-230	TXV	47500	13	11	C35-50/60C		8269205
XC13N048-230	TXV	50000	14	11.7	C35-60C	EL180UH090E60C	8269207
XC13N048-230	TXV	50000	14	11.7	C35-60C	EL180UH110E60C	8269209
XC13N048-230	TXV	50000	14	11.7	C35-60C	EL180UH110XE60C	8269208
XC13N048-230	TXV	50000	14	11.7	C35-60C	EL195UH090XE48C	8269206
XC13N048-230	TXV	50000	14	11.7	C35-60C	EL195UH110XE60C	8269218
XC13N048-230	TXV	50000	14	11.7	C35-60C	EL296UH090XE48C	8269211
XC13N048-230	TXV	50000	14	11.7	C35-60C	EL296UH090XV48C	8269219
XC13N048-230	TXV	50000	14	11.7	C35-60C	EL296UH090XV60C	8269220
XC13N048-230	TXV	50000	14	11.7	C35-60C	EL296UH110XE60C	8269210
XC13N048-230	TXV	50000	14	11.7	C35-60C	EL296UH110XV48C	8269221
XC13N048-230	TXV	50000	14	11.7	C35-60C	EL296UH110XV60C	8269222
XC13N048-230	TXV	50000	14	11.7	C35-60C	SL280UH090V60C	8269213
XC13N048-230	TXV	50000	14	11.7	C35-60C	SL280UH090XV60C	8269223
XC13N048-230	TXV	50000	14	11.7	C35-60C	SL280UH110V60C	8269214
XC13N048-230	TXV	50000	14	11.7	C35-60C	SL280UH110XV60C	8269212
XC13N048-230	TXV	49500	14	11.7	C35-60C	SLP98UH090XV48C	8269215
XC13N048-230	TXV	50000	14	11.7	C35-60C	SLP98UH090XV60C	8269216
XC13N048-230	TXV	50000	14	11.7	C35-60C	SLP98UH110XV60C	8269217
XC13N048-230	TXV	49500	14	11.7	C35-60D	EL180UH135E60D	8269224
XC13N048-230	TXV	50000	14	11.7	C35-60D	EL296UH135XV60D	8269227
XC13N048-230	TXV	49500	14	11.7	C35-60D	SL280UH135V60D	8269225
XC13N048-230	TXV	49000	14	11.7	C35-60D	SLP98UH135XV60D	8269226
XC13N048-230	TXV	49000	13	11	CBA27UHE-048		10259492
XC13N048-230	TXV	49000	13	11	CBA27UHE-060		10259493
XC13N048-230	TXV	49500	13	11	CBX25UH-048		7619787
XC13N048-230	TXV	48000	14	12.2	CBX25UHV-048		7622686
XC13N048-230	TXV	49500	13	11	CBX27UH-048		7619050
XC13N048-230	TXV	49500	13	11	CBX27UH-060		7619051
XC13N048-230	TXV	49000	13	11	CBX32M-048		7619045
XC13N048-230	TXV	49500	13	11	CBX32M-060		7619046
XC13N048-230	TXV	49000	13	11	CBX32MV-048		7619052
XC13N048-230	TXV	49500	13	11	CBX32MV-060		7619053
XC13N048-230	TXV	49000	13	11	CBX40UHV-048		7619054
XC13N048-230	TXV	49500	13	11	CBX40UHV-060		7619055
XC13N048-230	TXV	47000	13	11	CH23-51	EL180UH090E60C	7620818
XC13N048-230	TXV	47000	13	11	CH23-51	EL180UH110E60C	7620443
XC13N048-230	TXV	47000	13	11	CH23-51	EL296UH110XV48C	7619056
XC13N048-230	TXV	48000	13	11	CH23-65	EL180UH090E60C	7620820
XC13N048-230	TXV	48000	13	11	CH23-65	EL180UH110E60C	7620444
XC13N048-230	TXV	47500	13	11	CH23-65	EL296UH110XV48C	7619057
XC13N048-230	TXV	50000	14	11.7	CH23-68	EL180UH135E60D	7620839
XC13N048-230	TXV	49000	13	11	CH23-68		7619097
XC13N048-230	TXV	48500	13	11	CH33-43		7619098
XC13N048-230	TXV	48000	13	11	CH33-44/48B	EL180UH090E48B	7620605
XC13N048-230	TXV	48000	13	11	CH33-48C		7619060
XC13N048-230	TXV	49000	14	11.7	CH33-49	EL180UH090E60C	7620821
XC13N048-230	TXV	49000	14	11.7	CH33-49	EL180UH110E60C	7620445
XC13N048-230	TXV	49000	14	11.7	CH33-49	EL180UH110XE60C	7620677

NOTES:

TXV = Matched with Thermostatic Expansion Valve.

RFC = Matched with RFC metering device.

AHRI certified to AHRI Standard 210/240 (with 25 ft. of connecting refrigerant lines); 95°F outdoor air temperature, 80°F db / 67°F wb entering evaporator air.

All ratings include the use of a blower time delay relay (TDR). All Lennox variable-speed furnaces and Air Handlers have time delay capabilities. Other Furnaces and Air Handlers may require an optional time delay relay (**58M81**) for field installation. See furnace or air handler specifications to determine if relay is needed.

Also see Expansion Valve Kit Usage Table.

AHRI SYSTEM MATCHES - NORTH REGION

NOTE - For the latest up-to-date system matches please visit the AHRI web site at <http://www.ahridirectory.org>

Model No.	Expansion Device	Capacity	SEER	EER	Coil or Air Handler	Furnace	AHRI Reference
XC13N048-230	TXV	49000	13	11	CH33-49		7619099
XC13N048-230	TXV	49000	13	11	CH33-50/60C		7619100
XC13N048-230	TXV	48500	13	11	CH33-60D		7619106
XC13N048-230	TXV	48500	13	11	CH33-60D		7619105
XC13N048-230	TXV	49500	14	11.7	CH33-62D	EL180UH135E60D	7620841
XC13N048-230	TXV	49000	14	11.7	CH33-62D	SL280UH135V60D	7619065
XC13N048-230	TXV	48500	14	11.7	CH33-62D	SLP98UH135XV60D	7619066
XC13N048-230	TXV	49000	13	11	CH33-62D		7619101
XC13N048-230	TXV	48000	13	11	CH35-42B		7624380
XC13N048-230	TXV	48000	13	11.5	CH35-42C	EL195UH090XE48C	7624383
XC13N048-230	TXV	48000	13	11.7	CH35-42C	EL195UH110XE60C	7624385
XC13N048-230	TXV	48000	13	11.5	CH35-42C	EL296UH090XV48C	7624389
XC13N048-230	TXV	48000	13	11.5	CH35-42C	EL296UH090XV60C	7624387
XC13N048-230	TXV	48000	13	11.5	CH35-42C	EL296UH110XV48C	7624390
XC13N048-230	TXV	48000	13	11.5	CH35-42C	EL296UH110XV60C	7624392
XC13N048-230	TXV	48000	13	11.7	CH35-42C	SL280UH090V60C	7624397
XC13N048-230	TXV	48000	13	11.7	CH35-42C	SL280UH110V60C	7624399
XC13N048-230	TXV	48000	13	11.5	CH35-42C	SLP98UH090XV48C	7624401
XC13N048-230	TXV	48000	13	11.5	CH35-42C	SLP98UH090XV60C	7624403
XC13N048-230	TXV	48000	13	11.5	CH35-42C	SLP98UH110XV60C	7624404
XC13N048-230	TXV	48000	13	11	CH35-42C		7624382
XC13N048-230	TXV	48000	13	11.5	CH35-48B	EL180UH090E48B	7624406
XC13N048-230	TXV	48000	13	11.7	CH35-48C	EL180UH090E60C	7624394
XC13N048-230	TXV	48000	13	11.7	CH35-48C	EL180UH110E60C	7624396
XC13N048-230	TXV	48000	13	11.7	CH35-48C	EL180UH110XE60C	7624415
XC13N048-230	TXV	48000	13	11.5	CH35-48C	EL195UH090XE48C	7624410
XC13N048-230	TXV	48000	13	11.5	CH35-48C	EL195UH110XE60C	7624411
XC13N048-230	TXV	48000	13	11	CH35-48C	EL296UH090XV48C	7624413
XC13N048-230	TXV	48000	13	11.7	CH35-48C	SL280UH090V60C	7624417
XC13N048-230	TXV	48000	13	11.7	CH35-48C	SL280UH090XV60C	7624418
XC13N048-230	TXV	48000	13	11.5	CH35-48C	SL280UH110V60C	7624420
XC13N048-230	TXV	48000	13	11.5	CH35-48C	SL280UH110XV60C	7624422
XC13N048-230	TXV	48000	13	11	CH35-48C	SLP98UH090XV48C	7624424
XC13N048-230	TXV	48000	13	11	CH35-48C	SLP98UH090XV60C	7624425
XC13N048-230	TXV	48000	13	11	CH35-48C	SLP98UH110XV60C	7624427
XC13N048-230	TXV	48000	13	11	CH35-48C		7624408
XC13N048-230	TXV	48000	13	11.7	CH35-51C	EL180UH090E60C	7624441
XC13N048-230	TXV	48000	14	12	CH35-51C	EL180UH110E60C	7624443
XC13N048-230	TXV	48000	14	12	CH35-51C	EL180UH110XE60C	7624444
XC13N048-230	TXV	48000	13	11.7	CH35-51C	EL195UH090XE48C	7624431
XC13N048-230	TXV	48000	13	11.7	CH35-51C	EL195UH110XE60C	7624432
XC13N048-230	TXV	48000	13	11.5	CH35-51C	EL296UH090XV48C	7624436
XC13N048-230	TXV	48000	13	11.5	CH35-51C	EL296UH090XV60C	7624434
XC13N048-230	TXV	48000	13	11.7	CH35-51C	EL296UH110XV48C	7624439
XC13N048-230	TXV	48000	13	11.5	CH35-51C	EL296UH110XV60C	7624438
XC13N048-230	TXV	48000	13	11.7	CH35-51C	SL280UH090V60C	7624446
XC13N048-230	TXV	48000	13	11.7	CH35-51C	SL280UH090XV60C	7624448
XC13N048-230	TXV	48000	13	11.7	CH35-51C	SL280UH110V60C	7624449
XC13N048-230	TXV	48000	13	11.7	CH35-51C	SL280UH110XV60C	7624451

NOTES:

TXV = Matched with Thermostatic Expansion Valve.

RFC = Matched with RFC metering device.

AHRI certified to AHRI Standard 210/240 (with 25 ft. of connecting refrigerant lines); 95°F outdoor air temperature, 80°F db / 67°F wb entering evaporator air.

All ratings include the use of a blower time delay relay (TDR). All Lennox variable-speed furnaces and Air Handlers have time delay capabilities. Other Furnaces and Air Handlers may require an optional time delay relay (**58M81**) for field installation. See furnace or air handler specifications to determine if relay is needed.

Also see Expansion Valve Kit Usage Table.

AHRI SYSTEM MATCHES - NORTH REGION

NOTE - For the latest up-to-date system matches please visit the AHRI web site at <http://www.ahridirectory.org>

Model No.	Expansion Device	Capacity	SEER	EER	Coil or Air Handler	Furnace	AHRI Reference
XC13N048-230	TXV	48000	13	11.5	CH35-51C	SLP98UH090XV48C	7624453
XC13N048-230	TXV	48000	13	11.5	CH35-51C	SLP98UH090XV60C	7624454
XC13N048-230	TXV	48000	13	11.5	CH35-51C	SLP98UH110XV60C	7624456
XC13N048-230	TXV	48000	13	11	CH35-51C		7624429
XC13N048-230	TXV	48000	14	11.7	CH35-60D	EL180UH135E60D	7624463
XC13N048-230	TXV	48000	13	11.7	CH35-60D	EL195UH135XE60D	7624459
XC13N048-230	TXV	48000	13	11.7	CH35-60D	EL296UH135XV60D	7624461
XC13N048-230	TXV	48000	14	11.7	CH35-60D	SL280UH135V60D	7624464
XC13N048-230	TXV	48000	14	11.7	CH35-60D	SLP98UH135XV60D	7624466
XC13N048-230	TXV	48000	13	11	CH35-60D		7624458
XC13N048-230	TXV	48000	13	11	CR33-50/60		7619067
XC13N048-230	TXV	48000	13	11	CR33-60		7619068
XC13N048-230	TXV	48500	13	11	CX35-48B		8269257
XC13N048-230	TXV	49000	14	11.7	CX35-49C	EL180UH090E60C	8269229
XC13N048-230	TXV	49000	14	11.7	CX35-49C	EL180UH110E60C	8269231
XC13N048-230	TXV	49000	14	11.7	CX35-49C	EL180UH110XE60C	8269230
XC13N048-230	TXV	49000	14	11.7	CX35-49C	EL195UH110XE60C	8269233
XC13N048-230	TXV	49000	14	11.7	CX35-49C	EL296UH110XE60C	8269232
XC13N048-230	TXV	49500	14	11.7	CX35-49C	SL280UH090V60C	8269236
XC13N048-230	TXV	49500	14	11.7	CX35-49C	SL280UH090XV60C	8269234
XC13N048-230	TXV	49500	14	11.7	CX35-49C	SL280UH110V60C	8269237
XC13N048-230	TXV	49500	14	11.7	CX35-49C	SL280UH110XV60C	8269235
XC13N048-230	TXV	49000	13	11	CX35-49C		8269228
XC13N048-230	TXV	50000	14	11.7	CX35-60C	EL180UH090E60C	8269239
XC13N048-230	TXV	50000	14	11.7	CX35-60C	EL180UH110E60C	8269241
XC13N048-230	TXV	50000	14	11.7	CX35-60C	EL180UH110XE60C	8269240
XC13N048-230	TXV	50000	14	11.7	CX35-60C	EL195UH090XE48C	8269253
XC13N048-230	TXV	50000	14	11.7	CX35-60C	EL195UH110XE60C	8269254
XC13N048-230	TXV	50000	14	11.7	CX35-60C	EL296UH090XE48C	8269242
XC13N048-230	TXV	50000	14	11.7	CX35-60C	EL296UH090XV48C	8269255
XC13N048-230	TXV	50000	14	11.7	CX35-60C	EL296UH090XV60C	8269256
XC13N048-230	TXV	50000	14	11.7	CX35-60C	EL296UH110XE60C	8269243
XC13N048-230	TXV	50000	14	11.7	CX35-60C	EL296UH110XV48C	8269247
XC13N048-230	TXV	50000	14	11.7	CX35-60C	EL296UH110XV60C	8269248
XC13N048-230	TXV	50000	14	11.7	CX35-60C	SL280UH090V60C	8269251
XC13N048-230	TXV	50000	14	11.7	CX35-60C	SL280UH090XV60C	8269249
XC13N048-230	TXV	50000	14	11.7	CX35-60C	SL280UH110V60C	8269252
XC13N048-230	TXV	50000	14	11.7	CX35-60C	SL280UH110XV60C	8269250
XC13N048-230	TXV	49500	14	11.7	CX35-60C	SLP98UH090XV48C	8269244
XC13N048-230	TXV	50000	14	11.7	CX35-60C	SLP98UH090XV60C	8269245
XC13N048-230	TXV	50000	14	11.7	CX35-60C	SLP98UH110XV60C	8269246
XC13N048-230	TXV	50000	13	11	CX35-60C		8269238
XC13N048-230	TXV	49500	14	11.7	CX35-60D	EL180UH135E60D	9961907
XC13N048-230	TXV	50000	14	11.7	CX35-60D	EL296UH135XV60D	9961910
XC13N048-230	TXV	49500	14	11.7	CX35-60D	SL280UH135V60D	9961908
XC13N048-230	TXV	49000	14	11.7	CX35-60D	SLP98UH135XV60D	9961909
XC13N048-230	TXV	49000	13	11	CX35-60D		9961906
XC13N048-230	TXV	49000	13	11	CX38-49C		10558704
XC13N060-230	RFC	57000	13	10.7	C35-49C		8630515

NOTES:

TXV = Matched with Thermostatic Expansion Valve.

RFC = Matched with RFC metering device.

AHRI certified to AHRI Standard 210/240 (with 25 ft. of connecting refrigerant lines); 95°F outdoor air temperature, 80°F db / 67°F wb entering evaporator air.

All ratings include the use of a blower time delay relay (TDR). All Lennox variable-speed furnaces and Air Handlers have time delay capabilities. Other Furnaces and Air Handlers may require an optional time delay relay (**58M81**) for field installation. See furnace or air handler specifications to determine if relay is needed.

Also see Expansion Valve Kit Usage Table.

AHRI SYSTEM MATCHES - NORTH REGION

NOTE - For the latest up-to-date system matches please visit the AHRI web site at <http://www.ahridirectory.org>

Model No.	Expansion Device	Capacity	SEER	EER	Coil or Air Handler	Furnace	AHRI Reference
XC13N060-230	RFC	56000	13	10.5	C35-60C		8630517
XC13N060-230	RFC	57000	13	10.5	C35-60D		8630519
XC13N060-230	TXV	57500	13	11	C35-49C		8268794
XC13N060-230	TXV	59000	13	11	C35-60C		8268795
XC13N060-230	TXV	58000	13	11	C35-60D		8268796
XC13N060-230	TXV	57500	13	11	CBA27UHE-060		10259494
XC13N060-230	TXV	58500	13	11	CBX25UH-060		7619788
XC13N060-230	TXV	58000	13.5	11.5	CBX25UHV-060		7622688
XC13N060-230	TXV	57500	13	11	CBX27UH-060		7618994
XC13N060-230	TXV	56000	13	11	CBX32M-048		7618995
XC13N060-230	TXV	57000	13	11	CBX32M-060		7618996
XC13N060-230	TXV	57000	13	11	CBX32MV-048		7618997
XC13N060-230	TXV	57500	13	11	CBX32MV-060		7619006
XC13N060-230	TXV	57000	13	11	CBX32MV-068		7619007
XC13N060-230	TXV	57000	13	11	CBX40UHV-048		7619008
XC13N060-230	TXV	57500	13	11	CBX40UHV-060		7619009
XC13N060-230	TXV	58000	13	11	CH23-68		7619002
XC13N060-230	TXV	58000	13	11	CH23-68		7619010
XC13N060-230	TXV	57500	13	11	CH33-50/60C		7619011
XC13N060-230	TXV	57500	13	11	CH33-50/60C		7619003
XC13N060-230	TXV	57000	13	11	CH33-60D		7619004
XC13N060-230	TXV	57000	13	11	CH33-60D		7619012
XC13N060-230	TXV	57000	13	11	CH33-62D		7619013
XC13N060-230	TXV	57000	13	11	CH33-62D		7619005
XC13N060-230	TXV	58000	13	11	CH35-51C		7624468
XC13N060-230	TXV	57500	13	11	CH35-60D		7624469
XC13N060-230	TXV	56000	13	11	CR33-60D		7619015
XC13N060-230	TXV	57500	13	11	CX35-49C		8268797
XC13N060-230	TXV	59000	13	11	CX35-60C		8268798
XC13N060-230	TXV	58000	13	11	CX35-60D		8268799
XC13N060-230	TXV	57500	13	11	CX38-49C		10558732

NOTES:

TXV = Matched with Thermostatic Expansion Valve.

RFC = Matched with RFC metering device.

AHRI certified to AHRI Standard 210/240 (with 25 ft. of connecting refrigerant lines); 95°F outdoor air temperature, 80°F db / 67°F wb entering evaporator air.

All ratings include the use of a blower time delay relay (TDR). All Lennox variable-speed furnaces and Air Handlers have time delay capabilities. Other Furnaces and Air Handlers may require an optional time delay relay (**58M81**) for field installation. See furnace or air handler specifications to determine if relay is needed.

Also see Expansion Valve Kit Usage Table.

REVISIONS

Sections	Description of Change
AHRI System Matches	Updated



Visit us at www.lennox.com

For the latest technical information, www.LennoxPros.com

Contact us at 1-800-4-LENNOX

NOTE - Due to Lennox' ongoing commitment to quality, Specifications, Ratings and Dimensions subject to change without notice and without incurring liability. Improper installation, adjustment, alteration, service or maintenance can cause property damage or personal injury. Installation and service must be performed by a qualified installer and servicing agency.

©2017 Lennox Industries, Inc.