

**AIR CONDITIONERS**

**XC15**

**DAVE LENNOX SIGNATURE® COLLECTION**  
**R-410A - SilentComfort™ Technology**



**ENGINEERING DATA**

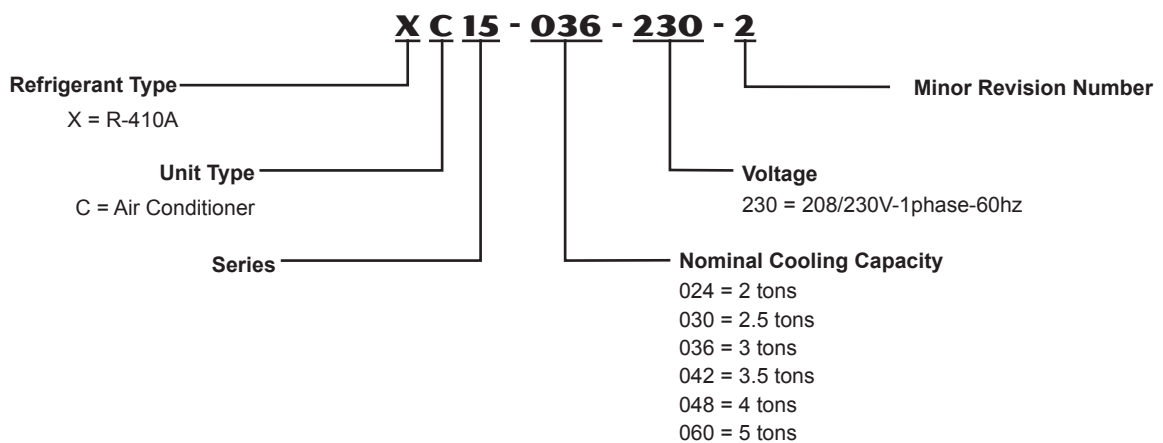
Bulletin No. 210456  
November 2009  
Supersedes October 2009



**SEER up to 16.70**  
**2 to 5 Tons**

**Cooling Capacity - 22,000 to 56,000 Btuh**

**MODEL NUMBER IDENTIFICATION**



## FEATURES

### CONTENTS

AHRI System Matches.....	8
Dimensions .....	6
Electrical Data .....	5
Features.....	2
Field Wiring.....	7
Installation Clearances .....	7
Model Number Identification.....	1
Optional Accessories .....	5
Outdoor Sound Data .....	7
Specifications .....	5

### EQUIPMENT WARRANTY

**Compressor** - limited warranty for **ten years** in residential installations and five years in non-residential installations.

**All other covered components** - **ten years** in residential installations and one year in non-residential installations.

Refer to Lennox Equipment Limited Warranty certificate included with unit for specific details.

### APPLICATIONS

SEER up to 16.70.

2 through 5 ton.

Sound levels as low as 63 dB.

Single phase power supply.

Vertical air discharge allows concealment behind shrubs at grade level or out of sight on a roof.

Matching add-on furnace indoor coils or air handlers provide a wide range of cooling capacities and applications. See AHRI System Matches.

See Indoor Coils and Air Handlers tab sections for data. Units shipped completely factory assembled, piped, and wired. Each unit is test operated at the factory insuring proper operation.

Installer must set air conditioner, connect refrigerant lines, and make electrical connections to complete job.

### APPROVALS

Certified in accordance with USE certification program which is based on AHRI Standard 210/240-2008.

Sound rated in Lennox reverberant sound test room in accordance with test conditions included in AHRI Standard 270-2008.

Tested in the Lennox Research Laboratory environmental test room.

Rated according to U.S. Department of Energy (DOE) test procedures.

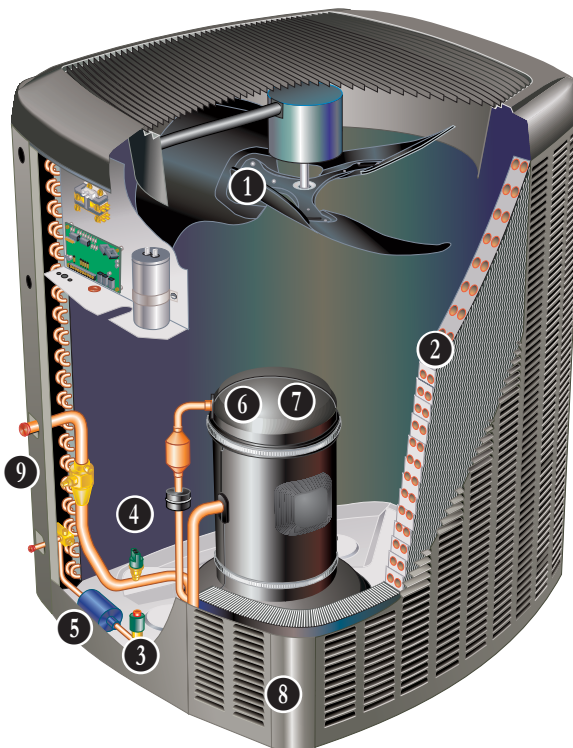
Air conditioners and components within bonded for grounding to meet safety standards for servicing required by UL and CEC.

Units are UL and ULC listed.

ISO 9001 Registered Manufacturing Quality System.

ENERGY STAR® certified units are designed to use less energy, help save money on utility bills, and help protect the environment. Many Lennox home comfort systems meet ENERGY STAR requirements when used with matching components.

For expanded ratings, see [www.lennox.com](http://www.lennox.com).



### REFRIGERATION SYSTEM

#### R-410A Refrigerant

Non-chlorine, ozone friendly, R-410A.

Unit pre-charged with refrigerant.

See Specification table.



#### 1 Condenser Fan with SilentComfort™ Technology

Specially-designed, SilentComfort fan guard uses Passive Vortex Suppression to reduce air noise. Corrosion-resistant PVC (polyvinyl chloride) coated steel wire.

Specially designed fan blades reduce operating sound levels. Direct drive fan moves large air volumes uniformly through entire condenser coil for high refrigerant cooling capacity.

Vertical air discharge minimizes operating sounds and eliminates damage to lawn and shrubs.

Fan motor is inherently protected.

Motor totally enclosed for maximum protection from weather, dust and corrosion.

Fan service access accomplished by removal of fan guard.

## FEATURES

### **REFRIGERATION SYSTEM (CONTINUED)**

#### **2 Copper Tube/Enhanced Fin Coil**

Lennox designed and fabricated coil.

Ripple-edged aluminum fins.

Copper tube construction.

Lanced fins provide maximum exposure of fin surface to air stream resulting in excellent heat transfer.

Fin collars grip tubing for maximum contact area.

Flared shoulder tubing connections/silver soldering construction.

Coil is factory tested under high pressure to insure leakproof construction.

Entire coil is accessible for cleaning.

#### **3 High Pressure Switch**

Shuts off unit if abnormal operating conditions cause the discharge pressure to rise above setting.

Protects compressor from excessive condensing pressure.

Manual reset.

#### **4 Low Pressure Switch**

Shuts off unit if suction pressure falls below setting.

Provides loss of charge and freeze-up protection.

Automatic reset.

#### **5 Hi-Capacity Liquid Line Drier**

Factory installed in the liquid line, the drier traps moisture or dirt that could contaminate the refrigerant system.

100% molecular-sieve bead type drier.

### **OPTIONS**

#### **Expansion Valve Kits**

Must be ordered extra and field installed on certain evaporator units. See Specifications and TXV Substitution tables.

Chatleff style fitting.

#### **Freezestat**

Installs on or near the discharge line of the evaporator or on the suction line.

Senses suction line temperature and cycles the compressor off when suction line temperature falls below it's setpoint.

Opens at 29°F and closes at 58°F.

#### **Refrigerant Line Kits**

Refrigerant lines (suction & liquid) are shipped refrigeration clean. Lines are cleaned, dried, pressurized, and sealed at factory.

Suction line fully insulated.

L15 lines are stubbed at both ends.

See Specifications table for selection.

Not available for -060 model and must be field fabricated.

### **COMPRESSOR**

#### **6 Scroll Compressor**

Compressor features high efficiency with uniform suction flow, constant discharge flow and high volumetric efficiency and quiet operation.

Compressor consists of two involute spiral scrolls matched together to generate a series of crescent shaped gas pockets between them.

During compression, one scroll remains stationary while the other scroll orbits around it.

Gas is drawn into the outer pocket, the pocket is sealed as the scroll rotates.

As the spiral movement continues, gas pockets are pushed to the center of the scrolls. Volume between the pockets is simultaneously reduced.

When pocket reaches the center, gas is now at high pressure and is forced out of a port located in the center of the fixed scrolls.

During compression, several pockets are compressed simultaneously resulting in a smooth continuous compression cycle.

Continuous flank contact, maintained by centrifugal force, minimizes gas leakage and maximizes efficiency.

Scroll compressor is tolerant to the effects of slugging and contaminants. If this occurs, scrolls separate, allowing liquid or contaminants to be worked toward the center and discharged.

Low gas pulses during compression reduces operational sound levels.

Compressor motor is internally protected from excessive current and temperature.

Compressor is installed in the unit on resilient rubber mounts for vibration free operation.

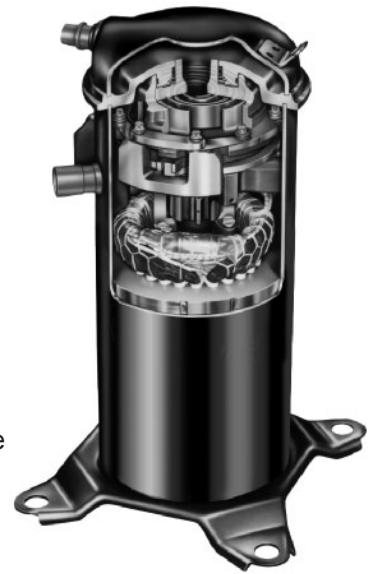
Factory installed crankcase heater.

#### **Crankcase Heater**

Crankcase heater prevents migration of liquid refrigerant into compressor and ensures proper compressor lubrication.

#### **7 Compressor Sound Cover**

A Lennox-exclusive, sand-filled, polypropylene copolymer, compressor cover dramatically reduces compressor sound levels.





## FEATURES

### CONTROLS

#### Lennox System Operations Monitor

Provides detailed information for proper preventive maintenance and fast, easy servicing.

Displays the most common fault conditions through indicator LED's:

Monitor detects both mechanical and electrical system problems.

Monitors only and does not provide safety protection.

When an abnormal condition is detected, communicates the specific condition through the ALERT and TRIP lights.

POWER LED (green) - indicates voltage within the range of 19-28VAC is present at the power connection.

ALERT LED (yellow) - communicates an abnormal system condition through a unique flash code. The ALERT LED will flash a number of times consecutively, pause and then repeat the process. The number of consecutive flashes, defined as the Flash Code, correlates to a particular abnormal condition. The codes can indicate one of the following: long run time, system pressure trip (discharge or suction pressure out-of-limits or compressor overloaded), short cycling, locked rotor, open circuit, open start circuit (current present only in run circuit), open run circuit (current present only in start circuit), welded contactor (compressor runs continuously), or low voltage (control circuit < 17VAC).

TRIP LED (red) - indicates there is a demand signal from the thermostat but no current to the compressor is detected by the monitor.

### OPTIONS

#### Compressor Hard Start Kit

Single-phase units are equipped with a PSC compressor motor.

This type of motor normally does not need a potential relay and start capacitor.

In conditions such as low voltage, kit may be required to increase the compressor starting torque.

#### Compressor Time-Off Control

Kit prevents compressor short-cycling and allows time for suction and discharge pressure to equalize.

Permits compressor start-up in an unloaded condition.

Automatic reset with 5 minute delay between compressor shut-off and start-up.

#### Indoor Blower Off Delay Relay

Delays the indoor blower-off time during the cooling cycle.

See AHRI System Matches for usage.



### Low Ambient Kit

Air conditioners will operate satisfactorily down to 45°F outdoor air temperature without any additional controls.

Kit can be added in the field enabling unit to operate properly down to 30°F.

A Freezestat should be installed on compressors equipped with a low ambient kit.

A Compressor Low Ambient Cut-Off should be added to terminate compressor operation below recommended operation conditions.

### Thermostat

Thermostat not furnished with unit. See Thermostat bulletins in Controls Section and Lennox Price Book.

### CABINET

Heavy-gauge steel construction

Pre-painted cabinet finish.

Painted base section.

Control box is conveniently located with all controls factory wired.

Large removable panel provides service access.

Drainage holes are provided in base section for moisture removal.

High density polyethylene unit support feet raise the unit off of the mounting surface, away from damaging moisture.

#### 8 SmarHinge™ Louvered Coil Protection

Steel louvered panels provides complete coil protection.

Panels are hinged to allow easy cleaning and servicing of coils.

Panels may be completely removed.

Interlocking tabs and slots assure tight fit on cabinet.



#### 9 Refrigerant Line Connections, Electrical Inlets and Service Valves

Suction and liquid lines are located on corner of unit cabinet and are made with sweat connections. See dimension drawing.

Fully serviceable brass service valves prevent corrosion and provide access to refrigerant system. Suction valve can be fully shut off, while liquid valve may be front seated to manage refrigerant charge while servicing system.

Suction and liquid line service valves and gauge ports are located inside the cabinet.

Refrigerant line connections and field wiring inlets are located in one central area of the cabinet. See dimension drawing.

## SPECIFICATIONS

General Data		Model No.	XC15-024	XC15-030	XC15-036	XC15-042	XC15-048	XC15-060
Nominal Tonnage			2	2.5	3	3.5	4	5
Connections (sweat)	Liquid line (o.d.) - in.		3/8	3/8	3/8	3/8	3/8	3/8
	Suction line (o.d.) - in.		3/4	3/4	3/4	7/8	7/8	1-1/8
Refrigerant	<sup>1</sup> R-410A charge furnished		8 lbs. 4 oz.	8 lbs. 3 oz.	8 lbs. 10 oz.	9 lbs. 11 oz.	12 lbs. 2 oz.	13 lbs. 0 oz.
Outdoor Coil	Net face area - sq. ft.	Outer coil	23.25	27.21	27.21	27.21	27.21	27.21
		Inner coil	---	---	---	---	26.36	26.36
		Tube diameter - in.	5/16	5/16	5/16	5/16	5/16	5/16
		No. of rows	1	1	1	1	2	2
		Fins per inch	26	26	26	26	22	22
Outdoor Fan	Diameter - in.		26	26	26	26	26	26
	No. of blades		3	3	3	3	3	3
	Motor hp		1/15	1/15	1/12	1/12	1/5	1/5
	Cfm		2100	2100	2300	2300	3910	3910
	Rpm		825	825	825	825	825	825
	Watts		100	100	112	112	212	212
Shipping Data - lbs. 1 pkg.			267	287	288	313	346	351
<b>ELECTRICAL DATA</b>								
Line voltage data - 60hz			208/230V-1ph	208/230V-1ph	208/230V-1ph	208/230V-1ph	208/230V-1ph	208/230V-1ph
<sup>2</sup> Maximum overcurrent protection (amps)			30	25	35	40	50	60
<sup>3</sup> Minimum circuit ampacity			17.4	16.5	21.5	23.1	28.4	34.1
Compressor	Rated load amps		13.5	12.8	16.7	17.9	21.8	26.4
	Locked rotor amps		58.3	64.0	79.0	107.0	117.0	134.0
	Power factor		0.97	0.98	0.98	0.93	0.96	0.98
Outdoor Fan Motor	Full load amps		0.5	0.5	0.65	0.65	1.1	1.1
	Locked rotor amps		0.8	0.8	1.1	1.1	2.1	2.1
<b>OPTIONAL ACCESSORIES - MUST BE ORDERED EXTRA</b>								
Compressor Hard Start Kit		88M91	•	•	•	•	•	•
Compressor Low Ambient Cut-Off		45F08	•	•	•	•	•	•
Compressor Time-Off Control		47J27	•	•	•	•	•	•
Freezestat	3/8 in. tubing	93G35	•	•	•	•	•	•
	5/8 in. tubing	50A93	•	•	•	•	•	•
Low Ambient Kit		34M72	•	•	•	•	•	•
Refrigerant Line Sets	L15-41-20	L15-41-40	•	•	•			
	L15-41-30	L15-41-50						
	L15-65-30	L15-65-40				•	•	
		L15-65-50						
	Field Fabricate							•
Indoor Blower Off Delay Relay		58M81	•	•	•	•	•	•

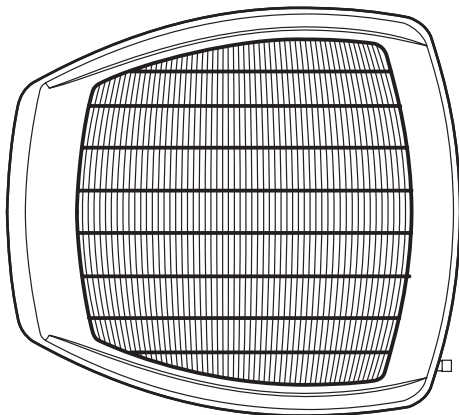
NOTE - Extremes of operating range are plus 10% and minus 5% of line voltage.

<sup>1</sup> Refrigerant charge sufficient for 15 ft. length of refrigerant lines.

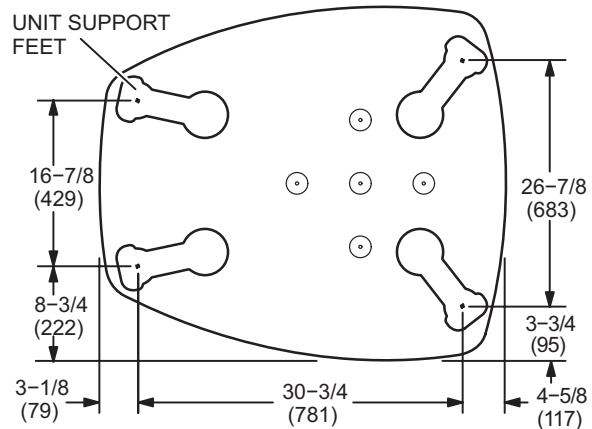
<sup>2</sup> HACR type breaker or fuse.

<sup>3</sup> Refer to National or Canadian Electrical Code manual to determine wire, fuse and disconnect size requirements.

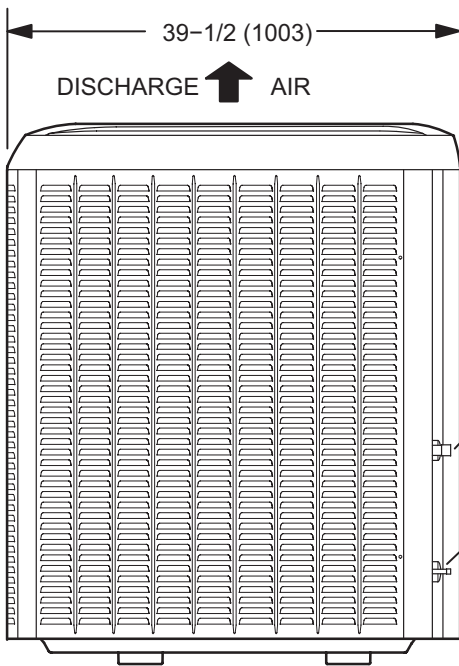
**DIMENSIONS - INCHES (MM)**



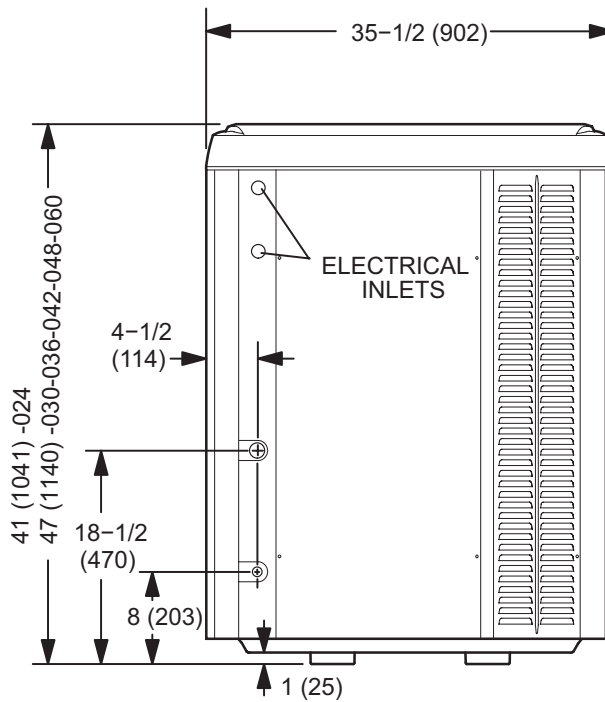
**TOP VIEW**



**TOP VIEW BASE SECTION**



**SIDE VIEW**



**ACCESS VIEW**

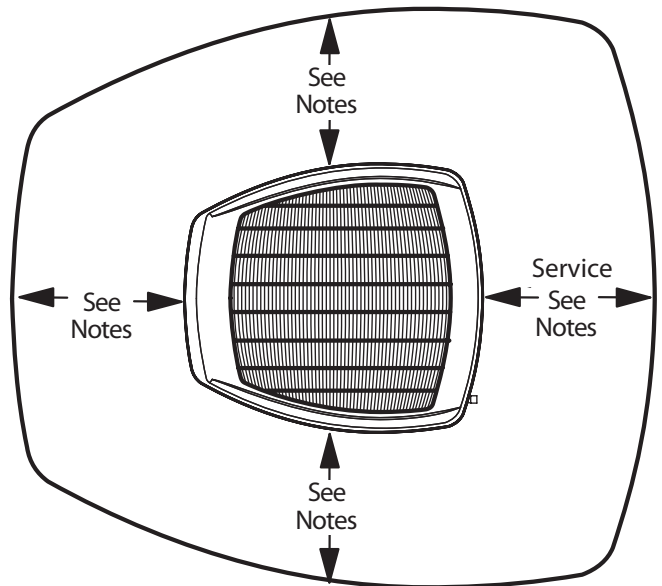
## INSTALLATION CLEARANCES

### NOTES

One of these three sides must be 36 in. (914 mm).  
 One of the two remaining sides may be 12 in. (305 mm).  
 The remaining side may be 6 in. (152 mm).

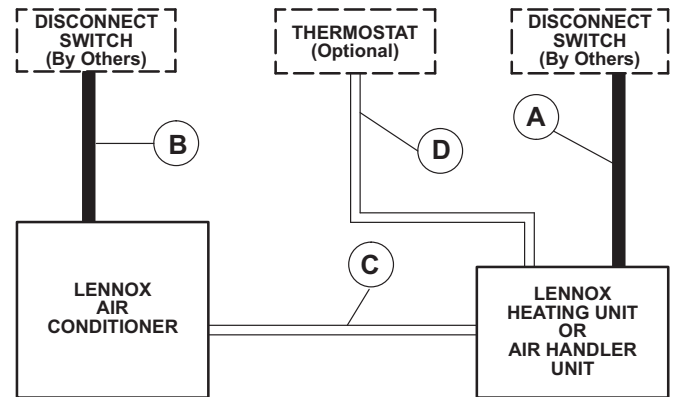
Service Clearance – 30 in. (762 mm)

48 in. (1219 mm) clearance required on top of unit  
 24 in. (610 mm) required between two units



## FIELD WIRING

- A - Two Wire Power (not furnished)
  - B - Two Power (not furnished) See Electrical Data
  - C - Four Wire Low Voltage (not furnished) 18 ga. minimum
  - D - Six Wire Low Voltage (not furnished) 18 ga. minimum
- All wiring must conform to NEC or CEC and local electrical codes.



## OUTDOOR SOUND DATA

<sup>1</sup> Unit Model No.	Octave Band Sound Power Levels dBA, re 10 <sup>-12</sup> Watts							<sup>1</sup> Sound Rating Number (dB)
	Center Frequency - HZ							
	125	250	500	1000	2000	4000	8000	
<b>XC15-024</b>	56.0	55.5	56.0	56.5	56.5	50.0	43.5	63
<b>XC15-030</b>	48.0	52.5	56.5	57.5	56.5	50.0	44.5	63
<b>XC15-036</b>	55.5	57.5	59.0	59.0	57.0	51.5	44.0	66
<b>XC15-042</b>	55.0	56.5	60.0	60.5	57.5	53.0	48.5	66
<b>XC15-048</b>	59.5	61.0	65.0	63.0	60.0	55.0	48.0	70
<b>XC15-060</b>	60.0	62.0	64.5	63.5	60.5	56.0	49.5	70

NOTE - the octave sound power data does not include tonal correction.  
<sup>1</sup> Tested according to AHRI Standard 270-2008 test conditions.

## THERMAL EXPANSION VALVES (TXV)

Model No.	Order No.
XC15-024	<b>37L51</b>
XC15-030	<b>37L51</b>
XC15-036	<b>39L72</b>
XC15-042	<b>39L72</b>
XC15-048	<b>91M02</b>
XC15-060	<b>91M02</b>

CX34 upflow coils and all Lennox air handlers (except CB26UH "R") are shipped with a factory installed TXV. In most cases, no change out of the valve is needed.

If a change out is required it will be listed in the "TXV SUBSTITUTIONS" table. The correct TXV must be ordered and field installed. C33 coils and all horizontal and downflow coils are shipped without a TXV. The TXV must be ordered and field installed.

## MOST POPULAR MATCHES

Outdoor Unit Model No.	Indoor Unit Model No
XC15-024	CX34-31
XC15-030	CX34-31
XC15-036	CX34-38
XC15-042	CX34-49
XC15-048	CX34-50/60
XC15-060	CX34-62

## \*TXV SUBSTITUTIONS

Indoor Coils/Air Handlers with factory installed expansion valves that require field replacement

Model No.	Indoor Coil or Air Handler	Order No.
XC15-030	CX34-42	<b>37L51</b>
XC15-030	CX34-43	<b>37L51</b>
XC15-030	CX34-44/48	<b>37L51</b>
XC15-030	CBX32M-042	<b>37L51</b>
XC15-030	CBX32M-048	<b>37L51</b>
XC15-036	CX34-36	<b>39L72</b>
XC15-036	CX34-38	<b>39L72</b>
XC15-036	CX34-49	<b>39L72</b>
XC15-036	CX34-50/60	<b>39L72</b>
XC15-036	CX34-62	<b>39L72</b>
XC15-036	CBX27UH-036	<b>39L72</b>
XC15-036	CBX32M-030	<b>39L72</b>
XC15-036	CBX32M-036	<b>39L72</b>
XC15-036	CBX32MV-024/030	<b>39L72</b>
XC15-036	CBX32MV-036	<b>39L72</b>
XC15-036	CBX40UHV-030	<b>39L72</b>
XC15-036	CBX40UHV-036	<b>39L72</b>
XC15-042	CX34-38	<b>39L72</b>
XC15-042	CX34-49	<b>39L72</b>
XC15-042	CX34-50/60	<b>39L72</b>
XC15-042	CX34-62	<b>39L72</b>
XC15-042	CBX27UH-048	<b>39L72</b>
XC15-042	CBX32M-036	<b>39L72</b>
XC15-042	CBX32M-048	<b>39L72</b>
XC15-042	CBX32MV-036	<b>39L72</b>
XC15-042	CBX40UHV-036	<b>39L72</b>
XC15-048	CX34-44/48	<b>91M02</b>
XC15-048	CBX32MV-036	<b>91M02</b>
XC15-048	CBX40UHV-036	<b>91M02</b>
XC15-060	CX34-44/48	<b>91M02</b>

\* CX34 coils and all air handlers (except CB26UH "R") - the factory installed expansion valve must be replaced with the expansion valve listed (ordered separately). If the combination is not listed above, the factory installed TXV is used.

C33 and CH33 coils and CB26UH "R" air handlers - replace the factory installed RFC with the expansion valve listed in the Thermal Expansion Valves Table.

CR33 and CH23 - use the expansion valve listed in the Thermal Expansion Valves Table.



## AHRI SYSTEM MATCHES

NOTE - For the latest up-to-date system matches please visit the AHRI web site at <http://www.ahridirectory.org>

Model No.	Cooling Btuh	SEER	EER	Indoor Coil or Air Handler	Furnace	AHRI Reference
XC15-024-230 + TXV	22,400	15.20	12.70	C33-19	CBWMV-36C-090	3007661
XC15-024-230 + TXV	22,400	15.00	12.50	C33-19	G60UHV-36A-070	3008601
XC15-024-230 + TXV	22,600	15.20	12.70	C33-19	G60UHV-36B-090	3008602
XC15-024-230 + TXV	22,400	15.00	12.50	C33-19	G61MPV-36B-045	3008603
XC15-024-230 + TXV	22,400	15.00	12.50	C33-19	G61MPV-36B-070	3008604
XC15-024-230 + TXV	22,400	15.00	12.50	C33-19	G61MPV-36B-071	3008605
XC15-024-230 + TXV	22,400	15.00	12.50	C33-19	G71MPP-36B-070	3545451
XC15-024-230 + TXV	22,200	14.50	12.20	C33-19	O23V2/3-70/90	3007663
XC15-024-230 + TXV	22,000	13.00	11.00	C33-19		3007662
XC15-024-230 + TXV	23,000	14.00	11.50	C33-24		3007664
XC15-024-230 + TXV	23,800	16.00	13.20	C33-25	G60UHV-36A-070	3008607
XC15-024-230 + TXV	24,000	16.50	13.70	C33-25	G60UHV-36B-090	3008608
XC15-024-230 + TXV	24,000	16.00	13.50	C33-25	G61MPV-36B-045	3008609
XC15-024-230 + TXV	24,000	16.20	13.50	C33-25	G61MPV-36B-070	3008610
XC15-024-230 + TXV	24,000	16.00	13.50	C33-25	G61MPV-36B-071	3008611
XC15-024-230 + TXV	24,000	16.20	13.50	C33-25	G71MPP-36B-070	3545452
XC15-024-230 + TXV	23,400	14.20	12.00	C33-25		3007665
XC15-024-230 + TXV	23,000	15.20	12.70	C33-30	G60UHV-36A-070	3008613
XC15-024-230 + TXV	23,000	15.50	13.00	C33-30	G60UHV-36B-090	3007666
XC15-024-230 + TXV	23,000	15.20	12.70	C33-30	G61MPV-36B-045	3007667
XC15-024-230 + TXV	23,000	15.20	12.70	C33-30	G61MPV-36B-070	3007668
XC15-024-230 + TXV	23,000	15.20	12.70	C33-30	G61MPV-36B-071	3007669
XC15-024-230 + TXV	23,000	15.20	12.70	C33-30	G71MPP-36B-070	3545453
XC15-024-230 + TXV	22,400	13.00	11.00	C33-30		3007671
XC15-024-230 + TXV	24,200	16.50	13.50	C33-31	G60UHV-36A-070	3007672
XC15-024-230 + TXV	24,200	16.70	13.70	C33-31	G60UHV-36B-090	3008614
XC15-024-230 + TXV	24,400	16.20	13.70	C33-31	G61MPV-36B-045	3007673
XC15-024-230 + TXV	24,200	16.50	13.50	C33-31	G61MPV-36B-070	3007674
XC15-024-230 + TXV	24,400	16.20	13.50	C33-31	G61MPV-36B-071	3007675
XC15-024-230 + TXV	24,200	16.50	13.50	C33-31	G71MPP-36B-070	3545454
XC15-024-230 + TXV	23,600	14.50	12.20	C33-31		3007677
XC15-024-230 + TXV	23,800	16.00	13.50	C33-36	G60UHV-36A-070	3007678
XC15-024-230 + TXV	23,800	16.20	13.50	C33-36	G60UHV-36B-090	3008637
XC15-024-230 + TXV	23,800	16.00	13.20	C33-36	G61MPV-36B-045	3007679
XC15-024-230 + TXV	23,800	16.00	13.50	C33-36	G61MPV-36B-070	3007680
XC15-024-230 + TXV	23,800	16.00	13.20	C33-36	G61MPV-36B-071	3007681
XC15-024-230 + TXV	23,800	16.00	13.50	C33-36	G71MPP-36B-070	3545455
XC15-024-230 + TXV	23,200	14.20	12.00	C33-36		3007683
XC15-024-230 + TXV	24,400	16.50	13.70	C33-38	G60UHV-36A-070	3007684
XC15-024-230 + TXV	24,600	16.70	13.70	C33-38	G60UHV-36B-090	3007685
XC15-024-230 + TXV	24,600	16.50	13.70	C33-38	G61MPV-36B-045	3007686

**NOTES:**

+ TXV = Matched with Thermostatic Expansion Valve.

Ratings are certified in accordance with USE certification program which is based on AHRI Standard 210/240; 95°F outdoor air temperature, 80°F db / 67°F wb entering evaporator air with 25 ft. of connecting refrigerant lines.

All ratings include the use of a blower time delay relay (TDR). All Lennox variable-speed furnaces and Air Handlers have time delay capabilities. Other Furnaces and Air Handlers may require an optional time delay relay (58M81) for field installation. See furnace or air handler specifications to determine if relay is needed.

Also see TXV Substitution Table.

## AHRI SYSTEM MATCHES

NOTE - For the latest up-to-date system matches please visit the AHRI web site at <http://www.ahridirectory.org>

Model No.	Cooling Btuh	SEER	EER	Indoor Coil or Air Handler	Furnace	AHRI Reference
XC15-024-230 + TXV	24,400	16.50	13.70	C33-38	G61MPV-36B-070	3007687
XC15-024-230 + TXV	24,600	16.50	13.70	C33-38	G61MPV-36B-071	3007688
XC15-024-230 + TXV	24,400	16.50	13.70	C33-38	G71MPP-36B-070	3545456
XC15-024-230 + TXV	23,800	14.50	12.20	C33-38		3007690
XC15-024-230 + TXV	24,000	16.50	13.50	CB27UH-024-230		3007691
XC15-024-230 + TXV	24,200	16.70	13.70	CB27UH-030-230		3007692
XC15-024-230 + TXV	23,200	14.50	12.00	CB30M-21/26P		3007693
XC15-024-230 + TXV	23,600	15.00	12.50	CB30M-31P		3007694
XC15-024-230 + TXV	23,800	15.00	12.50	CB30M-41P		3007695
XC15-024-230 + TXV	24,000	16.50	13.50	CBX27UH-024-230		3007696
XC15-024-230 + TXV	24,200	16.70	13.70	CBX27UH-030-230		3007697
XC15-024-230 + TXV	23,200	14.50	12.00	CBX32M-018/024		3007698
XC15-024-230 + TXV	23,600	15.00	12.50	CBX32M-030		3007699
XC15-024-230 + TXV	23,800	15.00	12.50	CBX32M-036		3007700
XC15-024-230 + TXV	23,600	15.20	12.70	CBX32MV-018/024		3007701
XC15-024-230 + TXV	24,000	16.20	13.50	CBX32MV-024/030		3007702
XC15-024-230 + TXV	24,600	16.50	13.70	CBX32MV-036		3007703
XC15-024-230 + TXV	23,600	15.20	12.70	CBX40UHV-024		3291608
XC15-024-230 + TXV	24,000	16.20	13.50	CBX40UHV-030		3291629
XC15-024-230 + TXV	24,600	16.50	13.70	CBX40UHV-036		3291679
XC15-024-230 + TXV	21,200	13.00	11.00	CH23-21		3007704
XC15-024-230 + TXV	22,400	15.20	12.70	CH23-21	G60UHV-36A-070	3007705
XC15-024-230 + TXV	22,400	15.50	12.70	CH23-21	G60UHV-36B-090	3007706
XC15-024-230 + TXV	22,400	15.00	12.70	CH23-21	G61MPV-36B-045	3007707
XC15-024-230 + TXV	22,400	15.20	12.70	CH23-21	G61MPV-36B-070	3007708
XC15-024-230 + TXV	22,400	15.20	12.70	CH23-21	G61MPV-36B-071	3007709
XC15-024-230 + TXV	22,400	15.20	12.70	CH23-21	G71MPP-36B-070	3545457
XC15-024-230 + TXV	22,000	13.00	11.00	CH23-31		3007711
XC15-024-230 + TXV	22,800	15.50	13.00	CH23-31	G60UHV-36A-070	3007712
XC15-024-230 + TXV	22,800	15.70	13.20	CH23-31	G60UHV-36B-090	3007713
XC15-024-230 + TXV	22,800	15.50	13.00	CH23-31	G61MPV-36B-045	3007714
XC15-024-230 + TXV	22,800	15.50	13.00	CH23-31	G61MPV-36B-070	3007715
XC15-024-230 + TXV	22,800	15.50	13.00	CH23-31	G61MPV-36B-071	3007716
XC15-024-230 + TXV	22,800	15.50	13.00	CH23-31	G71MPP-36B-070	3545458
XC15-024-230 + TXV	23,200	14.00	12.00	CH23-41		3007718
XC15-024-230 + TXV	23,800	16.00	13.50	CH23-41	G60UHV-36A-070	3007719
XC15-024-230 + TXV	23,800	16.20	13.50	CH23-41	G60UHV-36B-090	3007720
XC15-024-230 + TXV	23,800	16.00	13.20	CH23-41	G61MPV-36B-045	3007721
XC15-024-230 + TXV	23,800	16.00	13.50	CH23-41	G61MPV-36B-070	3007722
XC15-024-230 + TXV	23,800	16.00	13.20	CH23-41	G61MPV-36B-071	3007723
XC15-024-230 + TXV	23,800	16.00	13.50	CH23-41	G71MPP-36B-070	3545459

### NOTES:

+ TXV = Matched with Thermostatic Expansion Valve.

Ratings are certified in accordance with USE certification program which is based on AHRI Standard 210/240; 95°F outdoor air temperature, 80°F db / 67°F wb entering evaporator air with 25 ft. of connecting refrigerant lines.

All ratings include the use of a blower time delay relay (TDR). All Lennox variable-speed furnaces and Air Handlers have time delay capabilities. Other Furnaces and Air Handlers may require an optional time delay relay (58M81) for field installation. See furnace or air handler specifications to determine if relay is needed.

Also see TXV Substitution Table.

## AHRI SYSTEM MATCHES

NOTE - For the latest up-to-date system matches please visit the AHRI web site at <http://www.ahridirectory.org>

Model No.	Cooling Btuh	SEER	EER	Indoor Coil or Air Handler	Furnace	AHRI Reference
XC15-024-230 + TXV	23,400	15.70	13.20	CH33-19	G60UHV-36A-070	3007726
XC15-024-230 + TXV	22,800	14.00	11.50	CH33-19		3007725
XC15-024-230 + TXV	23,200	15.50	13.00	CH33-24/30	G60UHV-36A-070	3007728
XC15-024-230 + TXV	22,600	13.00	11.00	CH33-24/30		3007727
XC15-024-230 + TXV	24,000	16.00	13.20	CH33-25	G60UHV-36A-070	3007729
XC15-024-230 + TXV	23,800	16.20	13.50	CH33-25	G60UHV-36B-090	3007730
XC15-024-230 + TXV	23,800	16.00	13.20	CH33-25	G61MPV-36B-045	3007731
XC15-024-230 + TXV	23,800	16.00	13.50	CH33-25	G61MPV-36B-070	3007732
XC15-024-230 + TXV	24,000	16.00	13.50	CH33-25	G61MPV-36B-071	3007733
XC15-024-230 + TXV	23,800	16.00	13.50	CH33-25	G71MPP-36B-070	3545460
XC15-024-230 + TXV	23,400	14.20	12.00	CH33-25A		3007735
XC15-024-230 + TXV	23,200	14.20	12.00	CH33-25B		3007742
XC15-024-230 + TXV	24,400	16.20	13.50	CH33-31	G60UHV-36A-070	3007736
XC15-024-230 + TXV	24,400	16.70	13.70	CH33-31	G60UHV-36B-090	3007737
XC15-024-230 + TXV	24,400	16.50	13.70	CH33-31	G61MPV-36B-045	3007738
XC15-024-230 + TXV	24,400	16.50	13.70	CH33-31	G61MPV-36B-070	3007739
XC15-024-230 + TXV	24,600	16.50	13.70	CH33-31	G61MPV-36B-071	3007740
XC15-024-230 + TXV	24,400	16.50	13.70	CH33-31	G71MPP-36B-070	3384466
XC15-024-230 + TXV	23,800	14.50	12.20	CH33-31		3008615
XC15-024-230 + TXV	23,200	14.00	12.00	CH33-36A		3008616
XC15-024-230 + TXV	23,600	15.70	13.00	CH33-36A	G60UHV-36A-070	3007743
XC15-024-230 + TXV	23,800	16.20	13.50	CH33-36B	G60UHV-36B-090	3007744
XC15-024-230 + TXV	23,800	16.00	13.20	CH33-36B	G61MPV-36B-045	3007745
XC15-024-230 + TXV	23,800	16.00	13.50	CH33-36B	G61MPV-36B-070	3007746
XC15-024-230 + TXV	23,800	16.00	13.20	CH33-36B	G61MPV-36B-071	3007747
XC15-024-230 + TXV	23,800	16.00	13.50	CH33-36B	G71MPP-36B-070	3545461
XC15-024-230 + TXV	23,800	16.50	13.50	CH33-36C	G61MPV-36C-090	3007749
XC15-024-230 + TXV	23,000	14.00	11.50	CR33-24		3007750
XC15-024-230 + TXV	23,600	15.50	13.00	CR33-24	G60DFV-36A-070	3007751
XC15-024-230 + TXV	23,400	14.20	12.00	CR33-30/36		3007752
XC15-024-230 + TXV	24,200	16.00	13.20	CR33-30/36	G60DFV-36A-070	3007753
XC15-024-230 + TXV	24,200	16.20	13.50	CR33-30/36	G61MPV-36B-045	3007754
XC15-024-230 + TXV	24,000	16.20	13.50	CR33-30/36	G61MPV-36B-070	3007755
XC15-024-230 + TXV	24,200	16.20	13.50	CR33-30/36	G61MPV-36B-071	3007756
XC15-024-230 + TXV	24,000	16.50	13.70	CR33-30/36	G61MPV-36C-090	3007757
XC15-024-230 + TXV	24,000	16.20	13.50	CR33-30/36	G71MPP-36B-070	3545462
XC15-024-230 + TXV	23,000	14.00	11.50	CR33-48		3007759
XC15-024-230 + TXV	22,400	15.20	12.70	CX34-18/24	CBWMV-36C-090	3007760
XC15-024-230 + TXV	22,400	15.00	12.50	CX34-18/24	G60UHV-36A-070	3008617
XC15-024-230 + TXV	22,600	15.20	12.70	CX34-18/24	G60UHV-36B-090	3008618
XC15-024-230 + TXV	22,400	15.00	12.50	CX34-18/24	G61MPV-36B-045	3008619

**NOTES:**

+ TXV = Matched with Thermostatic Expansion Valve.

Ratings are certified in accordance with USE certification program which is based on AHRI Standard 210/240; 95°F outdoor air temperature, 80°F db / 67°F wb entering evaporator air with 25 ft. of connecting refrigerant lines.

All ratings include the use of a blower time delay relay (TDR). All Lennox variable-speed furnaces and Air Handlers have time delay capabilities. Other Furnaces and Air Handlers may require an optional time delay relay (58M81) for field installation. See furnace or air handler specifications to determine if relay is needed.

Also see TXV Substitution Table.

## AHRI SYSTEM MATCHES

NOTE - For the latest up-to-date system matches please visit the AHRI web site at <http://www.ahridirectory.org>

Model No.	Cooling Btuh	SEER	EER	Indoor Coil or Air Handler	Furnace	AHRI Reference
XC15-024-230 + TXV	22,400	15.00	12.50	CX34-18/24	G61MPV-36B-070	3008620
XC15-024-230 + TXV	22,400	15.00	12.50	CX34-18/24	G61MPV-36B-071	3008621
XC15-024-230 + TXV	22,400	15.00	12.50	CX34-18/24	G71MPP-36B-070	3545463
XC15-024-230 + TXV	22,200	14.50	12.20	CX34-18/24	O23V2/3-70/90	3007762
XC15-024-230 + TXV	22,000	13.00	11.00	CX34-18/24		3007761
XC15-024-230 + TXV	23,000	14.00	11.50	CX34-19		3007763
XC15-024-230 + TXV	23,800	16.00	13.20	CX34-25	G60UHV-36A-070	3008623
XC15-024-230 + TXV	24,000	16.50	13.70	CX34-25	G60UHV-36B-090	3008624
XC15-024-230 + TXV	24,000	16.00	13.50	CX34-25	G61MPV-36B-045	3008625
XC15-024-230 + TXV	24,000	16.20	13.50	CX34-25	G61MPV-36B-070	3008626
XC15-024-230 + TXV	24,000	16.00	13.50	CX34-25	G61MPV-36B-071	3008627
XC15-024-230 + TXV	24,000	16.20	13.50	CX34-25	G71MPP-36B-070	3545464
XC15-024-230 + TXV	23,400	14.20	12.00	CX34-25		3007770
XC15-024-230 + TXV	23,000	15.20	12.70	CX34-30	G60UHV-36A-070	3008629
XC15-024-230 + TXV	23,000	15.50	13.00	CX34-30	G60UHV-36B-090	3007765
XC15-024-230 + TXV	23,000	15.20	12.70	CX34-30	G61MPV-36B-045	3007766
XC15-024-230 + TXV	23,000	15.20	12.70	CX34-30	G61MPV-36B-070	3007767
XC15-024-230 + TXV	23,000	15.20	12.70	CX34-30	G61MPV-36B-071	3007768
XC15-024-230 + TXV	23,000	15.20	12.70	CX34-30	G71MPP-36B-070	3545465
XC15-024-230 + TXV	22,400	13.00	11.00	CX34-30		3007776
XC15-024-230 + TXV	24,200	16.50	13.50	CX34-31	G60UHV-36A-070	3007771
XC15-024-230 + TXV	24,200	16.70	13.70	CX34-31	G60UHV-36B-090	3008630
XC15-024-230 + TXV	24,400	16.20	13.70	CX34-31	G61MPV-36B-045	3007772
XC15-024-230 + TXV	24,200	16.50	13.50	CX34-31	G61MPV-36B-070	3007773
XC15-024-230 + TXV	24,400	16.20	13.50	CX34-31	G61MPV-36B-071	3007774
XC15-024-230 + TXV	24,200	16.50	13.50	CX34-31	G71MPP-36B-070	3545466
XC15-024-230 + TXV	23,400	14.50	12.20	CX34-31		3007782
XC15-024-230 + TXV	23,800	16.00	13.50	CX34-36	G60UHV-36A-070	3007777
XC15-024-230 + TXV	23,800	16.20	13.50	CX34-36	G60UHV-36B-090	3008638
XC15-024-230 + TXV	23,800	16.00	13.20	CX34-36	G61MPV-36B-045	3007778
XC15-024-230 + TXV	23,800	16.00	13.50	CX34-36	G61MPV-36B-070	3007779
XC15-024-230 + TXV	23,800	16.00	13.20	CX34-36	G61MPV-36B-071	3007780
XC15-024-230 + TXV	23,800	16.00	13.50	CX34-36	G71MPP-36B-070	3545467
XC15-024-230 + TXV	23,200	14.20	12.00	CX34-36		3007789
XC15-024-230 + TXV	24,400	16.50	13.70	CX34-38	G60UHV-36A-070	3007783
XC15-024-230 + TXV	24,600	16.70	13.70	CX34-38	G60UHV-36B-090	3007784
XC15-024-230 + TXV	24,600	16.50	13.70	CX34-38	G61MPV-36B-045	3007785
XC15-024-230 + TXV	24,400	16.50	13.70	CX34-38	G61MPV-36B-070	3007786
XC15-024-230 + TXV	24,600	16.50	13.70	CX34-38	G61MPV-36B-071	3007787
XC15-024-230 + TXV	24,400	16.50	13.70	CX34-38	G71MPP-36B-070	3545468
XC15-024-230 + TXV	23,800	14.50	12.20	CX34-38		3226004

### NOTES:

+ TXV = Matched with Thermostatic Expansion Valve.

Ratings are certified in accordance with USE certification program which is based on AHRI Standard 210/240; 95°F outdoor air temperature, 80°F db / 67°F wb entering evaporator air with 25 ft. of connecting refrigerant lines.

All ratings include the use of a blower time delay relay (TDR). All Lennox variable-speed furnaces and Air Handlers have time delay capabilities. Other Furnaces and Air Handlers may require an optional time delay relay (58M81) for field installation. See furnace or air handler specifications to determine if relay is needed.

Also see TXV Substitution Table.

## AHRI SYSTEM MATCHES

NOTE - For the latest up-to-date system matches please visit the AHRI web site at <http://www.ahridirectory.org>

Model No.	Cooling Btuh	SEER	EER	Indoor Coil or Air Handler	Furnace	AHRI Reference
XC15-030-230 + TXV	27,800	15.00	12.50	C33-25	G60UHV-36A-070	3007790
XC15-030-230 + TXV	27,800	15.20	12.70	C33-25	G60UHV-36B-090	3007791
XC15-030-230 + TXV	27,600	14.70	12.20	C33-25	G61MPV-36B-045	3007792
XC15-030-230 + TXV	27,800	14.70	12.20	C33-25	G61MPV-36B-070	3007793
XC15-030-230 + TXV	27,600	14.70	12.20	C33-25	G61MPV-36B-071	3007794
XC15-030-230 + TXV	27,800	14.70	12.20	C33-25	G71MPP-36B-070	3007795
XC15-030-230 + TXV	27,400	13.00	11.00	C33-25		3007796
XC15-030-230 + TXV	26,800	14.50	12.00	C33-30	G60UHV-36A-070	3007797
XC15-030-230 + TXV	26,800	14.70	12.20	C33-30	G60UHV-36B-090	3007798
XC15-030-230 + TXV	26,600	14.20	12.00	C33-30	G61MPV-36B-045	3007799
XC15-030-230 + TXV	26,400	14.20	12.00	C33-30	G61MPV-36B-070	3007800
XC15-030-230 + TXV	26,600	14.20	12.00	C33-30	G61MPV-36B-071	3007801
XC15-030-230 + TXV	26,400	14.50	12.00	C33-30	G61MPV-36C-090	3007802
XC15-030-230 + TXV	26,400	14.20	12.00	C33-30	G71MPP-36B-070	3007803
XC15-030-230 + TXV	26,400	14.50	12.00	C33-30	G71MPP-36C-090	3007804
XC15-030-230 + TXV	26,200	13.00	11.00	C33-30		3007805
XC15-030-230 + TXV	28,200	15.50	12.70	C33-31	G60UHV-36A-070	3007806
XC15-030-230 + TXV	28,400	15.70	13.00	C33-31	G60UHV-36B-090	3008631
XC15-030-230 + TXV	28,000	15.20	12.70	C33-31	G61MPV-36B-045	3007807
XC15-030-230 + TXV	28,200	15.20	12.70	C33-31	G61MPV-36B-070	3007808
XC15-030-230 + TXV	28,000	15.20	12.70	C33-31	G61MPV-36B-071	3007809
XC15-030-230 + TXV	28,200	15.20	12.70	C33-31	G71MPP-36B-070	3007810
XC15-030-230 + TXV	27,800	14.00	11.50	C33-31		3007811
XC15-030-230 + TXV	27,600	15.00	12.50	C33-36	G60UHV-36A-070	3007812
XC15-030-230 + TXV	27,600	15.20	12.70	C33-36	G60UHV-36B-090	3007813
XC15-030-230 + TXV	27,400	14.70	12.20	C33-36	G61MPV-36B-045	3007814
XC15-030-230 + TXV	27,600	15.00	12.50	C33-36	G61MPV-36B-070	3007815
XC15-030-230 + TXV	27,400	15.00	12.20	C33-36	G61MPV-36B-071	3007816
XC15-030-230 + TXV	27,600	15.20	12.50	C33-36	G61MPV-36C-090	3007817
XC15-030-230 + TXV	27,600	15.00	12.50	C33-36	G71MPP-36B-070	3007818
XC15-030-230 + TXV	27,600	15.20	12.50	C33-36	G71MPP-36C-090	3007819
XC15-030-230 + TXV	27,200	13.00	11.00	C33-36		3007820
XC15-030-230 + TXV	28,600	15.50	13.00	C33-38	G60UHV-36A-070	3007821
XC15-030-230 + TXV	28,600	16.00	13.00	C33-38	G60UHV-36B-090	3007822
XC15-030-230 + TXV	28,400	15.20	12.70	C33-38	G61MPV-36B-045	3007823
XC15-030-230 + TXV	28,600	15.50	12.70	C33-38	G61MPV-36B-070	3007824
XC15-030-230 + TXV	28,400	15.20	12.70	C33-38	G61MPV-36B-071	3007825
XC15-030-230 + TXV	28,600	15.70	13.00	C33-38	G61MPV-36C-090	3007826
XC15-030-230 + TXV	28,600	15.50	12.70	C33-38	G71MPP-36B-070	3007827
XC15-030-230 + TXV	28,600	15.70	13.00	C33-38	G71MPP-36C-090	3007828
XC15-030-230 + TXV	28,200	14.20	11.70	C33-38		3007829

**NOTES:**

+ TXV = Matched with Thermostatic Expansion Valve.

Ratings are certified in accordance with USE certification program which is based on AHRI Standard 210/240; 95°F outdoor air temperature, 80°F db / 67°F wb entering evaporator air with 25 ft. of connecting refrigerant lines.

All ratings include the use of a blower time delay relay (TDR). All Lennox variable-speed furnaces and Air Handlers have time delay capabilities. Other Furnaces and Air Handlers may require an optional time delay relay (58M81) for field installation. See furnace or air handler specifications to determine if relay is needed.

Also see TXV Substitution Table.



## AHRI SYSTEM MATCHES

NOTE - For the latest up-to-date system matches please visit the AHRI web site at <http://www.ahridirectory.org>

Model No.	Cooling Btuh	SEER	EER	Indoor Coil or Air Handler	Furnace	AHRI Reference
XC15-030-230 + TXV	27,600	15.20	12.70	C33-42	G60UHV-36B-090	3007830
XC15-030-230 + TXV	27,400	14.70	12.20	C33-42	G61MPV-36B-045	3007831
XC15-030-230 + TXV	27,600	15.00	12.50	C33-42	G61MPV-36B-070	3007832
XC15-030-230 + TXV	27,400	15.00	12.20	C33-42	G61MPV-36B-071	3007833
XC15-030-230 + TXV	27,600	15.00	12.50	C33-42	G71MPP-36B-070	3007834
XC15-030-230 + TXV	27,200	13.00	11.00	C33-42		3007835
XC15-030-230 + TXV	28,800	16.00	13.20	C33-43	G60UHV-36B-090	3007836
XC15-030-230 + TXV	28,400	15.50	12.70	C33-43	G61MPV-36B-045	3007837
XC15-030-230 + TXV	28,800	15.50	13.00	C33-43	G61MPV-36B-070	3007838
XC15-030-230 + TXV	28,400	15.50	12.70	C33-43	G61MPV-36B-071	3007839
XC15-030-230 + TXV	29,000	16.20	13.50	C33-43	G61MPV-36C-090	3007840
XC15-030-230 + TXV	28,800	15.50	13.00	C33-43	G71MPP-36B-070	3007841
XC15-030-230 + TXV	29,000	16.20	13.50	C33-43	G71MPP-36C-090	3007842
XC15-030-230 + TXV	28,200	14.20	11.70	C33-43		3007843
XC15-030-230 + TXV	28,400	15.70	13.00	C33-48	G60UHV-36B-090	3007844
XC15-030-230 + TXV	28,000	15.20	12.70	C33-48	G61MPV-36B-045	3007845
XC15-030-230 + TXV	28,200	15.20	12.70	C33-48	G61MPV-36B-070	3007846
XC15-030-230 + TXV	28,000	15.20	12.70	C33-48	G61MPV-36B-071	3007847
XC15-030-230 + TXV	28,400	15.70	13.00	C33-48	G61MPV-36C-090	3007848
XC15-030-230 + TXV	28,200	15.20	12.70	C33-48	G71MPP-36B-070	3007849
XC15-030-230 + TXV	28,400	15.70	13.00	C33-48	G71MPP-36C-090	3007850
XC15-030-230 + TXV	27,800	14.00	11.50	C33-48		3007851
XC15-030-230 + TXV	28,200	15.70	13.00	CB27UH-030-230		3007852
XC15-030-230 + TXV	28,200	15.70	13.00	CB27UH-036-230		3007853
XC15-030-230 + TXV	27,800	14.70	12.20	CB30M-31P		3007854
XC15-030-230 + TXV	27,800	14.50	12.00	CB30M-41P		3007855
XC15-030-230 + TXV	27,800	14.50	12.00	CB30M-46P		3007856
XC15-030-230 + TXV	28,200	14.70	12.20	CB30M-51P		3007857
XC15-030-230 + TXV	28,200	15.70	13.00	CBX27UH-030-230		3007858
XC15-030-230 + TXV	28,200	15.70	13.00	CBX27UH-036-230		3007859
XC15-030-230 + TXV	27,800	14.70	12.20	CBX32M-030		3007860
XC15-030-230 + TXV	27,800	14.50	12.00	CBX32M-036		3007861
XC15-030-230 + TXV	27,800	14.50	12.00	CBX32M-042		3007862
XC15-030-230 + TXV	28,200	14.70	12.20	CBX32M-048		3007863
XC15-030-230 + TXV	28,000	15.20	12.70	CBX32MV-024/030		3007864
XC15-030-230 + TXV	28,200	15.70	13.00	CBX32MV-036		3007865
XC15-030-230 + TXV	28,000	15.20	12.70	CBX40UHV-030		3291631
XC15-030-230 + TXV	28,200	15.70	13.00	CBX40UHV-036		3291681
XC15-030-230 + TXV	25,800	14.50	12.00	CH23-21	G60UHV-36A-070	3007866
XC15-030-230 + TXV	25,800	14.70	12.20	CH23-21	G60UHV-36B-090	3007867
XC15-030-230 + TXV	25,800	14.20	11.70	CH23-21	G61MPV-36B-045	3007868

**NOTES:**

+ TXV = Matched with Thermostatic Expansion Valve.

Ratings are certified in accordance with USE certification program which is based on AHRI Standard 210/240; 95°F outdoor air temperature, 80°F db / 67°F wb entering evaporator air with 25 ft. of connecting refrigerant lines.

All ratings include the use of a blower time delay relay (TDR). All Lennox variable-speed furnaces and Air Handlers have time delay capabilities. Other Furnaces and Air Handlers may require an optional time delay relay (58M81) for field installation. See furnace or air handler specifications to determine if relay is needed.

Also see TXV Substitution Table.

## AHRI SYSTEM MATCHES

NOTE - For the latest up-to-date system matches please visit the AHRI web site at <http://www.ahridirectory.org>

Model No.	Cooling Btuh	SEER	EER	Indoor Coil or Air Handler	Furnace	AHRI Reference
XC15-030-230 + TXV	25,800	14.20	12.00	CH23-21	G61MPV-36B-070	3007869
XC15-030-230 + TXV	25,800	14.20	11.70	CH23-21	G61MPV-36B-071	3007870
XC15-030-230 + TXV	25,800	14.20	12.00	CH23-21	G71MPP-36B-070	3007871
XC15-030-230 + TXV	26,200	14.70	12.20	CH23-31	G60UHV-36A-070	3007872
XC15-030-230 + TXV	26,200	14.70	12.20	CH23-31	G60UHV-36B-090	3007873
XC15-030-230 + TXV	26,200	14.20	12.00	CH23-31	G61MPV-36B-045	3007874
XC15-030-230 + TXV	26,200	14.50	12.00	CH23-31	G61MPV-36B-070	3007875
XC15-030-230 + TXV	26,200	14.50	12.00	CH23-31	G61MPV-36B-071	3007876
XC15-030-230 + TXV	26,200	14.50	12.00	CH23-31	G71MPP-36B-070	3007877
XC15-030-230 + TXV	25,600	13.00	11.00	CH23-31		3007878
XC15-030-230 + TXV	27,800	15.20	12.70	CH23-41	G60UHV-36A-070	3007879
XC15-030-230 + TXV	27,800	15.70	13.00	CH23-41	G60UHV-36B-090	3007880
XC15-030-230 + TXV	27,600	15.00	12.50	CH23-41	G61MPV-36B-045	3007881
XC15-030-230 + TXV	27,800	15.20	12.50	CH23-41	G61MPV-36B-070	3007882
XC15-030-230 + TXV	27,600	15.20	12.50	CH23-41	G61MPV-36B-071	3007883
XC15-030-230 + TXV	27,800	15.20	12.50	CH23-41	G71MPP-36B-070	3007884
XC15-030-230 + TXV	27,200	13.00	11.00	CH23-41		3007885
XC15-030-230 + TXV	27,800	15.20	12.70	CH23-51	G60UHV-36A-070	3007886
XC15-030-230 + TXV	28,000	15.70	13.00	CH23-51	G60UHV-36B-090	3007887
XC15-030-230 + TXV	27,600	15.20	12.50	CH23-51	G61MPV-36B-045	3007888
XC15-030-230 + TXV	27,800	15.20	12.50	CH23-51	G61MPV-36B-070	3007889
XC15-030-230 + TXV	27,600	15.20	12.50	CH23-51	G61MPV-36B-071	3007890
XC15-030-230 + TXV	27,800	15.20	12.50	CH23-51	G71MPP-36B-070	3007891
XC15-030-230 + TXV	27,200	13.00	11.00	CH23-51		3007892
XC15-030-230 + TXV	26,800	14.50	12.00	CH33-24/30	G60UHV-36A-070	3007893
XC15-030-230 + TXV	27,800	15.00	12.50	CH33-25A	G60UHV-36A-070	3007894
XC15-030-230 + TXV	27,400	13.00	11.00	CH33-25A		3007895
XC15-030-230 + TXV	27,800	15.20	12.70	CH33-25B	G60UHV-36B-090	3007896
XC15-030-230 + TXV	27,400	15.00	12.20	CH33-25B	G61MPV-36B-045	3007897
XC15-030-230 + TXV	27,600	15.00	12.50	CH33-25B	G61MPV-36B-070	3007898
XC15-030-230 + TXV	27,400	15.00	12.20	CH33-25B	G61MPV-36B-071	3007899
XC15-030-230 + TXV	27,600	15.00	12.50	CH33-25B	G71MPP-36B-070	3007900
XC15-030-230 + TXV	27,200	13.00	11.00	CH33-25B		3007901
XC15-030-230 + TXV	28,200	15.20	12.70	CH33-31A	G60UHV-36A-070	3007902
XC15-030-230 + TXV	28,000	14.00	11.50	CH33-31A		3007903
XC15-030-230 + TXV	28,600	15.70	13.20	CH33-31B	G60UHV-36B-090	3007904
XC15-030-230 + TXV	28,200	15.20	12.70	CH33-31B	G61MPV-36B-045	3007905
XC15-030-230 + TXV	28,600	15.50	12.70	CH33-31B	G61MPV-36B-070	3007906
XC15-030-230 + TXV	28,400	15.20	12.70	CH33-31B	G61MPV-36B-071	3007907
XC15-030-230 + TXV	28,600	15.50	12.70	CH33-31B	G71MPP-36B-070	3007908
XC15-030-230 + TXV	28,000	14.00	11.50	CH33-31B		3007909

**NOTES:**

+ TXV = Matched with Thermostatic Expansion Valve.

Ratings are certified in accordance with USE certification program which is based on AHRI Standard 210/240; 95°F outdoor air temperature, 80°F db / 67°F wb entering evaporator air with 25 ft. of connecting refrigerant lines.

All ratings include the use of a blower time delay relay (TDR). All Lennox variable-speed furnaces and Air Handlers have time delay capabilities. Other Furnaces and Air Handlers may require an optional time delay relay (58M81) for field installation. See furnace or air handler specifications to determine if relay is needed.

Also see TXV Substitution Table.

## AHRI SYSTEM MATCHES

NOTE - For the latest up-to-date system matches please visit the AHRI web site at <http://www.ahridirectory.org>

Model No.	Cooling Btuh	SEER	EER	Indoor Coil or Air Handler	Furnace	AHRI Reference
XC15-030-230 + TXV	27,400	14.70	12.20	CH33-36A	G60UHV-36A-070	3007910
XC15-030-230 + TXV	27,000	13.00	11.00	CH33-36A		3007911
XC15-030-230 + TXV	27,600	15.20	12.70	CH33-36B	G60UHV-36B-090	3007912
XC15-030-230 + TXV	27,400	14.70	12.20	CH33-36B	G61MPV-36B-045	3007913
XC15-030-230 + TXV	27,600	15.00	12.50	CH33-36B	G61MPV-36B-070	3007914
XC15-030-230 + TXV	27,400	14.70	12.20	CH33-36B	G61MPV-36B-071	3007915
XC15-030-230 + TXV	27,600	15.00	12.50	CH33-36B	G71MPP-36B-070	3007916
XC15-030-230 + TXV	28,000	15.50	12.70	CH33-36C	G61MPV-36C-090	3007917
XC15-030-230 + TXV	28,000	15.50	12.70	CH33-36C	G71MPP-36C-090	3007918
XC15-030-230 + TXV	27,800	14.00	11.50	CH33-42		3007919
XC15-030-230 + TXV	29,200	16.20	13.50	CH33-43B	G60UHV-36B-090	3007920
XC15-030-230 + TXV	28,800	15.70	13.00	CH33-43B	G61MPV-36B-045	3007921
XC15-030-230 + TXV	29,000	15.70	13.00	CH33-43B	G61MPV-36B-070	3007922
XC15-030-230 + TXV	28,800	15.70	13.00	CH33-43B	G61MPV-36B-071	3007923
XC15-030-230 + TXV	29,000	15.70	13.00	CH33-43B	G71MPP-36B-070	3007924
XC15-030-230 + TXV	28,600	14.50	12.00	CH33-43B		3007925
XC15-030-230 + TXV	29,000	16.20	13.50	CH33-43C	G61MPV-36C-090	3007926
XC15-030-230 + TXV	29,000	16.20	13.50	CH33-43C	G71MPP-36C-090	3007927
XC15-030-230 + TXV	28,400	14.20	12.00	CH33-43C		3007928
XC15-030-230 + TXV	28,000	14.00	11.50	CH33-44/48		3007929
XC15-030-230 + TXV	28,000	15.00	12.50	CR33-30/36	G60DFV-36A-070	3007930
XC15-030-230 + TXV	28,200	15.70	13.00	CR33-30/36	G60DFV-36B-090	3007931
XC15-030-230 + TXV	27,800	15.00	12.50	CR33-30/36	G61MPV-36B-045	3007932
XC15-030-230 + TXV	28,000	15.20	12.50	CR33-30/36	G61MPV-36B-070	3007933
XC15-030-230 + TXV	27,800	15.00	12.50	CR33-30/36	G61MPV-36B-071	3007934
XC15-030-230 + TXV	28,200	15.50	13.00	CR33-30/36	G61MPV-36C-090	3007935
XC15-030-230 + TXV	28,000	15.20	12.50	CR33-30/36	G71MPP-36B-070	3007936
XC15-030-230 + TXV	28,200	15.50	13.00	CR33-30/36	G71MPP-36C-090	3007937
XC15-030-230 + TXV	27,600	13.00	11.00	CR33-30/36		3007938
XC15-030-230 + TXV	27,200	15.20	12.70	CR33-48	G60DFV-36B-090	3007939
XC15-030-230 + TXV	27,200	14.70	12.20	CR33-48	G61MPV-36B-045	3007940
XC15-030-230 + TXV	27,400	14.70	12.20	CR33-48	G61MPV-36B-070	3007941
XC15-030-230 + TXV	27,200	14.70	12.20	CR33-48	G61MPV-36B-071	3007942
XC15-030-230 + TXV	27,600	15.20	12.50	CR33-48	G61MPV-36C-090	3007943
XC15-030-230 + TXV	27,400	14.70	12.20	CR33-48	G71MPP-36B-070	3007944
XC15-030-230 + TXV	27,600	15.20	12.50	CR33-48	G71MPP-36C-090	3007945
XC15-030-230 + TXV	27,000	13.00	11.00	CR33-48		3007946
XC15-030-230 + TXV	27,800	15.00	12.50	CX34-25	G60UHV-36A-070	3007947
XC15-030-230 + TXV	27,800	15.20	12.70	CX34-25	G60UHV-36B-090	3007948
XC15-030-230 + TXV	27,600	14.70	12.20	CX34-25	G61MPV-36B-045	3007949
XC15-030-230 + TXV	27,800	14.70	12.20	CX34-25	G61MPV-36B-070	3007950

### NOTES:

+ TXV = Matched with Thermostatic Expansion Valve.

Ratings are certified in accordance with USE certification program which is based on AHRI Standard 210/240; 95°F outdoor air temperature, 80°F db / 67°F wb entering evaporator air with 25 ft. of connecting refrigerant lines.

All ratings include the use of a blower time delay relay (TDR). All Lennox variable-speed furnaces and Air Handlers have time delay capabilities. Other Furnaces and Air Handlers may require an optional time delay relay (58M81) for field installation. See furnace or air handler specifications to determine if relay is needed.

Also see TXV Substitution Table.

## AHRI SYSTEM MATCHES

NOTE - For the latest up-to-date system matches please visit the AHRI web site at <http://www.ahridirectory.org>

Model No.	Cooling Btuh	SEER	EER	Indoor Coil or Air Handler	Furnace	AHRI Reference
XC15-030-230 + TXV	27,600	14.70	12.20	CX34-25	G61MPV-36B-071	3007951
XC15-030-230 + TXV	27,800	14.70	12.20	CX34-25	G71MPP-36B-070	3007952
XC15-030-230 + TXV	27,400	13.00	11.00	CX34-25		3007953
XC15-030-230 + TXV	26,800	14.50	12.00	CX34-30	G60UHV-36A-070	3007954
XC15-030-230 + TXV	26,800	14.70	12.20	CX34-30	G60UHV-36B-090	3007955
XC15-030-230 + TXV	26,600	14.20	12.00	CX34-30	G61MPV-36B-045	3007956
XC15-030-230 + TXV	26,400	14.20	12.00	CX34-30	G61MPV-36B-070	3007957
XC15-030-230 + TXV	26,600	14.20	12.00	CX34-30	G61MPV-36B-071	3007958
XC15-030-230 + TXV	26,400	14.50	12.00	CX34-30	G61MPV-36C-090	3007959
XC15-030-230 + TXV	26,400	14.20	12.00	CX34-30	G71MPP-36B-070	3007960
XC15-030-230 + TXV	26,400	14.50	12.00	CX34-30	G71MPP-36C-090	3007961
XC15-030-230 + TXV	26,200	13.00	11.00	CX34-30		3007962
XC15-030-230 + TXV	28,200	15.50	12.70	CX34-31	G60UHV-36A-070	3007963
XC15-030-230 + TXV	28,400	15.70	13.00	CX34-31	G60UHV-36B-090	3008632
XC15-030-230 + TXV	28,000	15.20	12.70	CX34-31	G61MPV-36B-045	3007964
XC15-030-230 + TXV	28,200	15.20	12.70	CX34-31	G61MPV-36B-070	3007965
XC15-030-230 + TXV	28,000	15.20	12.70	CX34-31	G61MPV-36B-071	3007966
XC15-030-230 + TXV	28,200	15.20	12.70	CX34-31	G71MPP-36B-070	3007967
XC15-030-230 + TXV	27,600	14.00	11.50	CX34-31		3007968
XC15-030-230 + TXV	27,600	15.00	12.50	CX34-36	G60UHV-36A-070	3007969
XC15-030-230 + TXV	27,600	15.20	12.70	CX34-36	G60UHV-36B-090	3007970
XC15-030-230 + TXV	27,400	14.70	12.20	CX34-36	G61MPV-36B-045	3007971
XC15-030-230 + TXV	27,600	15.00	12.50	CX34-36	G61MPV-36B-070	3007972
XC15-030-230 + TXV	27,400	15.00	12.20	CX34-36	G61MPV-36B-071	3007973
XC15-030-230 + TXV	27,600	15.20	12.50	CX34-36	G61MPV-36C-090	3007974
XC15-030-230 + TXV	27,600	15.00	12.50	CX34-36	G71MPP-36B-070	3007975
XC15-030-230 + TXV	27,600	15.20	12.50	CX34-36	G71MPP-36C-090	3007976
XC15-030-230 + TXV	27,200	13.00	11.00	CX34-36		3007977
XC15-030-230 + TXV	28,600	15.50	13.00	CX34-38	G60UHV-36A-070	3007978
XC15-030-230 + TXV	28,600	16.00	13.00	CX34-38	G60UHV-36B-090	3007979
XC15-030-230 + TXV	28,400	15.20	12.70	CX34-38	G61MPV-36B-045	3007980
XC15-030-230 + TXV	28,600	15.50	12.70	CX34-38	G61MPV-36B-070	3007981
XC15-030-230 + TXV	28,400	15.20	12.70	CX34-38	G61MPV-36B-071	3007982
XC15-030-230 + TXV	28,600	15.70	13.00	CX34-38	G61MPV-36C-090	3007983
XC15-030-230 + TXV	28,600	15.50	12.70	CX34-38	G71MPP-36B-070	3007984
XC15-030-230 + TXV	28,600	15.70	13.00	CX34-38	G71MPP-36C-090	3007985
XC15-030-230 + TXV	28,200	14.20	11.70	CX34-38		3007986
XC15-030-230 + TXV	27,600	15.20	12.70	CX34-42	G60UHV-36B-090	3007987
XC15-030-230 + TXV	27,400	14.70	12.20	CX34-42	G61MPV-36B-045	3007988
XC15-030-230 + TXV	27,600	15.00	12.50	CX34-42	G61MPV-36B-070	3007989
XC15-030-230 + TXV	27,400	15.00	12.20	CX34-42	G61MPV-36B-071	3007990

**NOTES:**

+ TXV = Matched with Thermostatic Expansion Valve.

Ratings are certified in accordance with USE certification program which is based on AHRI Standard 210/240; 95°F outdoor air temperature, 80°F db / 67°F wb entering evaporator air with 25 ft. of connecting refrigerant lines.

All ratings include the use of a blower time delay relay (TDR). All Lennox variable-speed furnaces and Air Handlers have time delay capabilities. Other Furnaces and Air Handlers may require an optional time delay relay (58M81) for field installation. See furnace or air handler specifications to determine if relay is needed.

Also see TXV Substitution Table.

## AHRI SYSTEM MATCHES

NOTE - For the latest up-to-date system matches please visit the AHRI web site at <http://www.ahridirectory.org>

Model No.	Cooling Btuh	SEER	EER	Indoor Coil or Air Handler	Furnace	AHRI Reference
XC15-030-230 + TXV	27,600	15.00	12.50	CX34-42	G71MPP-36B-070	3007991
XC15-030-230 + TXV	27,200	13.00	11.00	CX34-42		3007992
XC15-030-230 + TXV	28,800	16.00	13.20	CX34-43	G60UHV-36B-090	3007993
XC15-030-230 + TXV	28,400	15.50	12.70	CX34-43	G61MPV-36B-045	3007994
XC15-030-230 + TXV	28,800	15.50	13.00	CX34-43	G61MPV-36B-070	3007995
XC15-030-230 + TXV	28,400	15.50	12.70	CX34-43	G61MPV-36B-071	3007996
XC15-030-230 + TXV	29,000	16.20	13.50	CX34-43	G61MPV-36C-090	3007997
XC15-030-230 + TXV	28,800	15.50	13.00	CX34-43	G71MPP-36B-070	3007998
XC15-030-230 + TXV	29,000	16.20	13.50	CX34-43	G71MPP-36C-090	3007999
XC15-030-230 + TXV	28,200	14.20	11.70	CX34-43		3008000
XC15-030-230 + TXV	28,400	15.70	13.00	CX34-44/48	G60UHV-36B-090	3008001
XC15-030-230 + TXV	28,000	15.20	12.70	CX34-44/48	G61MPV-36B-045	3008002
XC15-030-230 + TXV	28,200	15.20	12.70	CX34-44/48	G61MPV-36B-070	3008003
XC15-030-230 + TXV	28,000	15.20	12.70	CX34-44/48	G61MPV-36B-071	3008004
XC15-030-230 + TXV	28,400	15.70	13.00	CX34-44/48	G61MPV-36C-090	3008005
XC15-030-230 + TXV	28,200	15.20	12.70	CX34-44/48	G71MPP-36B-070	3008006
XC15-030-230 + TXV	28,400	15.70	13.00	CX34-44/48	G71MPP-36C-090	3008007
XC15-030-230 + TXV	27,800	14.00	11.50	CX34-44/48		3008008
XC15-036-230 + TXV	34,800	14.00	11.50	C33-36	G60UHV-36A-070	3008009
XC15-036-230 + TXV	35,000	14.50	12.20	C33-36	G60UHV-36B-090	3008010
XC15-036-230 + TXV	35,400	14.70	12.50	C33-36	G60UHV-60C-110	3008011
XC15-036-230 + TXV	34,800	14.00	11.50	C33-36	G61MPV-36B-045	3008012
XC15-036-230 + TXV	34,600	14.00	12.00	C33-36	G61MPV-36B-070	3008013
XC15-036-230 + TXV	34,600	14.00	11.50	C33-36	G61MPV-36B-071	3008014
XC15-036-230 + TXV	34,800	14.50	12.20	C33-36	G61MPV-36C-090	3008015
XC15-036-230 + TXV	35,200	14.50	12.20	C33-36	G61MPV-60C-090	3008016
XC15-036-230 + TXV	35,400	14.50	12.20	C33-36	G61MPV-60C-110	3008017
XC15-036-230 + TXV	35,200	14.50	12.20	C33-36	G61MPV-60C-111	3008018
XC15-036-230 + TXV	34,600	14.00	12.00	C33-36	G71MPP-36B-070	3008019
XC15-036-230 + TXV	34,800	14.50	12.20	C33-36	G71MPP-36C-090	3008020
XC15-036-230 + TXV	35,200	14.50	12.20	C33-36	G71MPP-60C-090	3008021
XC15-036-230 + TXV	35,400	14.50	12.20	C33-36	G71MPP-60C-110	3008022
XC15-036-230 + TXV	34,400	13.00	11.00	C33-36		3008023
XC15-036-230 + TXV	36,000	14.50	12.20	C33-38	G60UHV-36A-070	3008024
XC15-036-230 + TXV	35,800	14.70	12.50	C33-38	G60UHV-36B-090	3008633
XC15-036-230 + TXV	36,000	14.20	12.00	C33-38	G61MPV-36B-045	3008025
XC15-036-230 + TXV	36,000	14.50	12.20	C33-38	G61MPV-36B-070	3008026
XC15-036-230 + TXV	36,000	14.50	12.20	C33-38	G61MPV-36B-071	3008027
XC15-036-230 + TXV	36,000	14.50	12.20	C33-38	G71MPP-36B-070	3008028
XC15-036-230 + TXV	35,600	13.00	11.00	C33-38		3008029
XC15-036-230 + TXV	35,000	14.50	12.20	C33-42	G60UHV-36B-090	3008030

**NOTES:**

+ TXV = Matched with Thermostatic Expansion Valve.

Ratings are certified in accordance with USE certification program which is based on AHRI Standard 210/240; 95°F outdoor air temperature, 80°F db / 67°F wb entering evaporator air with 25 ft. of connecting refrigerant lines.

All ratings include the use of a blower time delay relay (TDR). All Lennox variable-speed furnaces and Air Handlers have time delay capabilities. Other Furnaces and Air Handlers may require an optional time delay relay (58M81) for field installation. See furnace or air handler specifications to determine if relay is needed.

Also see TXV Substitution Table.



## AHRI SYSTEM MATCHES

NOTE - For the latest up-to-date system matches please visit the AHRI web site at <http://www.ahridirectory.org>

Model No.	Cooling Btuh	SEER	EER	Indoor Coil or Air Handler	Furnace	AHRI Reference
XC15-036-230 + TXV	34,800	14.00	11.50	C33-42	G61MPV-36B-045	3008031
XC15-036-230 + TXV	34,600	14.00	12.00	C33-42	G61MPV-36B-070	3008032
XC15-036-230 + TXV	34,600	14.00	11.50	C33-42	G61MPV-36B-071	3008033
XC15-036-230 + TXV	34,600	14.00	12.00	C33-42	G71MPP-36B-070	3008034
XC15-036-230 + TXV	34,400	13.00	11.00	C33-42		3008035
XC15-036-230 + TXV	36,400	15.20	12.70	C33-43	G60UHV-36B-090	3008036
XC15-036-230 + TXV	36,200	14.50	12.20	C33-43	G61MPV-36B-045	3008037
XC15-036-230 + TXV	36,200	14.50	12.20	C33-43	G61MPV-36B-070	3008038
XC15-036-230 + TXV	36,000	14.50	12.20	C33-43	G61MPV-36B-071	3008039
XC15-036-230 + TXV	36,200	15.00	12.70	C33-43	G61MPV-36C-090	3008040
XC15-036-230 + TXV	36,600	15.00	12.70	C33-43	G61MPV-60C-090	3008041
XC15-036-230 + TXV	36,800	14.70	12.50	C33-43	G61MPV-60C-091	3008042
XC15-036-230 + TXV	36,600	15.00	12.70	C33-43	G61MPV-60C-110	3008043
XC15-036-230 + TXV	36,600	15.00	12.70	C33-43	G61MPV-60C-111	3008044
XC15-036-230 + TXV	36,200	14.50	12.20	C33-43	G71MPP-36B-070	3008045
XC15-036-230 + TXV	36,200	15.00	12.70	C33-43	G71MPP-36C-090	3008046
XC15-036-230 + TXV	36,600	15.00	12.70	C33-43	G71MPP-60C-090	3008047
XC15-036-230 + TXV	36,600	15.00	12.70	C33-43	G71MPP-60C-110	3008048
XC15-036-230 + TXV	35,800	13.00	11.00	C33-43		3008049
XC15-036-230 + TXV	35,800	15.00	12.50	C33-44C	G61MPV-36C-090	3008050
XC15-036-230 + TXV	35,800	15.00	12.50	C33-44C	G71MPP-36C-090	3008051
XC15-036-230 + TXV	35,200	13.00	11.00	C33-44C		3008052
XC15-036-230 + TXV	36,000	15.00	12.50	C33-48	G60UHV-36B-090	3008053
XC15-036-230 + TXV	35,800	14.20	12.00	C33-48	G61MPV-36B-045	3008054
XC15-036-230 + TXV	35,600	14.50	12.20	C33-48	G61MPV-36B-070	3008055
XC15-036-230 + TXV	35,600	14.50	12.20	C33-48	G61MPV-36B-071	3008056
XC15-036-230 + TXV	35,800	15.00	12.50	C33-48	G61MPV-36C-090	3008057
XC15-036-230 + TXV	36,200	15.00	12.50	C33-48	G61MPV-60C-090	3008058
XC15-036-230 + TXV	36,200	14.70	12.20	C33-48	G61MPV-60C-091	3008059
XC15-036-230 + TXV	36,200	15.00	12.50	C33-48	G61MPV-60C-110	3008060
XC15-036-230 + TXV	36,200	15.00	12.50	C33-48	G61MPV-60C-111	3008061
XC15-036-230 + TXV	35,600	14.50	12.20	C33-48	G71MPP-36B-070	3008062
XC15-036-230 + TXV	35,800	15.00	12.50	C33-48	G71MPP-36C-090	3008063
XC15-036-230 + TXV	36,200	15.00	12.50	C33-48	G71MPP-60C-090	3008064
XC15-036-230 + TXV	36,200	15.00	12.50	C33-48	G71MPP-60C-110	3008065
XC15-036-230 + TXV	35,200	13.00	11.00	C33-48		3008066
XC15-036-230 + TXV	36,600	15.20	12.70	C33-49	G61MPV-36C-090	3008067
XC15-036-230 + TXV	37,000	15.20	12.70	C33-49	G61MPV-60C-090	3008068
XC15-036-230 + TXV	37,200	15.00	12.50	C33-49	G61MPV-60C-091	3008069
XC15-036-230 + TXV	37,000	15.20	12.70	C33-49	G61MPV-60C-110	3008070
XC15-036-230 + TXV	37,000	15.20	12.70	C33-49	G61MPV-60C-111	3008071

**NOTES:**

+ TXV = Matched with Thermostatic Expansion Valve.

Ratings are certified in accordance with USE certification program which is based on AHRI Standard 210/240; 95°F outdoor air temperature, 80°F db / 67°F wb entering evaporator air with 25 ft. of connecting refrigerant lines.

All ratings include the use of a blower time delay relay (TDR). All Lennox variable-speed furnaces and Air Handlers have time delay capabilities. Other Furnaces and Air Handlers may require an optional time delay relay (58M81) for field installation. See furnace or air handler specifications to determine if relay is needed.

Also see TXV Substitution Table.

## AHRI SYSTEM MATCHES

NOTE - For the latest up-to-date system matches please visit the AHRI web site at <http://www.ahridirectory.org>

Model No.	Cooling Btuh	SEER	EER	Indoor Coil or Air Handler	Furnace	AHRI Reference
XC15-036-230 + TXV	36,600	15.20	12.70	C33-49	G71MPP-36C-090	3008072
XC15-036-230 + TXV	37,000	15.20	12.70	C33-49	G71MPP-60C-090	3008073
XC15-036-230 + TXV	37,000	15.20	12.70	C33-49	G71MPP-60C-110	3008074
XC15-036-230 + TXV	36,200	15.00	12.70	C33-50/60C	G61MPV-36C-090	3008075
XC15-036-230 + TXV	36,600	15.00	12.70	C33-50/60C	G61MPV-60C-090	3008076
XC15-036-230 + TXV	36,600	14.70	12.50	C33-50/60C	G61MPV-60C-091	3008077
XC15-036-230 + TXV	36,600	15.00	12.70	C33-50/60C	G61MPV-60C-110	3008078
XC15-036-230 + TXV	36,600	15.00	12.70	C33-50/60C	G61MPV-60C-111	3008079
XC15-036-230 + TXV	36,200	15.00	12.70	C33-50/60C	G71MPP-36C-090	3008080
XC15-036-230 + TXV	36,600	15.00	12.70	C33-50/60C	G71MPP-60C-090	3008081
XC15-036-230 + TXV	36,600	15.00	12.70	C33-50/60C	G71MPP-60C-110	3008082
XC15-036-230 + TXV	35,800	13.00	11.00	C33-50/60C		3008083
XC15-036-230 + TXV	35,800	13.00	11.00	C33-60D		3387493
XC15-036-230 + TXV	37,000	15.50	13.00	C33-62C	G61MPV-36C-090	3008084
XC15-036-230 + TXV	37,400	15.20	13.00	C33-62C	G61MPV-60C-090	3008085
XC15-036-230 + TXV	37,600	15.00	12.70	C33-62C	G61MPV-60C-091	3008086
XC15-036-230 + TXV	37,400	15.50	13.00	C33-62C	G61MPV-60C-110	3008087
XC15-036-230 + TXV	37,400	15.20	13.00	C33-62C	G61MPV-60C-111	3008088
XC15-036-230 + TXV	37,000	15.50	13.00	C33-62C	G71MPP-36C-090	3008089
XC15-036-230 + TXV	37,400	15.20	13.00	C33-62C	G71MPP-60C-090	3008090
XC15-036-230 + TXV	37,400	15.50	13.00	C33-62C	G71MPP-60C-110	3008091
XC15-036-230 + TXV	35,400	14.70	12.50	CB27UH-036-230		3008092
XC15-036-230 + TXV	36,600	15.50	13.00	CB27UH-042-230		3008093
XC15-036-230 + TXV	34,800	14.00	11.50	CB30M-31P		3008094
XC15-036-230 + TXV	35,000	14.00	11.50	CB30M-41P		3008095
XC15-036-230 + TXV	35,200	14.20	12.00	CB30M-46P		3008096
XC15-036-230 + TXV	36,200	14.50	12.20	CB30M-51P		3008097
XC15-036-230 + TXV	35,400	14.70	12.50	CBX27UH-036-230		3008098
XC15-036-230 + TXV	36,600	15.50	13.00	CBX27UH-042-230		3008099
XC15-036-230 + TXV	34,800	14.00	11.50	CBX32M-030		3008100
XC15-036-230 + TXV	35,000	14.00	11.50	CBX32M-036		3008101
XC15-036-230 + TXV	35,200	14.20	12.00	CBX32M-042		3008102
XC15-036-230 + TXV	36,200	14.50	12.20	CBX32M-048		3008103
XC15-036-230 + TXV	35,000	14.50	12.20	CBX32MV-024/030		3008104
XC15-036-230 + TXV	35,400	14.50	12.20	CBX32MV-036		3008105
XC15-036-230 + TXV	36,600	15.50	13.00	CBX32MV-048		3008106
XC15-036-230 + TXV	35,000	14.50	12.20	CBX40UHV-030		3291633
XC15-036-230 + TXV	35,400	14.50	12.20	CBX40UHV-036		3291683
XC15-036-230 + TXV	36,600	15.50	13.00	CBX40UHV-042		3291708
XC15-036-230 + TXV	36,600	15.50	13.00	CBX40UHV-048		3291792
XC15-036-230 + TXV	35,400	14.50	12.20	CH23-41	G60UHV-36A-070	3008107

**NOTES:**

+ TXV = Matched with Thermostatic Expansion Valve.

Ratings are certified in accordance with USE certification program which is based on AHRI Standard 210/240; 95°F outdoor air temperature, 80°F db / 67°F wb entering evaporator air with 25 ft. of connecting refrigerant lines.

All ratings include the use of a blower time delay relay (TDR). All Lennox variable-speed furnaces and Air Handlers have time delay capabilities. Other Furnaces and Air Handlers may require an optional time delay relay (58M81) for field installation. See furnace or air handler specifications to determine if relay is needed.

Also see TXV Substitution Table.

## AHRI SYSTEM MATCHES

NOTE - For the latest up-to-date system matches please visit the AHRI web site at <http://www.ahridirectory.org>

Model No.	Cooling Btuh	SEER	EER	Indoor Coil or Air Handler	Furnace	AHRI Reference
XC15-036-230 + TXV	35,600	15.00	12.70	CH23-41	G60UHV-36B-090	3008108
XC15-036-230 + TXV	35,200	14.20	12.00	CH23-41	G61MPV-36B-045	3008109
XC15-036-230 + TXV	35,200	14.50	12.20	CH23-41	G61MPV-36B-070	3008110
XC15-036-230 + TXV	35,200	14.50	12.20	CH23-41	G61MPV-36B-071	3008111
XC15-036-230 + TXV	35,200	14.50	12.20	CH23-41	G71MPP-36B-070	3008112
XC15-036-230 + TXV	34,800	13.00	11.00	CH23-41		3008113
XC15-036-230 + TXV	35,600	15.00	12.70	CH23-51	G60UHV-36B-090	3008114
XC15-036-230 + TXV	35,400	14.20	12.00	CH23-51	G61MPV-36B-045	3008115
XC15-036-230 + TXV	35,200	14.50	12.20	CH23-51	G61MPV-36B-070	3008116
XC15-036-230 + TXV	35,200	14.50	12.20	CH23-51	G61MPV-36B-071	3008117
XC15-036-230 + TXV	35,200	14.50	12.20	CH23-51	G71MPP-36B-070	3008118
XC15-036-230 + TXV	34,800	13.00	11.00	CH23-51		3008119
XC15-036-230 + TXV	34,400	13.00	11.00	CH33-36A	G60UHV-36A-070	3008120
XC15-036-230 + TXV	33,400	13.00	11.00	CH33-36A		3008121
XC15-036-230 + TXV	35,000	14.50	12.20	CH33-36B	G60UHV-36B-090	3008122
XC15-036-230 + TXV	34,600	14.00	12.00	CH33-36B	G61MPV-36B-045	3008123
XC15-036-230 + TXV	34,600	14.00	12.00	CH33-36B	G61MPV-36B-070	3008124
XC15-036-230 + TXV	34,600	14.00	12.00	CH33-36B	G61MPV-36B-071	3008125
XC15-036-230 + TXV	34,600	14.00	12.00	CH33-36B	G71MPP-36B-070	3008126
XC15-036-230 + TXV	34,200	13.00	11.00	CH33-36B		3008127
XC15-036-230 + TXV	35,200	14.70	12.50	CH33-36C	G61MPV-36C-090	3008128
XC15-036-230 + TXV	35,200	14.70	12.50	CH33-36C	G71MPP-36C-090	3008129
XC15-036-230 + TXV	34,800	13.00	11.00	CH33-36C		3008130
XC15-036-230 + TXV	35,800	14.70	12.20	CH33-42	G60UHV-36B-090	3008131
XC15-036-230 + TXV	35,600	14.00	11.50	CH33-42	G61MPV-36B-045	3008132
XC15-036-230 + TXV	35,400	14.20	12.00	CH33-42	G61MPV-36B-070	3008133
XC15-036-230 + TXV	35,400	14.20	12.00	CH33-42	G61MPV-36B-071	3008134
XC15-036-230 + TXV	35,400	14.20	12.00	CH33-42	G71MPP-36B-070	3008135
XC15-036-230 + TXV	35,200	13.00	11.00	CH33-42		3008136
XC15-036-230 + TXV	37,000	15.00	12.70	CH33-43	G60UHV-36B-090	3008137
XC15-036-230 + TXV	36,600	14.50	12.20	CH33-43	G61MPV-36B-045	3008138
XC15-036-230 + TXV	36,600	14.70	12.20	CH33-43	G61MPV-36B-070	3008139
XC15-036-230 + TXV	36,600	14.50	12.20	CH33-43	G61MPV-36B-071	3008140
XC15-036-230 + TXV	36,600	14.70	12.20	CH33-43	G71MPP-36B-070	3008141
XC15-036-230 + TXV	36,400	14.00	12.00	CH33-43B		3008142
XC15-036-230 + TXV	36,400	15.20	12.70	CH33-43C	G61MPV-36C-090	3008143
XC15-036-230 + TXV	36,800	15.00	12.70	CH33-43C	G61MPV-60C-090	3008144
XC15-036-230 + TXV	36,800	14.70	12.50	CH33-43C	G61MPV-60C-091	3008145
XC15-036-230 + TXV	36,800	15.20	12.70	CH33-43C	G61MPV-60C-110	3008146
XC15-036-230 + TXV	36,800	15.20	12.70	CH33-43C	G61MPV-60C-111	3008147
XC15-036-230 + TXV	36,400	15.20	12.70	CH33-43C	G71MPP-36C-090	3008148

**NOTES:**

+ TXV = Matched with Thermostatic Expansion Valve.

Ratings are certified in accordance with USE certification program which is based on AHRI Standard 210/240; 95°F outdoor air temperature, 80°F db / 67°F wb entering evaporator air with 25 ft. of connecting refrigerant lines.

All ratings include the use of a blower time delay relay (TDR). All Lennox variable-speed furnaces and Air Handlers have time delay capabilities. Other Furnaces and Air Handlers may require an optional time delay relay (58M81) for field installation. See furnace or air handler specifications to determine if relay is needed.

Also see TXV Substitution Table.

## AHRI SYSTEM MATCHES

NOTE - For the latest up-to-date system matches please visit the AHRI web site at <http://www.ahridirectory.org>

Model No.	Cooling Btuh	SEER	EER	Indoor Coil or Air Handler	Furnace	AHRI Reference
XC15-036-230 + TXV	36,800	15.00	12.70	CH33-43C	G71MPP-60C-090	3008149
XC15-036-230 + TXV	36,800	15.20	12.70	CH33-43C	G71MPP-60C-110	3008150
XC15-036-230 + TXV	36,000	14.00	11.50	CH33-43C		3008151
XC15-036-230 + TXV	36,200	14.70	12.50	CH33-44/48	G60UHV-36B-090	3008152
XC15-036-230 + TXV	36,000	14.20	12.00	CH33-44/48	G61MPV-36B-045	3008153
XC15-036-230 + TXV	35,800	14.20	12.00	CH33-44/48	G61MPV-36B-070	3008154
XC15-036-230 + TXV	35,800	14.20	12.00	CH33-44/48	G61MPV-36B-071	3008155
XC15-036-230 + TXV	36,400	14.70	12.50	CH33-44/48	G61MPV-60C-090	3008156
XC15-036-230 + TXV	36,600	14.50	12.20	CH33-44/48	G61MPV-60C-091	3008157
XC15-036-230 + TXV	36,400	15.00	12.50	CH33-44/48	G61MPV-60C-110	3008158
XC15-036-230 + TXV	36,400	14.70	12.50	CH33-44/48	G61MPV-60C-111	3008159
XC15-036-230 + TXV	35,800	14.20	12.00	CH33-44/48	G71MPP-36B-070	3008160
XC15-036-230 + TXV	36,400	14.70	12.50	CH33-44/48	G71MPP-60C-090	3008161
XC15-036-230 + TXV	36,400	15.00	12.50	CH33-44/48	G71MPP-60C-110	3008162
XC15-036-230 + TXV	35,600	13.00	11.00	CH33-44/48		3008163
XC15-036-230 + TXV	36,200	15.00	12.70	CH33-48C	G61MPV-36C-090	3008164
XC15-036-230 + TXV	36,600	15.00	12.70	CH33-48C	G61MPV-60C-090	3008165
XC15-036-230 + TXV	36,800	14.70	12.50	CH33-48C	G61MPV-60C-091	3008166
XC15-036-230 + TXV	36,600	15.00	12.70	CH33-48C	G61MPV-60C-110	3008167
XC15-036-230 + TXV	36,600	15.00	12.70	CH33-48C	G61MPV-60C-111	3008168
XC15-036-230 + TXV	36,200	15.00	12.70	CH33-48C	G71MPP-36C-090	3008169
XC15-036-230 + TXV	36,600	15.00	12.70	CH33-48C	G71MPP-60C-090	3008170
XC15-036-230 + TXV	36,600	15.00	12.70	CH33-48C	G71MPP-60C-110	3008171
XC15-036-230 + TXV	35,800	13.00	11.00	CH33-48C		3008172
XC15-036-230 + TXV	36,800	15.20	12.70	CH33-49	G61MPV-36C-090	3008173
XC15-036-230 + TXV	37,200	15.20	12.70	CH33-49	G61MPV-60C-090	3008174
XC15-036-230 + TXV	37,200	15.00	12.50	CH33-49	G61MPV-60C-091	3008175
XC15-036-230 + TXV	37,200	15.20	12.70	CH33-49	G61MPV-60C-110	3008176
XC15-036-230 + TXV	37,200	15.20	12.70	CH33-49	G61MPV-60C-111	3008177
XC15-036-230 + TXV	36,800	15.20	12.70	CH33-49	G71MPP-36C-090	3008178
XC15-036-230 + TXV	37,200	15.20	12.70	CH33-49	G71MPP-60C-090	3008179
XC15-036-230 + TXV	37,200	15.20	12.70	CH33-49	G71MPP-60C-110	3008180
XC15-036-230 + TXV	36,600	15.20	12.70	CH33-50/60C	G61MPV-36C-090	3008181
XC15-036-230 + TXV	37,000	15.20	12.70	CH33-50/60C	G61MPV-60C-090	3008182
XC15-036-230 + TXV	37,200	15.00	12.50	CH33-50/60C	G61MPV-60C-091	3008183
XC15-036-230 + TXV	37,000	15.20	12.70	CH33-50/60C	G61MPV-60C-110	3008184
XC15-036-230 + TXV	37,000	15.20	12.70	CH33-50/60C	G61MPV-60C-111	3008185
XC15-036-230 + TXV	36,600	15.20	12.70	CH33-50/60C	G71MPP-36C-090	3008186
XC15-036-230 + TXV	37,000	15.20	12.70	CH33-50/60C	G71MPP-60C-090	3008187
XC15-036-230 + TXV	37,000	15.20	12.70	CH33-50/60C	G71MPP-60C-110	3008188
XC15-036-230 + TXV	36,200	14.00	11.50	CH33-50/60C		3008189

**NOTES:**

+ TXV = Matched with Thermostatic Expansion Valve.

Ratings are certified in accordance with USE certification program which is based on AHRI Standard 210/240; 95°F outdoor air temperature, 80°F db / 67°F wb entering evaporator air with 25 ft. of connecting refrigerant lines.

All ratings include the use of a blower time delay relay (TDR). All Lennox variable-speed furnaces and Air Handlers have time delay capabilities. Other Furnaces and Air Handlers may require an optional time delay relay (58M81) for field installation. See furnace or air handler specifications to determine if relay is needed.

Also see TXV Substitution Table.

## AHRI SYSTEM MATCHES

NOTE - For the latest up-to-date system matches please visit the AHRI web site at <http://www.ahridirectory.org>

Model No.	Cooling Btuh	SEER	EER	Indoor Coil or Air Handler	Furnace	AHRI Reference
XC15-036-230 + TXV	35,200	14.50	12.20	CR33-30/36	G60DFV-36B-090	3008190
XC15-036-230 + TXV	34,800	14.00	12.00	CR33-30/36	G61MPV-36B-045	3008191
XC15-036-230 + TXV	35,000	14.00	12.00	CR33-30/36	G61MPV-36B-070	3008192
XC15-036-230 + TXV	34,800	14.00	11.50	CR33-30/36	G61MPV-36B-071	3008193
XC15-036-230 + TXV	35,000	14.50	12.20	CR33-30/36	G61MPV-36C-090	3008194
XC15-036-230 + TXV	35,000	14.00	12.00	CR33-30/36	G71MPP-36B-070	3008195
XC15-036-230 + TXV	35,000	14.50	12.20	CR33-30/36	G71MPP-36C-090	3008196
XC15-036-230 + TXV	34,600	13.00	11.00	CR33-30/36		3008197
XC15-036-230 + TXV	35,400	14.70	12.20	CR33-48	G60DFV-36B-090	3008198
XC15-036-230 + TXV	35,200	14.00	11.50	CR33-48	G61MPV-36B-045	3008199
XC15-036-230 + TXV	35,200	14.20	12.00	CR33-48	G61MPV-36B-070	3008200
XC15-036-230 + TXV	35,000	14.20	12.00	CR33-48	G61MPV-36B-071	3008201
XC15-036-230 + TXV	35,200	14.70	12.50	CR33-48	G61MPV-36C-090	3008202
XC15-036-230 + TXV	35,200	14.20	12.00	CR33-48	G71MPP-36B-070	3008203
XC15-036-230 + TXV	35,200	14.70	12.50	CR33-48	G71MPP-36C-090	3008204
XC15-036-230 + TXV	34,800	13.00	11.00	CR33-48		3008205
XC15-036-230 + TXV	34,800	14.00	11.50	CX34-36	G60UHV-36A-070	3008206
XC15-036-230 + TXV	35,000	14.50	12.20	CX34-36	G60UHV-36B-090	3008207
XC15-036-230 + TXV	35,400	14.70	12.50	CX34-36	G60UHV-60C-110	3008208
XC15-036-230 + TXV	34,800	14.00	11.50	CX34-36	G61MPV-36B-045	3008209
XC15-036-230 + TXV	34,600	14.00	12.00	CX34-36	G61MPV-36B-070	3008210
XC15-036-230 + TXV	34,600	14.00	11.50	CX34-36	G61MPV-36B-071	3008211
XC15-036-230 + TXV	34,800	14.50	12.20	CX34-36	G61MPV-36C-090	3008212
XC15-036-230 + TXV	35,200	14.50	12.20	CX34-36	G61MPV-60C-090	3008213
XC15-036-230 + TXV	35,400	14.50	12.20	CX34-36	G61MPV-60C-110	3008214
XC15-036-230 + TXV	35,200	14.50	12.20	CX34-36	G61MPV-60C-111	3008215
XC15-036-230 + TXV	34,600	14.00	12.00	CX34-36	G71MPP-36B-070	3008216
XC15-036-230 + TXV	34,800	14.50	12.20	CX34-36	G71MPP-36C-090	3008217
XC15-036-230 + TXV	35,200	14.50	12.20	CX34-36	G71MPP-60C-090	3008218
XC15-036-230 + TXV	35,400	14.50	12.20	CX34-36	G71MPP-60C-110	3008219
XC15-036-230 + TXV	34,400	13.00	11.00	CX34-36		3008220
XC15-036-230 + TXV	36,000	14.50	12.20	CX34-38	G60UHV-36A-070	3008221
XC15-036-230 + TXV	35,800	14.70	12.50	CX34-38	G60UHV-36B-090	3008634
XC15-036-230 + TXV	36,000	14.20	12.00	CX34-38	G61MPV-36B-045	3008222
XC15-036-230 + TXV	36,000	14.50	12.20	CX34-38	G61MPV-36B-070	3008223
XC15-036-230 + TXV	36,000	14.50	12.20	CX34-38	G61MPV-36B-071	3008224
XC15-036-230 + TXV	36,000	14.50	12.20	CX34-38	G71MPP-36B-070	3008225
XC15-036-230 + TXV	35,400	13.50	11.50	CX34-38		3008226
XC15-036-230 + TXV	35,000	14.50	12.20	CX34-42	G60UHV-36B-090	3008227
XC15-036-230 + TXV	34,800	14.00	11.50	CX34-42	G61MPV-36B-045	3008228
XC15-036-230 + TXV	34,600	14.00	12.00	CX34-42	G61MPV-36B-070	3008229

**NOTES:**

+ TXV = Matched with Thermostatic Expansion Valve.

Ratings are certified in accordance with USE certification program which is based on AHRI Standard 210/240; 95°F outdoor air temperature, 80°F db / 67°F wb entering evaporator air with 25 ft. of connecting refrigerant lines.

All ratings include the use of a blower time delay relay (TDR). All Lennox variable-speed furnaces and Air Handlers have time delay capabilities. Other Furnaces and Air Handlers may require an optional time delay relay (58M81) for field installation. See furnace or air handler specifications to determine if relay is needed.

Also see TXV Substitution Table.



## AHRI SYSTEM MATCHES

NOTE - For the latest up-to-date system matches please visit the AHRI web site at <http://www.ahridirectory.org>

Model No.	Cooling Btuh	SEER	EER	Indoor Coil or Air Handler	Furnace	AHRI Reference
XC15-036-230 + TXV	34,600	14.00	11.50	CX34-42	G61MPV-36B-071	3008230
XC15-036-230 + TXV	34,600	14.00	12.00	CX34-42	G71MPP-36B-070	3008231
XC15-036-230 + TXV	34,400	13.00	11.00	CX34-42		3008232
XC15-036-230 + TXV	36,400	15.20	12.70	CX34-43	G60UHV-36B-090	3008233
XC15-036-230 + TXV	36,200	14.50	12.20	CX34-43	G61MPV-36B-045	3008234
XC15-036-230 + TXV	36,200	14.50	12.20	CX34-43	G61MPV-36B-070	3008235
XC15-036-230 + TXV	36,000	14.50	12.20	CX34-43	G61MPV-36B-071	3008236
XC15-036-230 + TXV	36,200	15.00	12.70	CX34-43	G61MPV-36C-090	3008237
XC15-036-230 + TXV	36,600	15.00	12.70	CX34-43	G61MPV-60C-090	3008238
XC15-036-230 + TXV	36,800	14.70	12.50	CX34-43	G61MPV-60C-091	3008239
XC15-036-230 + TXV	36,600	15.00	12.70	CX34-43	G61MPV-60C-110	3008240
XC15-036-230 + TXV	36,600	15.00	12.70	CX34-43	G61MPV-60C-111	3008241
XC15-036-230 + TXV	36,200	14.50	12.20	CX34-43	G71MPP-36B-070	3008242
XC15-036-230 + TXV	36,200	15.00	12.70	CX34-43	G71MPP-36C-090	3008243
XC15-036-230 + TXV	36,600	15.00	12.70	CX34-43	G71MPP-60C-090	3008244
XC15-036-230 + TXV	36,600	15.00	12.70	CX34-43	G71MPP-60C-110	3008245
XC15-036-230 + TXV	35,800	13.00	11.00	CX34-43		3008246
XC15-036-230 + TXV	36,000	15.00	12.50	CX34-44/48	G60UHV-36B-090	3008247
XC15-036-230 + TXV	35,800	14.20	12.00	CX34-44/48	G61MPV-36B-045	3008248
XC15-036-230 + TXV	35,600	14.50	12.20	CX34-44/48	G61MPV-36B-070	3008249
XC15-036-230 + TXV	35,600	14.50	12.20	CX34-44/48	G61MPV-36B-071	3008250
XC15-036-230 + TXV	35,800	15.00	12.50	CX34-44/48	G61MPV-36C-090	3008251
XC15-036-230 + TXV	36,200	15.00	12.50	CX34-44/48	G61MPV-60C-090	3008252
XC15-036-230 + TXV	36,200	14.70	12.20	CX34-44/48	G61MPV-60C-091	3008253
XC15-036-230 + TXV	36,200	15.00	12.50	CX34-44/48	G61MPV-60C-110	3008254
XC15-036-230 + TXV	36,200	15.00	12.50	CX34-44/48	G61MPV-60C-111	3008255
XC15-036-230 + TXV	35,600	14.50	12.20	CX34-44/48	G71MPP-36B-070	3008256
XC15-036-230 + TXV	35,800	15.00	12.50	CX34-44/48	G71MPP-36C-090	3008257
XC15-036-230 + TXV	36,200	15.00	12.50	CX34-44/48	G71MPP-60C-090	3008258
XC15-036-230 + TXV	36,200	15.00	12.50	CX34-44/48	G71MPP-60C-110	3008259
XC15-036-230 + TXV	35,200	13.00	11.00	CX34-44/48		3008260
XC15-036-230 + TXV	36,600	15.20	12.70	CX34-49	G61MPV-36C-090	3008261
XC15-036-230 + TXV	37,000	15.20	12.70	CX34-49	G61MPV-60C-090	3008262
XC15-036-230 + TXV	37,200	15.00	12.50	CX34-49	G61MPV-60C-091	3008263
XC15-036-230 + TXV	37,000	15.20	12.70	CX34-49	G61MPV-60C-110	3008264
XC15-036-230 + TXV	37,000	15.20	12.70	CX34-49	G61MPV-60C-111	3008265
XC15-036-230 + TXV	36,600	15.20	12.70	CX34-49	G71MPP-36C-090	3008266
XC15-036-230 + TXV	37,000	15.20	12.70	CX34-49	G71MPP-60C-090	3008267
XC15-036-230 + TXV	37,000	15.20	12.70	CX34-49	G71MPP-60C-110	3008268
XC15-036-230 + TXV	36,200	15.00	12.70	CX34-50/60C	G61MPV-36C-090	3008269
XC15-036-230 + TXV	36,600	15.00	12.70	CX34-50/60C	G61MPV-60C-090	3008270

**NOTES:**

+ TXV = Matched with Thermostatic Expansion Valve.

Ratings are certified in accordance with USE certification program which is based on AHRI Standard 210/240; 95°F outdoor air temperature, 80°F db / 67°F wb entering evaporator air with 25 ft. of connecting refrigerant lines.

All ratings include the use of a blower time delay relay (TDR). All Lennox variable-speed furnaces and Air Handlers have time delay capabilities. Other Furnaces and Air Handlers may require an optional time delay relay (58M81) for field installation. See furnace or air handler specifications to determine if relay is needed.

Also see TXV Substitution Table.

## AHRI SYSTEM MATCHES

NOTE - For the latest up-to-date system matches please visit the AHRI web site at <http://www.ahridirectory.org>

Model No.	Cooling Btuh	SEER	EER	Indoor Coil or Air Handler	Furnace	AHRI Reference
XC15-036-230 + TXV	36,600	14.70	12.50	CX34-50/60C	G61MPV-60C-091	3008271
XC15-036-230 + TXV	36,600	15.00	12.70	CX34-50/60C	G61MPV-60C-110	3008272
XC15-036-230 + TXV	36,600	15.00	12.70	CX34-50/60C	G61MPV-60C-111	3008273
XC15-036-230 + TXV	36,200	15.00	12.70	CX34-50/60C	G71MPP-36C-090	3008274
XC15-036-230 + TXV	36,600	15.00	12.70	CX34-50/60C	G71MPP-60C-090	3008275
XC15-036-230 + TXV	36,600	15.00	12.70	CX34-50/60C	G71MPP-60C-110	3008276
XC15-036-230 + TXV	35,800	13.00	11.00	CX34-50/60C		3008277
XC15-036-230 + TXV	35,800	13.00	11.00	CX34-60D		3387494
XC15-036-230 + TXV	37,000	15.50	13.00	CX34-62C	G61MPV-36C-090	3008278
XC15-036-230 + TXV	37,400	15.20	13.00	CX34-62C	G61MPV-60C-090	3008279
XC15-036-230 + TXV	37,600	15.00	12.70	CX34-62C	G61MPV-60C-091	3008280
XC15-036-230 + TXV	37,400	15.50	13.00	CX34-62C	G61MPV-60C-110	3008281
XC15-036-230 + TXV	37,400	15.20	13.00	CX34-62C	G61MPV-60C-111	3008282
XC15-036-230 + TXV	37,000	15.50	13.00	CX34-62C	G71MPP-36C-090	3008283
XC15-036-230 + TXV	37,400	15.20	13.00	CX34-62C	G71MPP-60C-090	3008284
XC15-036-230 + TXV	37,400	15.50	13.00	CX34-62C	G71MPP-60C-110	3008285
XC15-042-230 + TXV	40,000	14.50	12.00	C33-38	G60UHV-36B-090	3008286
XC15-042-230 + TXV	39,500	13.00	11.00	C33-38	G61MPV-36B-045	3008287
XC15-042-230 + TXV	39,500	13.00	11.00	C33-38	G61MPV-36B-070	3008288
XC15-042-230 + TXV	39,500	13.00	11.00	C33-38	G61MPV-36B-071	3008289
XC15-042-230 + TXV	39,500	13.00	11.00	C33-38	G71MPP-36B-070	3008290
XC15-042-230 + TXV	39,500	13.00	11.00	C33-38		3008291
XC15-042-230 + TXV	39,500	13.00	11.00	C33-38B		3293438
XC15-042-230 + TXV	38,500	14.00	11.50	C33-42	G60UHV-36B-090	3008292
XC15-042-230 + TXV	37,800	13.00	11.00	C33-42	G61MPV-36B-045	3008293
XC15-042-230 + TXV	38,000	13.00	11.00	C33-42	G61MPV-36B-070	3008294
XC15-042-230 + TXV	37,800	13.00	11.00	C33-42	G61MPV-36B-071	3008295
XC15-042-230 + TXV	38,000	13.00	11.00	C33-42	G71MPP-36B-070	3008296
XC15-042-230 + TXV	38,000	13.00	10.90	C33-42		3008297
XC15-042-230 + TXV	40,000	14.50	12.00	C33-43	G60UHV-36B-090	3008298
XC15-042-230 + TXV	40,500	15.00	12.20	C33-43	G60UHV-60C-090	3008299
XC15-042-230 + TXV	40,500	14.70	12.20	C33-43	G60UHV-60C-110	3008300
XC15-042-230 + TXV	39,500	13.00	11.00	C33-43	G61MPV-36B-045	3008301
XC15-042-230 + TXV	40,000	13.00	11.00	C33-43	G61MPV-36B-070	3008302
XC15-042-230 + TXV	39,500	13.00	11.00	C33-43	G61MPV-36B-071	3008303
XC15-042-230 + TXV	40,000	14.50	11.70	C33-43	G61MPV-36C-090	3008304
XC15-042-230 + TXV	40,500	14.50	12.00	C33-43	G61MPV-60C-090	3008305
XC15-042-230 + TXV	40,500	14.50	12.00	C33-43	G61MPV-60C-091	3008306
XC15-042-230 + TXV	40,500	14.70	12.20	C33-43	G61MPV-60C-110	3008307
XC15-042-230 + TXV	40,500	14.70	12.00	C33-43	G61MPV-60C-111	3008308
XC15-042-230 + TXV	40,000	13.00	11.00	C33-43	G71MPP-36B-070	3008309

**NOTES:**

+ TXV = Matched with Thermostatic Expansion Valve.

Ratings are certified in accordance with USE certification program which is based on AHRI Standard 210/240; 95°F outdoor air temperature, 80°F db / 67°F wb entering evaporator air with 25 ft. of connecting refrigerant lines.

All ratings include the use of a blower time delay relay (TDR). All Lennox variable-speed furnaces and Air Handlers have time delay capabilities. Other Furnaces and Air Handlers may require an optional time delay relay (58M81) for field installation. See furnace or air handler specifications to determine if relay is needed.

Also see TXV Substitution Table.

## AHRI SYSTEM MATCHES

NOTE - For the latest up-to-date system matches please visit the AHRI web site at <http://www.ahridirectory.org>

Model No.	Cooling Btuh	SEER	EER	Indoor Coil or Air Handler	Furnace	AHRI Reference
XC15-042-230 + TXV	40,000	14.50	11.70	C33-43	G71MPP-36C-090	3008310
XC15-042-230 + TXV	40,500	14.50	12.00	C33-43	G71MPP-60C-090	3008311
XC15-042-230 + TXV	40,500	14.70	12.20	C33-43	G71MPP-60C-110	3008312
XC15-042-230 + TXV	39,500	13.00	11.00	C33-43		3008313
XC15-042-230 + TXV	39,500	14.70	12.00	C33-44C	G60UHV-60C-090	3008314
XC15-042-230 + TXV	39,500	14.50	11.70	C33-44C	G60UHV-60C-110	3008315
XC15-042-230 + TXV	39,500	14.00	11.50	C33-44C	G61MPV-36C-090	3008316
XC15-042-230 + TXV	39,500	14.20	11.70	C33-44C	G61MPV-60C-090	3008317
XC15-042-230 + TXV	39,500	14.00	11.50	C33-44C	G61MPV-60C-091	3008318
XC15-042-230 + TXV	39,500	14.20	11.70	C33-44C	G61MPV-60C-110	3008319
XC15-042-230 + TXV	39,500	14.20	11.70	C33-44C	G61MPV-60C-111	3008320
XC15-042-230 + TXV	39,500	14.00	11.50	C33-44C	G71MPP-36C-090	3008321
XC15-042-230 + TXV	39,500	14.20	11.70	C33-44C	G71MPP-60C-090	3008322
XC15-042-230 + TXV	39,500	14.20	11.70	C33-44C	G71MPP-60C-110	3008323
XC15-042-230 + TXV	39,500	14.20	11.70	C33-48	G60UHV-36B-090	3008324
XC15-042-230 + TXV	39,500	14.70	12.00	C33-48	G60UHV-60C-090	3008325
XC15-042-230 + TXV	39,500	14.50	11.70	C33-48	G60UHV-60C-110	3008326
XC15-042-230 + TXV	39,000	13.00	11.00	C33-48	G61MPV-36B-045	3008327
XC15-042-230 + TXV	39,500	13.00	11.00	C33-48	G61MPV-36B-070	3008328
XC15-042-230 + TXV	39,000	13.00	11.00	C33-48	G61MPV-36B-071	3008329
XC15-042-230 + TXV	39,500	14.00	11.50	C33-48	G61MPV-36C-090	3008330
XC15-042-230 + TXV	39,500	14.20	11.50	C33-48	G61MPV-60C-090	3008331
XC15-042-230 + TXV	39,500	14.00	11.50	C33-48	G61MPV-60C-091	3008332
XC15-042-230 + TXV	39,500	14.50	11.70	C33-48	G61MPV-60C-110	3008333
XC15-042-230 + TXV	39,500	14.20	11.70	C33-48	G61MPV-60C-111	3008334
XC15-042-230 + TXV	39,500	13.00	11.00	C33-48	G71MPP-36B-070	3008335
XC15-042-230 + TXV	39,500	14.00	11.50	C33-48	G71MPP-36C-090	3008336
XC15-042-230 + TXV	39,500	14.20	11.50	C33-48	G71MPP-60C-090	3008337
XC15-042-230 + TXV	39,500	14.50	11.70	C33-48	G71MPP-60C-110	3008338
XC15-042-230 + TXV	39,000	13.00	11.00	C33-48		3008339
XC15-042-230 + TXV	40,500	15.20	12.20	C33-49	G60UHV-60C-090	3008340
XC15-042-230 + TXV	41,000	14.70	12.00	C33-49	G60UHV-60C-110	3008635
XC15-042-230 + TXV	40,500	14.50	12.00	C33-49	G61MPV-36C-090	3008341
XC15-042-230 + TXV	41,000	14.70	12.20	C33-49	G61MPV-60C-090	3008342
XC15-042-230 + TXV	41,000	14.50	12.00	C33-49	G61MPV-60C-091	3008343
XC15-042-230 + TXV	41,000	15.00	12.20	C33-49	G61MPV-60C-110	3008344
XC15-042-230 + TXV	41,000	14.70	12.20	C33-49	G61MPV-60C-111	3008345
XC15-042-230 + TXV	40,500	14.50	12.00	C33-49	G71MPP-36C-090	3008346
XC15-042-230 + TXV	41,000	14.70	12.20	C33-49	G71MPP-60C-090	3008347
XC15-042-230 + TXV	41,000	15.00	12.20	C33-49	G71MPP-60C-110	3008348
XC15-042-230 + TXV	40,000	13.00	11.00	C33-49		3008349

**NOTES:**

+ TXV = Matched with Thermostatic Expansion Valve.

Ratings are certified in accordance with USE certification program which is based on AHRI Standard 210/240; 95°F outdoor air temperature, 80°F db / 67°F wb entering evaporator air with 25 ft. of connecting refrigerant lines.

All ratings include the use of a blower time delay relay (TDR). All Lennox variable-speed furnaces and Air Handlers have time delay capabilities. Other Furnaces and Air Handlers may require an optional time delay relay (58M81) for field installation. See furnace or air handler specifications to determine if relay is needed.

Also see TXV Substitution Table.

## AHRI SYSTEM MATCHES

NOTE - For the latest up-to-date system matches please visit the AHRI web site at <http://www.ahridirectory.org>

Model No.	Cooling Btuh	SEER	EER	Indoor Coil or Air Handler	Furnace	AHRI Reference
XC15-042-230 + TXV	40,000	14.70	12.00	C33-50/60C	G60UHV-60C-090	3008350
XC15-042-230 + TXV	40,000	14.50	12.00	C33-50/60C	G60UHV-60C-110	3008351
XC15-042-230 + TXV	40,000	14.20	11.70	C33-50/60C	G61MPV-36C-090	3008352
XC15-042-230 + TXV	40,000	14.20	11.70	C33-50/60C	G61MPV-60C-090	3008353
XC15-042-230 + TXV	40,000	14.20	11.70	C33-50/60C	G61MPV-60C-091	3008354
XC15-042-230 + TXV	40,000	14.50	12.00	C33-50/60C	G61MPV-60C-110	3008355
XC15-042-230 + TXV	40,000	14.50	11.70	C33-50/60C	G61MPV-60C-111	3008356
XC15-042-230 + TXV	40,000	14.20	11.70	C33-50/60C	G71MPP-36C-090	3008357
XC15-042-230 + TXV	40,000	14.20	11.70	C33-50/60C	G71MPP-60C-090	3008358
XC15-042-230 + TXV	40,000	14.50	12.00	C33-50/60C	G71MPP-60C-110	3008359
XC15-042-230 + TXV	39,500	13.00	11.00	C33-50/60C		3008360
XC15-042-230 + TXV	41,000	15.20	12.50	C33-62C	G60UHV-60C-090	3008361
XC15-042-230 + TXV	41,500	15.20	12.50	C33-62C	G60UHV-60C-110	3008362
XC15-042-230 + TXV	41,000	14.70	12.00	C33-62C	G61MPV-36C-090	3008363
XC15-042-230 + TXV	41,500	15.00	12.20	C33-62C	G61MPV-60C-090	3008364
XC15-042-230 + TXV	41,000	14.70	12.00	C33-62C	G61MPV-60C-091	3008365
XC15-042-230 + TXV	41,000	15.00	12.20	C33-62C	G61MPV-60C-110	3008366
XC15-042-230 + TXV	41,000	15.00	12.20	C33-62C	G61MPV-60C-111	3008367
XC15-042-230 + TXV	41,000	14.70	12.00	C33-62C	G71MPP-36C-090	3008368
XC15-042-230 + TXV	41,500	15.00	12.20	C33-62C	G71MPP-60C-090	3008369
XC15-042-230 + TXV	41,000	15.00	12.20	C33-62C	G71MPP-60C-110	3008370
XC15-042-230 + TXV	40,500	15.00	12.20	CB27UH-042-230		3008371
XC15-042-230 + TXV	40,500	14.70	12.20	CB27UH-048-230		3008372
XC15-042-230 + TXV	38,500	13.00	11.00	CB30M-41P		3008373
XC15-042-230 + TXV	39,000	13.00	11.00	CB30M-46P		3008374
XC15-042-230 + TXV	40,000	14.20	11.70	CB30M-51P		3008375
XC15-042-230 + TXV	40,500	15.00	12.20	CBX27UH-042-230		3008376
XC15-042-230 + TXV	40,500	14.70	12.20	CBX27UH-048-230		3008377
XC15-042-230 + TXV	38,500	13.00	11.00	CBX32M-036		3008378
XC15-042-230 + TXV	39,000	13.00	11.00	CBX32M-042		3008379
XC15-042-230 + TXV	40,000	14.20	11.70	CBX32M-048		3008380
XC15-042-230 + TXV	39,000	14.00	11.50	CBX32MV-036		3008381
XC15-042-230 + TXV	40,500	15.00	12.20	CBX32MV-048		3008382
XC15-042-230 + TXV	39,000	14.00	11.50	CBX40UHV-036		3291685
XC15-042-230 + TXV	40,500	15.00	12.20	CBX40UHV-042		3291710
XC15-042-230 + TXV	40,500	15.00	12.20	CBX40UHV-048		3291794
XC15-042-230 + TXV	39,000	14.20	11.70	CH23-51	G60UHV-36B-090	3008383
XC15-042-230 + TXV	39,000	14.70	12.00	CH23-51	G60UHV-60C-090	3008384
XC15-042-230 + TXV	39,500	14.50	12.00	CH23-51	G60UHV-60C-110	3008385
XC15-042-230 + TXV	38,500	13.00	11.00	CH23-51	G61MPV-36B-045	3008386
XC15-042-230 + TXV	39,000	13.00	11.00	CH23-51	G61MPV-36B-070	3008387

**NOTES:**

+ TXV = Matched with Thermostatic Expansion Valve.

Ratings are certified in accordance with USE certification program which is based on AHRI Standard 210/240; 95°F outdoor air temperature, 80°F db / 67°F wb entering evaporator air with 25 ft. of connecting refrigerant lines.

All ratings include the use of a blower time delay relay (TDR). All Lennox variable-speed furnaces and Air Handlers have time delay capabilities. Other Furnaces and Air Handlers may require an optional time delay relay (58M81) for field installation. See furnace or air handler specifications to determine if relay is needed.

Also see TXV Substitution Table.

## AHRI SYSTEM MATCHES

NOTE - For the latest up-to-date system matches please visit the AHRI web site at <http://www.ahridirectory.org>

Model No.	Cooling Btuh	SEER	EER	Indoor Coil or Air Handler	Furnace	AHRI Reference
XC15-042-230 + TXV	38,500	13.00	11.00	CH23-51	G61MPV-36B-071	3008388
XC15-042-230 + TXV	39,000	14.20	11.70	CH23-51	G61MPV-36C-090	3008389
XC15-042-230 + TXV	39,500	14.20	11.70	CH23-51	G61MPV-60C-090	3008390
XC15-042-230 + TXV	39,000	14.00	11.50	CH23-51	G61MPV-60C-091	3008391
XC15-042-230 + TXV	39,500	14.50	12.00	CH23-51	G61MPV-60C-110	3008392
XC15-042-230 + TXV	39,000	14.20	11.70	CH23-51	G61MPV-60C-111	3008393
XC15-042-230 + TXV	39,000	13.00	11.00	CH23-51	G71MPP-36B-070	3008394
XC15-042-230 + TXV	39,000	14.20	11.70	CH23-51	G71MPP-36C-090	3008395
XC15-042-230 + TXV	39,500	14.20	11.70	CH23-51	G71MPP-60C-090	3008396
XC15-042-230 + TXV	39,500	14.50	12.00	CH23-51	G71MPP-60C-110	3008397
XC15-042-230 + TXV	38,500	13.00	11.00	CH23-51		3008398
XC15-042-230 + TXV	39,500	14.50	11.70	CH23-65	G60UHV-36B-090	3008399
XC15-042-230 + TXV	39,500	14.70	12.00	CH23-65	G60UHV-60C-090	3008400
XC15-042-230 + TXV	39,500	14.70	12.00	CH23-65	G60UHV-60C-110	3008401
XC15-042-230 + TXV	39,000	13.00	11.00	CH23-65	G61MPV-36B-045	3008402
XC15-042-230 + TXV	39,000	14.00	11.50	CH23-65	G61MPV-36B-070	3008403
XC15-042-230 + TXV	39,000	14.00	11.50	CH23-65	G61MPV-36B-071	3008404
XC15-042-230 + TXV	39,500	14.20	11.70	CH23-65	G61MPV-36C-090	3008405
XC15-042-230 + TXV	39,500	14.50	11.70	CH23-65	G61MPV-60C-090	3008406
XC15-042-230 + TXV	39,500	14.20	11.70	CH23-65	G61MPV-60C-091	3008407
XC15-042-230 + TXV	39,500	14.50	12.00	CH23-65	G61MPV-60C-110	3008408
XC15-042-230 + TXV	39,500	14.50	11.70	CH23-65	G61MPV-60C-111	3008409
XC15-042-230 + TXV	39,000	14.00	11.50	CH23-65	G71MPP-36B-070	3008410
XC15-042-230 + TXV	39,500	14.20	11.70	CH23-65	G71MPP-36C-090	3008411
XC15-042-230 + TXV	39,500	14.50	11.70	CH23-65	G71MPP-60C-090	3008412
XC15-042-230 + TXV	39,500	14.50	12.00	CH23-65	G71MPP-60C-110	3008413
XC15-042-230 + TXV	39,000	13.00	11.00	CH23-65		3008414
XC15-042-230 + TXV	40,500	15.00	12.20	CH23-68	G60UHV-36B-090	3008415
XC15-042-230 + TXV	41,000	15.20	12.50	CH23-68	G60UHV-60C-090	3008416
XC15-042-230 + TXV	41,000	15.00	12.20	CH23-68	G60UHV-60C-110	3008417
XC15-042-230 + TXV	40,000	14.20	11.50	CH23-68	G61MPV-36B-045	3008418
XC15-042-230 + TXV	40,500	14.20	11.70	CH23-68	G61MPV-36B-070	3008419
XC15-042-230 + TXV	40,000	14.20	11.70	CH23-68	G61MPV-36B-071	3008420
XC15-042-230 + TXV	40,500	14.70	12.00	CH23-68	G61MPV-36C-090	3008421
XC15-042-230 + TXV	41,000	14.70	12.20	CH23-68	G61MPV-60C-090	3008422
XC15-042-230 + TXV	41,000	14.50	12.00	CH23-68	G61MPV-60C-091	3008423
XC15-042-230 + TXV	41,000	15.00	12.20	CH23-68	G61MPV-60C-110	3008424
XC15-042-230 + TXV	41,000	14.70	12.20	CH23-68	G61MPV-60C-111	3008425
XC15-042-230 + TXV	40,500	14.20	11.70	CH23-68	G71MPP-36B-070	3008426
XC15-042-230 + TXV	40,500	14.70	12.00	CH23-68	G71MPP-36C-090	3008427
XC15-042-230 + TXV	41,000	14.70	12.20	CH23-68	G71MPP-60C-090	3008428

### NOTES:

+ TXV = Matched with Thermostatic Expansion Valve.

Ratings are certified in accordance with USE certification program which is based on AHRI Standard 210/240; 95°F outdoor air temperature, 80°F db / 67°F wb entering evaporator air with 25 ft. of connecting refrigerant lines.

All ratings include the use of a blower time delay relay (TDR). All Lennox variable-speed furnaces and Air Handlers have time delay capabilities. Other Furnaces and Air Handlers may require an optional time delay relay (58M81) for field installation. See furnace or air handler specifications to determine if relay is needed.

Also see TXV Substitution Table.



## AHRI SYSTEM MATCHES

NOTE - For the latest up-to-date system matches please visit the AHRI web site at <http://www.ahridirectory.org>

Model No.	Cooling Btuh	SEER	EER	Indoor Coil or Air Handler	Furnace	AHRI Reference
XC15-042-230 + TXV	41,000	15.00	12.20	CH23-68	G71MPP-60C-110	3008429
XC15-042-230 + TXV	40,500	13.00	11.00	CH23-68		3008430
XC15-042-230 + TXV	39,500	14.20	11.70	CH33-42	G60UHV-36B-090	3008431
XC15-042-230 + TXV	39,000	13.00	11.00	CH33-42	G61MPV-36B-045	3008432
XC15-042-230 + TXV	39,000	13.00	11.00	CH33-42	G61MPV-36B-070	3008433
XC15-042-230 + TXV	39,000	13.00	11.00	CH33-42	G61MPV-36B-071	3008434
XC15-042-230 + TXV	39,000	13.00	11.00	CH33-42	G71MPP-36B-070	3008435
XC15-042-230 + TXV	39,000	13.00	11.00	CH33-42		3008436
XC15-042-230 + TXV	40,500	14.70	12.00	CH33-43B	G60UHV-36B-090	3008437
XC15-042-230 + TXV	40,000	14.00	11.50	CH33-43B	G61MPV-36B-045	3008438
XC15-042-230 + TXV	40,500	14.00	11.50	CH33-43B	G61MPV-36B-070	3008439
XC15-042-230 + TXV	40,000	14.00	11.50	CH33-43B	G61MPV-36B-071	3008440
XC15-042-230 + TXV	40,500	14.00	11.50	CH33-43B	G71MPP-36B-070	3008441
XC15-042-230 + TXV	40,000	13.00	11.00	CH33-43B		3008442
XC15-042-230 + TXV	40,500	15.00	12.50	CH33-43C	G60UHV-60C-090	3008443
XC15-042-230 + TXV	40,500	15.00	12.20	CH33-43C	G60UHV-60C-110	3008444
XC15-042-230 + TXV	40,500	14.50	12.00	CH33-43C	G61MPV-36C-090	3008445
XC15-042-230 + TXV	40,500	14.50	12.00	CH33-43C	G61MPV-60C-090	3008446
XC15-042-230 + TXV	40,500	14.50	12.00	CH33-43C	G61MPV-60C-091	3008447
XC15-042-230 + TXV	40,500	14.70	12.20	CH33-43C	G61MPV-60C-110	3008448
XC15-042-230 + TXV	40,500	14.70	12.00	CH33-43C	G61MPV-60C-111	3008449
XC15-042-230 + TXV	40,500	14.50	12.00	CH33-43C	G71MPP-36C-090	3008450
XC15-042-230 + TXV	40,500	14.50	12.00	CH33-43C	G71MPP-60C-090	3008451
XC15-042-230 + TXV	40,500	14.70	12.20	CH33-43C	G71MPP-60C-110	3008452
XC15-042-230 + TXV	40,000	13.00	11.00	CH33-43C		3008453
XC15-042-230 + TXV	40,000	14.50	12.00	CH33-44/48	G60UHV-36B-090	3008454
XC15-042-230 + TXV	39,500	13.00	11.00	CH33-44/48	G61MPV-36B-045	3008455
XC15-042-230 + TXV	39,500	14.00	11.50	CH33-44/48	G61MPV-36B-070	3008456
XC15-042-230 + TXV	39,500	14.00	11.50	CH33-44/48	G61MPV-36B-071	3008457
XC15-042-230 + TXV	39,500	14.00	11.50	CH33-44/48	G71MPP-36B-070	3008458
XC15-042-230 + TXV	39,500	13.00	11.00	CH33-44/48		3008459
XC15-042-230 + TXV	40,000	14.70	12.00	CH33-48C	G60UHV-60C-090	3008460
XC15-042-230 + TXV	40,000	14.50	12.00	CH33-48C	G60UHV-60C-110	3008461
XC15-042-230 + TXV	40,000	14.20	11.70	CH33-48C	G61MPV-36C-090	3008462
XC15-042-230 + TXV	40,000	14.20	11.70	CH33-48C	G61MPV-60C-090	3008463
XC15-042-230 + TXV	40,000	14.20	11.70	CH33-48C	G61MPV-60C-091	3008464
XC15-042-230 + TXV	40,000	14.50	12.00	CH33-48C	G61MPV-60C-110	3008465
XC15-042-230 + TXV	40,000	14.50	12.00	CH33-48C	G61MPV-60C-111	3008466
XC15-042-230 + TXV	40,000	14.20	11.70	CH33-48C	G71MPP-36C-090	3008467
XC15-042-230 + TXV	40,000	14.20	11.70	CH33-48C	G71MPP-60C-090	3008468
XC15-042-230 + TXV	40,000	14.50	12.00	CH33-48C	G71MPP-60C-110	3008469

**NOTES:**

+ TXV = Matched with Thermostatic Expansion Valve.

Ratings are certified in accordance with USE certification program which is based on AHRI Standard 210/240; 95°F outdoor air temperature, 80°F db / 67°F wb entering evaporator air with 25 ft. of connecting refrigerant lines.

All ratings include the use of a blower time delay relay (TDR). All Lennox variable-speed furnaces and Air Handlers have time delay capabilities. Other Furnaces and Air Handlers may require an optional time delay relay (58M81) for field installation. See furnace or air handler specifications to determine if relay is needed.

Also see TXV Substitution Table.

## AHRI SYSTEM MATCHES

NOTE - For the latest up-to-date system matches please visit the AHRI web site at <http://www.ahridirectory.org>

Model No.	Cooling Btuh	SEER	EER	Indoor Coil or Air Handler	Furnace	AHRI Reference
XC15-042-230 + TXV	39,500	13.00	11.00	CH33-48C		3008470
XC15-042-230 + TXV	40,500	15.00	12.20	CH33-49	G60UHV-60C-090	3008471
XC15-042-230 + TXV	41,000	14.70	12.20	CH33-49	G60UHV-60C-110	3008472
XC15-042-230 + TXV	40,500	14.50	11.70	CH33-49	G61MPV-36C-090	3008473
XC15-042-230 + TXV	41,000	14.50	12.00	CH33-49	G61MPV-60C-090	3008474
XC15-042-230 + TXV	41,000	14.50	12.00	CH33-49	G61MPV-60C-091	3008475
XC15-042-230 + TXV	41,000	14.70	12.20	CH33-49	G61MPV-60C-110	3008476
XC15-042-230 + TXV	40,500	14.70	12.00	CH33-49	G61MPV-60C-111	3008477
XC15-042-230 + TXV	40,500	14.50	11.70	CH33-49	G71MPP-36C-090	3008478
XC15-042-230 + TXV	41,000	14.50	12.00	CH33-49	G71MPP-60C-090	3008479
XC15-042-230 + TXV	41,000	14.70	12.20	CH33-49	G71MPP-60C-110	3008480
XC15-042-230 + TXV	40,500	13.00	11.00	CH33-49		3008481
XC15-042-230 + TXV	40,500	15.00	12.20	CH33-50/60C	G60UHV-60C-090	3008482
XC15-042-230 + TXV	40,500	14.70	12.00	CH33-50/60C	G60UHV-60C-110	3008483
XC15-042-230 + TXV	40,500	14.50	11.70	CH33-50/60C	G61MPV-36C-090	3008484
XC15-042-230 + TXV	40,500	14.50	12.00	CH33-50/60C	G61MPV-60C-090	3008485
XC15-042-230 + TXV	40,500	14.50	11.70	CH33-50/60C	G61MPV-60C-091	3008486
XC15-042-230 + TXV	40,500	14.70	12.00	CH33-50/60C	G61MPV-60C-110	3008487
XC15-042-230 + TXV	40,500	14.50	12.00	CH33-50/60C	G61MPV-60C-111	3008488
XC15-042-230 + TXV	40,500	14.50	11.70	CH33-50/60C	G71MPP-36C-090	3008489
XC15-042-230 + TXV	40,500	14.50	12.00	CH33-50/60C	G71MPP-60C-090	3008490
XC15-042-230 + TXV	40,500	14.70	12.00	CH33-50/60C	G71MPP-60C-110	3008491
XC15-042-230 + TXV	40,000	13.00	11.00	CH33-50/60C		3008492
XC15-042-230 + TXV	40,000	13.00	11.00	CH33-60D		3008493
XC15-042-230 + TXV	40,000	13.00	11.00	CH33-62D		3008494
XC15-042-230 + TXV	39,000	14.00	11.50	CR33-48	G60DFV-36B-090	3008495
XC15-042-230 + TXV	39,000	14.50	11.70	CR33-48	G60DFV-60C-090	3008496
XC15-042-230 + TXV	39,000	14.20	11.70	CR33-48	G60DFV-60C-110	3008497
XC15-042-230 + TXV	38,500	13.00	11.00	CR33-48	G61MPV-36B-045	3008498
XC15-042-230 + TXV	38,500	13.00	11.00	CR33-48	G61MPV-36B-070	3008499
XC15-042-230 + TXV	38,500	13.00	11.00	CR33-48	G61MPV-36B-071	3008500
XC15-042-230 + TXV	38,500	14.00	11.50	CR33-48	G61MPV-36C-090	3008501
XC15-042-230 + TXV	39,000	14.00	11.50	CR33-48	G61MPV-60C-090	3008502
XC15-042-230 + TXV	38,500	14.00	11.50	CR33-48	G61MPV-60C-091	3008503
XC15-042-230 + TXV	39,000	14.20	11.70	CR33-48	G61MPV-60C-110	3008504
XC15-042-230 + TXV	39,000	14.00	11.70	CR33-48	G61MPV-60C-111	3008505
XC15-042-230 + TXV	38,500	13.00	11.00	CR33-48	G71MPP-36B-070	3008506
XC15-042-230 + TXV	38,500	14.00	11.50	CR33-48	G71MPP-36C-090	3008507
XC15-042-230 + TXV	39,000	14.00	11.50	CR33-48	G71MPP-60C-090	3008508
XC15-042-230 + TXV	39,000	14.20	11.70	CR33-48	G71MPP-60C-110	3008509
XC15-042-230 + TXV	38,500	13.00	11.00	CR33-48		3008510

**NOTES:**

+ TXV = Matched with Thermostatic Expansion Valve.

Ratings are certified in accordance with USE certification program which is based on AHRI Standard 210/240; 95°F outdoor air temperature, 80°F db / 67°F wb entering evaporator air with 25 ft. of connecting refrigerant lines.

All ratings include the use of a blower time delay relay (TDR). All Lennox variable-speed furnaces and Air Handlers have time delay capabilities. Other Furnaces and Air Handlers may require an optional time delay relay (58M81) for field installation. See furnace or air handler specifications to determine if relay is needed.

Also see TXV Substitution Table.

## AHRI SYSTEM MATCHES

NOTE - For the latest up-to-date system matches please visit the AHRI web site at <http://www.ahridirectory.org>

Model No.	Cooling Btuh	SEER	EER	Indoor Coil or Air Handler	Furnace	AHRI Reference
XC15-042-230 + TXV	40,000	15.00	12.20	CR33-50/60	G60DFV-60C-090	3008511
XC15-042-230 + TXV	40,500	14.70	12.20	CR33-50/60	G60DFV-60C-110	3008512
XC15-042-230 + TXV	40,000	14.50	11.70	CR33-50/60	G61MPV-36C-090	3008513
XC15-042-230 + TXV	40,000	14.50	12.00	CR33-50/60	G61MPV-60C-090	3008514
XC15-042-230 + TXV	40,000	14.20	11.70	CR33-50/60	G61MPV-60C-091	3008515
XC15-042-230 + TXV	40,000	14.70	12.00	CR33-50/60	G61MPV-60C-110	3008516
XC15-042-230 + TXV	40,000	14.50	12.00	CR33-50/60	G61MPV-60C-111	3008517
XC15-042-230 + TXV	40,000	14.50	11.70	CR33-50/60	G71MPP-36C-090	3008518
XC15-042-230 + TXV	40,000	14.50	12.00	CR33-50/60	G71MPP-60C-090	3008519
XC15-042-230 + TXV	40,000	14.70	12.00	CR33-50/60	G71MPP-60C-110	3008520
XC15-042-230 + TXV	39,500	13.00	11.00	CR33-50/60		3008521
XC15-042-230 + TXV	40,500	15.00	12.20	CR33-60	G60DFV-60D-135	3008522
XC15-042-230 + TXV	40,000	15.00	12.20	CR33-60	G61MPV-60D-135	3008523
XC15-042-230 + TXV	40,000	15.00	12.20	CR33-60	G71MPP-60D-135	3008524
XC15-042-230 + TXV	39,500	13.00	11.00	CR33-60		3008525
XC15-042-230 + TXV	40,000	14.50	12.00	CX34-38	G60UHV-36B-090	3008526
XC15-042-230 + TXV	39,500	13.00	11.00	CX34-38	G61MPV-36B-045	3008527
XC15-042-230 + TXV	39,500	13.00	11.00	CX34-38	G61MPV-36B-070	3008528
XC15-042-230 + TXV	39,500	13.00	11.00	CX34-38	G61MPV-36B-071	3008529
XC15-042-230 + TXV	39,500	13.00	11.00	CX34-38	G71MPP-36B-070	3008530
XC15-042-230 + TXV	39,500	13.00	11.00	CX34-38		3008531
XC15-042-230 + TXV	39,500	13.00	11.00	CX34-38B		3293439
XC15-042-230 + TXV	38,500	14.00	11.50	CX34-42	G60UHV-36B-090	3008532
XC15-042-230 + TXV	37,800	13.00	11.00	CX34-42	G61MPV-36B-045	3008533
XC15-042-230 + TXV	38,000	13.00	11.00	CX34-42	G61MPV-36B-070	3008534
XC15-042-230 + TXV	37,800	13.00	11.00	CX34-42	G61MPV-36B-071	3008535
XC15-042-230 + TXV	38,000	13.00	11.00	CX34-42	G71MPP-36B-070	3008536
XC15-042-230 + TXV	38,000	13.00	10.90	CX34-42		3008537
XC15-042-230 + TXV	40,000	14.50	12.00	CX34-43	G60UHV-36B-090	3008538
XC15-042-230 + TXV	40,500	15.00	12.20	CX34-43	G60UHV-60C-090	3008539
XC15-042-230 + TXV	40,500	14.70	12.20	CX34-43	G60UHV-60C-110	3008540
XC15-042-230 + TXV	39,500	13.00	11.00	CX34-43	G61MPV-36B-045	3008541
XC15-042-230 + TXV	40,000	13.00	11.00	CX34-43	G61MPV-36B-070	3008542
XC15-042-230 + TXV	39,500	13.00	11.00	CX34-43	G61MPV-36B-071	3008543
XC15-042-230 + TXV	40,000	14.50	11.70	CX34-43	G61MPV-36C-090	3008544
XC15-042-230 + TXV	40,500	14.50	12.00	CX34-43	G61MPV-60C-090	3008545
XC15-042-230 + TXV	40,500	14.50	12.00	CX34-43	G61MPV-60C-091	3008546
XC15-042-230 + TXV	40,500	14.70	12.20	CX34-43	G61MPV-60C-110	3008547
XC15-042-230 + TXV	40,500	14.70	12.00	CX34-43	G61MPV-60C-111	3008548
XC15-042-230 + TXV	40,000	13.00	11.00	CX34-43	G71MPP-36B-070	3008549
XC15-042-230 + TXV	40,000	14.50	11.70	CX34-43	G71MPP-36C-090	3008550

**NOTES:**

+ TXV = Matched with Thermostatic Expansion Valve.

Ratings are certified in accordance with USE certification program which is based on AHRI Standard 210/240; 95°F outdoor air temperature, 80°F db / 67°F wb entering evaporator air with 25 ft. of connecting refrigerant lines.

All ratings include the use of a blower time delay relay (TDR). All Lennox variable-speed furnaces and Air Handlers have time delay capabilities. Other Furnaces and Air Handlers may require an optional time delay relay (58M81) for field installation. See furnace or air handler specifications to determine if relay is needed.

Also see TXV Substitution Table.

## AHRI SYSTEM MATCHES

NOTE - For the latest up-to-date system matches please visit the AHRI web site at <http://www.ahridirectory.org>

Model No.	Cooling Btuh	SEER	EER	Indoor Coil or Air Handler	Furnace	AHRI Reference
XC15-042-230 + TXV	40,500	14.50	12.00	CX34-43	G71MPP-60C-090	3008551
XC15-042-230 + TXV	40,500	14.70	12.20	CX34-43	G71MPP-60C-110	3008552
XC15-042-230 + TXV	39,500	13.00	11.00	CX34-43		3008553
XC15-042-230 + TXV	39,500	14.20	11.70	CX34-44/48	G60UHV-36B-090	3008554
XC15-042-230 + TXV	39,500	14.70	12.00	CX34-44/48	G60UHV-60C-090	3008555
XC15-042-230 + TXV	39,500	14.50	11.70	CX34-44/48	G60UHV-60C-110	3008556
XC15-042-230 + TXV	39,000	13.00	11.00	CX34-44/48	G61MPV-36B-045	3008557
XC15-042-230 + TXV	39,500	13.00	11.00	CX34-44/48	G61MPV-36B-070	3008558
XC15-042-230 + TXV	39,000	13.00	11.00	CX34-44/48	G61MPV-36B-071	3008559
XC15-042-230 + TXV	39,500	14.00	11.50	CX34-44/48	G61MPV-36C-090	3008560
XC15-042-230 + TXV	39,500	14.20	11.50	CX34-44/48	G61MPV-60C-090	3008561
XC15-042-230 + TXV	39,500	14.00	11.50	CX34-44/48	G61MPV-60C-091	3008562
XC15-042-230 + TXV	39,500	14.50	11.70	CX34-44/48	G61MPV-60C-110	3008563
XC15-042-230 + TXV	39,500	14.20	11.70	CX34-44/48	G61MPV-60C-111	3008564
XC15-042-230 + TXV	39,500	13.00	11.00	CX34-44/48	G71MPP-36B-070	3008565
XC15-042-230 + TXV	39,500	14.00	11.50	CX34-44/48	G71MPP-36C-090	3008566
XC15-042-230 + TXV	39,500	14.20	11.50	CX34-44/48	G71MPP-60C-090	3008567
XC15-042-230 + TXV	39,500	14.50	11.70	CX34-44/48	G71MPP-60C-110	3008568
XC15-042-230 + TXV	39,000	13.00	11.00	CX34-44/48		3008569
XC15-042-230 + TXV	40,500	15.20	12.20	CX34-49	G60UHV-60C-090	3008570
XC15-042-230 + TXV	41,000	14.70	12.00	CX34-49	G60UHV-60C-110	3008636
XC15-042-230 + TXV	40,500	14.50	12.00	CX34-49	G61MPV-36C-090	3008571
XC15-042-230 + TXV	41,000	14.70	12.20	CX34-49	G61MPV-60C-090	3008572
XC15-042-230 + TXV	41,000	14.50	12.00	CX34-49	G61MPV-60C-091	3008573
XC15-042-230 + TXV	41,000	15.00	12.20	CX34-49	G61MPV-60C-110	3008574
XC15-042-230 + TXV	41,000	14.70	12.20	CX34-49	G61MPV-60C-111	3008575
XC15-042-230 + TXV	40,500	14.50	12.00	CX34-49	G71MPP-36C-090	3008576
XC15-042-230 + TXV	41,000	14.70	12.20	CX34-49	G71MPP-60C-090	3008577
XC15-042-230 + TXV	41,000	15.00	12.20	CX34-49	G71MPP-60C-110	3008578
XC15-042-230 + TXV	40,000	13.50	11.50	CX34-49		3008579
XC15-042-230 + TXV	40,000	14.70	12.00	CX34-50/60C	G60UHV-60C-090	3008580
XC15-042-230 + TXV	40,000	14.50	12.00	CX34-50/60C	G60UHV-60C-110	3008581
XC15-042-230 + TXV	40,000	14.20	11.70	CX34-50/60C	G61MPV-36C-090	3008582
XC15-042-230 + TXV	40,000	14.20	11.70	CX34-50/60C	G61MPV-60C-090	3008583
XC15-042-230 + TXV	40,000	14.20	11.70	CX34-50/60C	G61MPV-60C-091	3008584
XC15-042-230 + TXV	40,000	14.50	12.00	CX34-50/60C	G61MPV-60C-110	3008585
XC15-042-230 + TXV	40,000	14.50	11.70	CX34-50/60C	G61MPV-60C-111	3008586
XC15-042-230 + TXV	40,000	14.20	11.70	CX34-50/60C	G71MPP-36C-090	3008587
XC15-042-230 + TXV	40,000	14.20	11.70	CX34-50/60C	G71MPP-60C-090	3008588
XC15-042-230 + TXV	40,000	14.50	12.00	CX34-50/60C	G71MPP-60C-110	3008589
XC15-042-230 + TXV	39,500	13.00	11.00	CX34-50/60C		3008590

**NOTES:**

+ TXV = Matched with Thermostatic Expansion Valve.

Ratings are certified in accordance with USE certification program which is based on AHRI Standard 210/240; 95°F outdoor air temperature, 80°F db / 67°F wb entering evaporator air with 25 ft. of connecting refrigerant lines.

All ratings include the use of a blower time delay relay (TDR). All Lennox variable-speed furnaces and Air Handlers have time delay capabilities. Other Furnaces and Air Handlers may require an optional time delay relay (58M81) for field installation. See furnace or air handler specifications to determine if relay is needed.

Also see TXV Substitution Table.

## AHRI SYSTEM MATCHES

NOTE - For the latest up-to-date system matches please visit the AHRI web site at <http://www.ahridirectory.org>

Model No.	Cooling Btuh	SEER	EER	Indoor Coil or Air Handler	Furnace	AHRI Reference
XC15-042-230 + TXV	41,000	15.20	12.50	CX34-62C	G60UHV-60C-090	3008591
XC15-042-230 + TXV	41,500	15.20	12.50	CX34-62C	G60UHV-60C-110	3008592
XC15-042-230 + TXV	41,000	14.70	12.00	CX34-62C	G61MPV-36C-090	3008593
XC15-042-230 + TXV	41,500	15.00	12.20	CX34-62C	G61MPV-60C-090	3008594
XC15-042-230 + TXV	41,000	14.70	12.00	CX34-62C	G61MPV-60C-091	3008595
XC15-042-230 + TXV	41,000	15.00	12.20	CX34-62C	G61MPV-60C-110	3008596
XC15-042-230 + TXV	41,000	15.00	12.20	CX34-62C	G61MPV-60C-111	3008597
XC15-042-230 + TXV	41,000	14.70	12.00	CX34-62C	G71MPP-36C-090	3008598
XC15-042-230 + TXV	41,500	15.00	12.20	CX34-62C	G71MPP-60C-090	3008599
XC15-042-230 + TXV	41,000	15.00	12.20	CX34-62C	G71MPP-60C-110	3008600
XC15-048-230 + TXV	47,500	14.50	12.00	C33-43	G61MPV-60C-090	1482995
XC15-048-230 + TXV	47,500	14.20	11.70	C33-43		1482994
XC15-048-230 + TXV	47,000	14.50	12.00	C33-44C	G60UHV-60C-090	1329846
XC15-048-230 + TXV	47,000	14.50	12.00	C33-48	G60UHV-60C-110	1329304
XC15-048-230 + TXV	47,000	14.20	11.70	C33-48	G61MPV-60C-090	1329368
XC15-048-230 + TXV	47,000	14.00	11.70	C33-48	G61MPV-60C-091	1046606
XC15-048-230 + TXV	47,000	14.20	11.70	C33-48	G61MPV-60C-110	1329392
XC15-048-230 + TXV	47,000	14.20	11.70	C33-48	G61MPV-60C-111	1046607
XC15-048-230 + TXV	47,000	14.20	11.70	C33-48	G71MPP-60C-110	1488820
XC15-048-230 + TXV	46,500	14.00	11.50	C33-48		1329196
XC15-048-230 + TXV	49,000	15.00	12.50	C33-49	G60UHV-60C-090	1329285
XC15-048-230 + TXV	48,500	15.00	12.20	C33-49	G60UHV-60C-110	1329306
XC15-048-230 + TXV	48,500	14.70	12.20	C33-49	G61MPV-60C-090	1329370
XC15-048-230 + TXV	48,500	14.70	12.00	C33-49	G61MPV-60C-091	1046608
XC15-048-230 + TXV	48,500	14.70	12.20	C33-49	G61MPV-60C-110	1329395
XC15-048-230 + TXV	48,500	14.70	12.20	C33-49	G61MPV-60C-111	1046609
XC15-048-230 + TXV	48,500	14.70	12.20	C33-49	G71MPP-60C-110	1488823
XC15-048-230 + TXV	48,500	14.50	12.00	C33-49		1329197
XC15-048-230 + TXV	47,000	14.50	12.00	C33-50/60C	CBWMV-60C-100	1086347
XC15-048-230 + TXV	47,500	14.70	12.00	C33-50/60C	G60UHV-60C-090	1329287
XC15-048-230 + TXV	47,500	15.00	12.20	C33-50/60C	G60UHV-60C-110	1329307
XC15-048-230 + TXV	47,500	14.50	12.00	C33-50/60C	G61MPV-60C-090	1329372
XC15-048-230 + TXV	47,500	14.20	11.70	C33-50/60C	G61MPV-60C-091	1046610
XC15-048-230 + TXV	47,500	14.20	11.70	C33-50/60C	G61MPV-60C-110	1329397
XC15-048-230 + TXV	47,500	14.20	11.70	C33-50/60C	G61MPV-60C-111	1046611
XC15-048-230 + TXV	47,500	14.50	12.00	C33-50/60C	G71MPP-60C-090	3095132
XC15-048-230 + TXV	47,500	14.20	11.70	C33-50/60C	G71MPP-60C-110	1488825
XC15-048-230 + TXV	47,000	14.20	11.70	C33-50/60C		1329198
XC15-048-230 + TXV	48,500	15.20	12.50	C33-60D	G60UHV-60D-135	1329324
XC15-048-230 + TXV	48,500	15.00	12.50	C33-60D	G61MPV-60C-090	1286184
XC15-048-230 + TXV	48,500	15.00	12.50	C33-60D	G61MPV-60D-135	1329418

**NOTES:**

+ TXV = Matched with Thermostatic Expansion Valve.

Ratings are certified in accordance with USE certification program which is based on AHRI Standard 210/240; 95°F outdoor air temperature, 80°F db / 67°F wb entering evaporator air with 25 ft. of connecting refrigerant lines.

All ratings include the use of a blower time delay relay (TDR). All Lennox variable-speed furnaces and Air Handlers have time delay capabilities. Other Furnaces and Air Handlers may require an optional time delay relay (58M81) for field installation. See furnace or air handler specifications to determine if relay is needed.

Also see TXV Substitution Table.



## AHRI SYSTEM MATCHES

NOTE - For the latest up-to-date system matches please visit the AHRI web site at <http://www.ahridirectory.org>

Model No.	Cooling Btuh	SEER	EER	Indoor Coil or Air Handler	Furnace	AHRI Reference
XC15-048-230 + TXV	48,500	15.00	12.50	C33-60D	G71MPP-60D-135	1489471
XC15-048-230 + TXV	48,000	14.50	11.70	C33-60D		1329200
XC15-048-230 + TXV	48,500	14.50	12.00	C33-62C		1430728
XC15-048-230 + TXV	49,000	15.20	12.70	C33-62D	G60UHV-60D-135	1329325
XC15-048-230 + TXV	49,000	15.20	12.50	C33-62D	G61MPV-60C-090	1286186
XC15-048-230 + TXV	49,000	15.20	12.50	C33-62D	G61MPV-60D-135	1329419
XC15-048-230 + TXV	49,000	15.20	12.50	C33-62D	G71MPP-60D-135	1489472
XC15-048-230 + TXV	48,500	14.50	12.00	C33-62D		1329201
XC15-048-230 + TXV	48,000	15.20	12.50	CB27UH-048-230		1349006
XC15-048-230 + TXV	47,500	15.20	12.20	CB27UH-060-230		1349007
XC15-048-230 + TXV	45,500	14.00	11.50	CB30M-46P		1329204
XC15-048-230 + TXV	48,000	15.00	12.20	CB30M-51P		1329206
XC15-048-230 + TXV	48,000	14.70	12.20	CB30M-65P		1329207
XC15-048-230 + TXV	47,000	14.20	11.70	CB30U-51P		1329209
XC15-048-230 + TXV	48,000	14.70	12.00	CB30U-65P		1329211
XC15-048-230 + TXV	45,500	13.70	11.50	CB31MV-41P		1329212
XC15-048-230 + TXV	48,500	15.20	12.50	CB31MV-51P		1329214
XC15-048-230 + TXV	48,500	15.20	12.50	CB31MV-65P		1329216
XC15-048-230 + TXV	48,000	15.20	12.50	CBX27UH-048-230		1145129
XC15-048-230 + TXV	47,500	15.20	12.20	CBX27UH-060-230		1145130
XC15-048-230 + TXV	45,500	14.00	11.50	CBX32M-042		1329219
XC15-048-230 + TXV	48,000	15.00	12.20	CBX32M-048		1329220
XC15-048-230 + TXV	48,000	14.70	12.20	CBX32M-060		1329222
XC15-048-230 + TXV	45,500	13.70	11.50	CBX32MV-036		1329224
XC15-048-230 + TXV	48,500	15.20	12.50	CBX32MV-048		1329225
XC15-048-230 + TXV	48,500	15.20	12.50	CBX32MV-060		1329227
XC15-048-230 + TXV	45,500	13.70	11.50	CBX40UHV-036		3291686
XC15-048-230 + TXV	48,500	15.20	12.50	CBX40UHV-048		3291795
XC15-048-230 + TXV	48,500	15.20	12.50	CBX40UHV-060		3291845
XC15-048-230 + TXV	46,500	14.50	11.70	CH23-51	G60UHV-60C-090	1329289
XC15-048-230 + TXV	46,500	14.20	11.70	CH23-51	G60UHV-60C-110	1329310
XC15-048-230 + TXV	46,500	14.50	12.00	CH23-51	G60UHV-60D-135	1329326
XC15-048-230 + TXV	46,500	14.00	11.70	CH23-51	G61MPV-60C-090	1329373
XC15-048-230 + TXV	46,500	14.00	11.50	CH23-51	G61MPV-60C-091	1046612
XC15-048-230 + TXV	46,500	14.00	11.70	CH23-51	G61MPV-60C-110	1329399
XC15-048-230 + TXV	46,500	14.00	11.70	CH23-51	G61MPV-60C-111	1046613
XC15-048-230 + TXV	46,500	14.50	11.70	CH23-51	G61MPV-60D-135	1329420
XC15-048-230 + TXV	46,500	14.00	11.70	CH23-51	G71MPP-60C-110	1488827
XC15-048-230 + TXV	46,500	14.50	11.70	CH23-51	G71MPP-60D-135	1489473
XC15-048-230 + TXV	46,000	13.70	11.20	CH23-51		1329229
XC15-048-230 + TXV	47,500	14.50	12.00	CH23-65	G60UHV-60C-090	1329291

**NOTES:**

+ TXV = Matched with Thermostatic Expansion Valve.

Ratings are certified in accordance with USE certification program which is based on AHRI Standard 210/240; 95°F outdoor air temperature, 80°F db / 67°F wb entering evaporator air with 25 ft. of connecting refrigerant lines.

All ratings include the use of a blower time delay relay (TDR). All Lennox variable-speed furnaces and Air Handlers have time delay capabilities. Other Furnaces and Air Handlers may require an optional time delay relay (58M81) for field installation. See furnace or air handler specifications to determine if relay is needed.

Also see TXV Substitution Table.

## AHRI SYSTEM MATCHES

NOTE - For the latest up-to-date system matches please visit the AHRI web site at <http://www.ahridirectory.org>

Model No.	Cooling Btuh	SEER	EER	Indoor Coil or Air Handler	Furnace	AHRI Reference
XC15-048-230 + TXV	47,000	14.50	12.00	CH23-65	G60UHV-60C-110	1329311
XC15-048-230 + TXV	47,000	14.70	12.20	CH23-65	G60UHV-60D-135	1329327
XC15-048-230 + TXV	47,000	14.20	11.70	CH23-65	G61MPV-60C-090	1329376
XC15-048-230 + TXV	47,000	14.20	11.70	CH23-65	G61MPV-60C-091	1046614
XC15-048-230 + TXV	47,000	14.20	11.70	CH23-65	G61MPV-60C-110	1329400
XC15-048-230 + TXV	47,000	14.20	11.70	CH23-65	G61MPV-60C-111	1046615
XC15-048-230 + TXV	47,000	14.70	12.00	CH23-65	G61MPV-60D-135	1329421
XC15-048-230 + TXV	47,000	14.20	11.70	CH23-65	G71MPP-60C-110	1488828
XC15-048-230 + TXV	47,000	14.70	12.00	CH23-65	G71MPP-60D-135	1489474
XC15-048-230 + TXV	47,000	14.00	11.50	CH23-65		1329230
XC15-048-230 + TXV	49,000	15.20	12.50	CH23-68	G60UHV-60C-090	1329293
XC15-048-230 + TXV	49,000	15.20	12.50	CH23-68	G60UHV-60C-110	1329313
XC15-048-230 + TXV	49,000	15.50	12.70	CH23-68	G60UHV-60D-135	1329328
XC15-048-230 + TXV	49,000	15.00	12.20	CH23-68	G61MPV-60C-090	1329378
XC15-048-230 + TXV	48,500	14.70	12.00	CH23-68	G61MPV-60C-091	1046616
XC15-048-230 + TXV	49,000	15.00	12.20	CH23-68	G61MPV-60C-110	1329402
XC15-048-230 + TXV	49,000	15.00	12.20	CH23-68	G61MPV-60C-111	1046617
XC15-048-230 + TXV	49,000	15.20	12.50	CH23-68	G61MPV-60D-135	1329422
XC15-048-230 + TXV	49,000	15.00	12.20	CH23-68	G71MPP-60C-110	1488830
XC15-048-230 + TXV	49,000	15.20	12.50	CH23-68	G71MPP-60D-135	1489475
XC15-048-230 + TXV	48,500	14.50	12.00	CH23-68		1329232
XC15-048-230 + TXV	48,000	14.70	12.20	CH33-48	G60UHV-60C-090	1329295
XC15-048-230 + TXV	47,500	14.70	12.00	CH33-48	G60UHV-60C-110	1329315
XC15-048-230 + TXV	47,500	14.50	12.00	CH33-48	G61MPV-60C-090	1329379
XC15-048-230 + TXV	47,500	14.20	11.70	CH33-48	G61MPV-60C-091	1046618
XC15-048-230 + TXV	47,500	14.50	11.70	CH33-48	G61MPV-60C-110	1329405
XC15-048-230 + TXV	47,500	14.50	11.70	CH33-48	G61MPV-60C-111	1046619
XC15-048-230 + TXV	47,500	14.50	12.00	CH33-48	G71MPP-60C-090	3095124
XC15-048-230 + TXV	47,500	14.50	11.70	CH33-48	G71MPP-60C-110	1488833
XC15-048-230 + TXV	47,500	14.20	11.70	CH33-48		1329237
XC15-048-230 + TXV	49,000	15.00	12.50	CH33-49	G60UHV-60C-090	1146135
XC15-048-230 + TXV	48,500	15.00	12.20	CH33-49	G60UHV-60C-110	1146136
XC15-048-230 + TXV	48,500	14.70	12.20	CH33-49	G61MPV-60C-090	1146137
XC15-048-230 + TXV	48,500	14.50	12.00	CH33-49	G61MPV-60C-091	1146138
XC15-048-230 + TXV	48,500	14.70	12.20	CH33-49	G61MPV-60C-110	1146139
XC15-048-230 + TXV	48,500	14.50	12.00	CH33-49	G61MPV-60C-111	1146140
XC15-048-230 + TXV	48,500	14.70	12.20	CH33-49	G71MPP-60C-090	3095125
XC15-048-230 + TXV	48,500	14.70	12.20	CH33-49	G71MPP-60C-110	1488600
XC15-048-230 + TXV	48,500	14.50	12.00	CH33-49		1146134
XC15-048-230 + TXV	48,500	15.00	12.20	CH33-50/60C	G60UHV-60C-090	1329297
XC15-048-230 + TXV	48,500	15.00	12.20	CH33-50/60C	G60UHV-60C-110	1329317

**NOTES:**

+ TXV = Matched with Thermostatic Expansion Valve.

Ratings are certified in accordance with USE certification program which is based on AHRI Standard 210/240; 95°F outdoor air temperature, 80°F db / 67°F wb entering evaporator air with 25 ft. of connecting refrigerant lines.

All ratings include the use of a blower time delay relay (TDR). All Lennox variable-speed furnaces and Air Handlers have time delay capabilities. Other Furnaces and Air Handlers may require an optional time delay relay (58M81) for field installation. See furnace or air handler specifications to determine if relay is needed.

Also see TXV Substitution Table.

## AHRI SYSTEM MATCHES

NOTE - For the latest up-to-date system matches please visit the AHRI web site at <http://www.ahridirectory.org>

Model No.	Cooling Btuh	SEER	EER	Indoor Coil or Air Handler	Furnace	AHRI Reference
XC15-048-230 + TXV	48,500	14.70	12.20	CH33-50/60C	G61MPV-60C-090	1329380
XC15-048-230 + TXV	48,500	14.50	12.00	CH33-50/60C	G61MPV-60C-091	1046647
XC15-048-230 + TXV	48,500	14.70	12.00	CH33-50/60C	G61MPV-60C-110	1329406
XC15-048-230 + TXV	48,500	14.70	12.00	CH33-50/60C	G61MPV-60C-111	1046620
XC15-048-230 + TXV	48,500	14.70	12.20	CH33-50/60C	G71MPP-60C-090	3095126
XC15-048-230 + TXV	48,500	14.70	12.00	CH33-50/60C	G71MPP-60C-110	1488834
XC15-048-230 + TXV	48,000	14.50	11.70	CH33-50/60C		1329239
XC15-048-230 + TXV	48,000	15.20	12.50	CH33-60D	G60UHV-60D-135	1329329
XC15-048-230 + TXV	48,000	15.00	12.20	CH33-60D	G61MPV-60D-135	1329423
XC15-048-230 + TXV	48,000	15.00	12.20	CH33-60D	G71MPP-60D-135	1489476
XC15-048-230 + TXV	47,500	14.20	11.70	CH33-60D		1329241
XC15-048-230 + TXV	48,500	15.00	12.20	CH33-62D	G60UHV-60C-090	1146141
XC15-048-230 + TXV	48,500	15.00	12.50	CH33-62D	G60UHV-60C-110	1146142
XC15-048-230 + TXV	48,500	15.20	12.50	CH33-62D	G60UHV-60D-135	1329330
XC15-048-230 + TXV	48,500	14.70	12.20	CH33-62D	G61MPV-60C-090	1146143
XC15-048-230 + TXV	48,500	14.70	12.00	CH33-62D	G61MPV-60C-091	1146144
XC15-048-230 + TXV	48,500	14.70	12.20	CH33-62D	G61MPV-60C-110	1146145
XC15-048-230 + TXV	48,500	14.70	12.20	CH33-62D	G61MPV-60C-111	1146146
XC15-048-230 + TXV	48,500	15.00	12.50	CH33-62D	G61MPV-60D-135	1329424
XC15-048-230 + TXV	48,500	14.70	12.20	CH33-62D	G71MPP-60C-110	1488599
XC15-048-230 + TXV	48,500	15.00	12.50	CH33-62D	G71MPP-60D-135	1489477
XC15-048-230 + TXV	48,000	14.50	11.70	CH33-62D		1329242
XC15-048-230 + TXV	45,500	14.00	11.50	CR33-48	G60DFV-60C-090	1329261
XC15-048-230 + TXV	46,000	14.00	11.50	CR33-48	G60DFV-60C-110	1329264
XC15-048-230 + TXV	45,500	13.70	11.20	CR33-48	G61MPV-60C-090	1329382
XC15-048-230 + TXV	45,500	13.50	11.20	CR33-48	G61MPV-60C-091	1046621
XC15-048-230 + TXV	45,500	13.70	11.20	CR33-48	G61MPV-60C-110	1329409
XC15-048-230 + TXV	45,500	13.70	11.20	CR33-48	G61MPV-60C-111	1046622
XC15-048-230 + TXV	45,500	13.70	11.20	CR33-48	G71MPP-60C-110	1488837
XC15-048-230 + TXV	45,500	13.50	11.20	CR33-48		1329245
XC15-048-230 + TXV	47,500	15.00	12.20	CR33-50/60	G60DFV-60C-090	1329262
XC15-048-230 + TXV	47,500	14.70	12.00	CR33-50/60	G60DFV-60C-110	1329266
XC15-048-230 + TXV	47,500	14.50	12.00	CR33-50/60	G61MPV-60C-090	1329385
XC15-048-230 + TXV	47,500	14.20	11.70	CR33-50/60	G61MPV-60C-091	1046623
XC15-048-230 + TXV	47,500	14.50	12.00	CR33-50/60	G61MPV-60C-110	1329410
XC15-048-230 + TXV	47,500	14.50	12.00	CR33-50/60	G61MPV-60C-111	1046624
XC15-048-230 + TXV	47,500	14.50	12.00	CR33-50/60	G71MPP-60C-110	1488838
XC15-048-230 + TXV	47,000	14.20	11.70	CR33-50/60		1329246
XC15-048-230 + TXV	47,500	15.00	12.20	CR33-60	G60DFV-60D-135	1329269
XC15-048-230 + TXV	47,500	14.70	12.20	CR33-60	G61MPV-60D-135	1329426
XC15-048-230 + TXV	47,500	14.70	12.20	CR33-60	G71MPP-60D-135	1489479

**NOTES:**

+ TXV = Matched with Thermostatic Expansion Valve.

Ratings are certified in accordance with USE certification program which is based on AHRI Standard 210/240; 95°F outdoor air temperature, 80°F db / 67°F wb entering evaporator air with 25 ft. of connecting refrigerant lines.

All ratings include the use of a blower time delay relay (TDR). All Lennox variable-speed furnaces and Air Handlers have time delay capabilities. Other Furnaces and Air Handlers may require an optional time delay relay (58M81) for field installation. See furnace or air handler specifications to determine if relay is needed.

Also see TXV Substitution Table.

## AHRI SYSTEM MATCHES

NOTE - For the latest up-to-date system matches please visit the AHRI web site at <http://www.ahridirectory.org>

Model No.	Cooling Btuh	SEER	EER	Indoor Coil or Air Handler	Furnace	AHRI Reference
XC15-048-230 + TXV	47,000	14.20	11.50	CR33-60		1329248
XC15-048-230 + TXV	47,500	14.50	12.00	CX34-43	G61MPV-60C-090	1482997
XC15-048-230 + TXV	47,500	14.20	11.70	CX34-43		1482996
XC15-048-230 + TXV	47,000	14.50	12.00	CX34-44/48	G60UHV-60C-090	1329299
XC15-048-230 + TXV	47,000	14.50	12.00	CX34-44/48	G60UHV-60C-110	1329319
XC15-048-230 + TXV	47,000	14.20	11.70	CX34-44/48	G61MPV-60C-090	1329387
XC15-048-230 + TXV	47,000	14.00	11.70	CX34-44/48	G61MPV-60C-091	1046648
XC15-048-230 + TXV	47,000	14.20	11.70	CX34-44/48	G61MPV-60C-110	1329413
XC15-048-230 + TXV	47,000	14.20	11.70	CX34-44/48	G61MPV-60C-111	1046649
XC15-048-230 + TXV	47,000	14.20	11.70	CX34-44/48	G71MPP-60C-110	1488841
XC15-048-230 + TXV	46,000	14.00	11.50	CX34-44/48	O23V5-140/154	1329186
XC15-048-230 + TXV	46,500	14.00	11.50	CX34-44/48		1329252
XC15-048-230 + TXV	49,000	15.00	12.50	CX34-49	G60UHV-60C-090	1329301
XC15-048-230 + TXV	48,500	15.00	12.20	CX34-49	G60UHV-60C-110	1329321
XC15-048-230 + TXV	48,500	14.70	12.20	CX34-49	G61MPV-60C-090	1329388
XC15-048-230 + TXV	48,500	14.70	12.00	CX34-49	G61MPV-60C-091	1046625
XC15-048-230 + TXV	48,500	14.70	12.20	CX34-49	G61MPV-60C-110	1329415
XC15-048-230 + TXV	48,500	14.70	12.20	CX34-49	G61MPV-60C-111	1046626
XC15-048-230 + TXV	48,500	14.70	12.20	CX34-49	G71MPP-60C-090	3076240
XC15-048-230 + TXV	48,500	14.70	12.20	CX34-49	G71MPP-60C-110	1488843
XC15-048-230 + TXV	48,500	14.50	12.00	CX34-49		1329254
XC15-048-230 + TXV	47,000	14.50	12.00	CX34-50/60C	CBWMV-60C-100	1086348
XC15-048-230 + TXV	47,500	14.70	12.00	CX34-50/60C	G60UHV-60C-090	1329302
XC15-048-230 + TXV	47,500	15.00	12.20	CX34-50/60C	G60UHV-60C-110	1329322
XC15-048-230 + TXV	47,500	14.50	12.00	CX34-50/60C	G61MPV-60C-090	1329390
XC15-048-230 + TXV	47,500	14.20	11.70	CX34-50/60C	G61MPV-60C-091	1046627
XC15-048-230 + TXV	47,500	14.20	11.70	CX34-50/60C	G61MPV-60C-110	1329416
XC15-048-230 + TXV	47,500	14.20	11.70	CX34-50/60C	G61MPV-60C-111	1046628
XC15-048-230 + TXV	47,500	14.50	12.00	CX34-50/60C	G71MPP-60C-090	3095123
XC15-048-230 + TXV	47,500	14.20	11.70	CX34-50/60C	G71MPP-60C-110	1488844
XC15-048-230 + TXV	47,000	14.20	11.70	CX34-50/60C		1329256
XC15-048-230 + TXV	48,500	15.20	12.50	CX34-60D	G60UHV-60D-135	1329331
XC15-048-230 + TXV	48,500	15.00	12.50	CX34-60D	G61MPV-60C-090	1286183
XC15-048-230 + TXV	48,500	15.00	12.50	CX34-60D	G61MPV-60D-135	1329427
XC15-048-230 + TXV	48,500	15.00	12.50	CX34-60D	G71MPP-60D-135	1489480
XC15-048-230 + TXV	48,000	14.50	12.00	CX34-60D	O23V5-140/154	1329187
XC15-048-230 + TXV	48,000	14.50	11.70	CX34-60D		1329257
XC15-048-230 + TXV	48,500	14.50	12.00	CX34-62C		1430729
XC15-048-230 + TXV	49,000	15.20	12.70	CX34-62D	G60UHV-60D-135	1329332
XC15-048-230 + TXV	49,000	15.20	12.50	CX34-62D	G61MPV-60C-090	1286185
XC15-048-230 + TXV	49,000	15.20	12.50	CX34-62D	G61MPV-60D-135	1329428

**NOTES:**

+ TXV = Matched with Thermostatic Expansion Valve.

Ratings are certified in accordance with USE certification program which is based on AHRI Standard 210/240; 95°F outdoor air temperature, 80°F db / 67°F wb entering evaporator air with 25 ft. of connecting refrigerant lines.

All ratings include the use of a blower time delay relay (TDR). All Lennox variable-speed furnaces and Air Handlers have time delay capabilities. Other Furnaces and Air Handlers may require an optional time delay relay (58M81) for field installation. See furnace or air handler specifications to determine if relay is needed.

Also see TXV Substitution Table.

## AHRI SYSTEM MATCHES

NOTE - For the latest up-to-date system matches please visit the AHRI web site at <http://www.ahridirectory.org>

Model No.	Cooling Btuh	SEER	EER	Indoor Coil or Air Handler	Furnace	AHRI Reference
XC15-048-230 + TXV	49,000	15.20	12.50	CX34-62D	G71MPP-60D-135	1489481
XC15-048-230 + TXV	48,500	14.50	12.00	CX34-62D		1329258
XC15-060-230 + TXV	53,000	13.00	10.80	C33-48	G60UHV-60C-090	1329666
XC15-060-230 + TXV	53,000	13.00	10.70	C33-48	G60UHV-60C-110	1329677
XC15-060-230 + TXV	55,500	13.50	11.20	C33-49	G60UHV-60C-090	1329667
XC15-060-230 + TXV	55,500	13.50	11.20	C33-49	G60UHV-60C-110	1329678
XC15-060-230 + TXV	55,500	13.50	11.20	C33-49	G61MPV-60C-090	1329814
XC15-060-230 + TXV	55,500	13.20	11.00	C33-49	G61MPV-60C-091	1046629
XC15-060-230 + TXV	55,500	13.50	11.20	C33-49	G61MPV-60C-110	1329823
XC15-060-230 + TXV	55,500	13.50	11.20	C33-49	G61MPV-60C-111	1046630
XC15-060-230 + TXV	55,500	13.50	11.20	C33-49	G71MPP-60C-090	3095901
XC15-060-230 + TXV	55,500	13.50	11.20	C33-49	G71MPP-60C-110	1488846
XC15-060-230 + TXV	54,500	13.50	11.20	C33-49		1329455
XC15-060-230 + TXV	52,500	13.55	11.00	C33-50/60C	CBWMV-60C-100	1086349
XC15-060-230 + TXV	54,000	13.20	11.00	C33-50/60C	G60UHV-60C-090	1329668
XC15-060-230 + TXV	53,500	13.20	10.80	C33-50/60C	G60UHV-60C-110	1329679
XC15-060-230 + TXV	53,500	13.00	10.80	C33-50/60C	G61MPV-60C-090	1329815
XC15-060-230 + TXV	53,500	13.00	10.70	C33-50/60C	G61MPV-60C-091	1046631
XC15-060-230 + TXV	53,500	13.00	10.80	C33-50/60C	G61MPV-60C-110	1329824
XC15-060-230 + TXV	53,500	13.00	10.80	C33-50/60C	G61MPV-60C-111	1046632
XC15-060-230 + TXV	53,500	13.00	10.80	C33-50/60C	G71MPP-60C-090	3095906
XC15-060-230 + TXV	53,500	13.00	10.80	C33-50/60C	G71MPP-60C-110	1488847
XC15-060-230 + TXV	53,000	13.20	10.90	C33-50/60C		1329457
XC15-060-230 + TXV	56,000	13.70	11.20	C33-60D	G60DFV-60D-135	1329572
XC15-060-230 + TXV	55,000	13.50	11.20	C33-60D	G61MPV-60D-135	1329831
XC15-060-230 + TXV	55,000	13.50	11.20	C33-60D	G71MPP-60D-135	1489482
XC15-060-230 + TXV	55,000	13.20	11.00	C33-60D		1329458
XC15-060-230 + TXV	56,000	14.00	11.50	C33-62C	G61MPV-60C-110	3184072
XC15-060-230 + TXV	56,000	14.00	11.50	C33-62C	G61MPV-60C-111	1446733
XC15-060-230 + TXV	55,000	13.50	11.00	C33-62D	O23V5-140/154	1329188
XC15-060-230 + TXV	56,000	14.00	11.50	C33-62D	G60DFV-60D-135	1329573
XC15-060-230 + TXV	56,000	13.70	11.20	C33-62D	G61MPV-60D-135	1329832
XC15-060-230 + TXV	56,000	13.70	11.20	C33-62D	G71MPP-60D-135	1489483
XC15-060-230 + TXV	56,000	13.50	11.20	C33-62D		1329459
XC15-060-230 + TXV	54,500	13.70	11.20	CB27UH-060-230		1349008
XC15-060-230 + TXV	54,000	13.50	11.00	CB30M-51P		1050264
XC15-060-230 + TXV	55,500	13.70	11.20	CB30M-65P		1050265
XC15-060-230 + TXV	53,000	13.50	11.00	CB30U-51P		1050261
XC15-060-230 + TXV	55,500	13.50	11.00	CB30U-65P		1050262
XC15-060-230 + TXV	55,000	13.70	11.20	CB31MV-51P		1050266
XC15-060-230 + TXV	55,500	14.00	11.50	CB31MV-65P		1050268

### NOTES:

+ TXV = Matched with Thermostatic Expansion Valve.

Ratings are certified in accordance with USE certification program which is based on AHRI Standard 210/240; 95°F outdoor air temperature, 80°F db / 67°F wb entering evaporator air with 25 ft. of connecting refrigerant lines.

All ratings include the use of a blower time delay relay (TDR). All Lennox variable-speed furnaces and Air Handlers have time delay capabilities. Other Furnaces and Air Handlers may require an optional time delay relay (58M81) for field installation. See furnace or air handler specifications to determine if relay is needed.

Also see TXV Substitution Table.



## AHRI SYSTEM MATCHES

NOTE - For the latest up-to-date system matches please visit the AHRI web site at <http://www.ahridirectory.org>

Model No.	Cooling Btuh	SEER	EER	Indoor Coil or Air Handler	Furnace	AHRI Reference
XC15-060-230 + TXV	55,500	13.70	11.20	CBX26UH-060		3184070
XC15-060-230 + TXV	54,500	13.70	11.20	CBX27UH-060-230		1145131
XC15-060-230 + TXV	54,000	13.50	11.00	CBX32M-048		1050263
XC15-060-230 + TXV	55,500	13.70	11.20	CBX32M-060		1050763
XC15-060-230 + TXV	55,000	13.70	11.20	CBX32MV-048		1050267
XC15-060-230 + TXV	55,500	14.00	11.50	CBX32MV-060		1050280
XC15-060-230 + TXV	55,000	14.15	11.60	CBX32MV-068-230		961121
XC15-060-230 + TXV	55,000	13.70	11.20	CBX40UHV-048		3291796
XC15-060-230 + TXV	55,500	14.00	11.50	CBX40UHV-060		3291846
XC15-060-230 + TXV	52,500	13.00	10.80	CH23-51	G60UHV-60C-090	1329669
XC15-060-230 + TXV	52,000	13.00	10.70	CH23-51	G60UHV-60C-110	1329680
XC15-060-230 + TXV	53,000	13.00	10.90	CH23-51	G60UHV-60D-135	1329688
XC15-060-230 + TXV	52,500	13.00	10.80	CH23-51	G61MPV-60D-135	1329833
XC15-060-230 + TXV	52,500	13.00	10.80	CH23-51	G71MPP-60D-135	1489484
XC15-060-230 + TXV	53,000	13.20	10.90	CH23-65	G60UHV-60C-090	1329670
XC15-060-230 + TXV	53,000	13.20	10.90	CH23-65	G60UHV-60C-110	1329681
XC15-060-230 + TXV	53,500	13.20	11.00	CH23-65	G60UHV-60D-135	1329689
XC15-060-230 + TXV	53,000	13.00	10.80	CH23-65	G61MPV-60C-090	1329816
XC15-060-230 + TXV	53,000	13.00	10.80	CH23-65	G61MPV-60C-110	1329825
XC15-060-230 + TXV	53,000	13.00	10.80	CH23-65	G61MPV-60C-111	1046633
XC15-060-230 + TXV	53,000	13.20	10.90	CH23-65	G61MPV-60D-135	1329834
XC15-060-230 + TXV	53,000	13.00	10.80	CH23-65	G71MPP-60C-110	1488848
XC15-060-230 + TXV	53,000	13.20	10.90	CH23-65	G71MPP-60D-135	1489485
XC15-060-230 + TXV	53,000	13.00	10.80	CH23-65		1329511
XC15-060-230 + TXV	55,500	13.70	11.20	CH23-68	G60UHV-60C-090	1329671
XC15-060-230 + TXV	55,000	13.70	11.20	CH23-68	G60UHV-60C-110	1329682
XC15-060-230 + TXV	56,000	13.85	11.45	CH23-68	G60UHV-60D-135	1329690
XC15-060-230 + TXV	55,000	13.50	11.00	CH23-68	G61MPV-60C-090	1329817
XC15-060-230 + TXV	55,000	13.20	11.00	CH23-68	G61MPV-60C-091	1046634
XC15-060-230 + TXV	55,000	13.50	11.00	CH23-68	G61MPV-60C-110	1329826
XC15-060-230 + TXV	55,000	13.50	11.00	CH23-68	G61MPV-60C-111	1046635
XC15-060-230 + TXV	55,000	13.70	11.20	CH23-68	G61MPV-60D-135	1329835
XC15-060-230 + TXV	55,000	13.50	11.00	CH23-68	G71MPP-60C-110	1488849
XC15-060-230 + TXV	55,000	13.70	11.20	CH23-68	G71MPP-60D-135	1489486
XC15-060-230 + TXV	55,000	13.50	11.00	CH23-68		1329512
XC15-060-230 + TXV	54,000	13.00	10.90	CH33-48	G60UHV-60C-090	1329672
XC15-060-230 + TXV	54,000	13.00	10.90	CH33-48	G60UHV-60C-110	1329683
XC15-060-230 + TXV	53,500	13.00	10.70	CH33-48	G61MPV-60C-090	1329818
XC15-060-230 + TXV	53,500	13.00	10.70	CH33-48	G61MPV-60C-091	1046636
XC15-060-230 + TXV	54,000	13.00	10.80	CH33-48	G61MPV-60C-110	1329827
XC15-060-230 + TXV	54,000	13.00	10.80	CH33-48	G61MPV-60C-111	1046637

**NOTES:**

+ TXV = Matched with Thermostatic Expansion Valve.

Ratings are certified in accordance with USE certification program which is based on AHRI Standard 210/240; 95°F outdoor air temperature, 80°F db / 67°F wb entering evaporator air with 25 ft. of connecting refrigerant lines.

All ratings include the use of a blower time delay relay (TDR). All Lennox variable-speed furnaces and Air Handlers have time delay capabilities. Other Furnaces and Air Handlers may require an optional time delay relay (58M81) for field installation. See furnace or air handler specifications to determine if relay is needed.

Also see TXV Substitution Table.

## AHRI SYSTEM MATCHES

NOTE - For the latest up-to-date system matches please visit the AHRI web site at <http://www.ahridirectory.org>

Model No.	Cooling Btuh	SEER	EER	Indoor Coil or Air Handler	Furnace	AHRI Reference
XC15-060-230 + TXV	53,500	13.00	10.70	CH33-48	G71MPP-60C-090	3095908
XC15-060-230 + TXV	54,000	13.00	10.80	CH33-48	G71MPP-60C-110	1488850
XC15-060-230 + TXV	53,000	13.20	10.90	CH33-48		1329522
XC15-060-230 + TXV	55,000	13.20	11.00	CH33-50/60C	G60UHV-60C-090	1329673
XC15-060-230 + TXV	54,500	13.20	11.00	CH33-50/60C	G60UHV-60C-110	1329684
XC15-060-230 + TXV	54,500	13.20	10.90	CH33-50/60C	G61MPV-60C-090	1329819
XC15-060-230 + TXV	54,500	13.20	10.90	CH33-50/60C	G61MPV-60C-091	1046638
XC15-060-230 + TXV	54,500	13.20	10.80	CH33-50/60C	G61MPV-60C-110	1329828
XC15-060-230 + TXV	54,500	13.20	10.80	CH33-50/60C	G61MPV-60C-111	1046639
XC15-060-230 + TXV	54,500	13.20	10.90	CH33-50/60C	G71MPP-60C-090	3095909
XC15-060-230 + TXV	54,500	13.20	10.80	CH33-50/60C	G71MPP-60C-110	1488851
XC15-060-230 + TXV	54,000	13.50	11.00	CH33-50/60C		1329524
XC15-060-230 + TXV	55,000	13.50	11.20	CH33-60D	G60UHV-60D-135	1329691
XC15-060-230 + TXV	54,500	13.50	11.00	CH33-60D	G61MPV-60D-135	1329836
XC15-060-230 + TXV	54,500	13.50	11.00	CH33-60D	G71MPP-60D-135	1489487
XC15-060-230 + TXV	54,500	13.20	11.00	CH33-60D		1329526
XC15-060-230 + TXV	55,500	13.70	11.20	CH33-62D	G60UHV-60C-090	1146147
XC15-060-230 + TXV	55,500	13.70	11.20	CH33-62D	G60UHV-60C-110	1146148
XC15-060-230 + TXV	56,000	13.50	11.20	CH33-62D	G60UHV-60D-135	1329692
XC15-060-230 + TXV	55,000	13.50	11.00	CH33-62D	G61MPV-60C-090	1146149
XC15-060-230 + TXV	55,000	13.00	11.00	CH33-62D	G61MPV-60C-091	1146150
XC15-060-230 + TXV	55,500	13.50	11.20	CH33-62D	G61MPV-60C-110	1146151
XC15-060-230 + TXV	55,500	13.50	11.20	CH33-62D	G61MPV-60C-111	1146152
XC15-060-230 + TXV	55,500	13.50	11.20	CH33-62D	G61MPV-60D-135	1329837
XC15-060-230 + TXV	55,500	13.50	11.20	CH33-62D	G71MPP-60C-110	1488598
XC15-060-230 + TXV	55,500	13.50	11.20	CH33-62D	G71MPP-60D-135	1489488
XC15-060-230 + TXV	55,500	13.50	11.00	CH33-62D		1329527
XC15-060-230 + TXV	53,500	13.20	10.90	CR33-50/60	G60DFV-60C-090	1329570
XC15-060-230 + TXV	53,500	13.20	10.90	CR33-50/60	G60DFV-60C-110	1329571
XC15-060-230 + TXV	53,000	13.00	10.70	CR33-50/60	G61MPV-60C-090	1329820
XC15-060-230 + TXV	53,000	13.00	10.70	CR33-50/60	G61MPV-60C-110	1329829
XC15-060-230 + TXV	53,000	13.00	10.70	CR33-50/60	G61MPV-60C-111	1046640
XC15-060-230 + TXV	53,000	13.00	10.70	CR33-50/60	G71MPP-60C-110	1488852
XC15-060-230 + TXV	53,000	13.00	10.80	CR33-50/60		1329535
XC15-060-230 + TXV	53,500	13.20	10.90	CR33-60	G60DFV-60D-135	1329574
XC15-060-230 + TXV	53,000	13.20	10.80	CR33-60	G61MPV-60D-135	1329838
XC15-060-230 + TXV	53,000	13.20	10.80	CR33-60	G71MPP-60D-135	1489489
XC15-060-230 + TXV	53,000	13.00	10.80	CR33-60		1329536
XC15-060-230 + TXV	53,000	13.00	10.80	CX34-44/48	G60UHV-60C-090	1329674
XC15-060-230 + TXV	53,000	13.00	10.70	CX34-44/48	G60UHV-60C-110	1329685
XC15-060-230 + TXV	55,500	13.50	11.20	CX34-49	G60UHV-60C-090	1329675

**NOTES:**

+ TXV = Matched with Thermostatic Expansion Valve.

Ratings are certified in accordance with USE certification program which is based on AHRI Standard 210/240; 95°F outdoor air temperature, 80°F db / 67°F wb entering evaporator air with 25 ft. of connecting refrigerant lines.

All ratings include the use of a blower time delay relay (TDR). All Lennox variable-speed furnaces and Air Handlers have time delay capabilities. Other Furnaces and Air Handlers may require an optional time delay relay (58M81) for field installation. See furnace or air handler specifications to determine if relay is needed.

Also see TXV Substitution Table.

## AHRI SYSTEM MATCHES

NOTE - For the latest up-to-date system matches please visit the AHRI web site at <http://www.ahridirectory.org>

Model No.	Cooling Btuh	SEER	EER	Indoor Coil or Air Handler	Furnace	AHRI Reference
XC15-060-230 + TXV	55,500	13.50	11.20	CX34-49	G60UHV-60C-110	1329686
XC15-060-230 + TXV	55,500	13.50	11.20	CX34-49	G61MPV-60C-090	1329821
XC15-060-230 + TXV	55,500	13.20	11.00	CX34-49	G61MPV-60C-091	1046641
XC15-060-230 + TXV	55,500	13.50	11.20	CX34-49	G61MPV-60C-110	3095904
XC15-060-230 + TXV	55,500	13.50	11.20	CX34-49	G61MPV-60C-111	1046642
XC15-060-230 + TXV	55,500	13.50	11.20	CX34-49	G71MPP-60C-090	3095902
XC15-060-230 + TXV	55,500	13.50	11.20	CX34-49	G71MPP-60C-110	3095905
XC15-060-230 + TXV	54,500	13.50	11.20	CX34-49		1329557
XC15-060-230 + TXV	52,500	13.55	11.00	CX34-50/60C	CBWMV-60C-100	1086350
XC15-060-230 + TXV	54,000	13.20	11.00	CX34-50/60C	G60UHV-60C-090	1329676
XC15-060-230 + TXV	53,500	13.20	10.80	CX34-50/60C	G60UHV-60C-110	1329687
XC15-060-230 + TXV	53,500	13.00	10.80	CX34-50/60C	G61MPV-60C-090	1329822
XC15-060-230 + TXV	53,500	13.00	10.70	CX34-50/60C	G61MPV-60C-091	1046643
XC15-060-230 + TXV	55,500	13.50	11.20	CX34-50/60C	G61MPV-60C-110	1329830
XC15-060-230 + TXV	53,500	13.00	10.80	CX34-50/60C	G61MPV-60C-111	1046644
XC15-060-230 + TXV	53,500	13.00	10.80	CX34-50/60C	G71MPP-60C-090	3095907
XC15-060-230 + TXV	55,500	13.50	11.20	CX34-50/60C	G71MPP-60C-110	1488853
XC15-060-230 + TXV	53,000	13.20	10.90	CX34-50/60C		1329559
XC15-060-230 + TXV	56,000	13.70	11.20	CX34-60D	G60DFV-60D-135	1329575
XC15-060-230 + TXV	55,000	13.50	11.20	CX34-60D	G61MPV-60D-135	1329839
XC15-060-230 + TXV	55,000	13.50	11.20	CX34-60D	G71MPP-60D-135	1489490
XC15-060-230 + TXV	54,500	13.20	11.00	CX34-60D	O23V5-140/154	1329189
XC15-060-230 + TXV	55,000	13.20	11.00	CX34-60D		1329560
XC15-060-230 + TXV	56,000	14.00	11.50	CX34-62C	G61MPV-60C-110	3184073
XC15-060-230 + TXV	56,000	14.00	11.50	CX34-62C	G61MPV-60C-111	1446734
XC15-060-230 + TXV	56,000	14.00	11.50	CX34-62D	G60DFV-60D-135	1329576
XC15-060-230 + TXV	56,000	14.00	11.50	CX34-62D	G60UHV-60D-135	1047649
XC15-060-230 + TXV	56,000	13.70	11.20	CX34-62D	G61MPV-60D-135	1329840
XC15-060-230 + TXV	56,000	13.70	11.20	CX34-62D	G71MPP-60D-135	1489491
XC15-060-230 + TXV	55,000	13.50	11.00	CX34-62D	O23V5-140/154	1329190
XC15-060-230 + TXV	55,500	13.50	11.20	CX34-62D		1329561

**NOTES:**

+ TXV = Matched with Thermostatic Expansion Valve.

Ratings are certified in accordance with USE certification program which is based on AHRI Standard 210/240; 95°F outdoor air temperature, 80°F db / 67°F wb entering evaporator air with 25 ft. of connecting refrigerant lines.

All ratings include the use of a blower time delay relay (TDR). All Lennox variable-speed furnaces and Air Handlers have time delay capabilities. Other Furnaces and Air Handlers may require an optional time delay relay (58M81) for field installation. See furnace or air handler specifications to determine if relay is needed.

Also see TXV Substitution Table.







## REVISIONS

Sections	Description of Change
TXV Table	Updated -036
AHRI System Matches	Updated all.



Visit us at [www.lennox.com](http://www.lennox.com)

For the latest technical information, [www.lennox.com](http://www.lennox.com)

Contact us at 1-800-4-LENNOX

NOTE - Due to Lennox' ongoing commitment to quality, Specifications, Ratings and Dimensions subject to change without notice and without incurring liability. Improper installation, adjustment, alteration, service or maintenance can cause property damage or personal injury. Installation and service must be performed by a qualified installer and servicing agency.

©2009 Lennox Industries, Inc.