



AIR CONDITIONERS

XC16

ELITE® Series

R-410A - Two-Stage Compressor

PRODUCT SPECIFICATIONS

Bulletin No. 210743
November 2017
Supersedes August 2017

**ELITE®
SERIES**

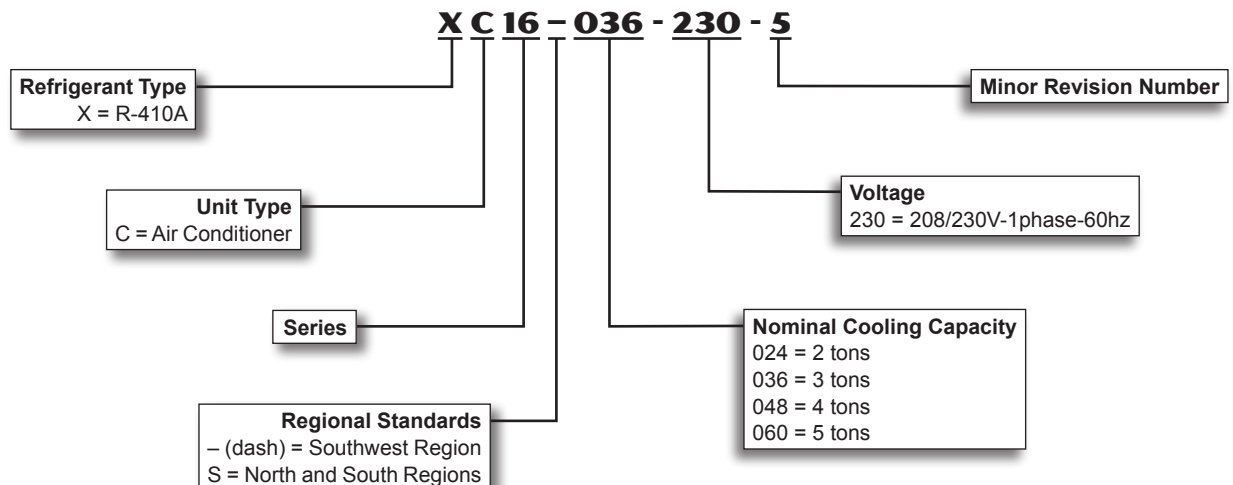


SEER up to 17.00

2 to 5 Tons

Cooling Capacity - 23,200 to 57,500 Btuh

MODEL NUMBER IDENTIFICATION



FEATURES

CONTENTS

| | |
|---|----|
| AHRI System Matches - North / South Regions | 10 |
| AHRI System Matches - Southwest Region | 35 |
| Dimensions | 8 |
| Electrical Data..... | 6 |
| Features..... | 2 |
| Field Wiring..... | 7 |
| Installation Clearances | 7 |
| Model Number Identification | 1 |
| Optional Accessories | 6 |
| Outdoor Sound Data..... | 7 |
| Specifications..... | 6 |



WARRANTY

Compressor - limited warranty for ten years in residential installations and five years in non-residential installations.

All other covered components - five years in residential installations and one year in non-residential installations.

Refer to Lennox Equipment Limited Warranty certificate included with unit for specific details.

APPROVALS

AHRI Certified to AHRI Standard 210/240-2008.

Sound rated in Lennox reverberant sound test room in accordance with test conditions included in AHRI Standard 270-2008.

Tested in the Lennox Research Laboratory environmental test room.

Rated according to U.S. Department of Energy (DOE) test procedures.

Region specific models meet the minimum efficiency requirements for U.S DOE Federal Regional Standards in that area.

Air conditioners and components within bonded for grounding to meet safety standards for servicing required by UL and CEC.

Units are ETL certified for the U.S. and Canada.

ISO 9001 Registered Manufacturing Quality System.

For expanded ratings, see www.LennoxPROs.com.

APPLICATIONS

SEER up to 17.20.

2 through 5 ton.

Single phase power supply.

Sound levels as low as 74 dB.

Vertical air discharge allows concealment behind shrubs at grade level or out of sight on a roof.

Matching add-on furnace indoor coils or air handlers provide a wide range of cooling capacities and applications. See AHRI System Matches.

See Indoor Coils and Air Handlers tab sections for data.

Units shipped completely factory assembled, piped, and wired. Each unit is test operated at the factory insuring proper operation.

Installer must set air conditioner, connect refrigerant lines, and make electrical connections to complete job.

FEATURES

REFRIGERATION SYSTEM

R-410A Refrigerant

Non-chlorine, ozone friendly, R-410A.
Unit pre-charged with refrigerant.
See Specification table.



1 Outdoor Coil Fan

Direct drive fan moves large air volumes uniformly through entire condenser coil for high refrigerant cooling capacity. 048 models have a variable-speed outdoor fan motor for quiet operation.

Vertical air discharge minimizes operating sounds and eliminates damage to lawn and shrubs.

Fan motor has sleeve bearings and is inherently protected.

Motor totally enclosed for maximum protection from weather, dust and corrosion

Fan guard constructed of corrosion-resistant PVC (polyvinyl chloride) coated steel.

Fan service access accomplished by removal of fan guard.

2 Copper Tube/Enhanced Fin Coil

Lennox designed and fabricated coil.

Ripple-edged aluminum fins.

Copper tube construction.

Lanced fins provide maximum exposure of fin surface to air stream resulting in excellent heat transfer.

Fin collars grip tubing for maximum contact area.

Flared shoulder tubing connections/silver soldering construction.

Coil is factory tested under high pressure to insure leakproof construction.

Entire coil is accessible for cleaning.

3 High Pressure Switch

Shuts off unit if abnormal operating conditions cause the discharge pressure to rise above setting.

Protects compressor from excessive condensing pressure.

Auto-reset.

4 Low Pressure Switch

Shuts off unit if suction pressure falls below setting.

Provides loss of charge and freeze-up protection.

Auto-reset.

5 Hi-Capacity Liquid Line Drier

Factory installed in the liquid line, the drier traps moisture or dirt that could contaminate the refrigerant system.

100% molecular-sieve bead type drier.

Optional Accessories

Expansion Valve Kits

Must be ordered extra and field installed on certain indoor units. See TXV Usage table.

Chatleff style fitting.

Freezestat

Installs on or near the discharge line of the indoor coil or on the suction line.

Senses suction line temperature and cycles the compressor off when suction line temperature falls below it's setpoint.

Opens at 29°F and closes at 58°F.

Refrigerant Line Kits

Refrigerant lines (suction & liquid) are shipped refrigeration clean. Lines are cleaned, dried, pressurized, and sealed at factory.

Suction line fully insulated.

L15 lines are stubbed at both ends.

See Specifications table for selection.

Not available for -060 model and must be field fabricated.

FEATURES

COMPRESSOR

6 Copeland Scroll Ultra Tech™ Two-Stage Compressor

Compressor features high efficiency with uniform suction flow, constant discharge flow, high volumetric efficiency and quiet operation.

Compressor consists of two involute spiral scrolls matched together to generate a series of crescent shaped gas pockets between them.

During compression, one scroll remains stationary while the other scroll orbits around it.

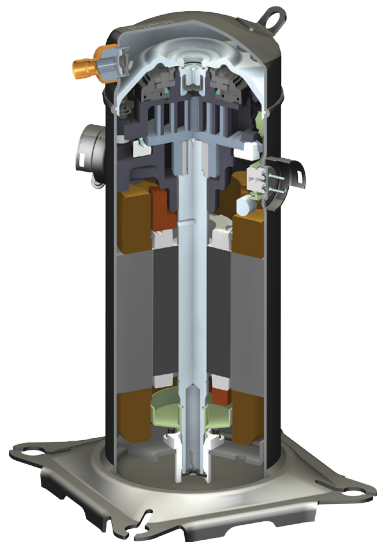
Gas is drawn into the outer pocket, the pocket is sealed as the scroll rotates.

As the spiral movement continues, gas pockets are pushed to the center of the scrolls. Volume between the pockets is simultaneously reduced.

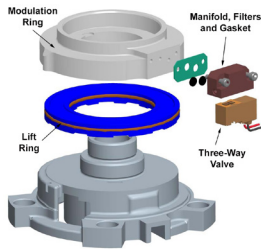
When the pocket reaches the center, gas is now at high pressure and is forced out of a port located in the center of the fixed scrolls. During compression, several pockets are compressed simultaneously resulting in a smooth continuous compression cycle.

Continuous flank contact, maintained by centrifugal force, minimizes gas leakage and maximizes efficiency. Scroll compressor is tolerant to the effects of slugging and contaminants. If this occurs, scrolls separate, allowing liquid or contaminants to be worked toward the center and discharged.

During the compression process, there are several pockets in the scroll that are compressing gas. Modulation is achieved by venting a portion of the gas in the first suction pocket back to the low side of the compressor thereby reducing the effective displacement of the compressor.



A 24-volt DC solenoid valve inside the compressor controls staging. When the 3-way solenoid is energized it moves the lift ring assembly to block the ports and the compressor operates at full-load or 100% capacity. When the solenoid is de-energized the lift ring assembly moves to unblock the compressor ports and the compressor operates at part-load or approximately 67% of its full-load capacity.



The “loading” and “unloading” of the two stage scroll is done “on the fly” without shutting off the single-speed compressor motor between stages.

Low gas pulses during compression reduces operational sound levels.

Compressor motor is internally protected from excessive current and temperature.

Compressor is installed in the unit on specially formulated, resilient rubber mounts for better sound dampening and vibration free operation.

Crankcase Heater (048-060 models only)

Crankcase heater prevents migration of liquid refrigerant into compressor and ensures proper compressor lubrication.

Optional Accessories

Crankcase Heater (Optional for 024-036 models)

Crankcase heater prevents migration of liquid refrigerant into compressor and ensures proper compressor lubrication.

Compressor Hard Start Kit

Single-phase units are equipped with a PSC compressor motor. This type of motor normally does not need a potential relay and start capacitor.

In conditions such as low voltage, kit may be required to increase the compressor starting torque.

Hard start kit is required in applications where the supply voltage is less than 230V.

FEATURES

CONTROLS

Optional Accessories

Blower Relay Kit

(For Use With EL195E and ML180E Gas Furnaces)

Allows furnace blower speed changes when matched with two-stage air conditioners.

ComfortSense® 7500 Touchscreen Thermostat

Electronic 7-day, universal, multi-stage, programmable, touchscreen thermostat.

4 Heat/2 Cool.

Auto-changeover.

Controls dehumidification during cooling mode.

Offers enhanced capabilities including humidification / dehumidification / dewpoint measurement and control, *Humiditrol*® control, and equipment maintenance reminders.

Easy-to-use, menu driven thermostat with a back-lit, LCD touchscreen.

Remote outdoor temperature sensor (optional) allows the thermostat to display outdoor temperature. Required in dual fuel and *Humiditrol*® applications.

See the ComfortSense 7500 Product Specifications bulletin in the Controls section for more information.



Indoor Blower Off Delay Relay

Delays the indoor blower-off time during the cooling cycle.

Indoor Blower Speed Relay

Relay kit provides the option of changing blower speeds on standard permanent split capacitor (PSC) multi-tap blower motors during cooling operation.

Provides optimum humidity control conditions by automatically reducing indoor blower speed during continuous fan operation or low stage compressor operation to reduce humidity levels.

Low Ambient Kit

Air conditioner will operate satisfactorily down to 45°F outdoor air temperature without any additional controls. Kit can be added in the field enabling unit to operate properly down to 30°F.

A Freezestat and optional Crankcase Heater (024-036) should be installed on compressors equipped with a Low Ambient Kit.

A Compressor Low Ambient Cut-Off Switch should be added to terminate compressor operation below recommended operation conditions.

Thermostat

Thermostat not furnished with unit. See Thermostat bulletins in Controls Section and Lennox Price Book.

CABINET

- 7 Heavy-gauge steel construction
Pre-painted cabinet finish.
Control box is conveniently located with all controls factory wired.
Large removable panel provides service access.
Drainage holes are provided in base section for moisture removal.
High density polyethylene unit support feet raise the unit off of the mounting surface, away from damaging moisture.

PermaGuard™ Unit Base

Durable zinc-coated base section resists rust and corrosion.

- 8 SmartHinge™ Louvered Coil Protection

Steel louvered panels provides complete coil protection.
Panels are hinged to allow easy cleaning and servicing of coils.
Panels may be completely removed.
Interlocking tabs and slots assure tight fit on cabinet.



- 9 Refrigerant Line Connections, Electrical Inlets and Service Valves

Suction and liquid lines are located on corner of unit cabinet and are made with sweat connections. See dimension drawing.

Fully serviceable brass service valves prevent corrosion and provide access to refrigerant system. Suction valve can be fully shut off, while liquid valve may be front seated to manage refrigerant charge while servicing system.

Refrigerant line connections and field wiring inlets are located in one central area of the cabinet. See dimension drawing.

SPECIFICATIONS

| General Data | Model No. | Southwest Region | XC16-024 | XC16-036 | XC16-048 | XC16-060 |
|-----------------------------|---------------------------|------------------|--------------|--------------|---------------|---------------|
| | North / South Regions | | XC16S024 | XC16S036 | XC16S048 | XC16S060 |
| | Nominal Tonnage | | 2 | 3 | 4 | 5 |
| Connections (sweat) | Liquid line (o.d.) - in. | | 3/8 | 3/8 | 3/8 | 3/8 |
| | Suction line (o.d.) - in. | | 3/4 | 7/8 | 7/8 | 1-1/8 |
| Refrigerant | 1 R-410A charge furnished | | 7 lbs. 5 oz. | 8 lbs. 6 oz. | 10 lbs. 7 oz. | 12 lbs. 1 oz. |
| Outdoor Coil | Net face area - sq. ft. | Outer coil | 24.50 | 16.33 | 21.00 | 29.09 |
| | | Inner coil | --- | 15.76 | 20.27 | 28.24 |
| | Tube diameter - in. | | 5/16 | 5/16 | 5/16 | 5/16 |
| | No. of rows | | 1 | 2 | 2 | 2 |
| | Fins per inch | | 26 | 22 | 22 | 22 |
| Outdoor Fan | Diameter - in. | | 22 | 22 | 22 | 26 |
| | No. of blades | | 4 | 4 | 4 | 3 |
| | Motor hp | | 1/6 | 1/4 | 1/3 | 1/3 |
| | Cfm - 1st stage | | 3260 | 3500 | 3190 | 4325 |
| | 2nd stage | | --- | --- | 3700 | --- |
| | Rpm - 1st stage | | 840 | 825 | 705 | 865 |
| | 2nd stage | | --- | --- | 820 | --- |
| | Watts - 1st stage | | 220 | 300 | 165 | 240 |
| | 2nd stage | | --- | --- | 260 | --- |
| Shipping Data - lbs. 1 pkg. | | | 249 | 243 | 268 | 332 |

ELECTRICAL DATA

| Line voltage data - 60hz | 4 230V-1ph | 4 230V-1ph | 4 230V-1ph | 4 230V-1ph |
|--|-------------------|------------|------------|------------|
| ² Maximum overcurrent protection (amps) | 25 | 35 | 50 | 60 |
| ³ Minimum circuit ampacity | 15.7 | 20.8 | 29.2 | 35.6 |
| Compressor | Rated load amps | 11.66 | 15.25 | 21.15 |
| | Locked rotor amps | 58.3 | 83 | 104 |
| | Power factor | 0.98 | 0.99 | 0.99 |
| Outdoor Fan Motor | Full load amps | 1.0 | 1.7 | 2.8 |
| | Locked Rotor amps | 1.9 | 3.1 | N/A |

OPTIONAL ACCESSORIES - ORDER SEPARATELY

| | | | | | |
|--|-----------------|-----------|---|---|---|
| Blower Relay Kit (for EL195E and ML180E gas furnaces) | 85W66 | • | • | • | • |
| ComfortSense® 7500 Thermostat | 13H14 | • | • | • | • |
| Outdoor Temperature Sensor - for ComfortSense 7500 Thermostat | X2658 | • | • | • | • |
| Compressor Crankcase Heater | 93M04 | • | • | | |
| | Factory | | | • | • |
| Compressor Hard Start Kit - Required in applications with less than 230V | 63W22 | • | | | |
| | 10J42 | | • | • | |
| | 63W24 | | | | • |
| Compressor Low Ambient Cut-Off | 45F08 | • | • | • | • |
| Compressor Time-Off Control | 47J27 | • | • | • | • |
| Freezestat | 3/8 in. tubing | 93G35 | • | • | • |
| | 5/8 in. tubing | 50A93 | • | • | • |
| Indoor Blower Off Delay Relay | 58M81 | • | • | • | • |
| Indoor Blower Speed Relay Kit | 40K58 | • | • | • | • |
| ⁵ Low Ambient Kit (Fan Cycling) | 34M72 | • | • | | • |
| | 68M04 | | | • | |
| Refrigerant Line Sets | L15-41-20 | L15-41-40 | • | | |
| | L15-41-30 | L15-41-50 | | | |
| | L15-65-30 | L15-65-40 | | • | • |
| | | L15-65-50 | | | |
| | Field Fabricate | | | | • |

NOTE - Extremes of operating range are plus 10% and minus 5% of line voltage.

¹ Refrigerant charge sufficient for 15 ft. length of refrigerant lines. For longer line set requirements see the Installation Instructions for information about line set length and additional refrigerant charge required.

² HACR type breaker or fuse.

³ Refer to National or Canadian Electrical Code manual to determine wire, fuse and disconnect size requirements.

⁴ Hard Start Kit is required in applications where the supply voltage is less than 230V.

⁵ Crankcase Heater (if not furnished) and Freezestat are recommended with Low Ambient Kit.

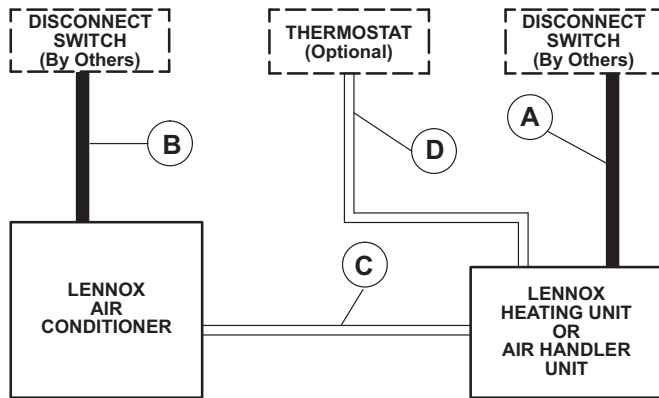
OUTDOOR SOUND DATA

| 1 Unit Model | Octave Band Linear Sound Power Levels dB, re 10 ⁻¹² Watts | | | | | | | 1 Sound Rating Number (dB) |
|--------------|--|------|------|------|------|------|------|----------------------------|
| | Center Frequency - HZ | | | | | | | |
| | 125 | 250 | 500 | 1000 | 2000 | 4000 | 8000 | |
| 024 | 66.6 | 65.5 | 66.4 | 62.7 | 57.9 | 55.1 | 55.5 | 73 |
| 036 | 70.6 | 67.9 | 66.7 | 63.1 | 57.5 | 54.7 | 55.4 | 74 |
| 048 | 64.7 | 64.1 | 65.8 | 65.2 | 60.3 | 56.1 | 53.7 | 74 |
| 060 | 68.9 | 67 | 66.4 | 67.4 | 58.9 | 57.3 | 52.5 | 74 |

NOTE - the octave sound power data does not include tonal correction.

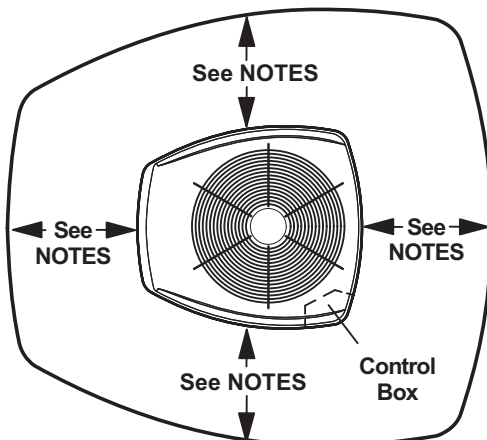
¹ Tested according to AHRI Standard 270-2008 test conditions.

FIELD WIRING



- A - Two Wire Power (not furnished)
 - B - Two Power (not furnished). See Electrical Data
 - C - Four Wire Low Voltage (not furnished). 18 ga. minimum
 - D - Six Wire Low Voltage (not furnished). 18 ga. minimum
- All wiring must conform to NEC or CEC and local electrical codes.*

INSTALLATION CLEARANCES - INCHES (MM)



NOTES:

Service clearance of 30 in. (762 mm) must be maintained on one of the sides adjacent to the control box.

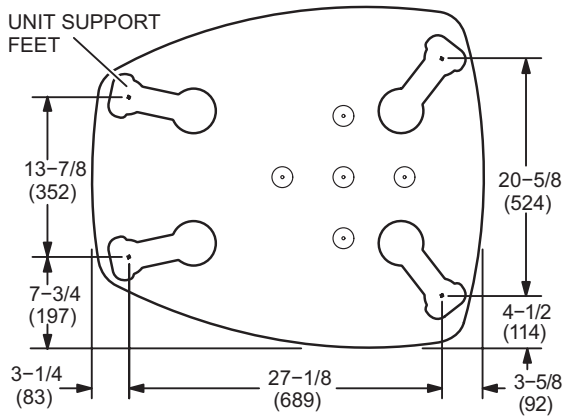
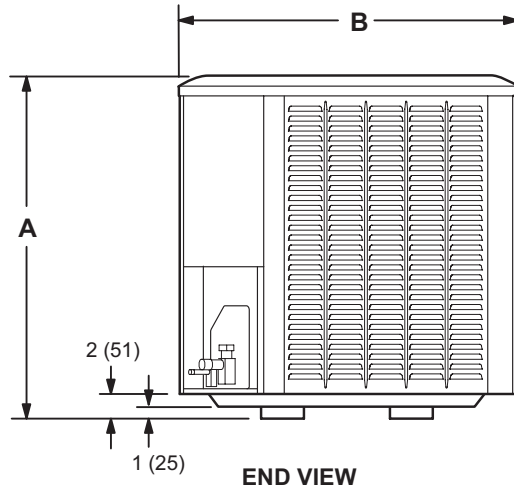
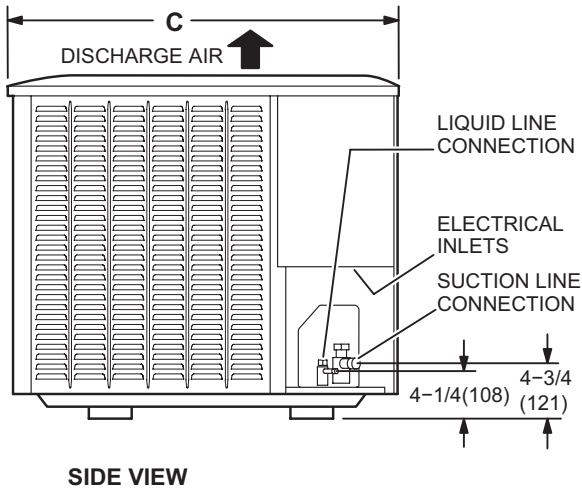
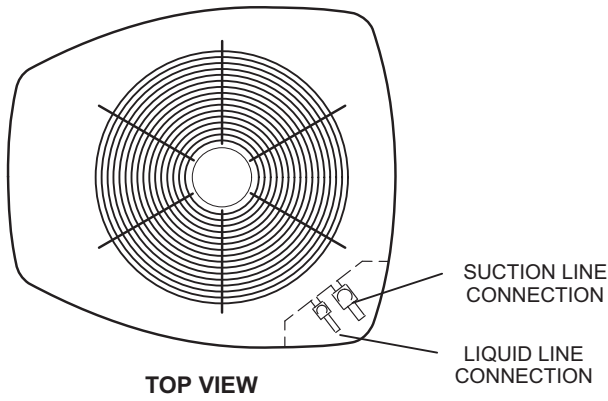
Clearance to one of the other three sides must be 36 in. (914 mm)

Clearance to one of the remaining two sides may be 12 in. (305 mm) and the final side may be 6 in. (152 mm).

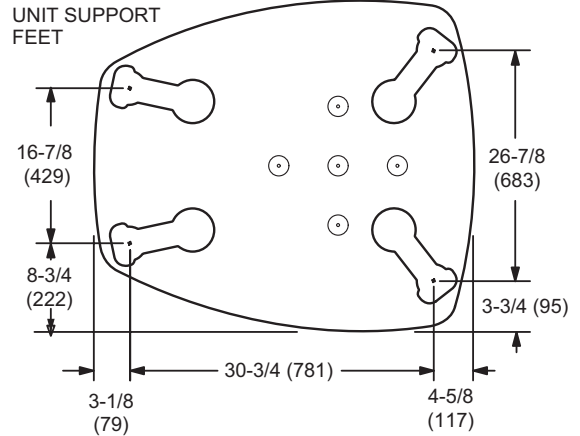
A clearance of 24 in. (610 mm) must be maintained between two units.

48 in. (1219 mm) clearance required on top of unit.

DIMENSIONS - INCHES (MM)



024 TO 048 BASE SECTION (Medium)



060 BASE SECTION (Large)

| Model | A | | B | | C | |
|-------|-----|------|--------|-----|--------|------|
| | in. | mm | in. | mm | in. | mm |
| 024 | 45 | 1143 | 30-1/2 | 775 | 35 | 889 |
| 036 | 31 | 787 | 30-1/2 | 775 | 35 | 889 |
| 048 | 39 | 991 | 30-1/2 | 775 | 35 | 889 |
| 060 | 45 | 1143 | 35-1/2 | 902 | 39-1/2 | 1003 |

TXV USAGE

Use this table for C33, C35, CH23, CH33, CH35 and CR33 Field Installed TXV/Orifice Match-Ups.

| Outdoor Unit Model No. | Order No. |
|------------------------|-----------|
| XC16(-)(S)024 | 12J18 |
| XC16(-)(S)036 | 12J19 |
| XC16(-)(S)048 | 12J20 |
| XC16(-)(S)060 | 12J20 |

CX34 and CX35 upflow coils and all Lennox air handlers are shipped with a factory installed TXV. In most cases, no change out of the valve is needed.

If a change out is required it will be listed in the "TXV SUBSTITUTIONS" table. The correct TXV must be ordered separately and field installed.

C33, C35 and CH33 coils - Use the orifice shipped with the outdoor unit or replace the factory installed orifice with the expansion valve listed.

CR33 and CH23 coils - Use the orifice shipped with the outdoor unit or use the expansion valve listed.

CH35 coils - Factory installed orifice must be replaced with the expansion valve listed.

MOST POPULAR MATCHES

| Outdoor Unit Model No. | Indoor Unit Model No |
|------------------------|------------------------------|
| XC16(-)(S)024 | CX34-36B with SL280UH090V36B |
| XC16(-)(S)036 | CX34-43C with SL280UH090V60C |
| XC16(-)(S)048 | CX34-62C with SL280UH090V60C |
| XC16(-)(S)060 | CX34-62C with SL280UH090V60C |

*TXV SUBSTITUTIONS

Use this table to determine if the factory installed TXV in the indoor unit needs to be replaced.

| Outdoor Unit Model No. | Handler | Factory TXV | Replacement TXV |
|------------------------|-----------------|-------------|-----------------|
| XC16(-)(S)036 | CBX25UHV-030 | 12J18 | 12J19 |
| XC16(-)(S)036 | CBX32MV-024/030 | 12J18 | 12J19 |

*Air handlers - The factory installed expansion valve must be replaced with the expansion valve listed (ordered separately).

If the combination is not listed above, the factory installed TXV is used.

AHRI STANDARD 210/240

Cooling or heating capacities are net values, including the effects of blower motor heat, and do not include supplementary heat. Power input is the total power input to the compressor(s) and fan(s), plus any controls and other items required as part of the system for normal operation.

Units which do not have an indoor air-circulating blower furnished as part of the model, i.e., split system with indoor coil only, is established by subtracting from the total cooling capacity 1250 Btu/h per 1,000 cfm, and by adding the same amount to the heating capacity. Total power input for both heating and cooling is increased by 365 W per 1,000 cfm of indoor air circulated.

AHRI SYSTEM MATCHES - NORTH / SOUTH REGIONS

NOTE - For the latest up-to-date system matches please visit the AHRI web site at <http://www.ahridirectory.org>

| Model No. | Expansion Device | Capacity | SEER | EER | Coil or Air Handler | Furnace | AHRI Reference |
|--------------|------------------|----------|------|------|---------------------|-----------------|----------------|
| XC16S024-230 | TXV | 24800 | 16 | 13 | C35-24A | SL280UH070V36A | 8255899 |
| XC16S024-230 | TXV | 23800 | 15.5 | 12.5 | C35-24B | EL195UH030XE24B | 8604030 |
| XC16S024-230 | TXV | 23800 | 15.5 | 12.5 | C35-24B | EL195UH045XE24B | 8604001 |
| XC16S024-230 | TXV | 24800 | 16 | 13 | C35-24B | EL296UH045XV36B | 8255901 |
| XC16S024-230 | TXV | 24600 | 15.1 | 13 | C35-24B | SL280UH090V36B | 8255902 |
| XC16S024-230 | TXV | 24600 | 16 | 13 | C35-24B | SLP98UH070XV36B | 8255900 |
| XC16S024-230 | TXV | 24200 | 14 | 12 | C35-24B | | 8255898 |
| XC16S024-230 | TXV | 24600 | 16 | 13 | C35-30/36A | SL280UH070V36A | 8255911 |
| XC16S024-230 | TXV | 24800 | 16 | 13 | C35-30/36A | SL280UH070XV36A | 8255910 |
| XC16S024-230 | TXV | 24600 | 16 | 13 | C35-30/36B | CBWMV-24B-040 | 8255913 |
| XC16S024-230 | TXV | 23800 | 15.5 | 12.5 | C35-30/36B | EL195UH030XE24B | 8604031 |
| XC16S024-230 | TXV | 23800 | 15.5 | 12.5 | C35-30/36B | EL195UH045XE24B | 8604002 |
| XC16S024-230 | TXV | 24600 | 16 | 13 | C35-30/36B | EL296UH045XV36B | 8255915 |
| XC16S024-230 | TXV | 24400 | 15.1 | 13 | C35-30/36B | SL280UH090V36B | 8255912 |
| XC16S024-230 | TXV | 24600 | 16 | 13 | C35-30/36B | SLP98UH070XV36B | 8255914 |
| XC16S024-230 | TXV | 24000 | 14 | 11.5 | C35-30/36B | | 8255909 |
| XC16S024-230 | TXV | 24600 | 16 | 13.5 | C35-30/36C | SLP98UH090XV36C | 8255916 |
| XC16S024-230 | TXV | 25200 | 17 | 13 | C35-30A | SL280UH070V36A | 8255905 |
| XC16S024-230 | TXV | 25400 | 17 | 13.5 | C35-30A | SL280UH070XV36A | 8255904 |
| XC16S024-230 | TXV | 23800 | 16 | 12.5 | C35-30B | EL195UH030XE24B | 8604032 |
| XC16S024-230 | TXV | 23800 | 16 | 12.5 | C35-30B | EL195UH045XE24B | 8604003 |
| XC16S024-230 | TXV | 25200 | 16 | 13.5 | C35-30B | EL296UH045XV36B | 8255907 |
| XC16S024-230 | TXV | 25000 | 16 | 13.5 | C35-30B | SL280UH090V36B | 8255908 |
| XC16S024-230 | TXV | 25200 | 16 | 13.5 | C35-30B | SLP98UH070XV36B | 8255906 |
| XC16S024-230 | TXV | 24600 | 14.5 | 12 | C35-30B | | 8255903 |
| XC16S024-230 | TXV | 25400 | 17 | 13.5 | C35-36A | SL280UH070V36A | 8255919 |
| XC16S024-230 | TXV | 25400 | 17 | 13.5 | C35-36A | SL280UH070XV36A | 8255918 |
| XC16S024-230 | TXV | 23800 | 16 | 13 | C35-36B | EL195UH030XE24B | 8604033 |
| XC16S024-230 | TXV | 23800 | 16 | 13 | C35-36B | EL195UH045XE24B | 8604004 |
| XC16S024-230 | TXV | 25400 | 16 | 13.5 | C35-36B | EL296UH045XV36B | 8255922 |
| XC16S024-230 | TXV | 25200 | 16 | 13.5 | C35-36B | SL280UH090V36B | 8255920 |
| XC16S024-230 | TXV | 25200 | 16 | 13.5 | C35-36B | SLP98UH070XV36B | 8255921 |
| XC16S024-230 | TXV | 24800 | 14.5 | 12.2 | C35-36B | | 8255917 |
| XC16S024-230 | TXV | 24000 | 16 | 13.5 | CBA27UHE-024 | | 10259501 |
| XC16S024-230 | TXV | 24000 | 17 | 13.5 | CBA27UHE-030 | | 10259502 |
| XC16S024-230 | TXV | 24000 | 16 | 13 | CBX25UHV-024 | | 7622702 |
| XC16S024-230 | TXV | 25000 | 16 | 13.5 | CBX27UH-024 | | 7622433 |
| XC16S024-230 | TXV | 25200 | 17 | 13.5 | CBX27UH-030 | | 7622434 |
| XC16S024-230 | TXV | 24400 | 14.5 | 12 | CBX32M-018/024 | | 7622436 |
| XC16S024-230 | TXV | 24400 | 15.5 | 12.2 | CBX32MV-018/024 | | 7622438 |
| XC16S024-230 | TXV | 24600 | 15.5 | 12.5 | CBX32MV-024/030 | | 7622439 |
| XC16S024-230 | TXV | 24800 | 16 | 12.5 | CBX40UHV-024 | | 7622595 |
| XC16S024-230 | TXV | 24800 | 15.5 | 13 | CBX40UHV-030 | | 7622597 |
| XC16S024-230 | TXV | 22800 | 14.5 | 11.5 | CH23-31 | EL195UH030XE24B | 8604034 |
| XC16S024-230 | TXV | 22800 | 14.5 | 11.5 | CH23-31 | EL195UH045XE24B | 8604005 |
| XC16S024-230 | TXV | 23600 | 15.5 | 13 | CH23-31 | EL296UH070XV36B | 7622598 |
| XC16S024-230 | TXV | 23600 | 15.1 | 12.5 | CH23-31 | SL280UH070V36A | 7622441 |
| XC16S024-230 | TXV | 23800 | 16 | 12.5 | CH23-31 | SL280UH070XV36A | 7622600 |
| XC16S024-230 | TXV | 23400 | 15 | 12.5 | CH23-31 | SL280UH090V36B | 7622443 |
| XC16S024-230 | TXV | 23600 | 15.5 | 13 | CH23-31 | SLP98UH070XV36B | 7622444 |
| XC16S024-230 | TXV | 23800 | 15.5 | 12.5 | CH23-41 | EL195UH030XE24B | 8604035 |

Ratings AHRI Certified to AHRI Standard 210/240 (with 25 ft. of connecting refrigerant lines); 95°F outdoor air temperature, 80°F db / 67°F wb entering evaporator air.

All ratings include the use of a blower time delay relay (TDR). All Lennox variable-speed furnaces and Air Handlers have time delay capabilities. Other Furnaces and Air Handlers may require an optional time delay relay (58M81) for field installation. See furnace or air handler specifications to determine if relay is needed.

Also see Expansion Valve Kit Usage Table.

AHRI SYSTEM MATCHES - NORTH / SOUTH REGIONS

NOTE - For the latest up-to-date system matches please visit the AHRI web site at <http://www.ahridirectory.org>

| Model No. | Expansion Device | Capacity | SEER | EER | Coil or Air Handler | Furnace | AHRI Reference |
|--------------|------------------|----------|------|------|---------------------|-----------------|----------------|
| XC16S024-230 | TXV | 23800 | 15.5 | 12.5 | CH23-41 | EL195UH045XE24B | 8604006 |
| XC16S024-230 | TXV | 24600 | 16 | 13 | CH23-41 | EL296UH070XV36B | 7622601 |
| XC16S024-230 | TXV | 24800 | 16 | 13 | CH23-41 | SL280UH070V36A | 7622448 |
| XC16S024-230 | TXV | 24800 | 16 | 13 | CH23-41 | SL280UH070XV36A | 7622603 |
| XC16S024-230 | TXV | 24600 | 15.1 | 13 | CH23-41 | SL280UH090V36B | 7622450 |
| XC16S024-230 | TXV | 24800 | 15.1 | 13 | CH23-41 | SL280UH090V48B | 7622605 |
| XC16S024-230 | TXV | 24600 | 16 | 13 | CH23-41 | SLP98UH070XV36B | 7622451 |
| XC16S024-230 | TXV | 24200 | 14 | 12 | CH23-41 | | 7622446 |
| XC16S024-230 | TXV | 24200 | 16 | 13 | CH33-19 | SL280UH070V36A | 7622455 |
| XC16S024-230 | TXV | 24400 | 16 | 13 | CH33-19 | SL280UH070XV36A | 7622606 |
| XC16S024-230 | TXV | 23600 | 14 | 11.5 | CH33-19 | | 7622453 |
| XC16S024-230 | TXV | 24200 | 16 | 12.5 | CH33-24/30 | SL280UH070V36A | 7622459 |
| XC16S024-230 | TXV | 23600 | 14 | 11.5 | CH33-24/30 | | 7622457 |
| XC16S024-230 | TXV | 23800 | 15.5 | 12.5 | CH33-25 | EL195UH030XE24B | 8604036 |
| XC16S024-230 | TXV | 23800 | 15.5 | 12.5 | CH33-25 | EL195UH045XE24B | 8604007 |
| XC16S024-230 | TXV | 24800 | 16 | 13 | CH33-25A | SL280UH070V36A | 7622462 |
| XC16S024-230 | TXV | 25000 | 16 | 13 | CH33-25A | SL280UH070XV36A | 7622610 |
| XC16S024-230 | TXV | 24200 | 14.5 | 12 | CH33-25A | | 7622461 |
| XC16S024-230 | TXV | 24600 | 16 | 13 | CH33-25B | EL296UH045XV36B | 7622466 |
| XC16S024-230 | TXV | 24600 | 16 | 13 | CH33-25B | EL296UH070XV36B | 7622608 |
| XC16S024-230 | TXV | 24400 | 15.1 | 13 | CH33-25B | SL280UH090V36B | 7622468 |
| XC16S024-230 | TXV | 24800 | 15.1 | 13 | CH33-25B | SL280UH090V48B | 7622611 |
| XC16S024-230 | TXV | 24600 | 16 | 13 | CH33-25B | SLP98UH070XV36B | 7622470 |
| XC16S024-230 | TXV | 24000 | 14 | 11.5 | CH33-25B | | 7622464 |
| XC16S024-230 | TXV | 23800 | 16 | 12.5 | CH33-31 | EL195UH030XE24B | 8604037 |
| XC16S024-230 | TXV | 23800 | 16 | 12.5 | CH33-31 | EL195UH045XE24B | 8604008 |
| XC16S024-230 | TXV | 25200 | 16 | 13 | CH33-31A | SL280UH070V36A | 7622473 |
| XC16S024-230 | TXV | 25400 | 16 | 13 | CH33-31A | SL280UH070XV36A | 7622615 |
| XC16S024-230 | TXV | 24600 | 14.5 | 12 | CH33-31A | | 7622471 |
| XC16S024-230 | TXV | 25200 | 16 | 13.5 | CH33-31B | EL296UH045XV36B | 7622477 |
| XC16S024-230 | TXV | 25200 | 17 | 13.5 | CH33-31B | EL296UH070XV36B | 7622613 |
| XC16S024-230 | TXV | 25200 | 16 | 13.5 | CH33-31B | SL280UH090V36B | 7622479 |
| XC16S024-230 | TXV | 25400 | 16 | 13 | CH33-31B | SL280UH090V48B | 7622616 |
| XC16S024-230 | TXV | 25200 | 16 | 13.5 | CH33-31B | SLP98UH070XV36B | 7622480 |
| XC16S024-230 | TXV | 24800 | 14.5 | 12.2 | CH33-31B | | 7622475 |
| XC16S024-230 | TXV | 23800 | 15.5 | 12.5 | CH33-36 | EL195UH030XE24B | 8604038 |
| XC16S024-230 | TXV | 23800 | 15.5 | 12.5 | CH33-36 | EL195UH045XE24B | 8604009 |
| XC16S024-230 | TXV | 24600 | 16 | 13 | CH33-36A | SL280UH070V36A | 7622484 |
| XC16S024-230 | TXV | 24600 | 16 | 13 | CH33-36A | SL280UH070XV36A | 7622619 |
| XC16S024-230 | TXV | 24000 | 14 | 11.5 | CH33-36A | | 7622482 |
| XC16S024-230 | TXV | 24600 | 16 | 13 | CH33-36B | EL296UH045XV36B | 7622488 |
| XC16S024-230 | TXV | 24600 | 16 | 13 | CH33-36B | EL296UH070XV36B | 7622618 |
| XC16S024-230 | TXV | 24400 | 15.1 | 13 | CH33-36B | SL280UH090V36B | 7622489 |
| XC16S024-230 | TXV | 24600 | 16 | 13 | CH33-36B | SLP98UH070XV36B | 7622491 |
| XC16S024-230 | TXV | 24000 | 14 | 11.5 | CH33-36B | | 7622486 |
| XC16S024-230 | TXV | 24800 | 16 | 13.5 | CH33-36C | EL296UH090XV36C | 7622621 |
| XC16S024-230 | TXV | 24800 | 16.5 | 13.5 | CH33-36C | SLP98UH090XV36C | 7622623 |
| XC16S024-230 | TXV | 24000 | 16 | 13 | CH35-18A | SL280UH070V36A | 7623646 |
| XC16S024-230 | TXV | 24000 | 16 | 13 | CH35-18A | SL280UH070XV36A | 7623509 |
| XC16S024-230 | TXV | 23800 | 14 | 11.5 | CH35-18A | | 7623507 |
| XC16S024-230 | TXV | 24000 | 16 | 13 | CH35-24A | SL280UH070V36A | 7623648 |

Ratings AHRI Certified to AHRI Standard 210/240 (with 25 ft. of connecting refrigerant lines); 95°F outdoor air temperature, 80°F db / 67°F wb entering evaporator air.

All ratings include the use of a blower time delay relay (TDR). All Lennox variable-speed furnaces and Air Handlers have time delay capabilities. Other Furnaces and Air Handlers may require an optional time delay relay (**58M81**) for field installation. See furnace or air handler specifications to determine if relay is needed.

Also see Expansion Valve Kit Usage Table.

AHRI SYSTEM MATCHES - NORTH / SOUTH REGIONS

NOTE - For the latest up-to-date system matches please visit the AHRI web site at <http://www.ahridirectory.org>

| Model No. | Expansion Device | Capacity | SEER | EER | Coil or Air Handler | Furnace | AHRI Reference |
|--------------|------------------|----------|-------|------|---------------------|-----------------|----------------|
| XC16S024-230 | TXV | 24000 | 16 | 13 | CH35-24A | SL280UH070XV36A | 7623513 |
| XC16S024-230 | TXV | 24000 | 14.5 | 12 | CH35-24A | | 7623511 |
| XC16S024-230 | TXV | 23800 | 15.5 | 12.5 | CH35-24B | EL195UH030XE24B | 8604039 |
| XC16S024-230 | TXV | 23800 | 15.5 | 12.5 | CH35-24B | EL195UH045XE24B | 8604010 |
| XC16S024-230 | TXV | 24000 | 16 | 13 | CH35-24B | EL296UH045XV36B | 7623516 |
| XC16S024-230 | TXV | 24000 | 16 | 13 | CH35-24B | EL296UH070XV36B | 7623518 |
| XC16S024-230 | TXV | 24000 | 15.1 | 13 | CH35-24B | SL280UH090V36B | 7623649 |
| XC16S024-230 | TXV | 24000 | 15.1 | 13 | CH35-24B | SL280UH090V48B | 7623519 |
| XC16S024-230 | TXV | 24000 | 16 | 13 | CH35-24B | SLP98UH070XV36B | 7623651 |
| XC16S024-230 | TXV | 24000 | 14.25 | 12 | CH35-24B | | 7623514 |
| XC16S024-230 | TXV | 24000 | 16 | 13 | CH35-30A | SL280UH070V36A | 7623653 |
| XC16S024-230 | TXV | 24000 | 17 | 13 | CH35-30A | SL280UH070XV36A | 7623523 |
| XC16S024-230 | TXV | 24000 | 14.5 | 12.2 | CH35-30A | | 7623521 |
| XC16S024-230 | TXV | 23800 | 16 | 12.5 | CH35-30B | EL195UH030XE24B | 8604040 |
| XC16S024-230 | TXV | 23800 | 16 | 12.5 | CH35-30B | EL195UH045XE24B | 8604011 |
| XC16S024-230 | TXV | 24000 | 16 | 13 | CH35-30B | EL296UH045XV36B | 7623526 |
| XC16S024-230 | TXV | 24000 | 16 | 13 | CH35-30B | EL296UH070XV36B | 7623528 |
| XC16S024-230 | TXV | 24000 | 16 | 13 | CH35-30B | SL280UH090V36B | 7623655 |
| XC16S024-230 | TXV | 24000 | 16 | 13 | CH35-30B | SL280UH090V48B | 7623529 |
| XC16S024-230 | TXV | 24000 | 16 | 13 | CH35-30B | SLP98UH070XV36B | 7623656 |
| XC16S024-230 | TXV | 24000 | 14.5 | 12.2 | CH35-30B | | 7623524 |
| XC16S024-230 | TXV | 24000 | 16 | 13 | CH35-36A | SL280UH070V36A | 7623658 |
| XC16S024-230 | TXV | 24000 | 16 | 13 | CH35-36A | SL280UH070XV36A | 7623533 |
| XC16S024-230 | TXV | 24000 | 14.25 | 11.5 | CH35-36A | | 7623531 |
| XC16S024-230 | TXV | 23800 | 15.5 | 12.5 | CH35-36B | EL195UH030XE24B | 8604041 |
| XC16S024-230 | TXV | 23800 | 15.5 | 12.5 | CH35-36B | EL195UH045XE24B | 8604012 |
| XC16S024-230 | TXV | 24000 | 16 | 13 | CH35-36B | EL296UH045XV36B | 7623538 |
| XC16S024-230 | TXV | 24000 | 16 | 13 | CH35-36B | EL296UH070XV36B | 7623539 |
| XC16S024-230 | TXV | 24000 | 15.1 | 13 | CH35-36B | SL280UH090V36B | 7623660 |
| XC16S024-230 | TXV | 24000 | 16 | 13 | CH35-36B | SLP98UH070XV36B | 7623662 |
| XC16S024-230 | TXV | 24000 | 14.25 | 11.5 | CH35-36B | | 7623534 |
| XC16S024-230 | TXV | 24000 | 16 | 13 | CH35-36C | EL296UH090XV36C | 7623541 |
| XC16S024-230 | TXV | 24000 | 16 | 13 | CH35-36C | SLP98UH090XV36C | 7623543 |
| XC16S024-230 | TXV | 24000 | 14.25 | 11.5 | CH35-36C | | 7623536 |
| XC16S024-230 | TXV | 25200 | 17 | 13.5 | CR33-30/36 | EL296DF045XV36B | 7625417 |
| XC16S024-230 | TXV | 25200 | 16 | 13 | CR33-30/36 | EL296DF070XV48B | 7622495 |
| XC16S024-230 | TXV | 25200 | 16 | 13 | CR33-30/36 | SL280DF070V36A | 7622657 |
| XC16S024-230 | TXV | 24600 | 16 | 13.5 | CR33-30/36 | SLP98DF070XV36B | 7622624 |
| XC16S024-230 | TXV | 25000 | 16 | 13.5 | CR33-30/36 | SLP98DF090XV36C | 7622626 |
| XC16S024-230 | TXV | 24400 | 14.5 | 12 | CR33-30/36 | | 7622493 |
| XC16S024-230 | TXV | 23600 | 15.1 | 12.5 | CX35-18/24A | SL280UH070V36A | 8255925 |
| XC16S024-230 | TXV | 23800 | 15.1 | 12.5 | CX35-18/24A | SL280UH070XV36A | 8255924 |
| XC16S024-230 | TXV | 23600 | 15 | 12.5 | CX35-18/24B | CBWMV-24B-040 | 10264192 |
| XC16S024-230 | TXV | 23200 | 15 | 12.2 | CX35-18/24B | EL195UH030XE24B | 8604019 |
| XC16S024-230 | TXV | 23200 | 15 | 12.2 | CX35-18/24B | EL195UH045XE24B | 8603990 |
| XC16S024-230 | TXV | 23600 | 15 | 12.5 | CX35-18/24B | EL296UH045XV36B | 8255929 |
| XC16S024-230 | TXV | 23600 | 15.5 | 12.5 | CX35-18/24B | EL296UH070XV36B | 8255926 |
| XC16S024-230 | TXV | 23400 | 14.5 | 12.5 | CX35-18/24B | SL280UH090V36B | 8255927 |
| XC16S024-230 | TXV | 23600 | 15 | 12.5 | CX35-18/24B | SLP98UH070XV36B | 8255928 |
| XC16S024-230 | TXV | 24800 | 16 | 13 | CX35-24A | SL280UH070V36A | 8255932 |
| XC16S024-230 | TXV | 24800 | 16 | 13 | CX35-24A | SL280UH070XV36A | 8255931 |

Ratings AHRI Certified to AHRI Standard 210/240 (with 25 ft. of connecting refrigerant lines); 95°F outdoor air temperature, 80°F db / 67°F wb entering evaporator air.

All ratings include the use of a blower time delay relay (TDR). All Lennox variable-speed furnaces and Air Handlers have time delay capabilities. Other Furnaces and Air Handlers may require an optional time delay relay (**58M81**) for field installation. See furnace or air handler specifications to determine if relay is needed.

Also see Expansion Valve Kit Usage Table.

AHRI SYSTEM MATCHES - NORTH / SOUTH REGIONS

NOTE - For the latest up-to-date system matches please visit the AHRI web site at <http://www.ahridirectory.org>

| Model No. | Expansion Device | Capacity | SEER | EER | Coil or Air Handler | Furnace | AHRI Reference |
|--------------|------------------|----------|------|------|---------------------|-----------------|----------------|
| XC16S024-230 | TXV | 24200 | 14 | 12 | CX35-24A | | 10190774 |
| XC16S024-230 | TXV | 23800 | 15.5 | 12.5 | CX35-24B | EL195UH030XE24B | 8604020 |
| XC16S024-230 | TXV | 23800 | 15.5 | 12.5 | CX35-24B | EL195UH045XE24B | 8603991 |
| XC16S024-230 | TXV | 24800 | 16 | 13 | CX35-24B | EL296UH045XV36B | 8255936 |
| XC16S024-230 | TXV | 24800 | 16 | 13.5 | CX35-24B | EL296UH070XV36B | 8255934 |
| XC16S024-230 | TXV | 24600 | 15.1 | 13 | CX35-24B | SL280UH090V36B | 8255937 |
| XC16S024-230 | TXV | 24800 | 16 | 13 | CX35-24B | SL280UH090V48B | 8255933 |
| XC16S024-230 | TXV | 24600 | 16 | 13 | CX35-24B | SLP98UH070XV36B | 8255935 |
| XC16S024-230 | TXV | 24200 | 14 | 12 | CX35-24B | | 8255930 |
| XC16S024-230 | TXV | 24600 | 16 | 13 | CX35-30/36A | SL280UH070V36A | 8255951 |
| XC16S024-230 | TXV | 24800 | 16 | 13 | CX35-30/36A | SL280UH070XV36A | 8255948 |
| XC16S024-230 | TXV | 24000 | 16 | 13 | CX35-30/36B | CBWMV-24B-040 | 9857552 |
| XC16S024-230 | TXV | 23800 | 15.5 | 12.5 | CX35-30/36B | EL195UH030XE24B | 8604021 |
| XC16S024-230 | TXV | 23800 | 15.5 | 12.5 | CX35-30/36B | EL195UH045XE24B | 8603992 |
| XC16S024-230 | TXV | 24600 | 16 | 13 | CX35-30/36B | EL296UH045XV36B | 8255955 |
| XC16S024-230 | TXV | 24600 | 16 | 13 | CX35-30/36B | EL296UH070XV36B | 8255953 |
| XC16S024-230 | TXV | 24400 | 16 | 13 | CX35-30/36B | SL280UH090V36B | 8255952 |
| XC16S024-230 | TXV | 24600 | 16 | 13 | CX35-30/36B | SLP98UH070XV36B | 8255954 |
| XC16S024-230 | TXV | 24000 | 14 | 11.5 | CX35-30/36B | | 8255946 |
| XC16S024-230 | TXV | 24600 | 16 | 13.5 | CX35-30/36C | EL296UH090XV36C | 10264194 |
| XC16S024-230 | TXV | 24600 | 16 | 13.5 | CX35-30/36C | SLP98UH090XV36C | 10264195 |
| XC16S024-230 | TXV | 25200 | 17 | 13 | CX35-30A | SL280UH070V36A | 8255940 |
| XC16S024-230 | TXV | 25400 | 17 | 13.5 | CX35-30A | SL280UH070XV36A | 8255939 |
| XC16S024-230 | TXV | 23800 | 16 | 12.5 | CX35-30B | EL195UH030XE24B | 8604022 |
| XC16S024-230 | TXV | 23800 | 16 | 12.5 | CX35-30B | EL195UH045XE24B | 8603993 |
| XC16S024-230 | TXV | 25200 | 16 | 13.5 | CX35-30B | EL296UH045XV36B | 8255944 |
| XC16S024-230 | TXV | 25200 | 16 | 13.5 | CX35-30B | EL296UH070XV36B | 10264193 |
| XC16S024-230 | TXV | 25000 | 16 | 13.5 | CX35-30B | SL280UH090V36B | 8255945 |
| XC16S024-230 | TXV | 25200 | 16 | 13 | CX35-30B | SL280UH090V48B | 8255942 |
| XC16S024-230 | TXV | 25200 | 16 | 13.5 | CX35-30B | SLP98UH070XV36B | 8255943 |
| XC16S024-230 | TXV | 24600 | 14.5 | 12 | CX35-30B | | 8255938 |
| XC16S024-230 | TXV | 25400 | 17 | 13.5 | CX35-36A | SL280UH070V36A | 8255958 |
| XC16S024-230 | TXV | 25400 | 17 | 13.5 | CX35-36A | SL280UH070XV36A | 8255957 |
| XC16S024-230 | TXV | 23800 | 16 | 13 | CX35-36B | EL195UH030XE24B | 8604023 |
| XC16S024-230 | TXV | 23800 | 16 | 13 | CX35-36B | EL195UH045XE24B | 8603994 |
| XC16S024-230 | TXV | 25400 | 16 | 13.5 | CX35-36B | EL296UH045XV36B | 8255963 |
| XC16S024-230 | TXV | 25200 | 17 | 13.5 | CX35-36B | EL296UH070XV36B | 10264196 |
| XC16S024-230 | TXV | 25200 | 16 | 13.5 | CX35-36B | SL280UH090V36B | 8255961 |
| XC16S024-230 | TXV | 25400 | 16 | 13.5 | CX35-36B | SL280UH090V48B | 8255960 |
| XC16S024-230 | TXV | 25200 | 16 | 13.5 | CX35-36B | SLP98UH070XV36B | 8255962 |
| XC16S024-230 | TXV | 24800 | 14.5 | 12.2 | CX35-36B | | 8255956 |
| XC16S024-230 | TXV | 24400 | 16 | 13 | CX38-36B | SL280UH090V36B | 10559083 |
| XC16S036-230 | TXV | 35000 | 14.5 | 11.7 | C35-30/36A | EL180UH045E36A | 8255965 |
| XC16S036-230 | TXV | 35000 | 15 | 11.7 | C35-30/36A | SL280UH070V36A | 8255966 |
| XC16S036-230 | TXV | 35000 | 15 | 11.7 | C35-30/36A | SL280UH070XV36A | 8255964 |
| XC16S036-230 | TXV | 35000 | 15 | 11.7 | C35-30/36B | EL180UH070E36B | 8255970 |
| XC16S036-230 | TXV | 34800 | 14.5 | 11 | C35-30/36B | EL195UH045XE36B | 8255973 |
| XC16S036-230 | TXV | 34800 | 14.5 | 11.7 | C35-30/36B | EL195UH070XE36B | 8255971 |
| XC16S036-230 | TXV | 34800 | 14.5 | 11 | C35-30/36B | EL296UH045XE36B | 8255967 |
| XC16S036-230 | TXV | 34800 | 15 | 11.7 | C35-30/36B | EL296UH045XV36B | 8255976 |
| XC16S036-230 | TXV | 34800 | 14.5 | 11.7 | C35-30/36B | EL296UH070XE36B | 8255968 |

Ratings AHRI Certified to AHRI Standard 210/240 (with 25 ft. of connecting refrigerant lines); 95°F outdoor air temperature, 80°F db / 67°F wb entering evaporator air.

All ratings include the use of a blower time delay relay (TDR). All Lennox variable-speed furnaces and Air Handlers have time delay capabilities. Other Furnaces and Air Handlers may require an optional time delay relay (**58M81**) for field installation. See furnace or air handler specifications to determine if relay is needed.

Also see Expansion Valve Kit Usage Table.

AHRI SYSTEM MATCHES - NORTH / SOUTH REGIONS

NOTE - For the latest up-to-date system matches please visit the AHRI web site at <http://www.ahridirectory.org>

| Model No. | Expansion Device | Capacity | SEER | EER | Coil or Air Handler | Furnace | AHRI Reference |
|--------------|------------------|----------|------|------|---------------------|-----------------|----------------|
| XC16S036-230 | TXV | 35200 | 15 | 12 | C35-30/36B | SL280UH090V36B | 8255974 |
| XC16S036-230 | TXV | 35000 | 15 | 12 | C35-30/36B | SL280UH090V48B | 8255975 |
| XC16S036-230 | TXV | 35200 | 15 | 12.2 | C35-30/36B | SL280UH090XV48B | 8255969 |
| XC16S036-230 | TXV | 35000 | 15 | 11.7 | C35-30/36B | SLP98UH070XV36B | 8255972 |
| XC16S036-230 | TXV | 34800 | 15 | 12 | C35-30/36C | CBWMV-36C-090 | 8255981 |
| XC16S036-230 | TXV | 34800 | 15 | 12 | C35-30/36C | EL296UH090XV48C | 8255980 |
| XC16S036-230 | TXV | 35000 | 15 | 12.2 | C35-30/36C | EL296UH110XV48C | 8255988 |
| XC16S036-230 | TXV | 35400 | 15 | 12.2 | C35-30/36C | EL296UH110XV60C | 8255978 |
| XC16S036-230 | TXV | 35400 | 15 | 12 | C35-30/36C | SL280UH090V60C | 8255987 |
| XC16S036-230 | TXV | 35400 | 15.1 | 12 | C35-30/36C | SL280UH090XV60C | 8255979 |
| XC16S036-230 | TXV | 35200 | 15 | 12 | C35-30/36C | SL280UH110V60C | 8255986 |
| XC16S036-230 | TXV | 35400 | 15 | 12 | C35-30/36C | SL280UH110XV60C | 8255977 |
| XC16S036-230 | TXV | 35000 | 15 | 12 | C35-30/36C | SLP98UH090XV36C | 8255984 |
| XC16S036-230 | TXV | 35200 | 15 | 12 | C35-30/36C | SLP98UH090XV48C | 8255985 |
| XC16S036-230 | TXV | 35600 | 15 | 12 | C35-30/36C | SLP98UH090XV60C | 8255982 |
| XC16S036-230 | TXV | 35400 | 15 | 12.2 | C35-30/36C | SLP98UH110XV60C | 8255983 |
| XC16S036-230 | TXV | 36400 | 15.5 | 12.2 | C35-36A | EL180UH045E36A | 8255992 |
| XC16S036-230 | TXV | 36400 | 15.5 | 12.2 | C35-36A | EL180UH045XE36A | 8255990 |
| XC16S036-230 | TXV | 36400 | 15.5 | 12.2 | C35-36A | SL280UH070V36A | 8255993 |
| XC16S036-230 | TXV | 36400 | 15.5 | 12.2 | C35-36A | SL280UH070XV36A | 8255991 |
| XC16S036-230 | TXV | 36400 | 15.5 | 12.2 | C35-36B | EL180UH070E36B | 8255996 |
| XC16S036-230 | TXV | 36200 | 15 | 11.7 | C35-36B | EL195UH045XE36B | 8256004 |
| XC16S036-230 | TXV | 36200 | 15.5 | 12.2 | C35-36B | EL195UH070XE36B | 8256001 |
| XC16S036-230 | TXV | 36200 | 15 | 11.7 | C35-36B | EL296UH045XE36B | 8255997 |
| XC16S036-230 | TXV | 36200 | 15.5 | 12.2 | C35-36B | EL296UH045XV36B | 8256002 |
| XC16S036-230 | TXV | 36200 | 15.5 | 12.2 | C35-36B | EL296UH070XE36B | 8255998 |
| XC16S036-230 | TXV | 36400 | 15.5 | 12.2 | C35-36B | EL296UH070XV36B | 8255994 |
| XC16S036-230 | TXV | 36600 | 15.5 | 12.5 | C35-36B | SL280UH090V36B | 8256003 |
| XC16S036-230 | TXV | 36600 | 15.5 | 12.5 | C35-36B | SL280UH090V48B | 8255999 |
| XC16S036-230 | TXV | 36600 | 15.5 | 12.5 | C35-36B | SL280UH090XV48B | 8255995 |
| XC16S036-230 | TXV | 36400 | 15.5 | 12.2 | C35-36B | SLP98UH070XV36B | 8256000 |
| XC16S036-230 | TXV | 35800 | 14 | 11 | C35-36B | | 8255989 |
| XC16S036-230 | TXV | 36600 | 15.5 | 12.2 | C35-48B | EL180UH070E36B | 8256116 |
| XC16S036-230 | TXV | 36600 | 15.5 | 12.2 | C35-48B | EL180UH070XE36B | 8256111 |
| XC16S036-230 | TXV | 36400 | 15 | 11.7 | C35-48B | EL195UH045XE36B | 8256121 |
| XC16S036-230 | TXV | 36400 | 15.5 | 12.2 | C35-48B | EL195UH070XE36B | 8256122 |
| XC16S036-230 | TXV | 36400 | 15 | 11.7 | C35-48B | EL296UH045XE36B | 8256112 |
| XC16S036-230 | TXV | 36600 | 15.5 | 12.2 | C35-48B | EL296UH045XV36B | 8256120 |
| XC16S036-230 | TXV | 36400 | 15.5 | 12.2 | C35-48B | EL296UH070XE36B | 8256113 |
| XC16S036-230 | TXV | 36600 | 15.5 | 12.2 | C35-48B | EL296UH070XV36B | 8256114 |
| XC16S036-230 | TXV | 37000 | 16 | 12.5 | C35-48B | SL280UH090V36B | 8256117 |
| XC16S036-230 | TXV | 36000 | 16 | 12.5 | C35-48B | SL280UH090V48B | 8256118 |
| XC16S036-230 | TXV | 36000 | 16 | 12.5 | C35-48B | SL280UH090XV48B | 8256115 |
| XC16S036-230 | TXV | 36600 | 15.5 | 12.2 | C35-48B | SLP98UH070XV36B | 8256119 |
| XC16S036-230 | TXV | 36600 | 15.5 | 12.5 | C35-48C | CBWMV-36C-090 | 8256103 |
| XC16S036-230 | TXV | 37000 | 16 | 12.5 | C35-48C | CBWMV-60C-100 | 8256101 |
| XC16S036-230 | TXV | 36600 | 16 | 12.5 | C35-48C | EL296UH110XV48C | 8256109 |
| XC16S036-230 | TXV | 36600 | 15.1 | 12.2 | C35-48C | SL280UH090V60C | 8256123 |
| XC16S036-230 | TXV | 37000 | 15.1 | 12.5 | C35-48C | SL280UH090XV60C | 8256102 |
| XC16S036-230 | TXV | 36800 | 15.1 | 12.5 | C35-48C | SL280UH110V60C | 8256110 |
| XC16S036-230 | TXV | 36800 | 15.1 | 12.5 | C35-48C | SL280UH110XV60C | 8256106 |

Ratings AHRI Certified to AHRI Standard 210/240 (with 25 ft. of connecting refrigerant lines); 95°F outdoor air temperature, 80°F db / 67°F wb entering evaporator air.

All ratings include the use of a blower time delay relay (TDR). All Lennox variable-speed furnaces and Air Handlers have time delay capabilities. Other Furnaces and Air Handlers may require an optional time delay relay (58M81) for field installation. See furnace or air handler specifications to determine if relay is needed.

Also see Expansion Valve Kit Usage Table.

AHRI SYSTEM MATCHES - NORTH / SOUTH REGIONS

NOTE - For the latest up-to-date system matches please visit the AHRI web site at <http://www.ahridirectory.org>

| Model No. | Expansion Device | Capacity | SEER | EER | Coil or Air Handler | Furnace | AHRI Reference |
|--------------|------------------|----------|------|------|---------------------|-----------------|----------------|
| XC16S036-230 | TXV | 36800 | 15.5 | 12.5 | C35-48C | SLP98UH090XV36C | 8256107 |
| XC16S036-230 | TXV | 36800 | 16 | 12.5 | C35-48C | SLP98UH090XV48C | 8256108 |
| XC16S036-230 | TXV | 37200 | 16 | 12.5 | C35-48C | SLP98UH090XV60C | 8256104 |
| XC16S036-230 | TXV | 37000 | 15.5 | 12.5 | C35-48C | SLP98UH110XV60C | 8256105 |
| XC16S036-230 | TXV | 36200 | 14 | 11.7 | C35-48C | | 8256100 |
| XC16S036-230 | TXV | 37000 | 15.5 | 12.5 | C35-49C | EL296UH090XV36C | 8256008 |
| XC16S036-230 | TXV | 37600 | 16 | 12.5 | C35-49C | SL280UH090V60C | 8256012 |
| XC16S036-230 | TXV | 37600 | 16 | 12.5 | C35-49C | SL280UH090XV60C | 8256006 |
| XC16S036-230 | TXV | 37200 | 15.1 | 12.5 | C35-49C | SL280UH110V60C | 8256013 |
| XC16S036-230 | TXV | 37400 | 15.1 | 12.5 | C35-49C | SL280UH110XV60C | 8256007 |
| XC16S036-230 | TXV | 37000 | 16 | 12.5 | C35-49C | SLP98UH090XV36C | 8256014 |
| XC16S036-230 | TXV | 37400 | 16 | 12.5 | C35-49C | SLP98UH090XV48C | 8256009 |
| XC16S036-230 | TXV | 37600 | 16 | 12.5 | C35-49C | SLP98UH090XV60C | 8256010 |
| XC16S036-230 | TXV | 37400 | 16 | 12.5 | C35-49C | SLP98UH110XV60C | 8256011 |
| XC16S036-230 | TXV | 36400 | 14 | 11.7 | C35-49C | | 8256005 |
| XC16S036-230 | TXV | 36400 | 16 | 12.5 | C35-50/60C | EL296UH110XV48C | 8256015 |
| XC16S036-230 | TXV | 36000 | 15.5 | 12.2 | CBA27UHE-036 | | 10259503 |
| XC16S036-230 | TXV | 36000 | 16 | 12.5 | CBA27UHE-042 | | 10259504 |
| XC16S036-230 | TXV | 35400 | 15 | 12 | CBX25UHV-030 | | 7622704 |
| XC16S036-230 | TXV | 36000 | 15.5 | 12.2 | CBX25UHV-036 | | 7622706 |
| XC16S036-230 | TXV | 37000 | 16 | 13 | CBX25UHV-042 | | 7622714 |
| XC16S036-230 | TXV | 35800 | 15 | 12.2 | CBX27UH-036 | | 7621077 |
| XC16S036-230 | TXV | 37000 | 16 | 12.5 | CBX27UH-042 | | 7621079 |
| XC16S036-230 | TXV | 35200 | 14.5 | 11.7 | CBX32M-030 | | 7621081 |
| XC16S036-230 | TXV | 35400 | 14.5 | 11.7 | CBX32M-036 | | 7621082 |
| XC16S036-230 | TXV | 35600 | 14.5 | 11.7 | CBX32M-042 | | 7621084 |
| XC16S036-230 | TXV | 35600 | 15 | 12 | CBX32MV-024/030 | | 7621097 |
| XC16S036-230 | TXV | 36000 | 15.5 | 12 | CBX32MV-036 | | 7621098 |
| XC16S036-230 | TXV | 37000 | 16 | 12.5 | CBX32MV-048 | | 7621209 |
| XC16S036-230 | TXV | 35400 | 15 | 11.7 | CBX40UHV-030 | | 7621495 |
| XC16S036-230 | TXV | 35200 | 15 | 12 | CBX40UHV-036 | | 7621497 |
| XC16S036-230 | TXV | 36600 | 15.5 | 12.2 | CBX40UHV-042 | | 7621499 |
| XC16S036-230 | TXV | 36600 | 15 | 12.5 | CBX40UHV-048 | | 7621500 |
| XC16S036-230 | TXV | 35400 | 15 | 12 | CH23-41 | CBWMV-36B-070 | 9060119 |
| XC16S036-230 | TXV | 35600 | 15 | 12 | CH23-41 | EL180UH070E36B | 7621504 |
| XC16S036-230 | TXV | 35600 | 14.5 | 11.7 | CH23-41 | EL195UH045XE36B | 7621211 |
| XC16S036-230 | TXV | 35400 | 15 | 12 | CH23-41 | EL195UH070XE36B | 7621213 |
| XC16S036-230 | TXV | 35600 | 14.5 | 11.7 | CH23-41 | EL296UH045XE36B | 7621505 |
| XC16S036-230 | TXV | 35400 | 15 | 12 | CH23-41 | EL296UH070XE36B | 7621507 |
| XC16S036-230 | TXV | 35400 | 15.5 | 12 | CH23-41 | EL296UH070XV36B | 7621502 |
| XC16S036-230 | TXV | 35600 | 15.5 | 12.2 | CH23-41 | EL296UH090XV36C | 7621508 |
| XC16S036-230 | TXV | 35400 | 15.5 | 12.2 | CH23-41 | EL296UH090XV48C | 7621510 |
| XC16S036-230 | TXV | 36000 | 15.5 | 12.2 | CH23-41 | EL296UH090XV60C | 7621512 |
| XC16S036-230 | TXV | 35600 | 15.5 | 12.5 | CH23-41 | EL296UH110XV48C | 7621214 |
| XC16S036-230 | TXV | 36000 | 15.5 | 12.5 | CH23-41 | EL296UH110XV60C | 7621513 |
| XC16S036-230 | TXV | 35400 | 15.5 | 12.5 | CH23-41 | SL280UH090V36B | 7621100 |
| XC16S036-230 | TXV | 35600 | 15 | 12.5 | CH23-41 | SL280UH090V48B | 7621102 |
| XC16S036-230 | TXV | 36000 | 15.1 | 12.5 | CH23-41 | SL280UH090V60C | 7621103 |
| XC16S036-230 | TXV | 35600 | 15.5 | 12.5 | CH23-41 | SL280UH090XV48B | 7621515 |
| XC16S036-230 | TXV | 36000 | 15.1 | 12.5 | CH23-41 | SL280UH090XV60C | 7621517 |
| XC16S036-230 | TXV | 35800 | 15.1 | 12.2 | CH23-41 | SL280UH110V60C | 7621105 |

Ratings AHRI Certified to AHRI Standard 210/240 (with 25 ft. of connecting refrigerant lines); 95°F outdoor air temperature, 80°F db / 67°F wb entering evaporator air.

All ratings include the use of a blower time delay relay (TDR). All Lennox variable-speed furnaces and Air Handlers have time delay capabilities. Other Furnaces and Air Handlers may require an optional time delay relay (**58M81**) for field installation. See furnace or air handler specifications to determine if relay is needed.

Also see Expansion Valve Kit Usage Table.

AHRI SYSTEM MATCHES - NORTH / SOUTH REGIONS

NOTE - For the latest up-to-date system matches please visit the AHRI web site at <http://www.ahridirectory.org>

| Model No. | Expansion Device | Capacity | SEER | EER | Coil or Air Handler | Furnace | AHRI Reference |
|--------------|------------------|----------|------|------|---------------------|-----------------|----------------|
| XC16S036-230 | TXV | 35800 | 15.1 | 12.2 | CH23-41 | SL280UH110XV60C | 7621518 |
| XC16S036-230 | TXV | 35400 | 15.5 | 12 | CH23-41 | SLP98UH070XV36B | 7621107 |
| XC16S036-230 | TXV | 35600 | 15.5 | 12.2 | CH23-41 | SLP98UH090XV36C | 7621108 |
| XC16S036-230 | TXV | 35400 | 15.5 | 12.2 | CH23-41 | SLP98UH090XV48C | 7621110 |
| XC16S036-230 | TXV | 36000 | 15.5 | 12.2 | CH23-41 | SLP98UH090XV60C | 7621190 |
| XC16S036-230 | TXV | 36000 | 15.5 | 12.5 | CH23-41 | SLP98UH110XV60C | 7621192 |
| XC16S036-230 | TXV | 35600 | 15 | 12.5 | CH23-51 | EL180UH070E36B | 7621198 |
| XC16S036-230 | TXV | 35600 | 15 | 11.7 | CH23-51 | EL195UH045XE36B | 7621193 |
| XC16S036-230 | TXV | 35600 | 15 | 12.2 | CH23-51 | EL195UH070XE36B | 7621195 |
| XC16S036-230 | TXV | 35600 | 15 | 11.7 | CH23-51 | EL296UH045XE36B | 7621520 |
| XC16S036-230 | TXV | 35600 | 15 | 12.2 | CH23-51 | EL296UH070XE36B | 7621522 |
| XC16S036-230 | TXV | 35800 | 15.5 | 12.5 | CH23-51 | EL296UH110XV48C | 7621196 |
| XC16S036-230 | TXV | 36000 | 15.5 | 12 | CH23-65 | EL180UH070E36B | 7621448 |
| XC16S036-230 | TXV | 36000 | 15 | 11.7 | CH23-65 | EL195UH045XE36B | 7621200 |
| XC16S036-230 | TXV | 36000 | 15 | 12.2 | CH23-65 | EL195UH070XE36B | 7621201 |
| XC16S036-230 | TXV | 36000 | 15 | 11.7 | CH23-65 | EL296UH045XE36B | 7621450 |
| XC16S036-230 | TXV | 36000 | 15 | 12.2 | CH23-65 | EL296UH070XE36B | 7620892 |
| XC16S036-230 | TXV | 36200 | 15.5 | 12.5 | CH23-65 | EL296UH090XV36C | 7621523 |
| XC16S036-230 | TXV | 36000 | 15.5 | 12.5 | CH23-65 | EL296UH090XV48C | 7620894 |
| XC16S036-230 | TXV | 36600 | 16 | 12.5 | CH23-65 | EL296UH090XV60C | 7620895 |
| XC16S036-230 | TXV | 36400 | 16 | 12.5 | CH23-65 | EL296UH110XV60C | 7620897 |
| XC16S036-230 | TXV | 36600 | 15.1 | 12.5 | CH23-65 | SL280UH090V60C | 7621203 |
| XC16S036-230 | TXV | 36600 | 15.1 | 12.5 | CH23-65 | SL280UH090XV60C | 7620900 |
| XC16S036-230 | TXV | 36400 | 15.1 | 12.5 | CH23-65 | SL280UH110V60C | 7621205 |
| XC16S036-230 | TXV | 36400 | 15.1 | 12.5 | CH23-65 | SL280UH110XV60C | 7620898 |
| XC16S036-230 | TXV | 36200 | 15.5 | 12.5 | CH23-65 | SLP98UH090XV36C | 7621206 |
| XC16S036-230 | TXV | 36000 | 15.5 | 12.5 | CH23-65 | SLP98UH090XV48C | 7621208 |
| XC16S036-230 | TXV | 36600 | 15.5 | 12.5 | CH23-65 | SLP98UH090XV60C | 7621058 |
| XC16S036-230 | TXV | 36400 | 15.5 | 12.5 | CH23-65 | SLP98UH110XV60C | 7621059 |
| XC16S036-230 | TXV | 36200 | 15 | 12 | CH33-31B | EL296UH045XV36B | 7621061 |
| XC16S036-230 | TXV | 35600 | 15 | 12.2 | CH33-36 | EL296UH090XV36C | 7620903 |
| XC16S036-230 | TXV | 35400 | 15.5 | 12.2 | CH33-36 | EL296UH090XV48C | 7620905 |
| XC16S036-230 | TXV | 36000 | 15.5 | 12.2 | CH33-36 | EL296UH090XV60C | 7620906 |
| XC16S036-230 | TXV | 35800 | 15.5 | 12.2 | CH33-36 | EL296UH110XV60C | 7620935 |
| XC16S036-230 | TXV | 36000 | 15.1 | 12.2 | CH33-36 | SL280UH090V60C | 7620913 |
| XC16S036-230 | TXV | 36000 | 15.1 | 12.2 | CH33-36 | SL280UH090XV60C | 7620938 |
| XC16S036-230 | TXV | 35800 | 15 | 12 | CH33-36 | SL280UH110V60C | 7620914 |
| XC16S036-230 | TXV | 35800 | 15.1 | 12 | CH33-36 | SL280UH110XV60C | 7620973 |
| XC16S036-230 | TXV | 35600 | 15 | 12.2 | CH33-36 | SLP98UH090XV36C | 7620916 |
| XC16S036-230 | TXV | 35400 | 15 | 12.2 | CH33-36 | SLP98UH090XV48C | 7620918 |
| XC16S036-230 | TXV | 36000 | 15.5 | 12.2 | CH33-36 | SLP98UH090XV60C | 7620879 |
| XC16S036-230 | TXV | 35800 | 15.5 | 12.2 | CH33-36 | SLP98UH110XV60C | 7620881 |
| XC16S036-230 | TXV | 35400 | 15 | 11.7 | CH33-36A | EL180UH045E36A | 7620975 |
| XC16S036-230 | TXV | 34800 | 14.5 | 11.7 | CH33-36A | SL280UH070V36A | 7621817 |
| XC16S036-230 | TXV | 34800 | 14.5 | 11.7 | CH33-36A | SL280UH070XV36A | 7621819 |
| XC16S036-230 | TXV | 35400 | 15 | 11.7 | CH33-36B | EL180UH070XE36B | 7620977 |
| XC16S036-230 | TXV | 34600 | 14.5 | 11 | CH33-36B | EL195UH045XE36B | 7621063 |
| XC16S036-230 | TXV | 34800 | 14.5 | 11.7 | CH33-36B | EL195UH070XE36B | 7621064 |
| XC16S036-230 | TXV | 34600 | 14.5 | 11 | CH33-36B | EL296UH045XE36B | 7620979 |
| XC16S036-230 | TXV | 34800 | 15 | 11.7 | CH33-36B | EL296UH045XV36B | 7621066 |
| XC16S036-230 | TXV | 34800 | 14.5 | 11.7 | CH33-36B | EL296UH070XE36B | 7620980 |

Ratings AHRI Certified to AHRI Standard 210/240 (with 25 ft. of connecting refrigerant lines); 95°F outdoor air temperature, 80°F db / 67°F wb entering evaporator air.

All ratings include the use of a blower time delay relay (TDR). All Lennox variable-speed furnaces and Air Handlers have time delay capabilities. Other Furnaces and Air Handlers may require an optional time delay relay (58M81) for field installation. See furnace or air handler specifications to determine if relay is needed.

Also see Expansion Valve Kit Usage Table.

AHRI SYSTEM MATCHES - NORTH / SOUTH REGIONS

NOTE - For the latest up-to-date system matches please visit the AHRI web site at <http://www.ahridirectory.org>

| Model No. | Expansion Device | Capacity | SEER | EER | Coil or Air Handler | Furnace | AHRI Reference |
|--------------|------------------|----------|------|------|---------------------|-----------------|----------------|
| XC16S036-230 | TXV | 34800 | 15 | 11.7 | CH33-36B | EL296UH070XV36B | 7620902 |
| XC16S036-230 | TXV | 35000 | 15 | 12 | CH33-36B | SL280UH090V48B | 7620937 |
| XC16S036-230 | TXV | 35000 | 15 | 12 | CH33-36B | SL280UH090XV48B | 7620908 |
| XC16S036-230 | TXV | 34800 | 15 | 11.7 | CH33-36B | SLP98UH070XV36B | 7620910 |
| XC16S036-230 | TXV | 35600 | 15.5 | 12.2 | CH33-36C | EL296UH110XV48C | 7620911 |
| XC16S036-230 | TXV | 36000 | 15.5 | 12 | CH33-42B | EL180UH070E36B | 7620984 |
| XC16S036-230 | TXV | 35600 | 14.5 | 11.7 | CH33-42B | EL195UH045XE36B | 7620919 |
| XC16S036-230 | TXV | 35600 | 14.5 | 11.7 | CH33-42B | EL195UH070XE36B | 7620882 |
| XC16S036-230 | TXV | 35600 | 14.5 | 11.7 | CH33-42B | EL296UH045XE36B | 7620985 |
| XC16S036-230 | TXV | 35800 | 15 | 11.7 | CH33-42B | EL296UH045XV36B | 7620884 |
| XC16S036-230 | TXV | 35600 | 14.5 | 11.7 | CH33-42B | EL296UH070XE36B | 7620987 |
| XC16S036-230 | TXV | 35800 | 15 | 12 | CH33-42B | EL296UH070XV36B | 7620989 |
| XC16S036-230 | TXV | 36000 | 15.5 | 12.2 | CH33-42B | SL280UH090V36B | 7620885 |
| XC16S036-230 | TXV | 35800 | 15 | 12.2 | CH33-42B | SL280UH090V48B | 7620887 |
| XC16S036-230 | TXV | 36000 | 15 | 12.2 | CH33-42B | SL280UH090XV48B | 7620982 |
| XC16S036-230 | TXV | 35800 | 15 | 12 | CH33-42B | SLP98UH070XV36B | 7620889 |
| XC16S036-230 | TXV | 36800 | 15.5 | 12.5 | CH33-43 | EL296UH090XV36C | 7620943 |
| XC16S036-230 | TXV | 36600 | 16 | 12.5 | CH33-43 | EL296UH090XV48C | 7620945 |
| XC16S036-230 | TXV | 37200 | 16 | 12.5 | CH33-43 | EL296UH090XV60C | 7620946 |
| XC16S036-230 | TXV | 37200 | 16 | 12.5 | CH33-43 | EL296UH110XV60C | 7620948 |
| XC16S036-230 | TXV | 37200 | 15.1 | 12.5 | CH33-43 | SL280UH090V60C | 7620934 |
| XC16S036-230 | TXV | 37200 | 16 | 12.5 | CH33-43 | SL280UH090XV60C | 7621023 |
| XC16S036-230 | TXV | 37000 | 15.1 | 12.5 | CH33-43 | SL280UH110V60C | 7620958 |
| XC16S036-230 | TXV | 37000 | 15.1 | 12.5 | CH33-43 | SL280UH110XV60C | 7621025 |
| XC16S036-230 | TXV | 36800 | 15.5 | 12.5 | CH33-43 | SLP98UH090XV36C | 7620960 |
| XC16S036-230 | TXV | 37000 | 16 | 12.5 | CH33-43 | SLP98UH090XV48C | 7620961 |
| XC16S036-230 | TXV | 37200 | 16 | 12.5 | CH33-43 | SLP98UH090XV60C | 7620963 |
| XC16S036-230 | TXV | 37200 | 16 | 12.5 | CH33-43 | SLP98UH110XV60C | 7620965 |
| XC16S036-230 | TXV | 37200 | 16 | 12.5 | CH33-43B | EL180UH070E36B | 7621027 |
| XC16S036-230 | TXV | 37000 | 15 | 12 | CH33-43B | EL195UH045XE36B | 7620921 |
| XC16S036-230 | TXV | 37000 | 15 | 12.2 | CH33-43B | EL195UH070XE36B | 7620922 |
| XC16S036-230 | TXV | 37000 | 15 | 12 | CH33-43B | EL296UH045XE36B | 7621028 |
| XC16S036-230 | TXV | 37000 | 15.5 | 12.2 | CH33-43B | EL296UH045XV36B | 7620924 |
| XC16S036-230 | TXV | 37000 | 15 | 12.2 | CH33-43B | EL296UH070XE36B | 7620940 |
| XC16S036-230 | TXV | 37000 | 15.5 | 12.2 | CH33-43B | EL296UH070XV36B | 7620942 |
| XC16S036-230 | TXV | 37600 | 16 | 12.5 | CH33-43B | SL280UH090V36B | 7620925 |
| XC16S036-230 | TXV | 36000 | 16 | 12.5 | CH33-43B | SL280UH090V48B | 7620927 |
| XC16S036-230 | TXV | 36000 | 16 | 12.5 | CH33-43B | SL280UH090XV48B | 7620950 |
| XC16S036-230 | TXV | 37000 | 15.5 | 12.2 | CH33-43B | SLP98UH070XV36B | 7620929 |
| XC16S036-230 | TXV | 36800 | 14 | 11.7 | CH33-43B | | 7620890 |
| XC16S036-230 | TXV | 36800 | 16 | 12.5 | CH33-43C | EL296UH110XV48C | 7620932 |
| XC16S036-230 | TXV | 36200 | 14 | 11.7 | CH33-43C | | 7620930 |
| XC16S036-230 | TXV | 36000 | 14 | 11 | CH33-44/48 | | 7620967 |
| XC16S036-230 | TXV | 36400 | 15.5 | 12.2 | CH33-44/48B | EL180UH070E36B | 7621032 |
| XC16S036-230 | TXV | 36400 | 15.5 | 12.2 | CH33-44/48B | EL180UH070XE36B | 7621035 |
| XC16S036-230 | TXV | 36200 | 14.5 | 11.7 | CH33-44/48B | EL195UH045XE36B | 7620968 |
| XC16S036-230 | TXV | 36200 | 15 | 11.7 | CH33-44/48B | EL195UH070XE36B | 7620970 |
| XC16S036-230 | TXV | 36200 | 14.5 | 11.7 | CH33-44/48B | EL296UH045XE36B | 7621034 |
| XC16S036-230 | TXV | 36200 | 15 | 12 | CH33-44/48B | EL296UH045XV36B | 7620972 |
| XC16S036-230 | TXV | 36200 | 15.5 | 12 | CH33-44/48B | EL296UH070XV36B | 7621037 |
| XC16S036-230 | TXV | 36800 | 15.5 | 12.5 | CH33-44/48B | SL280UH090V36B | 7621008 |

Ratings AHRI Certified to AHRI Standard 210/240 (with 25 ft. of connecting refrigerant lines); 95°F outdoor air temperature, 80°F db / 67°F wb entering evaporator air.

All ratings include the use of a blower time delay relay (TDR). All Lennox variable-speed furnaces and Air Handlers have time delay capabilities. Other Furnaces and Air Handlers may require an optional time delay relay (**58M81**) for field installation. See furnace or air handler specifications to determine if relay is needed.

Also see Expansion Valve Kit Usage Table.

AHRI SYSTEM MATCHES - NORTH / SOUTH REGIONS

NOTE - For the latest up-to-date system matches please visit the AHRI web site at <http://www.ahridirectory.org>

| Model No. | Expansion Device | Capacity | SEER | EER | Coil or Air Handler | Furnace | AHRI Reference |
|--------------|------------------|----------|------|------|---------------------|-----------------|----------------|
| XC16S036-230 | TXV | 36400 | 15 | 12.2 | CH33-44/48B | SL280UH090V48B | 7621009 |
| XC16S036-230 | TXV | 36400 | 15.5 | 12.2 | CH33-44/48B | SL280UH090XV48B | 7621030 |
| XC16S036-230 | TXV | 36400 | 15.5 | 12.2 | CH33-44/48B | SLP98UH070XV36B | 7620951 |
| XC16S036-230 | TXV | 36600 | 15.5 | 12.5 | CH33-48 | EL296UH090XV36C | 7621143 |
| XC16S036-230 | TXV | 36400 | 15.5 | 12.5 | CH33-48 | EL296UH090XV48C | 7621144 |
| XC16S036-230 | TXV | 37000 | 16 | 12.5 | CH33-48 | EL296UH090XV60C | 7621146 |
| XC16S036-230 | TXV | 36800 | 16 | 12.5 | CH33-48 | EL296UH110XV60C | 7621148 |
| XC16S036-230 | TXV | 37000 | 15.1 | 12.5 | CH33-48 | SL280UH090V60C | 7621011 |
| XC16S036-230 | TXV | 37000 | 15.1 | 12.5 | CH33-48 | SL280UH090XV60C | 7621141 |
| XC16S036-230 | TXV | 36800 | 15.1 | 12.2 | CH33-48 | SL280UH110V60C | 7621013 |
| XC16S036-230 | TXV | 36800 | 15.1 | 12.5 | CH33-48 | SL280UH110XV60C | 7621039 |
| XC16S036-230 | TXV | 36600 | 15.5 | 12.5 | CH33-48 | SLP98UH090XV36C | 7621015 |
| XC16S036-230 | TXV | 36800 | 16 | 12.5 | CH33-48 | SLP98UH090XV48C | 7621016 |
| XC16S036-230 | TXV | 37000 | 15.5 | 12.5 | CH33-48 | SLP98UH090XV60C | 7621018 |
| XC16S036-230 | TXV | 36800 | 15.5 | 12.5 | CH33-48 | SLP98UH110XV60C | 7621020 |
| XC16S036-230 | TXV | 36000 | 14 | 11 | CH33-48 | | 7620953 |
| XC16S036-230 | TXV | 36600 | 16 | 12.5 | CH33-48C | EL296UH110XV48C | 7620955 |
| XC16S036-230 | TXV | 37000 | 16 | 12.5 | CH33-50/60C | EL296UH110XV48C | 7621021 |
| XC16S036-230 | TXV | 36000 | 15.1 | 12 | CH35-30B | EL296UH045XV36B | 7623750 |
| XC16S036-230 | TXV | 35000 | 14.5 | 11.5 | CH35-36A | EL180UH045E36A | 7623544 |
| XC16S036-230 | TXV | 34800 | 14.5 | 11.5 | CH35-36A | SL280UH070V36A | 7623663 |
| XC16S036-230 | TXV | 34800 | 14.5 | 11.5 | CH35-36A | SL280UH070XV36A | 7623546 |
| XC16S036-230 | TXV | 35200 | 15.1 | 11.5 | CH35-36B | EL180UH070XE36B | 7623547 |
| XC16S036-230 | TXV | 34800 | 14.5 | 11.5 | CH35-36B | EL195UH045XE36B | 7623549 |
| XC16S036-230 | TXV | 34800 | 14.5 | 11.5 | CH35-36B | EL195UH070XE36B | 7623551 |
| XC16S036-230 | TXV | 34800 | 14.5 | 11 | CH35-36B | EL296UH045XE36B | 7623554 |
| XC16S036-230 | TXV | 35000 | 15.1 | 11.5 | CH35-36B | EL296UH045XV36B | 7623552 |
| XC16S036-230 | TXV | 34800 | 14.5 | 11.5 | CH35-36B | EL296UH070XE36B | 7623556 |
| XC16S036-230 | TXV | 35000 | 15 | 11.5 | CH35-36B | EL296UH070XV36B | 7623557 |
| XC16S036-230 | TXV | 35400 | 15.1 | 12 | CH35-36B | SL280UH090V36B | 7623665 |
| XC16S036-230 | TXV | 35200 | 15 | 12.2 | CH35-36B | SL280UH090V48B | 7623752 |
| XC16S036-230 | TXV | 35200 | 15.1 | 12.2 | CH35-36B | SL280UH090XV48B | 7623559 |
| XC16S036-230 | TXV | 35000 | 15 | 11.5 | CH35-36B | SLP98UH070XV36B | 7623667 |
| XC16S036-230 | TXV | 35600 | 15.1 | 12.2 | CH35-36C | EL296UH090XV36C | 7623560 |
| XC16S036-230 | TXV | 35400 | 15.5 | 12.2 | CH35-36C | EL296UH090XV48C | 7623562 |
| XC16S036-230 | TXV | 36000 | 15.5 | 12.2 | CH35-36C | EL296UH090XV60C | 7623564 |
| XC16S036-230 | TXV | 35600 | 15.5 | 12.2 | CH35-36C | EL296UH110XV48C | 7623565 |
| XC16S036-230 | TXV | 35800 | 15.5 | 12.2 | CH35-36C | EL296UH110XV60C | 7623567 |
| XC16S036-230 | TXV | 36000 | 15.1 | 12.2 | CH35-36C | SL280UH090V60C | 7623668 |
| XC16S036-230 | TXV | 36000 | 15.1 | 12.2 | CH35-36C | SL280UH090XV60C | 7623569 |
| XC16S036-230 | TXV | 35800 | 15.1 | 12.2 | CH35-36C | SL280UH110V60C | 7623570 |
| XC16S036-230 | TXV | 35800 | 15.1 | 12.2 | CH35-36C | SL280UH110XV60C | 7623572 |
| XC16S036-230 | TXV | 35600 | 15.1 | 12.2 | CH35-36C | SLP98UH090XV36C | 7623670 |
| XC16S036-230 | TXV | 35400 | 15.1 | 12.2 | CH35-36C | SLP98UH090XV48C | 7623672 |
| XC16S036-230 | TXV | 35800 | 15.5 | 12.2 | CH35-36C | SLP98UH090XV60C | 7623674 |
| XC16S036-230 | TXV | 36000 | 15.5 | 12.2 | CH35-36C | SLP98UH110XV60C | 7623675 |
| XC16S036-230 | TXV | 36000 | 16 | 12.5 | CH35-42B | EL180UH070E36B | 7623575 |
| XC16S036-230 | TXV | 36000 | 15.1 | 12 | CH35-42B | EL195UH045XE36B | 7623577 |
| XC16S036-230 | TXV | 36000 | 15.1 | 12.2 | CH35-42B | EL195UH070XE36B | 7623578 |
| XC16S036-230 | TXV | 36000 | 15.1 | 12 | CH35-42B | EL296UH045XE36B | 7623582 |
| XC16S036-230 | TXV | 36000 | 15.5 | 12.2 | CH35-42B | EL296UH045XV36B | 7623580 |

Ratings AHRI Certified to AHRI Standard 210/240 (with 25 ft. of connecting refrigerant lines); 95°F outdoor air temperature, 80°F db / 67°F wb entering evaporator air.

All ratings include the use of a blower time delay relay (TDR). All Lennox variable-speed furnaces and Air Handlers have time delay capabilities. Other Furnaces and Air Handlers may require an optional time delay relay (58M81) for field installation. See furnace or air handler specifications to determine if relay is needed.

Also see Expansion Valve Kit Usage Table.

AHRI SYSTEM MATCHES - NORTH / SOUTH REGIONS

NOTE - For the latest up-to-date system matches please visit the AHRI web site at <http://www.ahridirectory.org>

| Model No. | Expansion Device | Capacity | SEER | EER | Coil or Air Handler | Furnace | AHRI Reference |
|--------------|------------------|----------|-------|------|---------------------|-----------------|----------------|
| XC16S036-230 | TXV | 36000 | 15.1 | 12.2 | CH35-42B | EL296UH070XE36B | 7623583 |
| XC16S036-230 | TXV | 36000 | 15.5 | 12.2 | CH35-42B | EL296UH070XV36B | 7623585 |
| XC16S036-230 | TXV | 36000 | 16 | 12.5 | CH35-42B | SL280UH090V36B | 7623677 |
| XC16S036-230 | TXV | 36000 | 15.5 | 12.5 | CH35-42B | SL280UH090V48B | 7623679 |
| XC16S036-230 | TXV | 36000 | 15.5 | 12.5 | CH35-42B | SL280UH090XV48B | 7623587 |
| XC16S036-230 | TXV | 36000 | 15.5 | 12.2 | CH35-42B | SLP98UH070XV36B | 7623680 |
| XC16S036-230 | TXV | 36000 | 14.25 | 11.5 | CH35-42B | | 7623574 |
| XC16S036-230 | TXV | 36000 | 15.5 | 12.5 | CH35-42C | EL296UH090XV36C | 7623590 |
| XC16S036-230 | TXV | 36000 | 16 | 12.5 | CH35-42C | EL296UH090XV48C | 7623592 |
| XC16S036-230 | TXV | 36000 | 16 | 12.5 | CH35-42C | EL296UH090XV60C | 7623593 |
| XC16S036-230 | TXV | 36000 | 16 | 12.5 | CH35-42C | EL296UH110XV48C | 7623595 |
| XC16S036-230 | TXV | 36000 | 16 | 12.5 | CH35-42C | EL296UH110XV60C | 7623597 |
| XC16S036-230 | TXV | 36000 | 16 | 12.5 | CH35-42C | SL280UH090V60C | 7623682 |
| XC16S036-230 | TXV | 36000 | 16 | 12.5 | CH35-42C | SL280UH090XV60C | 7623599 |
| XC16S036-230 | TXV | 36000 | 15.1 | 12.5 | CH35-42C | SL280UH110V60C | 7623600 |
| XC16S036-230 | TXV | 36000 | 15.1 | 12.5 | CH35-42C | SL280UH110XV60C | 7623602 |
| XC16S036-230 | TXV | 36000 | 15.5 | 12.5 | CH35-42C | SLP98UH090XV36C | 7623684 |
| XC16S036-230 | TXV | 36000 | 16 | 12.5 | CH35-42C | SLP98UH090XV48C | 7623685 |
| XC16S036-230 | TXV | 36000 | 16 | 12.5 | CH35-42C | SLP98UH090XV60C | 7623687 |
| XC16S036-230 | TXV | 36000 | 16 | 12.5 | CH35-42C | SLP98UH110XV60C | 7623689 |
| XC16S036-230 | TXV | 36000 | 14.25 | 11.5 | CH35-42C | | 7623588 |
| XC16S036-230 | TXV | 36000 | 15.5 | 12.2 | CH35-48B | EL180UH070E36B | 7623606 |
| XC16S036-230 | TXV | 36000 | 15 | 11.5 | CH35-48B | EL195UH045XE36B | 7623607 |
| XC16S036-230 | TXV | 36000 | 15 | 12 | CH35-48B | EL195UH070XE36B | 7623609 |
| XC16S036-230 | TXV | 36000 | 15 | 11.5 | CH35-48B | EL296UH045XE36B | 7623613 |
| XC16S036-230 | TXV | 36000 | 15.5 | 12 | CH35-48B | EL296UH045XV36B | 7623611 |
| XC16S036-230 | TXV | 36000 | 15 | 12 | CH35-48B | EL296UH070XE36B | 7623614 |
| XC16S036-230 | TXV | 36000 | 15.5 | 12.2 | CH35-48B | EL296UH070XV36B | 7623616 |
| XC16S036-230 | TXV | 36000 | 15.5 | 12.5 | CH35-48B | SL280UH090V36B | 7623690 |
| XC16S036-230 | TXV | 36000 | 15.1 | 12.5 | CH35-48B | SL280UH090V48B | 7623692 |
| XC16S036-230 | TXV | 36000 | 15.5 | 12.5 | CH35-48B | SL280UH090XV48B | 7623618 |
| XC16S036-230 | TXV | 36000 | 15.5 | 12.2 | CH35-48B | SLP98UH070XV36B | 7623693 |
| XC16S036-230 | TXV | 36000 | 14 | 11.5 | CH35-48B | | 7623604 |
| XC16S036-230 | TXV | 36000 | 15.5 | 12.5 | CH35-48C | EL296UH090XV36C | 7623621 |
| XC16S036-230 | TXV | 36000 | 16 | 12.5 | CH35-48C | EL296UH090XV48C | 7623623 |
| XC16S036-230 | TXV | 36000 | 16 | 12.5 | CH35-48C | EL296UH090XV60C | 7623625 |
| XC16S036-230 | TXV | 36000 | 16 | 12.5 | CH35-48C | EL296UH110XV48C | 7623627 |
| XC16S036-230 | TXV | 36000 | 16 | 12.5 | CH35-48C | EL296UH110XV60C | 7623628 |
| XC16S036-230 | TXV | 36000 | 16 | 12.5 | CH35-48C | SL280UH090V60C | 7623695 |
| XC16S036-230 | TXV | 36000 | 16 | 12.5 | CH35-48C | SL280UH090XV60C | 7623630 |
| XC16S036-230 | TXV | 36000 | 15.1 | 12.5 | CH35-48C | SL280UH110V60C | 7623632 |
| XC16S036-230 | TXV | 36000 | 15.1 | 12.5 | CH35-48C | SL280UH110XV60C | 7623634 |
| XC16S036-230 | TXV | 36000 | 15.5 | 12.5 | CH35-48C | SLP98UH090XV36C | 7623639 |
| XC16S036-230 | TXV | 36000 | 16 | 12.5 | CH35-48C | SLP98UH090XV48C | 7623641 |
| XC16S036-230 | TXV | 36000 | 16 | 12.5 | CH35-48C | SLP98UH090XV60C | 7623642 |
| XC16S036-230 | TXV | 36000 | 16 | 12.5 | CH35-48C | SLP98UH110XV60C | 7623644 |
| XC16S036-230 | TXV | 36000 | 14 | 11.5 | CH35-48C | | 7623620 |
| XC16S036-230 | TXV | 36000 | 16 | 12.5 | CH35-51C | EL296UH110XV48C | 9977273 |
| XC16S036-230 | TXV | 36000 | 14.25 | 11.5 | CH35-51C | | 7623635 |
| XC16S036-230 | TXV | 35600 | 15 | 11.7 | CR33-30/36 | EL180DF070E36B | 7621172 |
| XC16S036-230 | TXV | 35200 | 14.5 | 11 | CR33-30/36 | EL195DF045XE36B | 7621069 |

Ratings AHRI Certified to AHRI Standard 210/240 (with 25 ft. of connecting refrigerant lines); 95°F outdoor air temperature, 80°F db / 67°F wb entering evaporator air.

All ratings include the use of a blower time delay relay (TDR). All Lennox variable-speed furnaces and Air Handlers have time delay capabilities. Other Furnaces and Air Handlers may require an optional time delay relay (**58M81**) for field installation. See furnace or air handler specifications to determine if relay is needed.

Also see Expansion Valve Kit Usage Table.

AHRI SYSTEM MATCHES - NORTH / SOUTH REGIONS

NOTE - For the latest up-to-date system matches please visit the AHRI web site at <http://www.ahridirectory.org>

| Model No. | Expansion Device | Capacity | SEER | EER | Coil or Air Handler | Furnace | AHRI Reference |
|--------------|------------------|----------|------|------|---------------------|-----------------|----------------|
| XC16S036-230 | TXV | 35200 | 14.5 | 11 | CR33-30/36 | EL296DF045XE36B | 7621170 |
| XC16S036-230 | TXV | 35400 | 15.5 | 12 | CR33-30/36 | EL296DF045XV36B | 7625419 |
| XC16S036-230 | TXV | 35600 | 15 | 12 | CR33-30/36 | EL296DF070XV48B | 7625410 |
| XC16S036-230 | TXV | 35600 | 15 | 12 | CR33-30/36 | EL296DF090XV60C | 7621169 |
| XC16S036-230 | TXV | 35600 | 15 | 12 | CR33-30/36 | EL296DF110XV60C | 7621167 |
| XC16S036-230 | TXV | 35400 | 15 | 11.7 | CR33-30/36 | SL280DF070V36A | 7621068 |
| XC16S036-230 | TXV | 35600 | 15 | 12 | CR33-30/36 | SL280DF090V48B | 7621074 |
| XC16S036-230 | TXV | 36000 | 15.1 | 12.2 | CR33-30/36 | SL280DF090V60C | 7621071 |
| XC16S036-230 | TXV | 35600 | 15.1 | 12.2 | CR33-30/36 | SL280DF110V60C | 7621072 |
| XC16S036-230 | TXV | 35200 | 15 | 12 | CR33-30/36 | SLP98DF070XV36B | 7621156 |
| XC16S036-230 | TXV | 35400 | 15 | 12 | CR33-30/36 | SLP98DF090XV36C | 7621154 |
| XC16S036-230 | TXV | 35400 | 15 | 12 | CR33-30/36 | SLP98DF090XV48C | 7621152 |
| XC16S036-230 | TXV | 35600 | 15 | 12 | CR33-30/36 | SLP98DF090XV60C | 7621151 |
| XC16S036-230 | TXV | 35600 | 15 | 12 | CR33-30/36 | SLP98DF110XV60C | 7621149 |
| XC16S036-230 | TXV | 36200 | 15 | 12 | CR33-48 | EL180DF070E36B | 7621182 |
| XC16S036-230 | TXV | 36000 | 15 | 11.7 | CR33-48 | EL195DF045XE36B | 7621085 |
| XC16S036-230 | TXV | 36000 | 15 | 12.2 | CR33-48 | EL195DF070XE48B | 7621087 |
| XC16S036-230 | TXV | 35800 | 14.5 | 11.7 | CR33-48 | EL296DF045XE36B | 7621183 |
| XC16S036-230 | TXV | 35800 | 14.5 | 12.2 | CR33-48 | EL296DF070XE48B | 7621185 |
| XC16S036-230 | TXV | 36000 | 15 | 12 | CR33-48 | EL296DF070XV48B | 7625409 |
| XC16S036-230 | TXV | 36200 | 15.5 | 12.2 | CR33-48 | EL296DF090XV60C | 7621187 |
| XC16S036-230 | TXV | 36200 | 15.5 | 12.2 | CR33-48 | EL296DF110XV60C | 7621188 |
| XC16S036-230 | TXV | 36600 | 15.1 | 12.5 | CR33-48 | SL280DF090V60C | 7621089 |
| XC16S036-230 | TXV | 36200 | 15.1 | 12.5 | CR33-48 | SL280DF110V60C | 7621090 |
| XC16S036-230 | TXV | 35800 | 15.5 | 12.2 | CR33-48 | SLP98DF070XV36B | 7621180 |
| XC16S036-230 | TXV | 36000 | 15.5 | 12.2 | CR33-48 | SLP98DF090XV36C | 7621178 |
| XC16S036-230 | TXV | 36000 | 15.5 | 12.2 | CR33-48 | SLP98DF090XV48C | 7621177 |
| XC16S036-230 | TXV | 36200 | 15.5 | 12.2 | CR33-48 | SLP98DF090XV60C | 7621175 |
| XC16S036-230 | TXV | 36200 | 15.5 | 12.2 | CR33-48 | SLP98DF110XV60C | 7621174 |
| XC16S036-230 | TXV | 35800 | 15.5 | 12 | CR33-48B | EL296DF045XV36B | 7625418 |
| XC16S036-230 | TXV | 36200 | 15.5 | 12.2 | CR33-48B | SL280DF090V48B | 7620956 |
| XC16S036-230 | TXV | 35000 | 14.5 | 11.7 | CX35-30/36A | EL180UH045E36A | 8256024 |
| XC16S036-230 | TXV | 35000 | 15 | 11.7 | CX35-30/36A | SL280UH070V36A | 8256029 |
| XC16S036-230 | TXV | 35000 | 15 | 11.7 | CX35-30/36A | SL280UH070XV36A | 8256022 |
| XC16S036-230 | TXV | 35000 | 15 | 11.7 | CX35-30/36B | EL180UH070E36B | 8256035 |
| XC16S036-230 | TXV | 34800 | 14.5 | 11 | CX35-30/36B | EL195UH045XE36B | 8256039 |
| XC16S036-230 | TXV | 34800 | 14.5 | 11.7 | CX35-30/36B | EL195UH070XE36B | 8256038 |
| XC16S036-230 | TXV | 34800 | 14.5 | 11 | CX35-30/36B | EL296UH045XE36B | 8256036 |
| XC16S036-230 | TXV | 34800 | 15 | 11.7 | CX35-30/36B | EL296UH045XV36B | 8256043 |
| XC16S036-230 | TXV | 34800 | 14.5 | 11.7 | CX35-30/36B | EL296UH070XE36B | 8256037 |
| XC16S036-230 | TXV | 35000 | 15 | 11.7 | CX35-30/36B | EL296UH070XV36B | 8256033 |
| XC16S036-230 | TXV | 35200 | 15 | 12 | CX35-30/36B | SL280UH090V36B | 8256041 |
| XC16S036-230 | TXV | 35000 | 15 | 12 | CX35-30/36B | SL280UH090V48B | 8256042 |
| XC16S036-230 | TXV | 35200 | 15 | 12.2 | CX35-30/36B | SL280UH090XV48B | 8256034 |
| XC16S036-230 | TXV | 35000 | 15 | 11.7 | CX35-30/36B | SLP98UH070XV36B | 8256040 |
| XC16S036-230 | TXV | 34800 | 15 | 12 | CX35-30/36C | CBWMV-36C-090 | 8256023 |
| XC16S036-230 | TXV | 35000 | 15 | 12 | CX35-30/36C | EL195UH090XE48C | 8256016 |
| XC16S036-230 | TXV | 35000 | 15 | 12 | CX35-30/36C | EL296UH090XV36C | 8256019 |
| XC16S036-230 | TXV | 34800 | 15 | 12 | CX35-30/36C | EL296UH090XV48C | 8256021 |
| XC16S036-230 | TXV | 35000 | 15 | 12.2 | CX35-30/36C | EL296UH110XV48C | 8256032 |
| XC16S036-230 | TXV | 35400 | 15 | 12.2 | CX35-30/36C | EL296UH110XV60C | 8256020 |

Ratings AHRI Certified to AHRI Standard 210/240 (with 25 ft. of connecting refrigerant lines); 95°F outdoor air temperature, 80°F db / 67°F wb entering evaporator air.

All ratings include the use of a blower time delay relay (TDR). All Lennox variable-speed furnaces and Air Handlers have time delay capabilities. Other Furnaces and Air Handlers may require an optional time delay relay (58M81) for field installation. See furnace or air handler specifications to determine if relay is needed.

Also see Expansion Valve Kit Usage Table.

AHRI SYSTEM MATCHES - NORTH / SOUTH REGIONS

NOTE - For the latest up-to-date system matches please visit the AHRI web site at <http://www.ahridirectory.org>

| Model No. | Expansion Device | Capacity | SEER | EER | Coil or Air Handler | Furnace | AHRI Reference |
|--------------|------------------|----------|------|------|---------------------|-----------------|----------------|
| XC16S036-230 | TXV | 35400 | 15 | 12 | CX35-30/36C | SL280UH090V60C | 8256031 |
| XC16S036-230 | TXV | 35400 | 15.1 | 12 | CX35-30/36C | SL280UH090XV60C | 8256017 |
| XC16S036-230 | TXV | 35200 | 15 | 12 | CX35-30/36C | SL280UH110V60C | 8256030 |
| XC16S036-230 | TXV | 35400 | 15 | 12 | CX35-30/36C | SL280UH110XV60C | 8256018 |
| XC16S036-230 | TXV | 35000 | 15 | 12 | CX35-30/36C | SLP98UH090XV36C | 8256027 |
| XC16S036-230 | TXV | 35200 | 15 | 12 | CX35-30/36C | SLP98UH090XV48C | 8256028 |
| XC16S036-230 | TXV | 35600 | 15 | 12 | CX35-30/36C | SLP98UH090XV60C | 8256025 |
| XC16S036-230 | TXV | 35400 | 15 | 12.2 | CX35-30/36C | SLP98UH110XV60C | 8256026 |
| XC16S036-230 | TXV | 36400 | 15.5 | 12.2 | CX35-36A | EL180UH045XE36A | 8256046 |
| XC16S036-230 | TXV | 36400 | 15.5 | 12.2 | CX35-36A | SL280UH070V36A | 8256047 |
| XC16S036-230 | TXV | 36400 | 15.5 | 12.2 | CX35-36A | SL280UH070XV36A | 8256045 |
| XC16S036-230 | TXV | 36400 | 15.5 | 12.2 | CX35-36B | EL180UH070E36B | 10090929 |
| XC16S036-230 | TXV | 36400 | 15.5 | 12.2 | CX35-36B | EL180UH070XE36B | 8256051 |
| XC16S036-230 | TXV | 36200 | 15 | 11.7 | CX35-36B | EL195UH045XE36B | 8256058 |
| XC16S036-230 | TXV | 36200 | 15.5 | 12.2 | CX35-36B | EL195UH070XE36B | 8256055 |
| XC16S036-230 | TXV | 36000 | 15 | 11.7 | CX35-36B | EL296UH045XE36B | 8256052 |
| XC16S036-230 | TXV | 36200 | 15.5 | 12.2 | CX35-36B | EL296UH045XV36B | 8256056 |
| XC16S036-230 | TXV | 36200 | 15.5 | 12.2 | CX35-36B | EL296UH070XE36B | 8256048 |
| XC16S036-230 | TXV | 36400 | 15.5 | 12.2 | CX35-36B | EL296UH070XV36B | 8256050 |
| XC16S036-230 | TXV | 36600 | 15.5 | 12.5 | CX35-36B | SL280UH090V36B | 8256057 |
| XC16S036-230 | TXV | 36600 | 15.5 | 12.5 | CX35-36B | SL280UH090V48B | 8256053 |
| XC16S036-230 | TXV | 36600 | 15.5 | 12.5 | CX35-36B | SL280UH090XV48B | 8256049 |
| XC16S036-230 | TXV | 36400 | 15.5 | 12.2 | CX35-36B | SLP98UH070XV36B | 8256054 |
| XC16S036-230 | TXV | 35800 | 14 | 11 | CX35-36B | | 8256044 |
| XC16S036-230 | TXV | 36600 | 15.5 | 12.2 | CX35-48B | EL180UH070E36B | 8256077 |
| XC16S036-230 | TXV | 36400 | 15 | 11.7 | CX35-48B | EL195UH045XE36B | 8256084 |
| XC16S036-230 | TXV | 36400 | 15.5 | 12.2 | CX35-48B | EL195UH070XE36B | 8256085 |
| XC16S036-230 | TXV | 36400 | 15 | 11.7 | CX35-48B | EL296UH045XE36B | 8256075 |
| XC16S036-230 | TXV | 36600 | 15.5 | 12.2 | CX35-48B | EL296UH045XV36B | 8256082 |
| XC16S036-230 | TXV | 36400 | 15.5 | 12.2 | CX35-48B | EL296UH070XE36B | 8256079 |
| XC16S036-230 | TXV | 36600 | 15.5 | 12.2 | CX35-48B | EL296UH070XV36B | 8256076 |
| XC16S036-230 | TXV | 37000 | 16 | 12.5 | CX35-48B | SL280UH090V36B | 8256083 |
| XC16S036-230 | TXV | 36000 | 16 | 12.5 | CX35-48B | SL280UH090V48B | 8256080 |
| XC16S036-230 | TXV | 36000 | 16 | 12.5 | CX35-48B | SL280UH090XV48B | 8256078 |
| XC16S036-230 | TXV | 36600 | 15.5 | 12.2 | CX35-48B | SLP98UH070XV36B | 8256081 |
| XC16S036-230 | TXV | 36600 | 15.5 | 12.5 | CX35-48C | CBWMV-36C-090 | 8256066 |
| XC16S036-230 | TXV | 37000 | 16 | 12.5 | CX35-48C | CBWMV-60C-100 | 8256065 |
| XC16S036-230 | TXV | 36600 | 15.5 | 12.5 | CX35-48C | EL296UH090XV36C | 8256061 |
| XC16S036-230 | TXV | 36400 | 15.5 | 12.5 | CX35-48C | EL296UH090XV48C | 8256062 |
| XC16S036-230 | TXV | 37200 | 16 | 12.5 | CX35-48C | EL296UH090XV60C | 8256063 |
| XC16S036-230 | TXV | 36600 | 16 | 12.5 | CX35-48C | EL296UH110XV48C | 8256074 |
| XC16S036-230 | TXV | 37000 | 16 | 12.5 | CX35-48C | EL296UH110XV60C | 8256064 |
| XC16S036-230 | TXV | 37000 | 15.1 | 12.5 | CX35-48C | SL280UH090V60C | 8256060 |
| XC16S036-230 | TXV | 37000 | 15.1 | 12.5 | CX35-48C | SL280UH090XV60C | 8256067 |
| XC16S036-230 | TXV | 36800 | 15.1 | 12.5 | CX35-48C | SL280UH110V60C | 8256071 |
| XC16S036-230 | TXV | 37000 | 15.1 | 12.5 | CX35-48C | SL280UH110XV60C | 8256068 |
| XC16S036-230 | TXV | 36800 | 15.5 | 12.5 | CX35-48C | SLP98UH090XV36C | 8256072 |
| XC16S036-230 | TXV | 36800 | 16 | 12.5 | CX35-48C | SLP98UH090XV48C | 8256073 |
| XC16S036-230 | TXV | 37200 | 16 | 12.5 | CX35-48C | SLP98UH090XV60C | 8256069 |
| XC16S036-230 | TXV | 37000 | 15.5 | 12.5 | CX35-48C | SLP98UH110XV60C | 8256070 |
| XC16S036-230 | TXV | 36200 | 14 | 11.7 | CX35-48C | | 8256059 |

Ratings AHRI Certified to AHRI Standard 210/240 (with 25 ft. of connecting refrigerant lines); 95°F outdoor air temperature, 80°F db / 67°F wb entering evaporator air.

All ratings include the use of a blower time delay relay (TDR). All Lennox variable-speed furnaces and Air Handlers have time delay capabilities. Other Furnaces and Air Handlers may require an optional time delay relay (**58M81**) for field installation. See furnace or air handler specifications to determine if relay is needed.

Also see Expansion Valve Kit Usage Table.

AHRI SYSTEM MATCHES - NORTH / SOUTH REGIONS

NOTE - For the latest up-to-date system matches please visit the AHRI web site at <http://www.ahridirectory.org>

| Model No. | Expansion Device | Capacity | SEER | EER | Coil or Air Handler | Furnace | AHRI Reference |
|--------------|------------------|----------|------|------|---------------------|--------------------|----------------|
| XC16S036-230 | TXV | 37000 | 15.5 | 12.5 | CX35-49C | EL296UH090XV36C | 8256089 |
| XC16S036-230 | TXV | 36800 | 16 | 12.5 | CX35-49C | EL296UH090XV48C | 8256092 |
| XC16S036-230 | TXV | 37600 | 16 | 12.5 | CX35-49C | EL296UH090XV60C | 8256090 |
| XC16S036-230 | TXV | 37400 | 16 | 12.5 | CX35-49C | EL296UH110XV60C | 8256088 |
| XC16S036-230 | TXV | 37600 | 16 | 12.5 | CX35-49C | SL280UH090V60C | 8256098 |
| XC16S036-230 | TXV | 37600 | 16 | 12.5 | CX35-49C | SL280UH090XV60C | 8256087 |
| XC16S036-230 | TXV | 37200 | 15.1 | 12.5 | CX35-49C | SL280UH110V60C | 8256095 |
| XC16S036-230 | TXV | 37400 | 15.1 | 12.5 | CX35-49C | SL280UH110XV60C | 8256091 |
| XC16S036-230 | TXV | 37000 | 16 | 12.5 | CX35-49C | SLP98UH090XV36C | 8256096 |
| XC16S036-230 | TXV | 37400 | 16 | 12.5 | CX35-49C | SLP98UH090XV48C | 8256097 |
| XC16S036-230 | TXV | 37600 | 16 | 12.5 | CX35-49C | SLP98UH090XV60C | 8256093 |
| XC16S036-230 | TXV | 37400 | 16 | 12.5 | CX35-49C | SLP98UH110XV60C | 8256094 |
| XC16S036-230 | TXV | 36400 | 14 | 11.7 | CX35-49C | | 8256086 |
| XC16S036-230 | TXV | 36400 | 16 | 12.5 | CX35-50/60C | EL296UH110XV48C | 8256099 |
| XC16S036-230 | TXV | 37000 | 15.1 | 12.5 | CX38-43C | SL280UH090V60C | 10559281 |
| XC16S048-230 | TXV | 46000 | 15.5 | 11.7 | C35-48B | EL180UH090E48B | 8309746 |
| XC16S048-230 | TXV | 46000 | 15.5 | 12 | C35-48B | EL180UH090E60C | 8309560 |
| XC16S048-230 | TXV | 45500 | 15.5 | 12 | C35-48B | EL180UH110E60C | 8309561 |
| XC16S048-230 | TXV | 45500 | 15 | 11.7 | C35-48B | SL280UH090V48B | 9150396 |
| XC16S048-230 | TXV | 45500 | 14 | 11 | C35-48B | | 8309562 |
| XC16S048-230 | TXV | 45500 | 15.5 | 11.7 | C35-48C | EL180UH090E60C | 8309571 |
| XC16S048-230 | TXV | 46500 | 15 | 11.7 | C35-48C | EL180UH110E60C | 8309572 |
| XC16S048-230 | TXV | 45500 | 15 | 11.7 | C35-48C | EL195UH090XE48C | 8309563 |
| XC16S048-230 | TXV | 46500 | 15 | 11.7 | C35-48C | EL195UH110XE60C | 8309564 |
| XC16S048-230 | TXV | 46000 | 15.5 | 11.7 | C35-48C | EL296UH090XE48C | 8309567 |
| XC16S048-230 | TXV | 46000 | 15.5 | 11.7 | C35-48C | EL296UH090XV48C | 8309565 |
| XC16S048-230 | TXV | 46000 | 15 | 11.7 | C35-48C | EL296UH090XV60C | 8309566 |
| XC16S048-230 | TXV | 46000 | 15.5 | 12 | C35-48C | EL296UH110XE60C | 8309570 |
| XC16S048-230 | TXV | 46000 | 15.5 | 11.7 | C35-48C | EL296UH110XV48C | 8309568 |
| XC16S048-230 | TXV | 46000 | 15.5 | 11.7 | C35-48C | EL296UH110XV60C | 8309569 |
| XC16S048-230 | TXV | 46000 | 15.5 | 11.7 | C35-48C | SL280UH090V60C | 8309573 |
| XC16S048-230 | TXV | 46000 | 15.5 | 11.7 | C35-48C | SL280UH090XV60C | 8309574 |
| XC16S048-230 | TXV | 46000 | 15.5 | 11.7 | C35-48C | SL280UH110V60C | 8309575 |
| XC16S048-230 | TXV | 46000 | 15.5 | 12 | C35-48C | SL280UH110XV60C | 8309576 |
| XC16S048-230 | TXV | 46000 | 15 | 11.7 | C35-48C | SLO185B124/141V60 | 8309577 |
| XC16S048-230 | TXV | 46000 | 15 | 11.7 | C35-48C | SLO185UF124/141V60 | 8309578 |
| XC16S048-230 | TXV | 46000 | 15.5 | 11.7 | C35-48C | SLP98UH090XV48C | 8309579 |
| XC16S048-230 | TXV | 46000 | 15.5 | 11.7 | C35-48C | SLP98UH090XV60C | 8309580 |
| XC16S048-230 | TXV | 46000 | 15.5 | 11.7 | C35-48C | SLP98UH110XV60C | 8309747 |
| XC16S048-230 | TXV | 45500 | 14 | 11 | C35-48C | | 8309581 |
| XC16S048-230 | TXV | 46500 | 16 | 12 | C35-49C | EL180UH090E60C | 8309599 |
| XC16S048-230 | TXV | 46500 | 16 | 12 | C35-49C | EL180UH110E60C | 8309600 |
| XC16S048-230 | TXV | 46500 | 15.5 | 12.2 | C35-49C | EL195UH090XE48C | 8309597 |
| XC16S048-230 | TXV | 46500 | 16 | 12 | C35-49C | EL195UH110XE60C | 8309598 |
| XC16S048-230 | TXV | 46500 | 15.5 | 12 | C35-49C | EL296UH090XE48C | 8309584 |
| XC16S048-230 | TXV | 46500 | 16 | 12 | C35-49C | EL296UH090XV48C | 8309582 |
| XC16S048-230 | TXV | 46500 | 15.5 | 12 | C35-49C | EL296UH090XV60C | 8309583 |
| XC16S048-230 | TXV | 46500 | 16 | 12 | C35-49C | EL296UH110XE60C | 8309587 |
| XC16S048-230 | TXV | 46500 | 16 | 12 | C35-49C | EL296UH110XV48C | 8309585 |
| XC16S048-230 | TXV | 46500 | 16 | 12 | C35-49C | EL296UH110XV60C | 8309586 |
| XC16S048-230 | TXV | 47000 | 16 | 12 | C35-49C | SL280UH090V60C | 8309588 |

Ratings AHRI Certified to AHRI Standard 210/240 (with 25 ft. of connecting refrigerant lines); 95°F outdoor air temperature, 80°F db / 67°F wb entering evaporator air.

All ratings include the use of a blower time delay relay (TDR). All Lennox variable-speed furnaces and Air Handlers have time delay capabilities. Other Furnaces and Air Handlers may require an optional time delay relay (58M81) for field installation. See furnace or air handler specifications to determine if relay is needed.

Also see Expansion Valve Kit Usage Table.

AHRI SYSTEM MATCHES - NORTH / SOUTH REGIONS

NOTE - For the latest up-to-date system matches please visit the AHRI web site at <http://www.ahridirectory.org>

| Model No. | Expansion Device | Capacity | SEER | EER | Coil or Air Handler | Furnace | AHRI Reference |
|--------------|------------------|----------|------|------|---------------------|--------------------|----------------|
| XC16S048-230 | TXV | 46500 | 16 | 12 | C35-49C | SL280UH090XV60C | 8309589 |
| XC16S048-230 | TXV | 46500 | 16 | 12 | C35-49C | SL280UH110V60C | 8309590 |
| XC16S048-230 | TXV | 46500 | 16 | 12 | C35-49C | SL280UH110XV60C | 8309591 |
| XC16S048-230 | TXV | 46500 | 15.5 | 12.2 | C35-49C | SLO185B124/141V60 | 8309592 |
| XC16S048-230 | TXV | 46500 | 15.5 | 12.2 | C35-49C | SLO185UF124/141V60 | 8309593 |
| XC16S048-230 | TXV | 46500 | 16 | 12 | C35-49C | SLP98UH090XV48C | 8309594 |
| XC16S048-230 | TXV | 46500 | 16 | 12 | C35-49C | SLP98UH090XV60C | 8309595 |
| XC16S048-230 | TXV | 46500 | 16 | 12 | C35-49C | SLP98UH110XV60C | 8309596 |
| XC16S048-230 | TXV | 46500 | 14.5 | 11.7 | C35-49C | | 8309601 |
| XC16S048-230 | TXV | 45500 | 15.5 | 11.7 | C35-50/60C | CBWMV-60C-100 | 8309602 |
| XC16S048-230 | TXV | 45500 | 15.5 | 12 | C35-50/60C | EL180UH090E60C | 8309611 |
| XC16S048-230 | TXV | 45000 | 15 | 11.7 | C35-50/60C | EL180UH110E60C | 8309748 |
| XC16S048-230 | TXV | 45000 | 15 | 11.7 | C35-50/60C | EL195UH090XE48C | 8309603 |
| XC16S048-230 | TXV | 45500 | 15 | 11.7 | C35-50/60C | EL195UH110XE60C | 8309604 |
| XC16S048-230 | TXV | 45500 | 15 | 11.7 | C35-50/60C | EL296UH090XE48C | 8309607 |
| XC16S048-230 | TXV | 45500 | 15.5 | 11.7 | C35-50/60C | EL296UH090XV48C | 8309605 |
| XC16S048-230 | TXV | 45500 | 15 | 11.7 | C35-50/60C | EL296UH090XV60C | 8309606 |
| XC16S048-230 | TXV | 45500 | 15.5 | 12 | C35-50/60C | EL296UH110XE60C | 8309610 |
| XC16S048-230 | TXV | 45000 | 15.5 | 11.7 | C35-50/60C | EL296UH110XV48C | 8309608 |
| XC16S048-230 | TXV | 45500 | 15.5 | 11.7 | C35-50/60C | EL296UH110XV60C | 8309609 |
| XC16S048-230 | TXV | 45500 | 15.5 | 11.7 | C35-50/60C | SL280UH090V60C | 8309612 |
| XC16S048-230 | TXV | 45500 | 15.5 | 11.7 | C35-50/60C | SL280UH090XV60C | 8309613 |
| XC16S048-230 | TXV | 45500 | 15.5 | 11.7 | C35-50/60C | SL280UH110V60C | 8309614 |
| XC16S048-230 | TXV | 45500 | 15.5 | 11.7 | C35-50/60C | SL280UH110XV60C | 8309615 |
| XC16S048-230 | TXV | 45000 | 15 | 11.7 | C35-50/60C | SLO185B124/141V60 | 8309616 |
| XC16S048-230 | TXV | 45000 | 15 | 11.7 | C35-50/60C | SLO185UF124/141V60 | 8309617 |
| XC16S048-230 | TXV | 45500 | 15.5 | 11.7 | C35-50/60C | SLP98UH090XV48C | 8309618 |
| XC16S048-230 | TXV | 45500 | 15.5 | 11.7 | C35-50/60C | SLP98UH090XV60C | 8309619 |
| XC16S048-230 | TXV | 45500 | 15.5 | 11.7 | C35-50/60C | SLP98UH110XV60C | 8309620 |
| XC16S048-230 | TXV | 45000 | 14 | 11 | C35-50/60C | | 8309621 |
| XC16S048-230 | TXV | 47000 | 16 | 12.5 | C35-60C | EL180UH090E60C | 8309628 |
| XC16S048-230 | TXV | 47000 | 16 | 12.5 | C35-60C | EL180UH110E60C | 8309629 |
| XC16S048-230 | TXV | 47000 | 16 | 12 | C35-60C | EL195UH090XE48C | 8309630 |
| XC16S048-230 | TXV | 47000 | 16 | 12 | C35-60C | EL195UH110XE60C | 8309631 |
| XC16S048-230 | TXV | 47000 | 16 | 12 | C35-60C | EL296UH090XE48C | 8309634 |
| XC16S048-230 | TXV | 47000 | 16 | 12 | C35-60C | EL296UH090XV48C | 8309632 |
| XC16S048-230 | TXV | 47000 | 16 | 12 | C35-60C | EL296UH090XV60C | 8309633 |
| XC16S048-230 | TXV | 47000 | 16 | 12 | C35-60C | EL296UH110XE60C | 8309637 |
| XC16S048-230 | TXV | 47000 | 16 | 12 | C35-60C | EL296UH110XV48C | 8309635 |
| XC16S048-230 | TXV | 47500 | 16 | 12 | C35-60C | EL296UH110XV60C | 8309636 |
| XC16S048-230 | TXV | 47500 | 16.5 | 12.2 | C35-60C | SL280UH090V60C | 8309638 |
| XC16S048-230 | TXV | 47000 | 16 | 12 | C35-60C | SL280UH090XV60C | 8309639 |
| XC16S048-230 | TXV | 47000 | 16 | 12 | C35-60C | SL280UH110V60C | 8309640 |
| XC16S048-230 | TXV | 47000 | 16 | 12 | C35-60C | SL280UH110XV60C | 8309641 |
| XC16S048-230 | TXV | 47000 | 16 | 12 | C35-60C | SLO185B124/141V60 | 8309642 |
| XC16S048-230 | TXV | 47000 | 16 | 12 | C35-60C | SLO185UF124/141V60 | 8309643 |
| XC16S048-230 | TXV | 47000 | 16 | 12 | C35-60C | SLP98UH090XV48C | 8309644 |
| XC16S048-230 | TXV | 47000 | 16 | 12 | C35-60C | SLP98UH090XV60C | 8309645 |
| XC16S048-230 | TXV | 47500 | 16 | 12 | C35-60C | SLP98UH110XV60C | 8309646 |
| XC16S048-230 | TXV | 47000 | 14.5 | 11.7 | C35-60C | | 8309647 |
| XC16S048-230 | TXV | 47000 | 16 | 12 | C35-60D | EL296UH135XV60D | 8309622 |

Ratings AHRI Certified to AHRI Standard 210/240 (with 25 ft. of connecting refrigerant lines); 95°F outdoor air temperature, 80°F db / 67°F wb entering evaporator air.

All ratings include the use of a blower time delay relay (TDR). All Lennox variable-speed furnaces and Air Handlers have time delay capabilities. Other Furnaces and Air Handlers may require an optional time delay relay (**58M81**) for field installation. See furnace or air handler specifications to determine if relay is needed.

Also see Expansion Valve Kit Usage Table.

AHRI SYSTEM MATCHES - NORTH / SOUTH REGIONS

NOTE - For the latest up-to-date system matches please visit the AHRI web site at <http://www.ahridirectory.org>

| Model No. | Expansion Device | Capacity | SEER | EER | Coil or Air Handler | Furnace | AHRI Reference |
|--------------|------------------|----------|------|------|---------------------|--------------------|----------------|
| XC16S048-230 | TXV | 47000 | 16 | 12 | C35-60D | SL280UH135V60D | 8309623 |
| XC16S048-230 | TXV | 46500 | 15.5 | 12.2 | C35-60D | SLO185B124/141V60 | 8309624 |
| XC16S048-230 | TXV | 46500 | 15.5 | 12.2 | C35-60D | SLO185UF124/141V60 | 8309625 |
| XC16S048-230 | TXV | 47000 | 16 | 12 | C35-60D | SLP98UH135XV60D | 8309626 |
| XC16S048-230 | TXV | 46500 | 14.5 | 11.7 | C35-60D | | 8309627 |
| XC16S048-230 | TXV | 47000 | 16 | 12.2 | CBA27UHE-048 | | 10259505 |
| XC16S048-230 | TXV | 46500 | 16 | 12.2 | CBA27UHE-060 | | 10259506 |
| XC16S048-230 | TXV | 46000 | 14 | 11.5 | CBX25UH-048 | | 7621924 |
| XC16S048-230 | TXV | 47000 | 16 | 12 | CBX25UHV-048 | | 7622707 |
| XC16S048-230 | TXV | 46000 | 16 | 12 | CBX27UH-048 | | 7621920 |
| XC16S048-230 | TXV | 46500 | 16 | 12 | CBX27UH-060 | | 7621922 |
| XC16S048-230 | TXV | 46000 | 15 | 12 | CBX32M-048 | | 7621925 |
| XC16S048-230 | TXV | 47000 | 14 | 12 | CBX32M-060 | | 7621927 |
| XC16S048-230 | TXV | 46000 | 16 | 12 | CBX32MV-048 | | 7621928 |
| XC16S048-230 | TXV | 47000 | 16 | 12 | CBX32MV-060 | | 7621930 |
| XC16S048-230 | TXV | 47000 | 16 | 12 | CBX32MV-068 | | 7621932 |
| XC16S048-230 | TXV | 45500 | 15.5 | 12 | CBX40UHV-048 | | 7622331 |
| XC16S048-230 | TXV | 46000 | 15.5 | 12 | CBX40UHV-060 | | 7622333 |
| XC16S048-230 | TXV | 44000 | 14.5 | 11.5 | CH23-51 | EL180UH090E48B | 7622338 |
| XC16S048-230 | TXV | 44000 | 15 | 11.7 | CH23-51 | EL180UH090E60C | 7622339 |
| XC16S048-230 | TXV | 43500 | 15 | 11.7 | CH23-51 | EL180UH110E60C | 7622341 |
| XC16S048-230 | TXV | 44000 | 14.5 | 11.5 | CH23-51 | EL195UH090XE48C | 7621933 |
| XC16S048-230 | TXV | 44000 | 15 | 11.7 | CH23-51 | EL195UH110XE60C | 7621935 |
| XC16S048-230 | TXV | 44000 | 14.5 | 11.5 | CH23-51 | EL296UH090XE48C | 7622334 |
| XC16S048-230 | TXV | 44000 | 15 | 11.5 | CH23-51 | EL296UH090XV48C | 7621936 |
| XC16S048-230 | TXV | 44000 | 15 | 11.5 | CH23-51 | EL296UH090XV60C | 7621938 |
| XC16S048-230 | TXV | 44000 | 15 | 11.7 | CH23-51 | EL296UH110XE60C | 7622336 |
| XC16S048-230 | TXV | 44000 | 15 | 11.5 | CH23-51 | EL296UH110XV48C | 7621940 |
| XC16S048-230 | TXV | 44000 | 15 | 11.5 | CH23-51 | EL296UH110XV60C | 7621941 |
| XC16S048-230 | TXV | 44000 | 15 | 11.5 | CH23-51 | EL296UH135XV60D | 7621943 |
| XC16S048-230 | TXV | 44000 | 15 | 11.5 | CH23-51 | SL280UH090V60C | 7621945 |
| XC16S048-230 | TXV | 44000 | 15 | 11.7 | CH23-51 | SL280UH090XV60C | 7622342 |
| XC16S048-230 | TXV | 44000 | 15 | 11.7 | CH23-51 | SL280UH110V60C | 7621946 |
| XC16S048-230 | TXV | 44000 | 15 | 11.7 | CH23-51 | SL280UH110XV60C | 7622344 |
| XC16S048-230 | TXV | 44000 | 15 | 11.5 | CH23-51 | SL280UH135V60D | 7621948 |
| XC16S048-230 | TXV | 44000 | 15 | 11.5 | CH23-51 | SLP98UH090XV48C | 7621949 |
| XC16S048-230 | TXV | 44000 | 15 | 11.5 | CH23-51 | SLP98UH090XV60C | 7621951 |
| XC16S048-230 | TXV | 44000 | 15 | 11.5 | CH23-51 | SLP98UH110XV60C | 7621953 |
| XC16S048-230 | TXV | 44000 | 15 | 11.5 | CH23-51 | SLP98UH135XV60D | 7621954 |
| XC16S048-230 | TXV | 44500 | 15 | 11.7 | CH23-65 | EL180UH090E60C | 7622349 |
| XC16S048-230 | TXV | 44500 | 15 | 11.7 | CH23-65 | EL180UH110E60C | 7622350 |
| XC16S048-230 | TXV | 44500 | 15 | 11.7 | CH23-65 | EL195UH090XE48C | 7621956 |
| XC16S048-230 | TXV | 44500 | 15 | 11.7 | CH23-65 | EL195UH110XE60C | 7621957 |
| XC16S048-230 | TXV | 44500 | 15 | 11.5 | CH23-65 | EL296UH090XE48C | 7622346 |
| XC16S048-230 | TXV | 44500 | 15.5 | 11.7 | CH23-65 | EL296UH090XV48C | 7621959 |
| XC16S048-230 | TXV | 44500 | 15.5 | 11.7 | CH23-65 | EL296UH090XV60C | 7621961 |
| XC16S048-230 | TXV | 44500 | 15 | 11.7 | CH23-65 | EL296UH110XE60C | 7622347 |
| XC16S048-230 | TXV | 44500 | 15.5 | 11.7 | CH23-65 | EL296UH110XV48C | 7621962 |
| XC16S048-230 | TXV | 44500 | 15.5 | 11.7 | CH23-65 | EL296UH110XV60C | 7621964 |
| XC16S048-230 | TXV | 45000 | 15.5 | 12 | CH23-65 | EL296UH135XV60D | 7621965 |
| XC16S048-230 | TXV | 45000 | 15.5 | 12 | CH23-65 | SL280UH090V60C | 7621829 |

Ratings AHRI Certified to AHRI Standard 210/240 (with 25 ft. of connecting refrigerant lines); 95°F outdoor air temperature, 80°F db / 67°F wb entering evaporator air.

All ratings include the use of a blower time delay relay (TDR). All Lennox variable-speed furnaces and Air Handlers have time delay capabilities. Other Furnaces and Air Handlers may require an optional time delay relay (58M81) for field installation. See furnace or air handler specifications to determine if relay is needed.

Also see Expansion Valve Kit Usage Table.

AHRI SYSTEM MATCHES - NORTH / SOUTH REGIONS

NOTE - For the latest up-to-date system matches please visit the AHRI web site at <http://www.ahridirectory.org>

| Model No. | Expansion Device | Capacity | SEER | EER | Coil or Air Handler | Furnace | AHRI Reference |
|--------------|------------------|----------|------|------|---------------------|-----------------|----------------|
| XC16S048-230 | TXV | 45000 | 15.5 | 12 | CH23-65 | SL280UH090XV48B | 7622415 |
| XC16S048-230 | TXV | 44500 | 15.5 | 11.7 | CH23-65 | SL280UH110V60C | 7621830 |
| XC16S048-230 | TXV | 44500 | 15.5 | 11.7 | CH23-65 | SL280UH110XV60C | 7622417 |
| XC16S048-230 | TXV | 45000 | 15.5 | 12 | CH23-65 | SL280UH135V60D | 7621967 |
| XC16S048-230 | TXV | 44500 | 15.5 | 11.7 | CH23-65 | SLP98UH090XV48C | 7621969 |
| XC16S048-230 | TXV | 44500 | 15.5 | 11.7 | CH23-65 | SLP98UH090XV60C | 7621970 |
| XC16S048-230 | TXV | 45000 | 15.5 | 11.7 | CH23-65 | SLP98UH110XV60C | 7621972 |
| XC16S048-230 | TXV | 45000 | 15.5 | 12 | CH23-65 | SLP98UH135XV60D | 7621973 |
| XC16S048-230 | TXV | 46500 | 15.5 | 12.2 | CH23-68 | EL180UH090E60C | 7622352 |
| XC16S048-230 | TXV | 46000 | 15.5 | 12.2 | CH23-68 | EL180UH110E60C | 7622354 |
| XC16S048-230 | TXV | 46500 | 15.5 | 12.2 | CH23-68 | EL195UH090XE48C | 7621975 |
| XC16S048-230 | TXV | 46500 | 16 | 12 | CH23-68 | EL195UH110XE60C | 7621977 |
| XC16S048-230 | TXV | 46000 | 15.5 | 12 | CH23-68 | EL296UH090XE48C | 7622355 |
| XC16S048-230 | TXV | 46000 | 15.5 | 12 | CH23-68 | EL296UH110XE60C | 7622357 |
| XC16S048-230 | TXV | 46500 | 16 | 12 | CH23-68 | EL296UH135XV60D | 7621978 |
| XC16S048-230 | TXV | 46500 | 16 | 12 | CH23-68 | SL280UH135V60D | 7621980 |
| XC16S048-230 | TXV | 46500 | 16 | 12 | CH23-68 | SLP98UH135XV60D | 7621981 |
| XC16S048-230 | TXV | 46000 | 14 | 11.5 | CH23-68 | | 7621861 |
| XC16S048-230 | TXV | 46500 | 15.5 | 12 | CH33-43B | SL280UH090V48B | 7622358 |
| XC16S048-230 | TXV | 46500 | 15.5 | 12 | CH33-43B | SL280UH090XV48B | 7622360 |
| XC16S048-230 | TXV | 46000 | 15.5 | 12.2 | CH33-43C | EL180UH090E60C | 7621832 |
| XC16S048-230 | TXV | 45500 | 15.5 | 12.2 | CH33-43C | EL180UH110E60C | 7621833 |
| XC16S048-230 | TXV | 45500 | 15 | 11.7 | CH33-43C | EL195UH090XE48C | 7621983 |
| XC16S048-230 | TXV | 46000 | 15 | 11.7 | CH33-43C | EL195UH110XE60C | 7621985 |
| XC16S048-230 | TXV | 45500 | 15.5 | 11.7 | CH33-43C | EL296UH090XE48C | 7622362 |
| XC16S048-230 | TXV | 46000 | 15.5 | 12 | CH33-43C | EL296UH110XE60C | 7622363 |
| XC16S048-230 | TXV | 45500 | 15.5 | 11.7 | CH33-43C | EL296UH110XV48C | 7621986 |
| XC16S048-230 | TXV | 45500 | 15.5 | 11.7 | CH33-44/48B | EL180UH090E48B | 7622365 |
| XC16S048-230 | TXV | 45000 | 15 | 11.5 | CH33-44/48B | SL280UH090V48B | 7622367 |
| XC16S048-230 | TXV | 45000 | 15 | 11.5 | CH33-44/48B | SL280UH090XV48B | 7622368 |
| XC16S048-230 | TXV | 45500 | 15.5 | 11.7 | CH33-48 | EL296UH090XV48C | 7621991 |
| XC16S048-230 | TXV | 45500 | 15 | 11.7 | CH33-48 | EL296UH090XV60C | 7621993 |
| XC16S048-230 | TXV | 45500 | 15.5 | 11.7 | CH33-48 | EL296UH110XV48C | 7621994 |
| XC16S048-230 | TXV | 45500 | 15.5 | 11.7 | CH33-48 | EL296UH110XV60C | 7621996 |
| XC16S048-230 | TXV | 45500 | 15.5 | 11.7 | CH33-48 | SL280UH090V60C | 7621998 |
| XC16S048-230 | TXV | 45500 | 15.5 | 11.7 | CH33-48 | SL280UH090XV60C | 7622370 |
| XC16S048-230 | TXV | 45500 | 15.5 | 11.7 | CH33-48 | SL280UH110V60C | 7621999 |
| XC16S048-230 | TXV | 45500 | 15.5 | 11.7 | CH33-48 | SL280UH110XV60C | 7622371 |
| XC16S048-230 | TXV | 45500 | 15.5 | 11.7 | CH33-48 | SLP98UH090XV48C | 7622001 |
| XC16S048-230 | TXV | 45500 | 15.5 | 11.7 | CH33-48 | SLP98UH090XV60C | 7622002 |
| XC16S048-230 | TXV | 45500 | 15.5 | 11.7 | CH33-48 | SLP98UH110XV60C | 7622004 |
| XC16S048-230 | TXV | 45500 | 15.5 | 12 | CH33-48C | EL180UH090E60C | 7622373 |
| XC16S048-230 | TXV | 45500 | 15.5 | 12.2 | CH33-48C | EL180UH110E60C | 7622375 |
| XC16S048-230 | TXV | 45000 | 15 | 11.7 | CH33-48C | EL195UH090XE48C | 7621988 |
| XC16S048-230 | TXV | 46000 | 15 | 11.7 | CH33-48C | EL195UH110XE60C | 7621990 |
| XC16S048-230 | TXV | 45500 | 15.5 | 11.7 | CH33-48C | EL296UH090XE48C | 7622376 |
| XC16S048-230 | TXV | 45500 | 15.5 | 12 | CH33-48C | EL296UH110XE60C | 7622378 |
| XC16S048-230 | TXV | 45000 | 14 | 11 | CH33-48C | | 7621863 |
| XC16S048-230 | TXV | 46500 | 15.5 | 12 | CH33-49 | EL296UH090XV48C | 7622006 |
| XC16S048-230 | TXV | 46500 | 15.5 | 12 | CH33-49 | EL296UH090XV60C | 7622007 |
| XC16S048-230 | TXV | 46500 | 15.5 | 12 | CH33-49 | EL296UH110XV48C | 7622009 |

Ratings AHRI Certified to AHRI Standard 210/240 (with 25 ft. of connecting refrigerant lines); 95°F outdoor air temperature, 80°F db / 67°F wb entering evaporator air.

All ratings include the use of a blower time delay relay (TDR). All Lennox variable-speed furnaces and Air Handlers have time delay capabilities. Other Furnaces and Air Handlers may require an optional time delay relay (**58M81**) for field installation. See furnace or air handler specifications to determine if relay is needed.

Also see Expansion Valve Kit Usage Table.

AHRI SYSTEM MATCHES - NORTH / SOUTH REGIONS

NOTE - For the latest up-to-date system matches please visit the AHRI web site at <http://www.ahridirectory.org>

| Model No. | Expansion Device | Capacity | SEER | EER | Coil or Air Handler | Furnace | AHRI Reference |
|--------------|------------------|----------|------|------|---------------------|-----------------|----------------|
| XC16S048-230 | TXV | 46500 | 15.5 | 12 | CH33-49 | EL296UH110XV60C | 7622010 |
| XC16S048-230 | TXV | 46500 | 16 | 12 | CH33-49 | SL280UH090V60C | 7622012 |
| XC16S048-230 | TXV | 46500 | 16 | 12 | CH33-49 | SL280UH090XV60C | 7622379 |
| XC16S048-230 | TXV | 46500 | 15.5 | 12 | CH33-49 | SL280UH110V60C | 7622014 |
| XC16S048-230 | TXV | 46500 | 15.5 | 12 | CH33-49 | SL280UH110XV60C | 7622381 |
| XC16S048-230 | TXV | 46500 | 15.5 | 12 | CH33-49 | SLP98UH090XV48C | 7622015 |
| XC16S048-230 | TXV | 46500 | 15.5 | 12 | CH33-49 | SLP98UH090XV60C | 7622017 |
| XC16S048-230 | TXV | 46500 | 15.5 | 12 | CH33-49 | SLP98UH110XV60C | 7622018 |
| XC16S048-230 | TXV | 46000 | 14.5 | 11.5 | CH33-49 | | 7621904 |
| XC16S048-230 | TXV | 46000 | 15.5 | 11.7 | CH33-50/60C | CBWMV-60C-100 | 7622383 |
| XC16S048-230 | TXV | 46000 | 16 | 12 | CH33-50/60C | EL180UH090E60C | 7622384 |
| XC16S048-230 | TXV | 46000 | 16 | 12 | CH33-50/60C | EL180UH110E60C | 7622386 |
| XC16S048-230 | TXV | 46000 | 15.5 | 12 | CH33-50/60C | EL195UH090XE48C | 7622020 |
| XC16S048-230 | TXV | 46500 | 15.5 | 11.7 | CH33-50/60C | EL195UH110XE60C | 7622022 |
| XC16S048-230 | TXV | 46000 | 15.5 | 12 | CH33-50/60C | EL296UH090XE48C | 7622418 |
| XC16S048-230 | TXV | 46000 | 15.5 | 12 | CH33-50/60C | EL296UH090XE48C | 7621835 |
| XC16S048-230 | TXV | 46000 | 15.5 | 11.7 | CH33-50/60C | EL296UH090XV48C | 7622023 |
| XC16S048-230 | TXV | 46000 | 15.5 | 11.7 | CH33-50/60C | EL296UH090XV60C | 7622025 |
| XC16S048-230 | TXV | 46000 | 15.5 | 12 | CH33-50/60C | EL296UH110XE60C | 7621837 |
| XC16S048-230 | TXV | 46000 | 15.5 | 12 | CH33-50/60C | EL296UH110XE60C | 7622420 |
| XC16S048-230 | TXV | 46000 | 15.5 | 12 | CH33-50/60C | EL296UH110XV48C | 7622026 |
| XC16S048-230 | TXV | 46000 | 15.5 | 11.7 | CH33-50/60C | EL296UH110XV60C | 7622028 |
| XC16S048-230 | TXV | 46500 | 16 | 12 | CH33-50/60C | SL280UH090V60C | 7622030 |
| XC16S048-230 | TXV | 46500 | 15.5 | 12.2 | CH33-50/60C | SL280UH090XV60C | 7622387 |
| XC16S048-230 | TXV | 46000 | 15.5 | 12 | CH33-50/60C | SL280UH110V60C | 7622031 |
| XC16S048-230 | TXV | 46000 | 15.5 | 12 | CH33-50/60C | SL280UH110XV60C | 7622389 |
| XC16S048-230 | TXV | 46000 | 15.5 | 11.7 | CH33-50/60C | SLP98UH090XV48C | 7622033 |
| XC16S048-230 | TXV | 46000 | 15.5 | 11.7 | CH33-50/60C | SLP98UH090XV60C | 7622035 |
| XC16S048-230 | TXV | 46000 | 15.5 | 11.7 | CH33-50/60C | SLP98UH110XV60C | 7622036 |
| XC16S048-230 | TXV | 46000 | 14.5 | 11.5 | CH33-50/60C | | 7621864 |
| XC16S048-230 | TXV | 46000 | 16 | 12 | CH33-60D | EL296UH135XV60D | 7622038 |
| XC16S048-230 | TXV | 46000 | 16 | 12 | CH33-60D | SL280UH135V60D | 7622040 |
| XC16S048-230 | TXV | 46000 | 15.5 | 12 | CH33-60D | SLP98UH135XV60D | 7622042 |
| XC16S048-230 | TXV | 45500 | 14 | 11.5 | CH33-60D | | 7621866 |
| XC16S048-230 | TXV | 46500 | 16 | 12 | CH33-62D | EL296UH135XV60D | 7622043 |
| XC16S048-230 | TXV | 46500 | 16 | 12 | CH33-62D | SL280UH135V60D | 7622045 |
| XC16S048-230 | TXV | 46500 | 16 | 12 | CH33-62D | SLP98UH135XV60D | 7622047 |
| XC16S048-230 | TXV | 46000 | 14.5 | 11.5 | CH33-62D | | 7621868 |
| XC16S048-230 | TXV | 47000 | 15.5 | 12 | CH35-42B | SL280UH090V48B | 7624294 |
| XC16S048-230 | TXV | 47000 | 15.5 | 12 | CH35-42B | SL280UH090XV48B | 7624296 |
| XC16S048-230 | TXV | 46500 | 14.5 | 11.7 | CH35-42B | | 7624291 |
| XC16S048-230 | TXV | 46000 | 15.5 | 12 | CH35-42C | EL180UH090E60C | 7624297 |
| XC16S048-230 | TXV | 46000 | 15.5 | 12 | CH35-42C | EL180UH110E60C | 7624299 |
| XC16S048-230 | TXV | 45500 | 15.1 | 11.7 | CH35-42C | EL195UH090XE48C | 7624301 |
| XC16S048-230 | TXV | 46500 | 15.1 | 11.7 | CH35-42C | EL195UH110XE60C | 7624302 |
| XC16S048-230 | TXV | 46000 | 15.5 | 12 | CH35-42C | EL296UH090XE48C | 7624304 |
| XC16S048-230 | TXV | 46000 | 15.5 | 12 | CH35-42C | EL296UH110XE60C | 7624307 |
| XC16S048-230 | TXV | 46000 | 15.5 | 12 | CH35-42C | EL296UH110XV48C | 7624306 |
| XC16S048-230 | TXV | 46000 | 14.5 | 11.5 | CH35-42C | | 7624293 |
| XC16S048-230 | TXV | 45500 | 15.5 | 11.7 | CH35-48B | EL180UH090E48B | 7624309 |
| XC16S048-230 | TXV | 45500 | 15.1 | 11.5 | CH35-48B | SL280UH090V48B | 7624311 |

Ratings AHRI Certified to AHRI Standard 210/240 (with 25 ft. of connecting refrigerant lines); 95°F outdoor air temperature, 80°F db / 67°F wb entering evaporator air.

All ratings include the use of a blower time delay relay (TDR). All Lennox variable-speed furnaces and Air Handlers have time delay capabilities. Other Furnaces and Air Handlers may require an optional time delay relay (58M81) for field installation. See furnace or air handler specifications to determine if relay is needed.

Also see Expansion Valve Kit Usage Table.

AHRI SYSTEM MATCHES - NORTH / SOUTH REGIONS

NOTE - For the latest up-to-date system matches please visit the AHRI web site at <http://www.ahridirectory.org>

| Model No. | Expansion Device | Capacity | SEER | EER | Coil or Air Handler | Furnace | AHRI Reference |
|--------------|------------------|----------|-------|------|---------------------|-----------------|----------------|
| XC16S048-230 | TXV | 45500 | 15.1 | 11.5 | CH35-48B | SL280UH090XV48B | 7624312 |
| XC16S048-230 | TXV | 45500 | 14.25 | 11.5 | CH35-48B | | 7624314 |
| XC16S048-230 | TXV | 46000 | 15.5 | 12 | CH35-48C | EL180UH090E60C | 7624317 |
| XC16S048-230 | TXV | 45500 | 15.5 | 12 | CH35-48C | EL180UH110E60C | 7624319 |
| XC16S048-230 | TXV | 45500 | 15.1 | 11.7 | CH35-48C | EL195UH090XE48C | 7624321 |
| XC16S048-230 | TXV | 46000 | 15.1 | 11.7 | CH35-48C | EL195UH110XE60C | 7624322 |
| XC16S048-230 | TXV | 45500 | 15.5 | 11.7 | CH35-48C | EL296UH090XV48C | 7624324 |
| XC16S048-230 | TXV | 45500 | 15.1 | 11.7 | CH35-48C | EL296UH090XV60C | 7624326 |
| XC16S048-230 | TXV | 46000 | 15.5 | 12 | CH35-48C | EL296UH110XE60C | 7624330 |
| XC16S048-230 | TXV | 45500 | 15.5 | 11.7 | CH35-48C | EL296UH110XV48C | 7624327 |
| XC16S048-230 | TXV | 46000 | 15.5 | 11.7 | CH35-48C | EL296UH110XV60C | 7624329 |
| XC16S048-230 | TXV | 46000 | 15.5 | 12 | CH35-48C | SL280UH090V60C | 7623697 |
| XC16S048-230 | TXV | 46000 | 15.5 | 12 | CH35-48C | SL280UH090XV60C | 7624332 |
| XC16S048-230 | TXV | 45500 | 15.5 | 11.7 | CH35-48C | SL280UH110V60C | 7623698 |
| XC16S048-230 | TXV | 45500 | 15.5 | 11.7 | CH35-48C | SL280UH110XV60C | 7624333 |
| XC16S048-230 | TXV | 45500 | 15.5 | 11.7 | CH35-48C | SLP98UH090XV48C | 7623700 |
| XC16S048-230 | TXV | 45500 | 15.5 | 11.7 | CH35-48C | SLP98UH090XV60C | 7623702 |
| XC16S048-230 | TXV | 46000 | 15.5 | 11.7 | CH35-48C | SLP98UH110XV60C | 7623703 |
| XC16S048-230 | TXV | 45500 | 14.25 | 11.5 | CH35-48C | | 7624316 |
| XC16S048-230 | TXV | 46500 | 15.5 | 12 | CH35-51C | CBWMV-60C-100 | 7624347 |
| XC16S048-230 | TXV | 46500 | 16 | 12 | CH35-51C | EL180UH090E60C | 7624348 |
| XC16S048-230 | TXV | 46500 | 16 | 12 | CH35-51C | EL180UH110E60C | 7624350 |
| XC16S048-230 | TXV | 46000 | 15.5 | 12 | CH35-51C | EL195UH090XE48C | 7624352 |
| XC16S048-230 | TXV | 47000 | 15.5 | 11.7 | CH35-51C | EL195UH110XE60C | 7624353 |
| XC16S048-230 | TXV | 46500 | 15.5 | 12 | CH35-51C | EL296UH090XV48C | 7624335 |
| XC16S048-230 | TXV | 46500 | 15.5 | 12 | CH35-51C | EL296UH090XV60C | 7624337 |
| XC16S048-230 | TXV | 46500 | 15.5 | 11.7 | CH35-51C | EL296UH110XE60C | 7624355 |
| XC16S048-230 | TXV | 46500 | 15.5 | 12 | CH35-51C | EL296UH110XV48C | 7624338 |
| XC16S048-230 | TXV | 46500 | 15.5 | 12 | CH35-51C | EL296UH110XV60C | 7624340 |
| XC16S048-230 | TXV | 46500 | 16 | 12 | CH35-51C | SL280UH090V60C | 7623705 |
| XC16S048-230 | TXV | 46500 | 16 | 12 | CH35-51C | SL280UH090XV60C | 7624342 |
| XC16S048-230 | TXV | 46500 | 15.5 | 12 | CH35-51C | SL280UH110V60C | 7623706 |
| XC16S048-230 | TXV | 46500 | 15.5 | 12 | CH35-51C | SL280UH110XV60C | 7624343 |
| XC16S048-230 | TXV | 46500 | 15.5 | 12 | CH35-51C | SLP98UH090XV48C | 7623708 |
| XC16S048-230 | TXV | 46500 | 15.5 | 12 | CH35-51C | SLP98UH090XV60C | 7623710 |
| XC16S048-230 | TXV | 46500 | 15.5 | 12 | CH35-51C | SLP98UH110XV60C | 7623711 |
| XC16S048-230 | TXV | 46500 | 14.5 | 11.7 | CH35-51C | | 7624345 |
| XC16S048-230 | TXV | 47000 | 16 | 12 | CH35-60D | EL296UH135XV60D | 7624358 |
| XC16S048-230 | TXV | 46500 | 16 | 12 | CH35-60D | SL280UH135V60D | 7623713 |
| XC16S048-230 | TXV | 46500 | 16 | 12 | CH35-60D | SLP98UH135XV60D | 7623715 |
| XC16S048-230 | TXV | 46000 | 14.5 | 11.5 | CH35-60D | | 7624357 |
| XC16S048-230 | TXV | 44500 | 15 | 11.7 | CR33-48 | EL180DF110E60C | 7622054 |
| XC16S048-230 | TXV | 44000 | 15 | 11.5 | CR33-48 | EL195DF090XE48C | 7622049 |
| XC16S048-230 | TXV | 44500 | 15 | 11 | CR33-48 | EL195DF110XE60C | 7622421 |
| XC16S048-230 | TXV | 44500 | 15 | 11.5 | CR33-48 | EL296DF090XE48C | 7622391 |
| XC16S048-230 | TXV | 44500 | 15 | 11 | CR33-48 | EL296DF090XV60C | 7622050 |
| XC16S048-230 | TXV | 44500 | 15 | 11.7 | CR33-48 | EL296DF110XE60C | 7622392 |
| XC16S048-230 | TXV | 44500 | 15 | 11 | CR33-48 | EL296DF110XV60C | 7622052 |
| XC16S048-230 | TXV | 44500 | 15 | 11.7 | CR33-48 | SL280DF090V60C | 7622056 |
| XC16S048-230 | TXV | 44500 | 15.5 | 11.7 | CR33-48 | SL280DF110V60C | 7622057 |
| XC16S048-230 | TXV | 44500 | 15 | 11 | CR33-48 | SLP98DF090XV48C | 7622394 |

Ratings AHRI Certified to AHRI Standard 210/240 (with 25 ft. of connecting refrigerant lines); 95°F outdoor air temperature, 80°F db / 67°F wb entering evaporator air.

All ratings include the use of a blower time delay relay (TDR). All Lennox variable-speed furnaces and Air Handlers have time delay capabilities. Other Furnaces and Air Handlers may require an optional time delay relay (**58M81**) for field installation. See furnace or air handler specifications to determine if relay is needed.

Also see Expansion Valve Kit Usage Table.

AHRI SYSTEM MATCHES - NORTH / SOUTH REGIONS

NOTE - For the latest up-to-date system matches please visit the AHRI web site at <http://www.ahridirectory.org>

| Model No. | Expansion Device | Capacity | SEER | EER | Coil or Air Handler | Furnace | AHRI Reference |
|--------------|------------------|----------|------|------|---------------------|--------------------|----------------|
| XC16S048-230 | TXV | 44500 | 15 | 11 | CR33-48 | SLP98DF090XV60C | 7622396 |
| XC16S048-230 | TXV | 44500 | 15 | 11.5 | CR33-48 | SLP98DF110XV60C | 7622397 |
| XC16S048-230 | TXV | 44000 | 14 | 11 | CR33-48 | | 7621907 |
| XC16S048-230 | TXV | 45000 | 15.5 | 12 | CR33-50/60 | EL180DF110E60C | 7622399 |
| XC16S048-230 | TXV | 45000 | 15 | 11.7 | CR33-50/60 | EL195DF090XE48C | 7622059 |
| XC16S048-230 | TXV | 45000 | 15 | 11.7 | CR33-50/60 | EL195DF110XE60C | 7622061 |
| XC16S048-230 | TXV | 45000 | 15 | 11.7 | CR33-50/60 | EL296DF090XE48C | 7622400 |
| XC16S048-230 | TXV | 45000 | 15 | 11.7 | CR33-50/60 | EL296DF090XV60C | 7622062 |
| XC16S048-230 | TXV | 45000 | 15 | 11.7 | CR33-50/60 | EL296DF110XE60C | 7622402 |
| XC16S048-230 | TXV | 45000 | 15 | 11.5 | CR33-50/60 | EL296DF110XV60C | 7622064 |
| XC16S048-230 | TXV | 45000 | 15.5 | 11.7 | CR33-50/60 | SL280DF090V60C | 7622067 |
| XC16S048-230 | TXV | 45000 | 15.5 | 12 | CR33-50/60 | SL280DF110V60C | 7622070 |
| XC16S048-230 | TXV | 45000 | 15 | 11.5 | CR33-50/60 | SLP98DF090XV48C | 7622404 |
| XC16S048-230 | TXV | 45000 | 15 | 11.7 | CR33-50/60 | SLP98DF090XV60C | 7622405 |
| XC16S048-230 | TXV | 45000 | 15 | 11.7 | CR33-50/60 | SLP98DF110XV60C | 7622407 |
| XC16S048-230 | TXV | 44500 | 14 | 11 | CR33-50/60 | | 7621911 |
| XC16S048-230 | TXV | 44500 | 14 | 11 | CR33-60 | | 7621914 |
| XC16S048-230 | TXV | 46000 | 15.5 | 11.7 | CX35-48B | EL180UH090E48B | 8309650 |
| XC16S048-230 | TXV | 46000 | 15.5 | 12 | CX35-48B | EL180UH090E60C | 8309648 |
| XC16S048-230 | TXV | 45500 | 15.5 | 12 | CX35-48B | EL180UH110E60C | 8309649 |
| XC16S048-230 | TXV | 45500 | 15 | 11.7 | CX35-48B | SL280UH090V48B | 9150397 |
| XC16S048-230 | TXV | 45500 | 14 | 11 | CX35-48B | | 8309655 |
| XC16S048-230 | TXV | 45500 | 15.5 | 11.7 | CX35-48C | EL180UH090E60C | 8309653 |
| XC16S048-230 | TXV | 46500 | 15 | 11.7 | CX35-48C | EL180UH110E60C | 8309654 |
| XC16S048-230 | TXV | 45500 | 15 | 11.7 | CX35-48C | EL195UH090XE48C | 8309651 |
| XC16S048-230 | TXV | 46500 | 15 | 11.7 | CX35-48C | EL195UH110XE60C | 8309652 |
| XC16S048-230 | TXV | 46000 | 15.5 | 11.7 | CX35-48C | EL296UH090XE48C | 8309659 |
| XC16S048-230 | TXV | 46000 | 15.5 | 11.7 | CX35-48C | EL296UH090XV48C | 8309657 |
| XC16S048-230 | TXV | 46000 | 15.5 | 11.7 | CX35-48C | EL296UH090XV60C | 8309658 |
| XC16S048-230 | TXV | 46000 | 15.5 | 12 | CX35-48C | EL296UH110XE60C | 8309662 |
| XC16S048-230 | TXV | 46000 | 15.5 | 12 | CX35-48C | EL296UH110XV48C | 8309660 |
| XC16S048-230 | TXV | 46000 | 15.5 | 11.7 | CX35-48C | EL296UH110XV60C | 8309661 |
| XC16S048-230 | TXV | 46000 | 16 | 12 | CX35-48C | SL280UH090V60C | 8309663 |
| XC16S048-230 | TXV | 46000 | 15.5 | 12 | CX35-48C | SL280UH090XV60C | 8309664 |
| XC16S048-230 | TXV | 46000 | 15.5 | 12 | CX35-48C | SL280UH110V60C | 8309665 |
| XC16S048-230 | TXV | 46000 | 15.5 | 12 | CX35-48C | SL280UH110XV60C | 8309666 |
| XC16S048-230 | TXV | 46000 | 15.5 | 12 | CX35-48C | SLO185B124/141V60 | 8309667 |
| XC16S048-230 | TXV | 46000 | 15.5 | 12 | CX35-48C | SLO185UF124/141V60 | 8309668 |
| XC16S048-230 | TXV | 46000 | 15.5 | 11.7 | CX35-48C | SLP98UH090XV48C | 8309669 |
| XC16S048-230 | TXV | 46000 | 15.5 | 11.7 | CX35-48C | SLP98UH090XV60C | 8309670 |
| XC16S048-230 | TXV | 46000 | 15.5 | 11.7 | CX35-48C | SLP98UH110XV60C | 8309671 |
| XC16S048-230 | TXV | 45500 | 14 | 11 | CX35-48C | | 8309656 |
| XC16S048-230 | TXV | 46500 | 16 | 12 | CX35-49C | EL180UH090E60C | 8309674 |
| XC16S048-230 | TXV | 46500 | 16 | 12 | CX35-49C | EL180UH110E60C | 8309675 |
| XC16S048-230 | TXV | 46500 | 15.5 | 12.2 | CX35-49C | EL195UH090XE48C | 8309672 |
| XC16S048-230 | TXV | 46500 | 16 | 12 | CX35-49C | EL195UH110XE60C | 8309673 |
| XC16S048-230 | TXV | 46500 | 15.5 | 12 | CX35-49C | EL296UH090XE48C | 8309679 |
| XC16S048-230 | TXV | 46500 | 16 | 12 | CX35-49C | EL296UH090XV48C | 8309677 |
| XC16S048-230 | TXV | 46500 | 15.5 | 12 | CX35-49C | EL296UH090XV60C | 8309678 |
| XC16S048-230 | TXV | 46500 | 16 | 12 | CX35-49C | EL296UH110XE60C | 8309682 |
| XC16S048-230 | TXV | 46500 | 16 | 12 | CX35-49C | EL296UH110XV48C | 8309680 |

Ratings AHRI Certified to AHRI Standard 210/240 (with 25 ft. of connecting refrigerant lines); 95°F outdoor air temperature, 80°F db / 67°F wb entering evaporator air.

All ratings include the use of a blower time delay relay (TDR). All Lennox variable-speed furnaces and Air Handlers have time delay capabilities. Other Furnaces and Air Handlers may require an optional time delay relay (**58M81**) for field installation. See furnace or air handler specifications to determine if relay is needed.

Also see Expansion Valve Kit Usage Table.

AHRI SYSTEM MATCHES - NORTH / SOUTH REGIONS

NOTE - For the latest up-to-date system matches please visit the AHRI web site at <http://www.ahridirectory.org>

| Model No. | Expansion Device | Capacity | SEER | EER | Coil or Air Handler | Furnace | AHRI Reference |
|--------------|------------------|----------|------|------|---------------------|--------------------|----------------|
| XC16S048-230 | TXV | 46500 | 16 | 12 | CX35-49C | EL296UH110XV60C | 8309681 |
| XC16S048-230 | TXV | 47000 | 16 | 12 | CX35-49C | SL280UH090V60C | 8309683 |
| XC16S048-230 | TXV | 46500 | 16 | 12 | CX35-49C | SL280UH090XV60C | 8309684 |
| XC16S048-230 | TXV | 46500 | 16 | 12 | CX35-49C | SL280UH110V60C | 8309685 |
| XC16S048-230 | TXV | 46500 | 16 | 12 | CX35-49C | SL280UH110XV60C | 8309686 |
| XC16S048-230 | TXV | 46500 | 15.5 | 12.2 | CX35-49C | SLO185B124/141V60 | 8309687 |
| XC16S048-230 | TXV | 46500 | 15.5 | 12.2 | CX35-49C | SLO185UF124/141V60 | 8309688 |
| XC16S048-230 | TXV | 46500 | 16 | 12 | CX35-49C | SLP98UH090XV48C | 8309689 |
| XC16S048-230 | TXV | 46500 | 16 | 12 | CX35-49C | SLP98UH090XV60C | 8309690 |
| XC16S048-230 | TXV | 46500 | 16 | 12 | CX35-49C | SLP98UH110XV60C | 8309691 |
| XC16S048-230 | TXV | 46500 | 14.5 | 11.7 | CX35-49C | | 8309676 |
| XC16S048-230 | TXV | 45500 | 15.5 | 11.7 | CX35-50/60C | CBWMV-60C-100 | 8309693 |
| XC16S048-230 | TXV | 45500 | 15.5 | 12 | CX35-50/60C | EL180UH090E60C | 8309702 |
| XC16S048-230 | TXV | 45000 | 15 | 11.7 | CX35-50/60C | EL180UH110E60C | 8309749 |
| XC16S048-230 | TXV | 45000 | 15 | 11.7 | CX35-50/60C | EL195UH090XE48C | 8309694 |
| XC16S048-230 | TXV | 45500 | 15 | 11.7 | CX35-50/60C | EL195UH110XE60C | 8309695 |
| XC16S048-230 | TXV | 45500 | 15 | 11.7 | CX35-50/60C | EL296UH090XE48C | 8309698 |
| XC16S048-230 | TXV | 45500 | 15.5 | 11.7 | CX35-50/60C | EL296UH090XV48C | 8309696 |
| XC16S048-230 | TXV | 45500 | 15 | 11.7 | CX35-50/60C | EL296UH090XV60C | 8309697 |
| XC16S048-230 | TXV | 45500 | 15.5 | 12 | CX35-50/60C | EL296UH110XE60C | 8309701 |
| XC16S048-230 | TXV | 45500 | 15.5 | 11.7 | CX35-50/60C | EL296UH110XV48C | 8309699 |
| XC16S048-230 | TXV | 45500 | 15.5 | 11.7 | CX35-50/60C | EL296UH110XV60C | 8309700 |
| XC16S048-230 | TXV | 45500 | 15.5 | 11.7 | CX35-50/60C | SL280UH090V60C | 8309703 |
| XC16S048-230 | TXV | 45500 | 15.5 | 11.7 | CX35-50/60C | SL280UH090XV60C | 8309704 |
| XC16S048-230 | TXV | 45500 | 15.5 | 11.7 | CX35-50/60C | SL280UH110V60C | 8309705 |
| XC16S048-230 | TXV | 45500 | 15.5 | 11.7 | CX35-50/60C | SL280UH110XV60C | 8309706 |
| XC16S048-230 | TXV | 45000 | 15 | 11.7 | CX35-50/60C | SLO185B124/141V60 | 8309707 |
| XC16S048-230 | TXV | 45000 | 15 | 11.7 | CX35-50/60C | SLO185UF124/141V60 | 8309708 |
| XC16S048-230 | TXV | 45500 | 15.5 | 11.7 | CX35-50/60C | SLP98UH090XV48C | 8309709 |
| XC16S048-230 | TXV | 45500 | 15.5 | 11.7 | CX35-50/60C | SLP98UH090XV60C | 8309710 |
| XC16S048-230 | TXV | 45500 | 15.5 | 11.7 | CX35-50/60C | SLP98UH110XV60C | 8309711 |
| XC16S048-230 | TXV | 45000 | 14 | 11 | CX35-50/60C | | 8309692 |
| XC16S048-230 | TXV | 47000 | 16 | 12.5 | CX35-60C | EL180UH090E60C | 8309719 |
| XC16S048-230 | TXV | 47000 | 16 | 12.5 | CX35-60C | EL180UH110E60C | 8309720 |
| XC16S048-230 | TXV | 47000 | 16 | 12 | CX35-60C | EL195UH090XE48C | 8309721 |
| XC16S048-230 | TXV | 47000 | 16 | 12 | CX35-60C | EL195UH110XE60C | 8309722 |
| XC16S048-230 | TXV | 47000 | 16 | 12 | CX35-60C | EL296UH090XE48C | 8309725 |
| XC16S048-230 | TXV | 47000 | 16 | 12 | CX35-60C | EL296UH090XV48C | 8309723 |
| XC16S048-230 | TXV | 47000 | 16 | 12 | CX35-60C | EL296UH090XV60C | 8309724 |
| XC16S048-230 | TXV | 47000 | 16 | 12 | CX35-60C | EL296UH110XE60C | 8309729 |
| XC16S048-230 | TXV | 47000 | 16 | 12 | CX35-60C | EL296UH110XV48C | 8309726 |
| XC16S048-230 | TXV | 47500 | 16 | 12 | CX35-60C | EL296UH110XV60C | 8309727 |
| XC16S048-230 | TXV | 47500 | 16.5 | 12.2 | CX35-60C | SL280UH090V60C | 8309731 |
| XC16S048-230 | TXV | 47000 | 16 | 12 | CX35-60C | SL280UH090XV60C | 8309733 |
| XC16S048-230 | TXV | 47000 | 16 | 12 | CX35-60C | SL280UH110V60C | 8309734 |
| XC16S048-230 | TXV | 47000 | 16 | 12 | CX35-60C | SL280UH110XV60C | 8309736 |
| XC16S048-230 | TXV | 47000 | 16 | 12 | CX35-60C | SLO185B124/141V60 | 8309737 |
| XC16S048-230 | TXV | 47000 | 16 | 12 | CX35-60C | SLO185UF124/141V60 | 8309738 |
| XC16S048-230 | TXV | 47000 | 16 | 12 | CX35-60C | SLP98UH090XV48C | 8309739 |
| XC16S048-230 | TXV | 47000 | 16 | 12 | CX35-60C | SLP98UH090XV60C | 8309740 |
| XC16S048-230 | TXV | 47500 | 16 | 12 | CX35-60C | SLP98UH110XV60C | 8309741 |

Ratings AHRI Certified to AHRI Standard 210/240 (with 25 ft. of connecting refrigerant lines); 95°F outdoor air temperature, 80°F db / 67°F wb entering evaporator air.

All ratings include the use of a blower time delay relay (TDR). All Lennox variable-speed furnaces and Air Handlers have time delay capabilities. Other Furnaces and Air Handlers may require an optional time delay relay (**58M81**) for field installation. See furnace or air handler specifications to determine if relay is needed.

Also see Expansion Valve Kit Usage Table.

AHRI SYSTEM MATCHES - NORTH / SOUTH REGIONS

NOTE - For the latest up-to-date system matches please visit the AHRI web site at <http://www.ahridirectory.org>

| Model No. | Expansion Device | Capacity | SEER | EER | Coil or Air Handler | Furnace | AHRI Reference |
|--------------|------------------|----------|------|------|---------------------|--------------------|----------------|
| XC16S048-230 | TXV | 47000 | 14.5 | 11.7 | CX35-60C | | 8309718 |
| XC16S048-230 | TXV | 47000 | 16 | 12 | CX35-60D | EL296UH135XV60D | 8309713 |
| XC16S048-230 | TXV | 47000 | 16 | 12 | CX35-60D | SL280UH135V60D | 8309714 |
| XC16S048-230 | TXV | 46500 | 15.5 | 12.2 | CX35-60D | SLO185B124/141V60 | 8309715 |
| XC16S048-230 | TXV | 46500 | 15.5 | 12.2 | CX35-60D | SLO185UF124/141V60 | 8309716 |
| XC16S048-230 | TXV | 47000 | 16 | 12 | CX35-60D | SLP98UH135XV60D | 8309717 |
| XC16S048-230 | TXV | 46500 | 14.5 | 11.7 | CX35-60D | | 8309712 |
| XC16S048-230 | TXV | 47500 | 16.5 | 12.2 | CX38-62C | SL280UH090V60C | 10559505 |
| XC16S060-230 | TXV | 56000 | 15 | 11.7 | C35-48C | EL180UH090E60C | 8309317 |
| XC16S060-230 | TXV | 55500 | 15 | 11.7 | C35-48C | EL180UH110E60C | 8309318 |
| XC16S060-230 | TXV | 55500 | 15 | 11.7 | C35-48C | EL195UH110XE60C | 8309319 |
| XC16S060-230 | TXV | 55500 | 15 | 11 | C35-48C | EL296UH090XV60C | 8309320 |
| XC16S060-230 | TXV | 55500 | 15 | 11.7 | C35-48C | EL296UH110XE60C | 8309322 |
| XC16S060-230 | TXV | 55500 | 15 | 11 | C35-48C | EL296UH110XV60C | 8309321 |
| XC16S060-230 | TXV | 56000 | 15 | 11.7 | C35-48C | SL280UH090V60C | 8309323 |
| XC16S060-230 | TXV | 56000 | 15 | 11.7 | C35-48C | SL280UH090XV60C | 8309324 |
| XC16S060-230 | TXV | 55500 | 15 | 11 | C35-48C | SL280UH110V60C | 8309325 |
| XC16S060-230 | TXV | 55500 | 15 | 11 | C35-48C | SL280UH110XV60C | 8309326 |
| XC16S060-230 | TXV | 55500 | 15 | 11 | C35-48C | SLP98UH090XV60C | 8309327 |
| XC16S060-230 | TXV | 55500 | 15 | 11 | C35-48C | SLP98UH110XV60C | 8309328 |
| XC16S060-230 | TXV | 55500 | 14 | 11 | C35-48C | | 8309329 |
| XC16S060-230 | TXV | 56500 | 15 | 12 | C35-49C | EL180UH090E60C | 8309330 |
| XC16S060-230 | TXV | 56500 | 15 | 12 | C35-49C | EL180UH110E60C | 8309331 |
| XC16S060-230 | TXV | 56500 | 15 | 12 | C35-49C | EL195UH110XE60C | 8309332 |
| XC16S060-230 | TXV | 56500 | 15 | 11 | C35-49C | EL296UH090XV60C | 8309333 |
| XC16S060-230 | TXV | 56500 | 15 | 12 | C35-49C | EL296UH110XE60C | 8309335 |
| XC16S060-230 | TXV | 56500 | 15 | 11.7 | C35-49C | EL296UH110XV60C | 8309334 |
| XC16S060-230 | TXV | 56500 | 15 | 11.7 | C35-49C | SL280UH090V60C | 8309336 |
| XC16S060-230 | TXV | 56500 | 15 | 11.7 | C35-49C | SL280UH090XV60C | 8309337 |
| XC16S060-230 | TXV | 56500 | 15 | 11.7 | C35-49C | SL280UH110V60C | 8309338 |
| XC16S060-230 | TXV | 56500 | 15 | 11.7 | C35-49C | SL280UH110XV60C | 8309339 |
| XC16S060-230 | TXV | 56500 | 15 | 11 | C35-49C | SLP98UH090XV60C | 8309340 |
| XC16S060-230 | TXV | 56000 | 15 | 11 | C35-49C | SLP98UH110XV60C | 8309341 |
| XC16S060-230 | TXV | 56500 | 14 | 11 | C35-49C | | 8309342 |
| XC16S060-230 | TXV | 54000 | 14.5 | 11 | C35-50/60C | CBWMV-60C-120 | 8309343 |
| XC16S060-230 | TXV | 55000 | 15 | 11.7 | C35-50/60C | EL180UH090E60C | 8309344 |
| XC16S060-230 | TXV | 55000 | 14.5 | 11.7 | C35-50/60C | EL180UH110E60C | 8309345 |
| XC16S060-230 | TXV | 55000 | 14.5 | 11.7 | C35-50/60C | EL180UH110XE60C | 8309346 |
| XC16S060-230 | TXV | 55000 | 15 | 11.7 | C35-50/60C | EL195UH110XE60C | 8309347 |
| XC16S060-230 | TXV | 55000 | 14.5 | 11 | C35-50/60C | EL296UH090XV60C | 8309348 |
| XC16S060-230 | TXV | 55000 | 15 | 11.7 | C35-50/60C | EL296UH110XE60C | 8309350 |
| XC16S060-230 | TXV | 55000 | 14.5 | 11 | C35-50/60C | EL296UH110XV60C | 8309349 |
| XC16S060-230 | TXV | 55000 | 14.5 | 11 | C35-50/60C | SL280UH090V60C | 8309352 |
| XC16S060-230 | TXV | 55000 | 15 | 11 | C35-50/60C | SL280UH090XV60C | 8309351 |
| XC16S060-230 | TXV | 55000 | 14.5 | 11 | C35-50/60C | SL280UH110V60C | 8309353 |
| XC16S060-230 | TXV | 54500 | 14.5 | 11 | C35-50/60C | SL280UH110XV60C | 8309354 |
| XC16S060-230 | TXV | 55000 | 14.5 | 11 | C35-50/60C | SLP98UH090XV60C | 8309355 |
| XC16S060-230 | TXV | 55000 | 14.5 | 11 | C35-50/60C | SLP98UH110XV60C | 8309356 |
| XC16S060-230 | TXV | 55000 | 14 | 11 | C35-50/60C | | 8309357 |
| XC16S060-230 | TXV | 57500 | 15.5 | 12.2 | C35-60C | EL180UH090E60C | 8309358 |
| XC16S060-230 | TXV | 57500 | 15.5 | 12.2 | C35-60C | EL180UH110E60C | 8309359 |

Ratings AHRI Certified to AHRI Standard 210/240 (with 25 ft. of connecting refrigerant lines); 95°F outdoor air temperature, 80°F db / 67°F wb entering evaporator air.

All ratings include the use of a blower time delay relay (TDR). All Lennox variable-speed furnaces and Air Handlers have time delay capabilities. Other Furnaces and Air Handlers may require an optional time delay relay (58M81) for field installation. See furnace or air handler specifications to determine if relay is needed.

Also see Expansion Valve Kit Usage Table.

AHRI SYSTEM MATCHES - NORTH / SOUTH REGIONS

NOTE - For the latest up-to-date system matches please visit the AHRI web site at <http://www.ahridirectory.org>

| Model No. | Expansion Device | Capacity | SEER | EER | Coil or Air Handler | Furnace | AHRI Reference |
|--------------|------------------|----------|------|------|---------------------|--------------------|----------------|
| XC16S060-230 | TXV | 57500 | 15.5 | 12.2 | C35-60C | EL180UH110XE60C | 8309360 |
| XC16S060-230 | TXV | 57500 | 15.5 | 12.2 | C35-60C | EL195UH110XE60C | 8309361 |
| XC16S060-230 | TXV | 56500 | 15 | 11.7 | C35-60C | EL296UH090XV60C | 8309362 |
| XC16S060-230 | TXV | 57500 | 15.5 | 12.2 | C35-60C | EL296UH110XE60C | 8309364 |
| XC16S060-230 | TXV | 56500 | 15 | 11.7 | C35-60C | EL296UH110XV60C | 8309363 |
| XC16S060-230 | TXV | 57500 | 16 | 12 | C35-60C | SL280UH090V60C | 8309365 |
| XC16S060-230 | TXV | 57500 | 15.5 | 12 | C35-60C | SL280UH090XV60C | 8309366 |
| XC16S060-230 | TXV | 57500 | 15.5 | 11.7 | C35-60C | SL280UH110V60C | 8309367 |
| XC16S060-230 | TXV | 57500 | 15.5 | 11.7 | C35-60C | SL280UH110XV60C | 8309368 |
| XC16S060-230 | TXV | 57000 | 15 | 11.7 | C35-60C | SLO185UF124/141V60 | 8309369 |
| XC16S060-230 | TXV | 57500 | 15.5 | 11.7 | C35-60C | SLP98UH090XV60C | 8309473 |
| XC16S060-230 | TXV | 57000 | 15.5 | 11.7 | C35-60C | SLP98UH110XV60C | 8309370 |
| XC16S060-230 | TXV | 57500 | 14.5 | 11.7 | C35-60C | | 8309371 |
| XC16S060-230 | TXV | 57000 | 15.5 | 12 | C35-60D | EL180UH135E60D | 8309372 |
| XC16S060-230 | TXV | 57000 | 15 | 11.7 | C35-60D | EL195UH135XE60D | 8309373 |
| XC16S060-230 | TXV | 56500 | 15 | 11.7 | C35-60D | EL296UH135XE60D | 8309375 |
| XC16S060-230 | TXV | 57000 | 15.5 | 11.7 | C35-60D | EL296UH135XV60D | 8309374 |
| XC16S060-230 | TXV | 57000 | 15.5 | 12 | C35-60D | SL280UH135V60D | 8309376 |
| XC16S060-230 | TXV | 57000 | 15 | 11.7 | C35-60D | SLO185B124/141V60 | 8309377 |
| XC16S060-230 | TXV | 56000 | 15 | 11.7 | C35-60D | SLO185UF124/141V60 | 8309378 |
| XC16S060-230 | TXV | 57000 | 15.5 | 12 | C35-60D | SLP98UH135XV60D | 8309379 |
| XC16S060-230 | TXV | 56500 | 14 | 11 | C35-60D | | 8309380 |
| XC16S060-230 | TXV | 56000 | 15.1 | 11.7 | CBA27UHE-060 | | 10259507 |
| XC16S060-230 | TXV | 56500 | 14.5 | 11.7 | CBX25UH-060 | | 7621782 |
| XC16S060-230 | TXV | 56500 | 16 | 12 | CBX25UHV-060 | | 7622709 |
| XC16S060-230 | TXV | 56500 | 15.5 | 12 | CBX27UH-060 | | 7621579 |
| XC16S060-230 | TXV | 56500 | 14.5 | 11.7 | CBX32M-060 | | 7621581 |
| XC16S060-230 | TXV | 56000 | 15.5 | 11.7 | CBX32MV-048 | | 7621583 |
| XC16S060-230 | TXV | 56500 | 15.5 | 11.7 | CBX32MV-060 | | 7621584 |
| XC16S060-230 | TXV | 56500 | 15.5 | 12.2 | CBX32MV-068 | | 7621586 |
| XC16S060-230 | TXV | 55000 | 15 | 11.7 | CBX40UHV-048 | | 7621783 |
| XC16S060-230 | TXV | 55500 | 15 | 11.7 | CBX40UHV-060 | | 7621785 |
| XC16S060-230 | TXV | 54000 | 14.5 | 11 | CH23-65 | EL180UH090E60C | 7621787 |
| XC16S060-230 | TXV | 54000 | 14.5 | 11 | CH23-65 | EL180UH110E60C | 7621788 |
| XC16S060-230 | TXV | 54000 | 14.5 | 11 | CH23-65 | EL195UH110XE60C | 7621587 |
| XC16S060-230 | TXV | 54000 | 14.5 | 11 | CH23-65 | EL296UH090XV60C | 7621589 |
| XC16S060-230 | TXV | 54000 | 14.5 | 11 | CH23-65 | EL296UH110XE60C | 7621790 |
| XC16S060-230 | TXV | 54000 | 14.5 | 11 | CH23-65 | EL296UH110XV60C | 7621591 |
| XC16S060-230 | TXV | 54500 | 15 | 11 | CH23-65 | EL296UH135XV60D | 7621592 |
| XC16S060-230 | TXV | 54500 | 15 | 11 | CH23-65 | SL280UH090V60C | 7621594 |
| XC16S060-230 | TXV | 54000 | 14.5 | 11 | CH23-65 | SL280UH110XV60C | 7621596 |
| XC16S060-230 | TXV | 54500 | 15 | 11 | CH23-65 | SL280UH135V60D | 9150366 |
| XC16S060-230 | TXV | 54000 | 14.5 | 11 | CH23-65 | SLP98UH090XV60C | 7621599 |
| XC16S060-230 | TXV | 54000 | 14.5 | 11 | CH23-65 | SLP98UH110XV60C | 7621601 |
| XC16S060-230 | TXV | 54500 | 15 | 11 | CH23-65 | SLP98UH135XV60D | 7621602 |
| XC16S060-230 | TXV | 54500 | 15 | 11 | CH23-68 | EL180UH135E60D | 7621793 |
| XC16S060-230 | TXV | 57000 | 15 | 11.7 | CH23-68 | EL195UH135XE60D | 7621606 |
| XC16S060-230 | TXV | 54500 | 14.5 | 11 | CH23-68 | EL296UH135XE60D | 7621792 |
| XC16S060-230 | TXV | 57500 | 15.5 | 12 | CH23-68 | EL296UH135XV60D | 7621607 |
| XC16S060-230 | TXV | 57000 | 15 | 11.7 | CH23-68 | SL280UH110V60C | 8703411 |
| XC16S060-230 | TXV | 57000 | 15 | 11.7 | CH23-68 | SL280UH110XV60C | 8703412 |

Ratings AHRI Certified to AHRI Standard 210/240 (with 25 ft. of connecting refrigerant lines); 95°F outdoor air temperature, 80°F db / 67°F wb entering evaporator air.

All ratings include the use of a blower time delay relay (TDR). All Lennox variable-speed furnaces and Air Handlers have time delay capabilities. Other Furnaces and Air Handlers may require an optional time delay relay (**58M81**) for field installation. See furnace or air handler specifications to determine if relay is needed.

Also see Expansion Valve Kit Usage Table.

AHRI SYSTEM MATCHES - NORTH / SOUTH REGIONS

NOTE - For the latest up-to-date system matches please visit the AHRI web site at <http://www.ahridirectory.org>

| Model No. | Expansion Device | Capacity | SEER | EER | Coil or Air Handler | Furnace | AHRI Reference |
|--------------|------------------|----------|-------|------|---------------------|-----------------|----------------|
| XC16S060-230 | TXV | 57500 | 15.5 | 12 | CH23-68 | SL280UH135V60D | 7621609 |
| XC16S060-230 | TXV | 57000 | 15.5 | 12 | CH23-68 | SLP98UH135XV60D | 7621610 |
| XC16S060-230 | TXV | 57500 | 14.5 | 11.7 | CH23-68 | | 7621604 |
| XC16S060-230 | TXV | 56000 | 15 | 11.7 | CH33-50/60C | EL180UH090E60C | 7621798 |
| XC16S060-230 | TXV | 56000 | 15 | 11.7 | CH33-50/60C | EL180UH110E60C | 7621800 |
| XC16S060-230 | TXV | 56000 | 15 | 11.7 | CH33-50/60C | EL180UH110XE60C | 7621801 |
| XC16S060-230 | TXV | 56000 | 15 | 11.7 | CH33-50/60C | EL195UH110XE60C | 7621616 |
| XC16S060-230 | TXV | 56000 | 15 | 11 | CH33-50/60C | EL296UH090XV60C | 7621617 |
| XC16S060-230 | TXV | 56000 | 15 | 11.7 | CH33-50/60C | EL296UH110XE60C | 7621803 |
| XC16S060-230 | TXV | 56000 | 15 | 11 | CH33-50/60C | EL296UH110XV60C | 7621619 |
| XC16S060-230 | TXV | 56000 | 15 | 11 | CH33-50/60C | SL280UH090V60C | 7621620 |
| XC16S060-230 | TXV | 56000 | 15 | 11 | CH33-50/60C | SL280UH090XV60C | 7621796 |
| XC16S060-230 | TXV | 56000 | 14.5 | 11 | CH33-50/60C | SL280UH110V60C | 7621622 |
| XC16S060-230 | TXV | 55500 | 15 | 11.7 | CH33-50/60C | SL280UH110XV60C | 7621795 |
| XC16S060-230 | TXV | 56000 | 15 | 11 | CH33-50/60C | SLP98UH090XV60C | 7621624 |
| XC16S060-230 | TXV | 56000 | 15 | 11 | CH33-50/60C | SLP98UH110XV60C | 7621625 |
| XC16S060-230 | TXV | 56000 | 14 | 11 | CH33-50/60C | | 7621612 |
| XC16S060-230 | TXV | 56000 | 15 | 11.7 | CH33-60D | CBWMV-60C-100 | 7621629 |
| XC16S060-230 | TXV | 56000 | 15 | 11 | CH33-60D | EL195UH135XE60D | 7621631 |
| XC16S060-230 | TXV | 56000 | 15 | 11.7 | CH33-60D | EL296UH135XV60D | 7621632 |
| XC16S060-230 | TXV | 56000 | 15 | 11.7 | CH33-60D | SL280UH135V60D | 7621634 |
| XC16S060-230 | TXV | 56000 | 15.5 | 11.7 | CH33-60D | SLP98UH135XV60D | 7621636 |
| XC16S060-230 | TXV | 55500 | 14 | 11 | CH33-60D | | 7621627 |
| XC16S060-230 | TXV | 56500 | 15.5 | 11.7 | CH33-62D | EL180UH135E60D | 7621806 |
| XC16S060-230 | TXV | 56500 | 15 | 11.7 | CH33-62D | EL195UH135XE60D | 7621639 |
| XC16S060-230 | TXV | 56500 | 15 | 11.7 | CH33-62D | EL296UH135XE60D | 7621804 |
| XC16S060-230 | TXV | 56500 | 15 | 11.7 | CH33-62D | EL296UH135XV60D | 7621641 |
| XC16S060-230 | TXV | 56000 | 15 | 12 | CH33-62D | SL280UH090V60C | 7621643 |
| XC16S060-230 | TXV | 56500 | 15.5 | 11.7 | CH33-62D | SL280UH090XV60C | 7621808 |
| XC16S060-230 | TXV | 56000 | 15 | 12 | CH33-62D | SL280UH110V60C | 7621645 |
| XC16S060-230 | TXV | 56500 | 15.5 | 11.7 | CH33-62D | SL280UH135V60D | 7621646 |
| XC16S060-230 | TXV | 56500 | 15.5 | 11.7 | CH33-62D | SLP98UH135XV60D | 7621648 |
| XC16S060-230 | TXV | 56000 | 14 | 11 | CH33-62D | | 7621638 |
| XC16S060-230 | TXV | 57000 | 15.5 | 12 | CH35-51C | CBWMV-60C-100 | 7623755 |
| XC16S060-230 | TXV | 56500 | 15 | 11.5 | CH35-51C | CBWMV-60C-120 | 7623716 |
| XC16S060-230 | TXV | 57000 | 15.5 | 12 | CH35-51C | EL180UH090E60C | 7623718 |
| XC16S060-230 | TXV | 56500 | 15.25 | 12 | CH35-51C | EL180UH110E60C | 7623719 |
| XC16S060-230 | TXV | 56500 | 15.25 | 12 | CH35-51C | EL180UH110XE60C | 7623721 |
| XC16S060-230 | TXV | 56500 | 15.25 | 12 | CH35-51C | EL195UH110XE60C | 7623723 |
| XC16S060-230 | TXV | 56500 | 15 | 11 | CH35-51C | EL296UH090XV60C | 7623724 |
| XC16S060-230 | TXV | 56500 | 15.25 | 12 | CH35-51C | EL296UH110XE60C | 7623728 |
| XC16S060-230 | TXV | 56500 | 15.25 | 11.5 | CH35-51C | EL296UH110XV60C | 7623726 |
| XC16S060-230 | TXV | 57000 | 15.25 | 11.7 | CH35-51C | SL280UH090V60C | 7623729 |
| XC16S060-230 | TXV | 57000 | 15.25 | 11.7 | CH35-51C | SL280UH090XV60C | 7623731 |
| XC16S060-230 | TXV | 56500 | 15 | 11.5 | CH35-51C | SL280UH110V60C | 7623732 |
| XC16S060-230 | TXV | 56000 | 15.25 | 11.7 | CH35-51C | SL280UH110XV60C | 7623734 |
| XC16S060-230 | TXV | 56500 | 15.25 | 11 | CH35-51C | SLP98UH090XV60C | 7623736 |
| XC16S060-230 | TXV | 56500 | 15.25 | 11.5 | CH35-51C | SLP98UH110XV60C | 7623737 |
| XC16S060-230 | TXV | 56500 | 14.5 | 11.5 | CH35-51C | | 7623754 |
| XC16S060-230 | TXV | 56500 | 15.5 | 11.7 | CH35-60D | EL180UH135E60D | 7623741 |
| XC16S060-230 | TXV | 56500 | 15 | 11.7 | CH35-60D | EL195UH135XE60D | 7623742 |

Ratings AHRI Certified to AHRI Standard 210/240 (with 25 ft. of connecting refrigerant lines); 95°F outdoor air temperature, 80°F db / 67°F wb entering evaporator air.

All ratings include the use of a blower time delay relay (TDR). All Lennox variable-speed furnaces and Air Handlers have time delay capabilities. Other Furnaces and Air Handlers may require an optional time delay relay (58M81) for field installation. See furnace or air handler specifications to determine if relay is needed.

Also see Expansion Valve Kit Usage Table.

AHRI SYSTEM MATCHES - NORTH / SOUTH REGIONS

NOTE - For the latest up-to-date system matches please visit the AHRI web site at <http://www.ahridirectory.org>

| Model No. | Expansion Device | Capacity | SEER | EER | Coil or Air Handler | Furnace | AHRI Reference |
|--------------|------------------|----------|-------|------|---------------------|-----------------|----------------|
| XC16S060-230 | TXV | 56500 | 15 | 11.7 | CH35-60D | EL296UH135XE60D | 7623746 |
| XC16S060-230 | TXV | 56500 | 15.5 | 11.7 | CH35-60D | EL296UH135XV60D | 7623744 |
| XC16S060-230 | TXV | 56500 | 15.5 | 11.7 | CH35-60D | SL280UH135V60D | 7623747 |
| XC16S060-230 | TXV | 56500 | 15.5 | 11.7 | CH35-60D | SLP98UH135XV60D | 7623749 |
| XC16S060-230 | TXV | 56000 | 14.25 | 11.5 | CH35-60D | | 7623739 |
| XC16S060-230 | TXV | 54000 | 14.5 | 11 | CR33-50/60 | EL296DF110XV60C | 9114303 |
| XC16S060-230 | TXV | 55000 | 14.5 | 11 | CR33-50/60 | SL280DF090V60C | 9105523 |
| XC16S060-230 | TXV | 55000 | 14.5 | 11 | CR33-50/60 | SL280DF110V60C | 9105524 |
| XC16S060-230 | TXV | 54000 | 14.5 | 11 | CR33-50/60 | SLP98DF090XV60C | 7621809 |
| XC16S060-230 | TXV | 54000 | 14.5 | 11 | CR33-50/60 | SLP98DF110XV60C | 7621812 |
| XC16S060-230 | TXV | 54500 | 14.5 | 11.5 | CR33-60 | EL195DF110XE60C | 7622671 |
| XC16S060-230 | TXV | 54500 | 14.5 | 11 | CR33-60 | EL296DF090XV60C | 7621652 |
| XC16S060-230 | TXV | 54500 | 14.5 | 11 | CR33-60 | EL296DF110XV60C | 7621653 |
| XC16S060-230 | TXV | 55000 | 14.5 | 11 | CR33-60 | SL280DF090V60C | 9105525 |
| XC16S060-230 | TXV | 55000 | 14.5 | 11 | CR33-60 | SL280DF110V60C | 9105526 |
| XC16S060-230 | TXV | 54000 | 14.5 | 11 | CR33-60 | SLP98DF090XV60C | 7621811 |
| XC16S060-230 | TXV | 54000 | 14.5 | 11 | CR33-60 | SLP98DF110XV60C | 7621814 |
| XC16S060-230 | TXV | 55000 | 14 | 11 | CR33-60 | | 7621650 |
| XC16S060-230 | TXV | 56000 | 15 | 11.7 | CX35-48C | EL180UH090E60C | 8309475 |
| XC16S060-230 | TXV | 55500 | 15 | 11.7 | CX35-48C | EL180UH110E60C | 8309476 |
| XC16S060-230 | TXV | 55500 | 15 | 11.7 | CX35-48C | EL180UH110XE60C | 8309477 |
| XC16S060-230 | TXV | 55500 | 15 | 11.7 | CX35-48C | EL195UH110XE60C | 8309478 |
| XC16S060-230 | TXV | 55500 | 15 | 11 | CX35-48C | EL296UH090XV60C | 8309479 |
| XC16S060-230 | TXV | 55500 | 15 | 11.7 | CX35-48C | EL296UH110XE60C | 8309481 |
| XC16S060-230 | TXV | 55500 | 15 | 11 | CX35-48C | EL296UH110XV60C | 8309480 |
| XC16S060-230 | TXV | 56000 | 15 | 11.5 | CX35-48C | SL280UH090V60C | 8309482 |
| XC16S060-230 | TXV | 56000 | 15 | 11.5 | CX35-48C | SL280UH090XV60C | 8309483 |
| XC16S060-230 | TXV | 55500 | 15 | 11 | CX35-48C | SL280UH110V60C | 8309484 |
| XC16S060-230 | TXV | 55500 | 15 | 11 | CX35-48C | SL280UH110XV60C | 8309485 |
| XC16S060-230 | TXV | 55500 | 15 | 11 | CX35-48C | SLP98UH090XV60C | 8309486 |
| XC16S060-230 | TXV | 55500 | 15 | 11 | CX35-48C | SLP98UH110XV60C | 8309487 |
| XC16S060-230 | TXV | 55500 | 14 | 11 | CX35-48C | | 8309474 |
| XC16S060-230 | TXV | 56500 | 15 | 12 | CX35-49C | EL180UH090E60C | 8309489 |
| XC16S060-230 | TXV | 56500 | 15 | 12 | CX35-49C | EL180UH110E60C | 8309490 |
| XC16S060-230 | TXV | 56500 | 15 | 12 | CX35-49C | EL180UH110XE60C | 8309491 |
| XC16S060-230 | TXV | 56500 | 15 | 12 | CX35-49C | EL195UH110XE60C | 8309492 |
| XC16S060-230 | TXV | 56500 | 15 | 11 | CX35-49C | EL296UH090XV60C | 8309493 |
| XC16S060-230 | TXV | 56500 | 15 | 12 | CX35-49C | EL296UH110XE60C | 8309495 |
| XC16S060-230 | TXV | 56000 | 15 | 11 | CX35-49C | EL296UH110XV60C | 8309494 |
| XC16S060-230 | TXV | 56500 | 15 | 11.7 | CX35-49C | SL280UH090V60C | 8309496 |
| XC16S060-230 | TXV | 56500 | 15 | 11.7 | CX35-49C | SL280UH090XV60C | 8309497 |
| XC16S060-230 | TXV | 56500 | 15 | 11.7 | CX35-49C | SL280UH110V60C | 8309498 |
| XC16S060-230 | TXV | 56500 | 15 | 11.7 | CX35-49C | SL280UH110XV60C | 8309499 |
| XC16S060-230 | TXV | 56500 | 15 | 11 | CX35-49C | SLP98UH090XV60C | 8309500 |
| XC16S060-230 | TXV | 56000 | 15 | 11 | CX35-49C | SLP98UH110XV60C | 8309501 |
| XC16S060-230 | TXV | 56500 | 14 | 11 | CX35-49C | | 8309488 |
| XC16S060-230 | TXV | 54000 | 14.5 | 11 | CX35-50/60C | CBWMV-60C-120 | 8309502 |
| XC16S060-230 | TXV | 55000 | 15 | 11.7 | CX35-50/60C | EL180UH090E60C | 8309503 |
| XC16S060-230 | TXV | 55000 | 14.5 | 11.7 | CX35-50/60C | EL180UH110E60C | 8309504 |
| XC16S060-230 | TXV | 55000 | 14.5 | 11.7 | CX35-50/60C | EL180UH110XE60C | 8309505 |
| XC16S060-230 | TXV | 55000 | 15 | 11.7 | CX35-50/60C | EL195UH110XE60C | 8309506 |

Ratings AHRI Certified to AHRI Standard 210/240 (with 25 ft. of connecting refrigerant lines); 95°F outdoor air temperature, 80°F db / 67°F wb entering evaporator air.

All ratings include the use of a blower time delay relay (TDR). All Lennox variable-speed furnaces and Air Handlers have time delay capabilities. Other Furnaces and Air Handlers may require an optional time delay relay (**58M81**) for field installation. See furnace or air handler specifications to determine if relay is needed.

Also see Expansion Valve Kit Usage Table.

AHRI SYSTEM MATCHES - NORTH / SOUTH REGIONS

NOTE - For the latest up-to-date system matches please visit the AHRI web site at <http://www.ahridirectory.org>

| Model No. | Expansion Device | Capacity | SEER | EER | Coil or Air Handler | Furnace | AHRI Reference |
|--------------|------------------|----------|------|------|---------------------|--------------------|----------------|
| XC16S060-230 | TXV | 55000 | 14.5 | 11 | CX35-50/60C | EL296UH090XV60C | 8309507 |
| XC16S060-230 | TXV | 55000 | 15 | 11.7 | CX35-50/60C | EL296UH110XE60C | 8309509 |
| XC16S060-230 | TXV | 55000 | 14.5 | 11 | CX35-50/60C | EL296UH110XV60C | 8309508 |
| XC16S060-230 | TXV | 55000 | 14.5 | 11 | CX35-50/60C | SL280UH090V60C | 8309511 |
| XC16S060-230 | TXV | 55000 | 15 | 11 | CX35-50/60C | SL280UH090XV60C | 8309510 |
| XC16S060-230 | TXV | 55000 | 14.5 | 11 | CX35-50/60C | SL280UH110V60C | 8309512 |
| XC16S060-230 | TXV | 54500 | 14.5 | 11 | CX35-50/60C | SL280UH110XV60C | 8309513 |
| XC16S060-230 | TXV | 55000 | 14.5 | 11 | CX35-50/60C | SLP98UH090XV60C | 8309514 |
| XC16S060-230 | TXV | 55000 | 14.5 | 11 | CX35-50/60C | SLP98UH110XV60C | 8309515 |
| XC16S060-230 | TXV | 57500 | 15.5 | 12.2 | CX35-60C | EL180UH090E60C | 8309517 |
| XC16S060-230 | TXV | 57500 | 15.5 | 12.2 | CX35-60C | EL180UH110E60C | 8309518 |
| XC16S060-230 | TXV | 57500 | 15.5 | 12.2 | CX35-60C | EL180UH110XE60C | 8309519 |
| XC16S060-230 | TXV | 57500 | 15.5 | 12.2 | CX35-60C | EL195UH110XE60C | 8309520 |
| XC16S060-230 | TXV | 57500 | 15.5 | 11.7 | CX35-60C | EL296UH090XV60C | 8309521 |
| XC16S060-230 | TXV | 57500 | 15.5 | 12.2 | CX35-60C | EL296UH110XE60C | 8309523 |
| XC16S060-230 | TXV | 57000 | 15.5 | 11.7 | CX35-60C | EL296UH110XV60C | 8309522 |
| XC16S060-230 | TXV | 57500 | 16 | 12 | CX35-60C | SL280UH090V60C | 8309524 |
| XC16S060-230 | TXV | 57500 | 15.5 | 12 | CX35-60C | SL280UH090XV60C | 8309525 |
| XC16S060-230 | TXV | 57500 | 15.5 | 11.7 | CX35-60C | SL280UH110V60C | 8309526 |
| XC16S060-230 | TXV | 57500 | 15 | 11.7 | CX35-60C | SL280UH110XV60C | 8309527 |
| XC16S060-230 | TXV | 57000 | 15 | 11.7 | CX35-60C | SLO185UF124/141V60 | 8309528 |
| XC16S060-230 | TXV | 57500 | 15.5 | 11.7 | CX35-60C | SLP98UH090XV60C | 8309529 |
| XC16S060-230 | TXV | 57000 | 15.5 | 11.7 | CX35-60C | SLP98UH110XV60C | 8309530 |
| XC16S060-230 | TXV | 57500 | 14.5 | 11.7 | CX35-60C | | 8309516 |
| XC16S060-230 | TXV | 57000 | 15.5 | 12 | CX35-60D | EL180UH135E60D | 8309532 |
| XC16S060-230 | TXV | 57000 | 15 | 11.7 | CX35-60D | EL195UH135XE60D | 8309533 |
| XC16S060-230 | TXV | 57000 | 15 | 11.7 | CX35-60D | EL296UH135XE60D | 8309535 |
| XC16S060-230 | TXV | 57000 | 15.5 | 11.7 | CX35-60D | EL296UH135XV60D | 8309534 |
| XC16S060-230 | TXV | 57000 | 15.5 | 12 | CX35-60D | SL280UH135V60D | 8309536 |
| XC16S060-230 | TXV | 57000 | 15 | 11.7 | CX35-60D | SLO185B124/141V60 | 8309537 |
| XC16S060-230 | TXV | 56000 | 15 | 11.7 | CX35-60D | SLO185UF124/141V60 | 8309538 |
| XC16S060-230 | TXV | 57000 | 15.5 | 12 | CX35-60D | SLP98UH135XV60D | 8309539 |
| XC16S060-230 | TXV | 56500 | 14 | 11 | CX35-60D | | 8309531 |
| XC16S060-230 | TXV | 57500 | 16 | 12 | CX38-62C | SL280UH090V60C | 10559616 |

Ratings AHRI Certified to AHRI Standard 210/240 (with 25 ft. of connecting refrigerant lines); 95°F outdoor air temperature, 80°F db / 67°F wb entering evaporator air.

All ratings include the use of a blower time delay relay (TDR). All Lennox variable-speed furnaces and Air Handlers have time delay capabilities. Other Furnaces and Air Handlers may require an optional time delay relay (**58M81**) for field installation. See furnace or air handler specifications to determine if relay is needed.

Also see Expansion Valve Kit Usage Table.

AHRI SYSTEM MATCHES - SOUTHWEST REGION

NOTE - For the latest up-to-date system matches please visit the AHRI web site at <http://www.ahridirectory.org>

| Model No. | Expansion Device | Capacity | SEER | EER | Coil or Air Handler | Furnace | AHRI Reference |
|--------------|------------------|----------|------|------|---------------------|-----------------|----------------|
| XC16-024-230 | TXV | 23200 | 15 | 12.2 | C35-18/24B | EL195UH030XE24B | 8604043 |
| XC16-024-230 | TXV | 23200 | 15 | 12.2 | C35-18/24B | EL195UH045XE24B | 8604042 |
| XC16-024-230 | TXV | 24800 | 16 | 13 | C35-24A | SL280UH070V36A | 8256126 |
| XC16-024-230 | TXV | 23800 | 15.5 | 12.5 | C35-24B | EL195UH030XE24B | 8595376 |
| XC16-024-230 | TXV | 23800 | 15.5 | 12.5 | C35-24B | EL195UH045XE24B | 8595321 |
| XC16-024-230 | TXV | 24800 | 16 | 13 | C35-24B | EL296UH045XV36B | 8256125 |
| XC16-024-230 | TXV | 24600 | 15.1 | 13 | C35-24B | SL280UH090V36B | 8256127 |
| XC16-024-230 | TXV | 24600 | 16 | 13 | C35-24B | SLP98UH070XV36B | 8256124 |
| XC16-024-230 | TXV | 24600 | 16 | 13 | C35-30/36A | SL280UH070V36A | 8256138 |
| XC16-024-230 | TXV | 24800 | 16 | 13 | C35-30/36A | SL280UH070XV36A | 8256134 |
| XC16-024-230 | TXV | 24600 | 16 | 13 | C35-30/36B | CBWMV-24B-040 | 8256136 |
| XC16-024-230 | TXV | 23800 | 15.5 | 12.5 | C35-30/36B | EL195UH030XE24B | 8595377 |
| XC16-024-230 | TXV | 23800 | 15.5 | 12.5 | C35-30/36B | EL195UH045XE24B | 8595322 |
| XC16-024-230 | TXV | 24600 | 16 | 13 | C35-30/36B | EL296UH045XV36B | 8256139 |
| XC16-024-230 | TXV | 24400 | 15.1 | 13 | C35-30/36B | SL280UH090V36B | 8256133 |
| XC16-024-230 | TXV | 24600 | 16 | 13 | C35-30/36B | SLP98UH070XV36B | 8256137 |
| XC16-024-230 | TXV | 24600 | 16 | 13.5 | C35-30/36C | SLP98UH090XV36C | 8256135 |
| XC16-024-230 | TXV | 25200 | 17 | 13 | C35-30A | SL280UH070V36A | 8256130 |
| XC16-024-230 | TXV | 25400 | 17 | 13.5 | C35-30A | SL280UH070XV36A | 8256128 |
| XC16-024-230 | TXV | 23800 | 16 | 12.5 | C35-30B | EL195UH030XE24B | 8595380 |
| XC16-024-230 | TXV | 23800 | 16 | 12.5 | C35-30B | EL195UH045XE24B | 8595325 |
| XC16-024-230 | TXV | 25200 | 16 | 13.5 | C35-30B | EL296UH045XV36B | 8256131 |
| XC16-024-230 | TXV | 25000 | 16 | 13.5 | C35-30B | SL280UH090V36B | 8256132 |
| XC16-024-230 | TXV | 25200 | 16 | 13.5 | C35-30B | SLP98UH070XV36B | 8256129 |
| XC16-024-230 | TXV | 25400 | 17 | 13.5 | C35-36A | SL280UH070V36A | 8256145 |
| XC16-024-230 | TXV | 25400 | 17 | 13.5 | C35-36A | SL280UH070XV36A | 8256142 |
| XC16-024-230 | TXV | 24800 | 14.5 | 12.2 | C35-36A | | 8256140 |
| XC16-024-230 | TXV | 23800 | 16 | 13 | C35-36B | EL195UH030XE24B | 8595381 |
| XC16-024-230 | TXV | 23800 | 16 | 13 | C35-36B | EL195UH045XE24B | 8595326 |
| XC16-024-230 | TXV | 25400 | 16 | 13.5 | C35-36B | EL296UH045XV36B | 8256146 |
| XC16-024-230 | TXV | 25200 | 16 | 13.5 | C35-36B | SL280UH090V36B | 8256143 |
| XC16-024-230 | TXV | 25200 | 16 | 13.5 | C35-36B | SLP98UH070XV36B | 8256144 |
| XC16-024-230 | TXV | 24800 | 14.5 | 12.2 | C35-36B | | 8256141 |
| XC16-024-230 | TXV | 24000 | 16 | 13 | CBA27UHE-024 | | 10259508 |
| XC16-024-230 | TXV | 24000 | 17 | 13 | CBA27UHE-030 | | 10259495 |
| XC16-024-230 | TXV | 24000 | 16 | 13 | CBX25UHV-024 | | 6970136 |
| XC16-024-230 | TXV | 25000 | 16 | 13.5 | CBX27UH-024 | | 6742502 |
| XC16-024-230 | TXV | 25200 | 17 | 13.5 | CBX27UH-030 | | 6742503 |
| XC16-024-230 | TXV | 24400 | 15.5 | 12.2 | CBX32MV-018/024 | | 6742505 |
| XC16-024-230 | TXV | 24600 | 15.5 | 12.5 | CBX32MV-024/030 | | 6742506 |
| XC16-024-230 | TXV | 24800 | 16 | 12.5 | CBX40UHV-024 | | 6742599 |
| XC16-024-230 | TXV | 24800 | 15.5 | 13 | CBX40UHV-030 | | 6742600 |
| XC16-024-230 | TXV | 23600 | 15.5 | 13 | CH23-31 | EL296UH070XV36B | 6742601 |
| XC16-024-230 | TXV | 23600 | 15.1 | 12.5 | CH23-31 | SL280UH070V36A | 6742508 |
| XC16-024-230 | TXV | 23800 | 16 | 12.5 | CH23-31 | SL280UH070XV36A | 6742602 |
| XC16-024-230 | TXV | 23400 | 15 | 12.5 | CH23-31 | SL280UH090V36B | 6742509 |
| XC16-024-230 | TXV | 23600 | 15.5 | 13 | CH23-31 | SLP98UH070XV36B | 6742510 |
| XC16-024-230 | TXV | 23800 | 15.5 | 12.5 | CH23-41 | EL195UH030XE24B | 8595382 |
| XC16-024-230 | TXV | 23800 | 15.5 | 12.5 | CH23-41 | EL195UH045XE24B | 8595329 |
| XC16-024-230 | TXV | 24600 | 16 | 13 | CH23-41 | EL296UH070XV36B | 6742603 |
| XC16-024-230 | TXV | 24800 | 16 | 13 | CH23-41 | SL280UH070V36A | 6742512 |

Ratings AHRI Certified to AHRI Standard 210/240 (with 25 ft. of connecting refrigerant lines); 95°F outdoor air temperature, 80°F db / 67°F wb entering evaporator air. All ratings include the use of a blower time delay relay (TDR). All Lennox variable-speed furnaces and Air Handlers have time delay capabilities. Other Furnaces and Air Handlers may require an optional time delay relay (**58M81**) for field installation. See furnace or air handler specifications to determine if relay is needed. Also see Expansion Valve Kit Usage Table.

AHRI SYSTEM MATCHES - SOUTHWEST REGION

NOTE - For the latest up-to-date system matches please visit the AHRI web site at <http://www.ahridirectory.org>

| Model No. | Expansion Device | Capacity | SEER | EER | Coil or Air Handler | Furnace | AHRI Reference |
|--------------|------------------|----------|------|------|---------------------|-----------------|----------------|
| XC16-024-230 | TXV | 24800 | 16 | 13 | CH23-41 | SL280UH070XV36A | 6742604 |
| XC16-024-230 | TXV | 24600 | 15.1 | 13 | CH23-41 | SL280UH090V36B | 6742513 |
| XC16-024-230 | TXV | 24800 | 15.1 | 13 | CH23-41 | SL280UH090V48B | 6742605 |
| XC16-024-230 | TXV | 24600 | 16 | 13 | CH23-41 | SLP98UH070XV36B | 6742514 |
| XC16-024-230 | TXV | 24200 | 16 | 13 | CH33-19 | SL280UH070V36A | 6742516 |
| XC16-024-230 | TXV | 24400 | 16 | 13 | CH33-19 | SL280UH070XV36A | 6742606 |
| XC16-024-230 | TXV | 24200 | 16 | 12.5 | CH33-24/30 | SL280UH070V36A | 6742518 |
| XC16-024-230 | TXV | 23800 | 15.5 | 12.5 | CH33-25 | EL195UH030XE24B | 8595385 |
| XC16-024-230 | TXV | 23800 | 15.5 | 12.5 | CH33-25 | EL195UH045XE24B | 8595330 |
| XC16-024-230 | TXV | 24600 | 16 | 13 | CH33-25 | EL296UH045XV36B | 6742522 |
| XC16-024-230 | TXV | 24600 | 16 | 13 | CH33-25 | EL296UH070XV36B | 6742607 |
| XC16-024-230 | TXV | 24800 | 16 | 13 | CH33-25 | SL280UH070V36A | 6742520 |
| XC16-024-230 | TXV | 25000 | 16 | 13 | CH33-25 | SL280UH070XV36A | 6742608 |
| XC16-024-230 | TXV | 24400 | 15.1 | 13 | CH33-25 | SL280UH090V36B | 6742523 |
| XC16-024-230 | TXV | 24800 | 15.1 | 13 | CH33-25 | SL280UH090V48B | 6742609 |
| XC16-024-230 | TXV | 24600 | 16 | 13 | CH33-25 | SLP98UH070XV36B | 6742524 |
| XC16-024-230 | TXV | 23800 | 16 | 12.5 | CH33-31 | EL195UH030XE24B | 8595386 |
| XC16-024-230 | TXV | 23800 | 16 | 12.5 | CH33-31 | EL195UH045XE24B | 8595332 |
| XC16-024-230 | TXV | 25200 | 16 | 13.5 | CH33-31 | EL296UH045XV36B | 6742528 |
| XC16-024-230 | TXV | 25200 | 17 | 13.5 | CH33-31 | EL296UH070XV36B | 6742610 |
| XC16-024-230 | TXV | 25200 | 16 | 13 | CH33-31 | SL280UH070V36A | 6742526 |
| XC16-024-230 | TXV | 25400 | 16 | 13 | CH33-31 | SL280UH070XV36A | 6742611 |
| XC16-024-230 | TXV | 25200 | 16 | 13.5 | CH33-31 | SL280UH090V36B | 6742529 |
| XC16-024-230 | TXV | 25400 | 16 | 13 | CH33-31 | SL280UH090V48B | 6742612 |
| XC16-024-230 | TXV | 25200 | 16 | 13.5 | CH33-31 | SLP98UH070XV36B | 6742530 |
| XC16-024-230 | TXV | 24800 | 14.5 | 12.2 | CH33-31B | | 6742527 |
| XC16-024-230 | TXV | 23800 | 15.5 | 12.5 | CH33-36 | EL195UH030XE24B | 8595389 |
| XC16-024-230 | TXV | 23800 | 15.5 | 12.5 | CH33-36 | EL195UH045XE24B | 8595333 |
| XC16-024-230 | TXV | 24600 | 16 | 13 | CH33-36 | EL296UH045XV36B | 6742534 |
| XC16-024-230 | TXV | 24600 | 16 | 13 | CH33-36 | EL296UH070XV36B | 6742613 |
| XC16-024-230 | TXV | 24600 | 16 | 13 | CH33-36 | SL280UH070V36A | 6742532 |
| XC16-024-230 | TXV | 24600 | 16 | 13 | CH33-36 | SL280UH070XV36A | 6742614 |
| XC16-024-230 | TXV | 24400 | 15.1 | 13 | CH33-36 | SL280UH090V36B | 6742535 |
| XC16-024-230 | TXV | 24600 | 16 | 13 | CH33-36 | SLP98UH070XV36B | 6742536 |
| XC16-024-230 | TXV | 24800 | 16 | 13.5 | CH33-36C | EL296UH090XV36C | 6742615 |
| XC16-024-230 | TXV | 24800 | 16.5 | 13.5 | CH33-36C | SLP98UH090XV36C | 6742616 |
| XC16-024-230 | TXV | 24000 | 16 | 13 | CH35-18A | SL280UH070V36A | 7165584 |
| XC16-024-230 | TXV | 24000 | 16 | 13 | CH35-18A | SL280UH070XV36A | 7165458 |
| XC16-024-230 | TXV | 24000 | 16 | 13 | CH35-24A | SL280UH070V36A | 7165585 |
| XC16-024-230 | TXV | 24000 | 16 | 13 | CH35-24A | SL280UH070XV36A | 7165460 |
| XC16-024-230 | TXV | 23800 | 15.5 | 12.5 | CH35-24B | EL195UH030XE24B | 8595390 |
| XC16-024-230 | TXV | 23800 | 15.5 | 12.5 | CH35-24B | EL195UH045XE24B | 8595334 |
| XC16-024-230 | TXV | 24000 | 16 | 13 | CH35-24B | EL296UH045XV36B | 7165462 |
| XC16-024-230 | TXV | 24000 | 16 | 13 | CH35-24B | EL296UH070XV36B | 7165463 |
| XC16-024-230 | TXV | 24000 | 15.1 | 13 | CH35-24B | SL280UH090V36B | 7165586 |
| XC16-024-230 | TXV | 24000 | 15.1 | 13 | CH35-24B | SL280UH090V48B | 7165464 |
| XC16-024-230 | TXV | 24000 | 16 | 13 | CH35-24B | SLP98UH070XV36B | 7165587 |
| XC16-024-230 | TXV | 24000 | 16 | 13 | CH35-30A | SL280UH070V36A | 7165588 |
| XC16-024-230 | TXV | 24000 | 17 | 13 | CH35-30A | SL280UH070XV36A | 7165466 |
| XC16-024-230 | TXV | 24000 | 14.5 | 12.2 | CH35-30A | | 7165465 |
| XC16-024-230 | TXV | 23800 | 16 | 12.5 | CH35-30B | EL195UH030XE24B | 8595393 |

Ratings AHRI Certified to AHRI Standard 210/240 (with 25 ft. of connecting refrigerant lines); 95°F outdoor air temperature, 80°F db / 67°F wb entering evaporator air.

All ratings include the use of a blower time delay relay (TDR). All Lennox variable-speed furnaces and Air Handlers have time delay capabilities. Other Furnaces and Air Handlers may require an optional time delay relay (**58M81**) for field installation. See furnace or air handler specifications to determine if relay is needed.

Also see Expansion Valve Kit Usage Table.

AHRI SYSTEM MATCHES - SOUTHWEST REGION

NOTE - For the latest up-to-date system matches please visit the AHRI web site at <http://www.ahridirectory.org>

| Model No. | Expansion Device | Capacity | SEER | EER | Coil or Air Handler | Furnace | AHRI Reference |
|--------------|------------------|----------|------|------|---------------------|-----------------|----------------|
| XC16-024-230 | TXV | 23800 | 16 | 12.5 | CH35-30B | EL195UH045XE24B | 8595337 |
| XC16-024-230 | TXV | 24000 | 16 | 13 | CH35-30B | EL296UH045XV36B | 7165468 |
| XC16-024-230 | TXV | 24000 | 17 | 13 | CH35-30B | EL296UH070XV36B | 7165469 |
| XC16-024-230 | TXV | 24000 | 16 | 13 | CH35-30B | SL280UH090V36B | 7165589 |
| XC16-024-230 | TXV | 24000 | 16 | 13 | CH35-30B | SL280UH090V48B | 7165470 |
| XC16-024-230 | TXV | 24000 | 16 | 13 | CH35-30B | SLP98UH070XV36B | 7165590 |
| XC16-024-230 | TXV | 24000 | 14.5 | 12.2 | CH35-30B | | 7165467 |
| XC16-024-230 | TXV | 24000 | 16 | 13 | CH35-36A | SL280UH070V36A | 7165591 |
| XC16-024-230 | TXV | 24000 | 16 | 13 | CH35-36A | SL280UH070XV36A | 7165472 |
| XC16-024-230 | TXV | 23800 | 15.5 | 12.5 | CH35-36B | EL195UH030XE24B | 8595394 |
| XC16-024-230 | TXV | 23800 | 15.5 | 12.5 | CH35-36B | EL195UH045XE24B | 8595338 |
| XC16-024-230 | TXV | 24000 | 16 | 13 | CH35-36B | EL296UH045XV36B | 7165475 |
| XC16-024-230 | TXV | 24000 | 16 | 13 | CH35-36B | EL296UH070XV36B | 7165476 |
| XC16-024-230 | TXV | 24000 | 15.1 | 13 | CH35-36B | SL280UH090V36B | 7165592 |
| XC16-024-230 | TXV | 24000 | 16 | 13 | CH35-36B | SLP98UH070XV36B | 7165593 |
| XC16-024-230 | TXV | 24000 | 16 | 13 | CH35-36C | EL296UH090XV36C | 7165477 |
| XC16-024-230 | TXV | 24000 | 16 | 13 | CH35-36C | SLP98UH090XV36C | 7165478 |
| XC16-024-230 | TXV | 25200 | 17 | 13.5 | CR33-30/36 | EL296DF045XV36B | 7505729 |
| XC16-024-230 | TXV | 25200 | 16 | 13 | CR33-30/36 | EL296DF070XV48B | 6742539 |
| XC16-024-230 | TXV | 25200 | 16 | 13 | CR33-30/36 | SL280DF070V36A | 6742830 |
| XC16-024-230 | TXV | 24600 | 16 | 13.5 | CR33-30/36 | SLP98DF070XV36B | 6742617 |
| XC16-024-230 | TXV | 25000 | 16 | 13.5 | CR33-30/36 | SLP98DF090XV36C | 6742618 |
| XC16-024-230 | TXV | 23600 | 15.1 | 12.5 | CX35-18/24A | SL280UH070V36A | 8256153 |
| XC16-024-230 | TXV | 23800 | 15.1 | 12.5 | CX35-18/24A | SL280UH070XV36A | 8256148 |
| XC16-024-230 | TXV | 23600 | 15 | 12.5 | CX35-18/24B | CBWMV-24B-040 | 8256149 |
| XC16-024-230 | TXV | 23200 | 15 | 12.2 | CX35-18/24B | EL195UH030XE24B | 8595353 |
| XC16-024-230 | TXV | 23200 | 15 | 12.2 | CX35-18/24B | EL195UH045XE24B | 8595298 |
| XC16-024-230 | TXV | 23600 | 15 | 12.5 | CX35-18/24B | EL296UH045XV36B | 8256152 |
| XC16-024-230 | TXV | 23600 | 15.5 | 12.5 | CX35-18/24B | EL296UH070XV36B | 8256147 |
| XC16-024-230 | TXV | 23400 | 14.5 | 12.5 | CX35-18/24B | SL280UH090V36B | 8256150 |
| XC16-024-230 | TXV | 23600 | 15 | 12.5 | CX35-18/24B | SLP98UH070XV36B | 8256151 |
| XC16-024-230 | TXV | 24800 | 16 | 13 | CX35-24A | SL280UH070V36A | 8256158 |
| XC16-024-230 | TXV | 24800 | 16 | 13 | CX35-24A | SL280UH070XV36A | 8256155 |
| XC16-024-230 | TXV | 23800 | 15.5 | 12.5 | CX35-24B | EL195UH030XE24B | 8595354 |
| XC16-024-230 | TXV | 23800 | 15.5 | 12.5 | CX35-24B | EL195UH045XE24B | 8595299 |
| XC16-024-230 | TXV | 24800 | 16 | 13 | CX35-24B | EL296UH045XV36B | 8256157 |
| XC16-024-230 | TXV | 24800 | 16 | 13.5 | CX35-24B | EL296UH070XV36B | 8256154 |
| XC16-024-230 | TXV | 24600 | 15.1 | 13 | CX35-24B | SL280UH090V36B | 8256159 |
| XC16-024-230 | TXV | 24800 | 16 | 13 | CX35-24B | SL280UH090V48B | 8256156 |
| XC16-024-230 | TXV | 24600 | 16 | 13 | CX35-24B | SLP98UH070XV36B | 8256160 |
| XC16-024-230 | TXV | 24600 | 16 | 13 | CX35-30/36A | SL280UH070V36A | 8256174 |
| XC16-024-230 | TXV | 24800 | 16 | 13 | CX35-30/36A | SL280UH070XV36A | 8256169 |
| XC16-024-230 | TXV | 24000 | 16 | 13 | CX35-30/36B | CBWMV-24B-040 | 8256171 |
| XC16-024-230 | TXV | 23800 | 15.5 | 12.5 | CX35-30/36B | EL195UH030XE24B | 8595357 |
| XC16-024-230 | TXV | 23800 | 15.5 | 12.5 | CX35-30/36B | EL195UH045XE24B | 8595302 |
| XC16-024-230 | TXV | 24600 | 16 | 13 | CX35-30/36B | EL296UH045XV36B | 8256175 |
| XC16-024-230 | TXV | 24600 | 16 | 13 | CX35-30/36B | EL296UH070XV36B | 8256172 |
| XC16-024-230 | TXV | 24400 | 16 | 13 | CX35-30/36B | SL280UH090V36B | 8256168 |
| XC16-024-230 | TXV | 24600 | 16 | 13 | CX35-30/36B | SLP98UH070XV36B | 8256176 |
| XC16-024-230 | TXV | 24600 | 16 | 13.5 | CX35-30/36C | EL296UH090XV36C | 8256173 |
| XC16-024-230 | TXV | 24600 | 16 | 13.5 | CX35-30/36C | SLP98UH090XV36C | 8256170 |

Ratings AHRI Certified to AHRI Standard 210/240 (with 25 ft. of connecting refrigerant lines); 95°F outdoor air temperature, 80°F db / 67°F wb entering evaporator air.

All ratings include the use of a blower time delay relay (TDR). All Lennox variable-speed furnaces and Air Handlers have time delay capabilities. Other Furnaces and Air Handlers may require an optional time delay relay (**58M81**) for field installation. See furnace or air handler specifications to determine if relay is needed.

Also see Expansion Valve Kit Usage Table.

AHRI SYSTEM MATCHES - SOUTHWEST REGION

NOTE - For the latest up-to-date system matches please visit the AHRI web site at <http://www.ahridirectory.org>

| Model No. | Expansion Device | Capacity | SEER | EER | Coil or Air Handler | Furnace | AHRI Reference |
|--------------|------------------|----------|------|------|---------------------|-----------------|----------------|
| XC16-024-230 | TXV | 25200 | 17 | 13 | CX35-30A | SL280UH070V36A | 8256167 |
| XC16-024-230 | TXV | 25400 | 17 | 13.5 | CX35-30A | SL280UH070XV36A | 8256162 |
| XC16-024-230 | TXV | 23800 | 16 | 12.5 | CX35-30B | EL195UH030XE24B | 8595358 |
| XC16-024-230 | TXV | 23800 | 16 | 12.5 | CX35-30B | EL195UH045XE24B | 8595303 |
| XC16-024-230 | TXV | 25200 | 16 | 13.5 | CX35-30B | EL296UH045XV36B | 8256164 |
| XC16-024-230 | TXV | 25200 | 16 | 13.5 | CX35-30B | EL296UH070XV36B | 8256161 |
| XC16-024-230 | TXV | 25000 | 16 | 13.5 | CX35-30B | SL280UH090V36B | 8256165 |
| XC16-024-230 | TXV | 25200 | 16 | 13 | CX35-30B | SL280UH090V48B | 8256163 |
| XC16-024-230 | TXV | 25200 | 16 | 13.5 | CX35-30B | SLP98UH070XV36B | 8256166 |
| XC16-024-230 | TXV | 25400 | 17 | 13.5 | CX35-36A | SL280UH070V36A | 8256183 |
| XC16-024-230 | TXV | 25400 | 17 | 13.5 | CX35-36A | SL280UH070XV36A | 8256180 |
| XC16-024-230 | TXV | 24800 | 14.5 | 12.2 | CX35-36A | | 8256177 |
| XC16-024-230 | TXV | 23800 | 16 | 13 | CX35-36B | EL195UH030XE24B | 8595361 |
| XC16-024-230 | TXV | 23800 | 16 | 13 | CX35-36B | EL195UH045XE24B | 8595306 |
| XC16-024-230 | TXV | 25400 | 16 | 13.5 | CX35-36B | EL296UH045XV36B | 8256184 |
| XC16-024-230 | TXV | 25200 | 17 | 13.5 | CX35-36B | EL296UH070XV36B | 8256179 |
| XC16-024-230 | TXV | 25200 | 16 | 13.5 | CX35-36B | SL280UH090V36B | 8256185 |
| XC16-024-230 | TXV | 25400 | 16 | 13.5 | CX35-36B | SL280UH090V48B | 8256181 |
| XC16-024-230 | TXV | 25200 | 16 | 13.5 | CX35-36B | SLP98UH070XV36B | 8256182 |
| XC16-024-230 | TXV | 24800 | 14.5 | 12.2 | CX35-36B | | 8256178 |
| XC16-024-230 | TXV | 24400 | 16 | 13 | CX38-36B | SL280UH090V36B | 10558790 |
| XC16-036-230 | TXV | 35200 | 15 | 12.2 | C35-30/36B | SL280UH090XV48B | 8256187 |
| XC16-036-230 | TXV | 35000 | 15 | 12.2 | C35-30/36C | EL296UH110XV48C | 8256189 |
| XC16-036-230 | TXV | 35400 | 15 | 12.2 | C35-30/36C | EL296UH110XV60C | 8256186 |
| XC16-036-230 | TXV | 35400 | 15 | 12.2 | C35-30/36C | SLP98UH110XV60C | 8256188 |
| XC16-036-230 | TXV | 36400 | 15.5 | 12.2 | C35-36A | EL180UH045E36A | 8256195 |
| XC16-036-230 | TXV | 36400 | 15.5 | 12.2 | C35-36A | EL180UH045XE36A | 8256191 |
| XC16-036-230 | TXV | 36400 | 15.5 | 12.2 | C35-36A | SL280UH070V36A | 8256201 |
| XC16-036-230 | TXV | 36400 | 15.5 | 12.2 | C35-36A | SL280UH070XV36A | 8256193 |
| XC16-036-230 | TXV | 36400 | 15.5 | 12.2 | C35-36B | EL180UH070E36B | 8256192 |
| XC16-036-230 | TXV | 36200 | 15.5 | 12.2 | C35-36B | EL195UH070XE36B | 8256198 |
| XC16-036-230 | TXV | 36200 | 15.5 | 12.2 | C35-36B | EL296UH045XV36B | 8256199 |
| XC16-036-230 | TXV | 36400 | 15.5 | 12.2 | C35-36B | EL296UH070XV36B | 8256190 |
| XC16-036-230 | TXV | 36600 | 15.5 | 12.5 | C35-36B | SL280UH090V36B | 8256200 |
| XC16-036-230 | TXV | 36400 | 15.5 | 12.5 | C35-36B | SL280UH090V48B | 8256196 |
| XC16-036-230 | TXV | 36600 | 15.5 | 12.5 | C35-36B | SL280UH090XV48B | 8256194 |
| XC16-036-230 | TXV | 36400 | 15.5 | 12.2 | C35-36B | SLP98UH070XV36B | 8256197 |
| XC16-036-230 | TXV | 36600 | 15.5 | 12.2 | C35-48B | EL180UH070XE36B | 8256203 |
| XC16-036-230 | TXV | 36400 | 15.5 | 12.2 | C35-48B | EL195UH070XE36B | 8256217 |
| XC16-036-230 | TXV | 36600 | 15.5 | 12.2 | C35-48B | EL296UH045XV36B | 8256218 |
| XC16-036-230 | TXV | 36600 | 15.5 | 12.2 | C35-48B | EL296UH070XV36B | 8256205 |
| XC16-036-230 | TXV | 36000 | 16 | 12.5 | C35-48B | SL280UH090V48B | 8256213 |
| XC16-036-230 | TXV | 36000 | 16 | 12.5 | C35-48B | SL280UH090XV48B | 8256208 |
| XC16-036-230 | TXV | 36600 | 15.5 | 12.2 | C35-48B | SLP98UH070XV36B | 8256214 |
| XC16-036-230 | TXV | 36600 | 15.5 | 12.5 | C35-48C | CBWMV-36C-090 | 8256207 |
| XC16-036-230 | TXV | 37000 | 16 | 12.5 | C35-48C | CBWMV-60C-100 | 8256204 |
| XC16-036-230 | TXV | 36600 | 16 | 12.5 | C35-48C | EL296UH110XV48C | 8256215 |
| XC16-036-230 | TXV | 37000 | 15.1 | 12.5 | C35-48C | SL280UH090XV60C | 8256206 |
| XC16-036-230 | TXV | 36800 | 15.1 | 12.5 | C35-48C | SL280UH110V60C | 8256202 |
| XC16-036-230 | TXV | 36800 | 15.1 | 12.5 | C35-48C | SL280UH110XV60C | 8256216 |
| XC16-036-230 | TXV | 36800 | 15.5 | 12.5 | C35-48C | SLP98UH090XV36C | 8256210 |

Ratings AHRI Certified to AHRI Standard 210/240 (with 25 ft. of connecting refrigerant lines); 95°F outdoor air temperature, 80°F db / 67°F wb entering evaporator air.

All ratings include the use of a blower time delay relay (TDR). All Lennox variable-speed furnaces and Air Handlers have time delay capabilities. Other Furnaces and Air Handlers may require an optional time delay relay (58M81) for field installation. See furnace or air handler specifications to determine if relay is needed.

Also see Expansion Valve Kit Usage Table.

AHRI SYSTEM MATCHES - SOUTHWEST REGION

NOTE - For the latest up-to-date system matches please visit the AHRI web site at <http://www.ahridirectory.org>

| Model No. | Expansion Device | Capacity | SEER | EER | Coil or Air Handler | Furnace | AHRI Reference |
|--------------|------------------|----------|------|------|---------------------|-----------------|----------------|
| XC16-036-230 | TXV | 36800 | 16 | 12.5 | C35-48C | SLP98UH090XV48C | 8256211 |
| XC16-036-230 | TXV | 37200 | 16 | 12.5 | C35-48C | SLP98UH090XV60C | 8256212 |
| XC16-036-230 | TXV | 37000 | 15.5 | 12.5 | C35-48C | SLP98UH110XV60C | 8256209 |
| XC16-036-230 | TXV | 36000 | 15.5 | 12.5 | C35-49C | EL296UH090XE48C | 8256219 |
| XC16-036-230 | TXV | 37000 | 15.5 | 12.5 | C35-49C | EL296UH090XV36C | 8256222 |
| XC16-036-230 | TXV | 37600 | 16 | 12.5 | C35-49C | SL280UH090V60C | 8256227 |
| XC16-036-230 | TXV | 37600 | 16 | 12.5 | C35-49C | SL280UH090XV60C | 8256220 |
| XC16-036-230 | TXV | 37200 | 15.1 | 12.5 | C35-49C | SL280UH110V60C | 8256228 |
| XC16-036-230 | TXV | 37400 | 15.1 | 12.5 | C35-49C | SL280UH110XV60C | 8256221 |
| XC16-036-230 | TXV | 37000 | 16 | 12.5 | C35-49C | SLP98UH090XV36C | 8256224 |
| XC16-036-230 | TXV | 37400 | 16 | 12.5 | C35-49C | SLP98UH090XV48C | 8256225 |
| XC16-036-230 | TXV | 37600 | 16 | 12.5 | C35-49C | SLP98UH090XV60C | 8256226 |
| XC16-036-230 | TXV | 37400 | 16 | 12.5 | C35-49C | SLP98UH110XV60C | 8256223 |
| XC16-036-230 | TXV | 36400 | 16 | 12.5 | C35-50/60C | EL296UH110XV48C | 8256229 |
| XC16-036-230 | TXV | 36000 | 15 | 12.2 | CBA27UHE-036 | | 10259496 |
| XC16-036-230 | TXV | 36000 | 16 | 12.5 | CBA27UHE-042 | | 10259497 |
| XC16-036-230 | TXV | 36000 | 15.5 | 12.2 | CBX25UHV-036 | | 6970138 |
| XC16-036-230 | TXV | 37000 | 16 | 13 | CBX25UHV-042 | | 7040824 |
| XC16-036-230 | TXV | 35800 | 15 | 12.2 | CBX27UH-036 | | 6507591 |
| XC16-036-230 | TXV | 37000 | 16 | 12.5 | CBX27UH-042 | | 6507593 |
| XC16-036-230 | TXV | 37000 | 16 | 12.5 | CBX32MV-048 | | 6507605 |
| XC16-036-230 | TXV | 36600 | 15.5 | 12.2 | CBX40UHV-042 | | 6508725 |
| XC16-036-230 | TXV | 36600 | 15 | 12.5 | CBX40UHV-048 | | 6508727 |
| XC16-036-230 | TXV | 35600 | 15.5 | 12.2 | CH23-41 | EL296UH090XV36C | 6508742 |
| XC16-036-230 | TXV | 35400 | 15.5 | 12.2 | CH23-41 | EL296UH090XV48C | 6508745 |
| XC16-036-230 | TXV | 36000 | 15.5 | 12.2 | CH23-41 | EL296UH090XV60C | 6508748 |
| XC16-036-230 | TXV | 35600 | 15.5 | 12.5 | CH23-41 | EL296UH110XV48C | 6507618 |
| XC16-036-230 | TXV | 36000 | 15.5 | 12.5 | CH23-41 | EL296UH110XV60C | 6508750 |
| XC16-036-230 | TXV | 35400 | 15.5 | 12.5 | CH23-41 | SL280UH090V36B | 6507624 |
| XC16-036-230 | TXV | 35600 | 15 | 12.5 | CH23-41 | SL280UH090V48B | 6507626 |
| XC16-036-230 | TXV | 36000 | 15.1 | 12.5 | CH23-41 | SL280UH090V60C | 6507629 |
| XC16-036-230 | TXV | 35600 | 15.5 | 12.5 | CH23-41 | SL280UH090XV48B | 6508754 |
| XC16-036-230 | TXV | 36000 | 15.1 | 12.5 | CH23-41 | SL280UH090XV60C | 6508756 |
| XC16-036-230 | TXV | 35800 | 15.1 | 12.2 | CH23-41 | SL280UH110V60C | 6507633 |
| XC16-036-230 | TXV | 35800 | 15.1 | 12.2 | CH23-41 | SL280UH110XV60C | 6508759 |
| XC16-036-230 | TXV | 35600 | 15.5 | 12.2 | CH23-41 | SLP98UH090XV36C | 6507641 |
| XC16-036-230 | TXV | 35400 | 15.5 | 12.2 | CH23-41 | SLP98UH090XV48C | 6507644 |
| XC16-036-230 | TXV | 36000 | 15.5 | 12.2 | CH23-41 | SLP98UH090XV60C | 6507650 |
| XC16-036-230 | TXV | 36000 | 15.5 | 12.5 | CH23-41 | SLP98UH110XV60C | 6507653 |
| XC16-036-230 | TXV | 35600 | 15 | 12.5 | CH23-51 | EL180UH070E36B | 6507667 |
| XC16-036-230 | TXV | 35600 | 15 | 12.2 | CH23-51 | EL195UH070XE36B | 6507659 |
| XC16-036-230 | TXV | 35800 | 15.5 | 12.5 | CH23-51 | EL296UH110XV48C | 6507664 |
| XC16-036-230 | TXV | 36000 | 15 | 12.2 | CH23-65 | EL195UH070XE36B | 6507678 |
| XC16-036-230 | TXV | 36200 | 15.5 | 12.5 | CH23-65 | EL296UH090XV36C | 6508772 |
| XC16-036-230 | TXV | 36000 | 15.5 | 12.5 | CH23-65 | EL296UH090XV48C | 6508784 |
| XC16-036-230 | TXV | 36600 | 16 | 12.5 | CH23-65 | EL296UH090XV60C | 6508787 |
| XC16-036-230 | TXV | 36400 | 16 | 12.5 | CH23-65 | EL296UH110XV60C | 6508789 |
| XC16-036-230 | TXV | 36600 | 15.1 | 12.5 | CH23-65 | SL280UH090V60C | 6507687 |
| XC16-036-230 | TXV | 36600 | 15.1 | 12.5 | CH23-65 | SL280UH090XV60C | 6508795 |
| XC16-036-230 | TXV | 36400 | 15.1 | 12.5 | CH23-65 | SL280UH110V60C | 6507691 |
| XC16-036-230 | TXV | 36400 | 15.1 | 12.5 | CH23-65 | SL280UH110XV60C | 6508792 |

Ratings AHRI Certified to AHRI Standard 210/240 (with 25 ft. of connecting refrigerant lines); 95°F outdoor air temperature, 80°F db / 67°F wb entering evaporator air.

All ratings include the use of a blower time delay relay (TDR). All Lennox variable-speed furnaces and Air Handlers have time delay capabilities. Other Furnaces and Air Handlers may require an optional time delay relay (**58M81**) for field installation. See furnace or air handler specifications to determine if relay is needed.

Also see Expansion Valve Kit Usage Table.

AHRI SYSTEM MATCHES - SOUTHWEST REGION

NOTE - For the latest up-to-date system matches please visit the AHRI web site at <http://www.ahridirectory.org>

| Model No. | Expansion Device | Capacity | SEER | EER | Coil or Air Handler | Furnace | AHRI Reference |
|--------------|------------------|----------|------|------|---------------------|-----------------|----------------|
| XC16-036-230 | TXV | 36200 | 15.5 | 12.5 | CH23-65 | SLP98UH090XV36C | 6507695 |
| XC16-036-230 | TXV | 36000 | 15.5 | 12.5 | CH23-65 | SLP98UH090XV48C | 6507699 |
| XC16-036-230 | TXV | 36600 | 15.5 | 12.5 | CH23-65 | SLP98UH090XV60C | 6507702 |
| XC16-036-230 | TXV | 36400 | 15.5 | 12.5 | CH23-65 | SLP98UH110XV60C | 6507706 |
| XC16-036-230 | TXV | 35600 | 15 | 12.2 | CH33-36 | EL296UH090XV36C | 6508801 |
| XC16-036-230 | TXV | 35400 | 15.5 | 12.2 | CH33-36 | EL296UH090XV48C | 6508804 |
| XC16-036-230 | TXV | 36000 | 15.5 | 12.2 | CH33-36 | EL296UH090XV60C | 6508807 |
| XC16-036-230 | TXV | 35800 | 15.5 | 12.2 | CH33-36 | EL296UH110XV60C | 6508810 |
| XC16-036-230 | TXV | 36000 | 15.1 | 12.2 | CH33-36 | SL280UH090V60C | 6507766 |
| XC16-036-230 | TXV | 36000 | 15.1 | 12.2 | CH33-36 | SL280UH090XV60C | 6508817 |
| XC16-036-230 | TXV | 35600 | 15 | 12.2 | CH33-36 | SLP98UH090XV36C | 6507774 |
| XC16-036-230 | TXV | 35400 | 15 | 12.2 | CH33-36 | SLP98UH090XV48C | 6507777 |
| XC16-036-230 | TXV | 36000 | 15.5 | 12.2 | CH33-36 | SLP98UH090XV60C | 6507783 |
| XC16-036-230 | TXV | 35800 | 15.5 | 12.2 | CH33-36 | SLP98UH110XV60C | 6507786 |
| XC16-036-230 | TXV | 35600 | 15.5 | 12.2 | CH33-36C | EL296UH110XV48C | 6507762 |
| XC16-036-230 | TXV | 36000 | 15.5 | 12.2 | CH33-42 | SL280UH090V36B | 6507810 |
| XC16-036-230 | TXV | 35800 | 15 | 12.2 | CH33-42 | SL280UH090V48B | 6507814 |
| XC16-036-230 | TXV | 36000 | 15 | 12.2 | CH33-42 | SL280UH090XV48B | 6508834 |
| XC16-036-230 | TXV | 37200 | 16 | 12.5 | CH33-43 | EL180UH070E36B | 6508853 |
| XC16-036-230 | TXV | 37000 | 15 | 12.2 | CH33-43 | EL195UH070XE36B | 6507832 |
| XC16-036-230 | TXV | 37000 | 15.5 | 12.2 | CH33-43 | EL296UH045XV36B | 6507835 |
| XC16-036-230 | TXV | 37000 | 15 | 12.2 | CH33-43 | EL296UH070XE36B | 6508859 |
| XC16-036-230 | TXV | 37000 | 15.5 | 12.2 | CH33-43 | EL296UH070XV36B | 6508862 |
| XC16-036-230 | TXV | 36800 | 15.5 | 12.5 | CH33-43 | EL296UH090XV36C | 6508864 |
| XC16-036-230 | TXV | 36600 | 16 | 12.5 | CH33-43 | EL296UH090XV48C | 6508868 |
| XC16-036-230 | TXV | 37200 | 16 | 12.5 | CH33-43 | EL296UH090XV60C | 6508870 |
| XC16-036-230 | TXV | 37200 | 16 | 12.5 | CH33-43 | EL296UH110XV60C | 6508873 |
| XC16-036-230 | TXV | 37600 | 16 | 12.5 | CH33-43 | SL280UH090V36B | 6507842 |
| XC16-036-230 | TXV | 36000 | 16 | 12.5 | CH33-43 | SL280UH090V48B | 6507846 |
| XC16-036-230 | TXV | 37200 | 15.1 | 12.5 | CH33-43 | SL280UH090V60C | 6507862 |
| XC16-036-230 | TXV | 36000 | 16 | 12.5 | CH33-43 | SL280UH090XV48B | 6508878 |
| XC16-036-230 | TXV | 37200 | 16 | 12.5 | CH33-43 | SL280UH090XV60C | 6508848 |
| XC16-036-230 | TXV | 37000 | 15.1 | 12.5 | CH33-43 | SL280UH110V60C | 6507866 |
| XC16-036-230 | TXV | 37000 | 15.1 | 12.5 | CH33-43 | SL280UH110XV60C | 6508851 |
| XC16-036-230 | TXV | 37000 | 15.5 | 12.2 | CH33-43 | SLP98UH070XV36B | 6507850 |
| XC16-036-230 | TXV | 36800 | 15.5 | 12.5 | CH33-43 | SLP98UH090XV36C | 6507869 |
| XC16-036-230 | TXV | 37000 | 16 | 12.5 | CH33-43 | SLP98UH090XV48C | 6507873 |
| XC16-036-230 | TXV | 37200 | 16 | 12.5 | CH33-43 | SLP98UH090XV60C | 6507876 |
| XC16-036-230 | TXV | 37200 | 16 | 12.5 | CH33-43 | SLP98UH110XV60C | 6507879 |
| XC16-036-230 | TXV | 36800 | 16 | 12.5 | CH33-43C | EL296UH110XV48C | 6507857 |
| XC16-036-230 | TXV | 36400 | 15.5 | 12.2 | CH33-44/48 | EL180UH070E36B | 6508883 |
| XC16-036-230 | TXV | 36800 | 15.5 | 12.5 | CH33-44/48 | SL280UH090V36B | 6507904 |
| XC16-036-230 | TXV | 36400 | 15 | 12.2 | CH33-44/48 | SL280UH090V48B | 6507912 |
| XC16-036-230 | TXV | 36400 | 15.5 | 12.2 | CH33-44/48 | SL280UH090XV48B | 6508879 |
| XC16-036-230 | TXV | 36400 | 15.5 | 12.2 | CH33-44/48 | SLP98UH070XV36B | 6507914 |
| XC16-036-230 | TXV | 36600 | 15.5 | 12.5 | CH33-48 | EL296UH090XV36C | 6508901 |
| XC16-036-230 | TXV | 36400 | 15.5 | 12.5 | CH33-48 | EL296UH090XV48C | 6508903 |
| XC16-036-230 | TXV | 37000 | 16 | 12.5 | CH33-48 | EL296UH090XV60C | 6508907 |
| XC16-036-230 | TXV | 36800 | 16 | 12.5 | CH33-48 | EL296UH110XV60C | 6508909 |
| XC16-036-230 | TXV | 37000 | 15.1 | 12.5 | CH33-48 | SL280UH090V60C | 6507926 |
| XC16-036-230 | TXV | 37000 | 15.1 | 12.5 | CH33-48 | SL280UH090XV60C | 6508898 |

Ratings AHRI Certified to AHRI Standard 210/240 (with 25 ft. of connecting refrigerant lines); 95°F outdoor air temperature, 80°F db / 67°F wb entering evaporator air.

All ratings include the use of a blower time delay relay (TDR). All Lennox variable-speed furnaces and Air Handlers have time delay capabilities. Other Furnaces and Air Handlers may require an optional time delay relay (**58M81**) for field installation. See furnace or air handler specifications to determine if relay is needed.

Also see Expansion Valve Kit Usage Table.

AHRI SYSTEM MATCHES - SOUTHWEST REGION

NOTE - For the latest up-to-date system matches please visit the AHRI web site at <http://www.ahridirectory.org>

| Model No. | Expansion Device | Capacity | SEER | EER | Coil or Air Handler | Furnace | AHRI Reference |
|--------------|------------------|----------|------|------|---------------------|-----------------|----------------|
| XC16-036-230 | TXV | 36800 | 15.1 | 12.2 | CH33-48 | SL280UH110V60C | 6507930 |
| XC16-036-230 | TXV | 36800 | 15.1 | 12.5 | CH33-48 | SL280UH110XV60C | 6508895 |
| XC16-036-230 | TXV | 36600 | 15.5 | 12.5 | CH33-48 | SLP98UH090XV36C | 6507934 |
| XC16-036-230 | TXV | 36800 | 16 | 12.5 | CH33-48 | SLP98UH090XV48C | 6507938 |
| XC16-036-230 | TXV | 37000 | 15.5 | 12.5 | CH33-48 | SLP98UH090XV60C | 6507942 |
| XC16-036-230 | TXV | 36800 | 15.5 | 12.5 | CH33-48 | SLP98UH110XV60C | 6507945 |
| XC16-036-230 | TXV | 36600 | 16 | 12.5 | CH33-48C | EL296UH110XV48C | 6507922 |
| XC16-036-230 | TXV | 37000 | 16 | 12.5 | CH33-50/60C | EL296UH110XV48C | 6507949 |
| XC16-036-230 | TXV | 35200 | 15 | 12.2 | CH35-36B | SL280UH090V48B | 7165648 |
| XC16-036-230 | TXV | 35200 | 15.1 | 12.2 | CH35-36B | SL280UH090XV48B | 7165491 |
| XC16-036-230 | TXV | 35600 | 15.1 | 12.2 | CH35-36C | EL296UH090XV36C | 7165493 |
| XC16-036-230 | TXV | 35400 | 15.5 | 12.2 | CH35-36C | EL296UH090XV48C | 7165494 |
| XC16-036-230 | TXV | 36000 | 15.5 | 12.2 | CH35-36C | EL296UH090XV60C | 7165495 |
| XC16-036-230 | TXV | 35600 | 15.5 | 12.2 | CH35-36C | EL296UH110XV48C | 7165496 |
| XC16-036-230 | TXV | 36000 | 15.5 | 12.2 | CH35-36C | EL296UH110XV60C | 7165497 |
| XC16-036-230 | TXV | 36000 | 15.1 | 12.2 | CH35-36C | SL280UH090V60C | 7165597 |
| XC16-036-230 | TXV | 36000 | 15.1 | 12.2 | CH35-36C | SL280UH090XV60C | 7165498 |
| XC16-036-230 | TXV | 35800 | 15.1 | 12.2 | CH35-36C | SL280UH110V60C | 7165499 |
| XC16-036-230 | TXV | 35800 | 15.1 | 12.2 | CH35-36C | SL280UH110XV60C | 7165500 |
| XC16-036-230 | TXV | 35600 | 15.1 | 12.2 | CH35-36C | SLP98UH090XV36C | 7165598 |
| XC16-036-230 | TXV | 35400 | 15.1 | 12.2 | CH35-36C | SLP98UH090XV48C | 7165599 |
| XC16-036-230 | TXV | 36000 | 15.5 | 12.2 | CH35-36C | SLP98UH090XV60C | 7165600 |
| XC16-036-230 | TXV | 36000 | 15.5 | 12.2 | CH35-36C | SLP98UH110XV60C | 7165601 |
| XC16-036-230 | TXV | 36000 | 16 | 12.5 | CH35-42B | EL180UH070E36B | 7165502 |
| XC16-036-230 | TXV | 36000 | 15.1 | 12.2 | CH35-42B | EL195UH070XE36B | 7165504 |
| XC16-036-230 | TXV | 36000 | 15.5 | 12.2 | CH35-42B | EL296UH045XV36B | 7165505 |
| XC16-036-230 | TXV | 36000 | 15.1 | 12.2 | CH35-42B | EL296UH070XE36B | 7165507 |
| XC16-036-230 | TXV | 36000 | 15.5 | 12.2 | CH35-42B | EL296UH070XV36B | 7165508 |
| XC16-036-230 | TXV | 36000 | 16 | 12.5 | CH35-42B | SL280UH090V36B | 7165602 |
| XC16-036-230 | TXV | 36000 | 15.5 | 12.5 | CH35-42B | SL280UH090V48B | 7165603 |
| XC16-036-230 | TXV | 36000 | 15.5 | 12.5 | CH35-42B | SL280UH090XV48B | 7165509 |
| XC16-036-230 | TXV | 36000 | 15.5 | 12.2 | CH35-42B | SLP98UH070XV36B | 7165604 |
| XC16-036-230 | TXV | 36000 | 15.5 | 12.5 | CH35-42C | EL296UH090XV36C | 7165511 |
| XC16-036-230 | TXV | 36000 | 16 | 12.5 | CH35-42C | EL296UH090XV48C | 7165512 |
| XC16-036-230 | TXV | 36000 | 16 | 12.5 | CH35-42C | EL296UH090XV60C | 7165513 |
| XC16-036-230 | TXV | 36000 | 16 | 12.5 | CH35-42C | EL296UH110XV48C | 7165514 |
| XC16-036-230 | TXV | 36000 | 16 | 12.5 | CH35-42C | EL296UH110XV60C | 7165515 |
| XC16-036-230 | TXV | 36000 | 16 | 12.5 | CH35-42C | SL280UH090V60C | 7165605 |
| XC16-036-230 | TXV | 36000 | 16 | 12.5 | CH35-42C | SL280UH090XV60C | 7165516 |
| XC16-036-230 | TXV | 36000 | 15.1 | 12.5 | CH35-42C | SL280UH110V60C | 7165517 |
| XC16-036-230 | TXV | 36000 | 15.1 | 12.5 | CH35-42C | SL280UH110XV60C | 7165518 |
| XC16-036-230 | TXV | 36000 | 16 | 12.5 | CH35-42C | SLP98UH090XV36C | 7165606 |
| XC16-036-230 | TXV | 36000 | 16 | 12.5 | CH35-42C | SLP98UH090XV48C | 7165607 |
| XC16-036-230 | TXV | 36000 | 16 | 12.5 | CH35-42C | SLP98UH090XV60C | 7165608 |
| XC16-036-230 | TXV | 36000 | 16 | 12.5 | CH35-42C | SLP98UH110XV60C | 7165609 |
| XC16-036-230 | TXV | 36000 | 15.5 | 12.2 | CH35-48B | EL180UH070E36B | 7165520 |
| XC16-036-230 | TXV | 36000 | 15.5 | 12.2 | CH35-48B | EL296UH070XV36B | 7165526 |
| XC16-036-230 | TXV | 36000 | 15.5 | 12.5 | CH35-48B | SL280UH090V36B | 7165610 |
| XC16-036-230 | TXV | 36000 | 15.1 | 12.5 | CH35-48B | SL280UH090V48B | 7165611 |
| XC16-036-230 | TXV | 36000 | 15.5 | 12.5 | CH35-48B | SL280UH090XV48B | 7165527 |
| XC16-036-230 | TXV | 36000 | 15.5 | 12.2 | CH35-48B | SLP98UH070XV36B | 7165612 |

Ratings AHRI Certified to AHRI Standard 210/240 (with 25 ft. of connecting refrigerant lines); 95°F outdoor air temperature, 80°F db / 67°F wb entering evaporator air.

All ratings include the use of a blower time delay relay (TDR). All Lennox variable-speed furnaces and Air Handlers have time delay capabilities. Other Furnaces and Air Handlers may require an optional time delay relay (**58M81**) for field installation. See furnace or air handler specifications to determine if relay is needed.

Also see Expansion Valve Kit Usage Table.

AHRI SYSTEM MATCHES - SOUTHWEST REGION

NOTE - For the latest up-to-date system matches please visit the AHRI web site at <http://www.ahridirectory.org>

| Model No. | Expansion Device | Capacity | SEER | EER | Coil or Air Handler | Furnace | AHRI Reference |
|--------------|------------------|----------|------|------|---------------------|-----------------|----------------|
| XC16-036-230 | TXV | 36000 | 15.5 | 12.5 | CH35-48C | EL296UH090XV36C | 7165529 |
| XC16-036-230 | TXV | 36000 | 16 | 12.5 | CH35-48C | EL296UH090XV48C | 7165530 |
| XC16-036-230 | TXV | 36000 | 16 | 12.5 | CH35-48C | EL296UH090XV60C | 7165531 |
| XC16-036-230 | TXV | 36000 | 16 | 12.5 | CH35-48C | EL296UH110XV48C | 7165532 |
| XC16-036-230 | TXV | 36000 | 16 | 12.5 | CH35-48C | EL296UH110XV60C | 7165533 |
| XC16-036-230 | TXV | 36000 | 15.1 | 12.5 | CH35-48C | SL280UH090V60C | 7165613 |
| XC16-036-230 | TXV | 36000 | 16 | 12.5 | CH35-48C | SL280UH090XV60C | 7165534 |
| XC16-036-230 | TXV | 36000 | 15.1 | 12.5 | CH35-48C | SL280UH110V60C | 7165535 |
| XC16-036-230 | TXV | 36000 | 15.1 | 12.5 | CH35-48C | SL280UH110XV60C | 7165536 |
| XC16-036-230 | TXV | 36000 | 15.5 | 12.5 | CH35-48C | SLP98UH090XV36C | 7165580 |
| XC16-036-230 | TXV | 36000 | 16 | 12.5 | CH35-48C | SLP98UH090XV48C | 7165581 |
| XC16-036-230 | TXV | 36000 | 16 | 12.5 | CH35-48C | SLP98UH090XV60C | 7165582 |
| XC16-036-230 | TXV | 36000 | 16 | 12.5 | CH35-48C | SLP98UH110XV60C | 7165583 |
| XC16-036-230 | TXV | 36000 | 16 | 12.5 | CH35-51C | EL296UH110XV48C | 9977275 |
| XC16-036-230 | TXV | 36000 | 15.1 | 12.2 | CR33-30/36 | SL280DF090V60C | 6507984 |
| XC16-036-230 | TXV | 35600 | 15.1 | 12.2 | CR33-30/36 | SL280DF110V60C | 6507987 |
| XC16-036-230 | TXV | 36000 | 15 | 12.2 | CR33-48 | EL195DF070XE48B | 6508008 |
| XC16-036-230 | TXV | 35800 | 14.5 | 12.2 | CR33-48 | EL296DF070XE48B | 6508962 |
| XC16-036-230 | TXV | 36200 | 15.5 | 12.2 | CR33-48 | EL296DF090XV60C | 6508964 |
| XC16-036-230 | TXV | 36200 | 15.5 | 12.2 | CR33-48 | EL296DF110XV60C | 6508966 |
| XC16-036-230 | TXV | 36200 | 15.5 | 12.2 | CR33-48 | SL280DF090V48B | 6507999 |
| XC16-036-230 | TXV | 36600 | 15.1 | 12.5 | CR33-48 | SL280DF090V60C | 6508013 |
| XC16-036-230 | TXV | 36200 | 15.1 | 12.5 | CR33-48 | SL280DF110V60C | 6508016 |
| XC16-036-230 | TXV | 35800 | 15.5 | 12.2 | CR33-48 | SLP98DF070XV36B | 6508953 |
| XC16-036-230 | TXV | 36000 | 15.5 | 12.2 | CR33-48 | SLP98DF090XV36C | 6508951 |
| XC16-036-230 | TXV | 36000 | 15.5 | 12.2 | CR33-48 | SLP98DF090XV48C | 6508949 |
| XC16-036-230 | TXV | 36200 | 15.5 | 12.2 | CR33-48 | SLP98DF090XV60C | 6508945 |
| XC16-036-230 | TXV | 36200 | 15.5 | 12.2 | CR33-48 | SLP98DF110XV60C | 6508942 |
| XC16-036-230 | TXV | 35200 | 15 | 12.2 | CX35-30/36B | SL280UH090XV48B | 8256231 |
| XC16-036-230 | TXV | 35000 | 15 | 12.2 | CX35-30/36C | EL296UH110XV48C | 8256233 |
| XC16-036-230 | TXV | 35400 | 15 | 12.2 | CX35-30/36C | EL296UH110XV60C | 8256230 |
| XC16-036-230 | TXV | 35400 | 15 | 12.2 | CX35-30/36C | SLP98UH110XV60C | 8256232 |
| XC16-036-230 | TXV | 36400 | 15.5 | 12.2 | CX35-36A | EL180UH045XE36A | 8256237 |
| XC16-036-230 | TXV | 36400 | 15.5 | 12.2 | CX35-36A | SL280UH070V36A | 8256244 |
| XC16-036-230 | TXV | 36400 | 15.5 | 12.2 | CX35-36A | SL280UH070XV36A | 8256234 |
| XC16-036-230 | TXV | 36400 | 15.5 | 12.2 | CX35-36B | EL180UH070XE36B | 8256238 |
| XC16-036-230 | TXV | 36200 | 15.5 | 12.2 | CX35-36B | EL195UH070XE36B | 8256241 |
| XC16-036-230 | TXV | 36200 | 15.5 | 12.2 | CX35-36B | EL296UH045XV36B | 8256242 |
| XC16-036-230 | TXV | 36400 | 15.5 | 12.2 | CX35-36B | EL296UH070XV36B | 8256236 |
| XC16-036-230 | TXV | 36600 | 15.5 | 12.5 | CX35-36B | SL280UH090V36B | 8256243 |
| XC16-036-230 | TXV | 36400 | 15.5 | 12.5 | CX35-36B | SL280UH090V48B | 8256239 |
| XC16-036-230 | TXV | 36400 | 15.5 | 12.5 | CX35-36B | SL280UH090XV48B | 8256235 |
| XC16-036-230 | TXV | 36400 | 15.5 | 12.2 | CX35-36B | SLP98UH070XV36B | 8256240 |
| XC16-036-230 | TXV | 36600 | 15.5 | 12.2 | CX35-48B | EL180UH070E36B | 8256253 |
| XC16-036-230 | TXV | 36400 | 15.5 | 12.2 | CX35-48B | EL195UH070XE36B | 8256267 |
| XC16-036-230 | TXV | 36600 | 15.5 | 12.2 | CX35-48B | EL296UH045XV36B | 8256263 |
| XC16-036-230 | TXV | 36600 | 15.5 | 12.2 | CX35-48B | EL296UH070XV36B | 8256249 |
| XC16-036-230 | TXV | 37000 | 16 | 12.5 | CX35-48B | SL280UH090V36B | 8256264 |
| XC16-036-230 | TXV | 36000 | 16 | 12.5 | CX35-48B | SL280UH090V48B | 8256265 |
| XC16-036-230 | TXV | 36000 | 16 | 12.5 | CX35-48B | SL280UH090XV48B | 8256254 |
| XC16-036-230 | TXV | 36600 | 15.5 | 12.2 | CX35-48B | SLP98UH070XV36B | 8256261 |

Ratings AHRI Certified to AHRI Standard 210/240 (with 25 ft. of connecting refrigerant lines); 95°F outdoor air temperature, 80°F db / 67°F wb entering evaporator air.

All ratings include the use of a blower time delay relay (TDR). All Lennox variable-speed furnaces and Air Handlers have time delay capabilities. Other Furnaces and Air Handlers may require an optional time delay relay (**58M81**) for field installation. See furnace or air handler specifications to determine if relay is needed.

Also see Expansion Valve Kit Usage Table.

AHRI SYSTEM MATCHES - SOUTHWEST REGION

NOTE - For the latest up-to-date system matches please visit the AHRI web site at <http://www.ahridirectory.org>

| Model No. | Expansion Device | Capacity | SEER | EER | Coil or Air Handler | Furnace | AHRI Reference |
|--------------|------------------|----------|------|------|---------------------|--------------------|----------------|
| XC16-036-230 | TXV | 36600 | 15.5 | 12.5 | CX35-48C | CBWMV-36C-090 | 8256252 |
| XC16-036-230 | TXV | 37000 | 16 | 12.5 | CX35-48C | CBWMV-60C-100 | 8256248 |
| XC16-036-230 | TXV | 36600 | 15.5 | 12.5 | CX35-48C | EL296UH090XV36C | 8256250 |
| XC16-036-230 | TXV | 36400 | 15.5 | 12.5 | CX35-48C | EL296UH090XV48C | 8256251 |
| XC16-036-230 | TXV | 37200 | 16 | 12.5 | CX35-48C | EL296UH090XV60C | 8256246 |
| XC16-036-230 | TXV | 36600 | 16 | 12.5 | CX35-48C | EL296UH110XV48C | 8256266 |
| XC16-036-230 | TXV | 37000 | 16 | 12.5 | CX35-48C | EL296UH110XV60C | 8256247 |
| XC16-036-230 | TXV | 36800 | 16 | 12.5 | CX35-48C | SL280UH090V60C | 8256245 |
| XC16-036-230 | TXV | 37000 | 15.1 | 12.5 | CX35-48C | SL280UH090XV60C | 8256255 |
| XC16-036-230 | TXV | 36800 | 15.1 | 12.5 | CX35-48C | SL280UH110V60C | 8256262 |
| XC16-036-230 | TXV | 37000 | 15.1 | 12.5 | CX35-48C | SL280UH110XV60C | 8256256 |
| XC16-036-230 | TXV | 36800 | 15.5 | 12.5 | CX35-48C | SLP98UH090XV36C | 8256258 |
| XC16-036-230 | TXV | 36800 | 16 | 12.5 | CX35-48C | SLP98UH090XV48C | 8256259 |
| XC16-036-230 | TXV | 37200 | 16 | 12.5 | CX35-48C | SLP98UH090XV60C | 8256260 |
| XC16-036-230 | TXV | 37000 | 15.5 | 12.5 | CX35-48C | SLP98UH110XV60C | 8256257 |
| XC16-036-230 | TXV | 36000 | 15.5 | 12.5 | CX35-49C | EL296UH090XE48C | 8256268 |
| XC16-036-230 | TXV | 37000 | 15.5 | 12.5 | CX35-49C | EL296UH090XV36C | 8256273 |
| XC16-036-230 | TXV | 36800 | 16 | 12.5 | CX35-49C | EL296UH090XV48C | 8256270 |
| XC16-036-230 | TXV | 37600 | 16 | 12.5 | CX35-49C | EL296UH090XV60C | 8256274 |
| XC16-036-230 | TXV | 37400 | 16 | 12.5 | CX35-49C | EL296UH110XV60C | 8256272 |
| XC16-036-230 | TXV | 37600 | 16 | 12.5 | CX35-49C | SL280UH090V60C | 8256280 |
| XC16-036-230 | TXV | 37600 | 16 | 12.5 | CX35-49C | SL280UH090XV60C | 8256271 |
| XC16-036-230 | TXV | 37200 | 15.1 | 12.5 | CX35-49C | SL280UH110V60C | 8256278 |
| XC16-036-230 | TXV | 37400 | 15.1 | 12.5 | CX35-49C | SL280UH110XV60C | 8256269 |
| XC16-036-230 | TXV | 37000 | 16 | 12.5 | CX35-49C | SLP98UH090XV36C | 8256279 |
| XC16-036-230 | TXV | 37400 | 16 | 12.5 | CX35-49C | SLP98UH090XV48C | 8256276 |
| XC16-036-230 | TXV | 37600 | 16 | 12.5 | CX35-49C | SLP98UH090XV60C | 8256277 |
| XC16-036-230 | TXV | 37400 | 16 | 12.5 | CX35-49C | SLP98UH110XV60C | 8256275 |
| XC16-036-230 | TXV | 36400 | 16 | 12.5 | CX35-50/60C | EL296UH110XV48C | 8256281 |
| XC16-036-230 | TXV | 37000 | 15.1 | 12.5 | CX38-43C | SL280UH090V60C | 10558837 |
| XC16-048-230 | TXV | 46000 | 15.5 | 12 | C35-48B | EL180UH090E48B | 8256282 |
| XC16-048-230 | TXV | 46500 | 16 | 12 | C35-49C | EL180UH090E60C | 8256290 |
| XC16-048-230 | TXV | 46500 | 16 | 12 | C35-49C | EL180UH110E60C | 8256291 |
| XC16-048-230 | TXV | 46500 | 15.5 | 12.2 | C35-49C | EL195UH090XE48C | 8256302 |
| XC16-048-230 | TXV | 46500 | 16 | 12 | C35-49C | EL195UH110XE60C | 8256299 |
| XC16-048-230 | TXV | 46500 | 15.5 | 12 | C35-49C | EL296UH090XE48C | 8256287 |
| XC16-048-230 | TXV | 46500 | 16 | 12 | C35-49C | EL296UH090XV48C | 8256300 |
| XC16-048-230 | TXV | 46500 | 15.5 | 12 | C35-49C | EL296UH090XV60C | 8256301 |
| XC16-048-230 | TXV | 46500 | 16 | 12 | C35-49C | EL296UH110XE60C | 8256288 |
| XC16-048-230 | TXV | 46500 | 16 | 12 | C35-49C | EL296UH110XV48C | 8256296 |
| XC16-048-230 | TXV | 46500 | 16 | 12 | C35-49C | EL296UH110XV60C | 8256297 |
| XC16-048-230 | TXV | 47000 | 16 | 12 | C35-49C | SL280UH090V60C | 8256298 |
| XC16-048-230 | TXV | 46500 | 16 | 12 | C35-49C | SL280UH090XV60C | 8256289 |
| XC16-048-230 | TXV | 46500 | 16 | 12 | C35-49C | SL280UH110V60C | 8256292 |
| XC16-048-230 | TXV | 46500 | 16 | 12 | C35-49C | SL280UH110XV60C | 8256286 |
| XC16-048-230 | TXV | 46500 | 15.5 | 12.2 | C35-49C | SLO185B124/141V60 | 8256285 |
| XC16-048-230 | TXV | 46500 | 15.5 | 12.2 | C35-49C | SLO185UF124/141V60 | 8256284 |
| XC16-048-230 | TXV | 46500 | 16 | 12 | C35-49C | SLP98UH090XV48C | 8256293 |
| XC16-048-230 | TXV | 46500 | 16 | 12 | C35-49C | SLP98UH090XV60C | 8256294 |
| XC16-048-230 | TXV | 46500 | 16 | 12 | C35-49C | SLP98UH110XV60C | 8256295 |
| XC16-048-230 | TXV | 46500 | 14.5 | 11.7 | C35-49C | | 8256283 |

Ratings AHRI Certified to AHRI Standard 210/240 (with 25 ft. of connecting refrigerant lines); 95°F outdoor air temperature, 80°F db / 67°F wb entering evaporator air.

All ratings include the use of a blower time delay relay (TDR). All Lennox variable-speed furnaces and Air Handlers have time delay capabilities. Other Furnaces and Air Handlers may require an optional time delay relay (**58M81**) for field installation. See furnace or air handler specifications to determine if relay is needed.

Also see Expansion Valve Kit Usage Table.

AHRI SYSTEM MATCHES - SOUTHWEST REGION

NOTE - For the latest up-to-date system matches please visit the AHRI web site at <http://www.ahridirectory.org>

| Model No. | Expansion Device | Capacity | SEER | EER | Coil or Air Handler | Furnace | AHRI Reference |
|--------------|------------------|----------|------|------|---------------------|--------------------|----------------|
| XC16-048-230 | TXV | 45500 | 15.5 | 11.7 | C35-50/60C | CBWMV-60C-100 | 8256308 |
| XC16-048-230 | TXV | 45500 | 15.5 | 12 | C35-50/60C | EL180UH090E60C | 8256309 |
| XC16-048-230 | TXV | 45000 | 15.5 | 12 | C35-50/60C | EL180UH110E60C | 8256305 |
| XC16-048-230 | TXV | 45000 | 15 | 11.7 | C35-50/60C | EL195UH090XE48C | 8256317 |
| XC16-048-230 | TXV | 45500 | 15 | 11.7 | C35-50/60C | EL296UH090XE48C | 8256306 |
| XC16-048-230 | TXV | 45500 | 15.5 | 11.7 | C35-50/60C | EL296UH090XV48C | 8256318 |
| XC16-048-230 | TXV | 45500 | 15 | 11.7 | C35-50/60C | EL296UH090XV60C | 8256319 |
| XC16-048-230 | TXV | 45500 | 15.5 | 12 | C35-50/60C | EL296UH110XE60C | 8256307 |
| XC16-048-230 | TXV | 45000 | 15.5 | 11.7 | C35-50/60C | EL296UH110XV48C | 8256314 |
| XC16-048-230 | TXV | 45500 | 15.5 | 11.7 | C35-50/60C | EL296UH110XV60C | 8256315 |
| XC16-048-230 | TXV | 45500 | 15.5 | 11.7 | C35-50/60C | SL280UH090V60C | 8256316 |
| XC16-048-230 | TXV | 45500 | 15.5 | 11.7 | C35-50/60C | SL280UH090XV60C | 8256303 |
| XC16-048-230 | TXV | 45500 | 15.5 | 11.7 | C35-50/60C | SL280UH110V60C | 8256311 |
| XC16-048-230 | TXV | 45500 | 15.5 | 11.7 | C35-50/60C | SL280UH110XV60C | 8256304 |
| XC16-048-230 | TXV | 45500 | 15.5 | 11.7 | C35-50/60C | SLP98UH090XV48C | 8256312 |
| XC16-048-230 | TXV | 45500 | 15.5 | 11.7 | C35-50/60C | SLP98UH090XV60C | 8256313 |
| XC16-048-230 | TXV | 45500 | 15.5 | 11.7 | C35-50/60C | SLP98UH110XV60C | 8256310 |
| XC16-048-230 | TXV | 47000 | 16 | 12.5 | C35-60C | EL180UH090E60C | 8256366 |
| XC16-048-230 | TXV | 47000 | 16 | 12.5 | C35-60C | EL180UH110E60C | 8256363 |
| XC16-048-230 | TXV | 47000 | 16 | 12 | C35-60C | EL195UH090XE48C | 8256375 |
| XC16-048-230 | TXV | 47000 | 16 | 12 | C35-60C | EL195UH110XE60C | 8256376 |
| XC16-048-230 | TXV | 47000 | 16 | 12 | C35-60C | EL296UH090XE48C | 8256364 |
| XC16-048-230 | TXV | 47000 | 16 | 12 | C35-60C | EL296UH090XV48C | 8256372 |
| XC16-048-230 | TXV | 47000 | 16 | 12 | C35-60C | EL296UH090XV60C | 8256373 |
| XC16-048-230 | TXV | 47000 | 16 | 12 | C35-60C | EL296UH110XE60C | 8256365 |
| XC16-048-230 | TXV | 47000 | 16 | 12 | C35-60C | EL296UH110XV48C | 8256374 |
| XC16-048-230 | TXV | 47500 | 16 | 12 | C35-60C | EL296UH110XV60C | 8256369 |
| XC16-048-230 | TXV | 47500 | 16 | 12 | C35-60C | SL280UH090V60C | 8256377 |
| XC16-048-230 | TXV | 47000 | 16 | 12 | C35-60C | SL280UH090XV60C | 8256361 |
| XC16-048-230 | TXV | 47000 | 16 | 12 | C35-60C | SL280UH110V60C | 8256370 |
| XC16-048-230 | TXV | 47000 | 16 | 12 | C35-60C | SL280UH110XV60C | 8256362 |
| XC16-048-230 | TXV | 47000 | 16 | 12 | C35-60C | SLO185B124/141V60 | 8256359 |
| XC16-048-230 | TXV | 47000 | 16 | 12 | C35-60C | SLO185UF124/141V60 | 8256360 |
| XC16-048-230 | TXV | 47000 | 16 | 12 | C35-60C | SLP98UH090XV48C | 8256371 |
| XC16-048-230 | TXV | 47000 | 16 | 12 | C35-60C | SLP98UH090XV60C | 8256367 |
| XC16-048-230 | TXV | 47500 | 16 | 12 | C35-60C | SLP98UH110XV60C | 8256368 |
| XC16-048-230 | TXV | 47000 | 14.5 | 11.7 | C35-60C | | 8256358 |
| XC16-048-230 | TXV | 47000 | 16 | 12 | C35-60D | EL296UH135XV60D | 8256383 |
| XC16-048-230 | TXV | 47000 | 16 | 12 | C35-60D | SL280UH135V60D | 8256381 |
| XC16-048-230 | TXV | 46500 | 15.5 | 12.2 | C35-60D | SLO185B124/141V60 | 8256380 |
| XC16-048-230 | TXV | 46500 | 15.5 | 12.2 | C35-60D | SLO185UF124/141V60 | 8256379 |
| XC16-048-230 | TXV | 47000 | 16 | 12 | C35-60D | SLP98UH135XV60D | 8256382 |
| XC16-048-230 | TXV | 46500 | 14.5 | 11.7 | C35-60D | | 8256378 |
| XC16-048-230 | TXV | 47000 | 16 | 12.2 | CBA27UHE-048 | | 10259498 |
| XC16-048-230 | TXV | 46500 | 16 | 12.2 | CBA27UHE-060 | | 10259499 |
| XC16-048-230 | TXV | 47000 | 16 | 12 | CBX25UHV-048 | | 6970139 |
| XC16-048-230 | TXV | 46000 | 16 | 12 | CBX27UH-048 | | 6685156 |
| XC16-048-230 | TXV | 46500 | 16 | 12 | CBX27UH-060 | | 6685157 |
| XC16-048-230 | TXV | 46000 | 15 | 12 | CBX32M-048 | | 6685162 |
| XC16-048-230 | TXV | 47000 | 14 | 12 | CBX32M-060 | | 6685163 |
| XC16-048-230 | TXV | 46000 | 16 | 12 | CBX32MV-048 | | 6685164 |

Ratings AHRI Certified to AHRI Standard 210/240 (with 25 ft. of connecting refrigerant lines); 95°F outdoor air temperature, 80°F db / 67°F wb entering evaporator air.

All ratings include the use of a blower time delay relay (TDR). All Lennox variable-speed furnaces and Air Handlers have time delay capabilities. Other Furnaces and Air Handlers may require an optional time delay relay (58M81) for field installation. See furnace or air handler specifications to determine if relay is needed.

Also see Expansion Valve Kit Usage Table.

AHRI SYSTEM MATCHES - SOUTHWEST REGION

NOTE - For the latest up-to-date system matches please visit the AHRI web site at <http://www.ahridirectory.org>

| Model No. | Expansion Device | Capacity | SEER | EER | Coil or Air Handler | Furnace | AHRI Reference |
|--------------|------------------|----------|------|------|---------------------|-----------------|----------------|
| XC16-048-230 | TXV | 47000 | 16 | 12 | CBX32MV-060 | | 6685165 |
| XC16-048-230 | TXV | 47000 | 16 | 12 | CBX32MV-068 | | 6685166 |
| XC16-048-230 | TXV | 45500 | 15.5 | 12 | CBX40UHV-048 | | 6685441 |
| XC16-048-230 | TXV | 46000 | 15.5 | 12 | CBX40UHV-060 | | 6685442 |
| XC16-048-230 | TXV | 45000 | 15.5 | 12 | CH23-65 | EL296UH135XV60D | 6685188 |
| XC16-048-230 | TXV | 45000 | 15.5 | 12 | CH23-65 | SL280UH090V60C | 6677936 |
| XC16-048-230 | TXV | 45000 | 15.5 | 12 | CH23-65 | SL280UH090XV48B | 6685494 |
| XC16-048-230 | TXV | 45000 | 15.5 | 12 | CH23-65 | SL280UH135V60D | 6685189 |
| XC16-048-230 | TXV | 45000 | 15.5 | 11.7 | CH23-65 | SLP98UH110XV60C | 6685192 |
| XC16-048-230 | TXV | 45000 | 15.5 | 12 | CH23-65 | SLP98UH135XV60D | 6685193 |
| XC16-048-230 | TXV | 46500 | 15.5 | 12.2 | CH23-68 | EL180UH090E60C | 6685454 |
| XC16-048-230 | TXV | 46000 | 15.5 | 12.2 | CH23-68 | EL180UH110E60C | 6685455 |
| XC16-048-230 | TXV | 46500 | 15.5 | 12.2 | CH23-68 | EL195UH090XE48C | 6685194 |
| XC16-048-230 | TXV | 46500 | 16 | 12 | CH23-68 | EL195UH110XE60C | 6685195 |
| XC16-048-230 | TXV | 46000 | 15.5 | 12 | CH23-68 | EL296UH090XE48C | 6685456 |
| XC16-048-230 | TXV | 46000 | 15.5 | 12 | CH23-68 | EL296UH110XE60C | 6685457 |
| XC16-048-230 | TXV | 46500 | 16 | 12 | CH23-68 | EL296UH135XV60D | 6685196 |
| XC16-048-230 | TXV | 46500 | 16 | 12 | CH23-68 | SL280UH135V60D | 6685197 |
| XC16-048-230 | TXV | 46500 | 16 | 12 | CH23-68 | SLP98UH135XV60D | 6685198 |
| XC16-048-230 | TXV | 46500 | 15.5 | 12 | CH33-43 | SL280UH090V48B | 6685458 |
| XC16-048-230 | TXV | 46500 | 15.5 | 12 | CH33-43 | SL280UH090XV48B | 6685459 |
| XC16-048-230 | TXV | 46000 | 15.5 | 12.2 | CH33-43C | EL180UH090E60C | 6677938 |
| XC16-048-230 | TXV | 45500 | 15.5 | 12.2 | CH33-43C | EL180UH110E60C | 6677939 |
| XC16-048-230 | TXV | 45500 | 15 | 11.7 | CH33-43C | EL195UH090XE48C | 6685199 |
| XC16-048-230 | TXV | 46000 | 15 | 11.7 | CH33-43C | EL195UH110XE60C | 6685200 |
| XC16-048-230 | TXV | 45500 | 15.5 | 11.7 | CH33-43C | EL296UH090XE48C | 6685460 |
| XC16-048-230 | TXV | 46000 | 15.5 | 12 | CH33-43C | EL296UH110XE60C | 6685461 |
| XC16-048-230 | TXV | 45500 | 15.5 | 11.7 | CH33-43C | EL296UH110XV48C | 6685201 |
| XC16-048-230 | TXV | 45500 | 15.5 | 11.7 | CH33-44/48 | EL180UH090E48B | 6685462 |
| XC16-048-230 | TXV | 45500 | 15.5 | 11.7 | CH33-48 | EL296UH090XV48C | 6685205 |
| XC16-048-230 | TXV | 45500 | 15 | 11.7 | CH33-48 | EL296UH090XV60C | 6685206 |
| XC16-048-230 | TXV | 45500 | 15.5 | 11.7 | CH33-48 | EL296UH110XV48C | 6685207 |
| XC16-048-230 | TXV | 45500 | 15.5 | 11.7 | CH33-48 | EL296UH110XV60C | 6685208 |
| XC16-048-230 | TXV | 45500 | 15.5 | 11.7 | CH33-48 | SL280UH090V60C | 6685209 |
| XC16-048-230 | TXV | 45500 | 15.5 | 11.7 | CH33-48 | SL280UH090XV60C | 6685465 |
| XC16-048-230 | TXV | 45500 | 15.5 | 11.7 | CH33-48 | SL280UH110V60C | 6685210 |
| XC16-048-230 | TXV | 45500 | 15.5 | 11.7 | CH33-48 | SL280UH110XV60C | 6685466 |
| XC16-048-230 | TXV | 45500 | 15.5 | 11.7 | CH33-48 | SLP98UH090XV48C | 6685211 |
| XC16-048-230 | TXV | 45500 | 15.5 | 11.7 | CH33-48 | SLP98UH090XV60C | 6685212 |
| XC16-048-230 | TXV | 45500 | 15.5 | 11.7 | CH33-48 | SLP98UH110XV60C | 6685213 |
| XC16-048-230 | TXV | 45500 | 15.5 | 12 | CH33-48C | EL180UH090E60C | 6685467 |
| XC16-048-230 | TXV | 45500 | 15.5 | 12.2 | CH33-48C | EL180UH110E60C | 6685468 |
| XC16-048-230 | TXV | 45000 | 15 | 11.7 | CH33-48C | EL195UH090XE48C | 6685203 |
| XC16-048-230 | TXV | 46000 | 15 | 11.7 | CH33-48C | EL195UH110XE60C | 6685204 |
| XC16-048-230 | TXV | 45500 | 15.5 | 11.7 | CH33-48C | EL296UH090XE48C | 6685469 |
| XC16-048-230 | TXV | 45500 | 15.5 | 12 | CH33-48C | EL296UH110XE60C | 6685470 |
| XC16-048-230 | TXV | 46500 | 15.5 | 12 | CH33-49 | EL296UH090XV48C | 6685214 |
| XC16-048-230 | TXV | 46500 | 15.5 | 12 | CH33-49 | EL296UH090XV60C | 6685215 |
| XC16-048-230 | TXV | 46500 | 15.5 | 12 | CH33-49 | EL296UH110XV48C | 6685216 |
| XC16-048-230 | TXV | 46500 | 15.5 | 12 | CH33-49 | EL296UH110XV60C | 6685217 |
| XC16-048-230 | TXV | 46500 | 16 | 12 | CH33-49 | SL280UH090V60C | 6685218 |

Ratings AHRI Certified to AHRI Standard 210/240 (with 25 ft. of connecting refrigerant lines); 95°F outdoor air temperature, 80°F db / 67°F wb entering evaporator air.

All ratings include the use of a blower time delay relay (TDR). All Lennox variable-speed furnaces and Air Handlers have time delay capabilities. Other Furnaces and Air Handlers may require an optional time delay relay (**58M81**) for field installation. See furnace or air handler specifications to determine if relay is needed.

Also see Expansion Valve Kit Usage Table.

AHRI SYSTEM MATCHES - SOUTHWEST REGION

NOTE - For the latest up-to-date system matches please visit the AHRI web site at <http://www.ahridirectory.org>

| Model No. | Expansion Device | Capacity | SEER | EER | Coil or Air Handler | Furnace | AHRI Reference |
|--------------|------------------|----------|------|------|---------------------|-----------------|----------------|
| XC16-048-230 | TXV | 46500 | 16 | 12 | CH33-49 | SL280UH090XV60C | 6685471 |
| XC16-048-230 | TXV | 46500 | 15.5 | 12 | CH33-49 | SL280UH110V60C | 6685219 |
| XC16-048-230 | TXV | 46500 | 15.5 | 12 | CH33-49 | SL280UH110XV60C | 6685472 |
| XC16-048-230 | TXV | 46500 | 15.5 | 12 | CH33-49 | SLP98UH090XV48C | 6685220 |
| XC16-048-230 | TXV | 46500 | 15.5 | 12 | CH33-49 | SLP98UH090XV60C | 6685221 |
| XC16-048-230 | TXV | 46500 | 15.5 | 12 | CH33-49 | SLP98UH110XV60C | 6685222 |
| XC16-048-230 | TXV | 46000 | 15.5 | 11.7 | CH33-50/60C | CBWMV-60C-100 | 6685473 |
| XC16-048-230 | TXV | 46000 | 16 | 12 | CH33-50/60C | EL180UH090E60C | 6685474 |
| XC16-048-230 | TXV | 46000 | 16 | 12 | CH33-50/60C | EL180UH110E60C | 6685475 |
| XC16-048-230 | TXV | 46000 | 15.5 | 12 | CH33-50/60C | EL195UH090XE48C | 6685223 |
| XC16-048-230 | TXV | 46500 | 15.5 | 11.7 | CH33-50/60C | EL195UH110XE60C | 6685224 |
| XC16-048-230 | TXV | 46000 | 15.5 | 12 | CH33-50/60C | EL296UH090XE48C | 6685496 |
| XC16-048-230 | TXV | 46000 | 15.5 | 12 | CH33-50/60C | EL296UH090XE48C | 6677940 |
| XC16-048-230 | TXV | 46000 | 15.5 | 11.7 | CH33-50/60C | EL296UH090XV48C | 6685225 |
| XC16-048-230 | TXV | 46000 | 15.5 | 11.7 | CH33-50/60C | EL296UH090XV60C | 6685226 |
| XC16-048-230 | TXV | 46000 | 15.5 | 12 | CH33-50/60C | EL296UH110XE60C | 6685497 |
| XC16-048-230 | TXV | 46000 | 15.5 | 12 | CH33-50/60C | EL296UH110XE60C | 6677941 |
| XC16-048-230 | TXV | 46000 | 15.5 | 12 | CH33-50/60C | EL296UH110XV48C | 6685227 |
| XC16-048-230 | TXV | 46000 | 15.5 | 11.7 | CH33-50/60C | EL296UH110XV60C | 6685228 |
| XC16-048-230 | TXV | 46500 | 16 | 12 | CH33-50/60C | SL280UH090V60C | 6685229 |
| XC16-048-230 | TXV | 46500 | 15.5 | 12.2 | CH33-50/60C | SL280UH090XV60C | 6685476 |
| XC16-048-230 | TXV | 46000 | 15.5 | 12 | CH33-50/60C | SL280UH110V60C | 6685230 |
| XC16-048-230 | TXV | 46000 | 15.5 | 12 | CH33-50/60C | SL280UH110XV60C | 6685477 |
| XC16-048-230 | TXV | 46000 | 15.5 | 11.7 | CH33-50/60C | SLP98UH090XV48C | 6685231 |
| XC16-048-230 | TXV | 46000 | 15.5 | 11.7 | CH33-50/60C | SLP98UH090XV60C | 6685232 |
| XC16-048-230 | TXV | 46000 | 15.5 | 11.7 | CH33-50/60C | SLP98UH110XV60C | 6685233 |
| XC16-048-230 | TXV | 46000 | 16 | 12 | CH33-60D | EL296UH135XV60D | 6685234 |
| XC16-048-230 | TXV | 46000 | 16 | 12 | CH33-60D | SL280UH135V60D | 6685235 |
| XC16-048-230 | TXV | 46000 | 15.5 | 12 | CH33-60D | SLP98UH135XV60D | 6685236 |
| XC16-048-230 | TXV | 46500 | 16 | 12 | CH33-62D | EL296UH135XV60D | 6685237 |
| XC16-048-230 | TXV | 46500 | 16 | 12 | CH33-62D | SL280UH135V60D | 6685238 |
| XC16-048-230 | TXV | 46500 | 16 | 12 | CH33-62D | SLP98UH135XV60D | 6685239 |
| XC16-048-230 | TXV | 47000 | 15.5 | 12 | CH35-42B | SL280UH090V48B | 7166465 |
| XC16-048-230 | TXV | 47000 | 15.5 | 12 | CH35-42B | SL280UH090XV48B | 7166466 |
| XC16-048-230 | TXV | 46500 | 14.5 | 11.7 | CH35-42B | | 7166463 |
| XC16-048-230 | TXV | 46000 | 15.5 | 12 | CH35-42C | EL180UH090E60C | 7166467 |
| XC16-048-230 | TXV | 46000 | 15.5 | 12 | CH35-42C | EL180UH110E60C | 7166468 |
| XC16-048-230 | TXV | 45500 | 15.1 | 11.7 | CH35-42C | EL195UH090XE48C | 7166469 |
| XC16-048-230 | TXV | 46500 | 15.1 | 11.7 | CH35-42C | EL195UH110XE60C | 7166470 |
| XC16-048-230 | TXV | 46000 | 15.5 | 12 | CH35-42C | EL296UH090XE48C | 7166471 |
| XC16-048-230 | TXV | 46000 | 15.5 | 12 | CH35-42C | EL296UH110XE60C | 7166473 |
| XC16-048-230 | TXV | 46000 | 15.5 | 12 | CH35-42C | EL296UH110XV48C | 7166472 |
| XC16-048-230 | TXV | 45500 | 15.5 | 11.7 | CH35-48B | EL180UH090E48B | 7166474 |
| XC16-048-230 | TXV | 46000 | 15.5 | 12 | CH35-48C | EL180UH090E60C | 7166479 |
| XC16-048-230 | TXV | 45500 | 15.5 | 12 | CH35-48C | EL180UH110E60C | 7166480 |
| XC16-048-230 | TXV | 45500 | 15.1 | 11.7 | CH35-48C | EL195UH090XE48C | 7166481 |
| XC16-048-230 | TXV | 46000 | 15.1 | 11.7 | CH35-48C | EL195UH110XE60C | 7166482 |
| XC16-048-230 | TXV | 45500 | 15.5 | 11.7 | CH35-48C | EL296UH090XV48C | 7166483 |
| XC16-048-230 | TXV | 45500 | 15.1 | 11.7 | CH35-48C | EL296UH090XV60C | 7166484 |
| XC16-048-230 | TXV | 46000 | 15.5 | 12 | CH35-48C | EL296UH110XE60C | 7166487 |
| XC16-048-230 | TXV | 45500 | 15.5 | 11.7 | CH35-48C | EL296UH110XV48C | 7166485 |

Ratings AHRI Certified to AHRI Standard 210/240 (with 25 ft. of connecting refrigerant lines); 95°F outdoor air temperature, 80°F db / 67°F wb entering evaporator air.

All ratings include the use of a blower time delay relay (TDR). All Lennox variable-speed furnaces and Air Handlers have time delay capabilities. Other Furnaces and Air Handlers may require an optional time delay relay (58M81) for field installation. See furnace or air handler specifications to determine if relay is needed.

Also see Expansion Valve Kit Usage Table.

AHRI SYSTEM MATCHES - SOUTHWEST REGION

NOTE - For the latest up-to-date system matches please visit the AHRI web site at <http://www.ahridirectory.org>

| Model No. | Expansion Device | Capacity | SEER | EER | Coil or Air Handler | Furnace | AHRI Reference |
|--------------|------------------|----------|------|------|---------------------|-----------------|----------------|
| XC16-048-230 | TXV | 46000 | 15.5 | 11.7 | CH35-48C | EL296UH110XV60C | 7166486 |
| XC16-048-230 | TXV | 46000 | 15.5 | 12 | CH35-48C | SL280UH090V60C | 7165614 |
| XC16-048-230 | TXV | 46000 | 15.5 | 12 | CH35-48C | SL280UH090XV60C | 7166488 |
| XC16-048-230 | TXV | 45500 | 15.5 | 11.7 | CH35-48C | SL280UH110V60C | 7165615 |
| XC16-048-230 | TXV | 45500 | 15.5 | 11.7 | CH35-48C | SL280UH110XV60C | 7166489 |
| XC16-048-230 | TXV | 45500 | 15.5 | 11.7 | CH35-48C | SLP98UH090XV48C | 7165616 |
| XC16-048-230 | TXV | 45500 | 15.5 | 11.7 | CH35-48C | SLP98UH090XV60C | 7165617 |
| XC16-048-230 | TXV | 46000 | 15.5 | 11.7 | CH35-48C | SLP98UH110XV60C | 7165618 |
| XC16-048-230 | TXV | 46500 | 15.5 | 12 | CH35-51C | CBWMV-60C-100 | 7166497 |
| XC16-048-230 | TXV | 46500 | 16 | 12 | CH35-51C | EL180UH090E60C | 7166498 |
| XC16-048-230 | TXV | 46500 | 16 | 12 | CH35-51C | EL180UH110E60C | 7166499 |
| XC16-048-230 | TXV | 46000 | 15.5 | 12 | CH35-51C | EL195UH090XE48C | 7166500 |
| XC16-048-230 | TXV | 47000 | 15.5 | 11.7 | CH35-51C | EL195UH110XE60C | 7166501 |
| XC16-048-230 | TXV | 46500 | 15.5 | 12 | CH35-51C | EL296UH090XV48C | 7166490 |
| XC16-048-230 | TXV | 46500 | 15.5 | 12 | CH35-51C | EL296UH090XV60C | 7166491 |
| XC16-048-230 | TXV | 46500 | 16 | 12 | CH35-51C | EL296UH110XE60C | 7166502 |
| XC16-048-230 | TXV | 46500 | 15.5 | 12 | CH35-51C | EL296UH110XV48C | 7166492 |
| XC16-048-230 | TXV | 46500 | 15.5 | 12 | CH35-51C | EL296UH110XV60C | 7166493 |
| XC16-048-230 | TXV | 46500 | 16 | 12 | CH35-51C | SL280UH090V60C | 7165619 |
| XC16-048-230 | TXV | 46500 | 16 | 12 | CH35-51C | SL280UH090XV60C | 7166494 |
| XC16-048-230 | TXV | 46500 | 15.5 | 12 | CH35-51C | SL280UH110V60C | 7165620 |
| XC16-048-230 | TXV | 46500 | 15.5 | 12 | CH35-51C | SL280UH110XV60C | 7166495 |
| XC16-048-230 | TXV | 46500 | 15.5 | 12 | CH35-51C | SLP98UH090XV48C | 7165621 |
| XC16-048-230 | TXV | 46500 | 15.5 | 12 | CH35-51C | SLP98UH090XV60C | 7165622 |
| XC16-048-230 | TXV | 46500 | 15.5 | 12 | CH35-51C | SLP98UH110XV60C | 7165623 |
| XC16-048-230 | TXV | 46500 | 14.5 | 11.7 | CH35-51C | | 7166496 |
| XC16-048-230 | TXV | 47000 | 16 | 12 | CH35-60D | EL296UH135XV60D | 7166504 |
| XC16-048-230 | TXV | 46500 | 16 | 12 | CH35-60D | SL280UH135V60D | 7165624 |
| XC16-048-230 | TXV | 46500 | 16 | 12 | CH35-60D | SLP98UH135XV60D | 7165625 |
| XC16-048-230 | TXV | 45000 | 15.5 | 12 | CR33-50/60 | EL180DF110E60C | 6685484 |
| XC16-048-230 | TXV | 45000 | 15 | 11.7 | CR33-50/60 | EL195DF090XE48C | 6685246 |
| XC16-048-230 | TXV | 45000 | 15 | 11.7 | CR33-50/60 | EL195DF110XE60C | 6685247 |
| XC16-048-230 | TXV | 45000 | 15 | 11.7 | CR33-50/60 | EL296DF090XE48C | 6685485 |
| XC16-048-230 | TXV | 45000 | 15 | 11.7 | CR33-50/60 | EL296DF090XV60C | 6685248 |
| XC16-048-230 | TXV | 45000 | 15 | 11.7 | CR33-50/60 | EL296DF110XE60C | 6685486 |
| XC16-048-230 | TXV | 45000 | 15.5 | 11.7 | CR33-50/60 | SL280DF090V60C | 6685251 |
| XC16-048-230 | TXV | 45000 | 15.5 | 12 | CR33-50/60 | SL280DF110V60C | 6685252 |
| XC16-048-230 | TXV | 45000 | 15 | 11.7 | CR33-50/60 | SLP98DF090XV60C | 6685488 |
| XC16-048-230 | TXV | 45000 | 15 | 11.7 | CR33-50/60 | SLP98DF110XV60C | 6685489 |
| XC16-048-230 | TXV | 46000 | 15.5 | 12 | CX35-48B | EL180UH090E48B | 8256320 |
| XC16-048-230 | TXV | 45500 | 15 | 11.7 | CX35-48B | SL280UH090V48B | 10514225 |
| XC16-048-230 | TXV | 46500 | 16 | 12 | CX35-49C | EL180UH090E60C | 8256328 |
| XC16-048-230 | TXV | 46500 | 16 | 12 | CX35-49C | EL180UH110E60C | 8256329 |
| XC16-048-230 | TXV | 46500 | 15.5 | 12.2 | CX35-49C | EL195UH090XE48C | 8256338 |
| XC16-048-230 | TXV | 46500 | 16 | 12 | CX35-49C | EL195UH110XE60C | 8256339 |
| XC16-048-230 | TXV | 46500 | 15.5 | 12 | CX35-49C | EL296UH090XE48C | 8256325 |
| XC16-048-230 | TXV | 46500 | 16 | 12 | CX35-49C | EL296UH090XV48C | 8256335 |
| XC16-048-230 | TXV | 46500 | 15.5 | 12 | CX35-49C | EL296UH090XV60C | 8256336 |
| XC16-048-230 | TXV | 46500 | 16 | 12 | CX35-49C | EL296UH110XE60C | 8256326 |
| XC16-048-230 | TXV | 46500 | 16 | 12 | CX35-49C | EL296UH110XV48C | 8256337 |
| XC16-048-230 | TXV | 46500 | 16 | 12 | CX35-49C | EL296UH110XV60C | 8256332 |

Ratings AHRI Certified to AHRI Standard 210/240 (with 25 ft. of connecting refrigerant lines); 95°F outdoor air temperature, 80°F db / 67°F wb entering evaporator air.

All ratings include the use of a blower time delay relay (TDR). All Lennox variable-speed furnaces and Air Handlers have time delay capabilities. Other Furnaces and Air Handlers may require an optional time delay relay (**58M81**) for field installation. See furnace or air handler specifications to determine if relay is needed.

Also see Expansion Valve Kit Usage Table.

AHRI SYSTEM MATCHES - SOUTHWEST REGION

NOTE - For the latest up-to-date system matches please visit the AHRI web site at <http://www.ahridirectory.org>

| Model No. | Expansion Device | Capacity | SEER | EER | Coil or Air Handler | Furnace | AHRI Reference |
|--------------|------------------|----------|------|------|---------------------|--------------------|----------------|
| XC16-048-230 | TXV | 47000 | 16 | 12 | CX35-49C | SL280UH090V60C | 8256333 |
| XC16-048-230 | TXV | 46500 | 16 | 12 | CX35-49C | SL280UH090XV60C | 8256327 |
| XC16-048-230 | TXV | 46500 | 16 | 12 | CX35-49C | SL280UH110V60C | 8256334 |
| XC16-048-230 | TXV | 46500 | 16 | 12 | CX35-49C | SL280UH110XV60C | 8256324 |
| XC16-048-230 | TXV | 46500 | 15.5 | 12.2 | CX35-49C | SLO185B124/141V60 | 8256321 |
| XC16-048-230 | TXV | 46500 | 15.5 | 12.2 | CX35-49C | SLO185UF124/141V60 | 8256322 |
| XC16-048-230 | TXV | 46500 | 16 | 12 | CX35-49C | SLP98UH090XV48C | 8256330 |
| XC16-048-230 | TXV | 46500 | 16 | 12 | CX35-49C | SLP98UH090XV60C | 8256331 |
| XC16-048-230 | TXV | 46500 | 16 | 12 | CX35-49C | SLP98UH110XV60C | 8256340 |
| XC16-048-230 | TXV | 46500 | 14.5 | 11.7 | CX35-49C | | 8256323 |
| XC16-048-230 | TXV | 45500 | 15.5 | 11.7 | CX35-50/60C | CBWMV-60C-100 | 8256346 |
| XC16-048-230 | TXV | 45500 | 15.5 | 12 | CX35-50/60C | EL180UH090E60C | 8256347 |
| XC16-048-230 | TXV | 45000 | 15.5 | 12 | CX35-50/60C | EL180UH110E60C | 8256343 |
| XC16-048-230 | TXV | 45000 | 15 | 11.7 | CX35-50/60C | EL195UH090XE48C | 8256355 |
| XC16-048-230 | TXV | 45500 | 15 | 11.7 | CX35-50/60C | EL296UH090XE48C | 8256344 |
| XC16-048-230 | TXV | 45500 | 15.5 | 11.7 | CX35-50/60C | EL296UH090XV48C | 8256356 |
| XC16-048-230 | TXV | 45500 | 15 | 11.7 | CX35-50/60C | EL296UH090XV60C | 8256357 |
| XC16-048-230 | TXV | 45500 | 15.5 | 12 | CX35-50/60C | EL296UH110XE60C | 8256345 |
| XC16-048-230 | TXV | 45000 | 15.5 | 11.7 | CX35-50/60C | EL296UH110XV48C | 8256352 |
| XC16-048-230 | TXV | 45500 | 15.5 | 11.7 | CX35-50/60C | EL296UH110XV60C | 8256353 |
| XC16-048-230 | TXV | 45500 | 15.5 | 11.7 | CX35-50/60C | SL280UH090V60C | 8256354 |
| XC16-048-230 | TXV | 45500 | 15.5 | 11.7 | CX35-50/60C | SL280UH090XV60C | 8256341 |
| XC16-048-230 | TXV | 45500 | 15.5 | 11.7 | CX35-50/60C | SL280UH110V60C | 8256349 |
| XC16-048-230 | TXV | 45500 | 15.5 | 11.7 | CX35-50/60C | SL280UH110XV60C | 8256342 |
| XC16-048-230 | TXV | 45500 | 15.5 | 11.7 | CX35-50/60C | SLP98UH090XV48C | 8256350 |
| XC16-048-230 | TXV | 45500 | 15.5 | 11.7 | CX35-50/60C | SLP98UH090XV60C | 8256351 |
| XC16-048-230 | TXV | 45500 | 15.5 | 11.7 | CX35-50/60C | SLP98UH110XV60C | 8256348 |
| XC16-048-230 | TXV | 47000 | 16 | 12.5 | CX35-60C | EL180UH090E60C | 8256392 |
| XC16-048-230 | TXV | 47000 | 16 | 12.5 | CX35-60C | EL180UH110E60C | 8256389 |
| XC16-048-230 | TXV | 47000 | 16 | 12 | CX35-60C | EL195UH090XE48C | 8256401 |
| XC16-048-230 | TXV | 47000 | 16 | 12 | CX35-60C | EL195UH110XE60C | 8256402 |
| XC16-048-230 | TXV | 47000 | 16 | 12 | CX35-60C | EL296UH090XE48C | 8256390 |
| XC16-048-230 | TXV | 47000 | 16 | 12 | CX35-60C | EL296UH090XV48C | 8256398 |
| XC16-048-230 | TXV | 47000 | 16 | 12 | CX35-60C | EL296UH090XV60C | 8256399 |
| XC16-048-230 | TXV | 47000 | 16 | 12 | CX35-60C | EL296UH110XE60C | 8256391 |
| XC16-048-230 | TXV | 47000 | 16 | 12 | CX35-60C | EL296UH110XV48C | 8256400 |
| XC16-048-230 | TXV | 47500 | 16 | 12 | CX35-60C | EL296UH110XV60C | 8256395 |
| XC16-048-230 | TXV | 47500 | 16.5 | 12.2 | CX35-60C | SL280UH090V60C | 8256403 |
| XC16-048-230 | TXV | 47000 | 16 | 12 | CX35-60C | SL280UH090XV60C | 8256387 |
| XC16-048-230 | TXV | 47000 | 16 | 12 | CX35-60C | SL280UH110V60C | 8256396 |
| XC16-048-230 | TXV | 47000 | 16 | 12 | CX35-60C | SL280UH110XV60C | 8256388 |
| XC16-048-230 | TXV | 47000 | 16 | 12 | CX35-60C | SLO185B124/141V60 | 8256385 |
| XC16-048-230 | TXV | 47000 | 16 | 12 | CX35-60C | SLO185UF124/141V60 | 8256384 |
| XC16-048-230 | TXV | 47000 | 16 | 12 | CX35-60C | SLP98UH090XV48C | 8256397 |
| XC16-048-230 | TXV | 47000 | 16 | 12 | CX35-60C | SLP98UH090XV60C | 8256393 |
| XC16-048-230 | TXV | 47500 | 16 | 12 | CX35-60C | SLP98UH110XV60C | 8256394 |
| XC16-048-230 | TXV | 47000 | 14.5 | 11.7 | CX35-60C | | 8256386 |
| XC16-048-230 | TXV | 47000 | 16 | 12 | CX35-60D | EL296UH135XV60D | 8256409 |
| XC16-048-230 | TXV | 47000 | 16 | 12 | CX35-60D | SL280UH135V60D | 8256407 |
| XC16-048-230 | TXV | 46500 | 15.5 | 12.2 | CX35-60D | SLO185B124/141V60 | 8256404 |
| XC16-048-230 | TXV | 46500 | 15.5 | 12.2 | CX35-60D | SLO185UF124/141V60 | 8256405 |

Ratings AHRI Certified to AHRI Standard 210/240 (with 25 ft. of connecting refrigerant lines); 95°F outdoor air temperature, 80°F db / 67°F wb entering evaporator air.

All ratings include the use of a blower time delay relay (TDR). All Lennox variable-speed furnaces and Air Handlers have time delay capabilities. Other Furnaces and Air Handlers may require an optional time delay relay (58M81) for field installation. See furnace or air handler specifications to determine if relay is needed.

Also see Expansion Valve Kit Usage Table.

AHRI SYSTEM MATCHES - SOUTHWEST REGION

NOTE - For the latest up-to-date system matches please visit the AHRI web site at <http://www.ahridirectory.org>

| Model No. | Expansion Device | Capacity | SEER | EER | Coil or Air Handler | Furnace | AHRI Reference |
|--------------|------------------|----------|------|------|---------------------|--------------------|----------------|
| XC16-048-230 | TXV | 47000 | 16 | 12 | CX35-60D | SLP98UH135XV60D | 8256408 |
| XC16-048-230 | TXV | 46500 | 14.5 | 11.7 | CX35-60D | | 8256406 |
| XC16-048-230 | TXV | 47500 | 16.5 | 12.2 | CX38-62C | SL280UH090V60C | 10558938 |
| XC16-060-230 | TXV | 56500 | 15 | 12 | C35-49C | EL180UH090E60C | 8256413 |
| XC16-060-230 | TXV | 56500 | 15 | 12 | C35-49C | EL180UH110E60C | 8256414 |
| XC16-060-230 | TXV | 56500 | 15 | 12 | C35-49C | EL195UH110XE60C | 8256415 |
| XC16-060-230 | TXV | 56500 | 15 | 12 | C35-49C | EL296UH110XE60C | 8256410 |
| XC16-060-230 | TXV | 56500 | 15 | 11.7 | C35-49C | SL280UH090V60C | 8256416 |
| XC16-060-230 | TXV | 56500 | 15 | 11.7 | C35-49C | SL280UH090XV60C | 8256411 |
| XC16-060-230 | TXV | 56500 | 15 | 11.7 | C35-49C | SL280UH110V60C | 8256417 |
| XC16-060-230 | TXV | 56500 | 15 | 11.7 | C35-49C | SL280UH110XV60C | 8256412 |
| XC16-060-230 | TXV | 55000 | 15 | 11.7 | C35-50/60C | EL180UH090E60C | 8256418 |
| XC16-060-230 | TXV | 55000 | 14.5 | 11.7 | C35-50/60C | EL180UH110E60C | 8256419 |
| XC16-060-230 | TXV | 55000 | 14.5 | 11.7 | C35-50/60C | EL180UH110XE60C | 8256420 |
| XC16-060-230 | TXV | 55000 | 15 | 11.7 | C35-50/60C | EL195UH110XE60C | 8256422 |
| XC16-060-230 | TXV | 55000 | 15 | 11.7 | C35-50/60C | EL296UH110XE60C | 8256421 |
| XC16-060-230 | TXV | 57500 | 15.5 | 12.2 | C35-60C | EL180UH090E60C | 8256431 |
| XC16-060-230 | TXV | 57500 | 15.5 | 12.2 | C35-60C | EL180UH110E60C | 8256428 |
| XC16-060-230 | TXV | 57500 | 15.5 | 12.2 | C35-60C | EL195UH110XE60C | 8256432 |
| XC16-060-230 | TXV | 57500 | 15.5 | 11.7 | C35-60C | EL296UH090XV60C | 8256433 |
| XC16-060-230 | TXV | 57500 | 15.5 | 12.2 | C35-60C | EL296UH110XE60C | 8256429 |
| XC16-060-230 | TXV | 57000 | 15.5 | 11.7 | C35-60C | EL296UH110XV60C | 8256435 |
| XC16-060-230 | TXV | 57500 | 16 | 12 | C35-60C | SL280UH090V60C | 8256426 |
| XC16-060-230 | TXV | 57500 | 15.5 | 12 | C35-60C | SL280UH090XV60C | 8256430 |
| XC16-060-230 | TXV | 57500 | 15.5 | 11.7 | C35-60C | SL280UH110V60C | 8256436 |
| XC16-060-230 | TXV | 57500 | 15 | 11.7 | C35-60C | SL280UH110XV60C | 8256427 |
| XC16-060-230 | TXV | 57000 | 15 | 12 | C35-60C | SLO185UF124/141V60 | 8256425 |
| XC16-060-230 | TXV | 57500 | 15.5 | 11.7 | C35-60C | SLP98UH090XV60C | 8256437 |
| XC16-060-230 | TXV | 57000 | 15.5 | 11.7 | C35-60C | SLP98UH110XV60C | 8256434 |
| XC16-060-230 | TXV | 57500 | 14.5 | 11.7 | C35-60C | | 8256423 |
| XC16-060-230 | TXV | 57000 | 15.5 | 12 | C35-60D | EL180UH135E60D | 8256438 |
| XC16-060-230 | TXV | 57000 | 15 | 11.7 | C35-60D | EL195UH135XE60D | 8256442 |
| XC16-060-230 | TXV | 57000 | 15 | 11.7 | C35-60D | EL296UH135XE60D | 8256439 |
| XC16-060-230 | TXV | 57000 | 15.5 | 11.7 | C35-60D | EL296UH135XV60D | 8256443 |
| XC16-060-230 | TXV | 57000 | 15.5 | 12 | C35-60D | SL280UH135V60D | 8256441 |
| XC16-060-230 | TXV | 57000 | 15.5 | 12 | C35-60D | SLP98UH135XV60D | 8256440 |
| XC16-060-230 | TXV | 57500 | 14.5 | 11.7 | C35-60D | | 8256424 |
| XC16-060-230 | TXV | 56000 | 15.1 | 11.7 | CBA27UHE-060 | | 10259500 |
| XC16-060-230 | TXV | 56500 | 14.5 | 11.7 | CBX25UH-060 | | 6564156 |
| XC16-060-230 | TXV | 56500 | 16 | 12 | CBX25UHV-060 | | 6970140 |
| XC16-060-230 | TXV | 56500 | 15.5 | 12 | CBX27UH-060 | | 6563962 |
| XC16-060-230 | TXV | 56500 | 14.5 | 11.7 | CBX32M-060 | | 6563963 |
| XC16-060-230 | TXV | 56000 | 15.5 | 11.7 | CBX32MV-048 | | 6563964 |
| XC16-060-230 | TXV | 56500 | 15.5 | 11.7 | CBX32MV-060 | | 6563965 |
| XC16-060-230 | TXV | 56500 | 15.5 | 12.2 | CBX32MV-068 | | 6563966 |
| XC16-060-230 | TXV | 55000 | 15 | 11.7 | CBX40UHV-048 | | 6564157 |
| XC16-060-230 | TXV | 55500 | 15 | 11.7 | CBX40UHV-060 | | 6564158 |
| XC16-060-230 | TXV | 57000 | 15 | 11.7 | CH23-68 | EL195UH135XE60D | 6563981 |
| XC16-060-230 | TXV | 57500 | 15.5 | 12 | CH23-68 | EL296UH135XV60D | 6563982 |
| XC16-060-230 | TXV | 57500 | 15.5 | 12 | CH23-68 | SL280UH135V60D | 6563984 |
| XC16-060-230 | TXV | 57000 | 15.5 | 12 | CH23-68 | SLP98UH135XV60D | 6563985 |

Ratings AHRI Certified to AHRI Standard 210/240 (with 25 ft. of connecting refrigerant lines); 95°F outdoor air temperature, 80°F db / 67°F wb entering evaporator air.

All ratings include the use of a blower time delay relay (TDR). All Lennox variable-speed furnaces and Air Handlers have time delay capabilities. Other Furnaces and Air Handlers may require an optional time delay relay (**58M81**) for field installation. See furnace or air handler specifications to determine if relay is needed.

Also see Expansion Valve Kit Usage Table.

AHRI SYSTEM MATCHES - SOUTHWEST REGION

NOTE - For the latest up-to-date system matches please visit the AHRI web site at <http://www.ahridirectory.org>

| Model No. | Expansion Device | Capacity | SEER | EER | Coil or Air Handler | Furnace | AHRI Reference |
|--------------|------------------|----------|-------|------|---------------------|-----------------|----------------|
| XC16-060-230 | TXV | 57500 | 14.5 | 11.7 | CH23-68 | | 6563980 |
| XC16-060-230 | TXV | 56000 | 15 | 11.7 | CH33-50/60C | EL180UH090E60C | 6564167 |
| XC16-060-230 | TXV | 56000 | 15 | 11.7 | CH33-50/60C | EL180UH110E60C | 6564168 |
| XC16-060-230 | TXV | 56000 | 15 | 11.7 | CH33-50/60C | EL180UH110XE60C | 6564169 |
| XC16-060-230 | TXV | 56000 | 15 | 11.7 | CH33-50/60C | EL195UH110XE60C | 6563988 |
| XC16-060-230 | TXV | 56000 | 15 | 11.7 | CH33-50/60C | EL296UH110XE60C | 6564170 |
| XC16-060-230 | TXV | 55500 | 15 | 11.7 | CH33-50/60C | SL280UH110XV60C | 6564165 |
| XC16-060-230 | TXV | 56000 | 15 | 11.7 | CH33-60D | CBWMV-60C-100 | 6563998 |
| XC16-060-230 | TXV | 56000 | 15 | 11.7 | CH33-60D | EL296UH135XV60D | 6564000 |
| XC16-060-230 | TXV | 56000 | 15 | 11.7 | CH33-60D | SL280UH135V60D | 6564002 |
| XC16-060-230 | TXV | 56000 | 15.5 | 11.7 | CH33-60D | SLP98UH135XV60D | 6564003 |
| XC16-060-230 | TXV | 56500 | 15.5 | 11.7 | CH33-62D | EL180UH135E60D | 6564172 |
| XC16-060-230 | TXV | 56500 | 15 | 11.7 | CH33-62D | EL195UH135XE60D | 6564005 |
| XC16-060-230 | TXV | 56500 | 15 | 11.7 | CH33-62D | EL296UH135XE60D | 6564171 |
| XC16-060-230 | TXV | 56500 | 15 | 11.7 | CH33-62D | EL296UH135XV60D | 6564006 |
| XC16-060-230 | TXV | 56000 | 15 | 12 | CH33-62D | SL280UH090V60C | 6564008 |
| XC16-060-230 | TXV | 56500 | 15.5 | 11.7 | CH33-62D | SL280UH090XV60C | 6564173 |
| XC16-060-230 | TXV | 56000 | 15 | 12 | CH33-62D | SL280UH110V60C | 6564009 |
| XC16-060-230 | TXV | 56500 | 15.5 | 11.7 | CH33-62D | SL280UH135V60D | 6564010 |
| XC16-060-230 | TXV | 56500 | 15.5 | 11.7 | CH33-62D | SLP98UH135XV60D | 6564011 |
| XC16-060-230 | TXV | 57000 | 15.5 | 12 | CH35-51C | CBWMV-60C-100 | 7165650 |
| XC16-060-230 | TXV | 57000 | 15.5 | 12 | CH35-51C | EL180UH090E60C | 7165627 |
| XC16-060-230 | TXV | 56500 | 15.25 | 12 | CH35-51C | EL180UH110E60C | 7165628 |
| XC16-060-230 | TXV | 56500 | 15.25 | 12 | CH35-51C | EL180UH110XE60C | 7165629 |
| XC16-060-230 | TXV | 56500 | 15.25 | 12 | CH35-51C | EL195UH110XE60C | 7165630 |
| XC16-060-230 | TXV | 56500 | 15.25 | 12 | CH35-51C | EL296UH110XE60C | 7165633 |
| XC16-060-230 | TXV | 57000 | 15.25 | 11.7 | CH35-51C | SL280UH090V60C | 7165634 |
| XC16-060-230 | TXV | 57000 | 15.75 | 12 | CH35-51C | SL280UH090XV60C | 7165635 |
| XC16-060-230 | TXV | 56000 | 15.25 | 11.7 | CH35-51C | SL280UH110XV60C | 7165637 |
| XC16-060-230 | TXV | 56500 | 15.5 | 11.7 | CH35-60D | EL180UH135E60D | 7165641 |
| XC16-060-230 | TXV | 56500 | 15 | 11.7 | CH35-60D | EL195UH135XE60D | 7165642 |
| XC16-060-230 | TXV | 56500 | 15 | 11.7 | CH35-60D | EL296UH135XE60D | 7165644 |
| XC16-060-230 | TXV | 56500 | 15.5 | 11.7 | CH35-60D | EL296UH135XV60D | 7165643 |
| XC16-060-230 | TXV | 56500 | 15.5 | 11.7 | CH35-60D | SL280UH135V60D | 7165645 |
| XC16-060-230 | TXV | 56500 | 15.5 | 11.7 | CH35-60D | SLP98UH135XV60D | 7165646 |
| XC16-060-230 | TXV | 56500 | 15 | 12 | CX35-49C | EL180UH090E60C | 8256446 |
| XC16-060-230 | TXV | 56500 | 15 | 12 | CX35-49C | EL180UH110XE60C | 8256447 |
| XC16-060-230 | TXV | 56500 | 15 | 12 | CX35-49C | EL195UH110XE60C | 8256450 |
| XC16-060-230 | TXV | 56500 | 15 | 11.7 | CX35-49C | SL280UH090V60C | 8256448 |
| XC16-060-230 | TXV | 56500 | 15 | 11.7 | CX35-49C | SL280UH090XV60C | 8256444 |
| XC16-060-230 | TXV | 56500 | 15 | 11.7 | CX35-49C | SL280UH110V60C | 8256449 |
| XC16-060-230 | TXV | 56500 | 15 | 11.7 | CX35-49C | SL280UH110XV60C | 8256445 |
| XC16-060-230 | TXV | 55000 | 15 | 11.7 | CX35-50/60C | EL180UH090E60C | 8256451 |
| XC16-060-230 | TXV | 55000 | 14.5 | 11.7 | CX35-50/60C | EL180UH110E60C | 8256452 |
| XC16-060-230 | TXV | 55000 | 14.5 | 11.7 | CX35-50/60C | EL180UH110XE60C | 8256453 |
| XC16-060-230 | TXV | 55000 | 15 | 11.7 | CX35-50/60C | EL195UH110XE60C | 8256455 |
| XC16-060-230 | TXV | 56500 | 15 | 12 | CX35-50/60C | EL296UH110XE60C | 8256454 |
| XC16-060-230 | TXV | 57500 | 15.5 | 12.2 | CX35-60C | EL180UH090E60C | 8256464 |
| XC16-060-230 | TXV | 57500 | 15.5 | 12.2 | CX35-60C | EL180UH110E60C | 8256461 |
| XC16-060-230 | TXV | 57500 | 15.5 | 12.2 | CX35-60C | EL195UH110XE60C | 8256465 |
| XC16-060-230 | TXV | 57500 | 15.5 | 12.2 | CX35-60C | EL296UH110XE60C | 8256463 |

Ratings AHRI Certified to AHRI Standard 210/240 (with 25 ft. of connecting refrigerant lines); 95°F outdoor air temperature, 80°F db / 67°F wb entering evaporator air.

All ratings include the use of a blower time delay relay (TDR). All Lennox variable-speed furnaces and Air Handlers have time delay capabilities. Other Furnaces and Air Handlers may require an optional time delay relay (**58M81**) for field installation. See furnace or air handler specifications to determine if relay is needed.

Also see Expansion Valve Kit Usage Table.

AHRI SYSTEM MATCHES - SOUTHWEST REGION

NOTE - For the latest up-to-date system matches please visit the AHRI web site at <http://www.ahridirectory.org>

| Model No. | Expansion Device | Capacity | SEER | EER | Coil or Air Handler | Furnace | AHRI Reference |
|--------------|------------------|----------|------|------|---------------------|--------------------|----------------|
| XC16-060-230 | TXV | 57500 | 16 | 12 | CX35-60C | SL280UH090V60C | 8256459 |
| XC16-060-230 | TXV | 57500 | 15.5 | 12 | CX35-60C | SL280UH090XV60C | 8256460 |
| XC16-060-230 | TXV | 57500 | 15.5 | 11.7 | CX35-60C | SL280UH110V60C | 8256466 |
| XC16-060-230 | TXV | 57500 | 15.5 | 12.2 | CX35-60C | SL280UH110XV60C | 8256462 |
| XC16-060-230 | TXV | 57000 | 15 | 12 | CX35-60C | SLO185UF124/141V60 | 8256456 |
| XC16-060-230 | TXV | 57500 | 15.5 | 11.7 | CX35-60C | SLP98UH090XV60C | 8256467 |
| XC16-060-230 | TXV | 57000 | 15.5 | 11.7 | CX35-60C | SLP98UH110XV60C | 8256468 |
| XC16-060-230 | TXV | 57500 | 14.5 | 11.7 | CX35-60C | | 8256457 |
| XC16-060-230 | TXV | 57000 | 15.5 | 12 | CX35-60D | EL180UH135E60D | 8256469 |
| XC16-060-230 | TXV | 57000 | 15 | 11.7 | CX35-60D | EL195UH135XE60D | 8256472 |
| XC16-060-230 | TXV | 56500 | 15 | 11.7 | CX35-60D | EL296UH135XE60D | 8256470 |
| XC16-060-230 | TXV | 57000 | 15.5 | 11.7 | CX35-60D | EL296UH135XV60D | 8256473 |
| XC16-060-230 | TXV | 57000 | 15.5 | 12 | CX35-60D | SL280UH135V60D | 8256474 |
| XC16-060-230 | TXV | 57000 | 15.5 | 12 | CX35-60D | SLP98UH135XV60D | 8256471 |
| XC16-060-230 | TXV | 57500 | 14.5 | 11.7 | CX35-60D | | 8256458 |
| XC16-060-230 | TXV | 57500 | 16 | 12 | CX38-62C | SL280UH090V60C | 10558974 |

Ratings AHRI Certified to AHRI Standard 210/240 (with 25 ft. of connecting refrigerant lines); 95°F outdoor air temperature, 80°F db / 67°F wb entering evaporator air.

All ratings include the use of a blower time delay relay (TDR). All Lennox variable-speed furnaces and Air Handlers have time delay capabilities. Other Furnaces and Air Handlers may require an optional time delay relay (**58M81**) for field installation. See furnace or air handler specifications to determine if relay is needed.

Also see Expansion Valve Kit Usage Table.

REVISIONS

| Sections | Description of Change |
|---------------------|-----------------------|
| AHRI System Matches | Updated |



Visit us at www.lennox.com

For the latest technical information, www.LennoxPROs.com

Contact us at 1-800-4-LENNOX

NOTE - Due to Lennox' ongoing commitment to quality, Specifications, Ratings and Dimensions subject to change without notice and without incurring liability. Improper installation, adjustment, alteration, service or maintenance can cause property damage or personal injury. Installation and service must be performed by a qualified installer and servicing agency.

©2017 Lennox Industries, Inc.