



ENGINEERING DATA

Bulletin No. 210568

April 2010

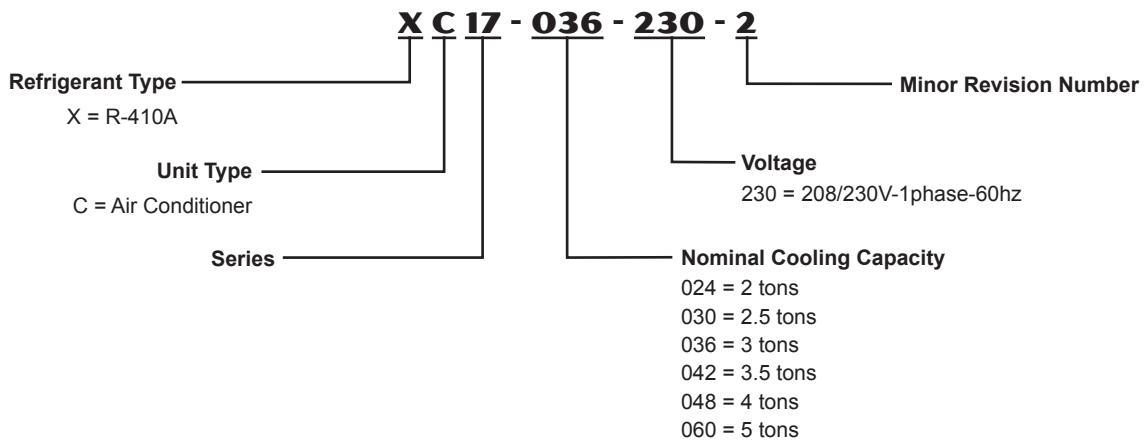


SEER up to 18.00

2 to 5 Tons

Cooling Capacity - 21,800 to 59,000 Btuh

MODEL NUMBER IDENTIFICATION



FEATURES

CONTENTS

AHRI System Matches.....	10
Dimensions.....	8
Electrical Data.....	6
Features.....	2
Field Wiring.....	7
Installation Clearances.....	7
Model Number Identification.....	1
Optional Accessories.....	6
Outdoor Sound Data.....	7
Specifications.....	6

EQUIPMENT WARRANTY

Compressor - limited warranty for **ten years** in residential installations and five years in non-residential installations.

All other covered components - **ten years** in residential installations and one year in non-residential installations.

Refer to Lennox Equipment Limited Warranty certificate included with unit for specific details.

APPLICATIONS

SEER up to 18.00

2 through 5 ton.

Sound levels as low as 62 dB.

Single phase power supply.

Vertical air discharge allows concealment behind shrubs at grade level or out of sight on a roof.

Matching add-on furnace indoor coils or air handlers provide a wide range of cooling capacities and applications. See AHRI System Matches.

See Indoor Coils and Air Handlers tab sections for data. Units shipped completely factory assembled, piped, and wired. Each unit is test operated at the factory insuring proper operation.

Installer must set air conditioner, connect refrigerant lines, and make electrical connections to complete job.

APPROVALS

Certified in accordance with USE certification program which is based on AHRI Standard 210/240-2008.

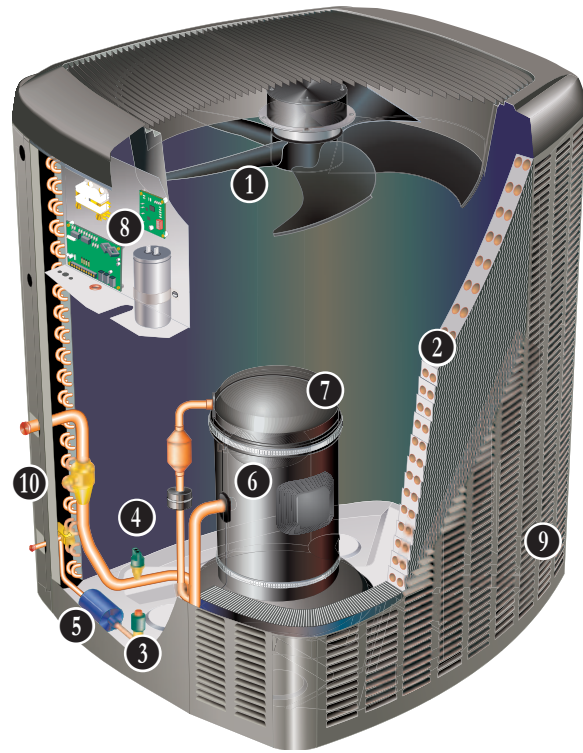
Sound rated in Lennox reverberant sound test room in accordance with test conditions included in AHRI Standard 270-2008.

Tested in the Lennox Research Laboratory environmental test room.

Rated according to U.S. Department of Energy (DOE) test procedures.

Air conditioners and components within bonded for grounding to meet safety standards for servicing required by UL and CEC.

Units are UL and ULC listed.



ISO 9001 Registered Manufacturing Quality System.

ENERGY STAR® certified units are designed to use less energy, help save money on utility bills, and help protect the environment. Many Lennox home comfort systems meet ENERGY STAR requirements when used with matching components.

REFRIGERATION SYSTEM

R-410A Refrigerant

Non-chlorine, ozone friendly, R-410A.

Unit pre-charged with refrigerant.

See Specification table.



1 Condenser Fan with SilentComfort™ Technology

Specially-designed, SilentComfort fan guard uses Passive Vortex Suppression to reduce air noise. Corrosion-resistant PVC (polyvinyl chloride) coated steel wire.

Specially designed fan blades reduce operating sound levels. Direct drive fan moves large air volumes uniformly through entire condenser coil for high refrigerant cooling capacity.

Vertical air discharge minimizes operating sounds and eliminates damage to lawn and shrubs.

Fan motor is inherently protected.

Motor totally enclosed for maximum protection from weather, dust and corrosion.

Fan service access accomplished by removal of fan guard.

FEATURES

REFRIGERATION SYSTEM (CONTINUED)

2 Copper Tube/Enhanced Fin Coil

Lennox designed and fabricated coil.

Ripple-edged aluminum fins.

Copper tube construction.

Lanced fins provide maximum exposure of fin surface to air stream resulting in excellent heat transfer.

Fin collars grip tubing for maximum contact area.

Flared shoulder tubing connections/silver soldering construction.

Coil is factory tested under high pressure to insure leakproof construction.

Entire coil is accessible for cleaning.

3 High Pressure Switch

Shuts off unit if abnormal operating conditions cause the discharge pressure to rise above setting.

Protects compressor from excessive condensing pressure.

Manual reset.

4 Low Pressure Switch

Shuts off unit if suction pressure falls below setting.

Provides loss of charge and freeze-up protection.

Automatic reset.

5 Hi-Capacity Liquid Line Drier

Factory installed in the liquid line, the drier traps moisture or dirt that could contaminate the refrigerant system.

100% molecular-sieve bead type drier.

OPTIONS

Expansion Valve Kits

Must be ordered extra and field installed on certain evaporator units. See TXV Substitution Table.

Chatleff style fitting.

Freezestat

Installs on or near the discharge line of the evaporator or on the suction line.

Senses suction line temperature and cycles the compressor off when suction line temperature falls below its setpoint.

Opens at 29°F and closes at 58°F.

Refrigerant Line Kits

Refrigerant lines (suction & liquid) are shipped refrigeration clean. Lines are cleaned, dried, pressurized, and sealed at factory.

Suction line fully insulated.

L15 lines are stubbed at both ends.

See Specifications table for selection.

Not available for -060 model and must be field fabricated.

COMPRESSOR

6 Scroll Compressor

Compressor features high efficiency with uniform suction flow, constant discharge flow and high volumetric efficiency and quiet operation.

Compressor consists of two involute spiral scrolls matched together to generate a series of crescent shaped gas pockets between them.

During compression, one scroll remains stationary while the other scroll orbits around it.

Gas is drawn into the outer pocket, the pocket is sealed as the scroll rotates.

As the spiral movement continues, gas pockets are pushed to the center of the scrolls. Volume between the pockets is simultaneously reduced.

When pocket reaches the center, gas is now at high pressure and is forced out of a port located in the center of the fixed scrolls.

During compression, several pockets are compressed simultaneously resulting in a smooth continuous compression cycle.

Continuous flank contact, maintained by centrifugal force, minimizes gas leakage and maximizes efficiency.

Scroll compressor is tolerant to the effects of slugging and contaminants. If this occurs, scrolls separate, allowing liquid or contaminants to be worked toward the center and discharged.

Low gas pulses during compression reduces operational sound levels.

Compressor motor is internally protected from excessive current and temperature.

Compressor is installed in the unit on resilient rubber mounts for vibration free operation.

Factory installed crankcase heater.

Crankcase Heater

Crankcase heater prevents migration of liquid refrigerant into compressor and ensures proper compressor lubrication.

7 Compressor Sound Cover

A Lennox-exclusive, sand-filled, polypropylene copolymer, compressor cover dramatically reduces compressor sound levels.



FEATURES

CONTROLS

8 Control Board

- Compressor anti-short cycle delay (5 minutes).
- High/Low voltage protection prevents unit operation when voltage is not within the specified range.
- Five minute delay between 1st and 2nd stage compressor operation (if available). User selectable with communicating thermostat - 1, 2, 3, 4 or 5 minutes. Default setting is 5 minutes.
- High and low pressure switch monitoring with provisions for lockout.
- Five-Strike lockout protection protects compressor.
- Discharge line temperature, outdoor air temperature and sensor monitoring.
- Lennox Humiditrol® Whole Home Dehumidification System (EDA) compatible.
- EEPROM storage of all local configurations.
- Non-volatile memory storage of 100 alarm codes with display of last 10 codes for troubleshooting.

Lennox® System Operations Monitor (Main Control Board Feature)

Onboard Lennox® System Operations Monitor (LSOM) provides detailed information for proper preventative maintenance and fast, easy servicing.

Displays the most common fault conditions (electrical and mechanical) through the ALERT and TRIP lights on the control board. ALERT LED (yellow) - communicates an abnormal system condition through a unique flash code. The ALERT LED will flash a number of times consecutively, pause and then repeat the process. The number of consecutive flashes, defined as the Flash Code, correlates to a particular abnormal condition. The codes can indicate one of the following: long run time, system pressure trip (discharge or suction pressure out-of-limits or compressor overloaded), short cycling, locked rotor, open circuit, open start circuit (current present only in run circuit), open run circuit (current present only in start circuit), welded contactor (compressor runs continuously), or low voltage (control circuit < 17VAC). TRIP LED (red) - indicates there is a demand signal from the thermostat but no current to the compressor is detected by the monitor.

OPTIONS

Compressor Hard Start Kit

Single-phase units are equipped with a PSC compressor motor.

This type of motor normally does not need a potential relay and start capacitor.

In conditions such as low voltage, kit may be required to increase the compressor starting torque.

Compressor Low Ambient Cut-Off

Non-adjustable switch (low ambient cut-out) prevents compressor operation when outdoor temperature is below 35°F.

Indoor Blower Off Delay Relay

Delays the indoor blower-off time during the cooling cycle. Required if outdoor unit is used with a conventional heating-cooling thermostat and air handler. See furnace or air handler specifications to determine if relay is needed.

Indoor Blower Speed Relay Kit

Relay kit provides optimum humidity control conditions by automatically reducing indoor blower speed during continuous fan or first-stage compressor operation.

Low Ambient Kit

Air conditioner will operate satisfactorily down to 45°F outdoor air temperature without any additional controls. Kit can be added in the field enabling unit to operate properly down to 30°F.

A Freezestat should be installed on compressors equipped with a low ambient kit.

A Compressor Low Ambient Cut-Off should be added to terminate compressor operation below recommended operation conditions.

FEATURES

CONTROLS (CONTINUED)

OPTIONS (CONTINUED)

ComfortSense® 7000 Touchscreen Thermostat

Electronic 7-day, universal, multi-stage, programmable, touchscreen thermostat.

4 Heat/2 Cool.

Auto-changeover.

Controls humidity during cooling mode.

Offers enhanced capabilities including humidification / dehumidification / dewpoint measurement and control, Humiditrol® control, and equipment maintenance reminders.

Easy-to-use, menu driven thermostat with a back-lit, LCD touchscreen.

Remote outdoor temperature sensor (optional) allows the thermostat to display outdoor temperature. Required in dual-fuel and Humiditrol® applications.

See the ComfortSense® 7000 Engineering Handbook bulletin in the Controls section for more information.

Outdoor Temperature Sensor

Used with ComfortSense® 7000 thermostat.

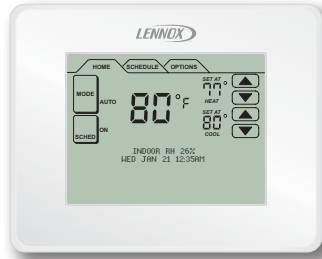
When installed outdoors, sensor allows thermostat to display outdoor temperature.

NOTE - Sensor is required for Humiditrol® applications.

Thermostat

Thermostat is not furnished with unit.

See Thermostat bulletins in Controls Section and Lennox Price Book for selection.



CABINET

Heavy-gauge steel construction

Pre-painted cabinet finish.

Painted base section.

Control box is conveniently located with all controls factory wired.

Large removable panel provides service access.

Drainage holes are provided in base section for moisture removal.

High density polyethylene unit support feet raise the unit off of the mounting surface, away from damaging moisture.

9 SmartHinge™ Louvered Coil Protection

Steel louvered panels provides complete coil protection.

Panels are hinged to allow easy cleaning and servicing of coils.

Panels may be completely removed.

Interlocking tabs and slots assure tight fit on cabinet.



10 Refrigerant Line Connections, Electrical Inlets and Service Valves

Suction and liquid lines are located on corner of unit cabinet and are made with sweat connections. See dimension drawing.

Fully serviceable brass service valves prevent corrosion and provide access to refrigerant system. Suction valve can be fully shut off, while liquid valve may be front seated to manage refrigerant charge while servicing system.

Suction and liquid line service valves and gauge ports are located inside the cabinet.

Refrigerant line connections and field wiring inlets are located in one central area of the cabinet. See dimension drawing.

SPECIFICATIONS

General Data		Model No.	XC17-024	XC17-030	XC17-036	XC17-042	XC17-048	XC17-060
Nominal Tonnage			2	2.5	3	3.5	4	5
Connections (sweat)	Liquid line (o.d.) - in.		3/8	3/8	3/8	3/8	3/8	3/8
	Suction line (o.d.) - in.		3/4	3/4	7/8	7/8	7/8	1-1/8
Refrigerant	¹ R-410A charge furnished		7 lbs. 14 oz.	8 lbs. 0 oz.	7 lbs. 12 oz.	7 lbs. 14 oz.	12 lbs. 12 oz.	13 lbs. 4 oz.
Outdoor Coil	Net face	Outer coil	23.25	27.21	27.21	27.21	27.21	27.21
	area - sq. ft.	Inner coil	---	---	---	---	26.36	26.36
		Tube diameter - in.	5/16	5/16	5/16	5/16	5/16	5/16
		No. of rows	1	1	1	1	2	2
		Fins per inch	26	26	26	26	22	22
Outdoor Fan	Diameter - in.		26.2	26.2	26.2	26.2	26.2	26.2
	No. of blades		5	5	5	5	5	5
	Motor hp		1/4	1/4	1/4	1/4	1/4	1/4
	Cfm		2650	3055	4025	4025	4230	4230
	Rpm		400	450	600	600	675	675
	Watts		37	53	122	122	185	185
Shipping Data - lbs. 1 pkg.			263	285	286	311	344	349

ELECTRICAL DATA

Line voltage data - 60hz - 1 ph			208/230V	208/230V	208/230V	208/230V	208/230V	208/230V
² Maximum overcurrent protection (amps)			30	30	35	40	50	60
³ Minimum circuit ampacity			18.9	18.0	22.9	24.4	29.3	35.0
Compressor	Rated load amps		13.5	12.8	16.7	17.9	21.8	26.4
	Locked rotor amps		58.3	64.0	79.0	107.0	117	134.0
	Power factor		.97	.98	.98	.93	.96	.98
Outdoor Fan Motor	Full load amps		2	2	2	2	2	2

OPTIONAL ACCESSORIES - MUST BE ORDERED EXTRA

ComfortSense® 7000 Thermostat	Y0349		•	•	•	•	•	•
Outdoor Temperature Sensor - for ComfortSense 7000 Thermostat	X2658		•	•	•	•	•	•
Compressor Hard Start Kit	88M91		•	•	•	•	•	•
Compressor Low Ambient Cut-Off	45F08		•	•	•	•	•	•
Freezestat	3/8 in. tubing	93G35	•	•	•	•	•	•
	5/8 in. tubing	50A93	•	•	•	•	•	•
Indoor Blower Off Delay Relay	58M81		•	•	•	•	•	•
Low Ambient Kit	34M72		•	•	•	•	•	•
Refrigerant Line Sets	L15-41-20	L15-41-40	•	•				
	L15-41-30	L15-41-50						
	L15-65-30	L15-65-40			•	•	•	
		L15-65-50						
	Field Fabricate							•

NOTE - Extremes of operating range are plus 10% and minus 5% of line voltage.

¹ Refrigerant charge sufficient for 15 ft. length of refrigerant lines.

² HACR type breaker or fuse.

³ Refer to National or Canadian Electrical Code manual to determine wire, fuse and disconnect size requirements.

INSTALLATION CLEARANCES - INCHES (MM)

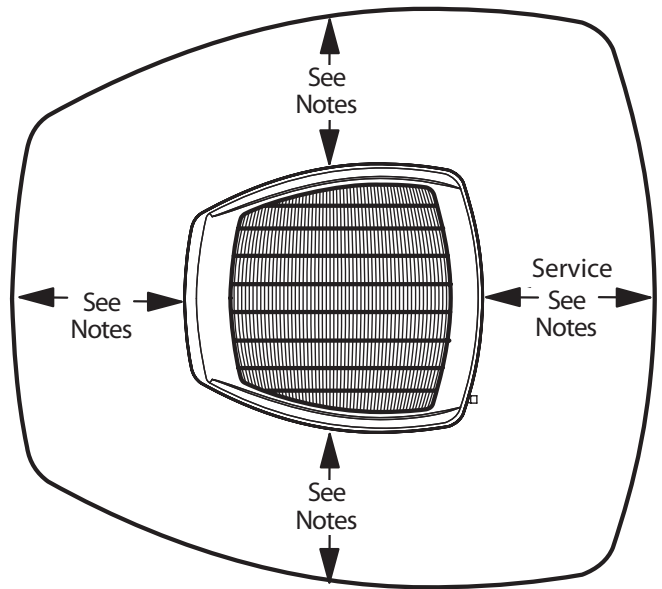
NOTES

One of the three sides must be 36 in. (914 mm).
 One of the two remaining sides may be 12 in. (305 mm).
 The remaining side may be 6 in. (152 mm).

Service Clearance – 30 in. (762 mm).

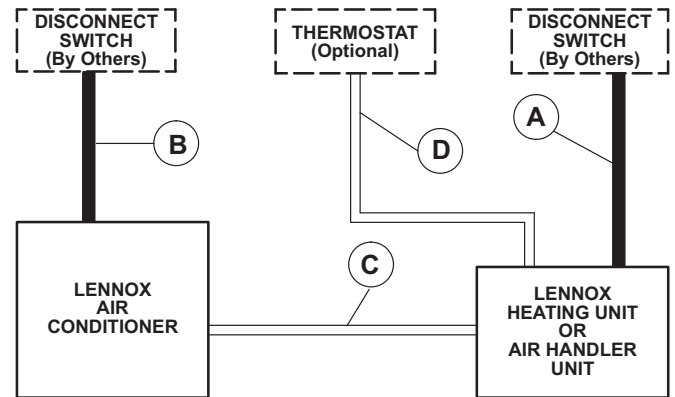
48 in. (1219 mm) clearance required on top of unit.

24 in. (610 mm) required between two units.



FIELD WIRING

- A - Two Wire Power (not furnished)
 - B - Two Power (not furnished) See Electrical Data
 - C - Four Wire Low Voltage (not furnished) 18 ga. minimum
 - D - Six Wire Low Voltage (not furnished) 18 ga. minimum
- All wiring must conform to NEC or CEC and local electrical codes.

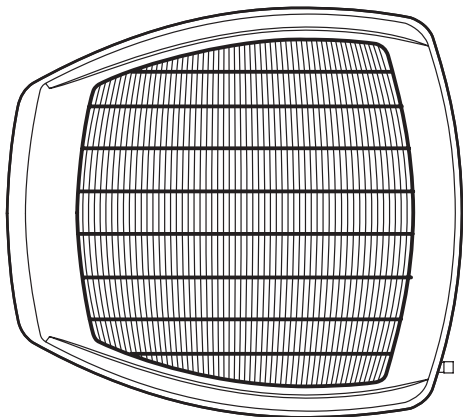


OUTDOOR SOUND DATA

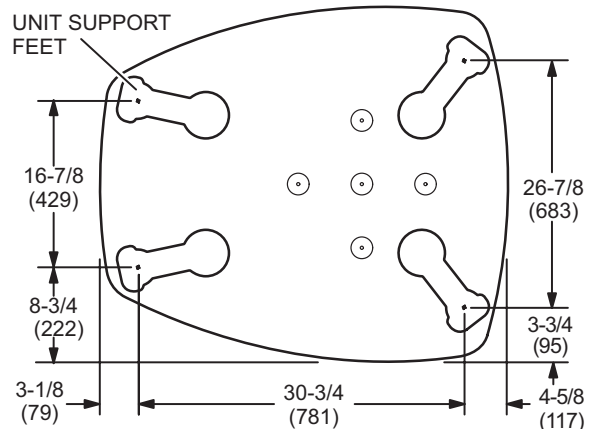
¹ Unit Model No.	Octave Band Sound Power Levels dBA, re 10 ⁻¹² Watts							¹ Sound Rating Number (dB)
	Center Frequency - HZ							
	125	250	500	1000	2000	4000	8000	
XC17-024	51.5	56.5	58.5	57.5	48.5	41.5	41.0	62
XC17-030	50.5	54.5	58.5	59.5	49.5	42.5	42.0	63
XC17-036	57.5	63.0	67.0	65.0	59.5	53.0	45.0	70
XC17-042	56.0	60.0	63.0	63.0	58.5	51.5	45.5	70
XC17-048	57.5	65.0	69.5	67.5	63.0	57.0	50.0	73
XC17-060	58.0	65.5	70.0	67.5	63.0	56.5	49.0	73

NOTE - the octave sound power data does not include tonal correction.
¹ Tested according to AHRI Standard 270-2008 test conditions.

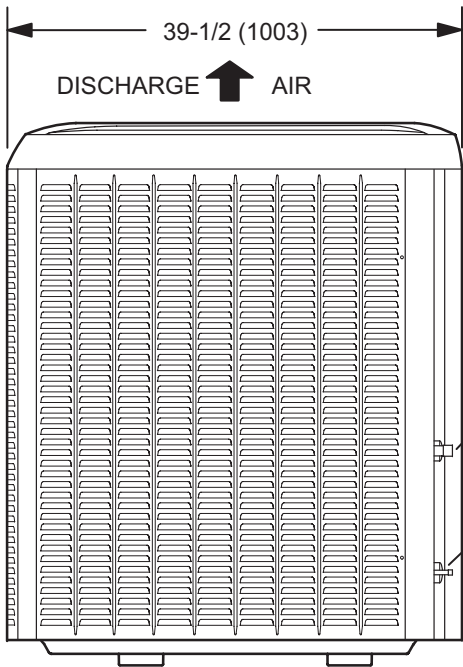
DIMENSIONS - INCHES (MM)



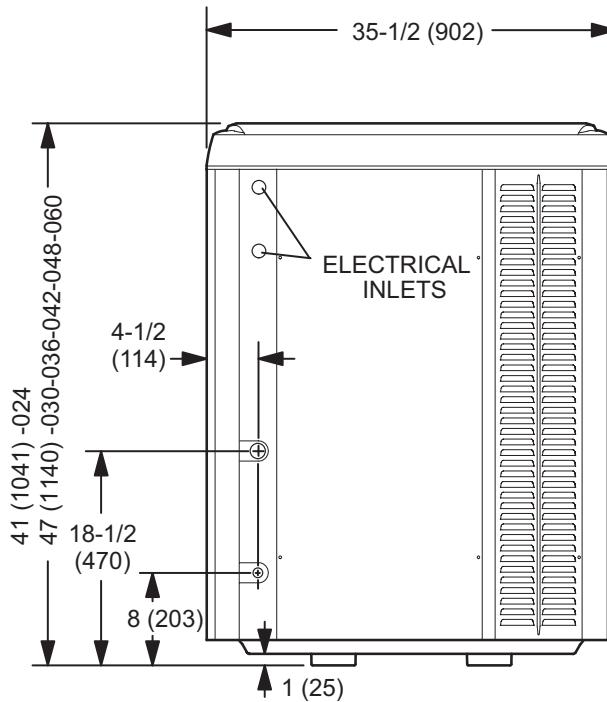
TOP VIEW



TOP VIEW BASE SECTION



SIDE VIEW



ACCESS VIEW

THERMAL EXPANSION VALVES (TXV)

Model No.	Order No.
XC17-024	37L51
XC17-030	37L51
XC17-036	39L72
XC17-042	39L72
XC17-048	91M02
XC17-060	91M02

CX34 upflow coils and all Lennox air handlers (except CB26UH "R") are shipped with a factory installed TXV. In most cases, no change out of the valve is needed.

If a change out is required it will be listed in the "TXV SUBSTITUTIONS" table. The correct TXV must be ordered and field installed. C33 coils and all horizontal and downflow coils are shipped without a TXV. The TXV must be ordered and field installed.

MOST POPULAR MATCHES

Outdoor Unit Model No.	Indoor Unit Model No
XC17-024	CX34-31
XC17-030	CX34-31
XC17-036	CX34-38
XC17-042	CX34-50/60C
XC17-048	CX34-50/60C
XC17-060	CX34-62D

*TXV SUBSTITUTIONS

Indoor Coils/Air Handlers with factory installed expansion valves that require field replacement

Model No.	Indoor Coil or Air Handler	Order No.
XC17-030	CBX32M-042	37L51
XC17-030	CBX32M-048	37L51
XC17-030	CX34-42	37L51
XC17-030	CX34-43	37L51
XC17-030	CX34-44/48	37L51
XC17-036	C33-44	39L72
XC17-036	CBX27UH-036	39L72
XC17-036	CBX32M-030	39L72
XC17-036	CBX32M-036	39L72
XC17-036	CBX32MV-024/030	39L72
XC17-036	CBX32MV-036	39L72
XC17-036	CBX40UHV-030	39L72
XC17-036	CBX40UHV-036	39L72
XC17-036	CX34-36	39L72
XC17-036	CX34-38	39L72
XC17-036	CX34-49	39L72
XC17-036	CX34-50/60	39L72
XC17-036	CX34-62	39L72
XC17-042	C33-44	39L72
XC17-042	C33-48	39L72
XC17-042	CBX27UH-048	39L72
XC17-042	CBX32M-036	39L72
XC17-042	CBX32M-048	39L72
XC17-042	CBX32MV-036	39L72
XC17-042	CBX40UHV-036	39L72
XC17-042	CX34-38	39L72
XC17-042	CX34-49	39L72
XC17-042	CX34-50/60	39L72
XC17-042	CX34-62	39L72
XC17-048	CBX32MV-036	91M02
XC17-048	CBX40UHV-036	91M02
XC17-048	CX34-44/48	91M02
XC17-060	CX34-44/48	91M02

* Factory installed expansion valve on the indoor coil or air handler shown must be replaced with the expansion valve listed (ordered separately).

AHRI SYSTEM MATCHES

NOTE - For the latest up-to-date system matches please visit the AHRI web site at <http://www.ahridirectory.org>

Model No.	Cooling Btuh	SEER	EER	Indoor Coil or Air Handler	Furnace	AHRI Reference
XC17-024-230	22,600	15.70	13.20	C33-19	G60UHV-36A-070	3844055
XC17-024-230	22,600	16.00	13.50	C33-19	G60UHV-36B-090	3844056
XC17-024-230	22,600	15.70	13.20	C33-19	G61MPV-36B-045	3844057
XC17-024-230	22,600	15.70	13.20	C33-19	G61MPV-36B-070	3844058
XC17-024-230	22,600	16.00	13.50	C33-19	G61MPV-36C-090	3844059
XC17-024-230	22,600	15.70	13.20	C33-19	G71MPP-36B-070	3844060
XC17-024-230	22,000	14.00	11.70	C33-19		3843999
XC17-024-230	23,600	16.70	14.00	C33-24	G60UHV-36A-070	3844061
XC17-024-230	23,000	14.70	12.20	C33-24		3844000
XC17-024-230	24,000	16.70	14.00	C33-25	G60UHV-36A-070	3844062
XC17-024-230	24,200	17.50	14.50	C33-25	G60UHV-36B-090	3844063
XC17-024-230	24,200	17.00	14.20	C33-25	G61MPV-36B-045	3844064
XC17-024-230	24,000	17.20	14.20	C33-25	G61MPV-36B-070	3844065
XC17-024-230	24,200	17.00	14.20	C33-25	G61MPV-36B-071	3844066
XC17-024-230	24,000	17.20	14.20	C33-25	G71MPP-36B-070	3844067
XC17-024-230	23,600	16.00	13.20	C33-25	O23V2/3-70/90	3844125
XC17-024-230	23,400	15.00	12.50	C33-25		3844001
XC17-024-230	23,200	16.20	13.50	C33-30	G60UHV-36A-070	3844068
XC17-024-230	23,200	16.50	13.70	C33-30	G60UHV-36B-090	3844069
XC17-024-230	23,200	16.20	13.50	C33-30	G61MPV-36B-045	3844070
XC17-024-230	23,200	16.20	13.50	C33-30	G61MPV-36B-070	3844071
XC17-024-230	23,200	16.20	13.50	C33-30	G61MPV-36B-071	3844072
XC17-024-230	23,000	16.50	13.70	C33-30	G61MPV-36C-090	3844073
XC17-024-230	23,200	16.20	13.50	C33-30	G71MPP-36B-070	3844074
XC17-024-230	23,000	16.50	13.70	C33-30	G71MPP-36C-090	3844075
XC17-024-230	22,600	14.50	12.20	C33-30		3844002
XC17-024-230	24,400	17.50	14.50	C33-31	G60UHV-36A-070	3844076
XC17-024-230	24,400	17.70	14.50	C33-31	G60UHV-36B-090	3844077
XC17-024-230	24,400	17.20	14.20	C33-31	G61MPV-36B-045	3844078
XC17-024-230	24,400	17.50	14.50	C33-31	G61MPV-36B-070	3844079
XC17-024-230	24,600	17.20	14.50	C33-31	G61MPV-36B-071	3844080
XC17-024-230	24,400	17.50	14.50	C33-31	G71MPP-36B-070	3844081
XC17-024-230	24,200	16.50	13.70	C33-31	O23V2/3-70/90	3844126
XC17-024-230	23,800	15.20	12.70	C33-31		3844003
XC17-024-230	24,000	17.00	14.20	C33-36	G60UHV-36A-070	3844082
XC17-024-230	24,000	17.20	14.20	C33-36	G60UHV-36B-090	3844083
XC17-024-230	23,600	16.20	13.50	C33-36	O23V2/3-70/90	3844127
XC17-024-230	23,400	15.00	12.50	C33-36		3844004
XC17-024-230	24,600	17.50	14.50	C33-38	G60UHV-36A-070	3844084
XC17-024-230	25,200	18.00	14.70	C33-38	G60UHV-36B-090	3844085
XC17-024-230	24,800	17.50	14.50	C33-38	G61MPV-36B-045	3844086

NOTES:

+ TXV = Matched with Thermostatic Expansion Valve.

Ratings are certified in accordance with USE certification program which is based on AHRI Standard 210/240; 95°F outdoor air temperature, 80°F db / 67°F wb entering evaporator air with 25 ft. of connecting refrigerant lines.

All ratings include the use of a blower time delay relay (TDR). All Lennox variable-speed furnaces and Air Handlers have time delay capabilities. Other Furnaces and Air Handlers may require an optional time delay relay (58M81) for field installation. See furnace or air handler specifications to determine if relay is needed.

Also see TXV Substitution Table.

AHRI SYSTEM MATCHES

NOTE - For the latest up-to-date system matches please visit the AHRI web site at <http://www.ahridirectory.org>

Model No.	Cooling Btuh	SEER	EER	Indoor Coil or Air Handler	Furnace	AHRI Reference
XC17-024-230	24,600	17.50	14.50	C33-38	G61MPV-36B-070	3844087
XC17-024-230	24,800	17.50	14.50	C33-38	G61MPV-36B-071	3844088
XC17-024-230	24,600	17.50	14.50	C33-38	G71MPP-36B-070	3844089
XC17-024-230	24,400	16.70	14.00	C33-38	O23V2/3-70/90	3844128
XC17-024-230	24,000	15.20	12.70	C33-38		3844005
XC17-024-230	24,200	17.50	14.50	CBX27UH-024-230		3844131
XC17-024-230	24,400	17.70	14.70	CBX27UH-030-230		3844132
XC17-024-230	23,400	15.00	12.70	CBX32M-018/024		3844129
XC17-024-230	23,800	15.70	13.20	CBX32M-030		3844130
XC17-024-230	23,800	16.50	13.70	CBX32MV-018/024		3844133
XC17-024-230	24,200	17.20	14.20	CBX32MV-024/030		3844134
XC17-024-230	24,800	17.50	14.50	CBX32MV-036		3844135
XC17-024-230	24,400	17.50	14.50	CBX40UHV-024		3844136
XC17-024-230	24,400	17.70	14.50	CBX40UHV-030		3844137
XC17-024-230	24,800	17.70	14.70	CBX40UHV-036		3844138
XC17-024-230	21,800	14.00	11.70	CH23-21		3844008
XC17-024-230	22,000	14.00	11.70	CH23-31		3844009
XC17-024-230	23,400	15.00	12.50	CH23-41		3844010
XC17-024-230	23,400	16.70	13.70	CH33-19	G60UHV-36A-070	3844099
XC17-024-230	23,000	14.70	12.50	CH33-19		3844011
XC17-024-230	23,400	16.50	13.70	CH33-24/30	G60UHV-36A-070	3844100
XC17-024-230	22,800	14.50	12.20	CH33-24/30		3844012
XC17-024-230	24,200	17.00	14.00	CH33-25A	G60UHV-36A-070	3844101
XC17-024-230	23,600	15.00	12.70	CH33-25A		3844013
XC17-024-230	24,000	17.50	14.50	CH33-25B	G60UHV-36B-090	3844102
XC17-024-230	24,000	17.00	14.20	CH33-25B	G61MPV-36B-045	3844103
XC17-024-230	24,000	17.20	14.20	CH33-25B	G61MPV-36B-070	3844104
XC17-024-230	24,000	17.00	14.00	CH33-25B	G61MPV-36B-071	3844105
XC17-024-230	24,000	17.20	14.20	CH33-25B	G71MPP-36B-070	3844106
XC17-024-230	23,400	15.00	12.50	CH33-25B		3844014
XC17-024-230	24,600	17.20	14.20	CH33-31A	G60UHV-36A-070	3844107
XC17-024-230	24,000	15.20	13.00	CH33-31A		3844015
XC17-024-230	24,600	17.70	14.70	CH33-31B	G60UHV-36B-090	3844108
XC17-024-230	24,600	17.50	14.50	CH33-31B	G61MPV-36B-045	3844109
XC17-024-230	24,600	17.50	14.50	CH33-31B	G61MPV-36B-070	3844110
XC17-024-230	24,800	17.50	14.50	CH33-31B	G61MPV-36B-071	3844111
XC17-024-230	24,600	17.50	14.50	CH33-31B	G71MPP-36B-070	3844112
XC17-024-230	24,000	15.20	12.70	CH33-31B		3844016
XC17-024-230	23,800	16.70	14.00	CH33-36A	G60UHV-36A-070	3844113
XC17-024-230	23,400	15.00	12.50	CH33-36A		3844017
XC17-024-230	24,000	17.20	14.50	CH33-36B	G60UHV-36B-090	3844114

NOTES:

+ TXV = Matched with Thermostatic Expansion Valve.

Ratings are certified in accordance with USE certification program which is based on AHRI Standard 210/240; 95°F outdoor air temperature, 80°F db / 67°F wb entering evaporator air with 25 ft. of connecting refrigerant lines.

All ratings include the use of a blower time delay relay (TDR). All Lennox variable-speed furnaces and Air Handlers have time delay capabilities. Other Furnaces and Air Handlers may require an optional time delay relay (58M81) for field installation. See furnace or air handler specifications to determine if relay is needed.

Also see TXV Substitution Table.

AHRI SYSTEM MATCHES

NOTE - For the latest up-to-date system matches please visit the AHRI web site at <http://www.ahridirectory.org>

Model No.	Cooling Btuh	SEER	EER	Indoor Coil or Air Handler	Furnace	AHRI Reference
XC17-024-230	24,000	17.00	14.20	CH33-36B	G61MPV-36B-045	3844115
XC17-024-230	24,000	17.00	14.20	CH33-36B	G61MPV-36B-070	3844116
XC17-024-230	24,000	17.00	14.00	CH33-36B	G61MPV-36B-071	3844117
XC17-024-230	24,000	17.00	14.20	CH33-36B	G71MPP-36B-070	3844119
XC17-024-230	23,400	15.00	12.50	CH33-36B		3844018
XC17-024-230	24,000	17.50	14.50	CH33-36C	G61MPV-36C-090	3844118
XC17-024-230	24,000	17.50	14.50	CH33-36C	G71MPP-36C-090	3844120
XC17-024-230	23,600	15.00	12.70	CH33-36C		3844019
XC17-024-230	22,800	15.70	13.20	CR33-24	G61MPV-36B-045	3844090
XC17-024-230	22,600	16.00	13.20	CR33-24	G61MPV-36B-070	3844091
XC17-024-230	22,600	16.00	13.20	CR33-24	G71MPP-36B-070	3844092
XC17-024-230	22,200	14.20	12.00	CR33-24		3844006
XC17-024-230	24,400	17.00	14.00	CR33-30/36	G60DFV-36A-070	3844093
XC17-024-230	24,800	17.70	14.50	CR33-30/36	G60DFV-36B-090	3844094
XC17-024-230	24,400	17.20	14.20	CR33-30/36	G61MPV-36B-045	3844095
XC17-024-230	24,200	17.20	14.20	CR33-30/36	G61MPV-36B-070	3844096
XC17-024-230	24,400	17.20	14.20	CR33-30/36	G61MPV-36B-071	3844097
XC17-024-230	24,200	17.20	14.20	CR33-30/36	G71MPP-36B-070	3844098
XC17-024-230	23,600	15.20	12.70	CR33-30/36		3844007
XC17-024-230	22,600	15.70	13.20	CX34-18/24	G60UHV-36A-070	3844020
XC17-024-230	22,600	16.00	13.50	CX34-18/24	G60UHV-36B-090	3844021
XC17-024-230	22,600	15.70	13.20	CX34-18/24	G61MPV-36B-045	3844022
XC17-024-230	22,600	15.70	13.20	CX34-18/24	G61MPV-36B-070	3844023
XC17-024-230	22,600	16.00	13.50	CX34-18/24	G61MPV-36C-090	3844024
XC17-024-230	22,600	15.70	13.20	CX34-18/24	G71MPP-36B-070	3844025
XC17-024-230	22,000	14.00	11.70	CX34-18/24		3843992
XC17-024-230	23,600	16.70	14.00	CX34-19	G60UHV-36A-070	3844026
XC17-024-230	23,000	14.70	12.20	CX34-19		3843993
XC17-024-230	24,000	16.70	14.00	CX34-25	G60UHV-36A-070	3844027
XC17-024-230	24,200	17.50	14.50	CX34-25	G60UHV-36B-090	3844028
XC17-024-230	24,200	17.00	14.20	CX34-25	G61MPV-36B-045	3844029
XC17-024-230	24,000	17.20	14.20	CX34-25	G61MPV-36B-070	3844030
XC17-024-230	24,200	17.00	14.20	CX34-25	G61MPV-36B-071	3844031
XC17-024-230	24,000	17.20	14.20	CX34-25	G71MPP-36B-070	3844032
XC17-024-230	23,600	16.00	13.20	CX34-25	O23V2/3-70/90	3844121
XC17-024-230	23,400	15.00	12.50	CX34-25		3843994
XC17-024-230	23,200	16.20	13.50	CX34-30	G60UHV-36A-070	3844033
XC17-024-230	23,200	16.50	13.70	CX34-30	G60UHV-36B-090	3844034
XC17-024-230	23,200	16.20	13.50	CX34-30	G61MPV-36B-045	3844035
XC17-024-230	23,200	16.20	13.50	CX34-30	G61MPV-36B-070	3844036
XC17-024-230	23,200	16.20	13.50	CX34-30	G61MPV-36B-071	3844037

NOTES:

+ TXV = Matched with Thermostatic Expansion Valve.

Ratings are certified in accordance with USE certification program which is based on AHRI Standard 210/240; 95°F outdoor air temperature, 80°F db / 67°F wb entering evaporator air with 25 ft. of connecting refrigerant lines.

All ratings include the use of a blower time delay relay (TDR). All Lennox variable-speed furnaces and Air Handlers have time delay capabilities. Other Furnaces and Air Handlers may require an optional time delay relay (58M81) for field installation. See furnace or air handler specifications to determine if relay is needed.

Also see TXV Substitution Table.

AHRI SYSTEM MATCHES

NOTE - For the latest up-to-date system matches please visit the AHRI web site at <http://www.ahridirectory.org>

Model No.	Cooling Btuh	SEER	EER	Indoor Coil or Air Handler	Furnace	AHRI Reference
XC17-024-230	23,000	16.50	13.70	CX34-30	G61MPV-36C-090	3844038
XC17-024-230	23,200	16.20	13.50	CX34-30	G71MPP-36B-070	3844039
XC17-024-230	23,000	16.50	13.70	CX34-30	G71MPP-36C-090	3844040
XC17-024-230	22,600	14.50	12.20	CX34-30		3843995
XC17-024-230	24,400	17.50	14.50	CX34-31	G60UHV-36A-070	3844041
XC17-024-230	24,400	17.70	14.50	CX34-31	G60UHV-36B-090	3844042
XC17-024-230	24,400	17.20	14.20	CX34-31	G61MPV-36B-045	3844043
XC17-024-230	24,400	17.50	14.50	CX34-31	G61MPV-36B-070	3844044
XC17-024-230	24,600	17.20	14.50	CX34-31	G61MPV-36B-071	3844045
XC17-024-230	24,400	17.50	14.50	CX34-31	G71MPP-36B-070	3844046
XC17-024-230	24,200	16.50	13.70	CX34-31	O23V2/3-70/90	3844122
XC17-024-230	23,800	15.20	12.70	CX34-31		3843996
XC17-024-230	24,000	17.00	14.20	CX34-36	G60UHV-36A-070	3844047
XC17-024-230	24,000	17.20	14.20	CX34-36	G60UHV-36B-090	3844048
XC17-024-230	23,600	16.20	13.50	CX34-36	O23V2/3-70/90	3844123
XC17-024-230	23,400	15.00	12.50	CX34-36		3843997
XC17-024-230	24,600	17.50	14.50	CX34-38	G60UHV-36A-070	3844049
XC17-024-230	25,200	18.00	14.70	CX34-38	G60UHV-36B-090	3844050
XC17-024-230	24,800	17.50	14.50	CX34-38	G61MPV-36B-045	3844051
XC17-024-230	24,600	17.50	14.50	CX34-38	G61MPV-36B-070	3844052
XC17-024-230	24,800	17.50	14.50	CX34-38	G61MPV-36B-071	3844053
XC17-024-230	24,600	17.50	14.50	CX34-38	G71MPP-36B-070	3844054
XC17-024-230	24,400	16.70	14.00	CX34-38	O23V2/3-70/90	3844124
XC17-024-230	24,000	15.20	12.70	CX34-38		3843998
XC17-030-230	27,600	16.00	13.00	C33-25	G60UHV-36A-070	3844221
XC17-030-230	27,800	16.20	13.20	C33-25	G60UHV-36B-090	3844222
XC17-030-230	27,400	15.70	12.70	C33-25	G61MPV-36B-045	3844223
XC17-030-230	27,400	15.70	13.00	C33-25	G61MPV-36B-070	3844224
XC17-030-230	27,400	15.70	12.70	C33-25	G61MPV-36B-071	3844225
XC17-030-230	27,400	15.70	13.00	C33-25	G71MPP-36B-070	3844226
XC17-030-230	27,200	14.50	12.00	C33-25		3844147
XC17-030-230	27,200	15.50	12.70	C33-30	G60UHV-36A-070	3844227
XC17-030-230	27,000	15.70	13.00	C33-30	G60UHV-36B-090	3844228
XC17-030-230	27,000	15.20	12.70	C33-30	G61MPV-36B-045	3844229
XC17-030-230	26,800	15.50	12.70	C33-30	G61MPV-36B-070	3844230
XC17-030-230	26,800	15.50	12.70	C33-30	G61MPV-36B-071	3844231
XC17-030-230	26,800	15.50	12.70	C33-30	G71MPP-36B-070	3844232
XC17-030-230	26,800	14.00	11.70	C33-30		3844148
XC17-030-230	28,400	16.50	13.50	C33-31	G60UHV-36A-070	3844233
XC17-030-230	28,400	17.00	13.70	C33-31	G60UHV-36B-090	3844234
XC17-030-230	28,200	16.20	13.20	C33-31	G61MPV-36B-045	3844235

NOTES:

+ TXV = Matched with Thermostatic Expansion Valve.

Ratings are certified in accordance with USE certification program which is based on AHRI Standard 210/240; 95°F outdoor air temperature, 80°F db / 67°F wb entering evaporator air with 25 ft. of connecting refrigerant lines.

All ratings include the use of a blower time delay relay (TDR). All Lennox variable-speed furnaces and Air Handlers have time delay capabilities. Other Furnaces and Air Handlers may require an optional time delay relay (58M81) for field installation. See furnace or air handler specifications to determine if relay is needed.

Also see TXV Substitution Table.

AHRI SYSTEM MATCHES

NOTE - For the latest up-to-date system matches please visit the AHRI web site at <http://www.ahridirectory.org>

Model No.	Cooling Btuh	SEER	EER	Indoor Coil or Air Handler	Furnace	AHRI Reference
XC17-030-230	28,200	16.50	13.50	C33-31	G61MPV-36B-070	3844236
XC17-030-230	28,200	16.20	13.50	C33-31	G61MPV-36B-071	3844237
XC17-030-230	28,200	16.50	13.50	C33-31	G71MPP-36B-070	3844238
XC17-030-230	27,800	15.00	12.20	C33-31		3844149
XC17-030-230	27,600	16.00	13.20	C33-36	G60UHV-36A-070	3844239
XC17-030-230	27,800	16.50	13.50	C33-36	G60UHV-36B-090	3844240
XC17-030-230	27,600	16.00	13.00	C33-36	G61MPV-36B-045	3844241
XC17-030-230	27,400	16.00	13.00	C33-36	G61MPV-36B-070	3844242
XC17-030-230	27,400	16.00	13.00	C33-36	G61MPV-36B-071	3844243
XC17-030-230	27,800	16.20	13.20	C33-36	G61MPV-36C-090	3844244
XC17-030-230	27,400	16.00	13.00	C33-36	G71MPP-36B-070	3844245
XC17-030-230	27,800	16.20	13.20	C33-36	G71MPP-36C-090	3844246
XC17-030-230	27,200	14.50	12.00	C33-36		3844150
XC17-030-230	28,600	16.50	13.70	C33-38	G60UHV-36A-070	3844247
XC17-030-230	28,600	17.00	14.00	C33-38	G60UHV-36B-090	3844248
XC17-030-230	28,400	16.50	13.50	C33-38	G61MPV-36B-045	3844249
XC17-030-230	28,200	16.50	13.50	C33-38	G61MPV-36B-070	3844250
XC17-030-230	28,200	16.50	13.50	C33-38	G61MPV-36B-071	3844251
XC17-030-230	28,200	16.50	13.50	C33-38	G71MPP-36B-070	3844252
XC17-030-230	28,000	15.00	12.50	C33-38		3844151
XC17-030-230	27,800	16.50	13.50	C33-42	G60UHV-36B-090	3844253
XC17-030-230	27,600	16.00	13.00	C33-42	G61MPV-36B-045	3844254
XC17-030-230	27,400	16.00	13.00	C33-42	G61MPV-36B-070	3844255
XC17-030-230	27,400	16.00	13.00	C33-42	G61MPV-36B-071	3844256
XC17-030-230	27,400	16.00	13.00	C33-42	G71MPP-36B-070	3844257
XC17-030-230	27,200	14.50	12.00	C33-42		3844152
XC17-030-230	28,600	17.00	14.00	C33-43	G60UHV-36B-090	3844258
XC17-030-230	28,200	16.50	13.50	C33-43	G61MPV-36B-045	3844259
XC17-030-230	28,200	16.50	13.50	C33-43	G61MPV-36B-070	3844260
XC17-030-230	28,200	16.50	13.50	C33-43	G61MPV-36B-071	3844261
XC17-030-230	28,600	17.00	14.00	C33-43	G61MPV-36C-090	3844262
XC17-030-230	28,200	16.50	13.50	C33-43	G71MPP-36B-070	3844263
XC17-030-230	28,600	17.00	14.00	C33-43	G71MPP-36C-090	3844264
XC17-030-230	28,400	16.20	13.50	C33-43	O23V3/4-105/120	3844333
XC17-030-230	28,000	15.00	12.50	C33-43		3844153
XC17-030-230	28,400	16.70	13.70	C33-48	G60UHV-36B-090	3844265
XC17-030-230	28,000	16.20	13.20	C33-48	G61MPV-36B-045	3844266
XC17-030-230	28,000	16.20	13.20	C33-48	G61MPV-36B-070	3844267
XC17-030-230	28,000	16.20	13.20	C33-48	G61MPV-36B-071	3844268
XC17-030-230	28,400	16.70	13.70	C33-48	G61MPV-36C-090	3844269
XC17-030-230	28,000	16.20	13.20	C33-48	G71MPP-36B-070	3844270

NOTES:

+ TXV = Matched with Thermostatic Expansion Valve.

Ratings are certified in accordance with USE certification program which is based on AHRI Standard 210/240; 95°F outdoor air temperature, 80°F db / 67°F wb entering evaporator air with 25 ft. of connecting refrigerant lines.

All ratings include the use of a blower time delay relay (TDR). All Lennox variable-speed furnaces and Air Handlers have time delay capabilities. Other Furnaces and Air Handlers may require an optional time delay relay (58M81) for field installation. See furnace or air handler specifications to determine if relay is needed.

Also see TXV Substitution Table.

AHRI SYSTEM MATCHES

NOTE - For the latest up-to-date system matches please visit the AHRI web site at <http://www.ahridirectory.org>

Model No.	Cooling Btuh	SEER	EER	Indoor Coil or Air Handler	Furnace	AHRI Reference
XC17-030-230	28,400	16.70	13.70	C33-48	G71MPP-36C-090	3844271
XC17-030-230	27,800	15.00	12.20	C33-48		3844154
XC17-030-230	28,200	16.70	13.50	CBX27UH-030-230		3844336
XC17-030-230	28,200	17.00	13.70	CBX27UH-036-230		3844337
XC17-030-230	27,800	15.70	12.70	CBX32M-030		3844334
XC17-030-230	27,800	15.20	12.70	CBX32M-036		3844335
XC17-030-230	28,000	16.70	13.50	CBX32MV-024/030		3844338
XC17-030-230	28,200	17.00	13.70	CBX32MV-036		3844339
XC17-030-230	28,000	17.50	14.20	CBX40UHV-030		3844340
XC17-030-230	28,400	17.00	14.00	CBX40UHV-036		3844341
XC17-030-230	26,200	15.20	12.50	CH23-31	G61MPV-36B-045	3844282
XC17-030-230	26,000	15.20	12.50	CH23-31	G61MPV-36B-070	3844283
XC17-030-230	26,000	15.20	12.50	CH23-31	G61MPV-36B-071	3844284
XC17-030-230	26,000	15.20	12.50	CH23-31	G71MPP-36B-070	3844285
XC17-030-230	27,800	16.50	13.50	CH23-41	G60UHV-36A-070	3844286
XC17-030-230	28,000	16.70	13.70	CH23-41	G60UHV-36B-090	3844287
XC17-030-230	27,600	16.00	13.20	CH23-41	G61MPV-36B-045	3844288
XC17-030-230	27,600	16.20	13.20	CH23-41	G61MPV-36B-070	3844289
XC17-030-230	27,600	16.20	13.20	CH23-41	G61MPV-36B-071	3844290
XC17-030-230	27,600	16.20	13.20	CH23-41	G71MPP-36B-070	3844291
XC17-030-230	27,400	14.50	12.00	CH23-41		3844157
XC17-030-230	28,000	16.50	13.50	CH23-51	G60UHV-36A-070	3844292
XC17-030-230	28,000	16.70	13.70	CH23-51	G60UHV-36B-090	3844293
XC17-030-230	27,800	16.20	13.20	CH23-51	G61MPV-36B-045	3844294
XC17-030-230	27,800	16.50	13.50	CH23-51	G61MPV-36B-070	3844295
XC17-030-230	27,800	16.20	13.50	CH23-51	G61MPV-36B-071	3844296
XC17-030-230	28,000	16.70	13.50	CH23-51	G61MPV-36C-090	3844297
XC17-030-230	27,800	16.50	13.50	CH23-51	G71MPP-36B-070	3844298
XC17-030-230	28,000	16.70	13.50	CH23-51	G71MPP-36C-090	3844299
XC17-030-230	27,400	14.70	12.00	CH23-51		3844158
XC17-030-230	27,800	16.00	13.00	CH33-25A	G60UHV-36A-070	3844300
XC17-030-230	27,400	14.70	12.00	CH33-25A		3844159
XC17-030-230	27,800	16.50	13.50	CH33-25B	G60UHV-36B-090	3844301
XC17-030-230	27,600	16.00	13.00	CH33-25B	G61MPV-36B-045	3844302
XC17-030-230	27,600	16.00	13.20	CH33-25B	G61MPV-36B-070	3844303
XC17-030-230	27,600	16.00	13.20	CH33-25B	G61MPV-36B-071	3844304
XC17-030-230	27,600	16.00	13.20	CH33-25B	G71MPP-36B-070	3844305
XC17-030-230	27,400	14.50	12.00	CH33-25B		3844160
XC17-030-230	28,400	16.20	13.50	CH33-31A	G60UHV-36A-070	3844306
XC17-030-230	28,000	15.00	12.20	CH33-31A		3844161
XC17-030-230	28,600	17.00	14.00	CH33-31B	G60UHV-36B-090	3844307

NOTES:

+ TXV = Matched with Thermostatic Expansion Valve.

Ratings are certified in accordance with USE certification program which is based on AHRI Standard 210/240; 95°F outdoor air temperature, 80°F db / 67°F wb entering evaporator air with 25 ft. of connecting refrigerant lines.

All ratings include the use of a blower time delay relay (TDR). All Lennox variable-speed furnaces and Air Handlers have time delay capabilities. Other Furnaces and Air Handlers may require an optional time delay relay (58M81) for field installation. See furnace or air handler specifications to determine if relay is needed.

Also see TXV Substitution Table.

AHRI SYSTEM MATCHES

NOTE - For the latest up-to-date system matches please visit the AHRI web site at <http://www.ahridirectory.org>

Model No.	Cooling Btuh	SEER	EER	Indoor Coil or Air Handler	Furnace	AHRI Reference
XC17-030-230	28,400	16.50	13.50	CH33-31B	G61MPV-36B-045	3844308
XC17-030-230	28,200	16.50	13.50	CH33-31B	G61MPV-36B-070	3844309
XC17-030-230	28,200	16.50	13.50	CH33-31B	G61MPV-36B-071	3844310
XC17-030-230	28,200	16.50	13.50	CH33-31B	G71MPP-36B-070	3844311
XC17-030-230	28,000	15.00	12.20	CH33-31B		3844162
XC17-030-230	27,600	15.70	13.00	CH33-36A	G60UHV-36A-070	3844312
XC17-030-230	27,200	14.50	12.00	CH33-36A		3844163
XC17-030-230	27,800	16.50	13.50	CH33-36B	G60UHV-36B-090	3844313
XC17-030-230	27,600	16.00	13.00	CH33-36B	G61MPV-36B-045	3844314
XC17-030-230	27,400	16.00	13.00	CH33-36B	G61MPV-36B-070	3844315
XC17-030-230	27,400	16.00	13.00	CH33-36B	G61MPV-36B-071	3844316
XC17-030-230	27,400	16.00	13.00	CH33-36B	G71MPP-36B-070	3844318
XC17-030-230	27,200	14.50	12.00	CH33-36B		3844164
XC17-030-230	28,000	16.50	13.50	CH33-36C	G61MPV-36C-090	3844317
XC17-030-230	28,000	16.50	13.50	CH33-36C	G71MPP-36C-090	3844319
XC17-030-230	27,600	14.70	12.20	CH33-36C		3844165
XC17-030-230	28,400	16.70	13.70	CH33-42	G60UHV-36B-090	3844320
XC17-030-230	28,200	16.20	13.20	CH33-42	G61MPV-36B-045	3844321
XC17-030-230	28,000	16.20	13.20	CH33-42	G61MPV-36B-070	3844322
XC17-030-230	28,000	16.20	13.20	CH33-42	G61MPV-36B-071	3844323
XC17-030-230	28,000	16.20	13.20	CH33-42	G71MPP-36B-070	3844324
XC17-030-230	27,800	15.00	12.20	CH33-42		3844166
XC17-030-230	29,200	17.20	14.20	CH33-43B	G60UHV-36B-090	3844325
XC17-030-230	28,800	16.70	13.70	CH33-43B	G61MPV-36B-045	3844326
XC17-030-230	28,800	16.70	13.70	CH33-43B	G61MPV-36B-070	3844327
XC17-030-230	28,800	16.70	13.70	CH33-43B	G61MPV-36B-071	3844328
XC17-030-230	28,800	16.70	13.70	CH33-43B	G71MPP-36B-070	3844330
XC17-030-230	28,600	15.20	12.70	CH33-43B		3844167
XC17-030-230	28,800	17.20	14.00	CH33-43C	G61MPV-36C-090	3844329
XC17-030-230	28,800	17.20	14.00	CH33-43C	G71MPP-36C-090	3844331
XC17-030-230	28,200	15.20	12.50	CH33-43C		3844168
XC17-030-230	28,000	15.00	12.50	CH33-44/48		3844169
XC17-030-230	27,800	16.20	13.20	CR33-30/36	G61MPV-36B-045	3844272
XC17-030-230	27,800	16.20	13.20	CR33-30/36	G61MPV-36B-070	3844273
XC17-030-230	27,800	16.20	13.20	CR33-30/36	G61MPV-36B-071	3844274
XC17-030-230	28,200	16.50	13.50	CR33-30/36	G61MPV-36C-090	3844275
XC17-030-230	27,800	16.20	13.20	CR33-30/36	G71MPP-36B-070	3844276
XC17-030-230	28,200	16.50	13.50	CR33-30/36	G71MPP-36C-090	3844277
XC17-030-230	27,600	14.70	12.20	CR33-30/36		3844155
XC17-030-230	27,800	16.00	13.20	CR33-48	G61MPV-36B-045	3844278
XC17-030-230	27,800	16.20	13.20	CR33-48	G61MPV-36B-070	3844279

NOTES:

+ TXV = Matched with Thermostatic Expansion Valve.

Ratings are certified in accordance with USE certification program which is based on AHRI Standard 210/240; 95°F outdoor air temperature, 80°F db / 67°F wb entering evaporator air with 25 ft. of connecting refrigerant lines.

All ratings include the use of a blower time delay relay (TDR). All Lennox variable-speed furnaces and Air Handlers have time delay capabilities. Other Furnaces and Air Handlers may require an optional time delay relay (58M81) for field installation. See furnace or air handler specifications to determine if relay is needed.

Also see TXV Substitution Table.

AHRI SYSTEM MATCHES

NOTE - For the latest up-to-date system matches please visit the AHRI web site at <http://www.ahridirectory.org>

Model No.	Cooling Btuh	SEER	EER	Indoor Coil or Air Handler	Furnace	AHRI Reference
XC17-030-230	27,800	16.00	13.20	CR33-48	G61MPV-36B-071	3844280
XC17-030-230	27,800	16.20	13.20	CR33-48	G71MPP-36B-070	3844281
XC17-030-230	27,600	14.70	12.20	CR33-48		3844156
XC17-030-230	27,600	16.00	13.00	CX34-25	G60UHV-36A-070	3844170
XC17-030-230	27,800	16.20	13.20	CX34-25	G60UHV-36B-090	3844171
XC17-030-230	27,400	15.70	12.70	CX34-25	G61MPV-36B-045	3844172
XC17-030-230	27,400	15.70	13.00	CX34-25	G61MPV-36B-070	3844173
XC17-030-230	27,400	15.70	12.70	CX34-25	G61MPV-36B-071	3844174
XC17-030-230	27,400	15.70	13.00	CX34-25	G71MPP-36B-070	3844175
XC17-030-230	27,200	14.50	12.00	CX34-25		3844139
XC17-030-230	27,200	15.50	12.70	CX34-30	G60UHV-36A-070	3844176
XC17-030-230	27,000	15.70	13.00	CX34-30	G60UHV-36B-090	3844177
XC17-030-230	27,000	15.20	12.70	CX34-30	G61MPV-36B-045	3844178
XC17-030-230	26,800	15.50	12.70	CX34-30	G61MPV-36B-070	3844179
XC17-030-230	26,800	15.50	12.70	CX34-30	G61MPV-36B-071	3844180
XC17-030-230	26,800	15.50	12.70	CX34-30	G71MPP-36B-070	3844181
XC17-030-230	26,800	14.00	11.70	CX34-30		3844140
XC17-030-230	28,400	16.50	13.50	CX34-31	G60UHV-36A-070	3844182
XC17-030-230	28,400	17.00	13.70	CX34-31	G60UHV-36B-090	3844183
XC17-030-230	28,200	16.20	13.20	CX34-31	G61MPV-36B-045	3844184
XC17-030-230	28,200	16.50	13.50	CX34-31	G61MPV-36B-070	3844185
XC17-030-230	28,200	16.20	13.50	CX34-31	G61MPV-36B-071	3844186
XC17-030-230	28,200	16.50	13.50	CX34-31	G71MPP-36B-070	3844187
XC17-030-230	27,800	15.00	12.20	CX34-31		3844141
XC17-030-230	27,600	16.00	13.20	CX34-36	G60UHV-36A-070	3844188
XC17-030-230	27,800	16.50	13.50	CX34-36	G60UHV-36B-090	3844189
XC17-030-230	27,600	16.00	13.00	CX34-36	G61MPV-36B-045	3844190
XC17-030-230	27,400	16.00	13.00	CX34-36	G61MPV-36B-070	3844191
XC17-030-230	27,400	16.00	13.00	CX34-36	G61MPV-36B-071	3844192
XC17-030-230	27,800	16.20	13.20	CX34-36	G61MPV-36C-090	3844193
XC17-030-230	27,400	16.00	13.00	CX34-36	G71MPP-36B-070	3844194
XC17-030-230	27,800	16.20	13.20	CX34-36	G71MPP-36C-090	3844195
XC17-030-230	27,200	14.50	12.00	CX34-36		3844142
XC17-030-230	28,600	16.50	13.70	CX34-38	G60UHV-36A-070	3844196
XC17-030-230	28,600	17.00	14.00	CX34-38	G60UHV-36B-090	3844197
XC17-030-230	28,400	16.50	13.50	CX34-38	G61MPV-36B-045	3844198
XC17-030-230	28,200	16.50	13.50	CX34-38	G61MPV-36B-070	3844199
XC17-030-230	28,200	16.50	13.50	CX34-38	G61MPV-36B-071	3844200
XC17-030-230	28,200	16.50	13.50	CX34-38	G71MPP-36B-070	3844201
XC17-030-230	28,000	15.00	12.50	CX34-38		3844143
XC17-030-230	27,800	16.50	13.50	CX34-42	G60UHV-36B-090	3844202

NOTES:

+ TXV = Matched with Thermostatic Expansion Valve.

Ratings are certified in accordance with USE certification program which is based on AHRI Standard 210/240; 95°F outdoor air temperature, 80°F db / 67°F wb entering evaporator air with 25 ft. of connecting refrigerant lines.

All ratings include the use of a blower time delay relay (TDR). All Lennox variable-speed furnaces and Air Handlers have time delay capabilities. Other Furnaces and Air Handlers may require an optional time delay relay (58M81) for field installation. See furnace or air handler specifications to determine if relay is needed.

Also see TXV Substitution Table.

AHRI SYSTEM MATCHES

NOTE - For the latest up-to-date system matches please visit the AHRI web site at <http://www.ahridirectory.org>

Model No.	Cooling Btuh	SEER	EER	Indoor Coil or Air Handler	Furnace	AHRI Reference
XC17-030-230	27,600	16.00	13.00	CX34-42	G61MPV-36B-045	3844203
XC17-030-230	27,400	16.00	13.00	CX34-42	G61MPV-36B-070	3844204
XC17-030-230	27,400	16.00	13.00	CX34-42	G61MPV-36B-071	3844205
XC17-030-230	27,400	16.00	13.00	CX34-42	G71MPP-36B-070	3844206
XC17-030-230	27,200	14.50	12.00	CX34-42		3844144
XC17-030-230	28,600	17.00	14.00	CX34-43	G60UHV-36B-090	3844207
XC17-030-230	28,200	16.50	13.50	CX34-43	G61MPV-36B-045	3844208
XC17-030-230	28,200	16.50	13.50	CX34-43	G61MPV-36B-070	3844209
XC17-030-230	28,200	16.50	13.50	CX34-43	G61MPV-36B-071	3844210
XC17-030-230	28,600	17.00	14.00	CX34-43	G61MPV-36C-090	3844211
XC17-030-230	28,200	16.50	13.50	CX34-43	G71MPP-36B-070	3844212
XC17-030-230	28,600	17.00	14.00	CX34-43	G71MPP-36C-090	3844213
XC17-030-230	28,400	16.20	13.50	CX34-43	O23V3/4-105/120	3844332
XC17-030-230	28,000	15.00	12.50	CX34-43		3844145
XC17-030-230	28,400	16.70	13.70	CX34-44/48	G60UHV-36B-090	3844214
XC17-030-230	28,000	16.20	13.20	CX34-44/48	G61MPV-36B-045	3844215
XC17-030-230	28,000	16.20	13.20	CX34-44/48	G61MPV-36B-070	3844216
XC17-030-230	28,000	16.20	13.20	CX34-44/48	G61MPV-36B-071	3844217
XC17-030-230	28,400	16.70	13.70	CX34-44/48	G61MPV-36C-090	3844218
XC17-030-230	28,000	16.20	13.20	CX34-44/48	G71MPP-36B-070	3844219
XC17-030-230	28,400	16.70	13.70	CX34-44/48	G71MPP-36C-090	3844220
XC17-030-230	27,800	15.00	12.20	CX34-44/48		3844146
XC17-036-230	34,600	15.70	13.20	C33-31	G60UHV-36A-070	3844439
XC17-036-230	34,600	16.00	13.50	C33-31	G60UHV-36B-090	3844440
XC17-036-230	34,600	15.50	13.20	C33-31	G61MPV-36B-045	3844441
XC17-036-230	34,600	15.50	13.20	C33-31	G61MPV-36B-070	3844442
XC17-036-230	34,600	15.50	13.20	C33-31	G61MPV-36B-071	3844444
XC17-036-230	34,600	15.50	13.20	C33-31	G71MPP-36B-070	3844443
XC17-036-230	34,400	14.70	12.50	C33-31		3844350
XC17-036-230	33,600	15.20	13.00	C33-36	G60UHV-36A-070	3844445
XC17-036-230	33,800	16.00	13.50	C33-36	G60UHV-36B-090	3844446
XC17-036-230	33,800	15.20	13.00	C33-36	G61MPV-36B-045	3844447
XC17-036-230	33,800	15.20	13.00	C33-36	G61MPV-36B-070	3844448
XC17-036-230	33,800	15.20	13.00	C33-36	G61MPV-36B-071	3844450
XC17-036-230	34,000	16.00	13.50	C33-36	G61MPV-36C-090	3844451
XC17-036-230	33,800	15.20	13.00	C33-36	G71MPP-36B-070	3844449
XC17-036-230	34,000	16.00	13.50	C33-36	G71MPP-36C-090	3844452
XC17-036-230	33,400	14.50	12.20	C33-36		3844351
XC17-036-230	34,800	16.00	13.50	C33-38	G60UHV-36A-070	3844453
XC17-036-230	35,200	16.50	13.70	C33-38	G60UHV-36B-090	3844454
XC17-036-230	34,800	15.70	13.20	C33-38	G61MPV-36B-045	3844455

NOTES:

+ TXV = Matched with Thermostatic Expansion Valve.

Ratings are certified in accordance with USE certification program which is based on AHRI Standard 210/240; 95°F outdoor air temperature, 80°F db / 67°F wb entering evaporator air with 25 ft. of connecting refrigerant lines.

All ratings include the use of a blower time delay relay (TDR). All Lennox variable-speed furnaces and Air Handlers have time delay capabilities. Other Furnaces and Air Handlers may require an optional time delay relay (58M81) for field installation. See furnace or air handler specifications to determine if relay is needed.

Also see TXV Substitution Table.

AHRI SYSTEM MATCHES

NOTE - For the latest up-to-date system matches please visit the AHRI web site at <http://www.ahridirectory.org>

Model No.	Cooling Btuh	SEER	EER	Indoor Coil or Air Handler	Furnace	AHRI Reference
XC17-036-230	35,000	15.70	13.50	C33-38	G61MPV-36B-070	3844456
XC17-036-230	34,800	15.70	13.20	C33-38	G61MPV-36B-071	3844458
XC17-036-230	35,000	15.70	13.50	C33-38	G71MPP-36B-070	3844457
XC17-036-230	34,600	15.00	12.70	C33-38		3844352
XC17-036-230	33,800	16.00	13.50	C33-42	G60UHV-36B-090	3844459
XC17-036-230	33,800	15.20	13.00	C33-42	G61MPV-36B-045	3844460
XC17-036-230	33,800	15.20	13.00	C33-42	G61MPV-36B-070	3844461
XC17-036-230	33,800	15.20	13.00	C33-42	G61MPV-36B-071	3844463
XC17-036-230	33,800	15.20	13.00	C33-42	G71MPP-36B-070	3844462
XC17-036-230	35,400	16.50	13.70	C33-43	G60UHV-36B-090	3844464
XC17-036-230	34,800	15.70	13.20	C33-43	G61MPV-36B-045	3844465
XC17-036-230	35,000	15.70	13.50	C33-43	G61MPV-36B-070	3844466
XC17-036-230	34,800	15.70	13.20	C33-43	G61MPV-36B-071	3844468
XC17-036-230	35,000	15.70	13.50	C33-43	G71MPP-36B-070	3844467
XC17-036-230	34,600	15.00	12.70	C33-43		3844353
XC17-036-230	34,800	16.20	13.70	C33-48	G60UHV-36B-090	3844469
XC17-036-230	35,400	16.20	13.70	C33-48	G60UHV-60C-110	3844474
XC17-036-230	34,600	15.70	13.20	C33-48	G61MPV-36B-045	3844470
XC17-036-230	34,600	15.70	13.20	C33-48	G61MPV-36B-070	3844471
XC17-036-230	34,600	15.70	13.20	C33-48	G61MPV-36B-071	3844473
XC17-036-230	34,800	16.20	13.70	C33-48	G61MPV-36C-090	3844475
XC17-036-230	35,200	16.20	13.70	C33-48	G61MPV-60C-090	3844477
XC17-036-230	35,200	16.20	13.70	C33-48	G61MPV-60C-110	3844479
XC17-036-230	35,200	16.20	13.70	C33-48	G61MPV-60C-111	3844481
XC17-036-230	34,600	15.70	13.20	C33-48	G71MPP-36B-070	3844472
XC17-036-230	34,800	16.20	13.70	C33-48	G71MPP-36C-090	3844476
XC17-036-230	35,200	16.20	13.70	C33-48	G71MPP-60C-090	3844478
XC17-036-230	35,200	16.20	13.70	C33-48	G71MPP-60C-110	3844480
XC17-036-230	34,400	14.70	12.50	C33-48		3844354
XC17-036-230	36,200	16.70	14.20	C33-49	G60UHV-60C-090	3844482
XC17-036-230	36,000	16.70	14.00	C33-49	G60UHV-60C-110	3844483
XC17-036-230	35,200	16.50	14.00	C33-49	G61MPV-36C-090	3844484
XC17-036-230	35,800	16.50	14.00	C33-49	G61MPV-60C-090	3844486
XC17-036-230	36,000	16.20	13.70	C33-49	G61MPV-60C-091	3844487
XC17-036-230	35,800	16.50	14.00	C33-49	G61MPV-60C-110	3844488
XC17-036-230	35,800	16.50	14.00	C33-49	G61MPV-60C-111	3844490
XC17-036-230	35,200	16.50	14.00	C33-49	G71MPP-36C-090	3844485
XC17-036-230	35,800	16.50	14.00	C33-49	G71MPP-60C-110	3844489
XC17-036-230	34,800	15.00	12.70	C33-49		3844355
XC17-036-230	35,600	16.50	14.00	C33-50/60C	G60UHV-60C-110	3844491
XC17-036-230	35,000	16.50	13.70	C33-50/60C	G61MPV-36C-090	3844492

NOTES:

+ TXV = Matched with Thermostatic Expansion Valve.

Ratings are certified in accordance with USE certification program which is based on AHRI Standard 210/240; 95°F outdoor air temperature, 80°F db / 67°F wb entering evaporator air with 25 ft. of connecting refrigerant lines.

All ratings include the use of a blower time delay relay (TDR). All Lennox variable-speed furnaces and Air Handlers have time delay capabilities. Other Furnaces and Air Handlers may require an optional time delay relay (58M81) for field installation. See furnace or air handler specifications to determine if relay is needed.

Also see TXV Substitution Table.

AHRI SYSTEM MATCHES

NOTE - For the latest up-to-date system matches please visit the AHRI web site at <http://www.ahridirectory.org>

Model No.	Cooling Btuh	SEER	EER	Indoor Coil or Air Handler	Furnace	AHRI Reference
XC17-036-230	35,400	16.20	13.70	C33-50/60C	G61MPV-60C-090	3844494
XC17-036-230	35,600	16.50	14.00	C33-50/60C	G61MPV-60C-110	3844495
XC17-036-230	35,600	16.50	14.00	C33-50/60C	G61MPV-60C-111	3844497
XC17-036-230	35,000	16.50	13.70	C33-50/60C	G71MPP-36C-090	3844493
XC17-036-230	35,600	16.50	14.00	C33-50/60C	G71MPP-60C-110	3844496
XC17-036-230	34,600	15.00	12.70	C33-50/60C		3844356
XC17-036-230	37,000	17.20	14.50	C33-62C	G60UHV-60C-090	3844498
XC17-036-230	36,600	17.00	14.20	C33-62C	G60UHV-60C-110	3844499
XC17-036-230	36,200	17.00	14.20	C33-62C	G61MPV-36C-090	3844500
XC17-036-230	36,600	16.70	14.20	C33-62C	G61MPV-60C-090	3844502
XC17-036-230	36,600	16.50	14.00	C33-62C	G61MPV-60C-091	3844503
XC17-036-230	36,600	17.00	14.20	C33-62C	G61MPV-60C-110	3844504
XC17-036-230	36,600	17.00	14.20	C33-62C	G61MPV-60C-111	3844506
XC17-036-230	36,200	17.00	14.20	C33-62C	G71MPP-36C-090	3844501
XC17-036-230	36,600	17.00	14.20	C33-62C	G71MPP-60C-110	3844505
XC17-036-230	35,800	15.20	13.00	C33-62C		3844357
XC17-036-230	34,600	16.20	13.70	CBX27UH-036-230		3844584
XC17-036-230	35,600	17.00	14.20	CBX27UH-042-230		3844585
XC17-036-230	33,800	15.00	12.70	CBX32M-030		3844580
XC17-036-230	34,000	15.00	12.70	CBX32M-036		3844581
XC17-036-230	34,000	15.00	12.70	CBX32M-042		3844582
XC17-036-230	35,200	15.70	13.20	CBX32M-048		3844583
XC17-036-230	34,200	15.70	13.20	CBX32MV-024/030		3844586
XC17-036-230	34,600	16.00	13.50	CBX32MV-036		3844587
XC17-036-230	35,800	17.00	14.50	CBX32MV-048		3844588
XC17-036-230	34,000	16.50	13.50	CBX40UHV-036		3844589
XC17-036-230	35,000	17.20	14.00	CBX40UHV-042		3844590
XC17-036-230	35,200	17.50	14.20	CBX40UHV-048		3844591
XC17-036-230	34,000	15.70	13.50	CH23-41	G60UHV-36A-070	3844531
XC17-036-230	34,200	16.20	13.70	CH23-41	G60UHV-36B-090	3844532
XC17-036-230	34,000	15.50	13.20	CH23-41	G61MPV-36B-045	3844533
XC17-036-230	34,000	15.70	13.20	CH23-41	G61MPV-36B-070	3844534
XC17-036-230	34,000	15.70	13.20	CH23-41	G61MPV-36B-071	3844536
XC17-036-230	34,200	16.20	13.70	CH23-41	G61MPV-36C-090	3844537
XC17-036-230	34,000	15.70	13.20	CH23-41	G71MPP-36B-070	3844535
XC17-036-230	34,200	16.20	13.70	CH23-41	G71MPP-36C-090	3844538
XC17-036-230	33,800	14.50	12.50	CH23-41		3844360
XC17-036-230	34,200	16.00	13.50	CH23-51	G60UHV-36A-070	3844539
XC17-036-230	34,400	16.50	13.70	CH23-51	G60UHV-36B-090	3844540
XC17-036-230	34,200	15.70	13.20	CH23-51	G61MPV-36B-045	3844541
XC17-036-230	34,200	15.70	13.20	CH23-51	G61MPV-36B-070	3844542

NOTES:

+ TXV = Matched with Thermostatic Expansion Valve.

Ratings are certified in accordance with USE certification program which is based on AHRI Standard 210/240; 95°F outdoor air temperature, 80°F db / 67°F wb entering evaporator air with 25 ft. of connecting refrigerant lines.

All ratings include the use of a blower time delay relay (TDR). All Lennox variable-speed furnaces and Air Handlers have time delay capabilities. Other Furnaces and Air Handlers may require an optional time delay relay (58M81) for field installation. See furnace or air handler specifications to determine if relay is needed.

Also see TXV Substitution Table.

AHRI SYSTEM MATCHES

NOTE - For the latest up-to-date system matches please visit the AHRI web site at <http://www.ahridirectory.org>

Model No.	Cooling Btuh	SEER	EER	Indoor Coil or Air Handler	Furnace	AHRI Reference
XC17-036-230	34,200	15.70	13.20	CH23-51	G61MPV-36B-071	3844544
XC17-036-230	34,400	16.20	13.70	CH23-51	G61MPV-36C-090	3844545
XC17-036-230	34,200	15.70	13.20	CH23-51	G71MPP-36B-070	3844543
XC17-036-230	34,400	16.20	13.70	CH23-51	G71MPP-36C-090	3844546
XC17-036-230	33,800	14.50	12.50	CH23-51		3844361
XC17-036-230	33,400	15.00	12.70	CH33-36A	G60UHV-36A-070	3844547
XC17-036-230	33,800	16.00	13.50	CH33-36B	G60UHV-36B-090	3844548
XC17-036-230	33,600	15.20	13.00	CH33-36B	G61MPV-36B-045	3844549
XC17-036-230	33,800	15.20	13.00	CH33-36B	G61MPV-36B-070	3844550
XC17-036-230	33,600	15.20	13.00	CH33-36B	G61MPV-36B-071	3844552
XC17-036-230	33,800	15.20	13.00	CH33-36B	G71MPP-36B-070	3844551
XC17-036-230	33,400	14.50	12.20	CH33-36B		3844362
XC17-036-230	34,200	16.00	13.50	CH33-36C	G61MPV-36C-090	3844553
XC17-036-230	34,200	16.00	13.50	CH33-36C	G71MPP-36C-090	3844554
XC17-036-230	33,800	14.50	12.50	CH33-36C		3844363
XC17-036-230	34,600	16.00	13.50	CH33-42	G60UHV-36B-090	3844555
XC17-036-230	34,400	15.50	13.00	CH33-42	G61MPV-36B-045	3844556
XC17-036-230	34,600	15.50	13.20	CH33-42	G61MPV-36B-070	3844557
XC17-036-230	34,400	15.50	13.00	CH33-42	G61MPV-36B-071	3844559
XC17-036-230	34,600	15.50	13.20	CH33-42	G71MPP-36B-070	3844558
XC17-036-230	33,400	14.70	12.50	CH33-42		3844364
XC17-036-230	35,800	16.50	14.00	CH33-43B	G60UHV-36B-090	3844560
XC17-036-230	36,000	17.00	14.20	CH33-43B	G61MPV-36B-045	3844561
XC17-036-230	35,600	16.00	13.50	CH33-43B	G61MPV-36B-070	3844562
XC17-036-230	35,600	16.00	13.50	CH33-43B	G61MPV-36B-071	3844564
XC17-036-230	35,600	16.00	13.50	CH33-43B	G71MPP-36B-070	3844563
XC17-036-230	35,400	15.20	13.00	CH33-43B		3844365
XC17-036-230	35,200	16.20	13.70	CH33-43C	G61MPV-36C-090	3844565
XC17-036-230	35,200	16.20	13.70	CH33-43C	G71MPP-36C-090	3844566
XC17-036-230	35,000	15.00	12.70	CH33-43C		3844366
XC17-036-230	35,000	16.20	13.70	CH33-44/48	G60UHV-36B-090	3844567
XC17-036-230	34,800	15.50	13.20	CH33-44/48	G61MPV-36B-045	3844568
XC17-036-230	34,800	15.70	13.20	CH33-44/48	G61MPV-36B-070	3844569
XC17-036-230	34,800	15.50	13.20	CH33-44/48	G61MPV-36B-071	3844571
XC17-036-230	34,800	15.70	13.20	CH33-44/48	G71MPP-36B-070	3844570
XC17-036-230	34,600	15.00	12.70	CH33-44/48		3844367
XC17-036-230	34,800	15.00	12.70	CH33-48		3844368
XC17-036-230	36,600	17.00	14.20	CH33-49	G60UHV-60C-090	3844572
XC17-036-230	36,200	16.70	14.00	CH33-49	G60UHV-60C-110	3844573
XC17-036-230	35,800	16.70	14.20	CH33-49	G61MPV-36C-090	3844574
XC17-036-230	35,800	16.70	14.20	CH33-49	G71MPP-36C-090	3844575

NOTES:

+ TXV = Matched with Thermostatic Expansion Valve.

Ratings are certified in accordance with USE certification program which is based on AHRI Standard 210/240; 95°F outdoor air temperature, 80°F db / 67°F wb entering evaporator air with 25 ft. of connecting refrigerant lines.

All ratings include the use of a blower time delay relay (TDR). All Lennox variable-speed furnaces and Air Handlers have time delay capabilities. Other Furnaces and Air Handlers may require an optional time delay relay (58M81) for field installation. See furnace or air handler specifications to determine if relay is needed.

Also see TXV Substitution Table.

AHRI SYSTEM MATCHES

NOTE - For the latest up-to-date system matches please visit the AHRI web site at <http://www.ahridirectory.org>

Model No.	Cooling Btuh	SEER	EER	Indoor Coil or Air Handler	Furnace	AHRI Reference
XC17-036-230	35,200	15.20	13.00	CH33-49		3844369
XC17-036-230	36,400	17.00	14.20	CH33-50/60C	G60UHV-60C-090	3844576
XC17-036-230	36,200	16.70	14.20	CH33-50/60C	G60UHV-60C-110	3844577
XC17-036-230	35,600	16.70	14.00	CH33-50/60C	G61MPV-36C-090	3844578
XC17-036-230	35,600	16.70	14.00	CH33-50/60C	G71MPP-36C-090	3844579
XC17-036-230	35,000	15.00	12.70	CH33-50/60C		3844370
XC17-036-230	34,200	15.70	13.20	CR33-30/36	G60DFV-36B-090	3844507
XC17-036-230	34,000	15.20	13.00	CR33-30/36	G61MPV-36B-045	3844508
XC17-036-230	34,000	15.20	13.00	CR33-30/36	G61MPV-36B-070	3844509
XC17-036-230	34,000	15.20	13.00	CR33-30/36	G61MPV-36B-071	3844511
XC17-036-230	34,200	15.70	13.50	CR33-30/36	G61MPV-36C-090	3844512
XC17-036-230	34,600	15.70	13.50	CR33-30/36	G61MPV-60C-090	3844514
XC17-036-230	34,600	16.00	13.50	CR33-30/36	G61MPV-60C-110	3844516
XC17-036-230	34,600	15.70	13.20	CR33-30/36	G61MPV-60C-111	3844518
XC17-036-230	34,000	15.20	13.00	CR33-30/36	G71MPP-36B-070	3844510
XC17-036-230	34,200	15.70	13.50	CR33-30/36	G71MPP-36C-090	3844513
XC17-036-230	34,600	15.70	13.50	CR33-30/36	G71MPP-60C-090	3844515
XC17-036-230	34,600	16.00	13.50	CR33-30/36	G71MPP-60C-110	3844517
XC17-036-230	33,800	14.50	12.50	CR33-30/36		3844358
XC17-036-230	34,400	16.00	13.50	CR33-48	G60DFV-36B-090	3844519
XC17-036-230	34,200	15.50	13.20	CR33-48	G61MPV-36B-045	3844520
XC17-036-230	34,200	15.50	13.20	CR33-48	G61MPV-36B-070	3844521
XC17-036-230	34,200	15.50	13.20	CR33-48	G61MPV-36B-071	3844523
XC17-036-230	34,400	16.00	13.50	CR33-48	G61MPV-36C-090	3844524
XC17-036-230	34,800	16.00	13.50	CR33-48	G61MPV-60C-090	3844526
XC17-036-230	34,800	16.00	13.50	CR33-48	G61MPV-60C-110	3844528
XC17-036-230	34,800	16.00	13.50	CR33-48	G61MPV-60C-111	3844530
XC17-036-230	34,200	15.50	13.20	CR33-48	G71MPP-36B-070	3844522
XC17-036-230	34,400	16.00	13.50	CR33-48	G71MPP-36C-090	3844525
XC17-036-230	34,800	16.00	13.50	CR33-48	G71MPP-60C-090	3844527
XC17-036-230	34,800	16.00	13.50	CR33-48	G71MPP-60C-110	3844529
XC17-036-230	34,000	14.50	12.50	CR33-48		3844359
XC17-036-230	34,600	15.70	13.20	CX34-31	G60UHV-36A-070	3844371
XC17-036-230	34,600	16.00	13.50	CX34-31	G60UHV-36B-090	3844372
XC17-036-230	34,600	15.50	13.20	CX34-31	G61MPV-36B-045	3844373
XC17-036-230	34,600	15.50	13.20	CX34-31	G61MPV-36B-070	3844374
XC17-036-230	34,600	15.50	13.20	CX34-31	G61MPV-36B-071	3844376
XC17-036-230	34,600	15.50	13.20	CX34-31	G71MPP-36B-070	3844375
XC17-036-230	34,400	14.70	12.50	CX34-31		3844342
XC17-036-230	33,600	15.20	13.00	CX34-36	G60UHV-36A-070	3844377
XC17-036-230	33,800	16.00	13.50	CX34-36	G60UHV-36B-090	3844378

NOTES:

+ TXV = Matched with Thermostatic Expansion Valve.

Ratings are certified in accordance with USE certification program which is based on AHRI Standard 210/240; 95°F outdoor air temperature, 80°F db / 67°F wb entering evaporator air with 25 ft. of connecting refrigerant lines.

All ratings include the use of a blower time delay relay (TDR). All Lennox variable-speed furnaces and Air Handlers have time delay capabilities. Other Furnaces and Air Handlers may require an optional time delay relay (58M81) for field installation. See furnace or air handler specifications to determine if relay is needed.

Also see TXV Substitution Table.

AHRI SYSTEM MATCHES

NOTE - For the latest up-to-date system matches please visit the AHRI web site at <http://www.ahridirectory.org>

Model No.	Cooling Btuh	SEER	EER	Indoor Coil or Air Handler	Furnace	AHRI Reference
XC17-036-230	33,800	15.20	13.00	CX34-36	G61MPV-36B-045	3844379
XC17-036-230	33,800	15.20	13.00	CX34-36	G61MPV-36B-070	3844380
XC17-036-230	33,800	15.20	13.00	CX34-36	G61MPV-36B-071	3844382
XC17-036-230	34,000	16.00	13.50	CX34-36	G61MPV-36C-090	3844383
XC17-036-230	33,800	15.20	13.00	CX34-36	G71MPP-36B-070	3844381
XC17-036-230	34,000	16.00	13.50	CX34-36	G71MPP-36C-090	3844384
XC17-036-230	33,400	14.50	12.20	CX34-36		3844343
XC17-036-230	34,800	16.00	13.50	CX34-38	G60UHV-36A-070	3844385
XC17-036-230	35,200	16.50	13.70	CX34-38	G60UHV-36B-090	3844386
XC17-036-230	34,800	15.70	13.20	CX34-38	G61MPV-36B-045	3844387
XC17-036-230	35,000	15.70	13.50	CX34-38	G61MPV-36B-070	3844388
XC17-036-230	34,800	15.70	13.20	CX34-38	G61MPV-36B-071	3844390
XC17-036-230	35,000	15.70	13.50	CX34-38	G71MPP-36B-070	3844389
XC17-036-230	34,600	15.00	12.70	CX34-38		3844344
XC17-036-230	33,800	16.00	13.50	CX34-42	G60UHV-36B-090	3844391
XC17-036-230	33,800	15.20	13.00	CX34-42	G61MPV-36B-045	3844392
XC17-036-230	33,800	15.20	13.00	CX34-42	G61MPV-36B-070	3844393
XC17-036-230	33,800	15.20	13.00	CX34-42	G61MPV-36B-071	3844395
XC17-036-230	33,800	15.20	13.00	CX34-42	G71MPP-36B-070	3844394
XC17-036-230	35,400	16.50	13.70	CX34-43	G60UHV-36B-090	3844396
XC17-036-230	34,800	15.70	13.20	CX34-43	G61MPV-36B-045	3844397
XC17-036-230	35,000	15.70	13.50	CX34-43	G61MPV-36B-070	3844398
XC17-036-230	34,800	15.70	13.20	CX34-43	G61MPV-36B-071	3844400
XC17-036-230	35,000	15.70	13.50	CX34-43	G71MPP-36B-070	3844399
XC17-036-230	34,600	15.00	12.70	CX34-43		3844345
XC17-036-230	34,800	16.20	13.70	CX34-44/48	G60UHV-36B-090	3844401
XC17-036-230	35,400	16.20	13.70	CX34-44/48	G60UHV-60C-110	3844406
XC17-036-230	34,600	15.70	13.20	CX34-44/48	G61MPV-36B-045	3844402
XC17-036-230	34,600	15.70	13.20	CX34-44/48	G61MPV-36B-070	3844403
XC17-036-230	34,600	15.70	13.20	CX34-44/48	G61MPV-36B-071	3844405
XC17-036-230	34,800	16.20	13.70	CX34-44/48	G61MPV-36C-090	3844407
XC17-036-230	35,200	16.20	13.70	CX34-44/48	G61MPV-60C-090	3844409
XC17-036-230	35,200	16.20	13.70	CX34-44/48	G61MPV-60C-110	3844411
XC17-036-230	35,200	16.20	13.70	CX34-44/48	G61MPV-60C-111	3844413
XC17-036-230	34,600	15.70	13.20	CX34-44/48	G71MPP-36B-070	3844404
XC17-036-230	34,800	16.20	13.70	CX34-44/48	G71MPP-36C-090	3844408
XC17-036-230	35,200	16.20	13.70	CX34-44/48	G71MPP-60C-090	3844410
XC17-036-230	35,200	16.20	13.70	CX34-44/48	G71MPP-60C-110	3844412
XC17-036-230	34,400	14.70	12.50	CX34-44/48		3844346
XC17-036-230	36,200	16.70	14.20	CX34-49	G60UHV-60C-090	3844414
XC17-036-230	36,000	16.70	14.00	CX34-49	G60UHV-60C-110	3844415

NOTES:

+ TXV = Matched with Thermostatic Expansion Valve.

Ratings are certified in accordance with USE certification program which is based on AHRI Standard 210/240; 95°F outdoor air temperature, 80°F db / 67°F wb entering evaporator air with 25 ft. of connecting refrigerant lines.

All ratings include the use of a blower time delay relay (TDR). All Lennox variable-speed furnaces and Air Handlers have time delay capabilities. Other Furnaces and Air Handlers may require an optional time delay relay (58M81) for field installation. See furnace or air handler specifications to determine if relay is needed.

Also see TXV Substitution Table.

AHRI SYSTEM MATCHES

NOTE - For the latest up-to-date system matches please visit the AHRI web site at <http://www.ahridirectory.org>

Model No.	Cooling Btuh	SEER	EER	Indoor Coil or Air Handler	Furnace	AHRI Reference
XC17-036-230	35,200	16.50	14.00	CX34-49	G61MPV-36C-090	3844416
XC17-036-230	35,800	16.50	14.00	CX34-49	G61MPV-60C-090	3844418
XC17-036-230	36,000	16.20	13.70	CX34-49	G61MPV-60C-091	3844419
XC17-036-230	35,800	16.50	14.00	CX34-49	G61MPV-60C-110	3844420
XC17-036-230	35,800	16.50	14.00	CX34-49	G61MPV-60C-111	3844422
XC17-036-230	35,200	16.50	14.00	CX34-49	G71MPP-36C-090	3844417
XC17-036-230	35,800	16.50	14.00	CX34-49	G71MPP-60C-110	3844421
XC17-036-230	34,800	15.00	12.70	CX34-49		3844347
XC17-036-230	35,600	16.50	14.00	CX34-50/60C	G60UHV-60C-110	3844423
XC17-036-230	35,000	16.50	13.70	CX34-50/60C	G61MPV-36C-090	3844424
XC17-036-230	35,400	16.20	13.70	CX34-50/60C	G61MPV-60C-090	3844426
XC17-036-230	35,600	16.50	14.00	CX34-50/60C	G61MPV-60C-110	3844427
XC17-036-230	35,600	16.50	14.00	CX34-50/60C	G61MPV-60C-111	3844429
XC17-036-230	35,000	16.50	13.70	CX34-50/60C	G71MPP-36C-090	3844425
XC17-036-230	35,600	16.50	14.00	CX34-50/60C	G71MPP-60C-110	3844428
XC17-036-230	34,600	15.00	12.70	CX34-50/60C		3844348
XC17-036-230	37,000	17.20	14.50	CX34-62C	G60UHV-60C-090	3844430
XC17-036-230	36,600	17.00	14.20	CX34-62C	G60UHV-60C-110	3844431
XC17-036-230	36,200	17.00	14.20	CX34-62C	G61MPV-36C-090	3844432
XC17-036-230	36,600	16.70	14.20	CX34-62C	G61MPV-60C-090	3844434
XC17-036-230	36,600	16.50	14.00	CX34-62C	G61MPV-60C-091	3844435
XC17-036-230	36,600	17.00	14.20	CX34-62C	G61MPV-60C-110	3844436
XC17-036-230	36,600	17.00	14.20	CX34-62C	G61MPV-60C-111	3844438
XC17-036-230	36,200	17.00	14.20	CX34-62C	G71MPP-36C-090	3844433
XC17-036-230	36,600	17.00	14.20	CX34-62C	G71MPP-60C-110	3844437
XC17-036-230	35,800	15.20	13.00	CX34-62C		3844349
XC17-042-230	39,500	15.70	12.70	C33-38	G60UHV-36B-090	3844704
XC17-042-230	39,000	14.70	12.20	C33-38	G61MPV-36B-045	3844705
XC17-042-230	39,500	14.70	12.20	C33-38	G61MPV-36B-070	3844706
XC17-042-230	39,000	15.00	12.20	C33-38	G61MPV-36B-071	3844707
XC17-042-230	39,500	14.70	12.20	C33-38	G71MPP-36B-070	3844708
XC17-042-230	39,000	14.50	12.00	C33-38		3844609
XC17-042-230	38,000	15.00	12.20	C33-42	G60UHV-36B-090	3844709
XC17-042-230	37,400	14.20	11.70	C33-42	G61MPV-36B-045	3844710
XC17-042-230	37,800	14.20	11.70	C33-42	G61MPV-36B-070	3844711
XC17-042-230	37,400	14.20	11.70	C33-42	G61MPV-36B-071	3844712
XC17-042-230	37,800	14.20	11.70	C33-42	G71MPP-36B-070	3844713
XC17-042-230	37,800	14.00	11.70	C33-42		3844610
XC17-042-230	39,500	15.50	12.70	C33-43	G60UHV-36B-090	3844714
XC17-042-230	39,500	16.20	13.20	C33-43	G60UHV-60C-090	3844719
XC17-042-230	40,000	15.70	13.00	C33-43	G60UHV-60C-110	3844720

NOTES:

+ TXV = Matched with Thermostatic Expansion Valve.

Ratings are certified in accordance with USE certification program which is based on AHRI Standard 210/240; 95°F outdoor air temperature, 80°F db / 67°F wb entering evaporator air with 25 ft. of connecting refrigerant lines.

All ratings include the use of a blower time delay relay (TDR). All Lennox variable-speed furnaces and Air Handlers have time delay capabilities. Other Furnaces and Air Handlers may require an optional time delay relay (58M81) for field installation. See furnace or air handler specifications to determine if relay is needed.

Also see TXV Substitution Table.

AHRI SYSTEM MATCHES

NOTE - For the latest up-to-date system matches please visit the AHRI web site at <http://www.ahridirectory.org>

Model No.	Cooling Btuh	SEER	EER	Indoor Coil or Air Handler	Furnace	AHRI Reference
XC17-042-230	39,000	14.70	12.20	C33-43	G61MPV-36B-045	3844715
XC17-042-230	39,500	14.70	12.20	C33-43	G61MPV-36B-070	3844716
XC17-042-230	39,000	15.00	12.20	C33-43	G61MPV-36B-071	3844717
XC17-042-230	39,500	15.50	12.70	C33-43	G61MPV-36C-090	3844721
XC17-042-230	39,500	15.70	13.00	C33-43	G61MPV-60C-090	3844722
XC17-042-230	39,500	15.70	13.00	C33-43	G61MPV-60C-091	3844724
XC17-042-230	40,000	16.00	13.20	C33-43	G61MPV-60C-110	3844725
XC17-042-230	40,000	15.70	13.00	C33-43	G61MPV-60C-111	3844726
XC17-042-230	39,500	14.70	12.20	C33-43	G71MPP-36B-070	3844718
XC17-042-230	39,500	15.50	12.70	C33-43	G71MPP-36C-090	3844728
XC17-042-230	39,500	15.70	13.00	C33-43	G71MPP-60C-090	3844729
XC17-042-230	40,000	16.00	13.20	C33-43	G71MPP-60C-110	3844730
XC17-042-230	39,500	14.70	12.20	C33-43		3844611
XC17-042-230	39,000	15.50	12.50	C33-48	G60UHV-36B-090	3844731
XC17-042-230	39,000	15.70	12.70	C33-48	G60UHV-60C-090	3844738
XC17-042-230	39,500	15.50	12.70	C33-48	G60UHV-60C-110	3844739
XC17-042-230	38,500	14.70	12.00	C33-48	G61MPV-36B-045	3844732
XC17-042-230	39,000	14.70	12.20	C33-48	G61MPV-36B-070	3844734
XC17-042-230	38,500	14.70	12.20	C33-48	G61MPV-36B-071	3844736
XC17-042-230	39,000	15.20	12.50	C33-48	G61MPV-36C-090	3844740
XC17-042-230	39,000	15.50	12.70	C33-48	G61MPV-60C-090	3844741
XC17-042-230	39,000	15.50	12.70	C33-48	G61MPV-60C-091	3844743
XC17-042-230	39,500	15.50	12.70	C33-48	G61MPV-60C-110	3844744
XC17-042-230	39,000	15.50	12.70	C33-48	G61MPV-60C-111	3844745
XC17-042-230	39,000	14.70	12.20	C33-48	G71MPP-36B-070	3844735
XC17-042-230	39,000	15.20	12.50	C33-48	G71MPP-36C-090	3844747
XC17-042-230	39,000	15.50	12.70	C33-48	G71MPP-60C-090	3844748
XC17-042-230	39,500	15.50	12.70	C33-48	G71MPP-60C-110	3844750
XC17-042-230	39,000	14.50	12.00	C33-48		3844612
XC17-042-230	40,000	16.20	13.20	C33-49	G60UHV-60C-090	3844751
XC17-042-230	40,500	16.00	13.00	C33-49	G60UHV-60C-110	3844752
XC17-042-230	40,000	15.70	13.00	C33-49	G61MPV-36C-090	3844753
XC17-042-230	40,000	16.00	13.00	C33-49	G61MPV-60C-090	3844755
XC17-042-230	40,000	15.70	13.00	C33-49	G61MPV-60C-091	3844756
XC17-042-230	40,500	16.00	13.20	C33-49	G61MPV-60C-110	3844757
XC17-042-230	40,000	16.00	13.00	C33-49	G61MPV-60C-111	3844759
XC17-042-230	40,000	15.70	13.00	C33-49	G71MPP-36C-090	3844760
XC17-042-230	40,000	16.00	13.00	C33-49	G71MPP-60C-090	3844762
XC17-042-230	40,500	16.00	13.20	C33-49	G71MPP-60C-110	3844763
XC17-042-230	39,500	14.70	12.20	C33-49		3844613
XC17-042-230	39,500	15.70	13.00	C33-50/60C	G60UHV-60C-090	3844764

NOTES:

+ TXV = Matched with Thermostatic Expansion Valve.

Ratings are certified in accordance with USE certification program which is based on AHRI Standard 210/240; 95°F outdoor air temperature, 80°F db / 67°F wb entering evaporator air with 25 ft. of connecting refrigerant lines.

All ratings include the use of a blower time delay relay (TDR). All Lennox variable-speed furnaces and Air Handlers have time delay capabilities. Other Furnaces and Air Handlers may require an optional time delay relay (58M81) for field installation. See furnace or air handler specifications to determine if relay is needed.

Also see TXV Substitution Table.

AHRI SYSTEM MATCHES

NOTE - For the latest up-to-date system matches please visit the AHRI web site at <http://www.ahridirectory.org>

Model No.	Cooling Btuh	SEER	EER	Indoor Coil or Air Handler	Furnace	AHRI Reference
XC17-042-230	39,500	15.70	12.70	C33-50/60C	G60UHV-60C-110	3844765
XC17-042-230	39,500	15.50	12.70	C33-50/60C	G61MPV-36C-090	3844766
XC17-042-230	39,500	15.70	12.70	C33-50/60C	G61MPV-60C-090	3844767
XC17-042-230	39,500	15.50	12.70	C33-50/60C	G61MPV-60C-091	3844768
XC17-042-230	39,500	15.70	12.70	C33-50/60C	G61MPV-60C-110	3844769
XC17-042-230	39,500	15.70	12.70	C33-50/60C	G61MPV-60C-111	3844770
XC17-042-230	39,500	15.50	12.70	C33-50/60C	G71MPP-36C-090	3844771
XC17-042-230	39,500	15.70	12.70	C33-50/60C	G71MPP-60C-090	3844772
XC17-042-230	39,500	15.70	12.70	C33-50/60C	G71MPP-60C-110	3844773
XC17-042-230	39,000	14.50	12.00	C33-50/60C		3844614
XC17-042-230	40,000	16.50	13.50	C33-60D	G60UHV-60D-135	3844774
XC17-042-230	40,000	16.20	13.20	C33-60D	G61MPV-60D-135	3844775
XC17-042-230	40,000	16.20	13.20	C33-60D	G71MPP-60D-135	3844776
XC17-042-230	39,500	14.70	12.20	C33-60D		3844615
XC17-042-230	41,000	16.70	13.70	C33-62C	G60UHV-60C-090	3844777
XC17-042-230	41,000	16.20	13.20	C33-62C	G60UHV-60C-110	3844778
XC17-042-230	41,000	16.00	13.20	C33-62C	G61MPV-36C-090	3844779
XC17-042-230	41,000	16.20	13.50	C33-62C	G61MPV-60C-090	3844780
XC17-042-230	40,500	16.20	13.20	C33-62C	G61MPV-60C-091	3844781
XC17-042-230	41,000	16.50	13.50	C33-62C	G61MPV-60C-110	3844782
XC17-042-230	41,000	16.20	13.50	C33-62C	G61MPV-60C-111	3844783
XC17-042-230	41,000	16.00	13.20	C33-62C	G71MPP-36C-090	3844784
XC17-042-230	41,000	16.20	13.50	C33-62C	G71MPP-60C-090	3844785
XC17-042-230	41,000	16.50	13.50	C33-62C	G71MPP-60C-110	3844786
XC17-042-230	40,500	16.50	13.50	C33-62D	G60UHV-60D-135	3844787
XC17-042-230	40,500	16.50	13.50	C33-62D	G61MPV-60D-135	3844788
XC17-042-230	40,000	14.70	12.20	C33-62D		3844616
XC17-042-230	40,500	16.20	13.50	CBX27UH-042-230		3844910
XC17-042-230	40,000	16.20	13.20	CBX27UH-048-230		3844911
XC17-042-230	37,800	14.70	12.00	CBX32M-036		3844907
XC17-042-230	38,500	14.70	12.20	CBX32M-042		3844908
XC17-042-230	40,000	15.50	12.70	CBX32M-048		3844909
XC17-042-230	38,000	15.50	12.70	CBX32MV-036		3844912
XC17-042-230	39,500	16.50	13.50	CBX32MV-048		3844913
XC17-042-230	38,000	15.70	12.70	CBX40UHV-036		3844914
XC17-042-230	39,500	16.50	13.50	CBX40UHV-048		3844915
XC17-042-230	39,000	15.70	13.00	CH23-51	G60UHV-60C-090	3844817
XC17-042-230	39,000	15.50	12.70	CH23-51	G60UHV-60C-110	3844818
XC17-042-230	39,000	15.20	12.70	CH23-51	G61MPV-36C-090	3844819
XC17-042-230	39,000	15.50	12.70	CH23-51	G61MPV-60C-090	3844820
XC17-042-230	38,500	15.50	12.70	CH23-51	G61MPV-60C-091	3844821

NOTES:

+ TXV = Matched with Thermostatic Expansion Valve.

Ratings are certified in accordance with USE certification program which is based on AHRI Standard 210/240; 95°F outdoor air temperature, 80°F db / 67°F wb entering evaporator air with 25 ft. of connecting refrigerant lines.

All ratings include the use of a blower time delay relay (TDR). All Lennox variable-speed furnaces and Air Handlers have time delay capabilities. Other Furnaces and Air Handlers may require an optional time delay relay (58M81) for field installation. See furnace or air handler specifications to determine if relay is needed.

Also see TXV Substitution Table.

AHRI SYSTEM MATCHES

NOTE - For the latest up-to-date system matches please visit the AHRI web site at <http://www.ahridirectory.org>

Model No.	Cooling Btuh	SEER	EER	Indoor Coil or Air Handler	Furnace	AHRI Reference
XC17-042-230	39,000	15.70	12.70	CH23-51	G61MPV-60C-110	3844822
XC17-042-230	39,000	15.50	12.70	CH23-51	G61MPV-60C-111	3844823
XC17-042-230	39,000	15.20	12.70	CH23-51	G71MPP-36C-090	3844824
XC17-042-230	39,000	15.50	12.70	CH23-51	G71MPP-60C-090	3844825
XC17-042-230	39,000	15.70	12.70	CH23-51	G71MPP-60C-110	3844826
XC17-042-230	38,500	14.20	12.00	CH23-51		3844620
XC17-042-230	39,500	16.00	13.00	CH23-65	G60UHV-60C-090	3844827
XC17-042-230	39,500	15.70	12.70	CH23-65	G60UHV-60C-110	3844828
XC17-042-230	39,500	16.00	13.20	CH23-65	G60UHV-60D-135	3844837
XC17-042-230	39,000	15.50	12.70	CH23-65	G61MPV-36C-090	3844829
XC17-042-230	39,000	15.70	12.70	CH23-65	G61MPV-60C-090	3844830
XC17-042-230	39,000	15.50	12.70	CH23-65	G61MPV-60C-091	3844831
XC17-042-230	39,500	15.70	13.00	CH23-65	G61MPV-60C-110	3844832
XC17-042-230	39,000	15.70	12.70	CH23-65	G61MPV-60C-111	3844833
XC17-042-230	39,500	16.00	13.00	CH23-65	G61MPV-60D-135	3844838
XC17-042-230	39,000	15.50	12.70	CH23-65	G71MPP-36C-090	3844834
XC17-042-230	39,000	15.70	12.70	CH23-65	G71MPP-60C-090	3844835
XC17-042-230	39,000	15.70	12.70	CH23-65	G71MPP-60C-111	3844836
XC17-042-230	39,500	16.00	13.20	CH23-65	G71MPP-60D-135	3844839
XC17-042-230	38,500	14.50	12.00	CH23-65		3844621
XC17-042-230	40,500	16.50	13.50	CH23-68	G60UHV-60C-090	3844840
XC17-042-230	40,500	16.20	13.20	CH23-68	G60UHV-60C-110	3844841
XC17-042-230	40,500	16.50	13.50	CH23-68	G60UHV-60D-135	3844850
XC17-042-230	40,500	16.00	13.00	CH23-68	G61MPV-36C-090	3844842
XC17-042-230	40,500	16.20	13.20	CH23-68	G61MPV-60C-090	3844843
XC17-042-230	40,000	16.00	13.00	CH23-68	G61MPV-60C-091	3844844
XC17-042-230	40,500	16.20	13.20	CH23-68	G61MPV-60C-110	3844845
XC17-042-230	40,500	16.20	13.20	CH23-68	G61MPV-60C-111	3844846
XC17-042-230	40,500	16.50	13.50	CH23-68	G61MPV-60D-135	3844851
XC17-042-230	40,500	16.00	13.00	CH23-68	G71MPP-36C-090	3844847
XC17-042-230	40,500	16.20	13.20	CH23-68	G71MPP-60C-090	3844848
XC17-042-230	40,500	16.20	13.20	CH23-68	G71MPP-60C-110	3844849
XC17-042-230	40,500	16.50	13.50	CH23-68	G71MPP-60D-135	3844852
XC17-042-230	40,000	15.00	12.20	CH23-68		3844622
XC17-042-230	39,000	15.50	12.50	CH33-42	G60UHV-36B-090	3844853
XC17-042-230	38,500	14.70	12.00	CH33-42	G61MPV-36B-045	3844854
XC17-042-230	39,000	14.70	12.20	CH33-42	G61MPV-36B-070	3844855
XC17-042-230	38,500	14.70	12.20	CH33-42	G61MPV-36B-071	3844856
XC17-042-230	39,000	14.70	12.20	CH33-42	G71MPP-36B-070	3844857
XC17-042-230	38,500	14.50	12.00	CH33-42		3844623
XC17-042-230	40,500	16.00	13.00	CH33-43	G60UHV-36B-090	3844858

NOTES:

+ TXV = Matched with Thermostatic Expansion Valve.

Ratings are certified in accordance with USE certification program which is based on AHRI Standard 210/240; 95°F outdoor air temperature, 80°F db / 67°F wb entering evaporator air with 25 ft. of connecting refrigerant lines.

All ratings include the use of a blower time delay relay (TDR). All Lennox variable-speed furnaces and Air Handlers have time delay capabilities. Other Furnaces and Air Handlers may require an optional time delay relay (58M81) for field installation. See furnace or air handler specifications to determine if relay is needed.

Also see TXV Substitution Table.

AHRI SYSTEM MATCHES

NOTE - For the latest up-to-date system matches please visit the AHRI web site at <http://www.ahridirectory.org>

Model No.	Cooling Btuh	SEER	EER	Indoor Coil or Air Handler	Furnace	AHRI Reference
XC17-042-230	40,000	16.20	13.50	CH33-43	G60UHV-60C-090	3844863
XC17-042-230	40,000	16.00	13.00	CH33-43	G60UHV-60C-110	3844864
XC17-042-230	40,000	15.20	12.50	CH33-43	G61MPV-36B-045	3844859
XC17-042-230	40,000	15.20	12.50	CH33-43	G61MPV-36B-070	3844860
XC17-042-230	40,000	15.20	12.50	CH33-43	G61MPV-36B-071	3844861
XC17-042-230	40,000	15.70	13.00	CH33-43	G61MPV-36C-090	3844865
XC17-042-230	40,000	16.00	13.00	CH33-43	G61MPV-60C-090	3844866
XC17-042-230	40,000	16.00	13.00	CH33-43	G61MPV-60C-091	3844867
XC17-042-230	40,000	16.00	13.00	CH33-43	G61MPV-60C-110	3844868
XC17-042-230	40,000	16.00	13.00	CH33-43	G61MPV-60C-111	3844869
XC17-042-230	40,000	15.20	12.50	CH33-43	G71MPP-36B-070	3844862
XC17-042-230	40,000	15.70	13.00	CH33-43	G71MPP-36C-090	3844870
XC17-042-230	40,000	16.00	13.00	CH33-43	G71MPP-60C-090	3844871
XC17-042-230	40,000	16.00	13.00	CH33-43	G71MPP-60C-110	3844872
XC17-042-230	39,500	14.70	12.20	CH33-43		3844624
XC17-042-230	39,500	15.50	12.70	CH33-44/48	G60UHV-36B-090	3844873
XC17-042-230	39,500	14.70	12.20	CH33-44/48	G61MPV-36B-070	3844874
XC17-042-230	39,000	15.00	12.20	CH33-44/48	G61MPV-36B-071	3844875
XC17-042-230	39,500	14.70	12.20	CH33-44/48	G71MPP-36B-070	3844876
XC17-042-230	39,000	14.70	12.00	CH33-44/48		3844625
XC17-042-230	40,000	16.00	13.20	CH33-48	G60UHV-60C-090	3844877
XC17-042-230	40,000	16.00	13.00	CH33-48	G60UHV-60C-110	3844878
XC17-042-230	39,500	15.50	12.70	CH33-48	G61MPV-36C-090	3844879
XC17-042-230	39,500	15.70	12.70	CH33-48	G61MPV-60C-090	3844880
XC17-042-230	39,500	15.70	12.70	CH33-48	G61MPV-60C-091	3844881
XC17-042-230	40,000	15.70	13.00	CH33-48	G61MPV-60C-110	3844882
XC17-042-230	40,000	15.70	13.00	CH33-48	G61MPV-60C-111	3844883
XC17-042-230	39,500	15.50	12.70	CH33-48	G71MPP-36C-090	3844884
XC17-042-230	39,500	15.70	12.70	CH33-48	G71MPP-60C-090	3844885
XC17-042-230	40,000	15.70	13.00	CH33-48	G71MPP-60C-110	3844886
XC17-042-230	39,500	14.70	12.20	CH33-48		3844626
XC17-042-230	40,500	16.20	13.20	CH33-49	G60UHV-60C-090	3844887
XC17-042-230	40,500	16.00	13.00	CH33-49	G60UHV-60C-110	3844888
XC17-042-230	40,500	15.70	13.00	CH33-49	G61MPV-36C-090	3844889
XC17-042-230	40,500	16.00	13.20	CH33-49	G61MPV-60C-090	3844890
XC17-042-230	40,000	15.70	13.00	CH33-49	G61MPV-60C-091	3844891
XC17-042-230	40,500	16.00	13.20	CH33-49	G61MPV-60C-110	3844892
XC17-042-230	40,500	16.00	13.00	CH33-49	G61MPV-60C-111	3844893
XC17-042-230	40,500	15.70	13.00	CH33-49	G71MPP-36C-090	3844894
XC17-042-230	40,500	16.00	13.20	CH33-49	G71MPP-60C-090	3844895
XC17-042-230	40,500	16.00	13.20	CH33-49	G71MPP-60C-110	3844896

NOTES:

+ TXV = Matched with Thermostatic Expansion Valve.

Ratings are certified in accordance with USE certification program which is based on AHRI Standard 210/240; 95°F outdoor air temperature, 80°F db / 67°F wb entering evaporator air with 25 ft. of connecting refrigerant lines.

All ratings include the use of a blower time delay relay (TDR). All Lennox variable-speed furnaces and Air Handlers have time delay capabilities. Other Furnaces and Air Handlers may require an optional time delay relay (58M81) for field installation. See furnace or air handler specifications to determine if relay is needed.

Also see TXV Substitution Table.

AHRI SYSTEM MATCHES

NOTE - For the latest up-to-date system matches please visit the AHRI web site at <http://www.ahridirectory.org>

Model No.	Cooling Btuh	SEER	EER	Indoor Coil or Air Handler	Furnace	AHRI Reference
XC17-042-230	40,000	15.00	12.20	CH33-49		3844627
XC17-042-230	40,000	16.00	13.20	CH33-50/60C	G60UHV-60C-090	3844897
XC17-042-230	40,500	15.70	13.00	CH33-50/60C	G60UHV-60C-110	3844898
XC17-042-230	40,000	15.70	12.70	CH33-50/60C	G61MPV-36C-090	3844899
XC17-042-230	40,000	16.00	13.00	CH33-50/60C	G61MPV-60C-090	3844900
XC17-042-230	40,000	15.70	13.00	CH33-50/60C	G61MPV-60C-091	3844901
XC17-042-230	40,500	16.00	13.20	CH33-50/60C	G61MPV-60C-110	3844902
XC17-042-230	40,500	16.00	13.00	CH33-50/60C	G61MPV-60C-111	3844903
XC17-042-230	40,000	15.70	12.70	CH33-50/60C	G71MPP-36C-090	3844904
XC17-042-230	40,000	16.00	13.00	CH33-50/60C	G71MPP-60C-090	3844905
XC17-042-230	40,500	16.00	13.20	CH33-50/60C	G71MPP-60C-110	3844906
XC17-042-230	40,000	14.70	12.20	CH33-50/60C		3844628
XC17-042-230	38,500	15.00	12.20	CR33-48	G60DFV-36B-090	3844789
XC17-042-230	39,000	15.70	12.70	CR33-48	G60DFV-60C-090	3844794
XC17-042-230	38,500	15.50	12.70	CR33-48	G60DFV-60C-110	3844795
XC17-042-230	38,000	14.50	12.00	CR33-48	G61MPV-36B-045	3844790
XC17-042-230	38,500	14.50	12.00	CR33-48	G61MPV-36B-070	3844791
XC17-042-230	38,000	14.50	12.00	CR33-48	G61MPV-36B-071	3844792
XC17-042-230	38,500	15.00	12.20	CR33-48	G61MPV-36C-090	3844796
XC17-042-230	38,500	15.20	12.50	CR33-48	G61MPV-60C-090	3844797
XC17-042-230	38,500	15.20	12.50	CR33-48	G61MPV-60C-091	3844798
XC17-042-230	38,500	15.20	12.50	CR33-48	G61MPV-60C-110	3844799
XC17-042-230	38,500	15.20	12.50	CR33-48	G61MPV-60C-111	3844800
XC17-042-230	38,500	15.20	12.50	CR33-48	G71MMPP-60C-090	3844802
XC17-042-230	38,500	14.50	12.00	CR33-48	G71MPP-36B-070	3844793
XC17-042-230	38,500	15.00	12.20	CR33-48	G71MPP-36C-090	3844801
XC17-042-230	38,500	15.20	12.50	CR33-48	G71MPP-60C-110	3844803
XC17-042-230	38,000	14.20	11.70	CR33-48		3844617
XC17-042-230	40,000	16.20	13.20	CR33-50/60	G60DFV-60C-090	3844804
XC17-042-230	40,000	16.20	13.20	CR33-50/60	G60DFV-60C-110	3844805
XC17-042-230	39,500	15.70	12.70	CR33-50/60	G61MPV-36C-090	3844806
XC17-042-230	40,000	16.00	13.00	CR33-50/60	G61MPV-60C-090	3844807
XC17-042-230	39,500	15.70	13.00	CR33-50/60	G61MPV-60C-091	3844808
XC17-042-230	40,000	16.00	13.20	CR33-50/60	G61MPV-60C-110	3844809
XC17-042-230	40,000	16.00	13.00	CR33-50/60	G61MPV-60C-111	3844810
XC17-042-230	39,500	15.70	12.70	CR33-50/60	G71MPP-36C-090	3844811
XC17-042-230	40,000	16.00	13.00	CR33-50/60	G71MPP-60C-090	3844813
XC17-042-230	40,000	16.00	13.20	CR33-50/60	G71MPP-60C-110	3844814
XC17-042-230	39,500	14.70	12.20	CR33-50/60		3844618
XC17-042-230	40,000	16.20	13.20	CR33-60	G61MPV-60D-135	3844815
XC17-042-230	40,000	16.20	13.20	CR33-60	G71MPP-60D-135	3844816

NOTES:

+ TXV = Matched with Thermostatic Expansion Valve.

Ratings are certified in accordance with USE certification program which is based on AHRI Standard 210/240; 95°F outdoor air temperature, 80°F db / 67°F wb entering evaporator air with 25 ft. of connecting refrigerant lines.

All ratings include the use of a blower time delay relay (TDR). All Lennox variable-speed furnaces and Air Handlers have time delay capabilities. Other Furnaces and Air Handlers may require an optional time delay relay (58M81) for field installation. See furnace or air handler specifications to determine if relay is needed.

Also see TXV Substitution Table.

AHRI SYSTEM MATCHES

NOTE - For the latest up-to-date system matches please visit the AHRI web site at <http://www.ahridirectory.org>

Model No.	Cooling Btuh	SEER	EER	Indoor Coil or Air Handler	Furnace	AHRI Reference
XC17-042-230	39,500	14.70	12.20	CR33-60		3844619
XC17-042-230	39,500	15.70	12.70	CX34-38	G60UHV-36B-090	3844629
XC17-042-230	39,000	14.70	12.20	CX34-38	G61MPV-36B-045	3844630
XC17-042-230	39,500	14.70	12.20	CX34-38	G61MPV-36B-070	3844631
XC17-042-230	39,000	15.00	12.20	CX34-38	G61MPV-36B-071	3844632
XC17-042-230	39,500	14.70	12.20	CX34-38	G71MPP-36B-070	3844633
XC17-042-230	39,000	14.50	12.00	CX34-38		3844601
XC17-042-230	38,000	15.00	12.20	CX34-42	G60UHV-36B-090	3844634
XC17-042-230	37,400	14.20	11.70	CX34-42	G61MPV-36B-045	3844635
XC17-042-230	37,800	14.20	11.70	CX34-42	G61MPV-36B-070	3844636
XC17-042-230	37,400	14.20	11.70	CX34-42	G61MPV-36B-071	3844637
XC17-042-230	37,800	14.20	11.70	CX34-42	G71MPP-36B-070	3844638
XC17-042-230	37,800	14.00	11.70	CX34-42		3844602
XC17-042-230	39,500	15.50	12.70	CX34-43	G60UHV-36B-090	3844639
XC17-042-230	39,500	16.20	13.20	CX34-43	G60UHV-60C-090	3844644
XC17-042-230	40,000	15.70	13.00	CX34-43	G60UHV-60C-110	3844645
XC17-042-230	39,000	14.70	12.20	CX34-43	G61MPV-36B-045	3844640
XC17-042-230	39,500	14.70	12.20	CX34-43	G61MPV-36B-070	3844641
XC17-042-230	39,000	15.00	12.20	CX34-43	G61MPV-36B-071	3844642
XC17-042-230	39,500	15.50	12.70	CX34-43	G61MPV-36C-090	3844646
XC17-042-230	39,500	15.70	13.00	CX34-43	G61MPV-60C-090	3844647
XC17-042-230	39,500	15.70	13.00	CX34-43	G61MPV-60C-091	3844648
XC17-042-230	40,000	16.00	13.20	CX34-43	G61MPV-60C-110	3844649
XC17-042-230	40,000	15.70	13.00	CX34-43	G61MPV-60C-111	3844650
XC17-042-230	39,500	14.70	12.20	CX34-43	G71MPP-36B-070	3844643
XC17-042-230	39,500	15.50	12.70	CX34-43	G71MPP-36C-090	3844651
XC17-042-230	39,500	15.70	13.00	CX34-43	G71MPP-60C-090	3844652
XC17-042-230	40,000	16.00	13.20	CX34-43	G71MPP-60C-110	3844653
XC17-042-230	39,500	14.70	12.20	CX34-43		3844603
XC17-042-230	39,000	15.50	12.50	CX34-44/48	G60UHV-36B-090	3844654
XC17-042-230	39,000	15.70	12.70	CX34-44/48	G60UHV-60C-090	3844659
XC17-042-230	39,500	15.50	12.70	CX34-44/48	G60UHV-60C-110	3844660
XC17-042-230	38,500	14.70	12.00	CX34-44/48	G61MPV-36B-045	3844655
XC17-042-230	39,000	14.70	12.20	CX34-44/48	G61MPV-36B-070	3844656
XC17-042-230	38,500	14.70	12.20	CX34-44/48	G61MPV-36B-071	3844658
XC17-042-230	39,000	15.20	12.50	CX34-44/48	G61MPV-36C-090	3844661
XC17-042-230	39,000	15.50	12.70	CX34-44/48	G61MPV-60C-090	3844662
XC17-042-230	39,000	15.50	12.70	CX34-44/48	G61MPV-60C-091	3844663
XC17-042-230	39,500	15.50	12.70	CX34-44/48	G61MPV-60C-110	3844664
XC17-042-230	39,000	15.50	12.70	CX34-44/48	G61MPV-60C-111	3844665
XC17-042-230	39,000	14.70	12.20	CX34-44/48	G71MPP-36B-070	3844657

NOTES:

+ TXV = Matched with Thermostatic Expansion Valve.

Ratings are certified in accordance with USE certification program which is based on AHRI Standard 210/240; 95°F outdoor air temperature, 80°F db / 67°F wb entering evaporator air with 25 ft. of connecting refrigerant lines.

All ratings include the use of a blower time delay relay (TDR). All Lennox variable-speed furnaces and Air Handlers have time delay capabilities. Other Furnaces and Air Handlers may require an optional time delay relay (58M81) for field installation. See furnace or air handler specifications to determine if relay is needed.

Also see TXV Substitution Table.

AHRI SYSTEM MATCHES

NOTE - For the latest up-to-date system matches please visit the AHRI web site at <http://www.ahridirectory.org>

Model No.	Cooling Btuh	SEER	EER	Indoor Coil or Air Handler	Furnace	AHRI Reference
XC17-042-230	39,000	15.20	12.50	CX34-44/48	G71MPP-36C-090	3844666
XC17-042-230	39,000	15.50	12.70	CX34-44/48	G71MPP-60C-090	3844667
XC17-042-230	39,500	15.50	12.70	CX34-44/48	G71MPP-60C-110	3844668
XC17-042-230	39,000	14.50	12.00	CX34-44/48		3844604
XC17-042-230	40,000	16.20	13.20	CX34-49	G60UHV-60C-090	3844669
XC17-042-230	40,500	16.00	13.00	CX34-49	G60UHV-60C-110	3844670
XC17-042-230	40,000	15.70	13.00	CX34-49	G61MPV-36C-090	3844671
XC17-042-230	40,000	16.00	13.00	CX34-49	G61MPV-60C-090	3844672
XC17-042-230	40,000	15.70	13.00	CX34-49	G61MPV-60C-091	3844673
XC17-042-230	40,500	16.00	13.20	CX34-49	G61MPV-60C-110	3844674
XC17-042-230	40,000	16.00	13.00	CX34-49	G61MPV-60C-111	3844675
XC17-042-230	40,000	15.70	13.00	CX34-49	G71MPP-36C-090	3844676
XC17-042-230	40,000	16.00	13.00	CX34-49	G71MPP-60C-090	3844677
XC17-042-230	40,500	16.00	13.20	CX34-49	G71MPP-60C-110	3844678
XC17-042-230	39,500	14.70	12.20	CX34-49		3844605
XC17-042-230	39,500	15.70	13.00	CX34-50/60C	G60UHV-60C-090	3844679
XC17-042-230	39,500	15.70	12.70	CX34-50/60C	G60UHV-60C-110	3844680
XC17-042-230	39,500	15.50	12.70	CX34-50/60C	G61MPV-36C-090	3844681
XC17-042-230	39,500	15.70	12.70	CX34-50/60C	G61MPV-60C-090	3844682
XC17-042-230	39,500	15.50	12.70	CX34-50/60C	G61MPV-60C-091	3844683
XC17-042-230	39,500	15.70	12.70	CX34-50/60C	G61MPV-60C-110	3844684
XC17-042-230	39,500	15.70	12.70	CX34-50/60C	G61MPV-60C-111	3844685
XC17-042-230	39,500	15.50	12.70	CX34-50/60C	G71MPP-36C-090	3844686
XC17-042-230	39,500	15.70	12.70	CX34-50/60C	G71MPP-60C-090	3844687
XC17-042-230	39,500	15.70	12.70	CX34-50/60C	G71MPP-60C-110	3844688
XC17-042-230	39,000	14.50	12.00	CX34-50/60C		3844606
XC17-042-230	40,000	16.50	13.50	CX34-60D	G60UHV-60D-135	3844689
XC17-042-230	40,000	16.20	13.20	CX34-60D	G61MPV-60D-135	3844690
XC17-042-230	40,000	16.20	13.20	CX34-60D	G71MPP-60D-135	3844691
XC17-042-230	39,500	14.70	12.20	CX34-60D		3844607
XC17-042-230	41,000	16.70	13.70	CX34-62C	G60UHV-60C-090	3844692
XC17-042-230	41,000	16.20	13.20	CX34-62C	G60UHV-60C-110	3844693
XC17-042-230	41,000	16.00	13.20	CX34-62C	G61MPV-36C-090	3844694
XC17-042-230	41,000	16.20	13.50	CX34-62C	G61MPV-60C-090	3844695
XC17-042-230	40,500	16.20	13.20	CX34-62C	G61MPV-60C-091	3844696
XC17-042-230	41,000	16.50	13.50	CX34-62C	G61MPV-60C-110	3844697
XC17-042-230	41,000	16.20	13.50	CX34-62C	G61MPV-60C-111	3844698
XC17-042-230	41,000	16.00	13.20	CX34-62C	G71MPP-36C-090	3844699
XC17-042-230	41,000	16.20	13.50	CX34-62C	G71MPP-60C-090	3844700
XC17-042-230	41,000	16.50	13.50	CX34-62C	G71MPP-60C-110	3844701
XC17-042-230	40,500	15.00	12.50	CX34-62C		3844608

NOTES:

+ TXV = Matched with Thermostatic Expansion Valve.

Ratings are certified in accordance with USE certification program which is based on AHRI Standard 210/240; 95°F outdoor air temperature, 80°F db / 67°F wb entering evaporator air with 25 ft. of connecting refrigerant lines.

All ratings include the use of a blower time delay relay (TDR). All Lennox variable-speed furnaces and Air Handlers have time delay capabilities. Other Furnaces and Air Handlers may require an optional time delay relay (58M81) for field installation. See furnace or air handler specifications to determine if relay is needed.

Also see TXV Substitution Table.

AHRI SYSTEM MATCHES

NOTE - For the latest up-to-date system matches please visit the AHRI web site at <http://www.ahridirectory.org>

Model No.	Cooling Btuh	SEER	EER	Indoor Coil or Air Handler	Furnace	AHRI Reference
XC17-042-230	40,500	16.50	13.50	CX34-62D	G60UHV-60D-135	3844702
XC17-042-230	40,500	16.50	13.50	CX34-62D	G61MPV-60D-135	3844703
XC17-048-230	47,000	15.00	12.20	C33-48	G60UHV-60C-090	3844978
XC17-048-230	47,000	15.00	12.50	C33-48	G60UHV-60C-110	3844979
XC17-048-230	47,000	14.70	12.20	C33-48	G61MPV-60C-090	3844980
XC17-048-230	47,000	14.50	12.00	C33-48	G61MPV-60C-091	3844982
XC17-048-230	47,000	14.70	12.20	C33-48	G61MPV-60C-110	3844983
XC17-048-230	47,000	14.70	12.20	C33-48	G61MPV-60C-111	3844985
XC17-048-230	47,000	14.70	12.20	C33-48	G71MPP-60C-090	3844981
XC17-048-230	47,000	14.70	12.20	C33-48	G71MPP-60C-110	3844984
XC17-048-230	46,500	14.20	11.70	C33-48		3844925
XC17-048-230	48,000	15.50	13.00	C33-49	G60UHV-60C-090	3844986
XC17-048-230	48,000	15.50	12.70	C33-49	G60UHV-60C-110	3844987
XC17-048-230	48,000	15.20	12.50	C33-49	G61MPV-60C-090	3844988
XC17-048-230	48,000	15.00	12.50	C33-49	G61MPV-60C-091	3844990
XC17-048-230	48,000	15.20	12.50	C33-49	G61MPV-60C-110	3844991
XC17-048-230	48,000	15.20	12.50	C33-49	G61MPV-60C-111	3844993
XC17-048-230	48,000	15.20	12.50	C33-49	G71MPP-60C-090	3844989
XC17-048-230	48,000	15.20	12.50	C33-49	G71MPP-60C-110	3844992
XC17-048-230	48,000	14.70	12.20	C33-49		3844926
XC17-048-230	47,500	15.20	12.50	C33-50/60C	G60UHV-60C-090	3844994
XC17-048-230	47,500	15.00	12.50	C33-50/60C	G60UHV-60C-110	3844995
XC17-048-230	47,500	15.00	12.20	C33-50/60C	G61MPV-60C-090	3844996
XC17-048-230	47,500	14.70	12.20	C33-50/60C	G61MPV-60C-091	3844998
XC17-048-230	47,500	15.00	12.50	C33-50/60C	G61MPV-60C-110	3844999
XC17-048-230	47,500	15.00	12.20	C33-50/60C	G61MPV-60C-111	3845001
XC17-048-230	47,500	15.00	12.20	C33-50/60C	G71MPP-60C-090	3844997
XC17-048-230	47,500	15.00	12.50	C33-50/60C	G71MPP-60C-110	3845000
XC17-048-230	47,000	14.50	12.00	C33-50/60C		3844927
XC17-048-230	48,500	15.50	12.70	C33-60D	G60UHV-60D-135	3845002
XC17-048-230	48,000	15.50	12.70	C33-60D	G61MPV-60D-135	3845003
XC17-048-230	48,000	15.50	12.70	C33-60D	G71MPP-60D-135	3845004
XC17-048-230	47,500	14.70	12.00	C33-60D		3844928
XC17-048-230	49,500	16.00	13.00	C33-62C	G60UHV-60C-090	3845005
XC17-048-230	49,500	15.70	13.00	C33-62C	G60UHV-60C-110	3845006
XC17-048-230	49,500	15.70	13.00	C33-62C	G61MPV-60C-090	3845007
XC17-048-230	49,000	15.20	12.70	C33-62C	G61MPV-60C-091	3845009
XC17-048-230	49,500	15.70	13.00	C33-62C	G61MPV-60C-110	3845010
XC17-048-230	49,500	15.70	13.00	C33-62C	G61MPV-60C-111	3845012
XC17-048-230	49,500	15.70	13.00	C33-62C	G71MPP-60C-090	3845008
XC17-048-230	49,500	15.70	13.00	C33-62C	G71MPP-60C-110	3845011

NOTES:

+ TXV = Matched with Thermostatic Expansion Valve.

Ratings are certified in accordance with USE certification program which is based on AHRI Standard 210/240; 95°F outdoor air temperature, 80°F db / 67°F wb entering evaporator air with 25 ft. of connecting refrigerant lines.

All ratings include the use of a blower time delay relay (TDR). All Lennox variable-speed furnaces and Air Handlers have time delay capabilities. Other Furnaces and Air Handlers may require an optional time delay relay (58M81) for field installation. See furnace or air handler specifications to determine if relay is needed.

Also see TXV Substitution Table.

AHRI SYSTEM MATCHES

NOTE - For the latest up-to-date system matches please visit the AHRI web site at <http://www.ahridirectory.org>

Model No.	Cooling Btuh	SEER	EER	Indoor Coil or Air Handler	Furnace	AHRI Reference
XC17-048-230	49,000	15.70	13.00	C33-62D	G60UHV-60D-135	3845013
XC17-048-230	48,500	15.70	13.00	C33-62D	G61MPV-60D-135	3845014
XC17-048-230	48,500	15.70	13.00	C33-62D	G71MPP-60D-135	3845015
XC17-048-230	48,500	14.70	12.20	C33-62D		3844929
XC17-048-230	48,000	15.50	12.70	CBX27UH-048-230		3845100
XC17-048-230	48,000	15.50	12.70	CBX27UH-060-230		3845101
XC17-048-230	48,000	15.20	12.50	CBX32M-048		3845098
XC17-048-230	48,000	15.00	12.50	CBX32M-060		3845099
XC17-048-230	48,000	15.50	13.00	CBX32MV-048		3845102
XC17-048-230	48,000	15.70	13.00	CBX32MV-060		3845103
XC17-048-230	48,000	16.00	13.00	CBX32MV-068		3845104
XC17-048-230	48,000	15.70	13.00	CBX40UHV-048		3845105
XC17-048-230	48,000	15.70	13.00	CBX40UHV-060		3845106
XC17-048-230	46,000	15.00	12.50	CH23-51	G60UHV-60C-090	3845035
XC17-048-230	46,500	15.00	12.20	CH23-51	G60UHV-60C-110	3845036
XC17-048-230	46,500	15.00	12.50	CH23-51	G60UHV-60D-135	3845043
XC17-048-230	46,500	14.70	12.20	CH23-51	G61MPV-60C-090	3845037
XC17-048-230	46,500	14.50	12.00	CH23-51	G61MPV-60C-091	3845039
XC17-048-230	46,500	14.70	12.20	CH23-51	G61MPV-60C-110	3845040
XC17-048-230	46,500	14.70	12.20	CH23-51	G61MPV-60C-111	3845042
XC17-048-230	46,500	15.00	12.50	CH23-51	G61MPV-60D-135	3845044
XC17-048-230	46,500	14.70	12.20	CH23-51	G71MPP-60C-090	3845038
XC17-048-230	46,500	14.70	12.20	CH23-51	G71MPP-60C-110	3845041
XC17-048-230	46,500	15.00	12.50	CH23-51	G71MPP-60D-135	3845045
XC17-048-230	46,000	14.00	11.70	CH23-51		3844932
XC17-048-230	47,500	15.20	12.70	CH23-65	G60UHV-60C-090	3845046
XC17-048-230	47,000	15.20	12.50	CH23-65	G60UHV-60C-110	3845047
XC17-048-230	47,000	15.20	12.50	CH23-65	G60UHV-60D-135	3845054
XC17-048-230	47,000	15.00	12.50	CH23-65	G61MPV-60C-090	3845048
XC17-048-230	47,000	14.70	12.20	CH23-65	G61MPV-60C-091	3845050
XC17-048-230	47,000	15.20	12.50	CH23-65	G61MPV-60C-110	3845051
XC17-048-230	47,000	15.00	12.50	CH23-65	G61MPV-60C-111	3845053
XC17-048-230	47,000	15.50	12.70	CH23-65	G61MPV-60D-135	3845055
XC17-048-230	47,000	15.00	12.50	CH23-65	G71MPP-60C-090	3845049
XC17-048-230	47,000	15.20	12.50	CH23-65	G71MPP-60C-110	3845052
XC17-048-230	47,000	15.50	12.70	CH23-65	G71MPP-60D-135	3845056
XC17-048-230	46,500	14.20	11.70	CH23-65		3844933
XC17-048-230	49,000	16.00	13.00	CH23-68	G60UHV-60C-090	3845057
XC17-048-230	49,000	15.70	13.00	CH23-68	G60UHV-60C-110	3845058
XC17-048-230	49,000	16.00	13.20	CH23-68	G60UHV-60D-135	3845065
XC17-048-230	49,000	15.70	13.00	CH23-68	G61MPV-60C-090	3845059

NOTES:

+ TXV = Matched with Thermostatic Expansion Valve.

Ratings are certified in accordance with USE certification program which is based on AHRI Standard 210/240; 95°F outdoor air temperature, 80°F db / 67°F wb entering evaporator air with 25 ft. of connecting refrigerant lines.

All ratings include the use of a blower time delay relay (TDR). All Lennox variable-speed furnaces and Air Handlers have time delay capabilities. Other Furnaces and Air Handlers may require an optional time delay relay (58M81) for field installation. See furnace or air handler specifications to determine if relay is needed.

Also see TXV Substitution Table.

AHRI SYSTEM MATCHES

NOTE - For the latest up-to-date system matches please visit the AHRI web site at <http://www.ahridirectory.org>

Model No.	Cooling Btuh	SEER	EER	Indoor Coil or Air Handler	Furnace	AHRI Reference
XC17-048-230	49,000	15.20	12.70	CH23-68	G61MPV-60C-091	3845061
XC17-048-230	49,000	15.70	13.00	CH23-68	G61MPV-60C-110	3845062
XC17-048-230	49,000	15.70	13.00	CH23-68	G61MPV-60C-111	3845064
XC17-048-230	49,000	16.00	13.20	CH23-68	G61MPV-60D-135	3845066
XC17-048-230	49,000	15.70	13.00	CH23-68	G71MPP-60C-090	3845060
XC17-048-230	49,000	15.70	13.00	CH23-68	G71MPP-60C-110	3845063
XC17-048-230	49,000	16.00	13.20	CH23-68	G71MPP-60D-135	3845067
XC17-048-230	48,500	14.70	12.20	CH23-68		3844934
XC17-048-230	48,000	15.20	12.50	CH33-48	G60UHV-60C-090	3845068
XC17-048-230	47,500	15.20	12.50	CH33-48	G60UHV-60C-110	3845069
XC17-048-230	47,500	15.00	12.20	CH33-48	G61MPV-60C-090	3845070
XC17-048-230	47,500	14.70	12.20	CH33-48	G61MPV-60C-091	3845072
XC17-048-230	47,500	15.00	12.50	CH33-48	G61MPV-60C-110	3845073
XC17-048-230	47,500	15.00	12.20	CH33-48	G61MPV-60C-111	3845075
XC17-048-230	47,500	15.00	12.20	CH33-48	G71MPP-60C-090	3845071
XC17-048-230	47,500	15.00	12.50	CH33-48	G71MPP-60C-110	3845074
XC17-048-230	47,500	14.50	12.00	CH33-48		3844935
XC17-048-230	49,000	15.50	12.70	CH33-49	G60UHV-60C-090	3845076
XC17-048-230	48,500	15.50	12.70	CH33-49	G60UHV-60C-110	3845077
XC17-048-230	48,500	15.20	12.70	CH33-49	G61MPV-60C-090	3845078
XC17-048-230	48,500	15.00	12.50	CH33-49	G61MPV-60C-091	3845080
XC17-048-230	48,500	15.20	12.70	CH33-49	G61MPV-60C-110	3845081
XC17-048-230	48,500	15.20	12.70	CH33-49	G61MPV-60C-111	3845083
XC17-048-230	48,500	15.20	12.70	CH33-49	G71MPP-60C-090	3845079
XC17-048-230	48,500	15.20	12.70	CH33-49	G71MPP-60C-110	3845082
XC17-048-230	48,000	14.70	12.20	CH33-49		3844936
XC17-048-230	48,000	15.50	12.70	CH33-50/60C	G60UHV-60C-090	3845084
XC17-048-230	48,000	15.20	12.70	CH33-50/60C	G60UHV-60C-110	3845085
XC17-048-230	48,000	15.20	12.50	CH33-50/60C	G61MPV-60C-090	3845086
XC17-048-230	48,000	15.00	12.20	CH33-50/60C	G61MPV-60C-091	3845088
XC17-048-230	48,000	15.20	12.50	CH33-50/60C	G61MPV-60C-110	3845089
XC17-048-230	48,500	15.20	12.50	CH33-50/60C	G61MPV-60C-111	3845091
XC17-048-230	48,000	15.20	12.50	CH33-50/60C	G71MPP-60C-090	3845087
XC17-048-230	48,000	15.20	12.50	CH33-50/60C	G71MPP-60C-110	3845090
XC17-048-230	48,000	14.70	12.20	CH33-50/60C		3844937
XC17-048-230	48,000	15.50	12.70	CH33-60D	G60UHV-60D-135	3845092
XC17-048-230	48,000	15.50	12.70	CH33-60D	G61MPV-60D-135	3845093
XC17-048-230	48,000	15.50	12.70	CH33-60D	G71MPP-60D-135	3845094
XC17-048-230	47,500	14.70	12.00	CH33-60D		3844938
XC17-048-230	48,500	15.50	13.00	CH33-62D	G60UHV-60D-135	3845095
XC17-048-230	48,500	15.50	12.70	CH33-62D	G61MPV-60D-135	3845096

NOTES:

+ TXV = Matched with Thermostatic Expansion Valve.

Ratings are certified in accordance with USE certification program which is based on AHRI Standard 210/240; 95°F outdoor air temperature, 80°F db / 67°F wb entering evaporator air with 25 ft. of connecting refrigerant lines.

All ratings include the use of a blower time delay relay (TDR). All Lennox variable-speed furnaces and Air Handlers have time delay capabilities. Other Furnaces and Air Handlers may require an optional time delay relay (58M81) for field installation. See furnace or air handler specifications to determine if relay is needed.

Also see TXV Substitution Table.

AHRI SYSTEM MATCHES

NOTE - For the latest up-to-date system matches please visit the AHRI web site at <http://www.ahridirectory.org>

Model No.	Cooling Btuh	SEER	EER	Indoor Coil or Air Handler	Furnace	AHRI Reference
XC17-048-230	48,500	15.50	12.70	CH33-62D	G71MPP-60D-135	3845097
XC17-048-230	48,000	14.70	12.20	CH33-62D		3844939
XC17-048-230	46,000	14.70	12.20	CR33-48	G60DFV-60C-090	3845016
XC17-048-230	46,000	14.70	12.20	CR33-48	G60DFV-60C-110	3845017
XC17-048-230	46,000	14.50	12.00	CR33-48	G61MPV-60C-090	3845018
XC17-048-230	46,000	14.20	11.70	CR33-48	G61MPV-60C-091	3845019
XC17-048-230	46,000	14.50	12.00	CR33-48	G61MPV-60C-110	3845021
XC17-048-230	46,000	14.50	12.00	CR33-48	G61MPV-60C-111	3845022
XC17-048-230	46,000	14.50	12.00	CR33-48	G71MPP-60C-090	3845020
XC17-048-230	46,000	14.50	12.00	CR33-48	G71MPP-60C-110	3845023
XC17-048-230	47,500	15.50	12.70	CR33-50/60	G60DFV-60C-090	3845024
XC17-048-230	48,000	15.20	12.70	CR33-50/60	G60DFV-60C-110	3845025
XC17-048-230	47,500	15.00	12.50	CR33-50/60	G61MPV-60C-090	3845026
XC17-048-230	47,500	14.70	12.20	CR33-50/60	G61MPV-60C-091	3845028
XC17-048-230	47,500	15.20	12.50	CR33-50/60	G61MPV-60C-110	3845029
XC17-048-230	47,500	15.20	12.50	CR33-50/60	G61MPV-60C-111	3845031
XC17-048-230	47,500	15.00	12.50	CR33-50/60	G71MPP-60C-090	3845027
XC17-048-230	47,500	15.20	12.50	CR33-50/60	G71MPP-60C-110	3845030
XC17-048-230	47,000	14.50	12.00	CR33-50/60		3844930
XC17-048-230	48,000	15.50	12.70	CR33-60	G60DFV-60D-135	3845032
XC17-048-230	47,500	15.50	12.70	CR33-60	G61MPV-60D-135	3845033
XC17-048-230	47,500	15.50	12.70	CR33-60	G71MPP-60D-135	3845034
XC17-048-230	47,000	14.50	12.00	CR33-60		3844931
XC17-048-230	47,000	15.00	12.20	CX34-44/48	G60UHV-60C-090	3844940
XC17-048-230	47,000	15.00	12.50	CX34-44/48	G60UHV-60C-110	3844941
XC17-048-230	47,000	14.70	12.20	CX34-44/48	G61MPV-60C-090	3844942
XC17-048-230	47,000	14.50	12.00	CX34-44/48	G61MPV-60C-091	3844944
XC17-048-230	47,000	14.70	12.20	CX34-44/48	G61MPV-60C-110	3844945
XC17-048-230	47,000	14.70	12.20	CX34-44/48	G61MPV-60C-111	3844947
XC17-048-230	47,000	14.70	12.20	CX34-44/48	G71MPP-60C-090	3844943
XC17-048-230	47,000	14.70	12.20	CX34-44/48	G71MPP-60C-110	3844946
XC17-048-230	46,500	14.20	11.70	CX34-44/48		3844919
XC17-048-230	48,000	15.50	13.00	CX34-49	G60UHV-60C-090	3844948
XC17-048-230	48,000	15.50	12.70	CX34-49	G60UHV-60C-110	3844949
XC17-048-230	48,000	15.20	12.50	CX34-49	G61MPV-60C-090	3844950
XC17-048-230	48,000	15.00	12.50	CX34-49	G61MPV-60C-091	3844952
XC17-048-230	48,000	15.20	12.50	CX34-49	G61MPV-60C-110	3844953
XC17-048-230	48,000	15.20	12.50	CX34-49	G61MPV-60C-111	3844955
XC17-048-230	48,000	15.20	12.50	CX34-49	G71MPP-60C-090	3844951
XC17-048-230	48,000	15.20	12.50	CX34-49	G71MPP-60C-110	3844954
XC17-048-230	48,000	14.70	12.20	CX34-49		3844920

NOTES:

+ TXV = Matched with Thermostatic Expansion Valve.

Ratings are certified in accordance with USE certification program which is based on AHRI Standard 210/240; 95°F outdoor air temperature, 80°F db / 67°F wb entering evaporator air with 25 ft. of connecting refrigerant lines.

All ratings include the use of a blower time delay relay (TDR). All Lennox variable-speed furnaces and Air Handlers have time delay capabilities. Other Furnaces and Air Handlers may require an optional time delay relay (58M81) for field installation. See furnace or air handler specifications to determine if relay is needed.

Also see TXV Substitution Table.

AHRI SYSTEM MATCHES

NOTE - For the latest up-to-date system matches please visit the AHRI web site at <http://www.ahridirectory.org>

Model No.	Cooling Btuh	SEER	EER	Indoor Coil or Air Handler	Furnace	AHRI Reference
XC17-048-230	47,500	15.20	12.50	CX34-50/60C	G60UHV-60C-090	3844956
XC17-048-230	47,500	15.00	12.50	CX34-50/60C	G60UHV-60C-110	3844957
XC17-048-230	47,500	15.00	12.20	CX34-50/60C	G61MPV-60C-090	3844958
XC17-048-230	47,500	14.70	12.20	CX34-50/60C	G61MPV-60C-091	3844960
XC17-048-230	47,500	15.00	12.50	CX34-50/60C	G61MPV-60C-110	3844961
XC17-048-230	47,500	15.00	12.20	CX34-50/60C	G61MPV-60C-111	3844963
XC17-048-230	47,500	15.00	12.20	CX34-50/60C	G71MPP-60C-090	3844959
XC17-048-230	47,500	15.00	12.50	CX34-50/60C	G71MPP-60C-110	3844962
XC17-048-230	47,000	14.50	12.00	CX34-50/60C		3844921
XC17-048-230	48,500	15.50	12.70	CX34-60D	G60UHV-60D-135	3844964
XC17-048-230	48,000	15.50	12.70	CX34-60D	G61MPV-60D-135	3844965
XC17-048-230	48,000	15.50	12.70	CX34-60D	G71MPP-60D-135	3844966
XC17-048-230	47,500	14.70	12.00	CX34-60D		3844922
XC17-048-230	49,500	16.00	13.00	CX34-62C	G60UHV-60C-090	3844967
XC17-048-230	49,500	15.70	13.00	CX34-62C	G60UHV-60C-110	3844968
XC17-048-230	49,500	15.70	13.00	CX34-62C	G61MPV-60C-090	3844969
XC17-048-230	49,000	15.20	12.70	CX34-62C	G61MPV-60C-091	3844971
XC17-048-230	49,500	15.70	13.00	CX34-62C	G61MPV-60C-110	3844972
XC17-048-230	49,500	15.70	13.00	CX34-62C	G61MPV-60C-111	3844974
XC17-048-230	49,500	15.70	13.00	CX34-62C	G71MPP-60C-090	3844970
XC17-048-230	49,500	15.70	13.00	CX34-62C	G71MPP-60C-110	3844973
XC17-048-230	49,000	15.00	12.50	CX34-62C		3844923
XC17-048-230	49,000	15.70	13.00	CX34-62D	G60UHV-60D-135	3844975
XC17-048-230	48,500	15.70	13.00	CX34-62D	G61MPV-60D-135	3844976
XC17-048-230	48,500	15.70	13.00	CX34-62D	G71MPP-60D-135	3844977
XC17-048-230	48,500	14.70	12.20	CX34-62D		3844924
XC17-060-230	57,500	14.70	12.50	C33-49	G60UHV-60C-090	3845143
XC17-060-230	57,500	14.70	12.20	C33-49	G60UHV-60C-110	3845144
XC17-060-230	57,000	14.50	12.00	C33-49	G61MPV-60C-090	3845145
XC17-060-230	56,500	14.50	12.00	C33-49	G61MPV-60C-091	3845147
XC17-060-230	57,500	14.50	12.20	C33-49	G61MPV-60C-110	3845148
XC17-060-230	57,500	14.50	12.20	C33-49	G61MPV-60C-111	3845150
XC17-060-230	57,000	14.50	12.00	C33-49	G71MPP-60C-090	3845146
XC17-060-230	57,500	14.50	12.20	C33-49	G71MPP-60C-110	3845149
XC17-060-230	57,500	14.20	12.00	C33-49		3845111
XC17-060-230	57,500	14.70	12.20	C33-60D	G60UHV-60D-135	3845151
XC17-060-230	57,500	14.70	12.20	C33-60D	G61MPV-60D-135	3845152
XC17-060-230	57,500	14.70	12.20	C33-60D	G71MPP-60D-135	3845153
XC17-060-230	57,000	14.20	12.00	C33-60D		3845112
XC17-060-230	59,000	15.00	12.50	C33-62C	G60UHV-60C-090	3845154
XC17-060-230	58,500	15.00	12.50	C33-62C	G60UHV-60C-110	3845155

NOTES:

+ TXV = Matched with Thermostatic Expansion Valve.

Ratings are certified in accordance with USE certification program which is based on AHRI Standard 210/240; 95°F outdoor air temperature, 80°F db / 67°F wb entering evaporator air with 25 ft. of connecting refrigerant lines.

All ratings include the use of a blower time delay relay (TDR). All Lennox variable-speed furnaces and Air Handlers have time delay capabilities. Other Furnaces and Air Handlers may require an optional time delay relay (58M81) for field installation. See furnace or air handler specifications to determine if relay is needed.

Also see TXV Substitution Table.

AHRI SYSTEM MATCHES

NOTE - For the latest up-to-date system matches please visit the AHRI web site at <http://www.ahridirectory.org>

Model No.	Cooling Btuh	SEER	EER	Indoor Coil or Air Handler	Furnace	AHRI Reference
XC17-060-230	58,500	14.70	12.20	C33-62C	G61MPV-60C-090	3845156
XC17-060-230	58,000	14.70	12.20	C33-62C	G61MPV-60C-091	3845158
XC17-060-230	58,500	15.00	12.20	C33-62C	G61MPV-60C-110	3845159
XC17-060-230	58,500	14.70	12.20	C33-62C	G61MPV-60C-111	3845161
XC17-060-230	58,500	14.70	12.20	C33-62C	G71MPP-60C-090	3845157
XC17-060-230	58,500	15.00	12.20	C33-62C	G71MPP-60C-110	3845160
XC17-060-230	58,500	14.70	12.20	C33-62C		3845113
XC17-060-230	59,000	15.20	12.50	C33-62D	G60UHV-60D-135	3845162
XC17-060-230	58,000	15.00	12.50	C33-62D	G61MPV-60D-135	3845163
XC17-060-230	58,000	15.00	12.50	C33-62D	G71MPP-60D-135	3845164
XC17-060-230	58,500	14.50	12.20	C33-62D		3845114
XC17-060-230	57,000	14.70	12.20	CBX27UH-060-230		3845205
XC17-060-230	57,000	14.50	12.20	CBX32M-048		3845203
XC17-060-230	57,000	14.70	12.20	CBX32M-060		3845204
XC17-060-230	57,000	14.70	12.20	CBX32MV-048		3845206
XC17-060-230	57,500	14.70	12.50	CBX32MV-060		3845207
XC17-060-230	57,000	15.00	12.50	CBX32MV-068		3845208
XC17-060-230	57,000	14.70	12.20	CBX40UHV-048		3845209
XC17-060-230	57,500	15.00	12.50	CBX40UHV-060		3845210
XC17-060-230	56,000	14.50	12.20	CH23-65	G60UHV-60C-090	3845175
XC17-060-230	55,500	14.50	12.00	CH23-65	G60UHV-60C-110	3845176
XC17-060-230	56,000	14.50	12.00	CH23-65	G60UHV-60D-135	3845183
XC17-060-230	55,500	14.20	12.00	CH23-65	G61MPV-60C-090	3845177
XC17-060-230	55,000	14.20	12.00	CH23-65	G61MPV-60C-091	3845179
XC17-060-230	55,500	14.20	12.00	CH23-65	G61MPV-60C-110	3845180
XC17-060-230	55,500	14.20	12.00	CH23-65	G61MPV-60C-111	3845182
XC17-060-230	56,000	14.50	12.00	CH23-65	G61MPV-60D-135	3845184
XC17-060-230	55,500	14.20	12.00	CH23-65	G71MPP-60C-090	3845178
XC17-060-230	55,500	14.20	12.00	CH23-65	G71MPP-60C-110	3845181
XC17-060-230	56,000	14.50	12.00	CH23-65	G71MPP-60D-135	3845185
XC17-060-230	55,500	14.00	11.70	CH23-65		3845119
XC17-060-230	58,500	15.00	12.50	CH23-68	G60UHV-60C-090	3845186
XC17-060-230	58,500	15.00	12.50	CH23-68	G60UHV-60C-110	3845187
XC17-060-230	58,000	15.00	12.50	CH23-68	G60UHV-60D-135	3845194
XC17-060-230	58,000	14.70	12.20	CH23-68	G61MPV-60C-090	3845188
XC17-060-230	57,500	14.70	12.20	CH23-68	G61MPV-60C-091	3845190
XC17-060-230	58,000	15.00	12.20	CH23-68	G61MPV-60C-110	3845191
XC17-060-230	58,000	14.70	12.20	CH23-68	G61MPV-60C-111	3845193
XC17-060-230	58,500	15.00	12.50	CH23-68	G61MPV-60D-135	3845195
XC17-060-230	58,000	14.70	12.20	CH23-68	G71MPP-60C-090	3845189
XC17-060-230	58,000	15.00	12.20	CH23-68	G71MPP-60C-110	3845192

NOTES:

+ TXV = Matched with Thermostatic Expansion Valve.

Ratings are certified in accordance with USE certification program which is based on AHRI Standard 210/240; 95°F outdoor air temperature, 80°F db / 67°F wb entering evaporator air with 25 ft. of connecting refrigerant lines.

All ratings include the use of a blower time delay relay (TDR). All Lennox variable-speed furnaces and Air Handlers have time delay capabilities. Other Furnaces and Air Handlers may require an optional time delay relay (58M81) for field installation. See furnace or air handler specifications to determine if relay is needed.

Also see TXV Substitution Table.

AHRI SYSTEM MATCHES

NOTE - For the latest up-to-date system matches please visit the AHRI web site at <http://www.ahridirectory.org>

Model No.	Cooling Btuh	SEER	EER	Indoor Coil or Air Handler	Furnace	AHRI Reference
XC17-060-230	58,500	15.00	12.50	CH23-68	G71MPP-60D-135	3845196
XC17-060-230	58,000	14.50	12.20	CH23-68		3845120
XC17-060-230	57,000	15.20	12.50	CH33-60D	G60UHV-60D-135	3845197
XC17-060-230	57,000	15.00	12.20	CH33-60D	G61MPV-60D-135	3845198
XC17-060-230	57,000	15.00	12.20	CH33-60D	G71MPP-60D-135	3845199
XC17-060-230	57,000	14.20	12.00	CH33-60D		3845117
XC17-060-230	57,500	15.20	12.20	CH33-62D	G60UHV-60D-135	3845200
XC17-060-230	57,500	15.00	12.50	CH33-62D	G61MPV-60D-135	3845201
XC17-060-230	57,500	15.00	12.50	CH33-62D	G71MPP-60D-135	3845202
XC17-060-230	57,000	14.20	12.00	CH33-62D		3845118
XC17-060-230	56,500	14.50	12.20	CR33-50/60	G60DFV-60C-090	3845165
XC17-060-230	56,500	14.70	12.20	CR33-50/60	G60DFV-60C-110	3845166
XC17-060-230	56,000	14.20	12.00	CR33-50/60	G61MPV-60C-090	3845167
XC17-060-230	55,500	14.20	11.70	CR33-50/60	G61MPV-60C-091	3845169
XC17-060-230	56,500	14.20	11.70	CR33-50/60	G61MPV-60C-110	3845170
XC17-060-230	56,000	14.20	12.00	CR33-50/60	G61MPV-60C-111	3845171
XC17-060-230	56,000	14.20	12.00	CR33-50/60	G71MPP-60C-090	3845168
XC17-060-230	56,000	14.20	12.00	CR33-50/60		3845115
XC17-060-230	56,500	14.70	12.20	CR33-60	G60DFV-60D-135	3845172
XC17-060-230	56,500	14.50	12.20	CR33-60	G61MPV-60D-135	3845173
XC17-060-230	56,500	14.50	12.20	CR33-60	G71MPP-60D-135	3845174
XC17-060-230	56,000	14.20	12.00	CR33-60		3845116
XC17-060-230	57,500	14.70	12.50	CX34-49	G60UHV-60C-090	3845121
XC17-060-230	57,500	14.70	12.20	CX34-49	G60UHV-60C-110	3845122
XC17-060-230	57,000	14.50	12.00	CX34-49	G61MPV-60C-090	3845123
XC17-060-230	56,500	14.50	12.00	CX34-49	G61MPV-60C-091	3845125
XC17-060-230	57,500	14.50	12.20	CX34-49	G61MPV-60C-110	3845126
XC17-060-230	57,500	14.50	12.20	CX34-49	G61MPV-60C-111	3845128
XC17-060-230	57,000	14.50	12.00	CX34-49	G71MPP-60C-090	3845124
XC17-060-230	57,500	14.50	12.20	CX34-49	G71MPP-60C-110	3845127
XC17-060-230	57,500	14.20	12.00	CX34-49		3845107
XC17-060-230	57,500	14.70	12.20	CX34-60D	G60UHV-60D-135	3845129
XC17-060-230	57,500	14.70	12.20	CX34-60D	G61MPV-60D-135	3845130
XC17-060-230	57,500	14.70	12.20	CX34-60D	G71MPP-60D-135	3845131
XC17-060-230	57,000	14.20	12.00	CX34-60D		3845108
XC17-060-230	59,000	15.00	12.50	CX34-62C	G60UHV-60C-090	3845132
XC17-060-230	58,500	15.00	12.50	CX34-62C	G60UHV-60C-110	3845133
XC17-060-230	58,500	14.70	12.20	CX34-62C	G61MPV-60C-090	3845134
XC17-060-230	58,000	14.70	12.20	CX34-62C	G61MPV-60C-091	3845136
XC17-060-230	58,500	15.00	12.20	CX34-62C	G61MPV-60C-110	3845137
XC17-060-230	58,500	14.70	12.20	CX34-62C	G61MPV-60C-111	3845139

NOTES:

+ TXV = Matched with Thermostatic Expansion Valve.

Ratings are certified in accordance with USE certification program which is based on AHRI Standard 210/240; 95°F outdoor air temperature, 80°F db / 67°F wb entering evaporator air with 25 ft. of connecting refrigerant lines.

All ratings include the use of a blower time delay relay (TDR). All Lennox variable-speed furnaces and Air Handlers have time delay capabilities. Other Furnaces and Air Handlers may require an optional time delay relay (58M81) for field installation. See furnace or air handler specifications to determine if relay is needed.

Also see TXV Substitution Table.

AHRI SYSTEM MATCHES

NOTE - For the latest up-to-date system matches please visit the AHRI web site at <http://www.ahridirectory.org>

Model No.	Cooling Btuh	SEER	EER	Indoor Coil or Air Handler	Furnace	AHRI Reference
XC17-060-230	58,500	14.70	12.20	CX34-62C	G71MPP-60C-090	3845135
XC17-060-230	58,500	15.00	12.20	CX34-62C	G71MPP-60C-110	3845138
XC17-060-230	58,500	14.70	12.20	CX34-62C		3845109
XC17-060-230	59,000	15.20	12.50	CX34-62D	G60UHV-60D-135	3845140
XC17-060-230	58,000	15.00	12.50	CX34-62D	G61MPV-60D-135	3845141
XC17-060-230	58,000	15.00	12.50	CX34-62D	G71MPP-60D-135	3845142
XC17-060-230	58,500	14.50	12.20	CX34-62D		3845110

NOTES:

+ TXV = Matched with Thermostatic Expansion Valve.

Ratings are certified in accordance with USE certification program which is based on AHRI Standard 210/240; 95°F outdoor air temperature, 80°F db / 67°F wb entering evaporator air with 25 ft. of connecting refrigerant lines.

All ratings include the use of a blower time delay relay (TDR). All Lennox variable-speed furnaces and Air Handlers have time delay capabilities. Other Furnaces and Air Handlers may require an optional time delay relay (58M81) for field installation. See furnace or air handler specifications to determine if relay is needed. Also see TXV Substitution Table.



Visit us at www.lennox.com

For the latest technical information, www.lennoxravenet.com

Contact us at 1-800-4-LENNOX

NOTE - Due to Lennox' ongoing commitment to quality, Specifications, Ratings and Dimensions subject to change without notice and without incurring liability. Improper installation, adjustment, alteration, service or maintenance can cause property damage or personal injury. Installation and service must be performed by a qualified installer and servicing agency.

©2010 Lennox Industries, Inc.