

# AIR CONDITIONERS

## XC17

DAVE LENNOX SIGNATURE® COLLECTION  
R-410A - SilentComfort™ Technology



### PRODUCT SPECIFICATIONS

Bulletin No. 210585  
November 2015  
Supersedes September 2015

DAVE LENNOX  
*signature*  
COLLECTION



iComfort®

So simple. So smart. So comfortable.

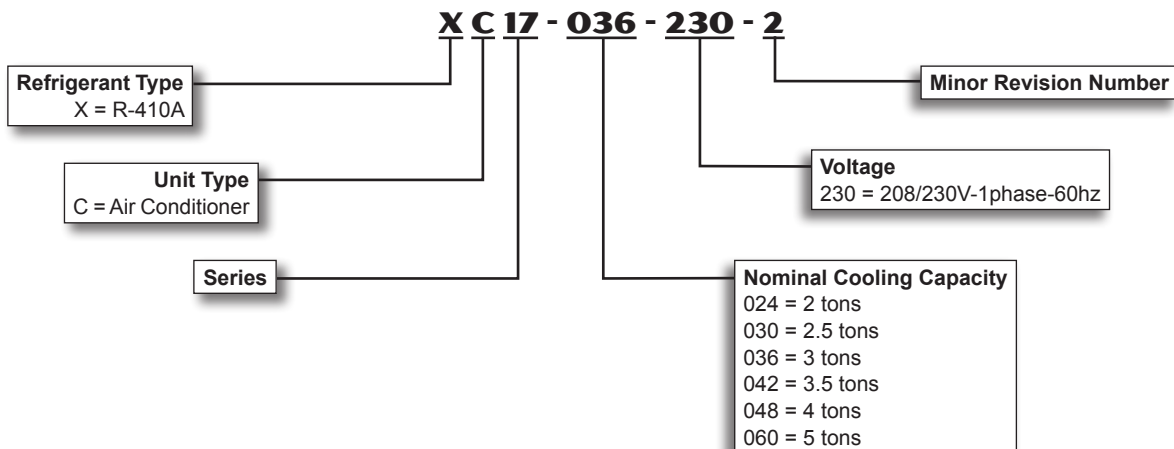
SUNSOURCE®  
Home Energy System

**SEER up to 18.00**

**2 to 5 Tons**

**Cooling Capacity - 22,000 to 59,000 Btuh**

### MODEL NUMBER IDENTIFICATION



## FEATURES

### CONTENTS

AHRI System Matches .....	15
Dimensions .....	13
Electrical Data.....	11
Features.....	2
Field Wiring.....	12
Installation Clearances .....	12
Model Number Identification .....	1
Optional Accessories - Order Separately.....	11
Outdoor Sound Data.....	12
Specifications.....	11
Sunsource® Home Energy System - Components .....	7

### WARRANTY

**Compressor** - Limited warranty for ten years in residential installations and five years in non-residential installations.

**All other covered components** - Ten years in residential installations and one year in non-residential installations.

Refer to Lennox Equipment Limited Warranty certificate included with unit for specific details.

### APPROVALS

AHRI Certified to AHRI Standard 210/240-2008.

Sound rated in Lennox reverberant sound test room in accordance with test conditions included in AHRI Standard 270-2008.

Tested in the Lennox Research Laboratory environmental test room.

Rated according to U.S. Department of Energy (DOE) test procedures.

Air conditioners and components within bonded for grounding to meet safety standards for servicing required by ETL, NEC and CEC.

Units are ETL certified for the U.S. and Canada.

ISO 9001 Registered Manufacturing Quality System.

### APPLICATIONS

SEER up to 18.00

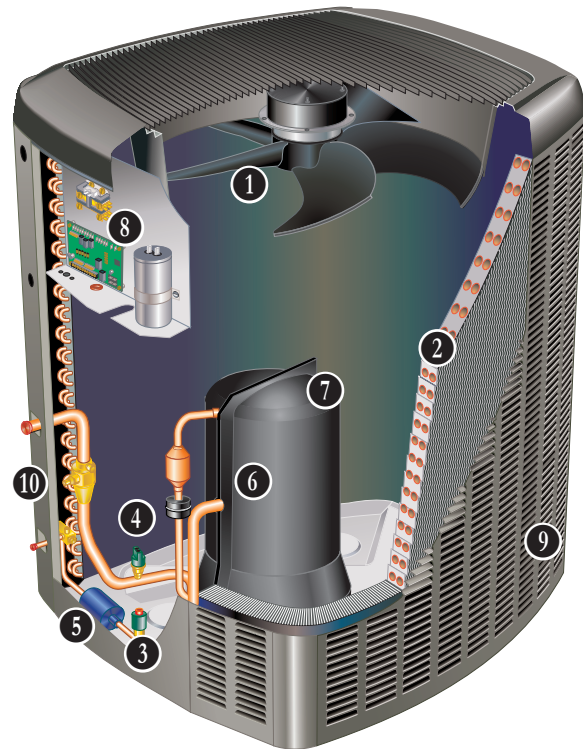
2 through 5 ton.

Sound levels as low as 62 dB.

Single phase power supply.

SunSource® Solar-Ready (with optional Lennox Solar Subpanel).

Vertical air discharge allows concealment behind shrubs at grade level or out of sight on a roof.



Matching add-on furnace indoor coils or air handlers provide a wide range of cooling capacities and applications. See AHRI System Matches.

See Indoor Coils and Air Handlers tab sections for data. Units shipped completely factory assembled, piped, and wired. Each unit is test operated at the factory insuring proper operation.

Installer must set air conditioner, connect refrigerant lines, and make electrical connections to complete job.

### REFRIGERATION SYSTEM

#### R-410A Refrigerant

Non-chlorine, ozone friendly, R-410A.

Unit pre-charged with refrigerant.

See Specification table.



#### 1 Condenser Fan with SilentComfort™ Technology

Specially-designed, SilentComfort fan guard uses Passive Vortex Suppression to reduce air noise. Corrosion-resistant PVC (polyvinyl chloride) coated steel wire.

Specially designed fan blades reduce operating sound levels. Direct drive fan moves large air volumes uniformly through entire condenser coil for high refrigerant cooling capacity.

Vertical air discharge minimizes operating sounds and eliminates damage to lawn and shrubs.

Fan motor is inherently protected.

Motor totally enclosed for maximum protection from weather, dust and corrosion.

Fan service access accomplished by removal of fan guard.

## FEATURES

### REFRIGERATION SYSTEM (continued)

- 2 Copper Tube/Enhanced Fin Coil**  
Lennox designed and fabricated coil.  
Ripple-edged aluminum fins.  
Copper tube construction.  
Lanced fins provide maximum exposure of fin surface to air stream resulting in excellent heat transfer.  
Fin collars grip tubing for maximum contact area.  
Flared shoulder tubing connections/silver soldering construction.  
Coil is factory tested under high pressure to insure leakproof construction.  
Entire coil is accessible for cleaning.
- 3 High Pressure Switch**  
Shuts off unit if abnormal operating conditions cause the discharge pressure to rise above setting.  
Protects compressor from excessive condensing pressure.  
Manual reset.
- 4 Low Pressure Switch**  
Shuts off unit if suction pressure falls below setting.  
Provides loss of charge and freeze-up protection.  
Automatic reset.
- 5 Hi-Capacity Liquid Line Drier**  
Factory installed in the liquid line, the drier traps moisture or dirt that could contaminate the refrigerant system.  
100% molecular-sieve bead type drier.

### Optional Accessories

#### Expansion Valve Kits

Must be ordered separately and field installed on certain evaporator units. See TXV Usage table.

Chatleff style fitting.

#### Freezestat

Installs on or near the discharge line of the evaporator or on the suction line.

Senses suction line temperature and cycles the compressor off when suction line temperature falls below it's setpoint.

Opens at 29°F and closes at 58°F.

#### Refrigerant Line Kits

Refrigerant lines (suction & liquid) are shipped refrigeration clean. Lines are cleaned, dried, pressurized, and sealed at factory.


Suction line fully insulated.

L15 lines are stubbed at both ends.

See Specifications table for selection.

Not available for -060 model and must be field fabricated.

### COMPRESSOR

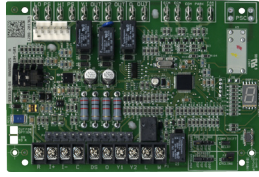
- 6 Scroll Compressor**  
Compressor features high efficiency with uniform suction flow, constant discharge flow, high volumetric efficiency and quiet operation.  
Compressor consists of two involute spiral scrolls matched together to generate a series of crescent shaped gas pockets between them.  
During compression, one scroll remains stationary while the other scroll orbits around it.  
Gas is drawn into the outer pocket, the pocket is sealed as the scroll rotates.  
As the spiral movement continues, gas pockets are pushed to the center of the scrolls. Volume between the pockets is simultaneously reduced.  
When the pocket reaches the center, gas is now at high pressure and is forced out of a port located in the center of the fixed scrolls.  
During compression, several pockets are compressed simultaneously resulting in a smooth continuous compression cycle.  
Continuous flank contact, maintained by centrifugal force, minimizes gas leakage and maximizes efficiency.  
Scroll compressor is tolerant to the effects of slugging and contaminants. If this occurs, scrolls separate, allowing liquid or contaminants to be worked toward the center and discharged.  
Low gas pulses during compression reduces operational sound levels.  
Compressor motor is internally protected from excessive current and temperature.  
Compressor is installed in the unit on resilient rubber mounts for vibration free operation.  
Factory installed crankcase heater.
- 
- 7 Compressor Sound Dampening System**  
A polyethylene compressor cover containing a 2-inch thick batt of fiberglass insulation for better sound dampening.  
All open edges are sealed with a one-inch wide hook and loop fastening tape.

## FEATURES

### CONTROLS

#### 8 iComfort™ Control

Advanced *iComfort™* control communicates information about various operating parameters in the air conditioner to the optional *iComfort Wi-Fi® Thermostat* to constantly maintain the highest level of comfort, performance and efficiency available.



Connections for connecting a conventional heating/cooling thermostat are also provided on the control.

Auto Configuration - On start-up the control automatically sends a description of the unit to the optional *iComfort Wi-Fi® Thermostat* to automatically configure the number of stages and features available.

#### Seven-Segment Display

Seven-segment display shows information about outdoor unit type and capacity and also displays alerts for common fault conditions (electrical and mechanical).

Control also features:

- Compressor anti-short cycle delay (5 minutes).
- High and low pressure switch monitoring with provisions for lockout.
- Five-Strike lockout protection protects compressor.
- Discharge line and sensor monitoring.
- Fan cycling operates outdoor fan for 5 minutes when outdoor ambient air temperature is between 15°F and 35°F and the compressor has been off for 25 to 30 minutes. Reduces the potential for ice buildup on the fan orifice ring. User selectable 5 minutes on or off (default setting).
- Lennox Humiditrol® Whole Home Dehumidification System (EDA) compatible.
- EEPROM storage of all local configurations.

#### Outdoor Air Temperature Sensor

Used with *iComfort®*-enabled thermostats.

Sensor allows thermostat to display outdoor temperature. Sensor is auto-detected when connected to thermostat.

Also used for *Humiditrol®* applications.

### Optional Accessories

#### Compressor Hard Start Kit

Single-phase units are equipped with a PSC compressor motor.

This type of motor normally does not need a potential relay and start capacitor.

In conditions such as low voltage, kit may be required to increase the compressor starting torque.

#### Indoor Blower Off Delay Relay

Delays the indoor blower-off time during the cooling cycle. Required if outdoor unit is used with a conventional heating-cooling thermostat and air handler (non-*iComfort™* control system). See furnace or air handler specifications to determine if relay is needed.

#### Low Ambient Kit

Air conditioner will operate satisfactorily down to 45°F outdoor air temperature without any additional controls.

Kit can be added in the field enabling unit to operate properly down to 30°F.

A Freezestat should be installed on compressors equipped with a Low Ambient Kit.

A Compressor Low Ambient Cut-Off Switch should be added to terminate compressor operation below recommended operation conditions.



## FEATURES

### CONTROLS (continued)

#### Optional Accessories

#### iComfort® S30 Thermostat (part of the iComfort® Residential Communicating Control System)

The *iComfort® S30 Thermostat* recognizes and connects to all iComfort®-enabled products to automatically configure and control the heating/cooling system (based on user-specified settings) for the highest level of comfort, performance and efficiency. Also recognizes model and serial number information for iComfort®-enabled products to simplify system setup.



Wi-Fi remote temperature monitoring and adjustment through a home wireless network for desktop PCs, laptops and apps for smartphones or tablets. Also displays service alerts and reminders.

Dealer Dashboard features online real-time monitoring of installed iComfort® systems.

A simple easy-to-use touchscreen allows complete system configuration. Scheduled maintenance alerts, system warnings and troubleshooting are also displayed on thermostat screen.

Easy to read 7 in. high definition color display (measured diagonally).

Installer setup screens allow quick and simple system configuration without a manual, Installer can also run tests on complete system or individual components for easy maintenance and troubleshooting.

Serial communications bus (RSBus), with less wiring than a conventional heating/cooling system, allows system communication. Uses 4-wire, 18-gauge standard thermostat wiring.

Remote outdoor temperature sensor (furnished with outdoor unit) allows the thermostat to display outdoor temperature. Required in *Humiditrol®* applications.

High Definition Color Display, Mag-Mount, Smart Hub Controller, wallplate (for retrofit installations) furnished for easy installation.

See the *iComfort® S30 Thermostat* Product Specifications bulletin in the Controls section for more information.

#### iComfort Wi-Fi® Thermostat (part of the iComfort® Residential Communicating Control System)

The *iComfort Wi-Fi® Thermostat* recognizes and connects to all iComfort®-enabled products to automatically configure and control the heating/cooling system (based on user-specified settings) for the highest level of comfort, performance and efficiency. Also



recognizes model and serial number information for iComfort®-enabled products to simplify system setup.

Wi-Fi remote temperature monitoring and adjustment through a home wireless network for desktop PCs, laptops and apps for smartphones or tablets. Also displays service alerts and reminders.

Dealer Dashboard features online real-time monitoring of installed iComfort® systems.

A simple easy-to-use touchscreen allows complete system configuration. Scheduled maintenance alerts, system warnings and troubleshooting are also displayed on thermostat screen.

Easy to read 7-inch color screen (measured diagonally).

Installer setup screens allow quick and simple system configuration without a manual, Installer can also run tests on complete system or individual components for easy maintenance and troubleshooting.

Serial communications bus (RSBus), with less wiring than a conventional heating/cooling system, allows system communication. Uses 4-wire, 18-gauge standard thermostat wiring.

Remote outdoor temperature sensor (furnished with outdoor unit) allows the thermostat to display outdoor temperature. Required in *Humiditrol®* applications.

See the *iComfort Wi-Fi® Thermostat* Product Specifications bulletin in the Controls section for more information.

## FEATURES

### CONTROLS (continued)

#### Optional Accessories (continued)

##### ComfortSense® 7500 Touchscreen Thermostat

Electronic 7-day, universal, multi-stage, programmable, touchscreen thermostat.

4 Heat/2 Cool.

Auto-changeover.

Controls dehumidification during cooling mode.

Offers enhanced capabilities including humidification / dehumidification / dewpoint measurement and control, Humiditrol® control, and equipment maintenance reminders.

Easy-to-use, menu driven thermostat with a back-lit, LCD touchscreen.

See the ComfortSense® 7500 Product Specifications bulletin in the Controls section for more information.



##### Remote Outdoor Temperature Sensor for ComfortSense® 7500 Thermostat

Allows the thermostat to display outdoor temperature. Required in *Humiditrol*® applications.

##### Thermostat

Thermostat is not furnished with unit.

See Thermostat bulletins in Controls Section and Lennox Price Book for selection.

### CABINET

Heavy-gauge steel construction

Pre-painted cabinet finish.

Control box is conveniently located with all controls factory wired.

Large removable panel provides service access.

Drainage holes are provided in base section for moisture removal.

High density polyethylene unit support feet raise the unit off of the mounting surface, away from damaging moisture.

##### PermaGuard™ Unit Base

Durable zinc-coated base section resists rust and corrosion.

##### 9 SmarHinge™ Louvered Coil Protection

Steel louvered panels provides complete coil protection.

Panels are hinged to allow easy cleaning and servicing of coils.

Panels may be completely removed.

Interlocking tabs and slots assure tight fit on cabinet.



##### 10 Refrigerant Line Connections, Electrical Inlets and Service Valves

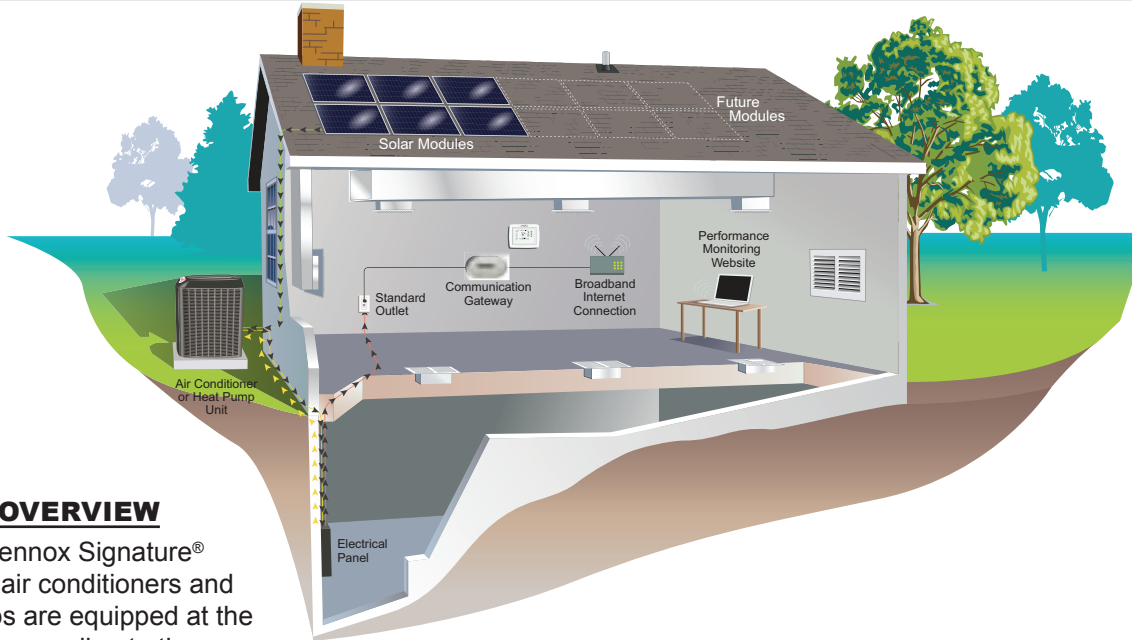
Suction and liquid lines are located on corner of unit cabinet and are made with sweat connections. See dimension drawing.

Fully serviceable brass service valves prevent corrosion and provide access to refrigerant system. Suction valve can be fully shut off, while liquid valve may be front seated to manage refrigerant charge while servicing system.

Suction and liquid line service valves and gauge ports are located inside the cabinet.

Refrigerant line connections and field wiring inlets are located in one central area of the cabinet. See dimension drawing.

## SUNSOURCE® HOME ENERGY SYSTEM - COMPONENTS



### **SYSTEM OVERVIEW**

All Dave Lennox Signature® Collection air conditioners and heat pumps are equipped at the factory for upgrading to the SunSource® Home Energy System.

Units can be upgraded at the time of installation or in the future.

Solar energy is first used to meet cooling/heating demands. When the cooling/heating system is not operating, the system powers lighting, appliances and other electronic devices in the home. And in some locations, any surplus power is sent back to the utility company for a possible credit (check with your local utility company for availability).

The SunSource system consists of the following components:

- Lennox Solar Sub-Panel field installed in a Dave Lennox Signature® Collection air conditioner or heat pump unit.
- SolarWorld Pre-Engineered Kits consisting of:
  - SolarWorld Solar Modules (1 to 16 may be used to vary the amount of electricity generated).
  - Enphase Microinverter that converts Direct Current to Alternating Current.
  - Enphase Envoy Communications Gateway for solar power performance monitoring.
  - Roof Mounting Components.

Wiring from the roof mounted solar modules is routed to the outdoor unit. From there power travels to the home electrical service panel using the existing outdoor unit power wiring.

*NOTE - Refer to separate Product Specifications Bulletin for the SunSource® Home Energy System for more detailed information. See section Solar - Kits/ Accessories.*

Also refer to **SunSource® Home Energy System Applications and Design Guidelines** Manual (Corp. 1312-L2) for complete information on designing, sizing and installing a complete system.

### **APPROVALS**

The SunSource® Home Energy System meets the requirements for federal tax credit eligibility listed under the U.S. Emergency Economic Stabilization Act of 2008, covering 30% of the cost of the solar modules, including installation.

### **LENNOX® SOLAR SUB-PANEL**

The Lennox® Solar Sub-Panel replaces the factory piping panel on the outdoor unit and provides circuit breaker protection and power entry for both HVAC (line) and solar power wiring.

Sub-Panel is equipped with separate circuit breakers for both HVAC (line) voltage and solar power.

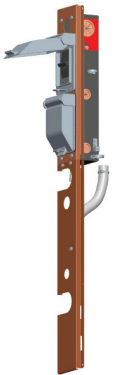
Equipped with pigtail connections for easy field wiring.

Sub-Panel is an ETL listed accessory.

Split design (upper/lower panel) allows installation on different size outdoor units. Sub-Panel is furnished with three separate lower panels. See Outdoor Unit Usage table for correct lower panel size.

*NOTE - Sub-Panel is not backwards compatible with older non Solar-Ready Dave Lennox Signature® Collection outdoor units.*

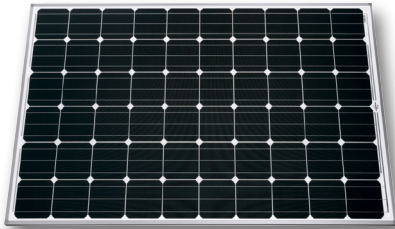
Disconnects for HVAC (line) and solar power wiring are not furnished and must be field provided.



## SUNSOURCE® HOME ENERGY SYSTEM - COMPONENTS

### SOLAR MODULE

Captures solar energy to convert into AC power through the Enphase Microinverter.



Laminated solar module structure consists of the solar glass, two ethylene vinyl acetate (EVA) sheets, the solar cell matrix and a back sheet.

Thick low-iron safety glass withstands extreme weather conditions and heavy snow loads.

Solar modules are ETL/Intertek listed for the US and Canada to UL Standard 1703 and meet National and Canadian Electrical Code requirements.

#### **Solar Module Frame**

Available in black or clear anodized silver frame with cast aluminum corner keys.

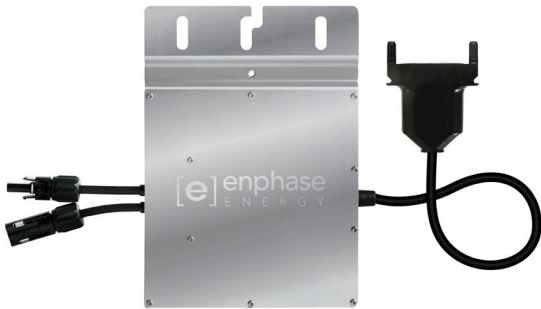
Low profile with extended flange.

Compatible with “top-down” and “bottom-up” mounting methods.

Eight grounding locations (Four corners of the frame and four locations along the length of the module in the extended flange).

Extended cable lengths for easier installation.

### ENPHASE MICROINVERTER



Converts Direct Current (DC), captured by a solar module, to Alternating Current (AC) power. Each solar module is paired with one Enphase Microinverter.

Installed beneath each solar module on the roof.

Enphase Microinverters operate independently from each other allowing solar modules that are not shaded or dirty to operate with optimum performance.

Supports low-light and low-voltage operation.

### SYSTEM MONITORING

#### **Enphase Envoy Communications Gateway (Communications Booster Furnished)**

The Enphase Envoy Communications Gateway monitors microinverter (on solar modules) performance and can be connected to a broadband internet connection to send



data to the Enphase Enlighten™ web site for online monitoring by the homeowner. The Enphase Envoy Communications Gateway is not required, but must be used if system performance monitoring is desired.

Limited system monitoring is also available locally with the Enphase Envoy Communications Gateway and a personal computer if no internet connection is available.

Various Event Messages are also available when monitoring the system via a personal computer locally.

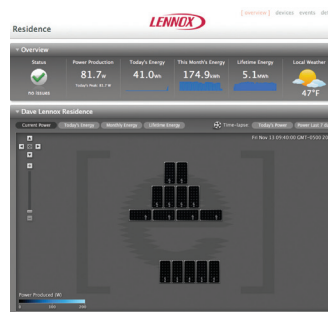
Contents - (1) Enphase Envoy Communications Gateway, (1) Communications Booster, (1) 6 ft. power cord, (1) 10 ft. Ethernet cable, communications booster. CSA (US/C) listed.

The Enphase Envoy Communications Gateway includes a Communications Booster which may or may not be needed depending upon how far the Envoy is away from the solar modules.

#### **Communications Booster**

Ethernet bridge signal booster for the Enphase Envoy Communications Gateway. Booster is only needed if the communications gateway is installed and signal is not strong enough in the installed location. Allows the unit to be plugged into an outlet closer to the distribution panel, yet still plug into the broadband router.

#### **Enphase Enlighten™ Performance Monitoring Website**



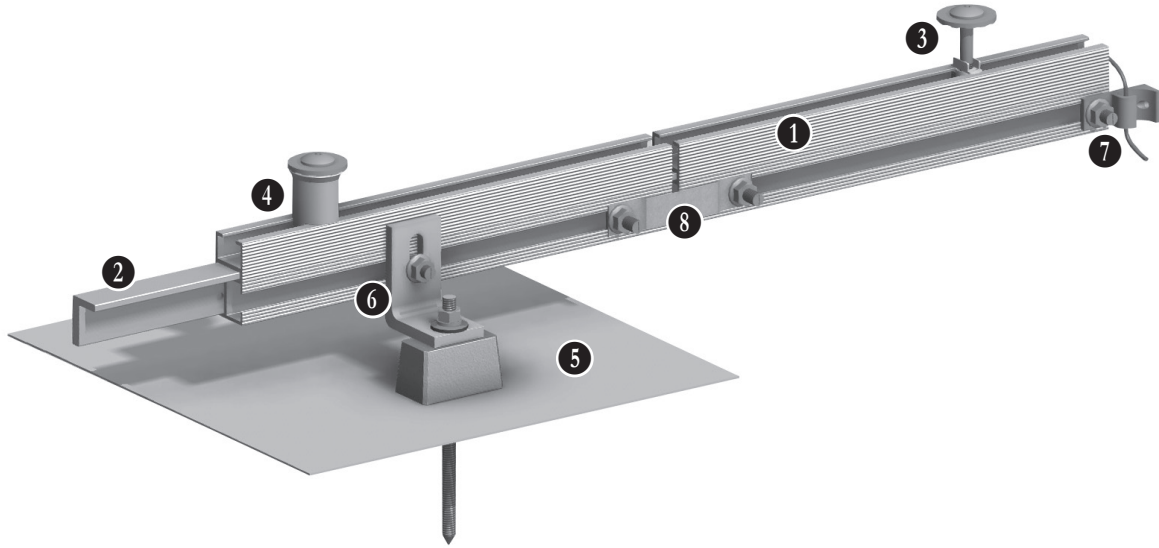
Powered by the Enphase Envoy Communications Gateway, the Enphase Enlighten™ Performance Monitoring website allows the homeowner to keep track of home energy usage and see environmental benefits in real time. Also aids in troubleshooting any solar-related issues.

See demos, view reference installations and other additional information at:

<http://enlighten.enphaseenergy.com/>



**ROOF MOUNTING COMPONENTS**



- 1 **Rails** - Provides a mounting surface for Solar Modules in portrait orientation using associated hardware. Serrations on sides of rails provide a secure and stable mating surface for hardware (L-Brackets, Rail Splice Ground Jumper, Ground Lug). Available in 122 in. (3099 mm) and 162 in. (4115 mm) lengths.
- 2 **Rail Splice Bar Connector** - For connecting two lengths of rail together. No fasteners required. Pin on center of splice leaves a gap between rails to allow for thermal expansion.
- 3 **Top Clamp Assembly (Silver or Black)** - M8 T40 bolt with channel nut, bolt positioning retainer and serrated module clamping washer. Inserts into rail slot to secure modules and set spacing in-between each one.
- 4 **End Clamp Aluminum Spacer (Silver or Black)** - Used with Top Clamp Assembly for securing the end of module mounting row.
- 5 **Composition Roof Mount/Flashing (Mil Aluminum or Bronze)** - Provides roof mounting surface for mounting system. Size - 12 x 12 in. (305 x 305 mm). Base block, hanger bolt and hardware furnished. Adds 1-1/4 in. (32 mm) height below the L-Bracket.
- 6 **L-Bracket** - Clear anodized aluminum with serrated mating surface. Fastens rail to Roof Mount/Flashing. Has two 1 in. (25 mm) slots that provide adjustment from 2-1/2 to 3-1/2 in. (64 to 89 mm).  
**Wire Clip (not shown)** - Provides wire management for solar array wiring. Fastens to edge of rail. For 10 AWG.  
**Ground Lug (not shown)** - Tin plated, WEEB 8.0, lay-in type. Mounts to corner of solar module.
- 7 **Rail-Equipment Ground WEEB 8.0 Lug** - T-bolt slides into rail for secure connection.
- 8 **Rail Splice Ground Jumper** - WEEB 8.0, pre-assembled with T-bolts. Electrically bonds rails together. Required at each rail splice.

**Rooftop Junction Box (not shown)** - Soladeck JBox with flashing. Used to transition from the AC-Interconnection cable to wiring/conduit to the outdoor unit. ETL-listed weather-tight enclosure.

**Passthru Kit (not shown)** - Used with Rooftop Junction Box. One-branch AC passthru kits. Contains all necessary wiring hardware.

**ENPHASE ENGAGE CABLE COMPONENTS**

**Enphase Engage Cable** - The Engage Cable (shown with connector) is a 12 AWG cable with pre-installed connectors (portrait aligned) that plug into the Microinverter. Four wire cable (240V single-phase).



**Enphase Engage Cable Terminator** - Each Engage Cable is terminated at a junction or combiner box. The opposite end of the cable must be terminated with an Engage Cable Terminator cap.



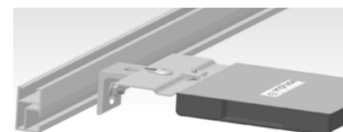
**Enphase Engage Disconnect Tool** - Specialized tool that disconnects the Engage Cable from a Microinverter or watertight sealing cap.



**Enphase Engage Water-tight Sealing Cap** - Use when open connections on the Engage Cable are not mated to a Microinverter.



**ENPHASE MICROINVERTER MOUNTING**



L-Bracket and associated hardware to mount microinverter to rail.

## SUNSOURCE® - PRE-ENGINEERED KITS

### ORDERING

SunSource® Pre-Engineered Kits are available for composition shingle roofs, standing seam roofs, trapezoid metal roofs, flat tile roofs and S tile roofs. See the Sunsource Home Energy System Product Specifications bulletin for complete Pre-Engineered Kits ordering instructions and the Ordering Process Flowchart/Worksheet.

The Installation Package contains the appropriate number of required Rails, Splices, Brackets, Clamps, Clips and assorted hardware (nuts/bolts/washers) for the installation.

### NOTE

*The Lennox® Solar Sub-Panel for the outdoor unit must be ordered separately. See below for ordering information.*

### Lennox® Solar Sub-Panel



Order one per outdoor unit. Replaces the outdoor unit piping panel and provides the connection between the solar modules and outdoor unit.

**62E02**

## LENNOX® SOLAR SUBPANEL - OUTDOOR UNIT USAGE

Outdoor Unit Model No.	Lower Subpanel Height - in. (mm)	
	21 (533)	27 (686)
XC17-024	X	
XC17-030-036-042-048-060		X

## SPECIFICATIONS

General		Model No.	XC17-024	XC17-030	XC17-036	XC17-042	XC17-048	XC17-060
Data	Nominal Tonnage		2	2.5	3	3.5	4	5
Connections (sweat)	Liquid line (o.d.) - in.		3/8	3/8	3/8	3/8	3/8	3/8
	Suction line (o.d.) - in.		3/4	3/4	7/8	7/8	7/8	1-1/8
Refrigerant	<sup>1</sup> R-410A charge furnished		7 lbs. 14 oz.	8 lbs. 0 oz.	7 lbs. 12 oz.	7 lbs. 14 oz.	12 lbs. 12 oz.	12 lbs. 14 oz.
Outdoor Coil	Net face area - sq. ft.	Outer coil	23.25	27.21	27.21	27.21	27.21	27.21
		Inner coil	---	---	---	---	26.36	26.36
	Tube diameter - in.		5/16	5/16	5/16	5/16	5/16	5/16
	No. of rows		1	1	1	1	2	2
	Fins per inch		26	26	26	26	22	22
Outdoor Fan	Diameter - in.		26	26	26	26	26	26
Fan	No. of blades		5	5	5	5	5	5
		Motor hp		1/3	1/3	1/3	1/3	1/3
	Cfm		2650	3055	4025	4025	4230	4230
	Rpm		400	450	600	600	675	675
	Watts		37	53	122	122	185	185
Shipping Data - lbs. 1 pkg.			263	285	286	311	344	349

## ELECTRICAL DATA

Line voltage data - 60hz - 1 ph			208/230V	208/230V	208/230V	208/230V	208/230V	208/230V
<sup>2</sup> Maximum overcurrent protection (amps)			30	30	30	40	50	50
<sup>3</sup> Minimum circuit ampacity			20.0	20.0	20.0	24.4	29.3	33.3
Compressor	Rated load amps		13.5	12.8	14.1	17.9	21.8	25.0
	Locked rotor amps		58.3	64.0	77.0	107.0	117.0	134.0
	Power factor		.97	.98	.98	.93	.96	.98
Outdoor Fan Motor	Full load amps		2	2	2	2	2	2

## CONTROLS

iComfort® S30 Thermostat	12U67	•	•	•	•	•	•
iComfort Wi-Fi® Thermostat	10F81	•	•	•	•	•	•
ComfortSense® 7500 Thermostat	13H14	•	•	•	•	•	•
Outdoor Temperature Sensor - for ComfortSense® 7500	X2658	•	•	•	•	•	•
<sup>4</sup> Discharge Air Temperature Sensor	88K38	•	•	•	•	•	•

## OPTIONAL ACCESSORIES - ORDER SEPARATELY

Compressor Hard Start Kit	88M91	•	•	•	•	•	•
Freezestat	3/8 in. tubing	93G35	•	•	•	•	•
	5/8 in. tubing	50A93	•	•	•	•	•
Indoor Blower Off Delay Relay	58M81	•	•	•	•	•	•
<sup>5</sup> Low Ambient Kit (Fan Cycling)	68M04	•	•	•	•	•	•
Refrigerant Line Sets	L15-41-20	L15-41-40	•	•			
	L15-41-30	L15-41-50					
	L15-65-30	L15-65-40			•	•	•
		L15-65-50					
	Field Fabricate						•

NOTE - Extremes of operating range are plus 10% and minus 5% of line voltage.

<sup>1</sup> Refrigerant charge sufficient for 15 ft. length of refrigerant lines.

<sup>2</sup> HACR type breaker or fuse.

<sup>3</sup> Refer to National or Canadian Electrical Code manual to determine wire, fuse and disconnect size requirements.

<sup>4</sup> Used with the iComfort® S30 and iComfort Wi-Fi® Thermostats for optional service diagnostics.

<sup>5</sup> Freezestat is recommended with Low Ambient Kit.

## INSTALLATION CLEARANCES - INCHES (MM)

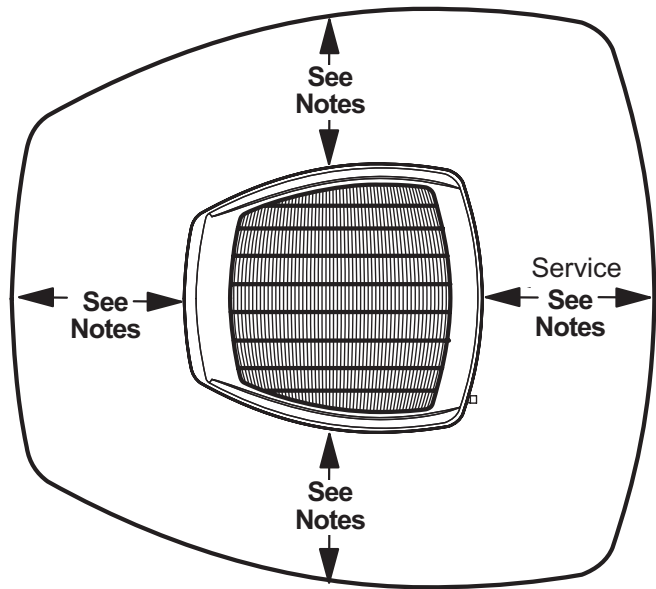
### NOTES

One of the three sides must be 36 in. (914 mm).  
 One of the two remaining sides may be 12 in. (305 mm).  
 The remaining side may be 6 in. (152 mm).

Service Clearance – 30 in. (762 mm).

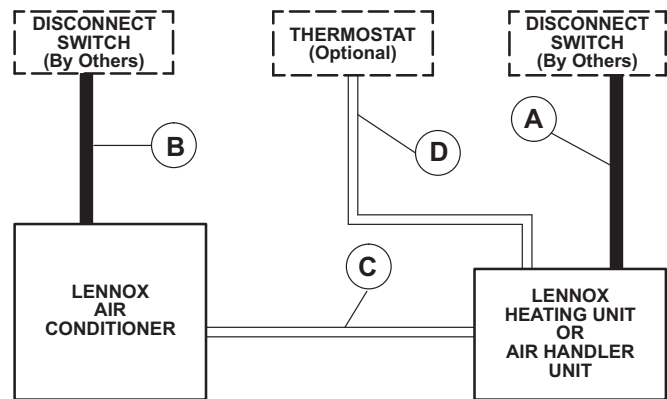
48 in. (1219 mm) clearance required on top of unit.

24 in. (610 mm) required between two units.



## FIELD WIRING

- A - Two Wire Power (not furnished)
  - B - Two Power (not furnished) See Electrical Data
  - C - Four Wire Low Voltage (not furnished) 18 ga. minimum
  - D - Six Wire Low Voltage (not furnished) 18 ga. minimum - with Conventional Thermostat
  - Four Wire Low Voltage RSBUS (not furnished) 18 ga. minimum - With iComfort Wi-Fi® Thermostat
- All wiring must conform to NEC or CEC and local electrical codes.*



## OUTDOOR SOUND DATA

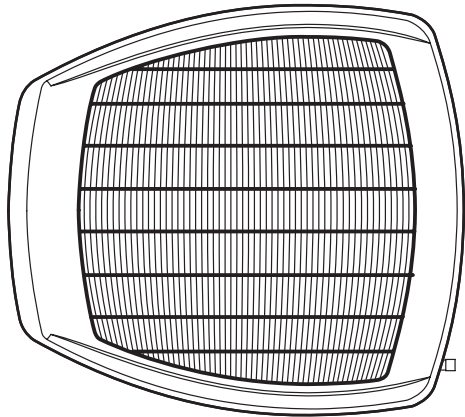
<sup>1</sup> Unit Model No.	Octave Band Linear Sound Power Levels dB, re 10 <sup>-12</sup> Watts							<sup>1</sup> Sound Rating Number (dB)
	Center Frequency - HZ							
	125	250	500	1000	2000	4000	8000	
XC17-024	51.5	56.5	58.5	57.5	48.5	41.5	41.0	62
XC17-030	48.1	55.2	59.4	58.2	55.9	50.1	48.4	64
XC17-036	57.5	63.0	67.0	65.0	59.5	53.0	45.0	70
XC17-042	56.0	60.0	63.0	63.0	58.5	51.5	45.5	70
XC17-048	57.5	65.0	69.5	67.5	63.0	57.0	50.0	73
XC17-060	58.0	65.5	70.0	67.5	63.0	56.5	49.0	73

NOTE - the octave sound power data does not include tonal correction.

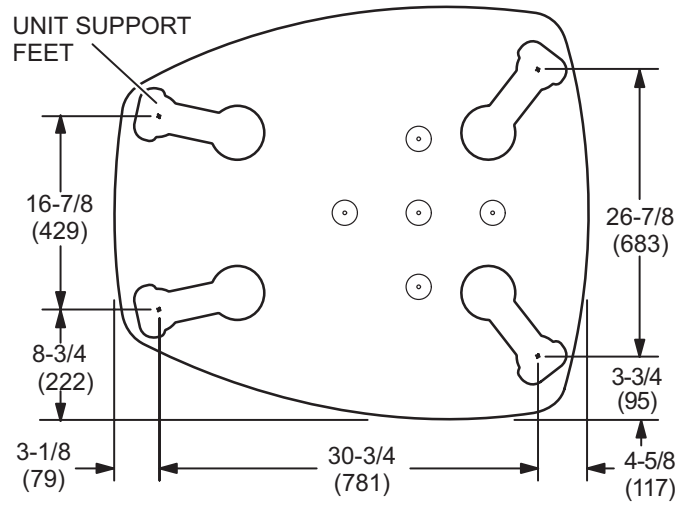
<sup>1</sup> Tested according to AHRI Standard 270-2008 test conditions.



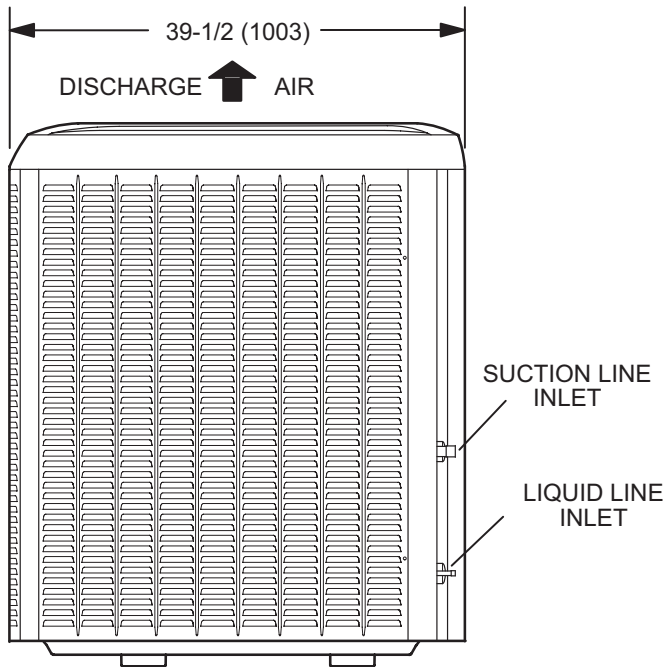
**DIMENSIONS - INCHES (MM)**



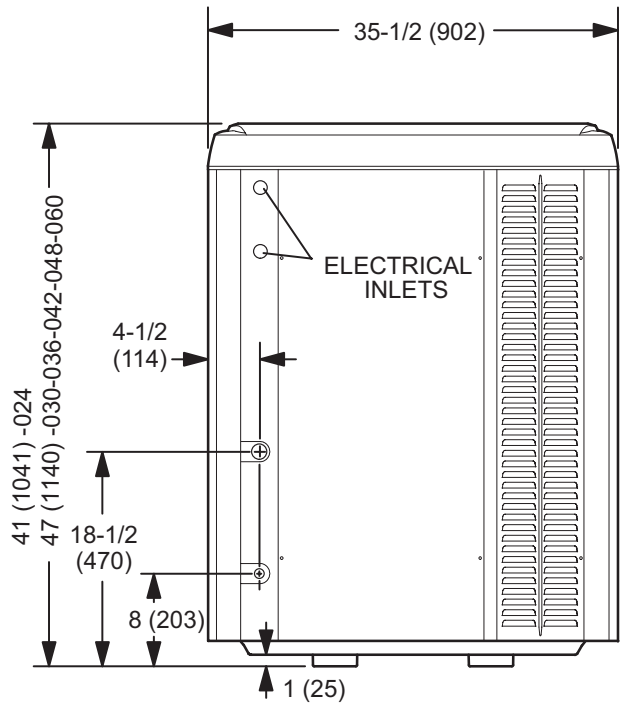
**TOP VIEW**



**TOP VIEW BASE SECTION  
(Large Base)**



**SIDE VIEW**



**ACCESS VIEW**

## TXV USAGE

Use this table for C33, C35, CH23, CH33, CH35 and CR33 Field Installed TXV Match-Ups.

Outdoor Unit Model No.	Order No.
XC17-024	<b>12J18</b>
XC17-030	<b>12J18</b>
XC17-036	<b>12J19</b>
XC17-042	<b>12J20</b>
XC17-048	<b>12J20</b>
XC17-060	<b>12J20</b>

CX34 and CX35 upflow coils and all Lennox air handlers are shipped with a factory installed TXV. In most cases, no change out of the valve is needed.

If a change out is required it will be listed in the "TXV SUBSTITUTIONS" table. The correct TXV must be ordered and field installed.

C33, C35, CH33 and CH35 coils - Factory installed orifice must be replaced with the expansion valve listed.

CR33 and CH23 coils - Use the expansion valve listed.

## \*TXV SUBSTITUTIONS

Use this table to determine if the factory installed TXV in the indoor unit needs to be replaced.

Outdoor Unit Model No.	Indoor Coil or Air Handler	Factory TXV	Replacement TXV
XC17-030	CX34-42	<b>12J19</b>	<b>12J18</b>
XC17-030	CX34-43	<b>12J19</b>	<b>12J18</b>
XC17-030	CX34-44/48	<b>12J19</b>	<b>12J18</b>
XC17-030	CX35-48	<b>12J20</b>	<b>12J19</b>
XC17-036	CBX32M-030	<b>12J18</b>	<b>12J19</b>
XC17-036	CX34-31	<b>12J18</b>	<b>12J19</b>
XC17-042	CBX32MV-036	<b>12J19</b>	<b>12J20</b>
XC17-042	CBX40UHV-036	<b>12J19</b>	<b>12J20</b>
XC17-042	CX34-38	<b>12J19</b>	<b>12J20</b>
XC17-042	CX35-36	<b>12J19</b>	<b>12J20</b>

\*CX34, CX35 coils and all air handlers - The factory installed expansion valve must be replaced with the expansion valve listed (ordered separately). If the combination is not listed above, the factory installed TXV is used.

## MOST POPULAR MATCHES

Outdoor Unit Model No.	Indoor Unit Model No
XC17-024	CX34-31
XC17-030	CX34-31
XC17-036	CX34-38
XC17-042	CX34-50/60C
XC17-048	CX34-50/60C
XC17-060	CX34-62D

## AHRI STANDARD 210/240

Cooling or heating capacities are net values, including the effects of blower motor heat, and do not include supplementary heat. Power input is the total power input to the compressor(s) and fan(s), plus any controls and other items required as part of the system for normal operation.

Units which do not have an indoor air-circulating blower furnished as part of the model, i.e., split system with indoor coil only, is established by subtracting from the total cooling capacity 1250 Btu/h per 1,000 cfm, and by adding the same amount to the heating capacity. Total power input for both heating and cooling is increased by 365 W per 1,000 cfm of indoor air circulated.

## AHRI SYSTEM MATCHES

NOTE - For the latest up-to-date system matches please visit the AHRI web site at <http://www.ahridirectory.org>

Model No.	Expansion Device	Capacity	SEER	EER	Coil or Air Handler	Furnace	AHRI Reference
XC17-024-230	TXV	23,600	16.00	13.50	C33-19	EL180UH045E36A	5733603
XC17-024-230	TXV	23,600	16.00	13.50	C33-19	EL180UH045XE36A	5733997
XC17-024-230	TXV	23,600	16.00	14.00	C33-19	SL280UH070V36A	4029656
XC17-024-230	TXV	23,600	17.00	14.00	C33-19	SL280UH070XV36A	4037938
XC17-024-230	TXV	22,400	15.70	13.00	C33-24	EL180UH045E36A	5733611
XC17-024-230	TXV	22,400	15.70	13.00	C33-24	EL180UH045XE36A	5734003
XC17-024-230	TXV	22,600	16.20	13.50	C33-24	EL296UH070XV36B	5058713
XC17-024-230	TXV	22,600	16.20	13.50	C33-24	EL296UH090XV36C	5058714
XC17-024-230	TXV	22,600	16.00	13.00	C33-24	SL280UH070V36A	4029673
XC17-024-230	TXV	22,600	16.00	13.00	C33-24	SL280UH070XV36A	4037944
XC17-024-230	TXV	22,400	16.00	13.00	C33-24	SL280UH090V36B	4029674
XC17-024-230	TXV	22,600	16.00	13.50	C33-24	SLP98UH070XV36B	5139420
XC17-024-230	TXV	22,600	16.00	13.50	C33-24	SLP98UH090XV36C	5139421
XC17-024-230	TXV	23,400	15.00	12.50	C33-25		3844001
XC17-024-230	TXV	23,800	17.00	14.00	C33-25	CBWMV-36B-070	4208021
XC17-024-230	TXV	24,000	17.00	14.00	C33-25	EL180UH045E36A	5733604
XC17-024-230	TXV	24,000	17.00	14.00	C33-25	EL180UH045XE36A	5733998
XC17-024-230	TXV	23,800	17.00	14.00	C33-25	EL180UH070E36B	5734274
XC17-024-230	TXV	23,800	17.00	14.00	C33-25	EL180UH070XE36B	5734697
XC17-024-230	TXV	23,800	17.00	14.00	C33-25	EL195UH070XE36B	4694369
XC17-024-230	TXV	23,800	17.00	14.00	C33-25	EL296UH070XE36B	5647357
XC17-024-230	TXV	24,000	17.20	14.50	C33-25	EL296UH070XV36B	5058715
XC17-024-230	TXV	24,000	16.00	14.00	C33-25	SL280UH070V36A	4029657
XC17-024-230	TXV	24,000	17.00	14.00	C33-25	SL280UH070XV36A	4037939
XC17-024-230	TXV	24,400	17.00	14.00	C33-25	SL280UH090V36B	4029658
XC17-024-230	TXV	23,800	16.00	14.00	C33-25	SLO185B79/105V42	7109782
XC17-024-230	TXV	24,000	17.00	14.00	C33-25	SLP98UH070XV36B	5139422
XC17-024-230	TXV	23,800	16.00	13.50	C33-25B	EL296UH045XE36B	7492824
XC17-024-230	TXV	22,600	14.50	12.20	C33-30		3844002
XC17-024-230	TXV	23,200	16.00	13.50	C33-30	EL180UH045E36A	5733605
XC17-024-230	TXV	23,200	16.00	13.50	C33-30	EL180UH045XE36A	5733999
XC17-024-230	TXV	22,800	16.00	13.50	C33-30	EL180UH070E36B	5734275
XC17-024-230	TXV	22,800	16.00	13.50	C33-30	EL180UH070XE36B	5734698
XC17-024-230	TXV	23,000	16.00	13.50	C33-30	EL195UH070XE36B	4694370
XC17-024-230	TXV	23,000	16.00	13.50	C33-30	EL296UH070XE36B	5647358
XC17-024-230	TXV	23,200	16.50	13.70	C33-30	EL296UH070XV36B	5058716
XC17-024-230	TXV	23,000	16.50	13.70	C33-30	EL296UH090XV36C	5058717
XC17-024-230	TXV	23,200	16.00	13.50	C33-30	SL280UH070V36A	4029659
XC17-024-230	TXV	23,200	16.00	13.50	C33-30	SL280UH070XV36A	4037940
XC17-024-230	TXV	23,000	16.00	13.50	C33-30	SL280UH090V36B	4029660
XC17-024-230	TXV	23,200	16.00	13.50	C33-30	SLP98UH070XV36B	5139423
XC17-024-230	TXV	23,000	16.00	13.50	C33-30	SLP98UH090XV36C	5139424
XC17-024-230	TXV	23,800	15.20	12.70	C33-31		3844003
XC17-024-230	TXV	24,400	17.00	14.00	C33-31	EL180UH045E36A	5733607
XC17-024-230	TXV	24,400	17.00	14.00	C33-31	EL180UH045XE36A	5734000
XC17-024-230	TXV	24,200	17.00	14.00	C33-31	EL180UH070E36B	5734276
XC17-024-230	TXV	24,200	17.00	14.00	C33-31	EL180UH070XE36B	5734699
XC17-024-230	TXV	24,400	17.70	14.50	C33-31	EL296UH070XV36B	5058718
XC17-024-230	TXV	24,400	17.00	14.50	C33-31	SL280UH070V36A	4029661

### NOTES:

TXV = Matched with Thermostatic Expansion Valve.

RFC = Matched with RFC metering device.

Ratings are AHRI Certified to AHRI Standard 210/240 (with 25 ft. of connecting refrigerant lines); 95°F outdoor air temperature, 80°F db / 67°F wb entering evaporator air.

All ratings include the use of a blower time delay relay (TDR). All Lennox variable-speed furnaces and Air Handlers have time delay capabilities. Other Furnaces and Air Handlers may require an optional time delay relay (**58M81**) for field installation. See furnace or air handler specifications to determine if relay is needed.

Also see Expansion Valve Kit Usage Table.

## AHRI SYSTEM MATCHES

NOTE - For the latest up-to-date system matches please visit the AHRI web site at <http://www.ahridirectory.org>

Model No.	Expansion Device	Capacity	SEER	EER	Coil or Air Handler	Furnace	AHRI Reference
XC17-024-230	TXV	24,400	17.00	14.50	C33-31	SL280UH070XV36A	4037941
XC17-024-230	TXV	24,800	17.00	14.50	C33-31	SL280UH090V36B	4029662
XC17-024-230	TXV	24,200	17.00	14.00	C33-31	SLO185B79/105V42	7109783
XC17-024-230	TXV	24,400	17.00	14.00	C33-31	SLP98UH070XV36B	5139425
XC17-024-230	TXV	24,000	17.00	14.00	C33-31B	EL195UH045XE36B	8028343
XC17-024-230	TXV	24,000	17.00	14.00	C33-31B	EL195UH070XE36B	8006302
XC17-024-230	TXV	24,000	17.00	14.00	C33-31B	EL296UH045XE36B	8028345
XC17-024-230	TXV	24,000	17.00	14.00	C33-31B	EL296UH070XE36B	8006304
XC17-024-230	TXV	23,400	15.00	12.50	C33-36		3844004
XC17-024-230	TXV	23,800	16.00	14.00	C33-36	EL180UH045E36A	5733608
XC17-024-230	TXV	23,800	16.00	14.00	C33-36	EL180UH045XE36A	5734001
XC17-024-230	TXV	23,800	16.00	14.00	C33-36	EL180UH070E36B	5734277
XC17-024-230	TXV	23,800	16.00	14.00	C33-36	EL180UH070XE36B	5734701
XC17-024-230	TXV	24,000	17.00	14.00	C33-36	EL195UH070XE36B	4694372
XC17-024-230	TXV	24,000	17.00	14.00	C33-36	EL296UH070XE36B	5647360
XC17-024-230	TXV	24,000	17.00	14.00	C33-36	SL280UH070V36A	4029663
XC17-024-230	TXV	24,000	17.00	14.00	C33-36	SL280UH070XV36A	4037942
XC17-024-230	TXV	24,200	17.00	14.00	C33-36	SL280UH090V36B	4029664
XC17-024-230	TXV	23,800	16.00	14.00	C33-36	SLO185B79/105V42	7109784
XC17-024-230	TXV	24,000	15.20	12.70	C33-38		3844005
XC17-024-230	TXV	24,600	17.00	14.00	C33-38	EL180UH045E36A	5733610
XC17-024-230	TXV	24,600	17.00	14.00	C33-38	EL180UH045XE36A	5734002
XC17-024-230	TXV	24,400	17.00	14.00	C33-38	EL180UH070E36B	5734278
XC17-024-230	TXV	24,400	17.00	14.00	C33-38	EL180UH070XE36B	5734702
XC17-024-230	TXV	24,600	17.00	13.50	C33-38	EL195UH070XE36B	4694373
XC17-024-230	TXV	24,600	17.00	13.50	C33-38	EL296UH070XE36B	5647361
XC17-024-230	TXV	24,600	17.70	14.70	C33-38	EL296UH070XV36B	5058719
XC17-024-230	TXV	24,600	17.00	14.50	C33-38	SL280UH070V36A	4029665
XC17-024-230	TXV	24,600	17.00	14.50	C33-38	SL280UH070XV36A	4037943
XC17-024-230	TXV	25,000	18.00	14.00	C33-38	SL280UH090V36B	4029666
XC17-024-230	TXV	24,400	17.00	14.00	C33-38	SLO185B79/105V42	7109786
XC17-024-230	TXV	24,600	17.00	14.00	C33-38	SLP98UH070XV36B	5139426
XC17-024-230	TXV	22,600	16.00	13.00	C35-18/24A		8255545
XC17-024-230	TXV	22,400	15.70	13.00	C35-18/24A	EL180UH045E36A	8255542
XC17-024-230	TXV	22,600	16.00	13.00	C35-18/24A	SL280UH070V36A	8255543
XC17-024-230	TXV	22,600	16.00	13.00	C35-18/24A	SL280UH070XV36A	8255544
XC17-024-230	TXV	22,600	16.00	13.00	C35-18/24B		8255549
XC17-024-230	TXV	22,600	16.20	13.50	C35-18/24B	EL296UH045XV36B	8255546
XC17-024-230	TXV	22,400	16.00	13.00	C35-18/24B	SL280UH090V36B	8255547
XC17-024-230	TXV	22,400	16.00	13.00	C35-18/24B	SL280UH090XV36B	8255591
XC17-024-230	TXV	22,600	16.00	13.50	C35-18/24B	SLP98UH070XV36B	8255548
XC17-024-230	TXV	23,400	15.00	12.50	C35-24A		8255553
XC17-024-230	TXV	24,000	17.00	14.00	C35-24A	EL180UH045E36A	8255550
XC17-024-230	TXV	24,000	16.00	14.00	C35-24A	SL280UH070V36A	8255551
XC17-024-230	TXV	24,000	17.00	14.00	C35-24A	SL280UH070XV36A	8255552
XC17-024-230	TXV	23,400	15.00	12.50	C35-24B		8255562
XC17-024-230	TXV	23,800	17.00	14.00	C35-24B	CBWMV-36B-070	8255554
XC17-024-230	TXV	23,800	17.00	14.00	C35-24B	EL180UH070E36B	8255555
XC17-024-230	TXV	23,800	17.00	14.00	C35-24B	EL195UH070XE36B	8255556

### NOTES:

TXV = Matched with Thermostatic Expansion Valve.

RFC = Matched with RFC metering device.

Ratings are AHRI Certified to AHRI Standard 210/240 (with 25 ft. of connecting refrigerant lines); 95°F outdoor air temperature, 80°F db / 67°F wb entering evaporator air.

All ratings include the use of a blower time delay relay (TDR). All Lennox variable-speed furnaces and Air Handlers have time delay capabilities. Other Furnaces and Air Handlers may require an optional time delay relay (**58M81**) for field installation. See furnace or air handler specifications to determine if relay is needed.

Also see Expansion Valve Kit Usage Table.



## AHRI SYSTEM MATCHES

NOTE - For the latest up-to-date system matches please visit the AHRI web site at <http://www.ahridirectory.org>

Model No.	Expansion Device	Capacity	SEER	EER	Coil or Air Handler	Furnace	AHRI Reference
XC17-024-230	TXV	23,800	16.00	13.50	C35-24B	EL296UH045XV36B	8255592
XC17-024-230	TXV	23,800	17.00	14.00	C35-24B	EL296UH070XE36B	8255557
XC17-024-230	TXV	24,400	17.00	14.00	C35-24B	SL280UH090V36B	8255558
XC17-024-230	TXV	24,400	17.00	14.00	C35-24B	SL280UH090V48B	8255560
XC17-024-230	TXV	24,400	17.00	14.00	C35-24B	SL280UH090XV36B	8255559
XC17-024-230	TXV	24,000	17.00	14.00	C35-24B	SLP98UH070XV36B	8255561
XC17-024-230	TXV	23,800	15.20	12.70	C35-30A		8255566
XC17-024-230	TXV	24,400	17.00	14.00	C35-30A	EL180UH045E36A	8255563
XC17-024-230	TXV	24,400	17.00	14.50	C35-30A	SL280UH070V36A	8255564
XC17-024-230	TXV	24,400	17.00	14.50	C35-30A	SL280UH070XV36A	8255565
XC17-024-230	TXV	23,800	15.20	12.70	C35-30B		8255577
XC17-024-230	TXV	23,800	17.00	14.00	C35-30B	CBWMV-24B-040	8255567
XC17-024-230	TXV	23,800	17.00	14.00	C35-30B	CBWMV-36B-070	8255568
XC17-024-230	TXV	24,200	17.00	14.00	C35-30B	EL180UH070E36B	8255569
XC17-024-230	TXV	24,000	17.00	14.00	C35-30B	EL195UH070XE36B	8255570
XC17-024-230	TXV	24,000	17.00	14.00	C35-30B	EL296UH045XE36B	8255571
XC17-024-230	TXV	24,000	17.00	14.00	C35-30B	EL296UH070XE36B	8255572
XC17-024-230	TXV	24,800	17.00	14.50	C35-30B	SL280UH090V36B	8255573
XC17-024-230	TXV	24,800	17.00	14.50	C35-30B	SL280UH090XV36B	8255574
XC17-024-230	TXV	24,800	17.00	14.50	C35-30B	SL280UH090XV48B	8255575
XC17-024-230	TXV	24,400	17.00	14.00	C35-30B	SLP98UH070XV36B	8255576
XC17-024-230	TXV	24,000	15.20	12.70	C35-36A		8255581
XC17-024-230	TXV	24,600	17.00	14.00	C35-36A	EL180UH045XE36A	8255578
XC17-024-230	TXV	24,600	17.00	14.50	C35-36A	SL280UH070V36A	8255579
XC17-024-230	TXV	24,600	17.00	14.50	C35-36A	SL280UH070XV36A	8255580
XC17-024-230	TXV	24,000	15.20	12.70	C35-36B		8255590
XC17-024-230	TXV	24,400	17.00	14.00	C35-36B	EL180UH070E36B	8255582
XC17-024-230	TXV	24,600	17.00	13.50	C35-36B	EL195UH070XE36B	8255583
XC17-024-230	TXV	24,600	17.70	14.70	C35-36B	EL296UH045XV36B	8255584
XC17-024-230	TXV	24,600	17.70	14.70	C35-36B	EL296UH070XE36B	8255585
XC17-024-230	TXV	25,000	18.00	14.00	C35-36B	SL280UH090V36B	8255586
XC17-024-230	TXV	25,000	18.00	14.00	C35-36B	SL280UH090V48B	8255588
XC17-024-230	TXV	25,000	18.00	14.00	C35-36B	SL280UH090XV36B	8255587
XC17-024-230	TXV	24,600	17.00	14.00	C35-36B	SLP98UH070XV36B	8255589
XC17-024-230	TXV	24,200	17.00	14.00	CBX27UH-024		3844131
XC17-024-230	TXV	24,400	17.00	14.00	CBX27UH-030		3844132
XC17-024-230	TXV	23,400	15.00	12.70	CBX32M-018/024		3844129
XC17-024-230	TXV	23,800	15.70	13.20	CBX32M-030		3844130
XC17-024-230	TXV	23,800	16.00	13.50	CBX32MV-018/024		3844133
XC17-024-230	TXV	24,200	17.00	14.00	CBX32MV-024/030		3844134
XC17-024-230	TXV	24,800	17.50	14.50	CBX32MV-036		3844135
XC17-024-230	TXV	24,400	17.00	14.00	CBX40UHV-024		3844136
XC17-024-230	TXV	24,400	17.00	14.00	CBX40UHV-030		3844137
XC17-024-230	TXV	24,800	17.70	14.70	CBX40UHV-036		3844138
XC17-024-230	TXV	22,400	16.00	13.00	CH23-31	SL280UH090V48B	4249280
XC17-024-230	TXV	23,400	15.00	12.50	CH23-41		3844010
XC17-024-230	TXV	23,600	16.00	13.50	CH23-41	SL280UH090V48B	4249281
XC17-024-230	TXV	23,000	14.70	12.50	CH33-19		3844011
XC17-024-230	TXV	23,400	16.00	13.50	CH33-19	EL180UH045E36A	5733590

### NOTES:

TXV = Matched with Thermostatic Expansion Valve.

RFC = Matched with RFC metering device.

Ratings are AHRI Certified to AHRI Standard 210/240 (with 25 ft. of connecting refrigerant lines); 95°F outdoor air temperature, 80°F db / 67°F wb entering evaporator air.

All ratings include the use of a blower time delay relay (TDR). All Lennox variable-speed furnaces and Air Handlers have time delay capabilities. Other Furnaces and Air Handlers may require an optional time delay relay (**58M81**) for field installation. See furnace or air handler specifications to determine if relay is needed.

Also see Expansion Valve Kit Usage Table.

## AHRI SYSTEM MATCHES

NOTE - For the latest up-to-date system matches please visit the AHRI web site at <http://www.ahridirectory.org>

Model No.	Expansion Device	Capacity	SEER	EER	Coil or Air Handler	Furnace	AHRI Reference
XC17-024-230	TXV	23,400	16.00	13.50	CH33-19	EL180UH045XE36A	5733988
XC17-024-230	TXV	23,400	17.00	14.00	CH33-19	SL280UH070V36A	3946672
XC17-024-230	TXV	23,400	17.00	14.00	CH33-19	SL280UH070XV36A	4037933
XC17-024-230	TXV	22,800	14.50	12.20	CH33-24/30		3844012
XC17-024-230	TXV	23,400	16.00	13.50	CH33-24/30	EL180UH045E36A	5733591
XC17-024-230	TXV	23,400	16.00	13.50	CH33-24/30	EL180UH045XE36A	5733989
XC17-024-230	TXV	23,400	16.00	13.50	CH33-24/30	SL280UH070V36A	3946673
XC17-024-230	TXV	23,400	16.00	13.50	CH33-24/30	SL280UH070XV36A	4037934
XC17-024-230	TXV	24,000	17.00	14.00	CH33-25	EL296UH045XV36B	5149400
XC17-024-230	TXV	24,000	17.20	14.20	CH33-25	EL296UH070XV36B	5058709
XC17-024-230	TXV	23,800	17.00	14.00	CH33-25	SL280UH090V48B	4249294
XC17-024-230	TXV	24,000	17.00	14.00	CH33-25	SLP98UH070XV36B	5139261
XC17-024-230	TXV	23,600	15.00	12.70	CH33-25A		3844013
XC17-024-230	TXV	24,000	17.00	14.00	CH33-25A	EL180UH045E36A	5733593
XC17-024-230	TXV	24,000	17.00	14.00	CH33-25A	EL180UH045XE36A	5733990
XC17-024-230	TXV	24,000	17.00	14.00	CH33-25A	SL280UH070V36A	3946674
XC17-024-230	TXV	24,000	17.00	14.00	CH33-25A	SL280UH070XV36A	4037935
XC17-024-230	TXV	23,400	15.00	12.50	CH33-25B		3844014
XC17-024-230	TXV	24,000	17.00	14.00	CH33-25B	EL180UH070E36B	5734270
XC17-024-230	TXV	24,000	17.00	14.00	CH33-25B	EL180UH070XE36B	5734693
XC17-024-230	TXV	24,000	17.00	14.00	CH33-25B	EL195UH070XE36B	4694366
XC17-024-230	TXV	24,000	17.00	14.00	CH33-25B	EL296UH070XE36B	5647354
XC17-024-230	TXV	24,200	17.00	14.00	CH33-25B	SL280UH090V36B	3946675
XC17-024-230	TXV	24,600	17.00	14.00	CH33-31	EL296UH045XV36B	5149401
XC17-024-230	TXV	24,600	17.70	14.70	CH33-31	EL296UH070XV36B	5058710
XC17-024-230	TXV	24,400	17.00	14.00	CH33-31	SL280UH090V48B	4249295
XC17-024-230	TXV	24,600	17.00	14.00	CH33-31	SLP98UH070XV36B	5139262
XC17-024-230	TXV	24,000	15.20	13.00	CH33-31A		3844015
XC17-024-230	TXV	24,400	17.00	14.00	CH33-31A	EL180UH045E36A	5733594
XC17-024-230	TXV	24,400	17.00	14.00	CH33-31A	EL180UH045XE36A	5733991
XC17-024-230	TXV	24,600	17.00	14.00	CH33-31A	SL280UH070V36A	3946676
XC17-024-230	TXV	24,600	17.00	14.00	CH33-31A	SL280UH070XV36A	4037936
XC17-024-230	TXV	24,000	15.20	12.70	CH33-31B		3844016
XC17-024-230	TXV	24,600	17.00	14.00	CH33-31B	EL180UH070E36B	5734271
XC17-024-230	TXV	24,600	17.00	14.00	CH33-31B	EL180UH070XE36B	5734694
XC17-024-230	TXV	24,600	17.00	14.00	CH33-31B	EL195UH070XE36B	4694367
XC17-024-230	TXV	24,600	17.00	14.00	CH33-31B	EL296UH070XE36B	5647355
XC17-024-230	TXV	25,000	17.00	14.00	CH33-31B	SL280UH090V36B	3946677
XC17-024-230	TXV	23,800	17.00	14.00	CH33-36	EL296UH045XV36B	5149402
XC17-024-230	TXV	23,800	17.20	14.20	CH33-36	EL296UH070XV36B	5058711
XC17-024-230	TXV	24,000	17.50	14.50	CH33-36	EL296UH090XV36C	5058712
XC17-024-230	TXV	23,800	17.00	14.00	CH33-36	SLP98UH070XV36B	5139263
XC17-024-230	TXV	24,000	17.00	14.00	CH33-36	SLP98UH090XV36C	5139264
XC17-024-230	TXV	23,400	15.00	12.50	CH33-36A		3844017
XC17-024-230	TXV	23,800	16.00	14.00	CH33-36A	EL180UH045E36A	5733596
XC17-024-230	TXV	23,800	16.00	14.00	CH33-36A	EL180UH045XE36A	5733992
XC17-024-230	TXV	23,800	16.00	14.00	CH33-36A	SL280UH070V36A	3946678
XC17-024-230	TXV	23,800	16.00	14.00	CH33-36A	SL280UH070XV36A	4037937
XC17-024-230	TXV	23,400	15.00	12.50	CH33-36B		3844018

### NOTES:

TXV = Matched with Thermostatic Expansion Valve.

RFC = Matched with RFC metering device.

Ratings are AHRI Certified to AHRI Standard 210/240 (with 25 ft. of connecting refrigerant lines); 95°F outdoor air temperature, 80°F db / 67°F wb entering evaporator air.

All ratings include the use of a blower time delay relay (TDR). All Lennox variable-speed furnaces and Air Handlers have time delay capabilities. Other Furnaces and Air Handlers may require an optional time delay relay (**58M81**) for field installation. See furnace or air handler specifications to determine if relay is needed.

Also see Expansion Valve Kit Usage Table.

## AHRI SYSTEM MATCHES

NOTE - For the latest up-to-date system matches please visit the AHRI web site at <http://www.ahridirectory.org>

Model No.	Expansion Device	Capacity	SEER	EER	Coil or Air Handler	Furnace	AHRI Reference
XC17-024-230	TXV	23,600	16.00	14.00	CH33-36B	EL180UH070E36B	5734267
XC17-024-230	TXV	23,600	16.00	14.00	CH33-36B	EL180UH070XE36B	5734704
XC17-024-230	TXV	23,800	17.00	14.00	CH33-36B	EL195UH070XE36B	4694368
XC17-024-230	TXV	23,800	17.00	14.00	CH33-36B	EL296UH070XE36B	5647356
XC17-024-230	TXV	24,200	17.00	14.00	CH33-36B	SL280UH090V36B	3946679
XC17-024-230	TXV	23,600	16.00	13.50	CH33-36B	SL280UH090V48B	7425305
XC17-024-230	TXV	23,600	15.00	12.70	CH33-36C		3844019
XC17-024-230	TXV	23,000	14.50	12.50	CH35-18A		7165409
XC17-024-230	TXV	23,600	16.00	13.00	CH35-18A	EL180UH045E36A	7165410
XC17-024-230	TXV	23,600	17.00	13.00	CH35-18A	SL280UH070V36A	7165651
XC17-024-230	TXV	23,600	15.10	12.50	CH35-24A		7165411
XC17-024-230	TXV	24,000	17.00	14.00	CH35-24A	EL180UH045E36A	7165412
XC17-024-230	TXV	24,000	17.00	14.00	CH35-24A	SL280UH070V36A	7165652
XC17-024-230	TXV	23,400	15.00	12.50	CH35-24B		7165413
XC17-024-230	TXV	24,000	17.00	14.00	CH35-24B	EL180UH070E36B	7165417
XC17-024-230	TXV	24,000	17.00	14.00	CH35-24B	EL195UH070XE36B	7165414
XC17-024-230	TXV	24,000	17.00	14.00	CH35-24B	EL296UH045XV36B	7165416
XC17-024-230	TXV	24,000	17.00	14.00	CH35-24B	EL296UH070XE36B	7165415
XC17-024-230	TXV	24,000	17.00	14.00	CH35-24B	SL280UH090V36B	7165653
XC17-024-230	TXV	23,800	16.00	13.00	CH35-24B	SL280UH090V48B	7165418
XC17-024-230	TXV	24,000	17.00	14.00	CH35-24B	SLP98UH070XV36B	7165419
XC17-024-230	TXV	24,000	15.10	13.00	CH35-30A		7165420
XC17-024-230	TXV	24,000	17.00	14.00	CH35-30A	EL180UH045E36A	7165421
XC17-024-230	TXV	24,000	17.00	14.00	CH35-30A	SL280UH070V36A	7165654
XC17-024-230	TXV	24,000	15.10	12.50	CH35-30B		7165422
XC17-024-230	TXV	24,000	17.00	14.00	CH35-30B	EL180UH070E36B	7165426
XC17-024-230	TXV	24,000	17.00	14.00	CH35-30B	EL195UH070XE36B	7165423
XC17-024-230	TXV	24,000	17.00	14.00	CH35-30B	EL296UH045XV36B	7165425
XC17-024-230	TXV	24,000	17.00	14.00	CH35-30B	EL296UH070XE36B	7165424
XC17-024-230	TXV	24,000	17.00	14.00	CH35-30B	SL280UH090V48B	7165427
XC17-024-230	TXV	24,000	17.00	14.00	CH35-30B	SLP98UH070XV36B	7165428
XC17-024-230	TXV	23,400	15.00	12.50	CH35-36A		7165429
XC17-024-230	TXV	24,000	16.00	13.00	CH35-36A	EL180UH045E36A	7165430
XC17-024-230	TXV	24,000	17.00	14.00	CH35-36A	SL280UH070V36A	7165655
XC17-024-230	TXV	23,400	15.00	12.50	CH35-36B		7165431
XC17-024-230	TXV	24,000	17.00	14.00	CH35-36B	EL180UH070E36B	7165433
XC17-024-230	TXV	24,000	17.00	14.00	CH35-36B	EL195UH070XE36B	7165436
XC17-024-230	TXV	24,000	17.00	14.00	CH35-36B	EL296UH045XV36B	7165432
XC17-024-230	TXV	24,000	17.00	14.00	CH35-36B	EL296UH070XE36B	7165437
XC17-024-230	TXV	24,000	17.00	14.00	CH35-36B	SL280UH090V36B	7165656
XC17-024-230	TXV	23,800	17.00	13.00	CH35-36B	SL280UH090V48B	7165434
XC17-024-230	TXV	24,000	17.00	14.00	CH35-36B	SLP98UH070XV36B	7165435
XC17-024-230	TXV	23,600	15.10	12.50	CH35-36C		7165438
XC17-024-230	TXV	24,000	17.00	14.00	CH35-36C	SLP98UH090XV36C	7165657
XC17-024-230	TXV	22,600	15.70	13.00	CR33-24	EL180DF045E36A	5733312
XC17-024-230	TXV	22,200	15.70	13.20	CR33-24	EL180DF070E36B	5733378
XC17-024-230	TXV	22,200	15.50	13.00	CR33-24	EL195DF045XE36B	4694362
XC17-024-230	TXV	22,000	15.50	13.00	CR33-24	EL195DF070XE48B	4694364
XC17-024-230	TXV	22,200	15.50	13.00	CR33-24	EL296DF045XE36B	5647367

### NOTES:

TXV = Matched with Thermostatic Expansion Valve.

RFC = Matched with RFC metering device.

Ratings are AHRI Certified to AHRI Standard 210/240 (with 25 ft. of connecting refrigerant lines); 95°F outdoor air temperature, 80°F db / 67°F wb entering evaporator air.

All ratings include the use of a blower time delay relay (TDR). All Lennox variable-speed furnaces and Air Handlers have time delay capabilities. Other Furnaces and Air Handlers may require an optional time delay relay (**58M81**) for field installation. See furnace or air handler specifications to determine if relay is needed.

Also see Expansion Valve Kit Usage Table.

## AHRI SYSTEM MATCHES

NOTE - For the latest up-to-date system matches please visit the AHRI web site at <http://www.ahridirectory.org>

Model No.	Expansion Device	Capacity	SEER	EER	Coil or Air Handler	Furnace	AHRI Reference
XC17-024-230	TXV	22,800	16.00	13.00	CR33-24	EL296DF045XV36B	5587060
XC17-024-230	TXV	22,000	15.50	13.00	CR33-24	EL296DF070XE48B	5647352
XC17-024-230	TXV	22,400	16.20	13.20	CR33-24	SLP98DF070XV36B	5140478
XC17-024-230	TXV	23,600	15.20	12.70	CR33-30/36		3844007
XC17-024-230	TXV	23,800	17.00	14.00	CR33-30/36	EL180DF045E36A	5733313
XC17-024-230	TXV	24,200	17.00	14.00	CR33-30/36	EL180DF070E36B	5733380
XC17-024-230	TXV	23,800	17.00	14.00	CR33-30/36	EL195DF045XE36B	4694363
XC17-024-230	TXV	24,000	17.00	14.00	CR33-30/36	EL195DF070XE48B	4694365
XC17-024-230	TXV	23,800	17.00	14.00	CR33-30/36	EL296DF045XE36B	5647351
XC17-024-230	TXV	24,400	17.00	14.00	CR33-30/36	EL296DF045XV36B	5587061
XC17-024-230	TXV	24,000	17.00	14.00	CR33-30/36	EL296DF070XE48B	5647353
XC17-024-230	TXV	24,400	17.00	14.00	CR33-30/36	EL296DF070XV48B	5587063
XC17-024-230	TXV	24,600	16.00	14.00	CR33-30/36	SL280DF070V36A	3946671
XC17-024-230	TXV	24,000	17.50	14.50	CR33-30/36	SLP98DF070XV36B	5140479
XC17-024-230	TXV	24,000	17.50	14.50	CR33-30/36	SLP98DF090XV36C	5140480
XC17-024-230	TXV	22,400	15.70	13.00	CX34-18/24	EL180UH045E36A	5733597
XC17-024-230	TXV	22,400	15.70	13.00	CX34-18/24	EL180UH045XE36A	5733993
XC17-024-230	TXV	22,600	16.00	13.00	CX34-18/24	EL296UH045XV36B	5149394
XC17-024-230	TXV	22,600	16.20	13.50	CX34-18/24	EL296UH070XV36B	5058702
XC17-024-230	TXV	22,600	16.20	13.50	CX34-18/24	EL296UH090XV36C	5058703
XC17-024-230	TXV	22,600	16.00	13.00	CX34-18/24	SL280UH070V36A	3946658
XC17-024-230	TXV	22,600	16.00	13.00	CX34-18/24	SL280UH070XV36A	4037926
XC17-024-230	TXV	22,400	16.00	13.00	CX34-18/24	SL280UH090V36B	3946659
XC17-024-230	TXV	22,600	16.00	13.50	CX34-18/24	SLP98UH070XV36B	5139242
XC17-024-230	TXV	22,600	16.00	13.50	CX34-18/24	SLP98UH090XV36C	5139255
XC17-024-230	TXV	23,000	14.70	12.20	CX34-19		3843993
XC17-024-230	TXV	23,600	16.00	13.50	CX34-19	EL180UH045E36A	5733598
XC17-024-230	TXV	23,600	16.00	13.50	CX34-19	EL180UH045XE36A	5733994
XC17-024-230	TXV	23,600	16.00	14.00	CX34-19	SL280UH070V36A	3946660
XC17-024-230	TXV	23,600	17.00	14.00	CX34-19	SL280UH070XV36A	4037927
XC17-024-230	TXV	23,400	15.00	12.50	CX34-25		3843994
XC17-024-230	TXV	23,800	17.00	14.00	CX34-25	CBWMV-36B-070	4208022
XC17-024-230	TXV	24,000	17.00	14.00	CX34-25	EL180UH045E36A	5733600
XC17-024-230	TXV	24,000	17.00	14.00	CX34-25	EL180UH045XE36A	5733995
XC17-024-230	TXV	23,800	17.00	14.00	CX34-25	EL180UH070E36B	5734272
XC17-024-230	TXV	23,800	17.00	14.00	CX34-25	EL180UH070XE36B	5734695
XC17-024-230	TXV	23,800	17.00	14.00	CX34-25	EL195UH070XE36B	4694357
XC17-024-230	TXV	24,000	17.00	14.00	CX34-25	EL296UH045XV36B	5149395
XC17-024-230	TXV	23,800	17.00	14.00	CX34-25	EL296UH070XE36B	5647362
XC17-024-230	TXV	24,000	17.20	14.50	CX34-25	EL296UH070XV36B	5058704
XC17-024-230	TXV	24,000	16.00	14.00	CX34-25	SL280UH070V36A	3946661
XC17-024-230	TXV	24,000	17.00	14.00	CX34-25	SL280UH070XV36A	4037928
XC17-024-230	TXV	24,400	17.00	14.00	CX34-25	SL280UH090V36B	3946662
XC17-024-230	TXV	23,800	16.00	14.00	CX34-25	SL280UH090V48B	4249275
XC17-024-230	TXV	23,800	16.00	14.00	CX34-25	SLO185B79/105V42	7109778
XC17-024-230	TXV	24,000	17.00	14.00	CX34-25	SLP98UH070XV36B	5139256
XC17-024-230	TXV	23,800	16.00	13.50	CX34-25B	EL296UH045XE36B	7492825
XC17-024-230	TXV	22,600	14.50	12.20	CX34-30		3843995
XC17-024-230	TXV	23,200	16.00	13.50	CX34-30	EL180UH045E36A	5733601

### NOTES:

TXV = Matched with Thermostatic Expansion Valve.

RFC = Matched with RFC metering device.

Ratings are AHRI Certified to AHRI Standard 210/240 (with 25 ft. of connecting refrigerant lines); 95°F outdoor air temperature, 80°F db / 67°F wb entering evaporator air.

All ratings include the use of a blower time delay relay (TDR). All Lennox variable-speed furnaces and Air Handlers have time delay capabilities. Other Furnaces and Air Handlers may require an optional time delay relay (**58M81**) for field installation. See furnace or air handler specifications to determine if relay is needed.

Also see Expansion Valve Kit Usage Table.



## AHRI SYSTEM MATCHES

NOTE - For the latest up-to-date system matches please visit the AHRI web site at <http://www.ahridirectory.org>

Model No.	Expansion Device	Capacity	SEER	EER	Coil or Air Handler	Furnace	AHRI Reference
XC17-024-230	TXV	23,200	16.00	13.50	CX34-30	EL180UH045XE36A	5733996
XC17-024-230	TXV	22,800	16.00	13.50	CX34-30	EL180UH070E36B	5734273
XC17-024-230	TXV	22,800	16.00	13.50	CX34-30	EL180UH070XE36B	5734696
XC17-024-230	TXV	23,000	16.00	13.50	CX34-30	EL195UH070XE36B	4694358
XC17-024-230	TXV	23,000	16.00	13.50	CX34-30	EL296UH045XV36B	5149396
XC17-024-230	TXV	23,000	16.00	13.50	CX34-30	EL296UH070XE36B	5647363
XC17-024-230	TXV	23,200	16.50	13.70	CX34-30	EL296UH070XV36B	5058705
XC17-024-230	TXV	23,000	16.50	13.70	CX34-30	EL296UH090XV36C	5058706
XC17-024-230	TXV	23,200	16.00	13.50	CX34-30	SL280UH070V36A	3946663
XC17-024-230	TXV	23,200	16.00	13.50	CX34-30	SL280UH070XV36A	4037929
XC17-024-230	TXV	23,000	16.00	13.50	CX34-30	SL280UH090V36B	3946664
XC17-024-230	TXV	23,000	16.00	13.00	CX34-30	SL280UH090V48B	4249276
XC17-024-230	TXV	23,200	16.00	13.50	CX34-30	SLP98UH070XV36B	5139257
XC17-024-230	TXV	23,000	16.00	13.50	CX34-30	SLP98UH090XV36C	5139258
XC17-024-230	TXV	23,800	15.20	12.70	CX34-31		3843996
XC17-024-230	TXV	24,400	17.00	14.00	CX34-31	EL180UH045E36A	5733586
XC17-024-230	TXV	24,400	17.00	14.00	CX34-31	EL180UH045XE36A	5733985
XC17-024-230	TXV	24,200	17.00	14.00	CX34-31	EL180UH070E36B	5734266
XC17-024-230	TXV	24,200	17.00	14.00	CX34-31	EL180UH070XE36B	5734703
XC17-024-230	TXV	24,400	17.00	14.00	CX34-31	EL296UH045XV36B	5149397
XC17-024-230	TXV	24,400	17.70	14.50	CX34-31	EL296UH070XV36B	5058707
XC17-024-230	TXV	24,400	17.00	14.50	CX34-31	SL280UH070V36A	3946665
XC17-024-230	TXV	24,400	17.00	14.50	CX34-31	SL280UH070XV36A	4037930
XC17-024-230	TXV	24,800	17.00	14.50	CX34-31	SL280UH090V36B	3946666
XC17-024-230	TXV	24,200	17.00	14.00	CX34-31	SL280UH090V48B	4249277
XC17-024-230	TXV	24,200	17.00	14.00	CX34-31	SLO185B79/105V42	7109779
XC17-024-230	TXV	24,400	17.00	14.00	CX34-31	SLP98UH070XV36B	5139259
XC17-024-230	TXV	24,000	17.00	14.00	CX34-31B	EL195UH045XE36B	8028344
XC17-024-230	TXV	24,000	17.00	14.00	CX34-31B	EL195UH070XE36B	8006301
XC17-024-230	TXV	24,000	17.00	14.00	CX34-31B	EL296UH045XE36B	8028346
XC17-024-230	TXV	24,000	17.00	14.00	CX34-31B	EL296UH070XE36B	8006303
XC17-024-230	TXV	23,400	15.00	12.50	CX34-36		3843997
XC17-024-230	TXV	23,800	16.00	14.00	CX34-36	EL180UH045E36A	5733588
XC17-024-230	TXV	23,800	16.00	14.00	CX34-36	EL180UH045XE36A	5733986
XC17-024-230	TXV	23,800	16.00	14.00	CX34-36	EL180UH070E36B	5734268
XC17-024-230	TXV	23,800	16.00	14.00	CX34-36	EL180UH070XE36B	5734691
XC17-024-230	TXV	24,000	17.00	14.00	CX34-36	EL195UH070XE36B	4694360
XC17-024-230	TXV	23,800	17.00	14.00	CX34-36	EL296UH045XV36B	5149398
XC17-024-230	TXV	24,000	17.00	14.00	CX34-36	EL296UH070XE36B	5647365
XC17-024-230	TXV	24,000	17.00	14.00	CX34-36	SL280UH070V36A	3946667
XC17-024-230	TXV	24,000	17.00	14.00	CX34-36	SL280UH070XV36A	4037931
XC17-024-230	TXV	24,200	17.00	14.00	CX34-36	SL280UH090V36B	3946668
XC17-024-230	TXV	23,800	16.00	14.00	CX34-36	SL280UH090V48B	4249278
XC17-024-230	TXV	23,800	16.00	14.00	CX34-36	SLO185B79/105V42	7109780
XC17-024-230	TXV	24,000	15.20	12.70	CX34-38		3843998
XC17-024-230	TXV	24,600	17.00	14.00	CX34-38	EL180UH045E36A	5733589
XC17-024-230	TXV	24,600	17.00	14.00	CX34-38	EL180UH045XE36A	5733987
XC17-024-230	TXV	24,400	17.00	14.00	CX34-38	EL180UH070E36B	5734269
XC17-024-230	TXV	24,400	17.00	14.00	CX34-38	EL180UH070XE36B	5734692

### NOTES:

TXV = Matched with Thermostatic Expansion Valve.

RFC = Matched with RFC metering device.

Ratings are AHRI Certified to AHRI Standard 210/240 (with 25 ft. of connecting refrigerant lines); 95°F outdoor air temperature, 80°F db / 67°F wb entering evaporator air.

All ratings include the use of a blower time delay relay (TDR). All Lennox variable-speed furnaces and Air Handlers have time delay capabilities. Other Furnaces and Air Handlers may require an optional time delay relay (**58M81**) for field installation. See furnace or air handler specifications to determine if relay is needed.

Also see Expansion Valve Kit Usage Table.

## AHRI SYSTEM MATCHES

NOTE - For the latest up-to-date system matches please visit the AHRI web site at <http://www.ahridirectory.org>

Model No.	Expansion Device	Capacity	SEER	EER	Coil or Air Handler	Furnace	AHRI Reference
XC17-024-230	TXV	24,600	17.00	13.50	CX34-38	EL195UH070XE36B	4694361
XC17-024-230	TXV	24,600	17.00	14.00	CX34-38	EL296UH045XV36B	5149399
XC17-024-230	TXV	24,600	17.00	13.50	CX34-38	EL296UH070XE36B	5647366
XC17-024-230	TXV	24,600	17.70	14.70	CX34-38	EL296UH070XV36B	5058708
XC17-024-230	TXV	24,600	17.00	14.50	CX34-38	SL280UH070V36A	3946669
XC17-024-230	TXV	24,600	17.00	14.50	CX34-38	SL280UH070XV36A	4037932
XC17-024-230	TXV	25,000	18.00	14.00	CX34-38	SL280UH090V36B	3946670
XC17-024-230	TXV	24,400	17.00	14.00	CX34-38	SL280UH090V48B	4249279
XC17-024-230	TXV	24,400	17.00	14.00	CX34-38	SLO185B79/105V42	7109781
XC17-024-230	TXV	24,600	17.00	14.00	CX34-38	SLP98UH070XV36B	5139260
XC17-024-230	TXV	22,600	16.00	13.00	CX35-18/24A		8255596
XC17-024-230	TXV	22,400	15.70	13.00	CX35-18/24A	EL180UH045E36A	8255593
XC17-024-230	TXV	22,600	16.00	13.00	CX35-18/24A	SL280UH070V36A	8255594
XC17-024-230	TXV	22,600	16.00	13.00	CX35-18/24A	SL280UH070XV36A	8255595
XC17-024-230	TXV	22,600	16.00	13.00	CX35-18/24B		8255600
XC17-024-230	TXV	22,600	16.20	13.50	CX35-18/24B	EL296UH045XV36B	8255597
XC17-024-230	TXV	22,400	16.00	13.00	CX35-18/24B	SL280UH090V36B	8255598
XC17-024-230	TXV	22,400	16.00	13.00	CX35-18/24B	SL280UH090XV36B	8255729
XC17-024-230	TXV	22,600	16.00	13.50	CX35-18/24B	SLP98UH070XV36B	8255599
XC17-024-230	TXV	23,400	15.00	12.50	CX35-24A		8255604
XC17-024-230	TXV	24,000	17.00	14.00	CX35-24A	EL180UH045E36A	8255601
XC17-024-230	TXV	24,000	16.00	14.00	CX35-24A	SL280UH070V36A	8255602
XC17-024-230	TXV	24,000	17.00	14.00	CX35-24A	SL280UH070XV36A	8255603
XC17-024-230	TXV	23,400	15.00	12.50	CX35-24B		8255613
XC17-024-230	TXV	23,800	17.00	14.00	CX35-24B	CBWMV-36B-070	8255605
XC17-024-230	TXV	23,800	17.00	14.00	CX35-24B	EL180UH070E36B	8255606
XC17-024-230	TXV	23,800	17.00	14.00	CX35-24B	EL195UH070XE36B	8255607
XC17-024-230	TXV	23,800	16.00	13.50	CX35-24B	EL296UH045XV36B	8255730
XC17-024-230	TXV	23,800	17.00	14.00	CX35-24B	EL296UH070XE36B	8255608
XC17-024-230	TXV	24,400	17.00	14.00	CX35-24B	SL280UH090V36B	8255609
XC17-024-230	TXV	24,400	17.00	14.00	CX35-24B	SL280UH090V48B	8255611
XC17-024-230	TXV	24,400	17.00	14.00	CX35-24B	SL280UH090XV36B	8255610
XC17-024-230	TXV	24,000	17.00	14.00	CX35-24B	SLP98UH070XV36B	8255612
XC17-024-230	TXV	23,800	15.20	12.70	CX35-30A		8255616
XC17-024-230	TXV	24,400	17.00	14.50	CX35-30A	SL280UH070V36A	8255614
XC17-024-230	TXV	24,400	17.00	14.50	CX35-30A	SL280UH070XV36A	8255615
XC17-024-230	TXV	23,800	15.20	12.70	CX35-30B		8255627
XC17-024-230	TXV	23,800	17.00	14.00	CX35-30B	CBWMV-24B-040	8255617
XC17-024-230	TXV	23,800	17.00	14.00	CX35-30B	CBWMV-36B-070	8255618
XC17-024-230	TXV	24,200	17.00	14.00	CX35-30B	EL180UH070E36B	8255619
XC17-024-230	TXV	24,000	17.00	14.00	CX35-30B	EL195UH070XE36B	8255620
XC17-024-230	TXV	24,000	17.00	14.00	CX35-30B	EL296UH045XE36B	8255621
XC17-024-230	TXV	24,000	17.00	14.00	CX35-30B	EL296UH070XE36B	8255622
XC17-024-230	TXV	24,800	17.00	14.50	CX35-30B	SL280UH090V36B	8255623
XC17-024-230	TXV	24,800	17.00	14.50	CX35-30B	SL280UH090XV36B	8255624
XC17-024-230	TXV	24,800	17.00	14.50	CX35-30B	SL280UH090XV48B	8255625
XC17-024-230	TXV	24,400	17.00	14.00	CX35-30B	SLP98UH070XV36B	8255626
XC17-024-230	TXV	24,000	15.20	12.70	CX35-36A		8255631
XC17-024-230	TXV	24,600	17.00	14.00	CX35-36A	EL180UH045XE36A	8255628

### NOTES:

TXV = Matched with Thermostatic Expansion Valve.

RFC = Matched with RFC metering device.

Ratings are AHRI Certified to AHRI Standard 210/240 (with 25 ft. of connecting refrigerant lines); 95°F outdoor air temperature, 80°F db / 67°F wb entering evaporator air.

All ratings include the use of a blower time delay relay (TDR). All Lennox variable-speed furnaces and Air Handlers have time delay capabilities. Other Furnaces and Air Handlers may require an optional time delay relay (**58M81**) for field installation. See furnace or air handler specifications to determine if relay is needed.

Also see Expansion Valve Kit Usage Table.

## AHRI SYSTEM MATCHES

NOTE - For the latest up-to-date system matches please visit the AHRI web site at <http://www.ahridirectory.org>

Model No.	Expansion Device	Capacity	SEER	EER	Coil or Air Handler	Furnace	AHRI Reference
XC17-024-230	TXV	24,600	17.00	14.50	CX35-36A	SL280UH070V36A	8255629
XC17-024-230	TXV	24,600	17.00	14.50	CX35-36A	SL280UH070XV36A	8255630
XC17-024-230	TXV	24,000	15.20	12.70	CX35-36B		8255640
XC17-024-230	TXV	24,400	17.00	14.00	CX35-36B	EL180UH070E36B	8255632
XC17-024-230	TXV	24,600	17.00	13.50	CX35-36B	EL195UH070XE36B	8255633
XC17-024-230	TXV	24,600	17.70	14.70	CX35-36B	EL296UH045XV36B	8255634
XC17-024-230	TXV	24,600	17.70	14.70	CX35-36B	EL296UH070XE36B	8255635
XC17-024-230	TXV	25,000	18.00	14.00	CX35-36B	SL280UH090V36B	8255636
XC17-024-230	TXV	25,000	18.00	14.00	CX35-36B	SL280UH090V48B	8255638
XC17-024-230	TXV	25,000	18.00	14.00	CX35-36B	SL280UH090XV36B	8255637
XC17-024-230	TXV	24,600	17.00	14.00	CX35-36B	SLP98UH070XV36B	8255639
XC17-030-230	TXV	27,600	16.00	13.00	C33-25	EL180UH045E36A	5733789
XC17-030-230	TXV	27,600	16.00	13.00	C33-25	EL180UH045XE36A	5734091
XC17-030-230	TXV	27,600	16.00	13.00	C33-25	EL180UH070E36B	5734487
XC17-030-230	TXV	27,600	16.00	13.00	C33-25	EL180UH070XE36B	5734830
XC17-030-230	TXV	27,600	16.00	13.00	C33-25	EL180UH090E48B	5735536
XC17-030-230	TXV	27,600	16.00	13.00	C33-25	EL180UH090XE48B	5737416
XC17-030-230	TXV	27,600	15.70	13.00	C33-25	EL195UH070XE36B	5501360
XC17-030-230	TXV	27,600	15.70	13.00	C33-25	EL296UH070XE36B	5648732
XC17-030-230	TXV	27,600	16.00	13.00	C33-25	EL296UH070XV36B	5501399
XC17-030-230	TXV	27,600	16.00	13.00	C33-25	SL280UH070V36A	5501556
XC17-030-230	TXV	27,600	16.00	13.00	C33-25	SL280UH070XV36A	5501571
XC17-030-230	TXV	27,800	16.00	13.00	C33-25	SL280UH090V36B	5501586
XC17-030-230	TXV	27,800	16.00	13.00	C33-25	SL280UH090V48B	5537440
XC17-030-230	TXV	27,600	16.00	13.00	C33-25	SLP98UH070XV36B	5501636
XC17-030-230	TXV	26,600	15.20	12.50	C33-30	EL180UH045E36A	5733791
XC17-030-230	TXV	26,600	15.20	12.50	C33-30	EL180UH045XE36A	5734092
XC17-030-230	TXV	26,600	15.20	12.50	C33-30	EL195UH045XE36B	5501337
XC17-030-230	TXV	26,800	15.20	12.50	C33-30	EL195UH070XE36B	5501361
XC17-030-230	TXV	26,600	15.20	12.50	C33-30	EL296UH045XE36B	5648709
XC17-030-230	TXV	26,800	15.20	12.50	C33-30	EL296UH070XE36B	5648733
XC17-030-230	TXV	26,800	15.70	13.00	C33-30	EL296UH070XV36B	5501400
XC17-030-230	TXV	27,000	16.00	13.00	C33-30	EL296UH090XV36B	6468612
XC17-030-230	TXV	26,800	15.50	12.50	C33-30	EL296UH090XV48C	6468614
XC17-030-230	TXV	27,000	15.70	13.00	C33-30	SL280UH070V36A	5501557
XC17-030-230	TXV	27,000	15.70	13.00	C33-30	SL280UH070XV36A	5501572
XC17-030-230	TXV	26,600	15.70	13.00	C33-30	SL280UH090V36B	5501587
XC17-030-230	TXV	26,800	15.70	13.00	C33-30	SLP98UH070XV36B	5501637
XC17-030-230	TXV	27,000	16.00	13.00	C33-30	SLP98UH090XV36C	6478812
XC17-030-230	TXV	26,800	15.50	12.50	C33-30	SLP98UH090XV48C	6478814
XC17-030-230	TXV	27,800	15.00	12.20	C33-31		5501670
XC17-030-230	TXV	28,400	16.00	13.50	C33-31	CBWMV-36B-070	5501331
XC17-030-230	TXV	28,200	16.00	13.50	C33-31	EL180UH045E36A	5733792
XC17-030-230	TXV	28,200	16.00	13.50	C33-31	EL180UH045XE36A	5734093
XC17-030-230	TXV	28,400	17.00	13.50	C33-31	EL180UH070E36B	5734488
XC17-030-230	TXV	28,400	17.00	13.50	C33-31	EL180UH070XE36B	5734831
XC17-030-230	TXV	28,400	16.00	13.50	C33-31	EL180UH090E48B	5735538
XC17-030-230	TXV	28,400	16.00	13.50	C33-31	EL180UH090XE48B	5737418
XC17-030-230	TXV	28,400	16.00	13.50	C33-31	EL195UH045XE36B	5501338

### NOTES:

TXV = Matched with Thermostatic Expansion Valve.

RFC = Matched with RFC metering device.

Ratings are AHRI Certified to AHRI Standard 210/240 (with 25 ft. of connecting refrigerant lines); 95°F outdoor air temperature, 80°F db / 67°F wb entering evaporator air.

All ratings include the use of a blower time delay relay (TDR). All Lennox variable-speed furnaces and Air Handlers have time delay capabilities. Other Furnaces and Air Handlers may require an optional time delay relay (**58M81**) for field installation. See furnace or air handler specifications to determine if relay is needed.

Also see Expansion Valve Kit Usage Table.

## AHRI SYSTEM MATCHES

NOTE - For the latest up-to-date system matches please visit the AHRI web site at <http://www.ahridirectory.org>

Model No.	Expansion Device	Capacity	SEER	EER	Coil or Air Handler	Furnace	AHRI Reference
XC17-030-230	TXV	28,400	16.00	13.50	C33-31	EL296UH045XE36B	5648710
XC17-030-230	TXV	28,200	16.00	13.50	C33-31	EL296UH070XV36B	5501401
XC17-030-230	TXV	28,400	16.00	13.50	C33-31	SL280UH070V36A	5501558
XC17-030-230	TXV	28,400	16.00	13.50	C33-31	SL280UH070XV36A	5501573
XC17-030-230	TXV	28,400	17.00	13.50	C33-31	SL280UH090V36B	5501588
XC17-030-230	TXV	28,600	16.00	13.50	C33-31	SL280UH090V48B	5501610
XC17-030-230	TXV	28,000	16.00	13.00	C33-31	SLO185B79/105V42	7109792
XC17-030-230	TXV	28,200	16.00	13.50	C33-31	SLP98UH070XV36B	5501638
XC17-030-230	TXV	27,600	16.00	13.00	C33-36	EL180UH045E36A	5733794
XC17-030-230	TXV	27,600	16.00	13.00	C33-36	EL180UH045XE36A	5734094
XC17-030-230	TXV	27,800	16.00	13.50	C33-36	EL180UH070E36B	5734489
XC17-030-230	TXV	27,800	16.00	13.50	C33-36	EL180UH070XE36B	5734832
XC17-030-230	TXV	27,800	16.00	13.50	C33-36	EL180UH090E48B	5735540
XC17-030-230	TXV	27,800	16.00	13.50	C33-36	EL180UH090XE48B	5737420
XC17-030-230	TXV	27,800	16.00	13.00	C33-36	EL195UH045XE36B	5501339
XC17-030-230	TXV	27,600	15.70	13.00	C33-36	EL195UH070XE36B	5501362
XC17-030-230	TXV	27,800	16.00	13.00	C33-36	EL296UH045XE36B	5648711
XC17-030-230	TXV	27,600	15.70	13.00	C33-36	EL296UH070XE36B	5648734
XC17-030-230	TXV	27,600	16.00	13.00	C33-36	EL296UH070XV36B	5501402
XC17-030-230	TXV	28,000	16.00	13.50	C33-36	EL296UH090XV36C	5501660
XC17-030-230	TXV	28,000	16.00	13.50	C33-36	EL296UH110XV48C	6980511
XC17-030-230	TXV	27,600	16.00	13.00	C33-36	SL280UH070V36A	5501559
XC17-030-230	TXV	27,600	16.00	13.00	C33-36	SL280UH070XV36A	5501574
XC17-030-230	TXV	27,800	16.00	13.50	C33-36	SL280UH090V36B	5501589
XC17-030-230	TXV	27,800	16.00	13.50	C33-36	SL280UH090V48B	5501611
XC17-030-230	TXV	27,600	16.00	13.00	C33-36	SLP98UH070XV36B	5501639
XC17-030-230	TXV	27,600	16.00	13.50	C33-36	SLP98UH090XV36C	5501423
XC17-030-230	TXV	27,600	16.00	13.00	C33-36	SLP98UH090XV48C	6988332
XC17-030-230	TXV	28,000	15.00	12.50	C33-38		5501672
XC17-030-230	TXV	28,400	16.00	13.50	C33-38	EL180UH045E36A	5733796
XC17-030-230	TXV	28,400	16.00	13.50	C33-38	EL180UH045XE36A	5734095
XC17-030-230	TXV	28,600	17.00	13.50	C33-38	EL180UH070E36B	5734490
XC17-030-230	TXV	28,600	17.00	13.50	C33-38	EL180UH070XE36B	5734833
XC17-030-230	TXV	28,600	17.00	14.00	C33-38	EL180UH090E48B	5735542
XC17-030-230	TXV	28,600	17.00	14.00	C33-38	EL180UH090XE48B	5737421
XC17-030-230	TXV	28,600	16.00	13.50	C33-38	EL195UH045XE36B	5501340
XC17-030-230	TXV	28,400	16.00	13.50	C33-38	EL195UH070XE36B	5501363
XC17-030-230	TXV	28,600	16.00	13.50	C33-38	EL296UH045XE36B	5648712
XC17-030-230	TXV	28,400	16.00	13.50	C33-38	EL296UH070XE36B	5648735
XC17-030-230	TXV	28,400	16.00	13.50	C33-38	EL296UH070XV36B	5501403
XC17-030-230	TXV	28,600	16.00	13.50	C33-38	SL280UH070V36A	5501560
XC17-030-230	TXV	28,600	16.00	13.50	C33-38	SL280UH070XV36A	5501575
XC17-030-230	TXV	28,600	17.00	14.00	C33-38	SL280UH090V36B	5501590
XC17-030-230	TXV	28,800	17.00	14.00	C33-38	SL280UH090V48B	5501612
XC17-030-230	TXV	28,400	16.00	13.00	C33-38	SLO185B79/105V42	7109794
XC17-030-230	TXV	28,400	16.00	13.50	C33-38	SLP98UH070XV36B	5501640
XC17-030-230	TXV	27,800	16.00	13.50	C33-42	EL180UH070E36B	5734491
XC17-030-230	TXV	27,800	16.00	13.50	C33-42	EL180UH070XE36B	5734834
XC17-030-230	TXV	27,800	16.00	13.50	C33-42	EL180UH090E48B	5735544

### NOTES:

TXV = Matched with Thermostatic Expansion Valve.

RFC = Matched with RFC metering device.

Ratings are AHRI Certified to AHRI Standard 210/240 (with 25 ft. of connecting refrigerant lines); 95°F outdoor air temperature, 80°F db / 67°F wb entering evaporator air.

All ratings include the use of a blower time delay relay (TDR). All Lennox variable-speed furnaces and Air Handlers have time delay capabilities. Other Furnaces and Air Handlers may require an optional time delay relay (**58M81**) for field installation. See furnace or air handler specifications to determine if relay is needed.

Also see Expansion Valve Kit Usage Table.



## AHRI SYSTEM MATCHES

NOTE - For the latest up-to-date system matches please visit the AHRI web site at <http://www.ahridirectory.org>

Model No.	Expansion Device	Capacity	SEER	EER	Coil or Air Handler	Furnace	AHRI Reference
XC17-030-230	TXV	27,800	16.00	13.50	C33-42	EL180UH090XE48B	5737424
XC17-030-230	TXV	27,800	16.00	13.00	C33-42	EL195UH045XE36B	5501341
XC17-030-230	TXV	27,600	15.70	13.00	C33-42	EL195UH070XE36B	5501364
XC17-030-230	TXV	27,800	16.00	13.00	C33-42	EL296UH045XE36B	5648713
XC17-030-230	TXV	27,600	15.70	13.00	C33-42	EL296UH070XE36B	5648736
XC17-030-230	TXV	27,600	16.00	13.00	C33-42	EL296UH070XV36B	5501404
XC17-030-230	TXV	27,800	16.00	13.50	C33-42	SL280UH090V36B	5501591
XC17-030-230	TXV	27,800	16.00	13.50	C33-42	SL280UH090V48B	5501613
XC17-030-230	TXV	27,600	16.00	13.00	C33-42	SLP98UH070XV36B	5501641
XC17-030-230	TXV	28,000	15.00	12.50	C33-43		5501674
XC17-030-230	TXV	28,600	17.00	13.50	C33-43	EL180UH070E36B	5734492
XC17-030-230	TXV	28,600	17.00	13.50	C33-43	EL180UH070XE36B	5734835
XC17-030-230	TXV	28,600	17.00	14.00	C33-43	EL180UH090E48B	5735546
XC17-030-230	TXV	28,600	17.00	14.00	C33-43	EL180UH090XE48B	5737426
XC17-030-230	TXV	28,600	16.00	13.50	C33-43	EL195UH045XE36B	5501342
XC17-030-230	TXV	28,400	16.00	13.50	C33-43	EL195UH070XE36B	5501365
XC17-030-230	TXV	28,600	16.00	13.50	C33-43	EL296UH045XE36B	5648714
XC17-030-230	TXV	28,400	16.00	13.50	C33-43	EL296UH070XE36B	5648737
XC17-030-230	TXV	28,400	16.00	13.50	C33-43	EL296UH070XV36B	5501405
XC17-030-230	TXV	28,800	17.00	14.00	C33-43	EL296UH090XV36C	5501424
XC17-030-230	TXV	29,000	17.00	14.00	C33-43	EL296UH090XV48C	5502714
XC17-030-230	TXV	28,600	17.00	14.00	C33-43	SL280UH090V36B	5501592
XC17-030-230	TXV	28,600	17.00	13.50	C33-43	SL280UH090V48B	5501614
XC17-030-230	TXV	28,400	16.00	13.00	C33-43	SLO185B79/105V42	7109795
XC17-030-230	TXV	28,400	16.00	13.50	C33-43	SLO185UF79/105V42	7109776
XC17-030-230	TXV	28,400	16.00	13.50	C33-43	SLP98UH070XV36B	5501642
XC17-030-230	TXV	28,800	17.00	14.00	C33-43	SLP98UH090XV36C	5501661
XC17-030-230	TXV	29,000	16.00	13.50	C33-43C	SLP98UH090XV48C	8703413
XC17-030-230	TXV	27,800	15.00	12.20	C33-48		5501675
XC17-030-230	TXV	28,400	16.00	13.50	C33-48	EL180UH070E36B	5734493
XC17-030-230	TXV	28,400	16.00	13.50	C33-48	EL180UH070XE36B	5734836
XC17-030-230	TXV	28,400	16.00	13.50	C33-48	EL180UH090E48B	5735548
XC17-030-230	TXV	28,400	16.00	13.50	C33-48	EL180UH090XE48B	5737427
XC17-030-230	TXV	28,400	16.00	13.50	C33-48	EL195UH045XE36B	5501343
XC17-030-230	TXV	28,400	16.00	13.50	C33-48	EL296UH045XE36B	5648715
XC17-030-230	TXV	28,200	16.00	13.50	C33-48	EL296UH070XV36B	5501406
XC17-030-230	TXV	28,400	16.00	13.50	C33-48	EL296UH090XV36C	5501425
XC17-030-230	TXV	28,400	17.00	13.50	C33-48	SL280UH090V36B	5501593
XC17-030-230	TXV	28,400	16.00	13.50	C33-48	SL280UH090V48B	5501615
XC17-030-230	TXV	28,200	16.00	13.50	C33-48	SLP98UH070XV36B	5501643
XC17-030-230	TXV	28,600	16.00	13.50	C33-48	SLP98UH090XV36C	5501662
XC17-030-230	TXV	27,400	14.50	12.20	C35-24A		8255431
XC17-030-230	TXV	27,600	16.00	13.00	C35-24A	EL180UH045E36A	8255428
XC17-030-230	TXV	27,600	16.00	13.00	C35-24A	EL180UH045XE36A	8255427
XC17-030-230	TXV	27,600	16.00	13.00	C35-24A	SL280UH070V36A	8255429
XC17-030-230	TXV	27,600	16.00	13.00	C35-24A	SL280UH070XV36A	8255430
XC17-030-230	TXV	27,400	14.50	12.20	C35-24B		8255442
XC17-030-230	TXV	27,600	16.00	13.00	C35-24B	EL180UH070E36B	8255432
XC17-030-230	TXV	27,600	16.00	13.00	C35-24B	EL180UH070XE36B	8255433

### NOTES:

TXV = Matched with Thermostatic Expansion Valve.

RFC = Matched with RFC metering device.

Ratings are AHRI Certified to AHRI Standard 210/240 (with 25 ft. of connecting refrigerant lines); 95°F outdoor air temperature, 80°F db / 67°F wb entering evaporator air.

All ratings include the use of a blower time delay relay (TDR). All Lennox variable-speed furnaces and Air Handlers have time delay capabilities. Other Furnaces and Air Handlers may require an optional time delay relay (**58M81**) for field installation. See furnace or air handler specifications to determine if relay is needed.

Also see Expansion Valve Kit Usage Table.



## AHRI SYSTEM MATCHES

NOTE - For the latest up-to-date system matches please visit the AHRI web site at <http://www.ahridirectory.org>

Model No.	Expansion Device	Capacity	SEER	EER	Coil or Air Handler	Furnace	AHRI Reference
XC17-030-230	TXV	27,600	16.00	13.00	C35-24B	EL180UH090E48B	8255434
XC17-030-230	TXV	27,600	16.00	13.00	C35-24B	EL180UH090XE48B	8255435
XC17-030-230	TXV	27,600	15.50	12.50	C35-24B	EL195UH070XE36B	8255436
XC17-030-230	TXV	27,600	15.50	12.50	C35-24B	EL296UH070XE36B	8255437
XC17-030-230	TXV	27,600	16.00	13.00	C35-24B	EL296UH070XV36B	8255438
XC17-030-230	TXV	27,800	16.00	13.00	C35-24B	SL280UH090V36B	8255439
XC17-030-230	TXV	27,800	16.00	13.00	C35-24B	SL280UH090V48B	8255440
XC17-030-230	TXV	27,600	16.00	13.00	C35-24B	SLP98UH070XV36B	8255441
XC17-030-230	TXV	27,400	14.50	12.20	C35-30/36A		8255447
XC17-030-230	TXV	27,600	16.00	13.00	C35-30/36A	EL180UH045E36A	8255443
XC17-030-230	TXV	27,600	16.00	13.00	C35-30/36A	EL180UH045XE36A	8255444
XC17-030-230	TXV	27,600	16.00	13.00	C35-30/36A	SL280UH070V36A	8255445
XC17-030-230	TXV	27,600	16.00	13.00	C35-30/36A	SL280UH070XV36A	8255446
XC17-030-230	TXV	27,400	14.50	12.20	C35-30/36B		8255460
XC17-030-230	TXV	27,800	16.00	13.00	C35-30/36B	EL180UH070E36B	8255448
XC17-030-230	TXV	27,800	16.00	13.00	C35-30/36B	EL180UH070XE36B	8255449
XC17-030-230	TXV	27,800	16.00	13.00	C35-30/36B	EL180UH090E48B	8255450
XC17-030-230	TXV	27,800	16.00	13.00	C35-30/36B	EL180UH090XE48B	8255451
XC17-030-230	TXV	27,800	16.00	13.00	C35-30/36B	EL195UH045XE36B	8255452
XC17-030-230	TXV	27,600	15.50	12.50	C35-30/36B	EL195UH070XE36B	8255453
XC17-030-230	TXV	27,800	16.00	13.00	C35-30/36B	EL296UH045XE36B	8255454
XC17-030-230	TXV	27,600	15.50	12.50	C35-30/36B	EL296UH070XE36B	8255455
XC17-030-230	TXV	27,600	16.00	13.00	C35-30/36B	EL296UH070XV36B	8255456
XC17-030-230	TXV	27,800	16.00	13.00	C35-30/36B	SL280UH090V36B	8255457
XC17-030-230	TXV	27,800	16.00	13.00	C35-30/36B	SL280UH090V48B	8255458
XC17-030-230	TXV	27,600	16.00	13.00	C35-30/36B	SLP98UH070XV36B	8255459
XC17-030-230	TXV	27,400	14.50	12.20	C35-30/36C		8255462
XC17-030-230	TXV	28,000	16.00	13.00	C35-30/36C	EL296UH090XV36C	8255461
XC17-030-230	TXV	27,600	16.00	13.00	C35-30/36C	SLP98UH090XV36C	8255783
XC17-030-230	TXV	27,600	16.00	13.00	C35-30/36C	SLP98UH090XV48C	8255641
XC17-030-230	TXV	27,800	14.50	12.20	C35-30A		8255467
XC17-030-230	TXV	28,200	16.00	13.00	C35-30A	EL180UH045E36A	8255463
XC17-030-230	TXV	28,200	16.00	13.00	C35-30A	EL180UH045XE36A	8255464
XC17-030-230	TXV	28,400	16.00	13.00	C35-30A	SL280UH070V36A	8255465
XC17-030-230	TXV	28,400	16.00	13.00	C35-30A	SL280UH070XV36A	8255466
XC17-030-230	TXV	27,800	14.50	12.20	C35-30B		8255481
XC17-030-230	TXV	28,400	16.00	13.00	C35-30B	CBWMV-36B-070	8255468
XC17-030-230	TXV	28,400	17.00	13.50	C35-30B	EL180UH070E36B	8255469
XC17-030-230	TXV	28,400	17.00	13.50	C35-30B	EL180UH070XE36B	8255470
XC17-030-230	TXV	28,400	16.00	13.00	C35-30B	EL180UH090E48B	8255471
XC17-030-230	TXV	28,400	16.00	13.00	C35-30B	EL180UH090XE48B	8255472
XC17-030-230	TXV	28,400	16.00	13.00	C35-30B	EL195UH045XE36B	8255473
XC17-030-230	TXV	28,400	16.00	13.00	C35-30B	EL195UH070XE36B	8255474
XC17-030-230	TXV	28,400	16.00	13.00	C35-30B	EL296UH045XE36B	8255475
XC17-030-230	TXV	28,400	16.00	13.00	C35-30B	EL296UH070XE36B	8255476
XC17-030-230	TXV	28,200	16.00	13.00	C35-30B	EL296UH070XV36B	8255477
XC17-030-230	TXV	28,400	17.00	13.50	C35-30B	SL280UH090V36B	8255478
XC17-030-230	TXV	28,600	16.00	13.00	C35-30B	SL280UH090V48B	8255479
XC17-030-230	TXV	28,200	16.00	13.00	C35-30B	SLP98UH070XV36B	8255480

### NOTES:

TXV = Matched with Thermostatic Expansion Valve.

RFC = Matched with RFC metering device.

Ratings are AHRI Certified to AHRI Standard 210/240 (with 25 ft. of connecting refrigerant lines); 95°F outdoor air temperature, 80°F db / 67°F wb entering evaporator air.

All ratings include the use of a blower time delay relay (TDR). All Lennox variable-speed furnaces and Air Handlers have time delay capabilities. Other Furnaces and Air Handlers may require an optional time delay relay (**58M81**) for field installation. See furnace or air handler specifications to determine if relay is needed.

Also see Expansion Valve Kit Usage Table.

## AHRI SYSTEM MATCHES

NOTE - For the latest up-to-date system matches please visit the AHRI web site at <http://www.ahridirectory.org>

Model No.	Expansion Device	Capacity	SEER	EER	Coil or Air Handler	Furnace	AHRI Reference
XC17-030-230	TXV	28,000	15.00	12.50	C35-36A		8255486
XC17-030-230	TXV	28,400	16.00	13.00	C35-36A	EL180UH045E36A	8255482
XC17-030-230	TXV	28,400	16.00	13.00	C35-36A	EL180UH045XE36A	8255483
XC17-030-230	TXV	28,600	16.00	13.00	C35-36A	SL280UH070V36A	8255484
XC17-030-230	TXV	28,600	16.00	13.00	C35-36A	SL280UH070XV36A	8255485
XC17-030-230	TXV	28,000	15.00	12.50	C35-36B		8255499
XC17-030-230	TXV	28,600	17.00	13.50	C35-36B	EL180UH070E36B	8255487
XC17-030-230	TXV	28,600	17.00	13.50	C35-36B	EL180UH070XE36B	8255488
XC17-030-230	TXV	28,600	17.00	14.00	C35-36B	EL180UH090E48B	8255489
XC17-030-230	TXV	28,600	17.00	14.00	C35-36B	EL180UH090XE48B	8255490
XC17-030-230	TXV	28,600	16.00	13.00	C35-36B	EL195UH045XE36B	8255491
XC17-030-230	TXV	28,400	16.00	13.00	C35-36B	EL195UH070XE36B	8255492
XC17-030-230	TXV	28,600	16.00	13.00	C35-36B	EL296UH045XE36B	8255493
XC17-030-230	TXV	28,400	16.00	13.00	C35-36B	EL296UH070XE36B	8255494
XC17-030-230	TXV	28,400	16.00	13.00	C35-36B	EL296UH070XV36B	8255495
XC17-030-230	TXV	28,600	17.00	14.00	C35-36B	SL280UH090V36B	8255496
XC17-030-230	TXV	28,800	17.00	14.00	C35-36B	SL280UH090V48B	8255497
XC17-030-230	TXV	28,400	16.00	13.00	C35-36B	SLP98UH070XV36B	8255498
XC17-030-230	TXV	28,000	15.00	12.50	C35-48B		8255512
XC17-030-230	TXV	28,600	17.00	13.50	C35-48B	EL180UH070E36B	8255500
XC17-030-230	TXV	28,600	17.00	13.50	C35-48B	EL180UH070XE36B	8255501
XC17-030-230	TXV	28,600	17.00	14.00	C35-48B	EL180UH090E48B	8255502
XC17-030-230	TXV	28,600	17.00	14.00	C35-48B	EL180UH090XE48B	8255503
XC17-030-230	TXV	28,600	16.00	13.00	C35-48B	EL195UH045XE36B	8255504
XC17-030-230	TXV	28,400	16.00	13.00	C35-48B	EL195UH070XE36B	8255505
XC17-030-230	TXV	28,600	16.00	13.00	C35-48B	EL296UH045XE36B	8255506
XC17-030-230	TXV	28,400	16.00	13.00	C35-48B	EL296UH070XE36B	8255507
XC17-030-230	TXV	28,400	16.00	13.00	C35-48B	EL296UH070XV36B	8255508
XC17-030-230	TXV	28,600	17.00	14.00	C35-48B	SL280UH090V36B	8255509
XC17-030-230	TXV	28,600	17.00	13.50	C35-48B	SL280UH090V48B	8255510
XC17-030-230	TXV	28,400	16.00	13.00	C35-48B	SLP98UH070XV36B	8255511
XC17-030-230	TXV	28,000	15.00	12.50	C35-48C		8255516
XC17-030-230	TXV	28,800	17.00	14.00	C35-48C	EL296UH090XV36C	8255514
XC17-030-230	TXV	29,000	17.00	14.00	C35-48C	EL296UH090XV48C	8255513
XC17-030-230	TXV	28,800	17.00	14.00	C35-48C	SLP98UH090XV36C	8255515
XC17-030-230	TXV	28,800	17.00	14.00	C35-49C	EL296UH090XV36C	8255518
XC17-030-230	TXV	29,000	17.00	14.00	C35-49C	EL296UH090XV48C	8255517
XC17-030-230	TXV	29,000	17.00	14.00	C35-49C	SLP98UH090XV36C	8255519
XC17-030-230	TXV	28,200	16.00	13.50	CBX27UH-030		5501676
XC17-030-230	TXV	28,200	17.00	13.50	CBX27UH-036		5501677
XC17-030-230	TXV	27,800	15.70	12.70	CBX32M-030		5501678
XC17-030-230	TXV	27,800	15.20	12.70	CBX32M-036		5501679
XC17-030-230	TXV	28,000	16.00	13.50	CBX32MV-024/030		5501680
XC17-030-230	TXV	28,200	17.00	13.50	CBX32MV-036		5501681
XC17-030-230	TXV	28,000	17.00	14.00	CBX40UHV-030		5501682
XC17-030-230	TXV	28,400	17.00	14.00	CBX40UHV-036		5501683
XC17-030-230	TXV	25,800	14.70	12.20	CH23-31	EL195UH045XE36B	5501344
XC17-030-230	TXV	25,800	14.70	12.20	CH23-31	EL296UH045XE36B	5648716
XC17-030-230	TXV	26,200	15.50	12.70	CH23-31	EL296UH045XV36B	5501383

### NOTES:

TXV = Matched with Thermostatic Expansion Valve.

RFC = Matched with RFC metering device.

Ratings are AHRI Certified to AHRI Standard 210/240 (with 25 ft. of connecting refrigerant lines); 95°F outdoor air temperature, 80°F db / 67°F wb entering evaporator air.

All ratings include the use of a blower time delay relay (TDR). All Lennox variable-speed furnaces and Air Handlers have time delay capabilities. Other Furnaces and Air Handlers may require an optional time delay relay (**58M81**) for field installation. See furnace or air handler specifications to determine if relay is needed.

Also see Expansion Valve Kit Usage Table.

## AHRI SYSTEM MATCHES

NOTE - For the latest up-to-date system matches please visit the AHRI web site at <http://www.ahridirectory.org>

Model No.	Expansion Device	Capacity	SEER	EER	Coil or Air Handler	Furnace	AHRI Reference
XC17-030-230	TXV	26,200	15.50	12.70	CH23-31	EL296UH070XV36B	5501407
XC17-030-230	TXV	26,200	15.50	12.70	CH23-31	SLP98UH070XV36B	5501644
XC17-030-230	TXV	28,000	16.00	13.50	CH23-41	EL180UH070E36B	5734494
XC17-030-230	TXV	28,000	16.00	13.50	CH23-41	EL180UH070XE36B	5734837
XC17-030-230	TXV	28,000	16.00	13.50	CH23-41	EL180UH090E48B	5735550
XC17-030-230	TXV	28,000	16.00	13.50	CH23-41	EL180UH090XE48B	5737430
XC17-030-230	TXV	27,800	16.00	13.00	CH23-41	EL195UH045XE36B	5501345
XC17-030-230	TXV	27,800	16.00	13.00	CH23-41	EL296UH045XE36B	5648717
XC17-030-230	TXV	27,800	16.00	13.50	CH23-41	EL296UH045XV36B	5501384
XC17-030-230	TXV	27,800	16.00	13.50	CH23-41	EL296UH070XV36B	5501408
XC17-030-230	TXV	27,800	16.00	13.50	CH23-41	SL280UH070V36A	5501561
XC17-030-230	TXV	27,800	16.00	13.50	CH23-41	SL280UH070XV36A	5501576
XC17-030-230	TXV	28,000	16.00	13.50	CH23-41	SL280UH090V36B	5501594
XC17-030-230	TXV	28,000	16.00	13.50	CH23-41	SL280UH090V48B	5501616
XC17-030-230	TXV	27,800	16.00	13.50	CH23-41	SLP98UH070XV36B	5501645
XC17-030-230	TXV	28,000	16.00	13.50	CH23-51	EL180UH070E36B	5734495
XC17-030-230	TXV	28,000	16.00	13.50	CH23-51	EL180UH070XE36B	5734838
XC17-030-230	TXV	28,000	16.00	13.50	CH23-51	EL180UH090E48B	5735552
XC17-030-230	TXV	28,000	16.00	13.50	CH23-51	EL180UH090XE48B	5737432
XC17-030-230	TXV	28,000	16.00	13.00	CH23-51	EL195UH045XE36B	5501346
XC17-030-230	TXV	28,000	16.00	13.00	CH23-51	EL296UH045XE36B	5648718
XC17-030-230	TXV	28,000	16.00	13.50	CH23-51	EL296UH045XV36B	5501385
XC17-030-230	TXV	27,800	16.00	13.50	CH23-51	EL296UH070XV36B	5501409
XC17-030-230	TXV	28,000	17.00	13.50	CH23-51	EL296UH090XV36C	5501426
XC17-030-230	TXV	28,000	16.00	13.50	CH23-51	SL280UH070V36A	5501562
XC17-030-230	TXV	28,000	16.00	13.50	CH23-51	SL280UH070XV36A	5501577
XC17-030-230	TXV	28,200	17.00	13.50	CH23-51	SL280UH090V36B	5501595
XC17-030-230	TXV	28,200	16.00	13.50	CH23-51	SL280UH090V48B	5501617
XC17-030-230	TXV	27,800	16.00	13.50	CH23-51	SLP98UH070XV36B	5501646
XC17-030-230	TXV	28,200	17.00	13.50	CH23-51	SLP98UH090XV36C	5501663
XC17-030-230	TXV	27,600	16.00	13.00	CH33-25	EL296UH045XV36B	5501386
XC17-030-230	TXV	27,600	16.00	13.00	CH33-25	EL296UH070XV36B	5501410
XC17-030-230	TXV	28,000	16.00	13.50	CH33-25	SL280UH090V48B	5501618
XC17-030-230	TXV	27,600	16.00	13.00	CH33-25	SLP98UH070XV36B	5501647
XC17-030-230	TXV	27,600	15.70	13.00	CH33-25A	EL180UH045E36A	5733797
XC17-030-230	TXV	27,600	15.70	13.00	CH33-25A	EL180UH045XE36A	5734096
XC17-030-230	TXV	27,800	16.00	13.00	CH33-25A	SL280UH070V36A	5501563
XC17-030-230	TXV	27,800	16.00	13.00	CH33-25A	SL280UH070XV36A	5501578
XC17-030-230	TXV	27,800	16.00	13.50	CH33-25B	EL180UH070E36B	5734496
XC17-030-230	TXV	27,800	16.00	13.50	CH33-25B	EL180UH070XE36B	5734839
XC17-030-230	TXV	27,600	16.00	13.00	CH33-25B	EL180UH090E48B	5735555
XC17-030-230	TXV	27,600	16.00	13.00	CH33-25B	EL180UH090XE48B	5737434
XC17-030-230	TXV	27,600	15.70	13.00	CH33-25B	EL195UH045XE36B	5501347
XC17-030-230	TXV	27,600	15.70	13.00	CH33-25B	EL195UH070XE36B	5501367
XC17-030-230	TXV	27,600	15.70	13.00	CH33-25B	EL296UH045XE36B	5648719
XC17-030-230	TXV	27,600	15.70	13.00	CH33-25B	EL296UH070XE36B	5648739
XC17-030-230	TXV	27,800	16.00	13.50	CH33-25B	SL280UH090V36B	5501596
XC17-030-230	TXV	28,400	16.00	13.50	CH33-31	EL296UH045XV36B	5501387
XC17-030-230	TXV	28,400	16.00	13.50	CH33-31	EL296UH070XV36B	5501411

### NOTES:

TXV = Matched with Thermostatic Expansion Valve.

RFC = Matched with RFC metering device.

Ratings are AHRI Certified to AHRI Standard 210/240 (with 25 ft. of connecting refrigerant lines); 95°F outdoor air temperature, 80°F db / 67°F wb entering evaporator air.

All ratings include the use of a blower time delay relay (TDR). All Lennox variable-speed furnaces and Air Handlers have time delay capabilities. Other Furnaces and Air Handlers may require an optional time delay relay (**58M81**) for field installation. See furnace or air handler specifications to determine if relay is needed.

Also see Expansion Valve Kit Usage Table.

## AHRI SYSTEM MATCHES

NOTE - For the latest up-to-date system matches please visit the AHRI web site at <http://www.ahridirectory.org>

Model No.	Expansion Device	Capacity	SEER	EER	Coil or Air Handler	Furnace	AHRI Reference
XC17-030-230	TXV	28,800	17.00	14.00	CH33-31	SL280UH090V48B	5501619
XC17-030-230	TXV	28,400	16.00	13.50	CH33-31	SLP98UH070XV36B	5501648
XC17-030-230	TXV	28,000	15.00	12.20	CH33-31A		5501688
XC17-030-230	TXV	28,000	16.00	13.00	CH33-31A	EL180UH045E36A	5733799
XC17-030-230	TXV	28,000	16.00	13.00	CH33-31A	EL180UH045XE36A	5734097
XC17-030-230	TXV	28,400	16.00	13.50	CH33-31A	SL280UH070V36A	5501564
XC17-030-230	TXV	28,400	16.00	13.50	CH33-31A	SL280UH070XV36A	5501579
XC17-030-230	TXV	28,000	15.00	12.20	CH33-31B		5501689
XC17-030-230	TXV	28,600	17.00	13.50	CH33-31B	EL180UH070E36B	5734497
XC17-030-230	TXV	28,600	17.00	13.50	CH33-31B	EL180UH070XE36B	5734840
XC17-030-230	TXV	28,600	17.00	14.00	CH33-31B	EL180UH090E48B	5735557
XC17-030-230	TXV	28,600	17.00	14.00	CH33-31B	EL180UH090XE48B	5737436
XC17-030-230	TXV	28,600	16.00	13.50	CH33-31B	EL195UH045XE36B	5501348
XC17-030-230	TXV	28,400	16.00	13.50	CH33-31B	EL195UH070XE36B	5501368
XC17-030-230	TXV	28,600	16.00	13.50	CH33-31B	EL296UH045XE36B	5648720
XC17-030-230	TXV	28,400	16.00	13.50	CH33-31B	EL296UH070XE36B	5648740
XC17-030-230	TXV	28,600	17.00	14.00	CH33-31B	SL280UH090V36B	5501597
XC17-030-230	TXV	27,600	16.00	13.00	CH33-36	EL296UH045XV36B	5501388
XC17-030-230	TXV	27,600	16.00	13.00	CH33-36	EL296UH070XV36B	5501412
XC17-030-230	TXV	28,000	16.00	13.50	CH33-36	EL296UH090XV36C	5501427
XC17-030-230	TXV	27,600	16.00	13.00	CH33-36	SLP98UH070XV36B	5501649
XC17-030-230	TXV	28,200	16.00	13.50	CH33-36	SLP98UH090XV36C	5501664
XC17-030-230	TXV	27,200	15.70	12.70	CH33-36A	EL180UH045E36A	5733800
XC17-030-230	TXV	27,200	15.70	12.70	CH33-36A	EL180UH045XE36A	5734098
XC17-030-230	TXV	27,600	16.00	13.00	CH33-36A	SL280UH070V36A	5501565
XC17-030-230	TXV	27,600	16.00	13.00	CH33-36A	SL280UH070XV36A	5501580
XC17-030-230	TXV	27,800	16.00	13.50	CH33-36B	EL180UH070E36B	5734498
XC17-030-230	TXV	27,800	16.00	13.50	CH33-36B	EL180UH070XE36B	5734841
XC17-030-230	TXV	27,800	16.00	13.50	CH33-36B	EL180UH090E48B	5735559
XC17-030-230	TXV	27,800	16.00	13.50	CH33-36B	EL180UH090XE48B	5737438
XC17-030-230	TXV	27,800	16.00	13.00	CH33-36B	EL195UH045XE36B	5501349
XC17-030-230	TXV	27,600	15.70	13.00	CH33-36B	EL195UH070XE36B	5501369
XC17-030-230	TXV	27,800	16.00	13.00	CH33-36B	EL296UH045XE36B	5648721
XC17-030-230	TXV	27,600	15.70	13.00	CH33-36B	EL296UH070XE36B	5648741
XC17-030-230	TXV	27,800	16.00	13.50	CH33-36B	SL280UH090V36B	5501598
XC17-030-230	TXV	27,800	16.00	13.50	CH33-36B	SL280UH090V48B	5501620
XC17-030-230	TXV	27,600	14.70	12.20	CH33-36C		5501692
XC17-030-230	TXV	27,800	15.00	12.20	CH33-42		5501693
XC17-030-230	TXV	28,400	16.00	13.50	CH33-42	EL180UH070E36B	5734499
XC17-030-230	TXV	28,400	16.00	13.50	CH33-42	EL180UH070XE36B	5734842
XC17-030-230	TXV	28,400	16.00	13.50	CH33-42	EL180UH090E48B	5735561
XC17-030-230	TXV	28,400	16.00	13.50	CH33-42	EL180UH090XE48B	5737440
XC17-030-230	TXV	28,400	16.00	13.50	CH33-42	EL195UH045XE36B	5501350
XC17-030-230	TXV	28,400	16.00	13.50	CH33-42	EL296UH045XE36B	5648722
XC17-030-230	TXV	28,200	16.00	13.50	CH33-42	EL296UH045XV36B	5501389
XC17-030-230	TXV	28,200	16.00	13.50	CH33-42	EL296UH070XV36B	5501413
XC17-030-230	TXV	28,400	17.00	13.50	CH33-42	SL280UH090V36B	5501599
XC17-030-230	TXV	28,400	16.00	13.50	CH33-42	SL280UH090V48B	5501621
XC17-030-230	TXV	28,200	16.00	13.50	CH33-42	SLP98UH070XV36B	5501650

### NOTES:

TXV = Matched with Thermostatic Expansion Valve.

RFC = Matched with RFC metering device.

Ratings are AHRI Certified to AHRI Standard 210/240 (with 25 ft. of connecting refrigerant lines); 95°F outdoor air temperature, 80°F db / 67°F wb entering evaporator air.

All ratings include the use of a blower time delay relay (TDR). All Lennox variable-speed furnaces and Air Handlers have time delay capabilities. Other Furnaces and Air Handlers may require an optional time delay relay (**58M81**) for field installation. See furnace or air handler specifications to determine if relay is needed.

Also see Expansion Valve Kit Usage Table.



## AHRI SYSTEM MATCHES

NOTE - For the latest up-to-date system matches please visit the AHRI web site at <http://www.ahridirectory.org>

Model No.	Expansion Device	Capacity	SEER	EER	Coil or Air Handler	Furnace	AHRI Reference
XC17-030-230	TXV	29,000	17.00	14.00	CH33-43	EL180UH070E36B	5734500
XC17-030-230	TXV	29,000	17.00	14.00	CH33-43	EL180UH070XE36B	5734843
XC17-030-230	TXV	28,800	17.00	14.00	CH33-43	EL180UH090E48B	5735563
XC17-030-230	TXV	28,800	17.00	14.00	CH33-43	EL180UH090XE48B	5737442
XC17-030-230	TXV	28,800	16.00	13.50	CH33-43	EL195UH045XE36B	5501351
XC17-030-230	TXV	29,000	16.00	13.50	CH33-43	EL195UH070XE36B	5501370
XC17-030-230	TXV	28,200	16.00	13.00	CH33-43	EL195UH090XE48C	5501377
XC17-030-230	TXV	28,800	16.00	13.50	CH33-43	EL296UH045XE36B	5648723
XC17-030-230	TXV	29,000	16.00	13.50	CH33-43	EL296UH045XV36B	5501390
XC17-030-230	TXV	29,000	16.00	13.50	CH33-43	EL296UH070XE36B	5648742
XC17-030-230	TXV	29,000	17.00	14.00	CH33-43	EL296UH070XV36B	5501414
XC17-030-230	TXV	28,200	16.00	13.00	CH33-43	EL296UH090XE48C	5648749
XC17-030-230	TXV	28,800	17.00	14.00	CH33-43	EL296UH090XV36C	5501428
XC17-030-230	TXV	29,200	17.00	14.00	CH33-43	SL280UH090V48B	5501622
XC17-030-230	TXV	29,000	17.00	14.00	CH33-43	SLP98UH070XV36B	5501651
XC17-030-230	TXV	29,000	17.00	14.00	CH33-43	SLP98UH090XV36C	5501665
XC17-030-230	TXV	28,600	15.20	12.70	CH33-43B		5501694
XC17-030-230	TXV	29,200	17.00	14.00	CH33-43B	SL280UH090V36B	5501600
XC17-030-230	TXV	28,200	15.20	12.50	CH33-43C		5501695
XC17-030-230	TXV	28,000	15.00	12.50	CH33-44/48		5501696
XC17-030-230	TXV	28,400	16.00	13.50	CH33-44/48	EL296UH045XV36B	5501391
XC17-030-230	TXV	27,600	14.50	12.20	CH35-24A		7165658
XC17-030-230	TXV	27,600	15.50	13.00	CH35-24A	EL180UH045E36A	7165659
XC17-030-230	TXV	27,800	16.00	13.00	CH35-24A	EL180UH045XE36A	7165660
XC17-030-230	TXV	28,000	16.00	13.00	CH35-24A	SL280UH070V36A	7165661
XC17-030-230	TXV	28,200	16.00	13.00	CH35-24A	SL280UH070XV36A	7165662
XC17-030-230	TXV	27,400	14.50	12.20	CH35-24B		7165663
XC17-030-230	TXV	27,800	16.00	13.00	CH35-24B	EL180UH070E36B	7165670
XC17-030-230	TXV	28,200	16.00	13.00	CH35-24B	EL180UH070XE36B	7165671
XC17-030-230	TXV	27,800	16.00	13.00	CH35-24B	EL180UH090E48B	7165672
XC17-030-230	TXV	27,800	16.00	13.00	CH35-24B	EL180UH090XE48B	7165673
XC17-030-230	TXV	27,800	16.00	13.00	CH35-24B	EL195UH045XE36B	7165664
XC17-030-230	TXV	27,800	15.50	13.00	CH35-24B	EL195UH070XE36B	7165666
XC17-030-230	TXV	27,800	16.00	13.00	CH35-24B	EL296UH045XE36B	7165665
XC17-030-230	TXV	27,800	16.00	13.00	CH35-24B	EL296UH045XV36B	7165668
XC17-030-230	TXV	27,800	15.50	13.00	CH35-24B	EL296UH070XE36B	7165667
XC17-030-230	TXV	27,800	16.00	13.00	CH35-24B	EL296UH070XV36B	7165669
XC17-030-230	TXV	28,000	16.00	13.00	CH35-24B	SL280UH090V36B	7165753
XC17-030-230	TXV	28,000	16.00	13.00	CH35-24B	SL280UH090V48B	7165674
XC17-030-230	TXV	27,800	16.00	13.00	CH35-24B	SLP98UH070XV36B	7165754
XC17-030-230	TXV	28,000	15.00	12.20	CH35-30A		7165675
XC17-030-230	TXV	28,200	16.00	13.00	CH35-30A	EL180UH045E36A	7165676
XC17-030-230	TXV	28,200	16.00	13.00	CH35-30A	EL180UH045XE36A	7165677
XC17-030-230	TXV	28,400	16.00	13.00	CH35-30A	SL280UH070V36A	7165678
XC17-030-230	TXV	28,600	16.00	13.00	CH35-30A	SL280UH070XV36A	7165679
XC17-030-230	TXV	28,200	15.10	12.50	CH35-30B		7165680
XC17-030-230	TXV	28,800	17.00	13.00	CH35-30B	EL180UH070E36B	7165687
XC17-030-230	TXV	28,800	17.00	13.00	CH35-30B	EL180UH070XE36B	7165688
XC17-030-230	TXV	28,800	17.00	13.00	CH35-30B	EL180UH090E48B	7165689

### NOTES:

TXV = Matched with Thermostatic Expansion Valve.

RFC = Matched with RFC metering device.

Ratings are AHRI Certified to AHRI Standard 210/240 (with 25 ft. of connecting refrigerant lines); 95°F outdoor air temperature, 80°F db / 67°F wb entering evaporator air.

All ratings include the use of a blower time delay relay (TDR). All Lennox variable-speed furnaces and Air Handlers have time delay capabilities. Other Furnaces and Air Handlers may require an optional time delay relay (**58M81**) for field installation. See furnace or air handler specifications to determine if relay is needed.

Also see Expansion Valve Kit Usage Table.



## AHRI SYSTEM MATCHES

NOTE - For the latest up-to-date system matches please visit the AHRI web site at <http://www.ahridirectory.org>

Model No.	Expansion Device	Capacity	SEER	EER	Coil or Air Handler	Furnace	AHRI Reference
XC17-030-230	TXV	28,800	17.00	14.00	CH35-30B	EL180UH090XE48B	7165690
XC17-030-230	TXV	28,600	16.00	13.00	CH35-30B	EL195UH045XE36B	7165681
XC17-030-230	TXV	28,800	16.00	13.00	CH35-30B	EL195UH070XE36B	7165683
XC17-030-230	TXV	28,600	16.00	13.00	CH35-30B	EL296UH045XE36B	7165682
XC17-030-230	TXV	28,600	16.00	13.00	CH35-30B	EL296UH045XV36B	7165685
XC17-030-230	TXV	28,800	16.00	13.00	CH35-30B	EL296UH070XE36B	7165684
XC17-030-230	TXV	28,600	17.00	13.00	CH35-30B	EL296UH070XV36B	7165686
XC17-030-230	TXV	28,800	17.00	14.00	CH35-30B	SL280UH090V36B	7165755
XC17-030-230	TXV	28,800	17.00	13.00	CH35-30B	SL280UH090V48B	7165691
XC17-030-230	TXV	28,600	17.00	13.00	CH35-30B	SLP98UH070XV36B	7165756
XC17-030-230	TXV	27,400	15.50	13.00	CH35-36A	EL180UH045E36A	7165693
XC17-030-230	TXV	27,400	15.50	13.00	CH35-36A	EL180UH045XE36A	7165694
XC17-030-230	TXV	27,800	16.00	13.00	CH35-36A	SL280UH070V36A	7165695
XC17-030-230	TXV	27,800	16.00	13.00	CH35-36A	SL280UH070XV36A	7165696
XC17-030-230	TXV	27,400	14.50	12.20	CH35-36B		7165697
XC17-030-230	TXV	28,000	16.00	13.00	CH35-36B	EL180UH070E36B	7165704
XC17-030-230	TXV	28,000	16.00	13.00	CH35-36B	EL180UH070XE36B	7165705
XC17-030-230	TXV	28,000	16.00	13.00	CH35-36B	EL180UH090E48B	7165706
XC17-030-230	TXV	28,000	16.00	13.00	CH35-36B	EL180UH090XE48B	7165707
XC17-030-230	TXV	27,800	16.00	13.00	CH35-36B	EL195UH045XE36B	7165698
XC17-030-230	TXV	27,600	15.50	13.00	CH35-36B	EL195UH070XE36B	7165700
XC17-030-230	TXV	27,800	16.00	13.00	CH35-36B	EL296UH045XE36B	7165699
XC17-030-230	TXV	27,800	16.00	13.00	CH35-36B	EL296UH045XV36B	7165702
XC17-030-230	TXV	27,600	15.50	13.00	CH35-36B	EL296UH070XE36B	7165701
XC17-030-230	TXV	27,800	16.00	13.00	CH35-36B	EL296UH070XV36B	7165703
XC17-030-230	TXV	28,000	16.00	13.00	CH35-36B	SL280UH090V36B	7165757
XC17-030-230	TXV	28,000	16.00	13.00	CH35-36B	SL280UH090V48B	7165708
XC17-030-230	TXV	27,800	16.00	13.00	CH35-36B	SLP98UH070XV36B	7165758
XC17-030-230	TXV	27,600	14.50	12.20	CH35-36C		7165709
XC17-030-230	TXV	28,000	16.00	13.00	CH35-36C	EL296UH090XV36C	7165710
XC17-030-230	TXV	28,400	16.00	13.00	CH35-36C	SLP98UH090XV36C	7165711
XC17-030-230	TXV	28,600	15.10	12.50	CH35-42B		7165712
XC17-030-230	TXV	29,000	17.00	13.00	CH35-42B	EL180UH070E36B	7165719
XC17-030-230	TXV	29,000	17.00	14.00	CH35-42B	EL180UH070XE36B	7165720
XC17-030-230	TXV	28,800	17.00	13.00	CH35-42B	EL180UH090E48B	7165721
XC17-030-230	TXV	28,800	17.00	13.00	CH35-42B	EL180UH090XE48B	7165722
XC17-030-230	TXV	28,800	16.00	13.00	CH35-42B	EL195UH045XE36B	7165713
XC17-030-230	TXV	29,200	16.00	13.00	CH35-42B	EL195UH070XE36B	7165715
XC17-030-230	TXV	28,800	16.00	13.00	CH35-42B	EL296UH045XE36B	7165714
XC17-030-230	TXV	29,000	17.00	13.00	CH35-42B	EL296UH045XV36B	7165717
XC17-030-230	TXV	29,200	16.00	13.00	CH35-42B	EL296UH070XE36B	7165716
XC17-030-230	TXV	29,000	17.00	14.00	CH35-42B	EL296UH070XV36B	7165718
XC17-030-230	TXV	29,200	17.00	14.00	CH35-42B	SL280UH090V36B	7165759
XC17-030-230	TXV	29,200	17.00	13.00	CH35-42B	SL280UH090V48B	7165723
XC17-030-230	TXV	29,000	17.00	14.00	CH35-42B	SLP98UH070XV36B	7165760
XC17-030-230	TXV	28,400	15.10	12.50	CH35-42C		7165724
XC17-030-230	TXV	28,800	17.00	13.00	CH35-42C	EL195UH090XE48C	7165725
XC17-030-230	TXV	28,800	17.00	13.00	CH35-42C	EL296UH090XE48C	7165726
XC17-030-230	TXV	28,800	17.00	14.00	CH35-42C	EL296UH090XV36C	7165727

### NOTES:

TXV = Matched with Thermostatic Expansion Valve.

RFC = Matched with RFC metering device.

Ratings are AHRI Certified to AHRI Standard 210/240 (with 25 ft. of connecting refrigerant lines); 95°F outdoor air temperature, 80°F db / 67°F wb entering evaporator air.

All ratings include the use of a blower time delay relay (TDR). All Lennox variable-speed furnaces and Air Handlers have time delay capabilities. Other Furnaces and Air Handlers may require an optional time delay relay (**58M81**) for field installation. See furnace or air handler specifications to determine if relay is needed.

Also see Expansion Valve Kit Usage Table.

## AHRI SYSTEM MATCHES

NOTE - For the latest up-to-date system matches please visit the AHRI web site at <http://www.ahridirectory.org>

Model No.	Expansion Device	Capacity	SEER	EER	Coil or Air Handler	Furnace	AHRI Reference
XC17-030-230	TXV	29,200	17.00	14.00	CH35-42C	SLP98UH090XV36C	7165728
XC17-030-230	TXV	28,200	15.10	12.50	CH35-48B		7165729
XC17-030-230	TXV	28,600	16.00	13.00	CH35-48B	EL296UH045XV36B	7165730
XC17-030-230	TXV	27,600	14.70	12.20	CR33-30/36		5501697
XC17-030-230	TXV	28,000	16.00	13.50	CR33-30/36	EL180DF070E36B	5733425
XC17-030-230	TXV	27,800	16.00	13.50	CR33-30/36	EL180DF090E48B	5733481
XC17-030-230	TXV	27,800	16.00	13.00	CR33-30/36	EL195DF045XE36B	5501333
XC17-030-230	TXV	27,800	16.00	13.00	CR33-30/36	EL195DF070XE48B	5501335
XC17-030-230	TXV	27,800	16.00	13.00	CR33-30/36	EL296DF045XE36B	5648705
XC17-030-230	TXV	28,000	16.00	13.50	CR33-30/36	EL296DF045XV36B	5501379
XC17-030-230	TXV	27,800	16.00	13.00	CR33-30/36	EL296DF070XE48B	5648707
XC17-030-230	TXV	28,000	16.00	13.50	CR33-30/36	EL296DF070XV48B	5587081
XC17-030-230	TXV	27,600	16.00	13.00	CR33-30/36	SL280DF070V36A	5501554
XC17-030-230	TXV	27,600	16.00	13.50	CR33-30/36	SL280DF090V48B	5501555
XC17-030-230	TXV	28,000	16.00	13.50	CR33-30/36	SLP98DF070XV36B	5501630
XC17-030-230	TXV	28,000	16.00	13.50	CR33-30/36	SLP98DF090XV36C	5501632
XC17-030-230	TXV	28,000	16.00	13.50	CR33-30/36	SLP98DF090XV48C	5501634
XC17-030-230	TXV	27,600	14.70	12.20	CR33-48		5501698
XC17-030-230	TXV	27,800	16.00	13.00	CR33-48	EL180DF070E36B	5733426
XC17-030-230	TXV	28,200	16.00	13.50	CR33-48	EL180DF090E48B	5733483
XC17-030-230	TXV	27,800	15.70	13.00	CR33-48	EL195DF045XE36B	5501334
XC17-030-230	TXV	28,000	16.00	13.00	CR33-48	EL195DF070XE48B	5501336
XC17-030-230	TXV	27,800	15.70	13.00	CR33-48	EL296DF045XE36B	5648706
XC17-030-230	TXV	27,800	16.00	13.00	CR33-48	EL296DF045XV36B	5501380
XC17-030-230	TXV	28,000	16.00	13.00	CR33-48	EL296DF070XE48B	5648708
XC17-030-230	TXV	27,800	16.00	13.00	CR33-48	EL296DF070XV48B	5587082
XC17-030-230	TXV	28,000	16.00	13.00	CR33-48	SLP98DF070XV36B	5501631
XC17-030-230	TXV	28,000	16.00	13.50	CR33-48	SLP98DF090XV36C	5501633
XC17-030-230	TXV	28,000	16.00	13.50	CR33-48	SLP98DF090XV48C	5501635
XC17-030-230	TXV	27,600	16.00	13.00	CX34-25	EL180UH045E36A	5733802
XC17-030-230	TXV	27,600	16.00	13.00	CX34-25	EL180UH045XE36A	5734099
XC17-030-230	TXV	27,600	16.00	13.00	CX34-25	EL180UH070E36B	5734501
XC17-030-230	TXV	27,600	16.00	13.00	CX34-25	EL180UH070XE36B	5734844
XC17-030-230	TXV	27,600	16.00	13.00	CX34-25	EL180UH090E48B	5735565
XC17-030-230	TXV	27,600	16.00	13.00	CX34-25	EL180UH090XE48B	5737443
XC17-030-230	TXV	27,600	15.70	13.00	CX34-25	EL195UH045XE36B	5501352
XC17-030-230	TXV	27,600	15.70	13.00	CX34-25	EL195UH070XE36B	5501371
XC17-030-230	TXV	27,600	15.70	13.00	CX34-25	EL296UH045XE36B	5648724
XC17-030-230	TXV	27,600	15.70	13.00	CX34-25	EL296UH045XV36B	5501392
XC17-030-230	TXV	27,600	15.70	13.00	CX34-25	EL296UH070XE36B	5648743
XC17-030-230	TXV	27,600	16.00	13.00	CX34-25	EL296UH070XV36B	5501415
XC17-030-230	TXV	27,600	16.00	13.00	CX34-25	SL280UH070V36A	5501566
XC17-030-230	TXV	27,600	16.00	13.00	CX34-25	SL280UH070XV36A	5501581
XC17-030-230	TXV	27,800	16.00	13.50	CX34-25	SL280UH090V36B	5501601
XC17-030-230	TXV	27,800	16.00	13.00	CX34-25	SL280UH090V48B	5501623
XC17-030-230	TXV	27,600	16.00	13.00	CX34-25	SLP98UH070XV36B	5501652
XC17-030-230	TXV	26,600	15.20	12.50	CX34-30	EL180UH045E36A	5733804
XC17-030-230	TXV	26,600	15.20	12.50	CX34-30	EL180UH045XE36A	5734100
XC17-030-230	TXV	26,600	15.20	12.50	CX34-30	EL195UH045XE36B	5501353

### NOTES:

TXV = Matched with Thermostatic Expansion Valve.

RFC = Matched with RFC metering device.

Ratings are AHRI Certified to AHRI Standard 210/240 (with 25 ft. of connecting refrigerant lines); 95°F outdoor air temperature, 80°F db / 67°F wb entering evaporator air.

All ratings include the use of a blower time delay relay (TDR). All Lennox variable-speed furnaces and Air Handlers have time delay capabilities. Other Furnaces and Air Handlers may require an optional time delay relay (**58M81**) for field installation. See furnace or air handler specifications to determine if relay is needed.

Also see Expansion Valve Kit Usage Table.

## AHRI SYSTEM MATCHES

NOTE - For the latest up-to-date system matches please visit the AHRI web site at <http://www.ahridirectory.org>

Model No.	Expansion Device	Capacity	SEER	EER	Coil or Air Handler	Furnace	AHRI Reference
XC17-030-230	TXV	26,800	15.20	12.50	CX34-30	EL195UH070XE36B	5501372
XC17-030-230	TXV	26,600	15.20	12.50	CX34-30	EL296UH045XE36B	5648725
XC17-030-230	TXV	26,800	15.50	12.70	CX34-30	EL296UH045XV36B	5501393
XC17-030-230	TXV	26,800	15.20	12.50	CX34-30	EL296UH070XE36B	5648744
XC17-030-230	TXV	26,800	15.70	13.00	CX34-30	EL296UH070XV36B	5501416
XC17-030-230	TXV	27,000	16.00	13.00	CX34-30	EL296UH090XV36C	6468613
XC17-030-230	TXV	26,800	15.50	12.50	CX34-30	EL296UH090XV48C	6468615
XC17-030-230	TXV	27,000	15.70	13.00	CX34-30	SL280UH070V36A	5501567
XC17-030-230	TXV	27,000	15.70	13.00	CX34-30	SL280UH070XV36A	5501582
XC17-030-230	TXV	26,600	15.70	13.00	CX34-30	SL280UH090V36B	5501602
XC17-030-230	TXV	26,800	15.70	13.00	CX34-30	SLP98UH070XV36B	5501653
XC17-030-230	TXV	27,000	16.00	13.00	CX34-30	SLP98UH090XV36C	6478813
XC17-030-230	TXV	26,800	15.50	12.50	CX34-30	SLP98UH090XV48C	6478815
XC17-030-230	TXV	27,800	15.00	12.20	CX34-31		5501330
XC17-030-230	TXV	28,400	16.00	13.50	CX34-31	CBWMV-36B-070	5501332
XC17-030-230	TXV	28,200	16.00	13.50	CX34-31	EL180UH045E36A	5733806
XC17-030-230	TXV	28,200	16.00	13.50	CX34-31	EL180UH045XE36A	5734101
XC17-030-230	TXV	28,400	17.00	13.50	CX34-31	EL180UH070E36B	5734502
XC17-030-230	TXV	28,400	17.00	13.50	CX34-31	EL180UH070XE36B	5734845
XC17-030-230	TXV	28,400	16.00	13.50	CX34-31	EL180UH090E48B	5735567
XC17-030-230	TXV	28,400	16.00	13.50	CX34-31	EL180UH090XE48B	5737446
XC17-030-230	TXV	28,400	16.00	13.50	CX34-31	EL195UH045XE36B	5501354
XC17-030-230	TXV	28,400	16.00	13.50	CX34-31	EL296UH045XE36B	5648726
XC17-030-230	TXV	28,200	16.00	13.50	CX34-31	EL296UH045XV36B	5501394
XC17-030-230	TXV	28,200	16.00	13.50	CX34-31	EL296UH070XV36B	5501417
XC17-030-230	TXV	28,400	16.00	13.50	CX34-31	SL280UH070V36A	5501568
XC17-030-230	TXV	28,400	16.00	13.50	CX34-31	SL280UH070XV36A	5501583
XC17-030-230	TXV	28,400	17.00	13.50	CX34-31	SL280UH090V36B	5501603
XC17-030-230	TXV	28,600	16.00	13.50	CX34-31	SL280UH090V48B	5501624
XC17-030-230	TXV	28,000	16.00	13.00	CX34-31	SLO185B79/105V42	7109796
XC17-030-230	TXV	28,200	16.00	13.50	CX34-31	SLP98UH070XV36B	5501654
XC17-030-230	TXV	27,600	16.00	13.00	CX34-36	EL180UH045E36A	5733807
XC17-030-230	TXV	27,600	16.00	13.00	CX34-36	EL180UH045XE36A	5734102
XC17-030-230	TXV	27,800	16.00	13.50	CX34-36	EL180UH070E36B	5734503
XC17-030-230	TXV	27,800	16.00	13.50	CX34-36	EL180UH070XE36B	5734846
XC17-030-230	TXV	27,800	16.00	13.50	CX34-36	EL180UH090E48B	5735568
XC17-030-230	TXV	27,800	16.00	13.50	CX34-36	EL180UH090XE48B	5737448
XC17-030-230	TXV	27,800	16.00	13.00	CX34-36	EL195UH045XE36B	5501355
XC17-030-230	TXV	27,600	15.70	13.00	CX34-36	EL195UH070XE36B	5501373
XC17-030-230	TXV	27,800	16.00	13.00	CX34-36	EL296UH045XE36B	5648727
XC17-030-230	TXV	27,600	16.00	13.00	CX34-36	EL296UH045XV36B	5501395
XC17-030-230	TXV	27,600	15.70	13.00	CX34-36	EL296UH070XE36B	5648745
XC17-030-230	TXV	27,600	16.00	13.00	CX34-36	EL296UH070XV36B	5501418
XC17-030-230	TXV	27,600	16.00	13.50	CX34-36	EL296UH090XV36C	5501429
XC17-030-230	TXV	28,000	16.00	13.50	CX34-36	EL296UH110XV48C	6980515
XC17-030-230	TXV	27,600	16.00	13.00	CX34-36	SL280UH070V36A	5501569
XC17-030-230	TXV	27,600	16.00	13.00	CX34-36	SL280UH070XV36A	5501584
XC17-030-230	TXV	27,800	16.00	13.50	CX34-36	SL280UH090V36B	5501604
XC17-030-230	TXV	27,800	16.00	13.50	CX34-36	SL280UH090V48B	5501625

### NOTES:

TXV = Matched with Thermostatic Expansion Valve.

RFC = Matched with RFC metering device.

Ratings are AHRI Certified to AHRI Standard 210/240 (with 25 ft. of connecting refrigerant lines); 95°F outdoor air temperature, 80°F db / 67°F wb entering evaporator air.

All ratings include the use of a blower time delay relay (TDR). All Lennox variable-speed furnaces and Air Handlers have time delay capabilities. Other Furnaces and Air Handlers may require an optional time delay relay (**58M81**) for field installation. See furnace or air handler specifications to determine if relay is needed.

Also see Expansion Valve Kit Usage Table.

## AHRI SYSTEM MATCHES

NOTE - For the latest up-to-date system matches please visit the AHRI web site at <http://www.ahridirectory.org>

Model No.	Expansion Device	Capacity	SEER	EER	Coil or Air Handler	Furnace	AHRI Reference
XC17-030-230	TXV	27,600	16.00	13.00	CX34-36	SLP98UH070XV36B	5501655
XC17-030-230	TXV	28,000	16.00	13.50	CX34-36	SLP98UH090XV36C	5501666
XC17-030-230	TXV	27,600	16.00	13.00	CX34-36	SLP98UH090XV48C	6988333
XC17-030-230	TXV	28,000	15.00	12.50	CX34-38		5501701
XC17-030-230	TXV	28,400	16.00	13.50	CX34-38	EL180UH045E36A	5733809
XC17-030-230	TXV	28,400	16.00	13.50	CX34-38	EL180UH045XE36A	5734103
XC17-030-230	TXV	28,600	17.00	13.50	CX34-38	EL180UH070E36B	5734504
XC17-030-230	TXV	28,600	17.00	13.50	CX34-38	EL180UH070XE36B	5734847
XC17-030-230	TXV	28,600	17.00	14.00	CX34-38	EL180UH090E48B	5735570
XC17-030-230	TXV	28,600	17.00	14.00	CX34-38	EL180UH090XE48B	5737450
XC17-030-230	TXV	28,600	16.00	13.50	CX34-38	EL195UH045XE36B	5501356
XC17-030-230	TXV	28,400	16.00	13.50	CX34-38	EL195UH070XE36B	5501374
XC17-030-230	TXV	28,600	16.00	13.50	CX34-38	EL296UH045XE36B	5648728
XC17-030-230	TXV	28,400	16.00	13.50	CX34-38	EL296UH045XV36B	5501396
XC17-030-230	TXV	28,400	16.00	13.50	CX34-38	EL296UH070XE36B	5648746
XC17-030-230	TXV	28,400	16.00	13.50	CX34-38	EL296UH070XV36B	5501419
XC17-030-230	TXV	28,600	16.00	13.50	CX34-38	SL280UH070V36A	5501570
XC17-030-230	TXV	28,600	16.00	13.50	CX34-38	SL280UH070XV36A	5501585
XC17-030-230	TXV	28,600	17.00	14.00	CX34-38	SL280UH090V36B	5501605
XC17-030-230	TXV	28,800	17.00	14.00	CX34-38	SL280UH090V48B	5501626
XC17-030-230	TXV	28,400	16.00	13.00	CX34-38	SLO185B79/105V42	7109797
XC17-030-230	TXV	28,400	16.00	13.50	CX34-38	SLP98UH070XV36B	5501656
XC17-030-230	TXV	27,800	16.00	13.50	CX34-42	EL180UH070E36B	5734505
XC17-030-230	TXV	27,800	16.00	13.50	CX34-42	EL180UH070XE36B	5734848
XC17-030-230	TXV	27,800	16.00	13.50	CX34-42	EL180UH090E48B	5735572
XC17-030-230	TXV	27,800	16.00	13.50	CX34-42	EL180UH090XE48B	5795807
XC17-030-230	TXV	27,800	16.00	13.00	CX34-42	EL195UH045XE36B	5501357
XC17-030-230	TXV	27,600	15.70	13.00	CX34-42	EL195UH070XE36B	5501375
XC17-030-230	TXV	27,800	16.00	13.00	CX34-42	EL296UH045XE36B	5648729
XC17-030-230	TXV	27,600	16.00	13.00	CX34-42	EL296UH045XV36B	5501397
XC17-030-230	TXV	27,600	15.70	13.00	CX34-42	EL296UH070XE36B	5648747
XC17-030-230	TXV	27,600	16.00	13.00	CX34-42	EL296UH070XV36B	5501420
XC17-030-230	TXV	27,800	16.00	13.50	CX34-42	SL280UH090V36B	5501606
XC17-030-230	TXV	27,800	16.00	13.50	CX34-42	SL280UH090V48B	5501627
XC17-030-230	TXV	27,600	16.00	13.00	CX34-42	SLP98UH070XV36B	5501657
XC17-030-230	TXV	28,000	15.00	12.50	CX34-43		5501703
XC17-030-230	TXV	28,600	17.00	13.50	CX34-43	EL180UH070E36B	5734506
XC17-030-230	TXV	28,600	17.00	13.50	CX34-43	EL180UH070XE36B	5734849
XC17-030-230	TXV	28,600	17.00	14.00	CX34-43	EL180UH090E48B	5735575
XC17-030-230	TXV	28,600	17.00	14.00	CX34-43	EL180UH090XE48B	5795808
XC17-030-230	TXV	28,600	16.00	13.50	CX34-43	EL195UH045XE36B	5501358
XC17-030-230	TXV	28,400	16.00	13.50	CX34-43	EL195UH070XE36B	5501376
XC17-030-230	TXV	28,200	16.00	13.00	CX34-43	EL195UH090XE48C	5501378
XC17-030-230	TXV	28,600	16.00	13.50	CX34-43	EL296UH045XE36B	5648730
XC17-030-230	TXV	28,400	16.00	13.50	CX34-43	EL296UH045XV36B	5501398
XC17-030-230	TXV	28,400	16.00	13.50	CX34-43	EL296UH070XE36B	5648748
XC17-030-230	TXV	28,400	16.00	13.50	CX34-43	EL296UH070XV36B	5501421
XC17-030-230	TXV	28,200	16.00	13.00	CX34-43	EL296UH090XE48C	5648750
XC17-030-230	TXV	28,800	17.00	14.00	CX34-43	EL296UH090XV36C	5501430

### NOTES:

TXV = Matched with Thermostatic Expansion Valve.

RFC = Matched with RFC metering device.

Ratings are AHRI Certified to AHRI Standard 210/240 (with 25 ft. of connecting refrigerant lines); 95°F outdoor air temperature, 80°F db / 67°F wb entering evaporator air.

All ratings include the use of a blower time delay relay (TDR). All Lennox variable-speed furnaces and Air Handlers have time delay capabilities. Other Furnaces and Air Handlers may require an optional time delay relay (**58M81**) for field installation. See furnace or air handler specifications to determine if relay is needed.

Also see Expansion Valve Kit Usage Table.



## AHRI SYSTEM MATCHES

NOTE - For the latest up-to-date system matches please visit the AHRI web site at <http://www.ahridirectory.org>

Model No.	Expansion Device	Capacity	SEER	EER	Coil or Air Handler	Furnace	AHRI Reference
XC17-030-230	TXV	29,000	17.00	14.00	CX34-43	EL296UH090XV48C	5502715
XC17-030-230	TXV	28,600	17.00	14.00	CX34-43	SL280UH090V36B	5501607
XC17-030-230	TXV	28,600	17.00	13.50	CX34-43	SL280UH090V48B	5501628
XC17-030-230	TXV	28,400	16.00	13.00	CX34-43	SLO185B79/105V42	7109798
XC17-030-230	TXV	28,400	16.00	13.50	CX34-43	SLO185UF79/105V42	7109777
XC17-030-230	TXV	28,400	16.00	13.50	CX34-43	SLP98UH070XV36B	5501658
XC17-030-230	TXV	28,800	17.00	14.00	CX34-43	SLP98UH090XV36C	5501667
XC17-030-230	TXV	29,000	16.00	13.50	CX34-43C	SLP98UH090XV48C	8703414
XC17-030-230	TXV	27,800	15.00	12.20	CX34-44/48		5501704
XC17-030-230	TXV	28,400	16.00	13.50	CX34-44/48	EL180UH070E36B	5734507
XC17-030-230	TXV	28,400	16.00	13.50	CX34-44/48	EL180UH070XE36B	5734850
XC17-030-230	TXV	28,400	16.00	13.50	CX34-44/48	EL180UH090E48B	5735576
XC17-030-230	TXV	28,400	16.00	13.50	CX34-44/48	EL180UH090XE48B	5737454
XC17-030-230	TXV	28,400	16.00	13.50	CX34-44/48	EL195UH045XE36B	5501359
XC17-030-230	TXV	28,400	16.00	13.50	CX34-44/48	EL296UH045XE36B	5648731
XC17-030-230	TXV	28,200	16.00	13.50	CX34-44/48	EL296UH070XV36B	5501422
XC17-030-230	TXV	28,400	16.00	13.50	CX34-44/48	EL296UH090XV36C	5501431
XC17-030-230	TXV	28,400	17.00	13.50	CX34-44/48	SL280UH090V36B	5501608
XC17-030-230	TXV	28,400	16.00	13.50	CX34-44/48	SL280UH090V48B	5501629
XC17-030-230	TXV	28,200	16.00	13.50	CX34-44/48	SLP98UH070XV36B	5501659
XC17-030-230	TXV	28,600	16.00	13.50	CX34-44/48	SLP98UH090XV36C	5501668
XC17-030-230	TXV	27,400	14.50	12.20	CX35-24A		8255524
XC17-030-230	TXV	27,600	16.00	13.00	CX35-24A	EL180UH045E36A	8255521
XC17-030-230	TXV	27,600	16.00	13.00	CX35-24A	EL180UH045XE36A	8255520
XC17-030-230	TXV	27,600	16.00	13.00	CX35-24A	SL280UH070V36A	8255522
XC17-030-230	TXV	27,800	16.00	13.00	CX35-24A	SL280UH070XV36A	8255523
XC17-030-230	TXV	27,400	14.50	12.20	CX35-24B		8255541
XC17-030-230	TXV	27,600	16.00	13.00	CX35-24B	EL180UH070E36B	8255525
XC17-030-230	TXV	27,600	16.00	13.00	CX35-24B	EL180UH070XE36B	8255526
XC17-030-230	TXV	27,600	16.00	13.00	CX35-24B	EL180UH090E48B	8255527
XC17-030-230	TXV	27,600	16.00	13.00	CX35-24B	EL180UH090XE48B	8255528
XC17-030-230	TXV	27,600	15.50	12.50	CX35-24B	EL195UH045XE36B	8255529
XC17-030-230	TXV	27,600	15.50	12.50	CX35-24B	EL195UH045XE48B	8255530
XC17-030-230	TXV	27,600	15.50	12.50	CX35-24B	EL195UH070XE36B	8255531
XC17-030-230	TXV	27,600	15.50	12.50	CX35-24B	EL296UH045XE36B	8255533
XC17-030-230	TXV	27,600	15.50	12.50	CX35-24B	EL296UH045XE48B	8255534
XC17-030-230	TXV	27,600	15.50	12.50	CX35-24B	EL296UH045XV36B	8255532
XC17-030-230	TXV	27,600	15.50	12.50	CX35-24B	EL296UH070XE36B	8255535
XC17-030-230	TXV	27,600	16.00	13.00	CX35-24B	EL296UH070XV36B	8255536
XC17-030-230	TXV	27,800	16.00	13.00	CX35-24B	SL280UH090V36B	8255537
XC17-030-230	TXV	27,800	16.00	13.00	CX35-24B	SL280UH090V48B	8255539
XC17-030-230	TXV	27,800	16.00	13.00	CX35-24B	SL280UH090XV36B	8255538
XC17-030-230	TXV	27,600	16.00	13.00	CX35-24B	SLP98UH070XV36B	8255540
XC17-030-230	TXV	27,400	14.50	12.20	CX35-30/36A		8255646
XC17-030-230	TXV	27,600	16.00	13.00	CX35-30/36A	EL180UH045E36A	8255642
XC17-030-230	TXV	27,600	16.00	13.00	CX35-30/36A	EL180UH045XE36A	8255643
XC17-030-230	TXV	27,600	16.00	13.00	CX35-30/36A	SL280UH070V36A	8255644
XC17-030-230	TXV	27,800	16.00	13.00	CX35-30/36A	SL280UH070XV36A	8255645
XC17-030-230	TXV	27,400	14.50	12.20	CX35-30/36B		8255662

### NOTES:

TXV = Matched with Thermostatic Expansion Valve.

RFC = Matched with RFC metering device.

Ratings are AHRI Certified to AHRI Standard 210/240 (with 25 ft. of connecting refrigerant lines); 95°F outdoor air temperature, 80°F db / 67°F wb entering evaporator air.

All ratings include the use of a blower time delay relay (TDR). All Lennox variable-speed furnaces and Air Handlers have time delay capabilities. Other Furnaces and Air Handlers may require an optional time delay relay (**58M81**) for field installation. See furnace or air handler specifications to determine if relay is needed.

Also see Expansion Valve Kit Usage Table.



## AHRI SYSTEM MATCHES

NOTE - For the latest up-to-date system matches please visit the AHRI web site at <http://www.ahridirectory.org>

Model No.	Expansion Device	Capacity	SEER	EER	Coil or Air Handler	Furnace	AHRI Reference
XC17-030-230	TXV	27,800	16.00	13.00	CX35-30/36B	EL180UH070E36B	8255647
XC17-030-230	TXV	27,800	16.00	13.00	CX35-30/36B	EL180UH070XE36B	8255648
XC17-030-230	TXV	27,800	16.00	13.00	CX35-30/36B	EL180UH090E48B	8255649
XC17-030-230	TXV	27,800	16.00	13.00	CX35-30/36B	EL180UH090XE48B	8255650
XC17-030-230	TXV	27,800	16.00	13.00	CX35-30/36B	EL195UH045XE36B	8255651
XC17-030-230	TXV	27,600	15.50	12.50	CX35-30/36B	EL195UH070XE36B	8255652
XC17-030-230	TXV	27,800	16.00	13.00	CX35-30/36B	EL296UH045XE36B	8255654
XC17-030-230	TXV	27,600	16.00	13.00	CX35-30/36B	EL296UH045XE48B	8255655
XC17-030-230	TXV	27,600	16.00	13.00	CX35-30/36B	EL296UH045XV36B	8255653
XC17-030-230	TXV	27,600	15.50	12.50	CX35-30/36B	EL296UH070XE36B	8255656
XC17-030-230	TXV	27,600	16.00	13.00	CX35-30/36B	EL296UH070XV36B	8255657
XC17-030-230	TXV	27,800	16.00	13.00	CX35-30/36B	SL280UH090V36B	8255658
XC17-030-230	TXV	27,800	16.00	13.00	CX35-30/36B	SL280UH090V48B	8255660
XC17-030-230	TXV	27,800	16.00	13.00	CX35-30/36B	SL280UH090XV36B	8255659
XC17-030-230	TXV	27,600	16.00	13.00	CX35-30/36B	SLP98UH070XV36B	8255661
XC17-030-230	TXV	27,400	14.50	12.20	CX35-30/36C		8255665
XC17-030-230	TXV	28,000	16.00	13.00	CX35-30/36C	EL296UH090XV36C	8255663
XC17-030-230	TXV	28,000	16.00	13.00	CX35-30/36C	SLP98UH090XV36C	8255664
XC17-030-230	TXV	27,600	16.00	13.00	CX35-30/36C	SLP98UH090XV48C	8255784
XC17-030-230	TXV	27,800	14.50	12.20	CX35-30A		8255670
XC17-030-230	TXV	28,200	16.00	13.00	CX35-30A	EL180UH045E36A	8255666
XC17-030-230	TXV	28,200	16.00	13.00	CX35-30A	EL180UH045XE36A	8255667
XC17-030-230	TXV	28,400	16.00	13.00	CX35-30A	SL280UH070V36A	8255668
XC17-030-230	TXV	28,400	16.00	13.00	CX35-30A	SL280UH070XV36A	8255669
XC17-030-230	TXV	27,800	14.50	12.20	CX35-30B		8255687
XC17-030-230	TXV	28,400	16.00	13.00	CX35-30B	CBWMV-24B-040	8255671
XC17-030-230	TXV	28,400	16.00	13.00	CX35-30B	CBWMV-36B-070	8255672
XC17-030-230	TXV	28,400	17.00	13.50	CX35-30B	EL180UH070E36B	8255673
XC17-030-230	TXV	28,400	17.00	13.50	CX35-30B	EL180UH070XE36B	8255674
XC17-030-230	TXV	28,400	16.00	13.50	CX35-30B	EL180UH090E48B	8255675
XC17-030-230	TXV	28,400	16.00	13.00	CX35-30B	EL180UH090XE48B	8255676
XC17-030-230	TXV	28,400	16.00	13.00	CX35-30B	EL195UH045XE36B	8255677
XC17-030-230	TXV	28,400	16.00	13.00	CX35-30B	EL195UH070XE36B	8255678
XC17-030-230	TXV	28,400	16.00	13.00	CX35-30B	EL296UH045XE36B	8255680
XC17-030-230	TXV	28,200	16.00	13.00	CX35-30B	EL296UH045XV36B	8255679
XC17-030-230	TXV	28,400	16.00	13.00	CX35-30B	EL296UH070XE36B	8255681
XC17-030-230	TXV	28,200	16.00	13.00	CX35-30B	EL296UH070XV36B	8255682
XC17-030-230	TXV	28,400	17.00	13.50	CX35-30B	SL280UH090V36B	8255683
XC17-030-230	TXV	28,600	16.00	13.00	CX35-30B	SL280UH090V48B	8255685
XC17-030-230	TXV	28,400	17.00	13.50	CX35-30B	SL280UH090XV36B	8255684
XC17-030-230	TXV	28,400	16.00	13.00	CX35-30B	SLP98UH070XV36B	8255686
XC17-030-230	TXV	28,000	15.00	12.50	CX35-36A		8255692
XC17-030-230	TXV	28,400	16.00	13.00	CX35-36A	EL180UH045E36A	8255688
XC17-030-230	TXV	28,400	16.00	13.00	CX35-36A	EL180UH045XE36A	8255689
XC17-030-230	TXV	28,600	16.00	13.00	CX35-36A	SL280UH070V36A	8255690
XC17-030-230	TXV	28,600	16.00	13.00	CX35-36A	SL280UH070XV36A	8255691
XC17-030-230	TXV	28,000	15.00	12.50	CX35-36B		8255706
XC17-030-230	TXV	28,600	17.00	13.50	CX35-36B	EL180UH070E36B	8255693
XC17-030-230	TXV	28,600	17.00	13.50	CX35-36B	EL180UH070XE36B	8255694

### NOTES:

TXV = Matched with Thermostatic Expansion Valve.

RFC = Matched with RFC metering device.

Ratings are AHRI Certified to AHRI Standard 210/240 (with 25 ft. of connecting refrigerant lines); 95°F outdoor air temperature, 80°F db / 67°F wb entering evaporator air.

All ratings include the use of a blower time delay relay (TDR). All Lennox variable-speed furnaces and Air Handlers have time delay capabilities. Other Furnaces and Air Handlers may require an optional time delay relay (**58M81**) for field installation. See furnace or air handler specifications to determine if relay is needed.

Also see Expansion Valve Kit Usage Table.

## AHRI SYSTEM MATCHES

NOTE - For the latest up-to-date system matches please visit the AHRI web site at <http://www.ahridirectory.org>

Model No.	Expansion Device	Capacity	SEER	EER	Coil or Air Handler	Furnace	AHRI Reference
XC17-030-230	TXV	28,600	17.00	13.50	CX35-36B	EL180UH090E48B	8255695
XC17-030-230	TXV	28,600	17.00	14.00	CX35-36B	EL180UH090XE48B	8255696
XC17-030-230	TXV	28,600	16.00	13.00	CX35-36B	EL195UH045XE36B	8255697
XC17-030-230	TXV	28,400	16.00	13.00	CX35-36B	EL195UH070XE36B	8255698
XC17-030-230	TXV	28,600	16.00	13.00	CX35-36B	EL296UH045XE36B	8255700
XC17-030-230	TXV	28,400	16.00	13.00	CX35-36B	EL296UH045XV36B	8255699
XC17-030-230	TXV	28,400	16.00	13.00	CX35-36B	EL296UH070XE36B	8255701
XC17-030-230	TXV	28,400	16.00	13.00	CX35-36B	EL296UH070XV36B	8255702
XC17-030-230	TXV	28,600	17.00	14.00	CX35-36B	SL280UH090V36B	8255703
XC17-030-230	TXV	28,800	17.00	13.50	CX35-36B	SL280UH090XV48B	8255704
XC17-030-230	TXV	28,400	16.00	13.00	CX35-36B	SLP98UH070XV36B	8255705
XC17-030-230	TXV	28,000	15.00	12.20	CX35-48B		8255720
XC17-030-230	TXV	28,600	17.00	13.50	CX35-48B	EL180UH070E36B	8255707
XC17-030-230	TXV	28,600	17.00	13.50	CX35-48B	EL180UH070XE36B	8255708
XC17-030-230	TXV	28,600	17.00	13.50	CX35-48B	EL180UH090E48B	8255709
XC17-030-230	TXV	28,600	17.00	14.00	CX35-48B	EL180UH090XE48B	8255710
XC17-030-230	TXV	28,600	16.00	13.00	CX35-48B	EL195UH045XE36B	8255711
XC17-030-230	TXV	28,400	16.00	13.00	CX35-48B	EL195UH070XE36B	8255712
XC17-030-230	TXV	28,600	16.00	13.00	CX35-48B	EL296UH045XE36B	8255714
XC17-030-230	TXV	28,400	16.00	13.00	CX35-48B	EL296UH045XV36B	8255713
XC17-030-230	TXV	28,400	16.00	13.00	CX35-48B	EL296UH070XE36B	8255715
XC17-030-230	TXV	28,400	16.00	13.00	CX35-48B	EL296UH070XV36B	8255716
XC17-030-230	TXV	28,600	17.00	14.00	CX35-48B	SL280UH090V36B	8255717
XC17-030-230	TXV	28,600	17.00	13.50	CX35-48B	SL280UH090XV48B	8255718
XC17-030-230	TXV	28,400	16.00	13.00	CX35-48B	SLP98UH070XV36B	8255719
XC17-030-230	TXV	28,000	15.00	12.20	CX35-48C		8255728
XC17-030-230	TXV	28,400	17.00	14.00	CX35-48C	CBWMV-36C-090	8255721
XC17-030-230	TXV	28,200	16.00	13.00	CX35-48C	EL195UH090XE48C	8255722
XC17-030-230	TXV	28,200	16.00	13.00	CX35-48C	EL296UH090XE48C	8255724
XC17-030-230	TXV	28,800	17.00	14.00	CX35-48C	EL296UH090XV36C	8255725
XC17-030-230	TXV	29,000	17.00	14.00	CX35-48C	EL296UH090XV48C	8255723
XC17-030-230	TXV	28,800	16.00	13.00	CX35-48C	SLP98UH090XV36C	8255726
XC17-030-230	TXV	29,000	17.00	14.00	CX35-48C	SLP98UH090XV49C	8255727
XC17-036-230	TXV	34,200	14.70	12.50	C33-31		5495090
XC17-036-230	TXV	34,800	15.70	13.20	C33-31	EL180UH070E36B	5734481
XC17-036-230	TXV	34,400	15.50	13.20	C33-31	EL180UH070XE36B	5734827
XC17-036-230	TXV	34,600	16.00	13.50	C33-31	EL180UH090E48B	5735526
XC17-036-230	TXV	34,400	15.20	13.00	C33-31	EL195UH045XE36B	5495098
XC17-036-230	TXV	34,400	15.20	13.00	C33-31	EL195UH070XE36B	5495104
XC17-036-230	TXV	34,400	15.20	13.00	C33-31	EL296UH045XE36B	5648683
XC17-036-230	TXV	34,600	15.70	13.20	C33-31	EL296UH045XV36B	5495122
XC17-036-230	TXV	34,400	15.20	13.00	C33-31	EL296UH070XE36B	5648689
XC17-036-230	TXV	34,400	15.70	13.20	C33-31	EL296UH070XV36B	5500878
XC17-036-230	TXV	34,600	15.70	13.20	C33-31	SL280UH070V36A	5495218
XC17-036-230	TXV	34,600	15.70	13.20	C33-31	SL280UH070XV36A	8550759
XC17-036-230	TXV	34,600	15.70	13.20	C33-31	SL280UH090V36B	5495173
XC17-036-230	TXV	34,600	16.20	13.50	C33-31	SL280UH090V48B	5495181
XC17-036-230	TXV	34,600	15.70	13.20	C33-31	SLP98UH070XV36B	5505703
XC17-036-230	TXV	33,200	14.50	12.20	C33-36		5495091

### NOTES:

TXV = Matched with Thermostatic Expansion Valve.

RFC = Matched with RFC metering device.

Ratings are AHRI Certified to AHRI Standard 210/240 (with 25 ft. of connecting refrigerant lines); 95°F outdoor air temperature, 80°F db / 67°F wb entering evaporator air.

All ratings include the use of a blower time delay relay (TDR). All Lennox variable-speed furnaces and Air Handlers have time delay capabilities. Other Furnaces and Air Handlers may require an optional time delay relay (**58M81**) for field installation. See furnace or air handler specifications to determine if relay is needed.

Also see Expansion Valve Kit Usage Table.

## AHRI SYSTEM MATCHES

NOTE - For the latest up-to-date system matches please visit the AHRI web site at <http://www.ahridirectory.org>

Model No.	Expansion Device	Capacity	SEER	EER	Coil or Air Handler	Furnace	AHRI Reference
XC17-036-230	TXV	33,800	15.20	13.00	C33-36	EL180UH070E36B	5734482
XC17-036-230	TXV	33,600	15.20	13.00	C33-36	EL180UH070XE36B	5734828
XC17-036-230	TXV	33,600	15.70	13.50	C33-36	EL180UH090E60C	5736586
XC17-036-230	TXV	33,800	16.00	13.50	C33-36	EL180UH110E60C	5738391
XC17-036-230	TXV	33,400	14.70	12.50	C33-36	EL195UH045XE36B	5495099
XC17-036-230	TXV	33,600	15.00	12.70	C33-36	EL195UH070XE36B	5495105
XC17-036-230	TXV	33,600	15.70	13.20	C33-36	EL195UH090XE48C	5495112
XC17-036-230	TXV	33,800	15.70	13.20	C33-36	EL195UH110XE60C	5495117
XC17-036-230	TXV	33,400	14.70	12.50	C33-36	EL296UH045XE36B	5648684
XC17-036-230	TXV	33,600	15.50	13.00	C33-36	EL296UH045XV36B	5495123
XC17-036-230	TXV	33,600	15.00	12.70	C33-36	EL296UH070XE36B	5648690
XC17-036-230	TXV	33,400	15.50	13.00	C33-36	EL296UH070XV36B	5500879
XC17-036-230	TXV	33,600	15.70	13.20	C33-36	EL296UH090XE48C	5648695
XC17-036-230	TXV	33,400	16.00	13.50	C33-36	EL296UH090XV36C	5558632
XC17-036-230	TXV	33,600	16.00	13.50	C33-36	EL296UH090XV48C	5500912
XC17-036-230	TXV	33,800	15.70	13.20	C33-36	EL296UH110XE60C	5648700
XC17-036-230	TXV	33,800	16.00	13.50	C33-36	EL296UH110XV48C	5587077
XC17-036-230	TXV	33,600	15.20	13.00	C33-36	SL280UH070V36A	5495174
XC17-036-230	TXV	33,600	15.20	13.00	C33-36	SL280UH070XV36A	8550757
XC17-036-230	TXV	33,800	16.00	13.50	C33-36	SL280UH090V36B	5495176
XC17-036-230	TXV	33,800	16.00	13.50	C33-36	SL280UH090V48B	5495182
XC17-036-230	TXV	33,800	15.50	13.00	C33-36	SLP98UH070XV36B	5505704
XC17-036-230	TXV	33,800	16.00	13.50	C33-36	SLP98UH090XV36C	5505709
XC17-036-230	TXV	33,600	16.00	13.50	C33-36	SLP98UH090XV48C	5505714
XC17-036-230	TXV	34,600	15.00	12.70	C33-38		5495259
XC17-036-230	TXV	35,000	16.20	13.70	C33-38	CBWMV-36B-070	5495108
XC17-036-230	TXV	35,200	15.70	13.50	C33-38	EL180UH070E36B	5734483
XC17-036-230	TXV	34,800	15.70	13.20	C33-38	EL180UH070XE36B	5734829
XC17-036-230	TXV	35,000	16.00	13.50	C33-38	EL180UH090E48B	5735528
XC17-036-230	TXV	34,800	15.20	13.00	C33-38	EL195UH045XE36B	5495100
XC17-036-230	TXV	34,800	15.50	13.00	C33-38	EL195UH070XE36B	5495106
XC17-036-230	TXV	34,800	15.20	13.00	C33-38	EL296UH045XE36B	5648685
XC17-036-230	TXV	35,000	16.00	13.50	C33-38	EL296UH045XV36B	5495124
XC17-036-230	TXV	34,800	15.50	13.00	C33-38	EL296UH070XE36B	5648691
XC17-036-230	TXV	34,800	16.00	13.50	C33-38	EL296UH070XV36B	5500880
XC17-036-230	TXV	35,000	16.00	13.50	C33-38	SL280UH070V36A	5495175
XC17-036-230	TXV	35,000	16.00	13.50	C33-38	SL280UH070XV36A	8550758
XC17-036-230	TXV	35,000	16.70	14.00	C33-38	SL280UH090V36B	5495177
XC17-036-230	TXV	35,200	16.50	14.00	C33-38	SL280UH090V48B	5495183
XC17-036-230	TXV	34,800	15.50	13.00	C33-38	SLO185B79/105V42	7109790
XC17-036-230	TXV	35,000	16.00	13.50	C33-38	SLP98UH070XV36B	5505705
XC17-036-230	TXV	33,800	15.20	13.00	C33-42	EL180UH070E36B	5734484
XC17-036-230	TXV	33,600	15.70	13.20	C33-42	EL180UH090E48B	5735530
XC17-036-230	TXV	33,400	14.70	12.50	C33-42	EL195UH045XE36B	5495101
XC17-036-230	TXV	33,600	15.00	12.70	C33-42	EL195UH070XE36B	5495107
XC17-036-230	TXV	33,400	14.70	12.50	C33-42	EL296UH045XE36B	5648686
XC17-036-230	TXV	33,600	15.50	13.00	C33-42	EL296UH045XV36B	5495125
XC17-036-230	TXV	33,600	15.00	12.70	C33-42	EL296UH070XE36B	5648692
XC17-036-230	TXV	33,400	15.50	13.00	C33-42	EL296UH070XV36B	5500881

### NOTES:

TXV = Matched with Thermostatic Expansion Valve.

RFC = Matched with RFC metering device.

Ratings are AHRI Certified to AHRI Standard 210/240 (with 25 ft. of connecting refrigerant lines); 95°F outdoor air temperature, 80°F db / 67°F wb entering evaporator air.

All ratings include the use of a blower time delay relay (TDR). All Lennox variable-speed furnaces and Air Handlers have time delay capabilities. Other Furnaces and Air Handlers may require an optional time delay relay (**58M81**) for field installation. See furnace or air handler specifications to determine if relay is needed.

Also see Expansion Valve Kit Usage Table.

## AHRI SYSTEM MATCHES

NOTE - For the latest up-to-date system matches please visit the AHRI web site at <http://www.ahridirectory.org>

Model No.	Expansion Device	Capacity	SEER	EER	Coil or Air Handler	Furnace	AHRI Reference
XC17-036-230	TXV	33,800	16.00	13.50	C33-42	SL280UH090V36B	5495178
XC17-036-230	TXV	33,800	16.00	13.50	C33-42	SL280UH090V48B	5495184
XC17-036-230	TXV	33,800	15.50	13.00	C33-42	SLP98UH070XV36B	5505706
XC17-036-230	TXV	34,600	15.00	12.70	C33-43		5495092
XC17-036-230	TXV	35,200	16.50	14.00	C33-43	CBWMV-36C-090	5495109
XC17-036-230	TXV	35,000	16.00	13.50	C33-43	EL180UH070E36B	5734485
XC17-036-230	TXV	35,200	16.00	14.00	C33-43	EL180UH090E48B	5735532
XC17-036-230	TXV	35,000	15.20	13.00	C33-43	EL195UH045XE36B	5495102
XC17-036-230	TXV	35,000	16.00	13.50	C33-43	EL195UH070XE36B	5495110
XC17-036-230	TXV	35,000	15.20	13.00	C33-43	EL296UH045XE36B	5648687
XC17-036-230	TXV	35,200	16.20	13.70	C33-43	EL296UH045XV36B	5495126
XC17-036-230	TXV	35,000	16.00	13.50	C33-43	EL296UH070XE36B	5648693
XC17-036-230	TXV	34,800	16.00	13.50	C33-43	EL296UH070XV36B	5500882
XC17-036-230	TXV	35,400	16.00	14.00	C33-43	EL296UH090XV36C	5587083
XC17-036-230	TXV	35,000	16.00	14.00	C33-43	EL296UH090XV48C	5528486
XC17-036-230	TXV	35,400	16.00	14.00	C33-43	EL296UH110XV48C	5587078
XC17-036-230	TXV	35,400	16.50	13.70	C33-43	SL280UH090V36B	5495179
XC17-036-230	TXV	35,200	16.50	14.00	C33-43	SL280UH090V48B	5495185
XC17-036-230	TXV	35,000	16.00	13.50	C33-43	SLP98UH070XV36B	5505707
XC17-036-230	TXV	35,000	16.00	14.00	C33-43	SLP98UH090XV48C	5528489
XC17-036-230	TXV	34,600	15.50	13.00	C33-43B	SLO185B79/105V42	7109788
XC17-036-230	TXV	34,200	14.70	12.50	C33-48		5495093
XC17-036-230	TXV	34,800	15.70	13.20	C33-48	EL180UH070E36B	5734486
XC17-036-230	TXV	34,600	16.00	13.50	C33-48	EL180UH090E48B	5735534
XC17-036-230	TXV	35,000	16.00	14.00	C33-48	EL180UH090E60C	5736588
XC17-036-230	TXV	35,000	16.00	13.50	C33-48	EL180UH110E60C	5738394
XC17-036-230	TXV	34,600	15.20	13.00	C33-48	EL195UH045XE36B	5495103
XC17-036-230	TXV	34,600	15.20	13.00	C33-48	EL195UH070XE36B	5495111
XC17-036-230	TXV	34,800	16.20	13.70	C33-48	EL195UH090XE48C	5495113
XC17-036-230	TXV	35,000	16.50	13.70	C33-48	EL195UH110XE60C	5495118
XC17-036-230	TXV	34,600	15.20	13.00	C33-48	EL296UH045XE36B	5648688
XC17-036-230	TXV	34,800	16.00	13.50	C33-48	EL296UH045XV36B	5495127
XC17-036-230	TXV	34,600	15.20	13.00	C33-48	EL296UH070XE36B	5648694
XC17-036-230	TXV	34,400	15.70	13.50	C33-48	EL296UH070XV36B	5500883
XC17-036-230	TXV	34,800	16.00	13.50	C33-48	EL296UH090XE48C	5648696
XC17-036-230	TXV	34,400	16.00	13.50	C33-48	EL296UH090XV36C	5558633
XC17-036-230	TXV	34,600	16.50	14.00	C33-48	EL296UH090XV48C	5500913
XC17-036-230	TXV	35,200	16.20	13.70	C33-48	EL296UH090XV60C	5500922
XC17-036-230	TXV	35,000	16.00	13.50	C33-48	EL296UH110XE60C	5648701
XC17-036-230	TXV	34,800	16.00	14.00	C33-48	EL296UH110XV48C	5587079
XC17-036-230	TXV	35,200	16.50	14.00	C33-48	EL296UH110XV60C	5500932
XC17-036-230	TXV	34,800	16.50	14.00	C33-48	SL280UH090V36B	5495180
XC17-036-230	TXV	34,800	16.50	13.70	C33-48	SL280UH090V48B	5495186
XC17-036-230	TXV	35,200	16.50	14.00	C33-48	SL280UH090V60C	5495187
XC17-036-230	TXV	35,000	16.20	13.70	C33-48	SL280UH110V60C	5495191
XC17-036-230	TXV	34,600	15.50	13.00	C33-48	SLO185B79/105V42	7109791
XC17-036-230	TXV	34,800	15.70	13.50	C33-48	SLP98UH070XV36B	5505708
XC17-036-230	TXV	34,800	16.20	13.70	C33-48	SLP98UH090XV36C	5505710
XC17-036-230	TXV	34,800	16.50	14.00	C33-48	SLP98UH090XV48C	5505715

### NOTES:

TXV = Matched with Thermostatic Expansion Valve.

RFC = Matched with RFC metering device.

Ratings are AHRI Certified to AHRI Standard 210/240 (with 25 ft. of connecting refrigerant lines); 95°F outdoor air temperature, 80°F db / 67°F wb entering evaporator air.

All ratings include the use of a blower time delay relay (TDR). All Lennox variable-speed furnaces and Air Handlers have time delay capabilities. Other Furnaces and Air Handlers may require an optional time delay relay (**58M81**) for field installation. See furnace or air handler specifications to determine if relay is needed.

Also see Expansion Valve Kit Usage Table.



## AHRI SYSTEM MATCHES

NOTE - For the latest up-to-date system matches please visit the AHRI web site at <http://www.ahridirectory.org>

Model No.	Expansion Device	Capacity	SEER	EER	Coil or Air Handler	Furnace	AHRI Reference
XC17-036-230	TXV	35,200	16.20	13.70	C33-48	SLP98UH090XV60C	5505717
XC17-036-230	TXV	35,200	16.50	14.00	C33-48	SLP98UH110XV60C	5505721
XC17-036-230	TXV	34,800	15.00	12.70	C33-49		5495094
XC17-036-230	TXV	35,600	16.00	14.00	C33-49	EL180UH090E60C	5736590
XC17-036-230	TXV	35,600	16.00	14.00	C33-49	EL180UH110E60C	5738396
XC17-036-230	TXV	35,400	16.50	14.00	C33-49	EL195UH090XE48C	5495114
XC17-036-230	TXV	35,800	16.70	14.20	C33-49	EL195UH110XE60C	5495119
XC17-036-230	TXV	35,400	16.00	14.00	C33-49	EL296UH090XE48C	5648697
XC17-036-230	TXV	35,000	16.00	14.00	C33-49	EL296UH090XV36C	5558634
XC17-036-230	TXV	35,200	16.00	14.00	C33-49	EL296UH090XV48C	5537463
XC17-036-230	TXV	36,000	16.50	14.00	C33-49	EL296UH090XV60C	5500923
XC17-036-230	TXV	35,800	16.00	14.00	C33-49	EL296UH110XE60C	5648702
XC17-036-230	TXV	35,800	16.70	14.20	C33-49	EL296UH110XV60C	5500933
XC17-036-230	TXV	36,000	16.70	14.20	C33-49	SL280UH090V60C	5495188
XC17-036-230	TXV	35,800	16.50	14.00	C33-49	SL280UH110V60C	5495192
XC17-036-230	TXV	35,600	16.50	14.00	C33-49	SLP98UH090XV36C	5505711
XC17-036-230	TXV	36,000	16.50	14.00	C33-49	SLP98UH090XV60C	5505718
XC17-036-230	TXV	35,800	16.70	14.20	C33-49	SLP98UH110XV60C	5505722
XC17-036-230	TXV	34,600	15.00	12.70	C33-50/60C		5495095
XC17-036-230	TXV	35,200	16.00	14.00	C33-50/60C	EL180UH090E60C	5736592
XC17-036-230	TXV	35,400	16.00	14.00	C33-50/60C	EL180UH110E60C	5738397
XC17-036-230	TXV	34,800	16.20	13.70	C33-50/60C	EL195UH090XE48C	5495115
XC17-036-230	TXV	35,200	16.50	13.70	C33-50/60C	EL195UH110XE60C	5495120
XC17-036-230	TXV	34,800	16.00	13.50	C33-50/60C	EL296UH090XE48C	5648698
XC17-036-230	TXV	34,600	16.00	14.00	C33-50/60C	EL296UH090XV36C	5558635
XC17-036-230	TXV	35,600	16.50	13.70	C33-50/60C	EL296UH090XV60C	5500924
XC17-036-230	TXV	35,200	16.00	13.50	C33-50/60C	EL296UH110XE60C	5648703
XC17-036-230	TXV	35,200	16.00	14.00	C33-50/60C	EL296UH110XV48C	5587080
XC17-036-230	TXV	35,400	16.50	14.00	C33-50/60C	EL296UH110XV60C	5500934
XC17-036-230	TXV	35,600	16.70	14.00	C33-50/60C	SL280UH090V60C	5495189
XC17-036-230	TXV	35,400	16.50	14.00	C33-50/60C	SL280UH110V60C	5495193
XC17-036-230	TXV	35,200	16.50	14.00	C33-50/60C	SLP98UH090XV36C	5505712
XC17-036-230	TXV	35,600	16.50	13.70	C33-50/60C	SLP98UH090XV60C	5505719
XC17-036-230	TXV	35,400	16.50	14.00	C33-50/60C	SLP98UH110XV60C	5505723
XC17-036-230	TXV	35,600	15.20	13.00	C33-62C		5495096
XC17-036-230	TXV	36,400	17.00	14.00	C33-62C	EL180UH090E60C	5736594
XC17-036-230	TXV	36,400	17.00	14.00	C33-62C	EL180UH110E60C	5738399
XC17-036-230	TXV	36,200	17.00	14.20	C33-62C	EL195UH090XE48C	5495116
XC17-036-230	TXV	36,200	16.70	14.20	C33-62C	EL195UH110XE60C	5495121
XC17-036-230	TXV	36,200	17.00	14.00	C33-62C	EL296UH090XE48C	5648699
XC17-036-230	TXV	35,800	17.00	14.00	C33-62C	EL296UH090XV36C	5558636
XC17-036-230	TXV	36,000	17.00	14.50	C33-62C	EL296UH090XV48C	5500914
XC17-036-230	TXV	36,600	17.00	14.20	C33-62C	EL296UH090XV60C	5500925
XC17-036-230	TXV	36,200	16.00	14.00	C33-62C	EL296UH110XE60C	5648704
XC17-036-230	TXV	36,400	17.00	14.00	C33-62C	EL296UH110XV48C	6109193
XC17-036-230	TXV	36,600	17.20	14.50	C33-62C	EL296UH110XV60C	5500935
XC17-036-230	TXV	36,600	17.20	14.50	C33-62C	SL280UH090V60C	5495190
XC17-036-230	TXV	36,400	17.00	14.20	C33-62C	SL280UH110V60C	5495194
XC17-036-230	TXV	36,200	17.00	14.20	C33-62C	SLP98UH090XV36C	5505713

### NOTES:

TXV = Matched with Thermostatic Expansion Valve.

RFC = Matched with RFC metering device.

Ratings are AHRI Certified to AHRI Standard 210/240 (with 25 ft. of connecting refrigerant lines); 95°F outdoor air temperature, 80°F db / 67°F wb entering evaporator air.

All ratings include the use of a blower time delay relay (TDR). All Lennox variable-speed furnaces and Air Handlers have time delay capabilities. Other Furnaces and Air Handlers may require an optional time delay relay (**58M81**) for field installation. See furnace or air handler specifications to determine if relay is needed.

Also see Expansion Valve Kit Usage Table.



## AHRI SYSTEM MATCHES

NOTE - For the latest up-to-date system matches please visit the AHRI web site at <http://www.ahridirectory.org>

Model No.	Expansion Device	Capacity	SEER	EER	Coil or Air Handler	Furnace	AHRI Reference
XC17-036-230	TXV	36,000	17.00	14.50	C33-62C	SLP98UH090XV48C	5505716
XC17-036-230	TXV	36,600	17.00	14.20	C33-62C	SLP98UH090XV60C	5505720
XC17-036-230	TXV	36,600	17.20	14.50	C33-62C	SLP98UH110XV60C	5505724
XC17-036-230	TXV	33,200	14.50	12.20	C35-30/36A		8253266
XC17-036-230	TXV	33,800	15.20	13.00	C35-30/36A	EL180UH070E36B	8253273
XC17-036-230	TXV	33,600	15.20	13.00	C35-30/36A	EL180UH070XE36B	8253272
XC17-036-230	TXV	33,400	14.70	12.50	C35-30/36A	EL195UH045XE36B	8253305
XC17-036-230	TXV	33,600	15.00	12.70	C35-30/36A	EL195UH070XE36B	8253303
XC17-036-230	TXV	33,400	14.70	12.50	C35-30/36A	EL296UH045XE36B	8253283
XC17-036-230	TXV	33,600	15.50	13.00	C35-30/36A	EL296UH045XV36B	8253298
XC17-036-230	TXV	33,600	15.00	12.70	C35-30/36A	EL296UH070XE36B	8253281
XC17-036-230	TXV	33,400	15.50	13.00	C35-30/36A	EL296UH070XV36B	8253295
XC17-036-230	TXV	33,600	15.20	13.00	C35-30/36A	SL280UH070V36A	8253310
XC17-036-230	TXV	33,600	15.20	13.00	C35-30/36A	SL280UH070XV36A	8550762
XC17-036-230	TXV	33,800	16.00	13.50	C35-30/36A	SL280UH090V36B	8253308
XC17-036-230	TXV	33,800	16.00	13.50	C35-30/36A	SL280UH090V48B	8253307
XC17-036-230	TXV	33,800	15.50	13.00	C35-30/36A	SLP98UH070XV36B	8253291
XC17-036-230	TXV	33,200	14.50	12.20	C35-30/36B		8255731
XC17-036-230	TXV	33,200	14.50	12.20	C35-30/36C		8253268
XC17-036-230	TXV	33,600	15.70	13.50	C35-30/36C	EL180UH090E60C	8253270
XC17-036-230	TXV	33,800	16.00	13.50	C35-30/36C	EL180UH110E60C	8253276
XC17-036-230	TXV	33,600	15.70	13.20	C35-30/36C	EL195UH090XE48C	8253301
XC17-036-230	TXV	33,800	15.70	13.20	C35-30/36C	EL195UH110XE60C	8253300
XC17-036-230	TXV	33,600	15.70	13.20	C35-30/36C	EL296UH090XE48C	8253280
XC17-036-230	TXV	33,400	16.00	13.50	C35-30/36C	EL296UH090XV36C	8253286
XC17-036-230	TXV	33,600	16.00	13.50	C35-30/36C	EL296UH090XV48C	8253293
XC17-036-230	TXV	33,800	15.70	13.20	C35-30/36C	EL296UH110XE60C	8253278
XC17-036-230	TXV	33,800	16.00	13.50	C35-30/36C	EL296UH110XV48C	8253284
XC17-036-230	TXV	33,800	16.00	13.50	C35-30/36C	SLP98UH090XV36C	8253290
XC17-036-230	TXV	33,600	16.00	13.50	C35-30/36C	SLP98UH090XV48C	8253288
XC17-036-230	TXV	34,200	14.70	12.50	C35-30A		8253238
XC17-036-230	TXV	34,600	15.70	13.20	C35-30A	SL280UH070V36A	8253257
XC17-036-230	TXV	34,600	15.70	13.20	C35-30A	SL280UH070XV36A	8550761
XC17-036-230	TXV	34,200	14.70	12.50	C35-30B		8253240
XC17-036-230	TXV	34,800	15.70	13.20	C35-30B	EL180UH070E36B	8253245
XC17-036-230	TXV	34,400	15.50	13.20	C35-30B	EL180UH070XE36B	8253242
XC17-036-230	TXV	34,600	16.00	13.50	C35-30B	EL180UH090E48B	8253243
XC17-036-230	TXV	34,400	15.20	13.00	C35-30B	EL195UH045XE36B	8253260
XC17-036-230	TXV	34,400	15.20	13.00	C35-30B	EL195UH070XE36B	8253259
XC17-036-230	TXV	34,400	15.20	13.00	C35-30B	EL296UH045XE36B	8253250
XC17-036-230	TXV	34,600	15.70	13.20	C35-30B	EL296UH045XV36B	8253255
XC17-036-230	TXV	34,400	15.20	13.00	C35-30B	EL296UH070XE36B	8253247
XC17-036-230	TXV	34,400	15.70	13.20	C35-30B	EL296UH070XV36B	8253253
XC17-036-230	TXV	34,600	15.70	13.20	C35-30B	SL280UH090V36B	8253264
XC17-036-230	TXV	34,600	16.20	13.50	C35-30B	SL280UH090V48B	8253262
XC17-036-230	TXV	34,600	15.70	13.20	C35-30B	SLP98UH070XV36B	8253251
XC17-036-230	TXV	34,600	15.00	12.70	C35-36A		8253312
XC17-036-230	TXV	35,000	16.00	13.50	C35-36A	SL280UH070V36A	8253340
XC17-036-230	TXV	35,000	16.00	13.50	C35-36A	SL280UH070XV36A	8550753

### NOTES:

TXV = Matched with Thermostatic Expansion Valve.

RFC = Matched with RFC metering device.

Ratings are AHRI Certified to AHRI Standard 210/240 (with 25 ft. of connecting refrigerant lines); 95°F outdoor air temperature, 80°F db / 67°F wb entering evaporator air.

All ratings include the use of a blower time delay relay (TDR). All Lennox variable-speed furnaces and Air Handlers have time delay capabilities. Other Furnaces and Air Handlers may require an optional time delay relay (**58M81**) for field installation. See furnace or air handler specifications to determine if relay is needed.

Also see Expansion Valve Kit Usage Table.

## AHRI SYSTEM MATCHES

NOTE - For the latest up-to-date system matches please visit the AHRI web site at <http://www.ahridirectory.org>

Model No.	Expansion Device	Capacity	SEER	EER	Coil or Air Handler	Furnace	AHRI Reference
XC17-036-230	TXV	34,600	15.00	12.70	C35-36B		8253314
XC17-036-230	TXV	35,000	16.20	13.70	C35-36B	CBWMV-36B-070	8253333
XC17-036-230	TXV	35,200	15.70	13.50	C35-36B	EL180UH070E36B	8253322
XC17-036-230	TXV	34,800	15.70	13.20	C35-36B	EL180UH070XE36B	8253319
XC17-036-230	TXV	35,000	16.00	13.50	C35-36B	EL180UH090E48B	8253320
XC17-036-230	TXV	34,800	15.20	13.00	C35-36B	EL195UH045XE36B	8253336
XC17-036-230	TXV	34,800	15.50	13.00	C35-36B	EL195UH070XE36B	8253335
XC17-036-230	TXV	34,800	15.20	13.00	C35-36B	EL296UH045XE36B	8253326
XC17-036-230	TXV	35,000	16.00	13.50	C35-36B	EL296UH045XV36B	8253331
XC17-036-230	TXV	34,800	15.50	13.00	C35-36B	EL296UH070XE36B	8253324
XC17-036-230	TXV	34,800	16.00	13.50	C35-36B	EL296UH070XV36B	8253329
XC17-036-230	TXV	35,000	16.70	14.00	C35-36B	SL280UH090V36B	8253342
XC17-036-230	TXV	35,200	16.50	14.00	C35-36B	SL280UH090V48B	8253338
XC17-036-230	TXV	34,800	15.50	13.00	C35-36B	SLO185B79/105V42	8253316
XC17-036-230	TXV	35,000	16.00	13.50	C35-36B	SLP98UH070XV36B	8253327
XC17-036-230	TXV	34,600	15.00	12.70	C35-48B		8253346
XC17-036-230	TXV	35,200	16.50	14.00	C35-48B	CBWMV-36C-090	8253365
XC17-036-230	TXV	35,000	16.00	13.50	C35-48B	EL180UH070E36B	8253350
XC17-036-230	TXV	35,200	16.00	14.00	C35-48B	EL180UH090E48B	8253347
XC17-036-230	TXV	35,000	15.20	13.00	C35-48B	EL195UH045XE36B	8253369
XC17-036-230	TXV	35,000	16.00	13.50	C35-48B	EL195UH070XE36B	8253367
XC17-036-230	TXV	35,000	15.20	13.00	C35-48B	EL296UH045XE36B	8253353
XC17-036-230	TXV	35,200	16.20	13.70	C35-48B	EL296UH045XV36B	8253375
XC17-036-230	TXV	35,000	16.00	13.50	C35-48B	EL296UH070XE36B	8253352
XC17-036-230	TXV	34,800	16.00	13.50	C35-48B	EL296UH070XV36B	8253364
XC17-036-230	TXV	35,400	16.50	13.70	C35-48B	SL280UH090V36B	8253374
XC17-036-230	TXV	35,200	16.50	14.00	C35-48B	SL280UH090V48B	8253372
XC17-036-230	TXV	34,600	15.50	13.00	C35-48B	SLO185B79/105V42	8253377
XC17-036-230	TXV	35,000	16.00	13.50	C35-48B	SLP98UH070XV36B	8253362
XC17-036-230	TXV	34,600	15.00	12.70	C35-48C		8253344
XC17-036-230	TXV	35,400	16.00	14.00	C35-48C	EL296UH090XV36C	8253355
XC17-036-230	TXV	35,000	16.00	14.00	C35-48C	EL296UH090XV48C	8253360
XC17-036-230	TXV	35,400	16.00	14.00	C35-48C	EL296UH110XV48C	8253357
XC17-036-230	TXV	35,000	16.00	14.00	C35-48C	SLP98UH090XV48C	8253359
XC17-036-230	TXV	34,800	15.00	12.70	C35-49C		8253379
XC17-036-230	TXV	35,600	16.00	14.00	C35-49C	EL180UH090E60C	8253381
XC17-036-230	TXV	35,600	16.00	14.00	C35-49C	EL180UH110E60C	8253383
XC17-036-230	TXV	35,400	16.50	14.00	C35-49C	EL195UH090XE48C	8253401
XC17-036-230	TXV	35,800	16.70	14.20	C35-49C	EL195UH110XE60C	8253402
XC17-036-230	TXV	35,400	16.00	14.00	C35-49C	EL296UH090XE48C	8253386
XC17-036-230	TXV	35,000	16.00	14.00	C35-49C	EL296UH090XV36C	8253388
XC17-036-230	TXV	35,200	16.00	14.00	C35-49C	EL296UH090XV48C	8253390
XC17-036-230	TXV	36,000	16.50	14.00	C35-49C	EL296UH090XV60C	8253399
XC17-036-230	TXV	35,800	16.00	14.00	C35-49C	EL296UH110XE60C	8253384
XC17-036-230	TXV	35,800	16.70	14.20	C35-49C	EL296UH110XV60C	8253397
XC17-036-230	TXV	36,000	16.70	14.20	C35-49C	SL280UH090V60C	8253404
XC17-036-230	TXV	35,800	16.50	14.00	C35-49C	SL280UH110V60C	8253406
XC17-036-230	TXV	35,600	16.50	14.00	C35-49C	SLP98UH090XV36C	8253396
XC17-036-230	TXV	36,000	16.50	14.00	C35-49C	SLP98UH090XV60C	8253394

### NOTES:

TXV = Matched with Thermostatic Expansion Valve.

RFC = Matched with RFC metering device.

Ratings are AHRI Certified to AHRI Standard 210/240 (with 25 ft. of connecting refrigerant lines); 95°F outdoor air temperature, 80°F db / 67°F wb entering evaporator air.

All ratings include the use of a blower time delay relay (TDR). All Lennox variable-speed furnaces and Air Handlers have time delay capabilities. Other Furnaces and Air Handlers may require an optional time delay relay (**58M81**) for field installation. See furnace or air handler specifications to determine if relay is needed.

Also see Expansion Valve Kit Usage Table.

## AHRI SYSTEM MATCHES

NOTE - For the latest up-to-date system matches please visit the AHRI web site at <http://www.ahridirectory.org>

Model No.	Expansion Device	Capacity	SEER	EER	Coil or Air Handler	Furnace	AHRI Reference
XC17-036-230	TXV	35,800	16.70	14.20	C35-49C	SLP98UH110XV60C	8253392
XC17-036-230	TXV	34,600	15.00	12.70	C35-50/60C		8255732
XC17-036-230	TXV	35,200	16.00	14.00	C35-50/60C	EL180UH090E60C	8255733
XC17-036-230	TXV	35,400	16.00	14.00	C35-50/60C	EL180UH110E60C	8255734
XC17-036-230	TXV	34,800	16.20	13.70	C35-50/60C	EL195UH090XE48C	8255745
XC17-036-230	TXV	35,200	16.50	13.70	C35-50/60C	EL195UH110XE60C	8255744
XC17-036-230	TXV	34,800	16.00	13.50	C35-50/60C	EL296UH090XE48C	8255736
XC17-036-230	TXV	34,600	16.00	14.00	C35-50/60C	EL296UH090XV36C	8255738
XC17-036-230	TXV	35,600	16.50	13.70	C35-50/60C	EL296UH090XV60C	8255743
XC17-036-230	TXV	35,200	16.00	13.50	C35-50/60C	EL296UH110XE60C	8255735
XC17-036-230	TXV	35,200	16.00	14.00	C35-50/60C	EL296UH110XV48C	8255737
XC17-036-230	TXV	35,400	16.50	14.00	C35-50/60C	EL296UH110XV60C	8255742
XC17-036-230	TXV	35,600	16.70	14.00	C35-50/60C	SL280UH090V60C	8255747
XC17-036-230	TXV	35,400	16.50	14.00	C35-50/60C	SL280UH110V60C	8255746
XC17-036-230	TXV	35,200	16.50	14.00	C35-50/60C	SLP98UH090XV36C	8255741
XC17-036-230	TXV	35,600	16.50	13.70	C35-50/60C	SLP98UH090XV60C	8255740
XC17-036-230	TXV	35,400	16.50	14.00	C35-50/60C	SLP98UH110XV60C	8255739
XC17-036-230	TXV	35,600	15.20	13.00	C35-60C		8255748
XC17-036-230	TXV	36,400	17.00	14.00	C35-60C	EL180UH090E60C	8255750
XC17-036-230	TXV	36,400	17.00	14.00	C35-60C	EL180UH110E60C	8255751
XC17-036-230	TXV	36,200	17.00	14.20	C35-60C	EL195UH090XE48C	8255763
XC17-036-230	TXV	36,200	16.70	14.20	C35-60C	EL195UH110XE60C	8255762
XC17-036-230	TXV	36,200	17.00	14.00	C35-60C	EL296UH090XE48C	8255753
XC17-036-230	TXV	35,800	17.00	14.00	C35-60C	EL296UH090XV36C	8255754
XC17-036-230	TXV	36,000	17.00	14.50	C35-60C	EL296UH090XV48C	8255761
XC17-036-230	TXV	36,600	17.00	14.20	C35-60C	EL296UH090XV60C	8255760
XC17-036-230	TXV	36,200	16.00	14.00	C35-60C	EL296UH110XE60C	8255752
XC17-036-230	TXV	36,400	17.00	14.00	C35-60C	EL296UH110XV48C	8255749
XC17-036-230	TXV	36,600	17.20	14.50	C35-60C	EL296UH110XV60C	8255759
XC17-036-230	TXV	36,600	17.20	14.50	C35-60C	SL280UH090V60C	8255765
XC17-036-230	TXV	36,400	17.00	14.20	C35-60C	SL280UH110V60C	8255764
XC17-036-230	TXV	36,200	17.00	14.20	C35-60C	SLP98UH090XV36C	8255758
XC17-036-230	TXV	36,000	17.00	14.50	C35-60C	SLP98UH090XV48C	8255756
XC17-036-230	TXV	36,600	17.00	14.20	C35-60C	SLP98UH090XV60C	8255757
XC17-036-230	TXV	36,600	17.20	14.50	C35-60C	SLP98UH110XV60C	8255755
XC17-036-230	TXV	34,600	16.20	13.70	CBX27UH-036		5221327
XC17-036-230	TXV	35,600	17.00	14.20	CBX27UH-042		5221328
XC17-036-230	TXV	33,600	15.00	12.70	CBX32M-030		5221329
XC17-036-230	TXV	34,000	15.00	12.70	CBX32M-036		5221330
XC17-036-230	TXV	34,000	15.00	12.70	CBX32M-042		5221331
XC17-036-230	TXV	35,200	15.70	13.20	CBX32M-048		5221332
XC17-036-230	TXV	34,200	15.70	13.20	CBX32MV-024/030		5221333
XC17-036-230	TXV	34,600	16.00	13.50	CBX32MV-036		5221334
XC17-036-230	TXV	35,600	17.00	14.50	CBX32MV-048		5221335
XC17-036-230	TXV	34,000	16.50	13.50	CBX40UHV-036		5221336
XC17-036-230	TXV	35,000	17.20	14.00	CBX40UHV-042		5221337
XC17-036-230	TXV	35,200	17.50	14.20	CBX40UHV-048		5221338
XC17-036-230	TXV	33,600	14.50	12.50	CH23-41		5221339
XC17-036-230	TXV	34,200	15.50	13.20	CH23-41	EL180UH045XE36A	5734032

### NOTES:

TXV = Matched with Thermostatic Expansion Valve.

RFC = Matched with RFC metering device.

Ratings are AHRI Certified to AHRI Standard 210/240 (with 25 ft. of connecting refrigerant lines); 95°F outdoor air temperature, 80°F db / 67°F wb entering evaporator air.

All ratings include the use of a blower time delay relay (TDR). All Lennox variable-speed furnaces and Air Handlers have time delay capabilities. Other Furnaces and Air Handlers may require an optional time delay relay (**58M81**) for field installation. See furnace or air handler specifications to determine if relay is needed.

Also see Expansion Valve Kit Usage Table.

## AHRI SYSTEM MATCHES

NOTE - For the latest up-to-date system matches please visit the AHRI web site at <http://www.ahridirectory.org>

Model No.	Expansion Device	Capacity	SEER	EER	Coil or Air Handler	Furnace	AHRI Reference
XC17-036-230	TXV	34,000	16.00	13.50	CH23-41	EL180UH070E36B	5734387
XC17-036-230	TXV	34,200	16.00	13.50	CH23-41	EL180UH090E48B	5735334
XC17-036-230	TXV	34,200	16.00	13.50	CH23-41	EL180UH090E60C	5736421
XC17-036-230	TXV	34,000	15.20	13.00	CH23-41	EL195UH070XE36B	5221020
XC17-036-230	TXV	34,000	16.00	13.50	CH23-41	EL195UH090XE48C	5221032
XC17-036-230	TXV	34,200	16.20	13.70	CH23-41	EL195UH110XE60C	5221043
XC17-036-230	TXV	33,800	15.70	13.20	CH23-41	EL296UH045XV36B	5500877
XC17-036-230	TXV	34,000	15.20	13.00	CH23-41	EL296UH070XE36B	5648161
XC17-036-230	TXV	33,800	15.70	13.20	CH23-41	EL296UH070XV36B	5500884
XC17-036-230	TXV	34,000	16.00	13.50	CH23-41	EL296UH090XE48C	5648179
XC17-036-230	TXV	33,800	16.00	13.50	CH23-41	EL296UH090XV36C	5558641
XC17-036-230	TXV	34,000	16.20	13.70	CH23-41	EL296UH090XV48C	5500915
XC17-036-230	TXV	34,200	16.00	13.50	CH23-41	EL296UH110XE60C	5648190
XC17-036-230	TXV	33,800	16.20	13.70	CH23-41	EL296UH110XV48C	5500931
XC17-036-230	TXV	34,000	16.00	13.50	CH23-41	SL280UH070V36A	5221240
XC17-036-230	TXV	34,000	16.00	13.50	CH23-41	SL280UH070XV36A	8550747
XC17-036-230	TXV	34,200	16.50	13.70	CH23-41	SL280UH090V36B	5221246
XC17-036-230	TXV	34,000	15.70	13.20	CH23-41	SLP98UH070XV36B	5505669
XC17-036-230	TXV	34,200	16.20	13.70	CH23-41	SLP98UH090XV36C	5505681
XC17-036-230	TXV	34,000	16.20	13.70	CH23-41	SLP98UH090XV48C	5505692
XC17-036-230	TXV	33,600	14.50	12.50	CH23-51		5221340
XC17-036-230	TXV	34,400	15.70	13.20	CH23-51	EL180UH045XE36A	5734033
XC17-036-230	TXV	34,000	16.00	13.50	CH23-51	EL180UH070E36B	5734389
XC17-036-230	TXV	34,400	16.00	13.50	CH23-51	EL180UH090E48B	5735337
XC17-036-230	TXV	34,400	16.00	13.50	CH23-51	EL180UH090E60C	5736423
XC17-036-230	TXV	33,800	15.00	12.70	CH23-51	EL195UH045XE36B	5221009
XC17-036-230	TXV	34,200	15.20	13.00	CH23-51	EL195UH070XE36B	5221021
XC17-036-230	TXV	34,200	16.20	13.50	CH23-51	EL195UH090XE48C	5221033
XC17-036-230	TXV	34,400	16.20	13.70	CH23-51	EL195UH110XE60C	5221044
XC17-036-230	TXV	33,800	15.00	12.70	CH23-51	EL296UH045XE36B	5648150
XC17-036-230	TXV	34,200	16.00	13.50	CH23-51	EL296UH045XV36B	5221058
XC17-036-230	TXV	34,200	15.20	13.00	CH23-51	EL296UH070XE36B	5648162
XC17-036-230	TXV	34,000	15.70	13.50	CH23-51	EL296UH070XV36B	5500885
XC17-036-230	TXV	34,200	16.00	13.50	CH23-51	EL296UH090XE48C	5648180
XC17-036-230	TXV	34,000	16.00	13.50	CH23-51	EL296UH090XV36C	5558642
XC17-036-230	TXV	34,200	16.50	13.70	CH23-51	EL296UH090XV48C	5500916
XC17-036-230	TXV	34,400	16.00	13.50	CH23-51	EL296UH110XE60C	5648191
XC17-036-230	TXV	34,400	16.00	14.00	CH23-51	EL296UH110XV48C	5587068
XC17-036-230	TXV	34,200	16.00	13.50	CH23-51	SL280UH070V36A	5221241
XC17-036-230	TXV	34,200	16.00	13.50	CH23-51	SL280UH070XV36A	8550748
XC17-036-230	TXV	34,400	16.50	14.00	CH23-51	SL280UH090V36B	5221247
XC17-036-230	TXV	34,200	15.70	13.50	CH23-51	SLP98UH070XV36B	5505670
XC17-036-230	TXV	34,400	16.20	13.70	CH23-51	SLP98UH090XV36C	5505682
XC17-036-230	TXV	34,200	16.50	13.70	CH23-51	SLP98UH090XV48C	5505693
XC17-036-230	TXV	33,600	15.50	13.00	CH33-36	EL296UH045XV36B	5221059
XC17-036-230	TXV	33,800	16.00	13.50	CH33-36	EL296UH090XV36C	5558643
XC17-036-230	TXV	34,000	16.20	13.70	CH33-36	EL296UH090XV48C	5500917
XC17-036-230	TXV	33,600	15.50	13.00	CH33-36	SLP98UH070XV36B	5505671
XC17-036-230	TXV	34,400	16.00	13.50	CH33-36	SLP98UH090XV36C	5505683

### NOTES:

TXV = Matched with Thermostatic Expansion Valve.

RFC = Matched with RFC metering device.

Ratings are AHRI Certified to AHRI Standard 210/240 (with 25 ft. of connecting refrigerant lines); 95°F outdoor air temperature, 80°F db / 67°F wb entering evaporator air.

All ratings include the use of a blower time delay relay (TDR). All Lennox variable-speed furnaces and Air Handlers have time delay capabilities. Other Furnaces and Air Handlers may require an optional time delay relay (**58M81**) for field installation. See furnace or air handler specifications to determine if relay is needed.

Also see Expansion Valve Kit Usage Table.



## AHRI SYSTEM MATCHES

NOTE - For the latest up-to-date system matches please visit the AHRI web site at <http://www.ahridirectory.org>

Model No.	Expansion Device	Capacity	SEER	EER	Coil or Air Handler	Furnace	AHRI Reference
XC17-036-230	TXV	34,200	16.00	13.50	CH33-36	SLP98UH090XV48C	5505694
XC17-036-230	TXV	33,200	15.00	12.70	CH33-36A	EL180UH045XE36A	5734034
XC17-036-230	TXV	33,400	15.50	13.00	CH33-36A	EL296UH070XV36B	5500886
XC17-036-230	TXV	33,600	15.00	12.70	CH33-36A	SL280UH070V36A	5221242
XC17-036-230	TXV	33,600	15.00	12.70	CH33-36A	SL280UH070XV36A	8550749
XC17-036-230	TXV	33,200	14.50	12.20	CH33-36B		5221341
XC17-036-230	TXV	33,800	15.20	13.00	CH33-36B	EL180UH070E36B	5734390
XC17-036-230	TXV	33,600	15.70	13.20	CH33-36B	EL180UH090E48B	5735339
XC17-036-230	TXV	33,400	14.70	12.50	CH33-36B	EL195UH045XE36B	5221010
XC17-036-230	TXV	33,600	15.00	12.70	CH33-36B	EL195UH070XE36B	5221022
XC17-036-230	TXV	33,400	14.70	12.50	CH33-36B	EL296UH045XE36B	5648151
XC17-036-230	TXV	33,600	15.00	12.70	CH33-36B	EL296UH070XE36B	5648163
XC17-036-230	TXV	33,800	16.00	13.50	CH33-36B	SL280UH090V36B	5221248
XC17-036-230	TXV	33,800	16.00	13.50	CH33-36B	SL280UH090V48B	5244182
XC17-036-230	TXV	33,800	16.00	13.50	CH33-36B	SL280UH090XV48B	5221257
XC17-036-230	TXV	33,800	14.50	12.50	CH33-36C		5221342
XC17-036-230	TXV	34,200	16.00	13.50	CH33-36C	EL180UH090E60C	5736425
XC17-036-230	TXV	34,000	15.70	13.20	CH33-36C	EL195UH090XE48C	5221034
XC17-036-230	TXV	34,200	16.00	13.50	CH33-36C	EL195UH110XE60C	5221045
XC17-036-230	TXV	34,000	15.70	13.20	CH33-36C	EL296UH090XE48C	5648181
XC17-036-230	TXV	34,200	16.00	13.50	CH33-36C	EL296UH110XE60C	5648192
XC17-036-230	TXV	34,400	16.00	13.50	CH33-36C	EL296UH110XV48C	5587069
XC17-036-230	TXV	33,400	14.70	12.50	CH33-42		5221343
XC17-036-230	TXV	34,600	15.70	13.20	CH33-42	EL180UH070E36B	5734391
XC17-036-230	TXV	34,600	16.00	13.50	CH33-42	EL180UH090E48B	5735341
XC17-036-230	TXV	34,200	15.20	12.70	CH33-42	EL195UH045XE36B	5221011
XC17-036-230	TXV	34,400	15.20	13.00	CH33-42	EL195UH070XE36B	5221023
XC17-036-230	TXV	34,200	15.20	12.70	CH33-42	EL296UH045XE36B	5648152
XC17-036-230	TXV	34,400	15.50	13.20	CH33-42	EL296UH045XV36B	5221060
XC17-036-230	TXV	34,400	15.20	13.00	CH33-42	EL296UH070XE36B	5648164
XC17-036-230	TXV	34,200	15.70	13.20	CH33-42	EL296UH070XV36B	5500887
XC17-036-230	TXV	34,600	16.20	13.70	CH33-42	SL280UH090V36B	5221249
XC17-036-230	TXV	34,600	16.00	13.50	CH33-42	SL280UH090V48B	5244183
XC17-036-230	TXV	34,600	16.00	13.50	CH33-42	SL280UH090XV48B	5221258
XC17-036-230	TXV	34,400	15.70	13.20	CH33-42	SLP98UH070XV36B	5505672
XC17-036-230	TXV	36,000	16.00	13.50	CH33-43	EL180UH070E36B	5734392
XC17-036-230	TXV	35,800	16.00	14.00	CH33-43	EL180UH090E48B	5735342
XC17-036-230	TXV	35,600	16.00	14.00	CH33-43	EL180UH090E60C	5736428
XC17-036-230	TXV	35,600	15.70	13.20	CH33-43	EL195UH045XE36B	5221012
XC17-036-230	TXV	35,600	15.70	13.50	CH33-43	EL195UH070XE36B	5221024
XC17-036-230	TXV	35,400	16.70	14.00	CH33-43	EL195UH090XE48C	5221035
XC17-036-230	TXV	35,600	16.70	14.20	CH33-43	EL195UH110XE60C	5221046
XC17-036-230	TXV	35,600	15.70	13.20	CH33-43	EL296UH045XE36B	5648153
XC17-036-230	TXV	35,800	16.20	13.70	CH33-43	EL296UH045XV36B	5221061
XC17-036-230	TXV	35,600	15.70	13.50	CH33-43	EL296UH070XE36B	5648165
XC17-036-230	TXV	35,400	16.00	14.00	CH33-43	EL296UH090XE48C	5648182
XC17-036-230	TXV	35,000	16.00	14.00	CH33-43	EL296UH090XV36C	5558644
XC17-036-230	TXV	35,600	16.00	14.00	CH33-43	EL296UH110XE60C	5648193
XC17-036-230	TXV	35,800	16.20	13.70	CH33-43	SLP98UH070XV36B	5505673

### NOTES:

TXV = Matched with Thermostatic Expansion Valve.

RFC = Matched with RFC metering device.

Ratings are AHRI Certified to AHRI Standard 210/240 (with 25 ft. of connecting refrigerant lines); 95°F outdoor air temperature, 80°F db / 67°F wb entering evaporator air.

All ratings include the use of a blower time delay relay (TDR). All Lennox variable-speed furnaces and Air Handlers have time delay capabilities. Other Furnaces and Air Handlers may require an optional time delay relay (**58M81**) for field installation. See furnace or air handler specifications to determine if relay is needed.

Also see Expansion Valve Kit Usage Table.

## AHRI SYSTEM MATCHES

NOTE - For the latest up-to-date system matches please visit the AHRI web site at <http://www.ahridirectory.org>

Model No.	Expansion Device	Capacity	SEER	EER	Coil or Air Handler	Furnace	AHRI Reference
XC17-036-230	TXV	35,400	16.70	14.00	CH33-43	SLP98UH090XV36C	5505684
XC17-036-230	TXV	35,400	15.20	13.00	CH33-43B		5221344
XC17-036-230	TXV	35,600	16.00	13.00	CH33-43B	CBWMV-36B-070	6720023
XC17-036-230	TXV	35,400	16.20	13.70	CH33-43B	EL296UH070XV36B	5500888
XC17-036-230	TXV	35,600	16.70	14.20	CH33-43B	SL280UH090V36B	5221250
XC17-036-230	TXV	35,800	16.70	14.00	CH33-43B	SL280UH090V48B	5244184
XC17-036-230	TXV	35,800	16.70	14.00	CH33-43B	SL280UH090XV48B	5221259
XC17-036-230	TXV	34,800	15.00	12.70	CH33-43C		5221345
XC17-036-230	TXV	35,400	16.50	13.50	CH33-43C	CBWMV-36C-090	5295916
XC17-036-230	TXV	35,400	16.00	14.00	CH33-43C	EL296UH110XV48C	5587070
XC17-036-230	TXV	34,600	15.00	12.70	CH33-44/48		5221346
XC17-036-230	TXV	35,200	16.00	13.50	CH33-44/48	EL180UH070E36B	5734393
XC17-036-230	TXV	35,000	16.00	13.50	CH33-44/48	EL180UH090E48B	5735344
XC17-036-230	TXV	34,800	15.50	13.00	CH33-44/48	EL195UH045XE36B	5221013
XC17-036-230	TXV	34,800	15.50	13.20	CH33-44/48	EL195UH070XE36B	5221025
XC17-036-230	TXV	34,800	15.50	13.00	CH33-44/48	EL296UH045XE36B	5648154
XC17-036-230	TXV	35,000	15.70	13.50	CH33-44/48	EL296UH045XV36B	5221062
XC17-036-230	TXV	34,800	15.50	13.20	CH33-44/48	EL296UH070XE36B	5648166
XC17-036-230	TXV	34,800	15.70	13.50	CH33-44/48	EL296UH070XV36B	5500889
XC17-036-230	TXV	35,000	16.50	14.00	CH33-44/48	SL280UH090V36B	5221251
XC17-036-230	TXV	35,000	16.20	13.70	CH33-44/48	SL280UH090V48B	5221260
XC17-036-230	TXV	35,000	15.70	13.50	CH33-44/48	SLP98UH070XV36B	5505674
XC17-036-230	TXV	34,600	15.00	12.70	CH33-48		5221347
XC17-036-230	TXV	35,200	16.00	14.00	CH33-48C	EL296UH110XV48C	5587071
XC17-036-230	TXV	35,200	15.20	13.00	CH33-49		5221348
XC17-036-230	TXV	36,000	17.00	14.00	CH33-49	EL180UH090E60C	5736429
XC17-036-230	TXV	35,800	16.70	14.20	CH33-49	EL195UH090XE48C	5221036
XC17-036-230	TXV	36,000	17.00	14.20	CH33-49	EL195UH110XE60C	5221047
XC17-036-230	TXV	35,800	16.00	14.00	CH33-49	EL296UH090XE48C	5648183
XC17-036-230	TXV	35,400	16.00	14.00	CH33-49	EL296UH090XV36C	5558645
XC17-036-230	TXV	36,000	17.00	14.00	CH33-49	EL296UH110XE60C	5648194
XC17-036-230	TXV	36,200	17.00	14.20	CH33-49	SL280UH090V60C	5221267
XC17-036-230	TXV	36,000	16.70	14.00	CH33-49	SL280UH110V60C	5221273
XC17-036-230	TXV	35,800	16.70	14.20	CH33-49	SLP98UH090XV36C	5505685
XC17-036-230	TXV	35,000	15.00	12.70	CH33-50/60C		5221349
XC17-036-230	TXV	35,400	16.00	14.00	CH33-50/60C	EL180UH090E60C	5736431
XC17-036-230	TXV	35,400	16.50	14.00	CH33-50/60C	EL195UH090XE48C	5221037
XC17-036-230	TXV	35,600	16.50	14.00	CH33-50/60C	EL195UH110XE60C	5221048
XC17-036-230	TXV	35,400	16.00	14.00	CH33-50/60C	EL296UH090XE48C	5648184
XC17-036-230	TXV	35,200	16.00	14.00	CH33-50/60C	EL296UH090XV36C	5558646
XC17-036-230	TXV	35,400	16.70	14.20	CH33-50/60C	EL296UH090XV48C	5500918
XC17-036-230	TXV	35,600	16.00	14.00	CH33-50/60C	EL296UH110XE60C	5648195
XC17-036-230	TXV	35,600	17.00	14.00	CH33-50/60C	EL296UH110XV48C	5587072
XC17-036-230	TXV	36,200	17.00	14.20	CH33-50/60C	SL280UH090V60C	5221268
XC17-036-230	TXV	36,000	16.70	14.00	CH33-50/60C	SL280UH110V60C	5221274
XC17-036-230	TXV	35,600	16.70	14.20	CH33-50/60C	SLP98UH090XV36C	5505686
XC17-036-230	TXV	35,600	16.70	14.20	CH33-50/60C	SLP98UH090XV48C	5505695
XC17-036-230	TXV	33,400	15.00	12.50	CH35-36A	EL180UH045XE36A	7165336
XC17-036-230	TXV	33,800	15.10	13.00	CH35-36A	SL280UH070V36A	7165337

### NOTES:

TXV = Matched with Thermostatic Expansion Valve.

RFC = Matched with RFC metering device.

Ratings are AHRI Certified to AHRI Standard 210/240 (with 25 ft. of connecting refrigerant lines); 95°F outdoor air temperature, 80°F db / 67°F wb entering evaporator air.

All ratings include the use of a blower time delay relay (TDR). All Lennox variable-speed furnaces and Air Handlers have time delay capabilities. Other Furnaces and Air Handlers may require an optional time delay relay (**58M81**) for field installation. See furnace or air handler specifications to determine if relay is needed.

Also see Expansion Valve Kit Usage Table.

## AHRI SYSTEM MATCHES

NOTE - For the latest up-to-date system matches please visit the AHRI web site at <http://www.ahridirectory.org>

Model No.	Expansion Device	Capacity	SEER	EER	Coil or Air Handler	Furnace	AHRI Reference
XC17-036-230	TXV	33,800	15.10	13.00	CH35-36A	SL280UH070XV36A	8550760
XC17-036-230	TXV	33,600	14.50	12.20	CH35-36B		7165338
XC17-036-230	TXV	34,000	15.10	13.00	CH35-36B	EL180UH070E36B	7165345
XC17-036-230	TXV	34,000	15.50	13.00	CH35-36B	EL180UH090E48B	7165346
XC17-036-230	TXV	33,800	14.50	12.50	CH35-36B	EL195UH045XE36B	7165339
XC17-036-230	TXV	33,800	15.00	12.50	CH35-36B	EL195UH070XE36B	7165341
XC17-036-230	TXV	33,800	14.50	12.50	CH35-36B	EL296UH045XE36B	7165340
XC17-036-230	TXV	34,000	15.50	13.00	CH35-36B	EL296UH045XV36B	7165343
XC17-036-230	TXV	33,800	15.00	12.50	CH35-36B	EL296UH070XE36B	7165342
XC17-036-230	TXV	33,600	16.00	13.00	CH35-36B	EL296UH070XV36B	7165344
XC17-036-230	TXV	34,000	16.00	13.00	CH35-36B	SL280UH090V36B	7165347
XC17-036-230	TXV	34,200	16.00	13.00	CH35-36B	SL280UH090V48B	7165348
XC17-036-230	TXV	34,000	15.50	13.00	CH35-36B	SLP98UH070XV36B	7165349
XC17-036-230	TXV	33,800	14.50	12.50	CH35-36C		7165350
XC17-036-230	TXV	34,200	16.00	13.00	CH35-36C	EL180UH090E60C	7165356
XC17-036-230	TXV	34,200	16.00	13.00	CH35-36C	EL195UH090XE48C	7167584
XC17-036-230	TXV	34,400	16.00	13.00	CH35-36C	EL195UH110XE60C	7165351
XC17-036-230	TXV	34,200	16.00	13.00	CH35-36C	EL296UH090XE48C	7167585
XC17-036-230	TXV	34,000	16.00	13.00	CH35-36C	EL296UH090XV36C	7165353
XC17-036-230	TXV	34,000	16.00	13.00	CH35-36C	EL296UH090XV48C	7165354
XC17-036-230	TXV	34,400	16.00	13.00	CH35-36C	EL296UH110XE60C	7165352
XC17-036-230	TXV	34,400	16.00	13.00	CH35-36C	EL296UH110XV48C	7165355
XC17-036-230	TXV	34,400	16.00	13.00	CH35-36C	SLP98UH090XV36C	7165357
XC17-036-230	TXV	34,200	16.00	13.00	CH35-36C	SLP98UH090XV48C	7165358
XC17-036-230	TXV	35,400	15.10	13.00	CH35-42B		7165359
XC17-036-230	TXV	35,800	16.00	13.00	CH35-42B	CBWMV-36B-070	7165360
XC17-036-230	TXV	36,000	16.00	13.00	CH35-42B	EL180UH070E36B	7165367
XC17-036-230	TXV	35,800	16.00	13.00	CH35-42B	EL180UH090E48B	7165368
XC17-036-230	TXV	35,600	15.50	13.00	CH35-42B	EL195UH045XE36B	7165361
XC17-036-230	TXV	35,800	15.50	13.00	CH35-42B	EL195UH070XE36B	7165363
XC17-036-230	TXV	35,600	15.50	13.00	CH35-42B	EL296UH045XE36B	7165362
XC17-036-230	TXV	35,800	16.00	13.00	CH35-42B	EL296UH045XV36B	7165365
XC17-036-230	TXV	35,800	15.50	13.00	CH35-42B	EL296UH070XE36B	7165364
XC17-036-230	TXV	35,600	16.00	13.00	CH35-42B	EL296UH070XV36B	7165366
XC17-036-230	TXV	35,800	16.00	14.00	CH35-42B	SL280UH090V36B	7165369
XC17-036-230	TXV	36,000	16.00	13.00	CH35-42B	SL280UH090V48B	7165370
XC17-036-230	TXV	35,800	16.00	13.00	CH35-42B	SLP98UH070XV36B	7165371
XC17-036-230	TXV	35,000	15.00	12.50	CH35-42C		7165372
XC17-036-230	TXV	35,600	16.00	13.00	CH35-42C	CBWMV-36C-090	7165373
XC17-036-230	TXV	35,800	16.00	14.00	CH35-42C	EL180UH090E60C	7165380
XC17-036-230	TXV	35,600	16.00	13.00	CH35-42C	EL195UH090XE48C	7165374
XC17-036-230	TXV	35,800	16.00	14.00	CH35-42C	EL195UH110XE60C	7165376
XC17-036-230	TXV	35,600	16.00	13.00	CH35-42C	EL296UH090XE48C	7165375
XC17-036-230	TXV	35,000	16.00	14.00	CH35-42C	EL296UH090XV36C	7165378
XC17-036-230	TXV	35,800	16.00	14.00	CH35-42C	EL296UH110XE60C	7165377
XC17-036-230	TXV	35,600	16.00	14.00	CH35-42C	EL296UH110XV48C	7165379
XC17-036-230	TXV	35,600	16.00	13.00	CH35-42C	SLP98UH090XV36C	7165381
XC17-036-230	TXV	34,800	15.00	12.50	CH35-48B		7165382
XC17-036-230	TXV	35,400	16.00	13.00	CH35-48B	EL180UH070E36B	7165389

### NOTES:

TXV = Matched with Thermostatic Expansion Valve.

RFC = Matched with RFC metering device.

Ratings are AHRI Certified to AHRI Standard 210/240 (with 25 ft. of connecting refrigerant lines); 95°F outdoor air temperature, 80°F db / 67°F wb entering evaporator air.

All ratings include the use of a blower time delay relay (TDR). All Lennox variable-speed furnaces and Air Handlers have time delay capabilities. Other Furnaces and Air Handlers may require an optional time delay relay (**58M81**) for field installation. See furnace or air handler specifications to determine if relay is needed.

Also see Expansion Valve Kit Usage Table.

## AHRI SYSTEM MATCHES

NOTE - For the latest up-to-date system matches please visit the AHRI web site at <http://www.ahridirectory.org>

Model No.	Expansion Device	Capacity	SEER	EER	Coil or Air Handler	Furnace	AHRI Reference
XC17-036-230	TXV	35,200	16.00	13.00	CH35-48B	EL180UH090E48B	7165390
XC17-036-230	TXV	35,000	15.10	13.00	CH35-48B	EL195UH045XE36B	7165383
XC17-036-230	TXV	35,200	15.50	13.00	CH35-48B	EL195UH070XE36B	7165385
XC17-036-230	TXV	35,000	15.10	13.00	CH35-48B	EL296UH045XE36B	7165384
XC17-036-230	TXV	35,200	15.50	13.00	CH35-48B	EL296UH045XV36B	7165387
XC17-036-230	TXV	35,200	15.50	13.00	CH35-48B	EL296UH070XE36B	7165386
XC17-036-230	TXV	34,800	16.00	13.00	CH35-48B	EL296UH070XV36B	7165388
XC17-036-230	TXV	35,200	16.00	13.00	CH35-48B	SL280UH090V36B	7165391
XC17-036-230	TXV	35,400	16.00	13.00	CH35-48B	SL280UH090V48B	7165392
XC17-036-230	TXV	35,200	16.00	13.00	CH35-48B	SLP98UH070XV36B	7165393
XC17-036-230	TXV	34,800	15.00	12.50	CH35-48C		7165394
XC17-036-230	TXV	35,600	16.00	14.00	CH35-48C	EL296UH110XV48C	7165395
XC17-036-230	TXV	35,200	15.10	13.00	CH35-51C		7165396
XC17-036-230	TXV	35,800	16.00	14.00	CH35-51C	EL180UH090E60C	7165404
XC17-036-230	TXV	35,600	16.00	13.00	CH35-51C	EL195UH090XE48C	7165397
XC17-036-230	TXV	35,800	16.00	13.00	CH35-51C	EL195UH110XE60C	7165399
XC17-036-230	TXV	35,600	16.00	13.00	CH35-51C	EL296UH090XE48C	7165398
XC17-036-230	TXV	35,400	17.00	14.00	CH35-51C	EL296UH090XV36C	7165401
XC17-036-230	TXV	35,600	17.00	14.00	CH35-51C	EL296UH090XV48C	7165402
XC17-036-230	TXV	35,800	16.00	13.00	CH35-51C	EL296UH110XE60C	7165400
XC17-036-230	TXV	36,000	17.00	14.00	CH35-51C	EL296UH110XV48C	7165403
XC17-036-230	TXV	36,000	16.00	14.00	CH35-51C	SL280UH090V60C	7165405
XC17-036-230	TXV	36,000	16.00	14.00	CH35-51C	SL280UH110V60C	7165406
XC17-036-230	TXV	36,000	16.00	14.00	CH35-51C	SLP98UH090XV36C	7165407
XC17-036-230	TXV	35,800	17.00	14.00	CH35-51C	SLP98UH090XV48C	7165408
XC17-036-230	TXV	33,800	14.50	12.50	CR33-30/36		5221350
XC17-036-230	TXV	34,200	16.00	13.50	CR33-30/36	EL180DF0110E60C	5733308
XC17-036-230	TXV	34,000	16.00	13.50	CR33-30/36	EL180DF070E36B	5733401
XC17-036-230	TXV	33,800	15.00	12.70	CR33-30/36	EL195DF045XE36B	5221001
XC17-036-230	TXV	34,000	15.70	13.20	CR33-30/36	EL195DF070XE48B	5221003
XC17-036-230	TXV	34,000	15.70	13.20	CR33-30/36	EL195DF090XE48C	5221005
XC17-036-230	TXV	34,000	15.70	13.20	CR33-30/36	EL195DF110XE60C	5221007
XC17-036-230	TXV	33,800	15.00	12.70	CR33-30/36	EL296DF045XE36B	5648171
XC17-036-230	TXV	34,000	15.50	13.00	CR33-30/36	EL296DF045XV36B	5587064
XC17-036-230	TXV	34,000	15.70	13.20	CR33-30/36	EL296DF070XE48B	5648173
XC17-036-230	TXV	34,000	15.20	12.70	CR33-30/36	EL296DF070XV48B	5587066
XC17-036-230	TXV	34,000	15.70	13.20	CR33-30/36	EL296DF090XE48C	5648175
XC17-036-230	TXV	34,400	15.70	13.20	CR33-30/36	EL296DF090XV60C	5500873
XC17-036-230	TXV	34,000	15.70	13.20	CR33-30/36	EL296DF110XE60C	5648148
XC17-036-230	TXV	34,400	15.70	13.20	CR33-30/36	EL296DF110XV60C	5500875
XC17-036-230	TXV	34,000	15.70	13.20	CR33-30/36	SL280DF090V48B	5221234
XC17-036-230	TXV	34,600	16.20	13.70	CR33-30/36	SL280DF090V60C	5221236
XC17-036-230	TXV	34,400	16.20	13.70	CR33-30/36	SL280DF110V60C	5221238
XC17-036-230	TXV	34,000	15.70	13.20	CR33-30/36	SLP98DF070XV36B	5505659
XC17-036-230	TXV	34,000	16.00	13.50	CR33-30/36	SLP98DF090XV36C	5505661
XC17-036-230	TXV	34,200	15.70	13.50	CR33-30/36	SLP98DF090XV48C	5505663
XC17-036-230	TXV	34,400	15.70	13.20	CR33-30/36	SLP98DF090XV60C	5505665
XC17-036-230	TXV	34,400	15.70	13.20	CR33-30/36	SLP98DF110XV60C	5505667
XC17-036-230	TXV	34,000	14.50	12.50	CR33-48		5221351

### NOTES:

TXV = Matched with Thermostatic Expansion Valve.

RFC = Matched with RFC metering device.

Ratings are AHRI Certified to AHRI Standard 210/240 (with 25 ft. of connecting refrigerant lines); 95°F outdoor air temperature, 80°F db / 67°F wb entering evaporator air.

All ratings include the use of a blower time delay relay (TDR). All Lennox variable-speed furnaces and Air Handlers have time delay capabilities. Other Furnaces and Air Handlers may require an optional time delay relay (**58M81**) for field installation. See furnace or air handler specifications to determine if relay is needed.

Also see Expansion Valve Kit Usage Table.



## AHRI SYSTEM MATCHES

NOTE - For the latest up-to-date system matches please visit the AHRI web site at <http://www.ahridirectory.org>

Model No.	Expansion Device	Capacity	SEER	EER	Coil or Air Handler	Furnace	AHRI Reference
XC17-036-230	TXV	34,600	16.00	13.50	CR33-48	EL180DF0110E60C	5733310
XC17-036-230	TXV	34,000	16.00	13.50	CR33-48	EL180DF070E36B	5733403
XC17-036-230	TXV	34,200	16.00	13.50	CR33-48	EL180DF090E48B	5733472
XC17-036-230	TXV	34,200	15.00	12.70	CR33-48	EL195DF045XE36B	5221002
XC17-036-230	TXV	34,200	15.70	13.20	CR33-48	EL195DF070XE48B	5221004
XC17-036-230	TXV	34,400	16.00	13.50	CR33-48	EL195DF090XE48C	5221006
XC17-036-230	TXV	34,400	16.00	13.50	CR33-48	EL195DF110XE60C	5221008
XC17-036-230	TXV	34,200	15.00	12.70	CR33-48	EL296DF045XE36B	5648172
XC17-036-230	TXV	34,600	16.00	13.50	CR33-48	EL296DF045XV36B	5587065
XC17-036-230	TXV	34,200	15.70	13.20	CR33-48	EL296DF070XE48B	5648174
XC17-036-230	TXV	34,600	15.70	13.20	CR33-48	EL296DF070XV48B	5587067
XC17-036-230	TXV	34,400	16.00	13.50	CR33-48	EL296DF090XE48C	5648176
XC17-036-230	TXV	34,800	16.20	13.70	CR33-48	EL296DF090XV60C	5500874
XC17-036-230	TXV	34,400	16.00	13.50	CR33-48	EL296DF110XE60C	5648149
XC17-036-230	TXV	34,800	16.20	13.70	CR33-48	EL296DF110XV60C	5500876
XC17-036-230	TXV	34,200	16.00	13.50	CR33-48	SL280DF090V48B	5221235
XC17-036-230	TXV	35,000	16.50	13.70	CR33-48	SL280DF090V60C	5221237
XC17-036-230	TXV	34,600	16.50	13.70	CR33-48	SL280DF110V60C	5221239
XC17-036-230	TXV	34,200	16.00	13.50	CR33-48	SLP98DF070XV36B	5505660
XC17-036-230	TXV	34,200	16.00	13.50	CR33-48	SLP98DF090XV36C	5505662
XC17-036-230	TXV	34,600	16.20	13.70	CR33-48	SLP98DF090XV48C	5505664
XC17-036-230	TXV	34,800	16.20	13.70	CR33-48	SLP98DF090XV60C	5505666
XC17-036-230	TXV	34,800	16.20	13.70	CR33-48	SLP98DF110XV60C	5505668
XC17-036-230	TXV	34,200	14.70	12.50	CX34-31		5221352
XC17-036-230	TXV	34,800	15.70	13.20	CX34-31	EL180UH070E36B	5734394
XC17-036-230	TXV	34,400	15.50	13.20	CX34-31	EL180UH070XE36B	5734763
XC17-036-230	TXV	34,600	16.00	13.50	CX34-31	EL180UH090E48B	5735347
XC17-036-230	TXV	34,400	15.20	13.00	CX34-31	EL195UH045XE36B	5221014
XC17-036-230	TXV	34,400	15.20	13.00	CX34-31	EL195UH070XE36B	5221026
XC17-036-230	TXV	34,400	15.20	13.00	CX34-31	EL296UH045XE36B	5648155
XC17-036-230	TXV	34,600	15.70	13.20	CX34-31	EL296UH045XV36B	5221063
XC17-036-230	TXV	34,400	15.20	13.00	CX34-31	EL296UH070XE36B	5648167
XC17-036-230	TXV	34,400	15.70	13.20	CX34-31	EL296UH070XV36B	5500890
XC17-036-230	TXV	34,600	15.70	13.20	CX34-31	SL280UH070V36A	5244181
XC17-036-230	TXV	34,600	15.70	13.20	CX34-31	SL280UH070XV36A	8550752
XC17-036-230	TXV	34,600	15.70	13.20	CX34-31	SL280UH090V36B	5221243
XC17-036-230	TXV	34,600	16.20	13.50	CX34-31	SL280UH090V48B	5221261
XC17-036-230	TXV	34,600	15.70	13.20	CX34-31	SLP98UH070XV36B	5505675
XC17-036-230	TXV	33,200	14.50	12.20	CX34-36		5221353
XC17-036-230	TXV	33,800	15.20	13.00	CX34-36	EL180UH070E36B	5734395
XC17-036-230	TXV	33,600	15.70	13.50	CX34-36	EL180UH090E60C	5736433
XC17-036-230	TXV	33,800	16.00	13.50	CX34-36	EL180UH110E60C	5738236
XC17-036-230	TXV	33,400	14.70	12.50	CX34-36	EL195UH045XE36B	5221015
XC17-036-230	TXV	33,600	15.00	12.70	CX34-36	EL195UH070XE36B	5221027
XC17-036-230	TXV	33,600	15.70	13.20	CX34-36	EL195UH090XE48C	5221038
XC17-036-230	TXV	33,800	15.70	13.20	CX34-36	EL195UH110XE60C	5221049
XC17-036-230	TXV	33,400	14.70	12.50	CX34-36	EL296UH045XE36B	5648156
XC17-036-230	TXV	33,600	15.50	13.00	CX34-36	EL296UH045XV36B	5221064
XC17-036-230	TXV	33,600	15.00	12.70	CX34-36	EL296UH070XE36B	5648168

### NOTES:

TXV = Matched with Thermostatic Expansion Valve.

RFC = Matched with RFC metering device.

Ratings are AHRI Certified to AHRI Standard 210/240 (with 25 ft. of connecting refrigerant lines); 95°F outdoor air temperature, 80°F db / 67°F wb entering evaporator air.

All ratings include the use of a blower time delay relay (TDR). All Lennox variable-speed furnaces and Air Handlers have time delay capabilities. Other Furnaces and Air Handlers may require an optional time delay relay (**58M81**) for field installation. See furnace or air handler specifications to determine if relay is needed.

Also see Expansion Valve Kit Usage Table.

## AHRI SYSTEM MATCHES

NOTE - For the latest up-to-date system matches please visit the AHRI web site at <http://www.ahridirectory.org>

Model No.	Expansion Device	Capacity	SEER	EER	Coil or Air Handler	Furnace	AHRI Reference
XC17-036-230	TXV	33,400	15.50	13.00	CX34-36	EL296UH070XV36B	5500891
XC17-036-230	TXV	33,600	15.70	13.20	CX34-36	EL296UH090XE48C	5648185
XC17-036-230	TXV	33,400	16.00	13.50	CX34-36	EL296UH090XV36C	5558647
XC17-036-230	TXV	33,600	16.00	13.50	CX34-36	EL296UH090XV48C	5500919
XC17-036-230	TXV	33,800	15.70	13.20	CX34-36	EL296UH110XE60C	5648196
XC17-036-230	TXV	33,800	16.00	13.50	CX34-36	EL296UH110XV48C	5587073
XC17-036-230	TXV	33,600	15.20	13.00	CX34-36	SL280UH070V36A	5221244
XC17-036-230	TXV	33,600	15.20	13.00	CX34-36	SL280UH070XV36A	8550750
XC17-036-230	TXV	33,800	16.00	13.50	CX34-36	SL280UH090V36B	5221252
XC17-036-230	TXV	33,800	16.00	13.50	CX34-36	SL280UH090V48B	5221262
XC17-036-230	TXV	33,800	15.50	13.00	CX34-36	SLP98UH070XV36B	5505676
XC17-036-230	TXV	33,800	16.00	13.50	CX34-36	SLP98UH090XV36C	5505687
XC17-036-230	TXV	33,600	16.00	13.50	CX34-36	SLP98UH090XV48C	5505696
XC17-036-230	TXV	34,600	15.00	12.70	CX34-38		5220695
XC17-036-230	TXV	35,000	16.20	13.70	CX34-38	CBWMV-36B-070	5220999
XC17-036-230	TXV	35,200	15.70	13.50	CX34-38	EL180UH070E36B	5734396
XC17-036-230	TXV	35,000	16.00	13.50	CX34-38	EL180UH090E48B	5735349
XC17-036-230	TXV	34,800	15.20	13.00	CX34-38	EL195UH045XE36B	5221016
XC17-036-230	TXV	34,800	15.50	13.00	CX34-38	EL195UH070XE36B	5221028
XC17-036-230	TXV	34,800	15.20	13.00	CX34-38	EL296UH045XE36B	5648157
XC17-036-230	TXV	35,000	16.00	13.50	CX34-38	EL296UH045XV36B	5221065
XC17-036-230	TXV	34,800	15.50	13.00	CX34-38	EL296UH070XE36B	5648169
XC17-036-230	TXV	34,800	16.00	13.50	CX34-38	EL296UH070XV36B	5500892
XC17-036-230	TXV	35,000	16.00	13.50	CX34-38	SL280UH070V36A	5221245
XC17-036-230	TXV	35,000	16.00	13.50	CX34-38	SL280UH070XV36A	8550751
XC17-036-230	TXV	35,000	16.70	14.00	CX34-38	SL280UH090V36B	5221253
XC17-036-230	TXV	35,200	16.50	14.00	CX34-38	SL280UH090V48B	5221263
XC17-036-230	TXV	34,800	15.50	13.00	CX34-38	SLO185B79/105V42	7109793
XC17-036-230	TXV	35,000	16.00	13.50	CX34-38	SLP98UH070XV36B	5505677
XC17-036-230	TXV	33,800	15.20	13.00	CX34-42	EL180UH070E36B	5734397
XC17-036-230	TXV	33,600	15.70	13.20	CX34-42	EL180UH090E48B	5735350
XC17-036-230	TXV	33,400	14.70	12.50	CX34-42	EL195UH045XE36B	5221017
XC17-036-230	TXV	33,600	15.00	12.70	CX34-42	EL195UH070XE36B	5221029
XC17-036-230	TXV	33,400	14.70	12.50	CX34-42	EL296UH045XE36B	5648158
XC17-036-230	TXV	33,600	15.50	13.00	CX34-42	EL296UH045XV36B	5221066
XC17-036-230	TXV	33,600	15.00	12.70	CX34-42	EL296UH070XE36B	5648170
XC17-036-230	TXV	33,400	15.50	13.00	CX34-42	EL296UH070XV36B	5500893
XC17-036-230	TXV	33,800	16.00	13.50	CX34-42	SL280UH090V36B	5221254
XC17-036-230	TXV	33,800	16.00	13.50	CX34-42	SL280UH090V48B	5221264
XC17-036-230	TXV	33,800	15.50	13.00	CX34-42	SLP98UH070XV36B	5505678
XC17-036-230	TXV	34,600	15.00	12.70	CX34-43		5221354
XC17-036-230	TXV	35,200	16.50	14.00	CX34-43	CBWMV-36C-090	5221000
XC17-036-230	TXV	35,000	16.00	13.50	CX34-43	EL180UH070E36B	5734398
XC17-036-230	TXV	35,200	16.00	14.00	CX34-43	EL180UH090E48B	5735352
XC17-036-230	TXV	35,000	15.20	13.00	CX34-43	EL195UH045XE36B	5221018
XC17-036-230	TXV	35,000	16.00	13.50	CX34-43	EL195UH070XE36B	5221030
XC17-036-230	TXV	35,000	15.20	13.00	CX34-43	EL296UH045XE36B	5648159
XC17-036-230	TXV	35,200	16.20	13.70	CX34-43	EL296UH045XV36B	5221067
XC17-036-230	TXV	35,000	16.00	13.50	CX34-43	EL296UH070XE36B	5648177

### NOTES:

TXV = Matched with Thermostatic Expansion Valve.

RFC = Matched with RFC metering device.

Ratings are AHRI Certified to AHRI Standard 210/240 (with 25 ft. of connecting refrigerant lines); 95°F outdoor air temperature, 80°F db / 67°F wb entering evaporator air.

All ratings include the use of a blower time delay relay (TDR). All Lennox variable-speed furnaces and Air Handlers have time delay capabilities. Other Furnaces and Air Handlers may require an optional time delay relay (**58M81**) for field installation. See furnace or air handler specifications to determine if relay is needed.

Also see Expansion Valve Kit Usage Table.

## AHRI SYSTEM MATCHES

NOTE - For the latest up-to-date system matches please visit the AHRI web site at <http://www.ahridirectory.org>

Model No.	Expansion Device	Capacity	SEER	EER	Coil or Air Handler	Furnace	AHRI Reference
XC17-036-230	TXV	34,800	16.00	13.50	CX34-43	EL296UH070XV36B	5500894
XC17-036-230	TXV	35,000	16.00	14.00	CX34-43	EL296UH090XV48C	5528485
XC17-036-230	TXV	35,200	16.00	13.50	CX34-43	EL296UH090XV60C	5500926
XC17-036-230	TXV	35,400	16.00	14.00	CX34-43	EL296UH110XV48C	5587074
XC17-036-230	TXV	35,400	16.50	13.70	CX34-43	SL280UH090V36B	5221255
XC17-036-230	TXV	35,200	16.50	14.00	CX34-43	SL280UH090V48B	5221265
XC17-036-230	TXV	35,000	16.00	13.50	CX34-43	SLP98UH070XV36B	5505679
XC17-036-230	TXV	35,000	16.00	14.00	CX34-43	SLP98UH090XV48C	5528488
XC17-036-230	TXV	34,800	15.50	13.00	CX34-43B	SLO185B79/105V42	7109787
XC17-036-230	TXV	34,200	14.70	12.50	CX34-44/48		5221355
XC17-036-230	TXV	34,800	15.70	13.20	CX34-44/48	EL180UH070E36B	5734399
XC17-036-230	TXV	34,600	16.00	13.50	CX34-44/48	EL180UH090E48B	5735354
XC17-036-230	TXV	35,000	16.00	14.00	CX34-44/48	EL180UH090E60C	5736435
XC17-036-230	TXV	35,000	16.00	13.50	CX34-44/48	EL180UH110E60C	5738237
XC17-036-230	TXV	34,600	15.20	13.00	CX34-44/48	EL195UH045XE36B	5221019
XC17-036-230	TXV	34,600	15.20	13.00	CX34-44/48	EL195UH070XE36B	5221031
XC17-036-230	TXV	34,800	16.20	13.70	CX34-44/48	EL195UH090XE48C	5221039
XC17-036-230	TXV	35,000	16.50	13.70	CX34-44/48	EL195UH110XE60C	5221050
XC17-036-230	TXV	34,600	15.20	13.00	CX34-44/48	EL296UH045XE36B	5648160
XC17-036-230	TXV	34,800	16.00	13.50	CX34-44/48	EL296UH045XV36B	5221068
XC17-036-230	TXV	34,600	15.20	13.00	CX34-44/48	EL296UH070XE36B	5648178
XC17-036-230	TXV	34,400	15.70	13.50	CX34-44/48	EL296UH070XV36B	5500895
XC17-036-230	TXV	34,800	16.00	13.50	CX34-44/48	EL296UH090XE48C	5648186
XC17-036-230	TXV	34,400	16.00	13.50	CX34-44/48	EL296UH090XV36C	5558638
XC17-036-230	TXV	34,600	16.50	14.00	CX34-44/48	EL296UH090XV48C	5500920
XC17-036-230	TXV	35,200	16.20	13.70	CX34-44/48	EL296UH090XV60C	5500927
XC17-036-230	TXV	35,000	16.00	13.50	CX34-44/48	EL296UH110XE60C	5648197
XC17-036-230	TXV	34,800	16.00	14.00	CX34-44/48	EL296UH110XV48C	5587075
XC17-036-230	TXV	35,200	16.50	14.00	CX34-44/48	EL296UH110XV60C	5500936
XC17-036-230	TXV	34,800	16.50	14.00	CX34-44/48	SL280UH090V36B	5221256
XC17-036-230	TXV	34,800	16.50	13.70	CX34-44/48	SL280UH090V48B	5221266
XC17-036-230	TXV	35,200	16.50	14.00	CX34-44/48	SL280UH090V60C	5221269
XC17-036-230	TXV	35,000	16.20	13.70	CX34-44/48	SL280UH110V60C	5221275
XC17-036-230	TXV	34,600	15.50	13.00	CX34-44/48	SLO185B79/105V42	7109789
XC17-036-230	TXV	34,800	15.70	13.50	CX34-44/48	SLP98UH070XV36B	5505680
XC17-036-230	TXV	34,800	16.20	13.70	CX34-44/48	SLP98UH090XV36C	5505688
XC17-036-230	TXV	34,800	16.50	14.00	CX34-44/48	SLP98UH090XV48C	5505697
XC17-036-230	TXV	35,200	16.20	13.70	CX34-44/48	SLP98UH090XV60C	5505699
XC17-036-230	TXV	34,800	15.00	12.70	CX34-49		5221356
XC17-036-230	TXV	35,600	16.00	14.00	CX34-49	EL180UH090E60C	5736437
XC17-036-230	TXV	35,600	16.00	14.00	CX34-49	EL180UH110E60C	5738240
XC17-036-230	TXV	35,400	16.50	14.00	CX34-49	EL195UH090XE48C	5221040
XC17-036-230	TXV	35,800	16.70	14.20	CX34-49	EL195UH110XE60C	5221051
XC17-036-230	TXV	35,400	16.00	14.00	CX34-49	EL296UH090XE48C	5648187
XC17-036-230	TXV	35,000	16.00	14.00	CX34-49	EL296UH090XV36C	5558637
XC17-036-230	TXV	35,200	16.00	14.00	CX34-49	EL296UH090XV48C	5537464
XC17-036-230	TXV	36,000	16.50	14.00	CX34-49	EL296UH090XV60C	5500928
XC17-036-230	TXV	35,800	16.00	14.00	CX34-49	EL296UH110XE60C	5648198
XC17-036-230	TXV	35,800	16.70	14.20	CX34-49	EL296UH110XV60C	5500937

### NOTES:

TXV = Matched with Thermostatic Expansion Valve.

RFC = Matched with RFC metering device.

Ratings are AHRI Certified to AHRI Standard 210/240 (with 25 ft. of connecting refrigerant lines); 95°F outdoor air temperature, 80°F db / 67°F wb entering evaporator air.

All ratings include the use of a blower time delay relay (TDR). All Lennox variable-speed furnaces and Air Handlers have time delay capabilities. Other Furnaces and Air Handlers may require an optional time delay relay (**58M81**) for field installation. See furnace or air handler specifications to determine if relay is needed.

Also see Expansion Valve Kit Usage Table.

## AHRI SYSTEM MATCHES

NOTE - For the latest up-to-date system matches please visit the AHRI web site at <http://www.ahridirectory.org>

Model No.	Expansion Device	Capacity	SEER	EER	Coil or Air Handler	Furnace	AHRI Reference
XC17-036-230	TXV	36,000	16.70	14.20	CX34-49	SL280UH090V60C	5221270
XC17-036-230	TXV	35,800	16.50	14.00	CX34-49	SL280UH110V60C	5221276
XC17-036-230	TXV	35,600	16.50	14.00	CX34-49	SLP98UH090XV36C	5505689
XC17-036-230	TXV	36,000	16.50	14.00	CX34-49	SLP98UH090XV60C	5505700
XC17-036-230	TXV	35,200	16.00	14.00	CX34-49C	SLP98UH090XV48C	6971024
XC17-036-230	TXV	34,600	15.00	12.70	CX34-50/60C		5221357
XC17-036-230	TXV	35,200	16.00	14.00	CX34-50/60C	EL180UH090E60C	5736439
XC17-036-230	TXV	35,400	16.00	14.00	CX34-50/60C	EL180UH110E60C	5738241
XC17-036-230	TXV	34,800	16.20	13.70	CX34-50/60C	EL195UH090XE48C	5221041
XC17-036-230	TXV	35,200	16.50	13.70	CX34-50/60C	EL195UH110XE60C	5221052
XC17-036-230	TXV	34,800	16.00	13.50	CX34-50/60C	EL296UH090XE48C	5648188
XC17-036-230	TXV	34,600	16.00	14.00	CX34-50/60C	EL296UH090XV36C	5558639
XC17-036-230	TXV	35,600	16.50	13.70	CX34-50/60C	EL296UH090XV60C	5500929
XC17-036-230	TXV	35,200	16.00	13.50	CX34-50/60C	EL296UH110XE60C	5648199
XC17-036-230	TXV	35,200	16.00	14.00	CX34-50/60C	EL296UH110XV48C	5587076
XC17-036-230	TXV	35,400	16.50	14.00	CX34-50/60C	EL296UH110XV60C	5500938
XC17-036-230	TXV	35,600	16.70	14.00	CX34-50/60C	SL280UH090V60C	5221271
XC17-036-230	TXV	35,400	16.50	14.00	CX34-50/60C	SL280UH110V60C	5221277
XC17-036-230	TXV	35,200	16.50	14.00	CX34-50/60C	SLP98UH090XV36C	5505690
XC17-036-230	TXV	35,600	16.50	13.70	CX34-50/60C	SLP98UH090XV60C	5505701
XC17-036-230	TXV	35,600	15.20	13.00	CX34-62C		5221358
XC17-036-230	TXV	36,400	17.00	14.00	CX34-62C	EL180UH090E60C	5736442
XC17-036-230	TXV	36,400	17.00	14.00	CX34-62C	EL180UH110E60C	5738243
XC17-036-230	TXV	36,200	17.00	14.20	CX34-62C	EL195UH090XE48C	5221042
XC17-036-230	TXV	36,200	16.70	14.20	CX34-62C	EL195UH110XE60C	5221053
XC17-036-230	TXV	36,200	17.00	14.00	CX34-62C	EL296UH090XE48C	5648189
XC17-036-230	TXV	35,800	17.00	14.00	CX34-62C	EL296UH090XV36C	5558640
XC17-036-230	TXV	36,000	17.00	14.50	CX34-62C	EL296UH090XV48C	5500921
XC17-036-230	TXV	36,600	17.00	14.20	CX34-62C	EL296UH090XV60C	5500930
XC17-036-230	TXV	36,200	16.00	14.00	CX34-62C	EL296UH110XE60C	5648200
XC17-036-230	TXV	36,400	17.00	14.00	CX34-62C	EL296UH110XV48C	6109194
XC17-036-230	TXV	36,600	17.20	14.50	CX34-62C	EL296UH110XV60C	5500939
XC17-036-230	TXV	36,600	17.20	14.50	CX34-62C	SL280UH090V60C	5221272
XC17-036-230	TXV	36,400	17.00	14.20	CX34-62C	SL280UH110V60C	5221278
XC17-036-230	TXV	36,200	17.00	14.20	CX34-62C	SLP98UH090XV36C	5505691
XC17-036-230	TXV	36,000	17.00	14.50	CX34-62C	SLP98UH090XV48C	5505698
XC17-036-230	TXV	36,600	17.00	14.20	CX34-62C	SLP98UH090XV60C	5505702
XC17-036-230	TXV	33,200	14.50	12.20	CX35-30/36A		8253440
XC17-036-230	TXV	33,600	15.20	13.00	CX35-30/36A	SL280UH070V36A	8253474
XC17-036-230	TXV	33,600	15.20	13.00	CX35-30/36A	SL280UH070XV36A	8550755
XC17-036-230	TXV	33,200	14.50	12.20	CX35-30/36B		8253442
XC17-036-230	TXV	33,800	15.20	13.00	CX35-30/36B	EL180UH070E36B	8253449
XC17-036-230	TXV	33,400	14.70	12.50	CX35-30/36B	EL195UH045XE36B	8253483
XC17-036-230	TXV	33,600	15.00	12.70	CX35-30/36B	EL195UH070XE36B	8253481
XC17-036-230	TXV	33,400	14.70	12.50	CX35-30/36B	EL296UH045XE36B	8253454
XC17-036-230	TXV	33,600	15.50	13.00	CX35-30/36B	EL296UH045XV36B	8253476
XC17-036-230	TXV	33,600	15.00	12.70	CX35-30/36B	EL296UH070XE36B	8253453
XC17-036-230	TXV	33,400	15.50	13.00	CX35-30/36B	EL296UH070XV36B	8253469
XC17-036-230	TXV	33,800	16.00	13.50	CX35-30/36B	SL280UH090V36B	8253472

### NOTES:

TXV = Matched with Thermostatic Expansion Valve.

RFC = Matched with RFC metering device.

Ratings are AHRI Certified to AHRI Standard 210/240 (with 25 ft. of connecting refrigerant lines); 95°F outdoor air temperature, 80°F db / 67°F wb entering evaporator air.

All ratings include the use of a blower time delay relay (TDR). All Lennox variable-speed furnaces and Air Handlers have time delay capabilities. Other Furnaces and Air Handlers may require an optional time delay relay (**58M81**) for field installation. See furnace or air handler specifications to determine if relay is needed.

Also see Expansion Valve Kit Usage Table.



## AHRI SYSTEM MATCHES

NOTE - For the latest up-to-date system matches please visit the AHRI web site at <http://www.ahridirectory.org>

Model No.	Expansion Device	Capacity	SEER	EER	Coil or Air Handler	Furnace	AHRI Reference
XC17-036-230	TXV	33,800	16.00	13.50	CX35-30/36B	SL280UH090V48B	8253470
XC17-036-230	TXV	33,800	15.50	13.00	CX35-30/36B	SLP98UH070XV36B	8253465
XC17-036-230	TXV	33,200	14.50	12.20	CX35-30/36C		8253444
XC17-036-230	TXV	33,600	15.70	13.50	CX35-30/36C	EL180UH090E60C	8253445
XC17-036-230	TXV	33,800	16.00	13.50	CX35-30/36C	EL180UH110E60C	8253447
XC17-036-230	TXV	33,600	15.70	13.20	CX35-30/36C	EL195UH090XE48C	8253479
XC17-036-230	TXV	33,800	15.70	13.20	CX35-30/36C	EL195UH110XE60C	8253478
XC17-036-230	TXV	33,600	15.70	13.20	CX35-30/36C	EL296UH090XE48C	8253451
XC17-036-230	TXV	33,400	16.00	13.50	CX35-30/36C	EL296UH090XV36C	8253460
XC17-036-230	TXV	33,600	16.00	13.50	CX35-30/36C	EL296UH090XV48C	8253467
XC17-036-230	TXV	33,800	15.70	13.20	CX35-30/36C	EL296UH110XE60C	8253456
XC17-036-230	TXV	33,800	16.00	13.50	CX35-30/36C	EL296UH110XV48C	8253458
XC17-036-230	TXV	33,800	16.00	13.50	CX35-30/36C	SLP98UH090XV36C	8253463
XC17-036-230	TXV	33,600	16.00	13.50	CX35-30/36C	SLP98UH090XV48C	8253461
XC17-036-230	TXV	34,200	14.70	12.50	CX35-30A		8253414
XC17-036-230	TXV	34,600	15.70	13.20	CX35-30A	SL280UH070V36A	8253429
XC17-036-230	TXV	34,600	15.70	13.20	CX35-30A	SL280UH070XV36A	8550754
XC17-036-230	TXV	34,200	14.70	12.50	CX35-30B		8253415
XC17-036-230	TXV	34,800	15.70	13.20	CX35-30B	EL180UH070E36B	8253420
XC17-036-230	TXV	34,400	15.50	13.20	CX35-30B	EL180UH070XE36B	8253417
XC17-036-230	TXV	34,600	16.00	13.50	CX35-30B	EL180UH090E48B	8253418
XC17-036-230	TXV	34,400	15.20	13.00	CX35-30B	EL195UH045XE36B	8253438
XC17-036-230	TXV	34,400	15.20	13.00	CX35-30B	EL195UH070XE36B	8253436
XC17-036-230	TXV	34,400	15.20	13.00	CX35-30B	EL296UH045XE36B	8253424
XC17-036-230	TXV	34,600	15.70	13.20	CX35-30B	EL296UH045XV36B	8253434
XC17-036-230	TXV	34,400	15.20	13.00	CX35-30B	EL296UH070XE36B	8253422
XC17-036-230	TXV	34,400	15.70	13.20	CX35-30B	EL296UH070XV36B	8253427
XC17-036-230	TXV	34,600	15.70	13.20	CX35-30B	SL280UH090V36B	8253433
XC17-036-230	TXV	34,600	16.20	13.50	CX35-30B	SL280UH090V48B	8253431
XC17-036-230	TXV	34,600	15.70	13.20	CX35-30B	SLP98UH070XV36B	8253425
XC17-036-230	TXV	34,600	15.00	12.70	CX35-36A		8253485
XC17-036-230	TXV	35,000	16.00	13.50	CX35-36A	SL280UH070V36A	8253508
XC17-036-230	TXV	35,000	16.00	13.50	CX35-36A	SL280UH070XV36A	8550756
XC17-036-230	TXV	34,600	15.00	12.70	CX35-36B		8253487
XC17-036-230	TXV	35,000	16.20	13.70	CX35-36B	CBWMV-36B-070	8253489
XC17-036-230	TXV	35,200	15.70	13.50	CX35-36B	EL180UH070E36B	8253495
XC17-036-230	TXV	35,000	16.00	13.50	CX35-36B	EL180UH090E48B	8253493
XC17-036-230	TXV	34,800	15.20	13.00	CX35-36B	EL195UH045XE36B	8253513
XC17-036-230	TXV	34,800	15.50	13.00	CX35-36B	EL195UH070XE36B	8253512
XC17-036-230	TXV	34,800	15.20	13.00	CX35-36B	EL296UH045XE36B	8253498
XC17-036-230	TXV	35,000	16.00	13.50	CX35-36B	EL296UH045XV36B	8253510
XC17-036-230	TXV	34,800	15.50	13.00	CX35-36B	EL296UH070XE36B	8253497
XC17-036-230	TXV	34,800	16.00	13.50	CX35-36B	EL296UH070XV36B	8253502
XC17-036-230	TXV	35,000	16.70	14.00	CX35-36B	SL280UH090V36B	8253506
XC17-036-230	TXV	35,200	16.50	14.00	CX35-36B	SL280UH090V48B	8253504
XC17-036-230	TXV	34,800	15.50	13.00	CX35-36B	SLO185B79/105V42	8253491
XC17-036-230	TXV	35,000	16.00	13.50	CX35-36B	SLP98UH070XV36B	8253500
XC17-036-230	TXV	34,600	15.00	12.70	CX35-48B		8253515
XC17-036-230	TXV	35,200	16.50	14.00	CX35-48B	CBWMV-36C-090	8253519

### NOTES:

TXV = Matched with Thermostatic Expansion Valve.

RFC = Matched with RFC metering device.

Ratings are AHRI Certified to AHRI Standard 210/240 (with 25 ft. of connecting refrigerant lines); 95°F outdoor air temperature, 80°F db / 67°F wb entering evaporator air.

All ratings include the use of a blower time delay relay (TDR). All Lennox variable-speed furnaces and Air Handlers have time delay capabilities. Other Furnaces and Air Handlers may require an optional time delay relay (**58M81**) for field installation. See furnace or air handler specifications to determine if relay is needed.

Also see Expansion Valve Kit Usage Table.

## AHRI SYSTEM MATCHES

NOTE - For the latest up-to-date system matches please visit the AHRI web site at <http://www.ahridirectory.org>

Model No.	Expansion Device	Capacity	SEER	EER	Coil or Air Handler	Furnace	AHRI Reference
XC17-036-230	TXV	35,000	16.00	13.50	CX35-48B	EL180UH070E36B	8253523
XC17-036-230	TXV	35,200	16.00	14.00	CX35-48B	EL180UH090E48B	8253521
XC17-036-230	TXV	35,000	15.20	13.00	CX35-48B	EL195UH045XE36B	8253546
XC17-036-230	TXV	35,000	16.00	13.50	CX35-48B	EL195UH070XE36B	8253544
XC17-036-230	TXV	35,000	15.20	13.00	CX35-48B	EL296UH045XE36B	8253526
XC17-036-230	TXV	35,200	16.20	13.70	CX35-48B	EL296UH045XV36B	8253543
XC17-036-230	TXV	35,000	16.00	13.50	CX35-48B	EL296UH070XE36B	8253524
XC17-036-230	TXV	34,800	16.00	13.50	CX35-48B	EL296UH070XV36B	8253537
XC17-036-230	TXV	35,400	16.50	13.70	CX35-48B	SL280UH090V36B	8253541
XC17-036-230	TXV	35,200	16.50	14.00	CX35-48B	SL280UH090V48B	8253539
XC17-036-230	TXV	34,800	15.50	13.00	CX35-48B	SLO185B79/105V42	8253548
XC17-036-230	TXV	35,000	16.00	13.50	CX35-48B	SLP98UH070XV36B	8253534
XC17-036-230	TXV	34,600	15.00	12.70	CX35-48C		8253517
XC17-036-230	TXV	35,000	16.00	14.00	CX35-48C	EL296UH090XV48C	8253532
XC17-036-230	TXV	35,200	16.00	13.50	CX35-48C	EL296UH090XV60C	8253535
XC17-036-230	TXV	35,400	16.00	14.00	CX35-48C	EL296UH110XV48C	8253528
XC17-036-230	TXV	35,000	16.00	14.00	CX35-48C	SLP98UH090XV48C	8253530
XC17-036-230	TXV	34,800	15.00	12.70	CX35-49C		8253550
XC17-036-230	TXV	35,600	16.00	14.00	CX35-49C	EL180UH090E60C	8253552
XC17-036-230	TXV	35,600	16.00	14.00	CX35-49C	EL180UH110E60C	8253554
XC17-036-230	TXV	35,400	16.50	14.00	CX35-49C	EL195UH090XE48C	8253574
XC17-036-230	TXV	35,800	16.70	14.20	CX35-49C	EL195UH110XE60C	8253573
XC17-036-230	TXV	35,400	16.00	14.00	CX35-49C	EL296UH090XE48C	8253555
XC17-036-230	TXV	35,000	16.00	14.00	CX35-49C	EL296UH090XV36C	8253559
XC17-036-230	TXV	35,200	16.00	14.00	CX35-49C	EL296UH090XV48C	8253561
XC17-036-230	TXV	36,000	16.50	14.00	CX35-49C	EL296UH090XV60C	8253568
XC17-036-230	TXV	35,800	16.00	14.00	CX35-49C	EL296UH110XE60C	8253557
XC17-036-230	TXV	35,800	16.70	14.20	CX35-49C	EL296UH110XV60C	8253566
XC17-036-230	TXV	36,000	16.70	14.20	CX35-49C	SL280UH090V60C	8253571
XC17-036-230	TXV	35,800	16.50	14.00	CX35-49C	SL280UH110V60C	8253570
XC17-036-230	TXV	35,600	16.50	14.00	CX35-49C	SLP98UH090XV36C	8253565
XC17-036-230	TXV	35,200	16.00	14.00	CX35-49C	SLP98UH090XV48C	8253576
XC17-036-230	TXV	36,000	16.50	14.00	CX35-49C	SLP98UH090XV60C	8253563
XC17-036-230	TXV	34,600	15.00	12.70	CX35-50/60C		8253578
XC17-036-230	TXV	35,200	16.00	14.00	CX35-50/60C	EL180UH090E60C	8253579
XC17-036-230	TXV	35,400	16.00	14.00	CX35-50/60C	EL180UH110E60C	8253581
XC17-036-230	TXV	34,800	16.20	13.70	CX35-50/60C	EL195UH090XE48C	8253601
XC17-036-230	TXV	35,200	16.50	13.70	CX35-50/60C	EL195UH110XE60C	8253600
XC17-036-230	TXV	34,800	16.00	13.50	CX35-50/60C	EL296UH090XE48C	8253582
XC17-036-230	TXV	34,600	16.00	14.00	CX35-50/60C	EL296UH090XV36C	8253587
XC17-036-230	TXV	35,600	16.50	13.70	CX35-50/60C	EL296UH090XV60C	8253594
XC17-036-230	TXV	35,200	16.00	13.50	CX35-50/60C	EL296UH110XE60C	8253583
XC17-036-230	TXV	35,200	16.00	14.00	CX35-50/60C	EL296UH110XV48C	8253585
XC17-036-230	TXV	35,400	16.50	14.00	CX35-50/60C	EL296UH110XV60C	8253592
XC17-036-230	TXV	35,600	16.70	14.00	CX35-50/60C	SL280UH090V60C	8253598
XC17-036-230	TXV	35,400	16.50	14.00	CX35-50/60C	SL280UH110V60C	8253596
XC17-036-230	TXV	35,200	16.50	14.00	CX35-50/60C	SLP98UH090XV36C	8253591
XC17-036-230	TXV	35,600	16.50	13.70	CX35-50/60C	SLP98UH090XV60C	8253589
XC17-036-230	TXV	35,600	15.20	13.00	CX35-60C		8255766

### NOTES:

TXV = Matched with Thermostatic Expansion Valve.

RFC = Matched with RFC metering device.

Ratings are AHRI Certified to AHRI Standard 210/240 (with 25 ft. of connecting refrigerant lines); 95°F outdoor air temperature, 80°F db / 67°F wb entering evaporator air.

All ratings include the use of a blower time delay relay (TDR). All Lennox variable-speed furnaces and Air Handlers have time delay capabilities. Other Furnaces and Air Handlers may require an optional time delay relay (**58M81**) for field installation. See furnace or air handler specifications to determine if relay is needed.

Also see Expansion Valve Kit Usage Table.

## AHRI SYSTEM MATCHES

NOTE - For the latest up-to-date system matches please visit the AHRI web site at <http://www.ahridirectory.org>

Model No.	Expansion Device	Capacity	SEER	EER	Coil or Air Handler	Furnace	AHRI Reference
XC17-036-230	TXV	36,400	17.00	14.00	CX35-60C	EL180UH090E60C	8255768
XC17-036-230	TXV	36,400	17.00	14.00	CX35-60C	EL180UH110E60C	8255769
XC17-036-230	TXV	36,200	17.00	14.20	CX35-60C	EL195UH090XE48C	8255782
XC17-036-230	TXV	36,200	16.70	14.20	CX35-60C	EL195UH110XE60C	8255781
XC17-036-230	TXV	36,200	17.00	14.00	CX35-60C	EL296UH090XE48C	8255771
XC17-036-230	TXV	35,800	17.00	14.00	CX35-60C	EL296UH090XV36C	8255772
XC17-036-230	TXV	36,000	17.00	14.50	CX35-60C	EL296UH090XV48C	8255778
XC17-036-230	TXV	36,600	17.00	14.20	CX35-60C	EL296UH090XV60C	8255777
XC17-036-230	TXV	36,200	16.00	14.00	CX35-60C	EL296UH110XE60C	8255770
XC17-036-230	TXV	36,400	17.00	14.00	CX35-60C	EL296UH110XV48C	8255767
XC17-036-230	TXV	36,600	17.20	14.50	CX35-60C	EL296UH110XV60C	8255776
XC17-036-230	TXV	36,600	17.20	14.50	CX35-60C	SL280UH090V60C	8255780
XC17-036-230	TXV	36,400	17.00	14.20	CX35-60C	SL280UH110V60C	8255779
XC17-036-230	TXV	36,200	17.00	14.20	CX35-60C	SLP98UH090XV36C	8255775
XC17-036-230	TXV	36,000	17.00	14.50	CX35-60C	SLP98UH090XV48C	8255773
XC17-036-230	TXV	36,600	17.00	14.20	CX35-60C	SLP98UH090XV60C	8255774
XC17-042-230	TXV	39,500	15.50	12.70	C33-38	EL180UH090E48B	5735142
XC17-042-230	TXV	39,500	15.50	12.70	C33-38	EL180UH090XE48B	5737134
XC17-042-230	TXV	39,000	15.00	12.20	C33-38	EL296UH070XV36B	5058877
XC17-042-230	TXV	39,500	15.50	12.70	C33-38	SL280UH090V36B	4036889
XC17-042-230	TXV	39,500	15.50	12.70	C33-38	SL280UH090V48B	4036891
XC17-042-230	TXV	39,500	15.50	12.70	C33-38	SL280UH090XV48B	4038819
XC17-042-230	TXV	39,000	15.00	12.20	C33-38	SLP98UH070XV36B	5139460
XC17-042-230	TXV	38,000	15.00	12.50	C33-42	EL180UH090E48B	5735145
XC17-042-230	TXV	38,000	15.00	12.50	C33-42	EL180UH090XE48B	5737136
XC17-042-230	TXV	38,000	15.00	12.20	C33-42	SL280UH090V36B	4036892
XC17-042-230	TXV	38,000	15.00	12.20	C33-42	SL280UH090V48B	4036893
XC17-042-230	TXV	38,000	15.00	12.20	C33-42	SL280UH090XV48B	4038822
XC17-042-230	TXV	39,500	14.70	12.20	C33-43		4923605
XC17-042-230	TXV	40,000	16.20	13.20	C33-43	EL180UH090E60C	5736066
XC17-042-230	TXV	40,000	15.70	13.00	C33-43	EL180UH110E60C	5737887
XC17-042-230	TXV	40,000	15.70	13.00	C33-43	EL180UH110XE60C	5738906
XC17-042-230	TXV	39,500	16.00	13.00	C33-43	EL195UH090XE48C	4694524
XC17-042-230	TXV	40,000	15.70	13.00	C33-43	EL195UH110XE60C	4694525
XC17-042-230	TXV	39,500	15.00	12.50	C33-43	EL296UH070XV36B	5058879
XC17-042-230	TXV	39,500	16.00	13.00	C33-43	EL296UH090XE48C	5647393
XC17-042-230	TXV	39,500	15.70	13.00	C33-43	EL296UH090XV36C	5058880
XC17-042-230	TXV	39,500	16.00	13.00	C33-43	EL296UH090XV48C	5058881
XC17-042-230	TXV	39,500	16.00	13.00	C33-43	EL296UH090XV60C	5058882
XC17-042-230	TXV	40,000	15.70	13.00	C33-43	EL296UH110XE60C	5647394
XC17-042-230	TXV	40,000	16.00	13.20	C33-43	EL296UH110XV60C	5058883
XC17-042-230	TXV	39,500	15.50	12.70	C33-43	SL280UH090V36B	4036894
XC17-042-230	TXV	39,500	15.50	12.70	C33-43	SL280UH090V48B	4036895
XC17-042-230	TXV	40,000	16.20	13.20	C33-43	SL280UH090V60C	4036896
XC17-042-230	TXV	39,500	15.50	12.70	C33-43	SL280UH090XV48B	4038826
XC17-042-230	TXV	40,000	16.20	13.20	C33-43	SL280UH090XV60C	4235576
XC17-042-230	TXV	40,000	15.70	13.00	C33-43	SL280UH110V60C	4036897
XC17-042-230	TXV	40,000	15.70	13.00	C33-43	SL280UH110XV60C	4040560
XC17-042-230	TXV	39,500	15.00	12.50	C33-43	SLP98UH070XV36B	5139462

### NOTES:

TXV = Matched with Thermostatic Expansion Valve.

RFC = Matched with RFC metering device.

Ratings are AHRI Certified to AHRI Standard 210/240 (with 25 ft. of connecting refrigerant lines); 95°F outdoor air temperature, 80°F db / 67°F wb entering evaporator air.

All ratings include the use of a blower time delay relay (TDR). All Lennox variable-speed furnaces and Air Handlers have time delay capabilities. Other Furnaces and Air Handlers may require an optional time delay relay (**58M81**) for field installation. See furnace or air handler specifications to determine if relay is needed.

Also see Expansion Valve Kit Usage Table.

## AHRI SYSTEM MATCHES

NOTE - For the latest up-to-date system matches please visit the AHRI web site at <http://www.ahridirectory.org>

Model No.	Expansion Device	Capacity	SEER	EER	Coil or Air Handler	Furnace	AHRI Reference
XC17-042-230	TXV	39,500	15.70	13.00	C33-43	SLP98UH090XV36C	5139463
XC17-042-230	TXV	39,500	16.00	13.00	C33-43	SLP98UH090XV48C	5139464
XC17-042-230	TXV	39,500	16.00	13.00	C33-43	SLP98UH090XV60C	5139465
XC17-042-230	TXV	40,000	16.00	13.20	C33-43	SLP98UH110XV60C	5139466
XC17-042-230	TXV	39,000	15.50	12.70	C33-48	EL180UH090E48B	5735141
XC17-042-230	TXV	39,500	15.70	13.00	C33-48	EL180UH090E60C	5736064
XC17-042-230	TXV	39,000	15.50	12.70	C33-48	EL180UH090XE48B	5737126
XC17-042-230	TXV	39,000	15.50	12.70	C33-48	EL180UH110E60C	5737889
XC17-042-230	TXV	39,000	15.50	12.70	C33-48	EL180UH110XE60C	5738909
XC17-042-230	TXV	39,000	15.50	12.70	C33-48	EL195UH090XE48C	4694585
XC17-042-230	TXV	39,500	15.50	12.70	C33-48	EL195UH110XE60C	4694586
XC17-042-230	TXV	39,000	15.00	12.20	C33-48	EL296UH070XV36B	5058884
XC17-042-230	TXV	39,000	15.50	12.70	C33-48	EL296UH090XE48C	5647404
XC17-042-230	TXV	39,000	15.50	12.50	C33-48	EL296UH090XV36C	5058885
XC17-042-230	TXV	39,000	15.50	12.70	C33-48	EL296UH090XV48C	5058886
XC17-042-230	TXV	39,000	15.70	12.70	C33-48	EL296UH090XV60C	5058887
XC17-042-230	TXV	39,500	15.50	12.70	C33-48	EL296UH110XE60C	5647405
XC17-042-230	TXV	39,500	15.50	12.70	C33-48	EL296UH110XV60C	5058888
XC17-042-230	TXV	39,000	15.50	12.50	C33-48	SL280UH090V36B	4036898
XC17-042-230	TXV	39,500	15.50	12.70	C33-48	SL280UH090V48B	4036899
XC17-042-230	TXV	39,500	15.70	12.70	C33-48	SL280UH090V60C	4036900
XC17-042-230	TXV	39,500	15.50	12.70	C33-48	SL280UH090XV48B	4038830
XC17-042-230	TXV	39,500	15.70	12.70	C33-48	SL280UH090XV60C	4235577
XC17-042-230	TXV	39,500	15.50	12.70	C33-48	SL280UH110V60C	4036901
XC17-042-230	TXV	39,500	15.50	12.70	C33-48	SL280UH110XV60C	4040561
XC17-042-230	TXV	39,000	15.00	12.20	C33-48	SLP98UH070XV36B	5139467
XC17-042-230	TXV	39,000	15.50	12.50	C33-48	SLP98UH090XV36C	5139468
XC17-042-230	TXV	39,000	15.50	12.70	C33-48	SLP98UH090XV48C	5139469
XC17-042-230	TXV	39,000	15.70	12.70	C33-48	SLP98UH090XV60C	5139470
XC17-042-230	TXV	39,500	15.50	12.70	C33-48	SLP98UH110XV60C	5139471
XC17-042-230	TXV	39,500	14.70	12.20	C33-49		4923607
XC17-042-230	TXV	40,000	16.00	13.20	C33-49	EL180UH090E60C	5736068
XC17-042-230	TXV	40,000	16.00	13.20	C33-49	EL180UH110E60C	5737891
XC17-042-230	TXV	40,000	16.00	13.20	C33-49	EL180UH110XE60C	5738910
XC17-042-230	TXV	40,000	15.70	13.00	C33-49	EL195UH090XE48C	4694526
XC17-042-230	TXV	40,500	15.70	13.00	C33-49	EL195UH110XE60C	4694527
XC17-042-230	TXV	40,000	15.70	13.00	C33-49	EL296UH090XE48C	5647395
XC17-042-230	TXV	40,000	16.00	13.00	C33-49	EL296UH090XV36C	5058889
XC17-042-230	TXV	40,000	16.00	13.00	C33-49	EL296UH090XV48C	5058890
XC17-042-230	TXV	40,000	16.00	13.20	C33-49	EL296UH090XV60C	5058891
XC17-042-230	TXV	40,500	15.70	13.00	C33-49	EL296UH110XE60C	5647396
XC17-042-230	TXV	40,500	16.00	13.20	C33-49	EL296UH110XV48C	5587047
XC17-042-230	TXV	40,500	16.20	13.20	C33-49	EL296UH110XV60C	5058892
XC17-042-230	TXV	40,500	16.00	13.00	C33-49	SL280UH090V48B	4215064
XC17-042-230	TXV	40,500	16.20	13.50	C33-49	SL280UH090V60C	4036902
XC17-042-230	TXV	40,500	16.00	13.00	C33-49	SL280UH090XV48B	5535655
XC17-042-230	TXV	40,500	16.20	13.50	C33-49	SL280UH090XV60C	4235578
XC17-042-230	TXV	40,000	16.00	13.00	C33-49	SL280UH110V60C	4036903
XC17-042-230	TXV	40,000	16.00	13.00	C33-49	SL280UH110XV60C	4040562

### NOTES:

TXV = Matched with Thermostatic Expansion Valve.

RFC = Matched with RFC metering device.

Ratings are AHRI Certified to AHRI Standard 210/240 (with 25 ft. of connecting refrigerant lines); 95°F outdoor air temperature, 80°F db / 67°F wb entering evaporator air.

All ratings include the use of a blower time delay relay (TDR). All Lennox variable-speed furnaces and Air Handlers have time delay capabilities. Other Furnaces and Air Handlers may require an optional time delay relay (**58M81**) for field installation. See furnace or air handler specifications to determine if relay is needed.

Also see Expansion Valve Kit Usage Table.



## AHRI SYSTEM MATCHES

NOTE - For the latest up-to-date system matches please visit the AHRI web site at <http://www.ahridirectory.org>

Model No.	Expansion Device	Capacity	SEER	EER	Coil or Air Handler	Furnace	AHRI Reference
XC17-042-230	TXV	40,000	16.00	13.00	C33-49	SLO185B124/141V60	7109929
XC17-042-230	TXV	40,000	16.00	13.00	C33-49	SLO185UF124/141V60	7109853
XC17-042-230	TXV	40,000	16.00	13.00	C33-49	SLP98UH090XV36C	5139472
XC17-042-230	TXV	40,000	16.00	13.00	C33-49	SLP98UH090XV48C	5139473
XC17-042-230	TXV	40,000	16.00	13.20	C33-49	SLP98UH090XV60C	5139474
XC17-042-230	TXV	40,500	16.20	13.20	C33-49	SLP98UH110XV60C	5139475
XC17-042-230	TXV	39,500	15.70	13.00	C33-50/60C	EL180UH090E60C	5736070
XC17-042-230	TXV	39,500	15.70	12.70	C33-50/60C	EL180UH110E60C	5737894
XC17-042-230	TXV	39,500	15.70	12.70	C33-50/60C	EL180UH110XE60C	5738963
XC17-042-230	TXV	39,500	15.70	13.00	C33-50/60C	EL195UH090XE48C	4694528
XC17-042-230	TXV	39,500	15.70	12.70	C33-50/60C	EL195UH110XE60C	4694529
XC17-042-230	TXV	39,500	15.70	13.00	C33-50/60C	EL296UH090XE48C	5647397
XC17-042-230	TXV	39,500	15.50	12.70	C33-50/60C	EL296UH090XV36C	5058893
XC17-042-230	TXV	39,500	15.70	12.70	C33-50/60C	EL296UH090XV48C	5058894
XC17-042-230	TXV	39,500	15.70	13.00	C33-50/60C	EL296UH090XV60C	5058895
XC17-042-230	TXV	39,500	15.70	12.70	C33-50/60C	EL296UH110XE60C	5647398
XC17-042-230	TXV	39,500	15.70	12.70	C33-50/60C	EL296UH110XV48C	5587048
XC17-042-230	TXV	39,500	15.70	12.70	C33-50/60C	EL296UH110XV60C	5058897
XC17-042-230	TXV	40,000	15.70	13.00	C33-50/60C	SL280UH090V60C	4036904
XC17-042-230	TXV	40,000	15.70	13.00	C33-50/60C	SL280UH090XV60C	4235579
XC17-042-230	TXV	39,500	15.70	12.70	C33-50/60C	SL280UH110V60C	4036905
XC17-042-230	TXV	39,500	15.70	12.70	C33-50/60C	SL280UH110XV60C	4040563
XC17-042-230	TXV	39,000	15.50	12.50	C33-50/60C	SLO185B124/141V60	7109931
XC17-042-230	TXV	39,000	15.50	12.50	C33-50/60C	SLO185UF124/141V60	7109872
XC17-042-230	TXV	39,500	15.50	12.70	C33-50/60C	SLP98UH090XV36C	5139476
XC17-042-230	TXV	39,500	15.70	12.70	C33-50/60C	SLP98UH090XV48C	5139477
XC17-042-230	TXV	39,500	15.70	13.00	C33-50/60C	SLP98UH090XV60C	5139478
XC17-042-230	TXV	39,500	15.70	12.70	C33-50/60C	SLP98UH110XV60C	5139485
XC17-042-230	TXV	39,500	14.70	12.20	C33-60D		4923609
XC17-042-230	TXV	40,500	16.50	13.50	C33-60D	EL180UH135E60D	5745994
XC17-042-230	TXV	40,500	16.00	13.20	C33-60D	EL195UH135XE60D	4694530
XC17-042-230	TXV	40,500	16.00	13.20	C33-60D	EL296UH135XE60D	5647399
XC17-042-230	TXV	40,500	16.20	13.20	C33-60D	EL296UH135XV60D	5058898
XC17-042-230	TXV	40,500	16.50	13.50	C33-60D	SL280UH135V60D	4036906
XC17-042-230	TXV	40,000	16.00	13.00	C33-60D	SLO185B124/141V60	7109933
XC17-042-230	TXV	40,000	16.00	13.00	C33-60D	SLO185UF124/141V60	7109855
XC17-042-230	TXV	40,500	16.20	13.20	C33-60D	SLP98UH135XV60D	5139486
XC17-042-230	TXV	41,000	16.50	13.50	C33-62C	EL180UH090E60C	5736072
XC17-042-230	TXV	41,000	16.20	13.20	C33-62C	EL180UH110E60C	5737895
XC17-042-230	TXV	41,000	16.20	13.20	C33-62C	EL180UH110XE60C	5738965
XC17-042-230	TXV	40,500	16.20	13.20	C33-62C	EL195UH090XE48C	4694531
XC17-042-230	TXV	41,000	16.20	13.20	C33-62C	EL195UH110XE60C	4694532
XC17-042-230	TXV	40,500	16.20	13.20	C33-62C	EL296UH090XE48C	5647400
XC17-042-230	TXV	41,000	16.20	13.20	C33-62C	EL296UH090XV36C	5058899
XC17-042-230	TXV	41,000	16.50	13.50	C33-62C	EL296UH090XV48C	5058900
XC17-042-230	TXV	40,500	16.50	13.50	C33-62C	EL296UH090XV60C	5058901
XC17-042-230	TXV	41,000	16.20	13.20	C33-62C	EL296UH110XE60C	5647401
XC17-042-230	TXV	41,000	16.50	13.50	C33-62C	EL296UH110XV60C	5058902
XC17-042-230	TXV	41,500	16.70	13.70	C33-62C	SL280UH090V60C	4036907

### NOTES:

TXV = Matched with Thermostatic Expansion Valve.

RFC = Matched with RFC metering device.

Ratings are AHRI Certified to AHRI Standard 210/240 (with 25 ft. of connecting refrigerant lines); 95°F outdoor air temperature, 80°F db / 67°F wb entering evaporator air.

All ratings include the use of a blower time delay relay (TDR). All Lennox variable-speed furnaces and Air Handlers have time delay capabilities. Other Furnaces and Air Handlers may require an optional time delay relay (**58M81**) for field installation. See furnace or air handler specifications to determine if relay is needed.

Also see Expansion Valve Kit Usage Table.

## AHRI SYSTEM MATCHES

NOTE - For the latest up-to-date system matches please visit the AHRI web site at <http://www.ahridirectory.org>

Model No.	Expansion Device	Capacity	SEER	EER	Coil or Air Handler	Furnace	AHRI Reference
XC17-042-230	TXV	41,500	16.70	13.70	C33-62C	SL280UH090XV60C	4235580
XC17-042-230	TXV	41,000	16.20	13.20	C33-62C	SL280UH110V60C	4036908
XC17-042-230	TXV	41,000	16.20	13.20	C33-62C	SL280UH110XV60C	4040564
XC17-042-230	TXV	40,500	16.50	13.50	C33-62C	SLO185B124/141V60	7109932
XC17-042-230	TXV	40,500	16.50	13.50	C33-62C	SLO185UF124/141V60	7109854
XC17-042-230	TXV	41,000	16.20	13.20	C33-62C	SLP98UH090XV36C	5139487
XC17-042-230	TXV	41,000	16.50	13.50	C33-62C	SLP98UH090XV48C	5139488
XC17-042-230	TXV	40,500	16.50	13.50	C33-62C	SLP98UH090XV60C	5139489
XC17-042-230	TXV	41,000	16.50	13.50	C33-62C	SLP98UH110XV60C	5139491
XC17-042-230	TXV	40,000	14.70	12.20	C33-62D		4923610
XC17-042-230	TXV	41,000	16.50	13.50	C33-62D	EL180UH135E60D	5745995
XC17-042-230	TXV	40,500	16.00	13.20	C33-62D	EL195UH135XE60D	4694533
XC17-042-230	TXV	40,500	16.00	13.20	C33-62D	EL296UH135XE60D	5647402
XC17-042-230	TXV	41,000	16.20	13.50	C33-62D	EL296UH135XV60D	5058896
XC17-042-230	TXV	41,000	16.50	13.50	C33-62D	SL280UH135V60D	4036909
XC17-042-230	TXV	40,000	16.00	13.00	C33-62D	SLO185B124/141V60	7109934
XC17-042-230	TXV	40,000	16.00	13.00	C33-62D	SLO185UF124/141V60	7109856
XC17-042-230	TXV	41,000	16.50	13.50	C33-62D	SLP98UH135XV60D	5139479
XC17-042-230	TXV	39,500	15.50	12.70	C35-36B	EL180UH090E48B	8252748
XC17-042-230	TXV	39,500	15.50	12.70	C35-36B	EL180UH090XE48B	8252746
XC17-042-230	TXV	39,000	15.00	12.20	C35-36B	EL296UH070XV36B	8252752
XC17-042-230	TXV	39,500	15.50	12.70	C35-36B	SL280UH090V36B	8252755
XC17-042-230	TXV	39,500	15.50	12.70	C35-36B	SL280UH090V48B	8252757
XC17-042-230	TXV	39,500	15.50	12.70	C35-36B	SL280UH090XV48B	8252754
XC17-042-230	TXV	39,000	15.00	12.20	C35-36B	SLP98UH070XV36B	8252750
XC17-042-230	TXV	39,500	14.70	12.20	C35-48B		8252759
XC17-042-230	TXV	39,500	15.00	12.50	C35-48B	EL296UH070XV36B	8252781
XC17-042-230	TXV	39,500	15.50	12.70	C35-48B	SL280UH090V36B	8252805
XC17-042-230	TXV	39,500	15.50	12.70	C35-48B	SL280UH090V48B	8252800
XC17-042-230	TXV	39,500	15.50	12.70	C35-48B	SL280UH090XV48B	8252798
XC17-042-230	TXV	39,500	15.00	12.50	C35-48B	SLP98UH070XV36B	8252776
XC17-042-230	TXV	39,500	14.70	12.20	C35-48C		8252761
XC17-042-230	TXV	40,000	16.20	13.20	C35-48C	EL180UH090E60C	8252763
XC17-042-230	TXV	40,000	15.70	13.00	C35-48C	EL180UH110E60C	8252764
XC17-042-230	TXV	40,000	15.70	13.00	C35-48C	EL180UH110XE60C	8252766
XC17-042-230	TXV	39,500	16.00	13.00	C35-48C	EL195UH090XE48C	8252791
XC17-042-230	TXV	40,000	15.70	13.00	C35-48C	EL195UH110XE60C	8252793
XC17-042-230	TXV	39,500	16.00	13.00	C35-48C	EL296UH090XE48C	8252768
XC17-042-230	TXV	39,500	15.70	13.00	C35-48C	EL296UH090XV36C	8252783
XC17-042-230	TXV	39,500	16.00	13.00	C35-48C	EL296UH090XV48C	8252785
XC17-042-230	TXV	39,500	16.00	13.00	C35-48C	EL296UH090XV60C	8252787
XC17-042-230	TXV	40,000	15.70	13.00	C35-48C	EL296UH110XE60C	8252770
XC17-042-230	TXV	40,000	16.00	13.20	C35-48C	EL296UH110XV60C	8252789
XC17-042-230	TXV	40,000	16.20	13.20	C35-48C	SL280UH090V60C	8252802
XC17-042-230	TXV	40,000	16.20	13.20	C35-48C	SL280UH090XV60C	8252795
XC17-042-230	TXV	40,000	15.70	13.00	C35-48C	SL280UH110V60C	8252804
XC17-042-230	TXV	40,000	15.70	13.00	C35-48C	SL280UH110XV60C	8252796
XC17-042-230	TXV	39,500	15.70	13.00	C35-48C	SLP98UH090XV36C	8252778
XC17-042-230	TXV	39,500	16.00	13.00	C35-48C	SLP98UH090XV48C	8252779

### NOTES:

TXV = Matched with Thermostatic Expansion Valve.

RFC = Matched with RFC metering device.

Ratings are AHRI Certified to AHRI Standard 210/240 (with 25 ft. of connecting refrigerant lines); 95°F outdoor air temperature, 80°F db / 67°F wb entering evaporator air.

All ratings include the use of a blower time delay relay (TDR). All Lennox variable-speed furnaces and Air Handlers have time delay capabilities. Other Furnaces and Air Handlers may require an optional time delay relay (**58M81**) for field installation. See furnace or air handler specifications to determine if relay is needed.

Also see Expansion Valve Kit Usage Table.

## AHRI SYSTEM MATCHES

NOTE - For the latest up-to-date system matches please visit the AHRI web site at <http://www.ahridirectory.org>

Model No.	Expansion Device	Capacity	SEER	EER	Coil or Air Handler	Furnace	AHRI Reference
XC17-042-230	TXV	39,500	16.00	13.00	C35-48C	SLP98UH090XV60C	8252772
XC17-042-230	TXV	40,000	16.00	13.20	C35-48C	SLP98UH110XV60C	8252774
XC17-042-230	TXV	39,500	14.70	12.20	C35-49C		8252807
XC17-042-230	TXV	40,000	16.00	13.20	C35-49C	EL180UH090E60C	8252812
XC17-042-230	TXV	40,000	16.00	13.20	C35-49C	EL180UH110E60C	8252814
XC17-042-230	TXV	40,000	16.00	13.20	C35-49C	EL180UH110XE60C	8252816
XC17-042-230	TXV	40,000	15.70	13.00	C35-49C	EL195UH090XE48C	8252842
XC17-042-230	TXV	40,500	15.70	13.00	C35-49C	EL195UH110XE60C	8252839
XC17-042-230	TXV	40,000	15.70	13.00	C35-49C	EL296UH090XE48C	8252818
XC17-042-230	TXV	40,000	16.00	13.00	C35-49C	EL296UH090XV36C	8252836
XC17-042-230	TXV	40,000	16.00	13.00	C35-49C	EL296UH090XV48C	8252837
XC17-042-230	TXV	40,000	16.00	13.20	C35-49C	EL296UH090XV60C	8252832
XC17-042-230	TXV	40,500	15.70	13.00	C35-49C	EL296UH110XE60C	8252820
XC17-042-230	TXV	40,500	16.00	13.20	C35-49C	EL296UH110XV48C	8252823
XC17-042-230	TXV	40,500	16.20	13.20	C35-49C	EL296UH110XV60C	8252834
XC17-042-230	TXV	40,500	16.00	13.00	C35-49C	SL280UH090V48B	8252845
XC17-042-230	TXV	40,500	16.20	13.50	C35-49C	SL280UH090V60C	8252849
XC17-042-230	TXV	40,500	16.00	13.00	C35-49C	SL280UH090XV48B	8252821
XC17-042-230	TXV	40,500	16.20	13.50	C35-49C	SL280UH090XV60C	8252844
XC17-042-230	TXV	40,000	16.00	13.00	C35-49C	SL280UH110V60C	8252851
XC17-042-230	TXV	40,000	16.00	13.00	C35-49C	SL280UH110XV60C	8252847
XC17-042-230	TXV	40,000	16.00	13.00	C35-49C	SLO185B124/141V60	8252809
XC17-042-230	TXV	40,000	16.00	13.00	C35-49C	SLO185UF124/141V60	8252811
XC17-042-230	TXV	40,000	16.00	13.00	C35-49C	SLP98UH090XV36C	8252825
XC17-042-230	TXV	40,000	16.00	13.00	C35-49C	SLP98UH090XV48C	8252827
XC17-042-230	TXV	40,000	16.00	13.20	C35-49C	SLP98UH090XV60C	8252828
XC17-042-230	TXV	40,500	16.20	13.20	C35-49C	SLP98UH110XV60C	8252830
XC17-042-230	TXV	39,500	15.70	13.00	C35-50/60C	EL180UH090E60C	8252856
XC17-042-230	TXV	39,500	15.70	12.70	C35-50/60C	EL180UH110E60C	8252860
XC17-042-230	TXV	39,500	15.70	12.70	C35-50/60C	EL180UH110XE60C	8252858
XC17-042-230	TXV	39,500	15.70	13.00	C35-50/60C	EL195UH090XE48C	8252883
XC17-042-230	TXV	39,500	15.70	12.70	C35-50/60C	EL195UH110XE60C	8252885
XC17-042-230	TXV	39,500	15.70	13.00	C35-50/60C	EL296UH090XE48C	8252862
XC17-042-230	TXV	39,500	15.50	12.70	C35-50/60C	EL296UH090XV36C	8252878
XC17-042-230	TXV	39,500	15.70	12.70	C35-50/60C	EL296UH090XV48C	8252879
XC17-042-230	TXV	39,500	15.70	13.00	C35-50/60C	EL296UH090XV60C	8252881
XC17-042-230	TXV	39,500	15.70	12.70	C35-50/60C	EL296UH110XE60C	8252864
XC17-042-230	TXV	39,500	15.70	12.70	C35-50/60C	EL296UH110XV48C	8252865
XC17-042-230	TXV	39,500	15.70	12.70	C35-50/60C	EL296UH110XV60C	8252876
XC17-042-230	TXV	40,000	15.70	13.00	C35-50/60C	SL280UH090V60C	8252890
XC17-042-230	TXV	40,000	15.70	13.00	C35-50/60C	SL280UH090XV60C	8252886
XC17-042-230	TXV	39,500	15.70	12.70	C35-50/60C	SL280UH110V60C	8252892
XC17-042-230	TXV	39,500	15.70	12.70	C35-50/60C	SL280UH110XV60C	8252888
XC17-042-230	TXV	39,000	15.50	12.50	C35-50/60C	SLO185B124/141V60	8252854
XC17-042-230	TXV	39,000	15.50	12.50	C35-50/60C	SLO185UF124/141V60	8252853
XC17-042-230	TXV	39,500	15.50	12.70	C35-50/60C	SLP98UH090XV36C	8252874
XC17-042-230	TXV	39,500	15.70	12.70	C35-50/60C	SLP98UH090XV48C	8252868
XC17-042-230	TXV	39,500	15.70	13.00	C35-50/60C	SLP98UH090XV60C	8252870
XC17-042-230	TXV	39,500	15.70	12.70	C35-50/60C	SLP98UH110XV60C	8252872

### NOTES:

TXV = Matched with Thermostatic Expansion Valve.

RFC = Matched with RFC metering device.

Ratings are AHRI Certified to AHRI Standard 210/240 (with 25 ft. of connecting refrigerant lines); 95°F outdoor air temperature, 80°F db / 67°F wb entering evaporator air.

All ratings include the use of a blower time delay relay (TDR). All Lennox variable-speed furnaces and Air Handlers have time delay capabilities. Other Furnaces and Air Handlers may require an optional time delay relay (**58M81**) for field installation. See furnace or air handler specifications to determine if relay is needed.

Also see Expansion Valve Kit Usage Table.

## AHRI SYSTEM MATCHES

NOTE - For the latest up-to-date system matches please visit the AHRI web site at <http://www.ahridirectory.org>

Model No.	Expansion Device	Capacity	SEER	EER	Coil or Air Handler	Furnace	AHRI Reference
XC17-042-230	TXV	41,000	16.50	13.50	C35-60C	EL180UH090E60C	8255787
XC17-042-230	TXV	41,000	16.20	13.20	C35-60C	EL180UH110E60C	8255789
XC17-042-230	TXV	41,000	16.20	13.20	C35-60C	EL180UH110XE60C	8255788
XC17-042-230	TXV	40,500	16.20	13.20	C35-60C	EL195UH090XE48C	8255800
XC17-042-230	TXV	41,000	16.20	13.20	C35-60C	EL195UH110XE60C	8255801
XC17-042-230	TXV	40,500	16.20	13.20	C35-60C	EL296UH090XE48C	8255790
XC17-042-230	TXV	41,000	16.20	13.20	C35-60C	EL296UH090XV36C	8255796
XC17-042-230	TXV	41,000	16.50	13.50	C35-60C	EL296UH090XV48C	8255797
XC17-042-230	TXV	40,500	16.50	13.50	C35-60C	EL296UH090XV60C	8255798
XC17-042-230	TXV	41,000	16.20	13.20	C35-60C	EL296UH110XE60C	8255791
XC17-042-230	TXV	41,000	16.50	13.50	C35-60C	EL296UH110XV60C	8255799
XC17-042-230	TXV	41,500	16.70	13.70	C35-60C	SL280UH090V60C	8255804
XC17-042-230	TXV	41,500	16.70	13.70	C35-60C	SL280UH090XV60C	8255802
XC17-042-230	TXV	41,000	16.20	13.20	C35-60C	SL280UH110V60C	8255805
XC17-042-230	TXV	41,000	16.20	13.20	C35-60C	SL280UH110XV60C	8255803
XC17-042-230	TXV	40,500	16.50	13.50	C35-60C	SLO185B124/141V60	8255785
XC17-042-230	TXV	40,500	16.50	13.50	C35-60C	SLO185UF124/141V60	8255786
XC17-042-230	TXV	41,000	16.20	13.20	C35-60C	SLP98UH090XV36C	8255795
XC17-042-230	TXV	41,000	16.50	13.50	C35-60C	SLP98UH090XV48C	8255792
XC17-042-230	TXV	40,500	16.50	13.50	C35-60C	SLP98UH090XV60C	8255793
XC17-042-230	TXV	41,000	16.50	13.50	C35-60C	SLP98UH110XV60C	8255794
XC17-042-230	TXV	40,000	14.70	12.20	C35-60D		8255806
XC17-042-230	TXV	41,000	16.50	13.50	C35-60D	EL180UH135E60D	8255809
XC17-042-230	TXV	40,500	16.00	13.20	C35-60D	EL195UH135XE60D	8255813
XC17-042-230	TXV	40,500	16.00	13.20	C35-60D	EL296UH135XE60D	8255810
XC17-042-230	TXV	41,000	16.20	13.50	C35-60D	EL296UH135XV60D	8255812
XC17-042-230	TXV	41,000	16.50	13.50	C35-60D	SL280UH135V60D	8255814
XC17-042-230	TXV	40,000	16.00	13.00	C35-60D	SLO185B124/141V60	8255807
XC17-042-230	TXV	40,000	16.00	13.00	C35-60D	SLO185UF124/141V60	8255808
XC17-042-230	TXV	41,000	16.50	13.50	C35-60D	SLP98UH135XV60D	8255811
XC17-042-230	TXV	40,500	16.20	13.50	CBX27UH-042		3844910
XC17-042-230	TXV	40,000	16.20	13.20	CBX27UH-048		3844911
XC17-042-230	TXV	38,500	14.70	12.20	CBX32M-042		3844908
XC17-042-230	TXV	40,000	15.50	12.70	CBX32M-048		3844909
XC17-042-230	TXV	38,000	15.50	12.70	CBX32MV-036		3844912
XC17-042-230	TXV	39,500	16.50	13.50	CBX32MV-048		3844913
XC17-042-230	TXV	38,000	15.70	12.70	CBX40UHV-036		3844914
XC17-042-230	TXV	39,500	16.50	13.50	CBX40UHV-042		4899130
XC17-042-230	TXV	39,500	16.50	13.50	CBX40UHV-048		3844915
XC17-042-230	TXV	39,000	15.70	13.00	CH23-51	EL180UH090E60C	5736052
XC17-042-230	TXV	39,000	15.50	12.70	CH23-51	EL180UH110E60C	5737872
XC17-042-230	TXV	39,000	15.50	12.70	CH23-51	EL180UH110XE60C	5738939
XC17-042-230	TXV	38,500	15.50	12.70	CH23-51	EL195UH090XE48C	4694511
XC17-042-230	TXV	39,000	15.50	12.70	CH23-51	EL195UH110XE60C	4694584
XC17-042-230	TXV	38,500	15.00	12.20	CH23-51	EL296UH045XV36B	5149435
XC17-042-230	TXV	38,500	15.50	12.70	CH23-51	EL296UH090XE48C	5647380
XC17-042-230	TXV	38,500	15.50	12.70	CH23-51	EL296UH090XV36C	5058818
XC17-042-230	TXV	39,000	15.50	12.70	CH23-51	EL296UH090XV48C	5058819
XC17-042-230	TXV	38,500	15.70	12.70	CH23-51	EL296UH090XV60C	5058820

### NOTES:

TXV = Matched with Thermostatic Expansion Valve.

RFC = Matched with RFC metering device.

Ratings are AHRI Certified to AHRI Standard 210/240 (with 25 ft. of connecting refrigerant lines); 95°F outdoor air temperature, 80°F db / 67°F wb entering evaporator air.

All ratings include the use of a blower time delay relay (TDR). All Lennox variable-speed furnaces and Air Handlers have time delay capabilities. Other Furnaces and Air Handlers may require an optional time delay relay (**58M81**) for field installation. See furnace or air handler specifications to determine if relay is needed.

Also see Expansion Valve Kit Usage Table.



## AHRI SYSTEM MATCHES

NOTE - For the latest up-to-date system matches please visit the AHRI web site at <http://www.ahridirectory.org>

Model No.	Expansion Device	Capacity	SEER	EER	Coil or Air Handler	Furnace	AHRI Reference
XC17-042-230	TXV	39,000	15.50	12.70	CH23-51	EL296UH110XE60C	5647403
XC17-042-230	TXV	39,000	15.70	12.70	CH23-51	EL296UH110XV48C	5587053
XC17-042-230	TXV	39,000	15.70	12.70	CH23-51	EL296UH110XV60C	5058821
XC17-042-230	TXV	39,000	15.70	13.00	CH23-51	SL280UH090V60C	3946939
XC17-042-230	TXV	39,000	15.70	13.00	CH23-51	SL280UH090XV60C	4235513
XC17-042-230	TXV	39,000	15.50	12.70	CH23-51	SL280UH110V60C	3946940
XC17-042-230	TXV	39,000	15.50	12.70	CH23-51	SL280UH110XV60C	4040555
XC17-042-230	TXV	38,500	15.50	12.70	CH23-51	SLP98UH090XV36C	5139243
XC17-042-230	TXV	39,000	15.50	12.70	CH23-51	SLP98UH090XV48C	5139244
XC17-042-230	TXV	38,500	15.70	12.70	CH23-51	SLP98UH090XV60C	5139245
XC17-042-230	TXV	39,000	15.70	12.70	CH23-51	SLP98UH110XV60C	5139246
XC17-042-230	TXV	39,500	16.00	13.20	CH23-65	EL180UH090E60C	5736054
XC17-042-230	TXV	39,000	15.70	12.70	CH23-65	EL180UH110E60C	5737874
XC17-042-230	TXV	39,000	15.70	12.70	CH23-65	EL180UH110XE60C	5738940
XC17-042-230	TXV	39,000	15.70	12.70	CH23-65	EL195UH090XE48C	4694512
XC17-042-230	TXV	39,500	15.70	13.00	CH23-65	EL195UH110XE60C	4694513
XC17-042-230	TXV	39,000	15.00	12.50	CH23-65	EL296UH045XV36B	5149436
XC17-042-230	TXV	39,000	15.70	12.70	CH23-65	EL296UH090XE48C	5647381
XC17-042-230	TXV	39,000	15.50	12.70	CH23-65	EL296UH090XV36C	5058822
XC17-042-230	TXV	39,000	15.70	12.70	CH23-65	EL296UH090XV48C	5058823
XC17-042-230	TXV	39,000	15.70	13.00	CH23-65	EL296UH090XV60C	5058824
XC17-042-230	TXV	39,500	15.70	13.00	CH23-65	EL296UH110XE60C	5647382
XC17-042-230	TXV	39,500	15.70	13.00	CH23-65	EL296UH110XV48C	5587054
XC17-042-230	TXV	39,500	15.70	13.00	CH23-65	EL296UH110XV60C	5058825
XC17-042-230	TXV	39,500	15.70	13.00	CH23-65	EL296UH135XV60D	5058826
XC17-042-230	TXV	39,500	16.00	13.00	CH23-65	SL280UH090V60C	3946941
XC17-042-230	TXV	39,500	16.00	13.00	CH23-65	SL280UH090XV60C	4235514
XC17-042-230	TXV	39,000	15.70	12.70	CH23-65	SL280UH110V60C	3946942
XC17-042-230	TXV	39,000	15.70	12.70	CH23-65	SL280UH110XV60C	4040556
XC17-042-230	TXV	39,500	16.00	13.20	CH23-65	SL280UH135V60D	3946943
XC17-042-230	TXV	39,000	15.50	12.70	CH23-65	SLP98UH090XV36C	5139247
XC17-042-230	TXV	39,000	15.70	12.70	CH23-65	SLP98UH090XV48C	5139248
XC17-042-230	TXV	39,000	15.70	13.00	CH23-65	SLP98UH090XV60C	5139249
XC17-042-230	TXV	39,500	15.70	13.00	CH23-65	SLP98UH110XV60C	5139250
XC17-042-230	TXV	39,500	16.00	13.00	CH23-65	SLP98UH135XV60D	5139251
XC17-042-230	TXV	40,000	15.00	12.20	CH23-68		3844622
XC17-042-230	TXV	40,500	16.50	13.50	CH23-68	EL180UH090E60C	5736056
XC17-042-230	TXV	40,500	16.20	13.20	CH23-68	EL180UH110E60C	5737876
XC17-042-230	TXV	40,500	16.20	13.20	CH23-68	EL180UH110XE60C	5738942
XC17-042-230	TXV	40,500	16.20	13.20	CH23-68	EL195UH090XE48C	4694514
XC17-042-230	TXV	41,000	16.20	13.20	CH23-68	EL195UH110XE60C	4694515
XC17-042-230	TXV	40,000	15.50	12.70	CH23-68	EL296UH045XV36B	5149437
XC17-042-230	TXV	40,500	16.20	13.20	CH23-68	EL296UH090XE48C	5647383
XC17-042-230	TXV	40,500	16.00	13.20	CH23-68	EL296UH090XV36C	5058827
XC17-042-230	TXV	40,500	16.20	13.20	CH23-68	EL296UH090XV48C	5058828
XC17-042-230	TXV	40,000	16.20	13.20	CH23-68	EL296UH090XV60C	5058829
XC17-042-230	TXV	41,000	16.20	13.20	CH23-68	EL296UH110XE60C	5647384
XC17-042-230	TXV	40,500	16.20	13.20	CH23-68	EL296UH110XV60C	5058865
XC17-042-230	TXV	41,000	16.20	13.50	CH23-68	EL296UH135XV60D	5058866

### NOTES:

TXV = Matched with Thermostatic Expansion Valve.

RFC = Matched with RFC metering device.

Ratings are AHRI Certified to AHRI Standard 210/240 (with 25 ft. of connecting refrigerant lines); 95°F outdoor air temperature, 80°F db / 67°F wb entering evaporator air.

All ratings include the use of a blower time delay relay (TDR). All Lennox variable-speed furnaces and Air Handlers have time delay capabilities. Other Furnaces and Air Handlers may require an optional time delay relay (**58M81**) for field installation. See furnace or air handler specifications to determine if relay is needed.

Also see Expansion Valve Kit Usage Table.

## AHRI SYSTEM MATCHES

NOTE - For the latest up-to-date system matches please visit the AHRI web site at <http://www.ahridirectory.org>

Model No.	Expansion Device	Capacity	SEER	EER	Coil or Air Handler	Furnace	AHRI Reference
XC17-042-230	TXV	41,000	16.50	13.50	CH23-68	SL280UH090V60C	3946944
XC17-042-230	TXV	41,000	16.50	13.50	CH23-68	SL280UH090XV60C	4235515
XC17-042-230	TXV	40,500	16.20	13.20	CH23-68	SL280UH110V60C	3946945
XC17-042-230	TXV	40,500	16.20	13.20	CH23-68	SL280UH110XV60C	4040557
XC17-042-230	TXV	41,000	16.50	13.50	CH23-68	SL280UH135V60D	3946946
XC17-042-230	TXV	40,500	16.00	13.20	CH23-68	SLP98UH090XV36C	5139252
XC17-042-230	TXV	40,500	16.20	13.20	CH23-68	SLP98UH090XV48C	5139253
XC17-042-230	TXV	40,000	16.20	13.20	CH23-68	SLP98UH090XV60C	5139254
XC17-042-230	TXV	40,500	16.20	13.20	CH23-68	SLP98UH110XV60C	5139360
XC17-042-230	TXV	41,000	16.50	13.50	CH23-68	SLP98UH135XV60D	5139361
XC17-042-230	TXV	39,000	15.50	12.70	CH33-42	EL180UH090E48B	5735131
XC17-042-230	TXV	39,000	15.50	12.70	CH33-42	EL180UH090XE48B	5737116
XC17-042-230	TXV	39,000	14.70	12.20	CH33-42	EL296UH045XV36B	5152544
XC17-042-230	TXV	39,000	14.70	12.20	CH33-42	EL296UH070XV36B	5058867
XC17-042-230	TXV	39,000	15.50	12.50	CH33-42	SL280UH090V36B	3946947
XC17-042-230	TXV	39,000	15.50	12.50	CH33-42	SL280UH090V48B	3946948
XC17-042-230	TXV	39,000	15.50	12.50	CH33-42	SL280UH090XV48B	4038811
XC17-042-230	TXV	39,000	14.70	12.20	CH33-42	SLP98UH070XV36B	5139362
XC17-042-230	TXV	39,500	14.70	12.20	CH33-43		3844624
XC17-042-230	TXV	40,000	16.00	13.20	CH33-43	CBWMV-60C-100	4741894
XC17-042-230	TXV	39,500	16.00	13.00	CH33-43	EL195UH090XE48C	4694516
XC17-042-230	TXV	40,000	15.70	13.00	CH33-43	EL195UH110XE60C	4694517
XC17-042-230	TXV	40,500	15.50	12.70	CH33-43	EL296UH045XV36B	5149438
XC17-042-230	TXV	40,500	15.20	12.70	CH33-43	EL296UH070XV36B	5058868
XC17-042-230	TXV	39,500	16.00	13.00	CH33-43	EL296UH090XE48C	5647385
XC17-042-230	TXV	40,000	16.00	13.00	CH33-43	EL296UH090XV36C	5058869
XC17-042-230	TXV	40,000	16.00	13.00	CH33-43	EL296UH090XV48C	5058870
XC17-042-230	TXV	40,000	16.20	13.20	CH33-43	EL296UH090XV60C	5058871
XC17-042-230	TXV	40,000	15.70	13.00	CH33-43	EL296UH110XE60C	5647386
XC17-042-230	TXV	40,000	16.20	13.20	CH33-43	EL296UH110XV60C	5058872
XC17-042-230	TXV	40,500	16.00	13.00	CH33-43	SL280UH090V36B	3946949
XC17-042-230	TXV	40,500	16.00	13.00	CH33-43	SL280UH090V48B	3946950
XC17-042-230	TXV	40,500	16.20	13.50	CH33-43	SL280UH090V60C	3946951
XC17-042-230	TXV	40,500	16.00	13.00	CH33-43	SL280UH090XV48B	4038815
XC17-042-230	TXV	40,500	16.20	13.50	CH33-43	SL280UH090XV60C	4235505
XC17-042-230	TXV	40,000	16.00	13.00	CH33-43	SL280UH110V60C	3946952
XC17-042-230	TXV	40,000	16.00	13.00	CH33-43	SL280UH110XV60C	4040548
XC17-042-230	TXV	40,500	15.20	12.70	CH33-43	SLP98UH070XV36B	5139363
XC17-042-230	TXV	40,000	16.00	13.00	CH33-43	SLP98UH090XV36C	5139364
XC17-042-230	TXV	40,000	16.00	13.00	CH33-43	SLP98UH090XV48C	5139365
XC17-042-230	TXV	40,000	16.20	13.20	CH33-43	SLP98UH090XV60C	5139366
XC17-042-230	TXV	40,000	16.20	13.20	CH33-43	SLP98UH110XV60C	5139367
XC17-042-230	TXV	40,000	16.00	13.00	CH33-43C	EL296UH110XV48C	5587055
XC17-042-230	TXV	39,500	15.50	12.70	CH33-44/48	EL180UH090E48B	5735133
XC17-042-230	TXV	39,500	15.50	12.70	CH33-44/48	EL180UH090XE48B	5737118
XC17-042-230	TXV	39,500	15.00	12.50	CH33-44/48	EL296UH045XV36B	5149439
XC17-042-230	TXV	39,500	15.00	12.50	CH33-44/48	EL296UH070XV36B	5058873
XC17-042-230	TXV	39,500	15.50	12.70	CH33-44/48	SL280UH090V36B	3946953
XC17-042-230	TXV	39,500	15.50	12.70	CH33-44/48	SL280UH090V48B	3946954

### NOTES:

TXV = Matched with Thermostatic Expansion Valve.

RFC = Matched with RFC metering device.

Ratings are AHRI Certified to AHRI Standard 210/240 (with 25 ft. of connecting refrigerant lines); 95°F outdoor air temperature, 80°F db / 67°F wb entering evaporator air.

All ratings include the use of a blower time delay relay (TDR). All Lennox variable-speed furnaces and Air Handlers have time delay capabilities. Other Furnaces and Air Handlers may require an optional time delay relay (**58M81**) for field installation. See furnace or air handler specifications to determine if relay is needed.

Also see Expansion Valve Kit Usage Table.

## AHRI SYSTEM MATCHES

NOTE - For the latest up-to-date system matches please visit the AHRI web site at <http://www.ahridirectory.org>

Model No.	Expansion Device	Capacity	SEER	EER	Coil or Air Handler	Furnace	AHRI Reference
XC17-042-230	TXV	39,500	15.50	12.70	CH33-44/48	SL280UH090XV48B	4038793
XC17-042-230	TXV	39,500	15.00	12.50	CH33-44/48	SLP98UH070XV36B	5139368
XC17-042-230	TXV	39,500	14.70	12.20	CH33-48		3844626
XC17-042-230	TXV	40,000	16.00	13.20	CH33-48	EL180UH090E60C	5736058
XC17-042-230	TXV	39,500	16.00	13.00	CH33-48	EL180UH110E60C	5737877
XC17-042-230	TXV	39,500	16.00	13.00	CH33-48	EL180UH110XE60C	5738957
XC17-042-230	TXV	39,500	15.70	12.70	CH33-48	EL296UH090XV36C	5058874
XC17-042-230	TXV	40,000	15.70	13.00	CH33-48	EL296UH090XV48C	5058875
XC17-042-230	TXV	39,500	16.00	13.00	CH33-48	EL296UH090XV60C	5058876
XC17-042-230	TXV	40,000	15.70	13.00	CH33-48	EL296UH110XV60C	5058856
XC17-042-230	TXV	40,000	16.00	13.00	CH33-48	SL280UH090V60C	3946955
XC17-042-230	TXV	40,000	16.00	13.00	CH33-48	SL280UH090XV60C	4235506
XC17-042-230	TXV	40,000	16.00	13.00	CH33-48	SL280UH110V60C	3946956
XC17-042-230	TXV	40,000	16.00	13.00	CH33-48	SL280UH110XV60C	4040549
XC17-042-230	TXV	39,500	15.70	12.70	CH33-48	SLP98UH090XV36C	5139369
XC17-042-230	TXV	40,000	15.70	13.00	CH33-48	SLP98UH090XV48C	5139370
XC17-042-230	TXV	39,500	16.00	13.00	CH33-48	SLP98UH090XV60C	5139371
XC17-042-230	TXV	40,000	15.70	13.00	CH33-48	SLP98UH110XV60C	5139351
XC17-042-230	TXV	39,500	15.70	13.00	CH33-48C	EL195UH090XE48C	4694518
XC17-042-230	TXV	40,000	15.70	13.00	CH33-48C	EL195UH110XE60C	4694519
XC17-042-230	TXV	39,500	15.70	13.00	CH33-48C	EL296UH090XE48C	5647387
XC17-042-230	TXV	40,000	15.70	13.00	CH33-48C	EL296UH110XE60C	5647388
XC17-042-230	TXV	40,000	15.70	13.00	CH33-48C	EL296UH110XV48C	5587056
XC17-042-230	TXV	40,000	15.00	12.20	CH33-49		3844627
XC17-042-230	TXV	40,500	16.00	13.00	CH33-49	CBWMV-60C-100	4741895
XC17-042-230	TXV	40,500	16.20	13.20	CH33-49	EL180UH090E60C	5736060
XC17-042-230	TXV	40,500	16.00	13.00	CH33-49	EL180UH110E60C	5737879
XC17-042-230	TXV	40,500	16.00	13.00	CH33-49	EL180UH110XE60C	5738960
XC17-042-230	TXV	40,000	16.00	13.00	CH33-49	EL195UH090XE48C	4694520
XC17-042-230	TXV	40,500	16.00	13.00	CH33-49	EL195UH110XE60C	4694521
XC17-042-230	TXV	40,000	16.00	13.00	CH33-49	EL296UH090XE48C	5647389
XC17-042-230	TXV	40,500	15.70	13.00	CH33-49	EL296UH090XV36C	5058857
XC17-042-230	TXV	40,500	16.00	13.20	CH33-49	EL296UH090XV48C	5058858
XC17-042-230	TXV	40,000	16.00	13.20	CH33-49	EL296UH090XV60C	5058859
XC17-042-230	TXV	40,500	16.00	13.00	CH33-49	EL296UH110XE60C	5647390
XC17-042-230	TXV	40,500	16.00	13.20	CH33-49	EL296UH110XV48C	5587057
XC17-042-230	TXV	40,500	16.00	13.20	CH33-49	EL296UH110XV60C	5058860
XC17-042-230	TXV	40,500	16.20	13.20	CH33-49	SL280UH090V60C	3946957
XC17-042-230	TXV	40,500	16.20	13.20	CH33-49	SL280UH090XV60C	4235507
XC17-042-230	TXV	40,500	16.00	13.00	CH33-49	SL280UH110V60C	3946958
XC17-042-230	TXV	40,500	16.00	13.00	CH33-49	SL280UH110XV60C	4040558
XC17-042-230	TXV	40,500	15.70	13.00	CH33-49	SLP98UH090XV36C	5139352
XC17-042-230	TXV	40,500	16.00	13.20	CH33-49	SLP98UH090XV48C	5139353
XC17-042-230	TXV	40,000	16.00	13.20	CH33-49	SLP98UH090XV60C	5139354
XC17-042-230	TXV	40,500	16.00	13.20	CH33-49	SLP98UH110XV60C	5139355
XC17-042-230	TXV	40,000	14.70	12.20	CH33-50/60C		3844628
XC17-042-230	TXV	40,500	16.00	13.20	CH33-50/60C	EL180UH090E60C	5736062
XC17-042-230	TXV	40,000	15.70	13.00	CH33-50/60C	EL180UH110E60C	5737881
XC17-042-230	TXV	40,000	15.70	13.00	CH33-50/60C	EL180UH110XE60C	5738961

### NOTES:

TXV = Matched with Thermostatic Expansion Valve.

RFC = Matched with RFC metering device.

Ratings are AHRI Certified to AHRI Standard 210/240 (with 25 ft. of connecting refrigerant lines); 95°F outdoor air temperature, 80°F db / 67°F wb entering evaporator air.

All ratings include the use of a blower time delay relay (TDR). All Lennox variable-speed furnaces and Air Handlers have time delay capabilities. Other Furnaces and Air Handlers may require an optional time delay relay (**58M81**) for field installation. See furnace or air handler specifications to determine if relay is needed.

Also see Expansion Valve Kit Usage Table.

## AHRI SYSTEM MATCHES

NOTE - For the latest up-to-date system matches please visit the AHRI web site at <http://www.ahridirectory.org>

Model No.	Expansion Device	Capacity	SEER	EER	Coil or Air Handler	Furnace	AHRI Reference
XC17-042-230	TXV	40,000	16.00	13.00	CH33-50/60C	EL195UH090XE48C	4694522
XC17-042-230	TXV	40,500	16.00	13.00	CH33-50/60C	EL195UH110XE60C	4694523
XC17-042-230	TXV	40,000	16.00	13.00	CH33-50/60C	EL296UH090XE48C	5647391
XC17-042-230	TXV	40,000	15.70	13.00	CH33-50/60C	EL296UH090XV36C	5058861
XC17-042-230	TXV	40,000	16.00	13.00	CH33-50/60C	EL296UH090XV48C	5058862
XC17-042-230	TXV	40,000	16.00	13.20	CH33-50/60C	EL296UH090XV60C	5058863
XC17-042-230	TXV	40,500	16.00	13.00	CH33-50/60C	EL296UH110XE60C	5647392
XC17-042-230	TXV	40,500	16.00	13.20	CH33-50/60C	EL296UH110XV48C	5587058
XC17-042-230	TXV	40,500	16.00	13.20	CH33-50/60C	EL296UH110XV60C	5058864
XC17-042-230	TXV	40,500	16.00	13.20	CH33-50/60C	SL280UH090V60C	3946959
XC17-042-230	TXV	40,500	16.00	13.20	CH33-50/60C	SL280UH090XV60C	4235516
XC17-042-230	TXV	40,500	15.70	13.00	CH33-50/60C	SL280UH110V60C	3946960
XC17-042-230	TXV	40,500	15.70	13.00	CH33-50/60C	SL280UH110XV60C	4040559
XC17-042-230	TXV	40,000	15.70	13.00	CH33-50/60C	SLP98UH090XV36C	5139356
XC17-042-230	TXV	40,000	16.00	13.00	CH33-50/60C	SLP98UH090XV48C	5139357
XC17-042-230	TXV	40,000	16.00	13.20	CH33-50/60C	SLP98UH090XV60C	5139358
XC17-042-230	TXV	40,500	16.00	13.20	CH33-50/60C	SLP98UH110XV60C	5139359
XC17-042-230	TXV	40,500	15.00	12.50	CH35-42B		7165090
XC17-042-230	TXV	40,500	16.00	13.00	CH35-42B	EL180UH090E48B	7165093
XC17-042-230	TXV	40,500	15.50	12.50	CH35-42B	EL296UH045XV36B	7165091
XC17-042-230	TXV	40,500	16.00	13.00	CH35-42B	SL280UH090V36B	7165731
XC17-042-230	TXV	40,500	16.00	13.00	CH35-42B	SL280UH090V48B	7165095
XC17-042-230	TXV	40,500	15.10	12.50	CH35-42B	SLP98UH070XV36B	7165732
XC17-042-230	TXV	39,500	14.50	12.20	CH35-42C		7165096
XC17-042-230	TXV	40,000	16.00	13.00	CH35-42C	EL180UH090E60C	7165106
XC17-042-230	TXV	40,000	16.00	13.00	CH35-42C	EL180UH110E60C	7165108
XC17-042-230	TXV	40,000	16.00	13.00	CH35-42C	EL195UH090XE48C	7165098
XC17-042-230	TXV	40,500	16.00	13.00	CH35-42C	EL195UH110XE60C	7165100
XC17-042-230	TXV	40,000	16.00	13.00	CH35-42C	EL296UH090XE48C	7165101
XC17-042-230	TXV	40,500	16.00	13.00	CH35-42C	EL296UH110XE60C	7165103
XC17-042-230	TXV	40,500	16.00	13.00	CH35-42C	EL296UH110XV48C	7165104
XC17-042-230	TXV	40,500	16.00	13.00	CH35-42C	SL280UH090V60C	7165733
XC17-042-230	TXV	40,500	16.00	13.00	CH35-42C	SL280UH110V60C	7165734
XC17-042-230	TXV	40,000	16.00	13.00	CH35-42C	SLP98UH090XV36C	7165735
XC17-042-230	TXV	40,000	16.00	13.00	CH35-42C	SLP98UH090XV48C	7165736
XC17-042-230	TXV	40,000	16.00	13.00	CH35-42C	SLP98UH090XV60C	7165110
XC17-042-230	TXV	40,500	16.00	13.00	CH35-42C	SLP98UH110XV60C	7165111
XC17-042-230	TXV	39,500	14.50	12.20	CH35-48B		7165113
XC17-042-230	TXV	39,500	15.50	12.50	CH35-48B	EL180UH090E48B	7165116
XC17-042-230	TXV	39,500	15.10	12.50	CH35-48B	EL296UH045XV36B	7165114
XC17-042-230	TXV	40,000	15.50	13.00	CH35-48B	SL280UH090V36B	7165737
XC17-042-230	TXV	40,000	15.50	13.00	CH35-48B	SL280UH090V48B	7165118
XC17-042-230	TXV	39,500	15.10	12.50	CH35-48B	SLP98UH070XV36B	7165738
XC17-042-230	TXV	39,500	14.50	12.20	CH35-48C		7165119
XC17-042-230	TXV	40,000	16.00	13.00	CH35-48C	EL180UH090E60C	7165129
XC17-042-230	TXV	40,000	16.00	13.00	CH35-48C	EL180UH110E60C	7165130
XC17-042-230	TXV	39,500	16.00	13.00	CH35-48C	EL195UH090XE48C	7165121
XC17-042-230	TXV	40,000	15.50	13.00	CH35-48C	EL195UH110XE60C	7165123
XC17-042-230	TXV	39,500	16.00	13.00	CH35-48C	EL296UH090XE48C	7165124

### NOTES:

TXV = Matched with Thermostatic Expansion Valve.

RFC = Matched with RFC metering device.

Ratings are AHRI Certified to AHRI Standard 210/240 (with 25 ft. of connecting refrigerant lines); 95°F outdoor air temperature, 80°F db / 67°F wb entering evaporator air.

All ratings include the use of a blower time delay relay (TDR). All Lennox variable-speed furnaces and Air Handlers have time delay capabilities. Other Furnaces and Air Handlers may require an optional time delay relay (**58M81**) for field installation. See furnace or air handler specifications to determine if relay is needed.

Also see Expansion Valve Kit Usage Table.



## AHRI SYSTEM MATCHES

NOTE - For the latest up-to-date system matches please visit the AHRI web site at <http://www.ahridirectory.org>

Model No.	Expansion Device	Capacity	SEER	EER	Coil or Air Handler	Furnace	AHRI Reference
XC17-042-230	TXV	40,000	16.00	13.00	CH35-48C	EL296UH090XV48C	7165743
XC17-042-230	TXV	40,000	15.50	13.00	CH35-48C	EL296UH110XE60C	7165126
XC17-042-230	TXV	40,000	16.00	13.00	CH35-48C	EL296UH110XV48C	7165127
XC17-042-230	TXV	40,500	16.00	13.00	CH35-48C	EL296UH110XV60C	7165744
XC17-042-230	TXV	40,500	16.00	13.00	CH35-48C	SL280UH090V60C	7165739
XC17-042-230	TXV	40,000	15.50	13.00	CH35-48C	SL280UH110V60C	7165740
XC17-042-230	TXV	40,000	15.50	13.00	CH35-48C	SLP98UH090XV36C	7165741
XC17-042-230	TXV	40,000	15.50	13.00	CH35-48C	SLP98UH090XV48C	7165742
XC17-042-230	TXV	39,500	16.00	13.00	CH35-48C	SLP98UH090XV60C	7165132
XC17-042-230	TXV	40,000	15.50	13.00	CH35-48C	SLP98UH110XV60C	7165134
XC17-042-230	TXV	40,000	15.00	12.20	CH35-51C		7165136
XC17-042-230	TXV	40,500	16.00	13.00	CH35-51C	EL180UH090E60C	7165142
XC17-042-230	TXV	40,500	16.00	13.00	CH35-51C	EL180UH110E60C	7165144
XC17-042-230	TXV	40,000	16.00	13.00	CH35-51C	EL195UH090XE48C	7165137
XC17-042-230	TXV	40,500	16.00	13.00	CH35-51C	EL195UH110XE60C	7165139
XC17-042-230	TXV	40,500	16.00	13.00	CH35-51C	EL296UH110XV48C	7165141
XC17-042-230	TXV	41,000	16.00	13.00	CH35-51C	SL280UH090V60C	7165745
XC17-042-230	TXV	40,500	16.00	13.00	CH35-51C	SL280UH110V60C	7165746
XC17-042-230	TXV	40,500	15.50	13.00	CH35-51C	SLP98UH090XV36C	7165747
XC17-042-230	TXV	40,500	16.00	13.00	CH35-51C	SLP98UH090XV48C	7165748
XC17-042-230	TXV	40,500	16.00	13.00	CH35-51C	SLP98UH090XV60C	7165146
XC17-042-230	TXV	40,500	16.00	13.00	CH35-51C	SLP98UH110XV60C	7165148
XC17-042-230	TXV	38,500	15.00	12.20	CR33-48	EL180DF090E48B	5733460
XC17-042-230	TXV	38,500	15.50	12.70	CR33-48	EL180DF110E60C	5733508
XC17-042-230	TXV	38,000	14.70	12.20	CR33-48	EL296DF045XV36B	5587062
XC17-042-230	TXV	38,500	15.00	12.20	CR33-48	EL296DF070XV48B	5587059
XC17-042-230	TXV	39,000	15.20	12.50	CR33-48	EL296DF090XV60C	5058903
XC17-042-230	TXV	39,000	15.20	12.50	CR33-48	EL296DF110XV60C	5058904
XC17-042-230	TXV	38,500	15.00	12.20	CR33-48	SL280DF090V48B	3946934
XC17-042-230	TXV	39,000	15.50	12.70	CR33-48	SL280DF090V60C	3946935
XC17-042-230	TXV	39,000	15.50	12.70	CR33-48	SL280DF110V60C	3946936
XC17-042-230	TXV	38,500	14.70	12.20	CR33-48	SLP98DF070XV36B	5140481
XC17-042-230	TXV	38,500	15.00	12.50	CR33-48	SLP98DF090XV36C	5140482
XC17-042-230	TXV	38,500	15.20	12.50	CR33-48	SLP98DF090XV48C	5140483
XC17-042-230	TXV	39,000	15.20	12.50	CR33-48	SLP98DF090XV60C	5140484
XC17-042-230	TXV	39,000	15.20	12.50	CR33-48	SLP98DF110XV60C	5140485
XC17-042-230	TXV	39,500	14.70	12.20	CR33-50/60		3844618
XC17-042-230	TXV	40,000	16.00	13.20	CR33-50/60	EL180DF110E60C	5733510
XC17-042-230	TXV	40,000	15.70	13.00	CR33-50/60	EL296DF090XV60C	5058905
XC17-042-230	TXV	40,000	16.00	13.00	CR33-50/60	EL296DF110XV60C	5058906
XC17-042-230	TXV	40,000	16.20	13.20	CR33-50/60	SL280DF090V60C	3946937
XC17-042-230	TXV	40,000	16.20	13.20	CR33-50/60	SL280DF110V60C	3946938
XC17-042-230	TXV	39,500	15.70	12.70	CR33-50/60	SLP98DF090XV36C	5140486
XC17-042-230	TXV	40,000	15.70	13.00	CR33-50/60	SLP98DF090XV48C	5140487
XC17-042-230	TXV	40,000	15.70	13.00	CR33-50/60	SLP98DF090XV60C	5140488
XC17-042-230	TXV	40,000	16.00	13.00	CR33-50/60	SLP98DF110XV60C	5140489
XC17-042-230	TXV	39,500	14.70	12.20	CR33-60		3844619
XC17-042-230	TXV	39,500	15.50	12.70	CX34-38	EL180UH090E48B	5735138
XC17-042-230	TXV	39,500	15.50	12.70	CX34-38	EL180UH090XE48B	5737124

### NOTES:

TXV = Matched with Thermostatic Expansion Valve.

RFC = Matched with RFC metering device.

Ratings are AHRI Certified to AHRI Standard 210/240 (with 25 ft. of connecting refrigerant lines); 95°F outdoor air temperature, 80°F db / 67°F wb entering evaporator air.

All ratings include the use of a blower time delay relay (TDR). All Lennox variable-speed furnaces and Air Handlers have time delay capabilities. Other Furnaces and Air Handlers may require an optional time delay relay (**58M81**) for field installation. See furnace or air handler specifications to determine if relay is needed.

Also see Expansion Valve Kit Usage Table.

## AHRI SYSTEM MATCHES

NOTE - For the latest up-to-date system matches please visit the AHRI web site at <http://www.ahridirectory.org>

Model No.	Expansion Device	Capacity	SEER	EER	Coil or Air Handler	Furnace	AHRI Reference
XC17-042-230	TXV	39,000	15.00	12.20	CX34-38	EL296UH045XV36B	5149431
XC17-042-230	TXV	39,000	15.00	12.20	CX34-38	EL296UH070XV36B	5058830
XC17-042-230	TXV	39,500	15.50	12.70	CX34-38	SL280UH090V36B	3946914
XC17-042-230	TXV	39,500	15.50	12.70	CX34-38	SL280UH090V48B	3946915
XC17-042-230	TXV	39,500	15.50	12.70	CX34-38	SL280UH090XV48B	4038789
XC17-042-230	TXV	39,000	15.00	12.20	CX34-38	SLP98UH070XV36B	5139325
XC17-042-230	TXV	38,000	15.00	12.50	CX34-42	EL180UH090E48B	5735125
XC17-042-230	TXV	38,000	15.00	12.50	CX34-42	EL180UH090XE48B	5737110
XC17-042-230	TXV	38,000	15.00	12.20	CX34-42	SL280UH090V36B	3946916
XC17-042-230	TXV	38,000	15.00	12.20	CX34-42	SL280UH090V48B	3946917
XC17-042-230	TXV	38,000	15.00	12.20	CX34-42	SL280UH090XV48B	4038798
XC17-042-230	TXV	39,500	14.70	12.20	CX34-43		3844603
XC17-042-230	TXV	39,500	15.50	12.70	CX34-43	EL180UH090E48B	5735127
XC17-042-230	TXV	40,000	16.20	13.20	CX34-43	EL180UH090E60C	5736042
XC17-042-230	TXV	39,500	15.50	12.70	CX34-43	EL180UH090XE48B	5737112
XC17-042-230	TXV	40,000	15.70	13.00	CX34-43	EL180UH110E60C	5737862
XC17-042-230	TXV	40,000	15.70	13.00	CX34-43	EL180UH110XE60C	5738948
XC17-042-230	TXV	39,500	16.00	13.00	CX34-43	EL195UH090XE48C	4694495
XC17-042-230	TXV	40,000	15.70	13.00	CX34-43	EL195UH110XE60C	4694496
XC17-042-230	TXV	39,500	15.00	12.50	CX34-43	EL296UH045XV36B	5149433
XC17-042-230	TXV	39,500	15.00	12.50	CX34-43	EL296UH070XV36B	5058832
XC17-042-230	TXV	39,500	16.00	13.00	CX34-43	EL296UH090XE48C	5647368
XC17-042-230	TXV	39,500	15.70	13.00	CX34-43	EL296UH090XV36C	5058833
XC17-042-230	TXV	39,500	16.00	13.00	CX34-43	EL296UH090XV48C	5058834
XC17-042-230	TXV	39,500	16.00	13.00	CX34-43	EL296UH090XV60C	5058835
XC17-042-230	TXV	40,000	15.70	13.00	CX34-43	EL296UH110XE60C	5647369
XC17-042-230	TXV	40,000	16.00	13.20	CX34-43	EL296UH110XV48C	5587049
XC17-042-230	TXV	40,000	16.00	13.20	CX34-43	EL296UH110XV60C	5058836
XC17-042-230	TXV	39,500	15.50	12.70	CX34-43	SL280UH090V36B	3946918
XC17-042-230	TXV	39,500	15.50	12.70	CX34-43	SL280UH090V48B	3946919
XC17-042-230	TXV	40,000	16.20	13.20	CX34-43	SL280UH090V60C	3946920
XC17-042-230	TXV	39,500	15.50	12.70	CX34-43	SL280UH090XV48B	4038802
XC17-042-230	TXV	40,000	16.20	13.20	CX34-43	SL280UH090XV60C	4235508
XC17-042-230	TXV	40,000	15.70	13.00	CX34-43	SL280UH110V60C	3946921
XC17-042-230	TXV	40,000	15.70	13.00	CX34-43	SL280UH110XV60C	4040550
XC17-042-230	TXV	39,500	15.00	12.50	CX34-43	SLP98UH070XV36B	5139327
XC17-042-230	TXV	39,500	15.70	13.00	CX34-43	SLP98UH090XV36C	5139328
XC17-042-230	TXV	39,500	16.00	13.00	CX34-43	SLP98UH090XV48C	5139329
XC17-042-230	TXV	39,500	16.00	13.00	CX34-43	SLP98UH090XV60C	5139330
XC17-042-230	TXV	40,000	16.00	13.20	CX34-43	SLP98UH110XV60C	5139331
XC17-042-230	TXV	39,000	15.50	12.70	CX34-44/48	EL180UH090E48B	5735129
XC17-042-230	TXV	39,500	15.70	13.00	CX34-44/48	EL180UH090E60C	5736044
XC17-042-230	TXV	39,000	15.50	12.70	CX34-44/48	EL180UH090XE48B	5737114
XC17-042-230	TXV	39,000	15.50	12.70	CX34-44/48	EL180UH110E60C	5737863
XC17-042-230	TXV	39,000	15.50	12.70	CX34-44/48	EL180UH110XE60C	5738951
XC17-042-230	TXV	39,000	15.50	12.70	CX34-44/48	EL195UH090XE48C	4694497
XC17-042-230	TXV	39,500	15.50	12.70	CX34-44/48	EL195UH110XE60C	4694498
XC17-042-230	TXV	39,000	15.00	12.20	CX34-44/48	EL296UH045XV36B	5149434
XC17-042-230	TXV	39,000	15.00	12.20	CX34-44/48	EL296UH070XV36B	5058837

### NOTES:

TXV = Matched with Thermostatic Expansion Valve.

RFC = Matched with RFC metering device.

Ratings are AHRI Certified to AHRI Standard 210/240 (with 25 ft. of connecting refrigerant lines); 95°F outdoor air temperature, 80°F db / 67°F wb entering evaporator air.

All ratings include the use of a blower time delay relay (TDR). All Lennox variable-speed furnaces and Air Handlers have time delay capabilities. Other Furnaces and Air Handlers may require an optional time delay relay (**58M81**) for field installation. See furnace or air handler specifications to determine if relay is needed.

Also see Expansion Valve Kit Usage Table.

## AHRI SYSTEM MATCHES

NOTE - For the latest up-to-date system matches please visit the AHRI web site at <http://www.ahridirectory.org>

Model No.	Expansion Device	Capacity	SEER	EER	Coil or Air Handler	Furnace	AHRI Reference
XC17-042-230	TXV	39,000	15.50	12.70	CX34-44/48	EL296UH090XE48C	5647370
XC17-042-230	TXV	39,000	15.50	12.50	CX34-44/48	EL296UH090XV36C	5058838
XC17-042-230	TXV	39,000	15.50	12.70	CX34-44/48	EL296UH090XV48C	5058839
XC17-042-230	TXV	39,000	15.70	12.70	CX34-44/48	EL296UH090XV60C	5058840
XC17-042-230	TXV	39,500	15.50	12.70	CX34-44/48	EL296UH110XE60C	5647371
XC17-042-230	TXV	39,500	15.50	12.70	CX34-44/48	EL296UH110XV48C	5587050
XC17-042-230	TXV	39,500	15.50	12.70	CX34-44/48	EL296UH110XV60C	5058841
XC17-042-230	TXV	39,000	15.50	12.50	CX34-44/48	SL280UH090V36B	3946922
XC17-042-230	TXV	39,500	15.50	12.70	CX34-44/48	SL280UH090V48B	3946923
XC17-042-230	TXV	39,500	15.70	12.70	CX34-44/48	SL280UH090V60C	3946924
XC17-042-230	TXV	39,500	15.50	12.70	CX34-44/48	SL280UH090XV48B	4038806
XC17-042-230	TXV	39,500	15.70	12.70	CX34-44/48	SL280UH090XV60C	4235509
XC17-042-230	TXV	39,500	15.50	12.70	CX34-44/48	SL280UH110V60C	3946925
XC17-042-230	TXV	39,500	15.50	12.70	CX34-44/48	SL280UH110XV60C	4040551
XC17-042-230	TXV	39,000	15.00	12.20	CX34-44/48	SLP98UH070XV36B	5139332
XC17-042-230	TXV	39,000	15.50	12.50	CX34-44/48	SLP98UH090XV36C	5139333
XC17-042-230	TXV	39,000	15.50	12.70	CX34-44/48	SLP98UH090XV48C	5139334
XC17-042-230	TXV	39,000	15.70	12.70	CX34-44/48	SLP98UH090XV60C	5139335
XC17-042-230	TXV	39,500	15.50	12.70	CX34-44/48	SLP98UH110XV60C	5139336
XC17-042-230	TXV	39,500	14.70	12.20	CX34-49		3844605
XC17-042-230	TXV	40,000	16.00	13.20	CX34-49	EL180UH090E60C	5736046
XC17-042-230	TXV	40,000	16.00	13.20	CX34-49	EL180UH110E60C	5737866
XC17-042-230	TXV	40,000	16.00	13.20	CX34-49	EL180UH110XE60C	5738952
XC17-042-230	TXV	40,000	15.70	13.00	CX34-49	EL195UH090XE48C	4694499
XC17-042-230	TXV	40,500	15.70	13.00	CX34-49	EL195UH110XE60C	4694500
XC17-042-230	TXV	40,000	15.70	13.00	CX34-49	EL296UH090XE48C	5647372
XC17-042-230	TXV	40,000	16.00	13.00	CX34-49	EL296UH090XV36C	5058842
XC17-042-230	TXV	40,000	16.00	13.00	CX34-49	EL296UH090XV48C	5058843
XC17-042-230	TXV	40,000	16.00	13.20	CX34-49	EL296UH090XV60C	5058844
XC17-042-230	TXV	40,500	15.70	13.00	CX34-49	EL296UH110XE60C	5647373
XC17-042-230	TXV	40,500	16.00	13.20	CX34-49	EL296UH110XV48C	5587051
XC17-042-230	TXV	40,500	16.20	13.20	CX34-49	EL296UH110XV60C	5058845
XC17-042-230	TXV	40,500	16.00	13.00	CX34-49	SL280UH090V48B	4215065
XC17-042-230	TXV	40,500	16.20	13.50	CX34-49	SL280UH090V60C	3946926
XC17-042-230	TXV	40,500	16.00	13.00	CX34-49	SL280UH090XV48B	5535656
XC17-042-230	TXV	40,500	16.20	13.50	CX34-49	SL280UH090XV60C	4235510
XC17-042-230	TXV	40,000	16.00	13.00	CX34-49	SL280UH110V60C	3946927
XC17-042-230	TXV	40,000	16.00	13.00	CX34-49	SL280UH110XV60C	4040552
XC17-042-230	TXV	40,000	16.00	13.00	CX34-49	SLO185B124/141V60	7109935
XC17-042-230	TXV	40,000	16.00	13.00	CX34-49	SLO185UF124/141V60	7109857
XC17-042-230	TXV	40,000	16.00	13.00	CX34-49	SLP98UH090XV36C	5139337
XC17-042-230	TXV	40,000	16.00	13.00	CX34-49	SLP98UH090XV48C	5139338
XC17-042-230	TXV	40,000	16.00	13.20	CX34-49	SLP98UH090XV60C	5139339
XC17-042-230	TXV	40,500	16.20	13.20	CX34-49	SLP98UH110XV60C	5139340
XC17-042-230	TXV	39,500	15.70	13.00	CX34-50/60C	EL180UH090E60C	5736048
XC17-042-230	TXV	39,500	15.70	12.70	CX34-50/60C	EL180UH110E60C	5737867
XC17-042-230	TXV	39,500	15.70	12.70	CX34-50/60C	EL180UH110XE60C	5738954
XC17-042-230	TXV	39,500	15.70	13.00	CX34-50/60C	EL195UH090XE48C	4694501
XC17-042-230	TXV	39,500	15.70	12.70	CX34-50/60C	EL195UH110XE60C	4694502

### NOTES:

TXV = Matched with Thermostatic Expansion Valve.

RFC = Matched with RFC metering device.

Ratings are AHRI Certified to AHRI Standard 210/240 (with 25 ft. of connecting refrigerant lines); 95°F outdoor air temperature, 80°F db / 67°F wb entering evaporator air.

All ratings include the use of a blower time delay relay (TDR). All Lennox variable-speed furnaces and Air Handlers have time delay capabilities. Other Furnaces and Air Handlers may require an optional time delay relay (**58M81**) for field installation. See furnace or air handler specifications to determine if relay is needed.

Also see Expansion Valve Kit Usage Table.

## AHRI SYSTEM MATCHES

NOTE - For the latest up-to-date system matches please visit the AHRI web site at <http://www.ahridirectory.org>

Model No.	Expansion Device	Capacity	SEER	EER	Coil or Air Handler	Furnace	AHRI Reference
XC17-042-230	TXV	39,500	15.70	13.00	CX34-50/60C	EL296UH090XE48C	5647374
XC17-042-230	TXV	39,500	15.50	12.70	CX34-50/60C	EL296UH090XV36C	5058846
XC17-042-230	TXV	39,500	15.70	12.70	CX34-50/60C	EL296UH090XV48C	5058847
XC17-042-230	TXV	39,500	15.70	13.00	CX34-50/60C	EL296UH090XV60C	5058848
XC17-042-230	TXV	39,500	15.70	12.70	CX34-50/60C	EL296UH110XE60C	5647375
XC17-042-230	TXV	39,500	15.70	12.70	CX34-50/60C	EL296UH110XV48C	5587052
XC17-042-230	TXV	39,500	15.70	12.70	CX34-50/60C	EL296UH110XV60C	5058849
XC17-042-230	TXV	40,000	15.70	13.00	CX34-50/60C	SL280UH090V60C	3946928
XC17-042-230	TXV	40,000	15.70	13.00	CX34-50/60C	SL280UH090XV60C	4235511
XC17-042-230	TXV	39,500	15.70	12.70	CX34-50/60C	SL280UH110V60C	3946929
XC17-042-230	TXV	39,500	15.70	12.70	CX34-50/60C	SL280UH110XV60C	4040553
XC17-042-230	TXV	39,000	15.50	12.50	CX34-50/60C	SLO185B124/141V60	7109936
XC17-042-230	TXV	39,000	15.50	12.50	CX34-50/60C	SLO185UF124/141V60	7109858
XC17-042-230	TXV	39,500	15.50	12.70	CX34-50/60C	SLP98UH090XV36C	5139341
XC17-042-230	TXV	39,500	15.70	12.70	CX34-50/60C	SLP98UH090XV48C	5139342
XC17-042-230	TXV	39,500	15.70	13.00	CX34-50/60C	SLP98UH090XV60C	5139343
XC17-042-230	TXV	39,500	15.70	12.70	CX34-50/60C	SLP98UH110XV60C	5139344
XC17-042-230	TXV	39,500	14.70	12.20	CX34-60D		3844607
XC17-042-230	TXV	40,500	16.50	13.50	CX34-60D	EL180UH135E60D	5745992
XC17-042-230	TXV	40,500	16.00	13.20	CX34-60D	EL195UH135XE60D	4694503
XC17-042-230	TXV	40,500	16.00	13.20	CX34-60D	EL296UH135XE60D	5647376
XC17-042-230	TXV	40,500	16.20	13.20	CX34-60D	EL296UH135XV60D	5058850
XC17-042-230	TXV	40,500	16.50	13.50	CX34-60D	SL280UH135V60D	3946930
XC17-042-230	TXV	40,000	16.00	13.00	CX34-60D	SLO185B124/141V60	7109938
XC17-042-230	TXV	40,000	16.00	13.00	CX34-60D	SLO185UF124/141V60	7109860
XC17-042-230	TXV	40,500	16.20	13.20	CX34-60D	SLP98UH135XV60D	5139345
XC17-042-230	TXV	40,500	15.00	12.50	CX34-62C		3844608
XC17-042-230	TXV	41,000	16.50	13.50	CX34-62C	EL180UH090E60C	5736050
XC17-042-230	TXV	41,000	16.20	13.20	CX34-62C	EL180UH110E60C	5737869
XC17-042-230	TXV	41,000	16.20	13.20	CX34-62C	EL180UH110XE60C	5738956
XC17-042-230	TXV	40,500	16.20	13.20	CX34-62C	EL195UH090XE48C	4694504
XC17-042-230	TXV	41,000	16.20	13.20	CX34-62C	EL195UH110XE60C	4694505
XC17-042-230	TXV	40,500	16.20	13.20	CX34-62C	EL296UH090XE48C	5647377
XC17-042-230	TXV	41,000	16.20	13.20	CX34-62C	EL296UH090XV36C	5058851
XC17-042-230	TXV	41,000	16.50	13.50	CX34-62C	EL296UH090XV48C	5058852
XC17-042-230	TXV	40,500	16.50	13.50	CX34-62C	EL296UH090XV60C	5058853
XC17-042-230	TXV	41,000	16.20	13.20	CX34-62C	EL296UH110XE60C	5647378
XC17-042-230	TXV	41,000	16.50	13.50	CX34-62C	EL296UH110XV60C	5058854
XC17-042-230	TXV	41,500	16.70	13.70	CX34-62C	SL280UH090V60C	3946931
XC17-042-230	TXV	41,500	16.70	13.70	CX34-62C	SL280UH090XV60C	4235512
XC17-042-230	TXV	41,000	16.20	13.20	CX34-62C	SL280UH110V60C	3946932
XC17-042-230	TXV	41,000	16.20	13.20	CX34-62C	SL280UH110XV60C	4040554
XC17-042-230	TXV	40,500	16.50	13.50	CX34-62C	SLO185B124/141V60	7109937
XC17-042-230	TXV	40,500	16.50	13.50	CX34-62C	SLO185UF124/141V60	7109859
XC17-042-230	TXV	41,000	16.20	13.20	CX34-62C	SLP98UH090XV36C	5139346
XC17-042-230	TXV	41,000	16.50	13.50	CX34-62C	SLP98UH090XV48C	5139347
XC17-042-230	TXV	40,500	16.50	13.50	CX34-62C	SLP98UH090XV60C	5139348
XC17-042-230	TXV	41,000	16.50	13.50	CX34-62C	SLP98UH110XV60C	5139349
XC17-042-230	TXV	40,000	14.70	12.20	CX34-62D		5502739

### NOTES:

TXV = Matched with Thermostatic Expansion Valve.

RFC = Matched with RFC metering device.

Ratings are AHRI Certified to AHRI Standard 210/240 (with 25 ft. of connecting refrigerant lines); 95°F outdoor air temperature, 80°F db / 67°F wb entering evaporator air.

All ratings include the use of a blower time delay relay (TDR). All Lennox variable-speed furnaces and Air Handlers have time delay capabilities. Other Furnaces and Air Handlers may require an optional time delay relay (**58M81**) for field installation. See furnace or air handler specifications to determine if relay is needed.

Also see Expansion Valve Kit Usage Table.



## AHRI SYSTEM MATCHES

NOTE - For the latest up-to-date system matches please visit the AHRI web site at <http://www.ahridirectory.org>

Model No.	Expansion Device	Capacity	SEER	EER	Coil or Air Handler	Furnace	AHRI Reference
XC17-042-230	TXV	41,000	16.50	13.50	CX34-62D	EL180UH135E60D	5745993
XC17-042-230	TXV	40,500	16.00	13.20	CX34-62D	EL195UH135XE60D	4694506
XC17-042-230	TXV	40,500	16.00	13.20	CX34-62D	EL296UH135XE60D	5647379
XC17-042-230	TXV	41,000	16.20	13.50	CX34-62D	EL296UH135XV60D	5058855
XC17-042-230	TXV	41,000	16.50	13.50	CX34-62D	SL280UH135V60D	3946933
XC17-042-230	TXV	40,000	16.00	13.00	CX34-62D	SLO185B124/141V60	7109939
XC17-042-230	TXV	40,000	16.00	13.00	CX34-62D	SLO185UF124/141V60	7109861
XC17-042-230	TXV	41,000	16.50	13.50	CX34-62D	SLP98UH135XV60D	5139350
XC17-042-230	TXV	39,500	15.50	12.70	CX35-36B	EL180UH090E48B	8252901
XC17-042-230	TXV	39,500	15.50	12.70	CX35-36B	EL180UH090XE48B	8252899
XC17-042-230	TXV	39,000	15.00	12.20	CX35-36B	EL296UH045XV36B	8252902
XC17-042-230	TXV	39,000	15.00	12.20	CX35-36B	EL296UH070XV36B	8252906
XC17-042-230	TXV	39,500	15.50	12.70	CX35-36B	SL280UH090V36B	8252909
XC17-042-230	TXV	39,500	15.50	12.70	CX35-36B	SL280UH090V48B	8252911
XC17-042-230	TXV	39,500	15.50	12.70	CX35-36B	SL280UH090XV48B	8252908
XC17-042-230	TXV	39,000	15.00	12.20	CX35-36B	SLP98UH070XV36B	8252904
XC17-042-230	TXV	39,500	14.70	12.20	CX35-48B		8252913
XC17-042-230	TXV	39,500	15.50	12.70	CX35-48B	EL180UH090E48B	8252921
XC17-042-230	TXV	39,500	15.50	12.70	CX35-48B	EL180UH090XE48B	8252917
XC17-042-230	TXV	39,500	15.00	12.50	CX35-48B	EL296UH045XV36B	8252933
XC17-042-230	TXV	39,500	15.00	12.50	CX35-48B	EL296UH070XV36B	8252947
XC17-042-230	TXV	39,500	15.50	12.70	CX35-48B	SL280UH090V36B	8252964
XC17-042-230	TXV	39,500	15.50	12.70	CX35-48B	SL280UH090V48B	8252965
XC17-042-230	TXV	39,500	15.50	12.70	CX35-48B	SL280UH090XV48B	8252962
XC17-042-230	TXV	39,500	15.00	12.50	CX35-48B	SLP98UH070XV36B	8252943
XC17-042-230	TXV	39,500	14.70	12.20	CX35-48C		8252915
XC17-042-230	TXV	40,000	16.20	13.20	CX35-48C	EL180UH090E60C	8252919
XC17-042-230	TXV	40,000	15.70	13.00	CX35-48C	EL180UH110E60C	8252923
XC17-042-230	TXV	40,000	15.70	13.00	CX35-48C	EL180UH110XE60C	8252925
XC17-042-230	TXV	39,500	16.00	13.00	CX35-48C	EL195UH090XE48C	8252954
XC17-042-230	TXV	40,000	15.70	13.00	CX35-48C	EL195UH110XE60C	8252956
XC17-042-230	TXV	39,500	16.00	13.00	CX35-48C	EL296UH090XE48C	8252927
XC17-042-230	TXV	39,500	15.70	13.00	CX35-48C	EL296UH090XV36C	8252948
XC17-042-230	TXV	39,500	16.00	13.00	CX35-48C	EL296UH090XV48C	8252950
XC17-042-230	TXV	39,500	16.00	13.00	CX35-48C	EL296UH090XV60C	8252952
XC17-042-230	TXV	40,000	15.70	13.00	CX35-48C	EL296UH110XE60C	8252928
XC17-042-230	TXV	40,000	16.00	13.20	CX35-48C	EL296UH110XV48C	8252930
XC17-042-230	TXV	40,000	16.00	13.20	CX35-48C	EL296UH110XV60C	8252945
XC17-042-230	TXV	40,000	16.20	13.20	CX35-48C	SL280UH090V60C	8252967
XC17-042-230	TXV	40,000	16.20	13.20	CX35-48C	SL280UH090XV60C	8252958
XC17-042-230	TXV	40,000	15.70	13.00	CX35-48C	SL280UH110V60C	8252969
XC17-042-230	TXV	40,000	15.70	13.00	CX35-48C	SL280UH110XV60C	8252960
XC17-042-230	TXV	39,500	15.70	13.00	CX35-48C	SLP98UH090XV36C	8252935
XC17-042-230	TXV	39,500	16.00	13.00	CX35-48C	SLP98UH090XV48C	8252937
XC17-042-230	TXV	39,500	16.00	13.00	CX35-48C	SLP98UH090XV60C	8252939
XC17-042-230	TXV	40,000	16.00	13.20	CX35-48C	SLP98UH110XV60C	8252941
XC17-042-230	TXV	39,500	14.70	12.20	CX35-49C		8252971
XC17-042-230	TXV	40,000	16.00	13.20	CX35-49C	EL180UH090E60C	8252976
XC17-042-230	TXV	40,000	16.00	13.20	CX35-49C	EL180UH110E60C	8252978

### NOTES:

TXV = Matched with Thermostatic Expansion Valve.

RFC = Matched with RFC metering device.

Ratings are AHRI Certified to AHRI Standard 210/240 (with 25 ft. of connecting refrigerant lines); 95°F outdoor air temperature, 80°F db / 67°F wb entering evaporator air.

All ratings include the use of a blower time delay relay (TDR). All Lennox variable-speed furnaces and Air Handlers have time delay capabilities. Other Furnaces and Air Handlers may require an optional time delay relay (**58M81**) for field installation. See furnace or air handler specifications to determine if relay is needed.

Also see Expansion Valve Kit Usage Table.

## AHRI SYSTEM MATCHES

NOTE - For the latest up-to-date system matches please visit the AHRI web site at <http://www.ahridirectory.org>

Model No.	Expansion Device	Capacity	SEER	EER	Coil or Air Handler	Furnace	AHRI Reference
XC17-042-230	TXV	40,000	16.00	13.20	CX35-49C	EL180UH110XE60C	8252980
XC17-042-230	TXV	40,000	15.70	13.00	CX35-49C	EL195UH090XE48C	8253003
XC17-042-230	TXV	40,500	15.70	13.00	CX35-49C	EL195UH110XE60C	8253005
XC17-042-230	TXV	40,000	15.70	13.00	CX35-49C	EL296UH090XE48C	8252983
XC17-042-230	TXV	40,000	16.00	13.00	CX35-49C	EL296UH090XV36C	8252996
XC17-042-230	TXV	40,000	16.00	13.00	CX35-49C	EL296UH090XV48C	8252997
XC17-042-230	TXV	40,000	16.00	13.20	CX35-49C	EL296UH090XV60C	8252999
XC17-042-230	TXV	40,500	15.70	13.00	CX35-49C	EL296UH110XE60C	8252981
XC17-042-230	TXV	40,500	16.00	13.20	CX35-49C	EL296UH110XV48C	8252985
XC17-042-230	TXV	40,500	16.20	13.20	CX35-49C	EL296UH110XV60C	8253001
XC17-042-230	TXV	40,500	16.00	13.00	CX35-49C	SL280UH090V48B	8253008
XC17-042-230	TXV	40,500	16.20	13.50	CX35-49C	SL280UH090V60C	8253012
XC17-042-230	TXV	40,500	16.00	13.00	CX35-49C	SL280UH090XV48B	8252987
XC17-042-230	TXV	40,500	16.20	13.50	CX35-49C	SL280UH090XV60C	8253006
XC17-042-230	TXV	40,000	16.00	13.00	CX35-49C	SL280UH110V60C	8253013
XC17-042-230	TXV	40,000	16.00	13.00	CX35-49C	SL280UH110XV60C	8253010
XC17-042-230	TXV	40,000	16.00	13.00	CX35-49C	SLO185B124/141V60	8252973
XC17-042-230	TXV	40,000	16.00	13.00	CX35-49C	SLO185UF124/141V60	8252974
XC17-042-230	TXV	40,000	16.00	13.00	CX35-49C	SLP98UH090XV36C	8252990
XC17-042-230	TXV	40,000	16.00	13.00	CX35-49C	SLP98UH090XV48C	8252992
XC17-042-230	TXV	40,000	16.00	13.20	CX35-49C	SLP98UH090XV60C	8252994
XC17-042-230	TXV	40,500	16.20	13.20	CX35-49C	SLP98UH110XV60C	8252989
XC17-042-230	TXV	39,500	15.70	13.00	CX35-50/60C	EL180UH090E60C	8253019
XC17-042-230	TXV	39,500	15.70	12.70	CX35-50/60C	EL180UH110E60C	8253021
XC17-042-230	TXV	39,500	15.70	12.70	CX35-50/60C	EL180UH110XE60C	8253022
XC17-042-230	TXV	39,500	15.70	13.00	CX35-50/60C	EL195UH090XE48C	8253045
XC17-042-230	TXV	39,500	15.70	12.70	CX35-50/60C	EL195UH110XE60C	8253048
XC17-042-230	TXV	39,500	15.70	13.00	CX35-50/60C	EL296UH090XE48C	8253024
XC17-042-230	TXV	39,500	15.50	12.70	CX35-50/60C	EL296UH090XV36C	8253041
XC17-042-230	TXV	39,500	15.70	12.70	CX35-50/60C	EL296UH090XV48C	8253043
XC17-042-230	TXV	39,500	15.70	13.00	CX35-50/60C	EL296UH090XV60C	8253037
XC17-042-230	TXV	39,500	15.70	12.70	CX35-50/60C	EL296UH110XE60C	8253026
XC17-042-230	TXV	39,500	15.70	12.70	CX35-50/60C	EL296UH110XV48C	8253028
XC17-042-230	TXV	39,500	15.70	12.70	CX35-50/60C	EL296UH110XV60C	8253039
XC17-042-230	TXV	40,000	15.70	13.00	CX35-50/60C	SL280UH090V60C	8253055
XC17-042-230	TXV	40,000	15.70	13.00	CX35-50/60C	SL280UH090XV60C	8253050
XC17-042-230	TXV	39,500	15.70	12.70	CX35-50/60C	SL280UH110V60C	8253056
XC17-042-230	TXV	39,500	15.70	12.70	CX35-50/60C	SL280UH110XV60C	8253053
XC17-042-230	TXV	39,000	15.50	12.50	CX35-50/60C	SLO185B124/141V60	8253015
XC17-042-230	TXV	39,000	15.50	12.50	CX35-50/60C	SLO185UF124/141V60	8253017
XC17-042-230	TXV	39,500	15.50	12.70	CX35-50/60C	SLP98UH090XV36C	8253029
XC17-042-230	TXV	39,500	15.70	12.70	CX35-50/60C	SLP98UH090XV48C	8253031
XC17-042-230	TXV	39,500	15.70	13.00	CX35-50/60C	SLP98UH090XV60C	8253033
XC17-042-230	TXV	39,500	15.70	12.70	CX35-50/60C	SLP98UH110XV60C	8253035
XC17-042-230	TXV	40,500	15.00	12.50	CX35-60C		8255815
XC17-042-230	TXV	41,000	16.50	13.50	CX35-60C	EL180UH090E60C	8255818
XC17-042-230	TXV	41,000	16.20	13.20	CX35-60C	EL180UH110E60C	8255819
XC17-042-230	TXV	41,000	16.20	13.20	CX35-60C	EL180UH110XE60C	8255820
XC17-042-230	TXV	40,500	16.20	13.20	CX35-60C	EL195UH090XE48C	8255832

### NOTES:

TXV = Matched with Thermostatic Expansion Valve.

RFC = Matched with RFC metering device.

Ratings are AHRI Certified to AHRI Standard 210/240 (with 25 ft. of connecting refrigerant lines); 95°F outdoor air temperature, 80°F db / 67°F wb entering evaporator air.

All ratings include the use of a blower time delay relay (TDR). All Lennox variable-speed furnaces and Air Handlers have time delay capabilities. Other Furnaces and Air Handlers may require an optional time delay relay (**58M81**) for field installation. See furnace or air handler specifications to determine if relay is needed.

Also see Expansion Valve Kit Usage Table.

## AHRI SYSTEM MATCHES

NOTE - For the latest up-to-date system matches please visit the AHRI web site at <http://www.ahridirectory.org>

Model No.	Expansion Device	Capacity	SEER	EER	Coil or Air Handler	Furnace	AHRI Reference
XC17-042-230	TXV	41,000	16.20	13.20	CX35-60C	EL195UH110XE60C	8255831
XC17-042-230	TXV	40,500	16.20	13.20	CX35-60C	EL296UH090XE48C	8255821
XC17-042-230	TXV	41,000	16.20	13.20	CX35-60C	EL296UH090XV36C	8255828
XC17-042-230	TXV	41,000	16.50	13.50	CX35-60C	EL296UH090XV48C	8255829
XC17-042-230	TXV	40,500	16.50	13.50	CX35-60C	EL296UH090XV60C	8255830
XC17-042-230	TXV	41,000	16.20	13.20	CX35-60C	EL296UH110XE60C	8255822
XC17-042-230	TXV	41,000	16.50	13.50	CX35-60C	EL296UH110XV60C	8255827
XC17-042-230	TXV	41,500	16.70	13.70	CX35-60C	SL280UH090V60C	8255836
XC17-042-230	TXV	41,500	16.70	13.70	CX35-60C	SL280UH090XV60C	8255833
XC17-042-230	TXV	41,000	16.20	13.20	CX35-60C	SL280UH110V60C	8255835
XC17-042-230	TXV	41,000	16.20	13.20	CX35-60C	SL280UH110XV60C	8255834
XC17-042-230	TXV	40,500	16.50	13.50	CX35-60C	SLO185B124/141V60	8255816
XC17-042-230	TXV	40,500	16.50	13.50	CX35-60C	SLO185UF124/141V60	8255817
XC17-042-230	TXV	41,000	16.20	13.20	CX35-60C	SLP98UH090XV36C	8255823
XC17-042-230	TXV	41,000	16.50	13.50	CX35-60C	SLP98UH090XV48C	8255824
XC17-042-230	TXV	40,500	16.50	13.50	CX35-60C	SLP98UH090XV60C	8255825
XC17-042-230	TXV	41,000	16.50	13.50	CX35-60C	SLP98UH110XV60C	8255826
XC17-042-230	TXV	40,000	14.70	12.20	CX35-60D		8255837
XC17-042-230	TXV	41,000	16.50	13.50	CX35-60D	EL180UH135E60D	8255840
XC17-042-230	TXV	40,500	16.00	13.20	CX35-60D	EL195UH135XE60D	8255844
XC17-042-230	TXV	40,500	16.00	13.20	CX35-60D	EL296UH135XE60D	8255841
XC17-042-230	TXV	41,000	16.20	13.50	CX35-60D	EL296UH135XV60D	8255843
XC17-042-230	TXV	41,000	16.50	13.50	CX35-60D	SL280UH135V60D	8255845
XC17-042-230	TXV	40,000	16.00	13.00	CX35-60D	SLO185B124/141V60	8255838
XC17-042-230	TXV	40,000	16.00	13.00	CX35-60D	SLO185UF124/141V60	8255839
XC17-042-230	TXV	41,000	16.50	13.50	CX35-60D	SLP98UH135XV60D	8255842
XC17-048-230	TXV	47,500	15.00	12.50	C33-43	SL280UH090V48B	5290564
XC17-048-230	TXV	47,500	15.00	12.50	C33-43	SL280UH090XV48B	5290584
XC17-048-230	TXV	46,500	14.20	11.70	C33-48		5290694
XC17-048-230	TXV	46,500	14.70	12.20	C33-48	EL180UH090E60C	5736443
XC17-048-230	TXV	46,500	14.70	12.20	C33-48	EL180UH110E60C	5738247
XC17-048-230	TXV	46,500	14.70	12.20	C33-48	EL180UH110XE60C	5739183
XC17-048-230	TXV	46,500	14.70	12.20	C33-48	EL195UH090XE48C	5290347
XC17-048-230	TXV	46,500	14.70	12.20	C33-48	EL195UH110XE60C	5290361
XC17-048-230	TXV	46,500	14.70	12.20	C33-48	EL296UH090XE48C	5648350
XC17-048-230	TXV	47,000	14.70	12.20	C33-48	EL296UH090XV48C	5290383
XC17-048-230	TXV	47,000	14.50	12.20	C33-48	EL296UH090XV60C	5290397
XC17-048-230	TXV	46,500	14.70	12.20	C33-48	EL296UH110XE60C	5648338
XC17-048-230	TXV	47,000	14.70	12.20	C33-48	EL296UH110XV48C	5532690
XC17-048-230	TXV	47,000	14.70	12.20	C33-48	EL296UH110XV60C	5290424
XC17-048-230	TXV	46,500	14.70	12.20	C33-48	SL280UH090V48B	5290565
XC17-048-230	TXV	47,000	15.00	12.50	C33-48	SL280UH090V60C	5290570
XC17-048-230	TXV	46,500	14.70	12.20	C33-48	SL280UH090XV48B	5290585
XC17-048-230	TXV	47,000	15.00	12.50	C33-48	SL280UH090XV60C	5290590
XC17-048-230	TXV	47,000	15.00	12.50	C33-48	SL280UH110V60C	5290604
XC17-048-230	TXV	47,000	15.00	12.50	C33-48	SL280UH110XV60C	5290618
XC17-048-230	TXV	47,000	14.70	12.20	C33-48	SLP98UH090XV48C	5290643
XC17-048-230	TXV	47,000	14.50	12.20	C33-48	SLP98UH090XV60C	5290657
XC17-048-230	TXV	47,000	14.70	12.20	C33-48	SLP98UH110XV60C	5290671

### NOTES:

TXV = Matched with Thermostatic Expansion Valve.

RFC = Matched with RFC metering device.

Ratings are AHRI Certified to AHRI Standard 210/240 (with 25 ft. of connecting refrigerant lines); 95°F outdoor air temperature, 80°F db / 67°F wb entering evaporator air.

All ratings include the use of a blower time delay relay (TDR). All Lennox variable-speed furnaces and Air Handlers have time delay capabilities. Other Furnaces and Air Handlers may require an optional time delay relay (**58M81**) for field installation. See furnace or air handler specifications to determine if relay is needed.

Also see Expansion Valve Kit Usage Table.

## AHRI SYSTEM MATCHES

NOTE - For the latest up-to-date system matches please visit the AHRI web site at <http://www.ahridirectory.org>

Model No.	Expansion Device	Capacity	SEER	EER	Coil or Air Handler	Furnace	AHRI Reference
XC17-048-230	TXV	48,000	14.70	12.20	C33-49		5290695
XC17-048-230	TXV	47,000	15.50	13.00	C33-49	EL180UH090E60C	5736446
XC17-048-230	TXV	46,500	15.00	12.50	C33-49	EL180UH110E60C	5738249
XC17-048-230	TXV	46,500	15.00	12.50	C33-49	EL180UH110XE60C	5739184
XC17-048-230	TXV	48,000	15.20	12.70	C33-49	EL195UH090XE48C	5290348
XC17-048-230	TXV	48,000	15.20	12.70	C33-49	EL195UH110XE60C	5290362
XC17-048-230	TXV	48,000	15.20	12.70	C33-49	EL296UH090XE48C	5648351
XC17-048-230	TXV	48,000	15.20	12.70	C33-49	EL296UH090XV48C	5290384
XC17-048-230	TXV	48,000	15.20	12.70	C33-49	EL296UH090XV60C	5290398
XC17-048-230	TXV	48,000	15.20	12.70	C33-49	EL296UH110XE60C	5648339
XC17-048-230	TXV	48,000	15.20	12.70	C33-49	EL296UH110XV48C	5532691
XC17-048-230	TXV	48,000	15.20	12.70	C33-49	EL296UH110XV60C	5290425
XC17-048-230	TXV	48,500	15.50	13.00	C33-49	SL280UH090V60C	5290571
XC17-048-230	TXV	48,000	15.50	12.70	C33-49	SL280UH090XV60C	5290591
XC17-048-230	TXV	48,000	15.50	12.70	C33-49	SL280UH110V60C	5290605
XC17-048-230	TXV	48,000	15.50	12.70	C33-49	SL280UH110XV60C	5290619
XC17-048-230	TXV	48,500	15.00	12.50	C33-49	SLO185B124/141V60	7109940
XC17-048-230	TXV	48,500	15.00	12.50	C33-49	SLO185UF124/141V60	7109862
XC17-048-230	TXV	48,000	15.20	12.70	C33-49	SLP98UH090XV48C	5290644
XC17-048-230	TXV	48,000	15.20	12.70	C33-49	SLP98UH090XV60C	5290658
XC17-048-230	TXV	48,000	15.20	12.70	C33-49	SLP98UH110XV60C	5290672
XC17-048-230	TXV	47,000	14.50	12.00	C33-50/60C		5290696
XC17-048-230	TXV	47,500	15.00	12.50	C33-50/60C	CBWMV-60C-100	5290342
XC17-048-230	TXV	47,000	15.20	12.50	C33-50/60C	EL180UH090E60C	5736448
XC17-048-230	TXV	47,000	15.50	12.70	C33-50/60C	EL180UH110E60C	5738252
XC17-048-230	TXV	47,000	15.50	12.70	C33-50/60C	EL180UH110XE60C	5739187
XC17-048-230	TXV	47,000	15.00	12.20	C33-50/60C	EL195UH090XE48C	5290349
XC17-048-230	TXV	47,000	15.20	12.50	C33-50/60C	EL195UH110XE60C	5290363
XC17-048-230	TXV	47,000	15.00	12.20	C33-50/60C	EL296UH090XE48C	5648352
XC17-048-230	TXV	47,500	15.00	12.20	C33-50/60C	EL296UH090XV48C	5290385
XC17-048-230	TXV	47,500	14.70	12.20	C33-50/60C	EL296UH090XV60C	5290399
XC17-048-230	TXV	47,000	15.20	12.50	C33-50/60C	EL296UH110XE60C	5648340
XC17-048-230	TXV	47,000	15.00	12.20	C33-50/60C	EL296UH110XV48C	5532692
XC17-048-230	TXV	47,500	15.00	12.50	C33-50/60C	EL296UH110XV60C	5290426
XC17-048-230	TXV	47,500	15.20	12.50	C33-50/60C	SL280UH090V60C	5290572
XC17-048-230	TXV	47,500	15.20	12.50	C33-50/60C	SL280UH090XV60C	5290592
XC17-048-230	TXV	47,500	15.00	12.50	C33-50/60C	SL280UH110V60C	5290606
XC17-048-230	TXV	47,500	15.00	12.50	C33-50/60C	SL280UH110XV60C	5290620
XC17-048-230	TXV	47,500	14.50	12.00	C33-50/60C	SLO185B124/141V60	7109941
XC17-048-230	TXV	47,500	14.50	12.00	C33-50/60C	SLO185UF124/141V60	7109863
XC17-048-230	TXV	47,500	15.00	12.20	C33-50/60C	SLP98UH090XV48C	5290645
XC17-048-230	TXV	47,500	14.70	12.20	C33-50/60C	SLP98UH090XV60C	5290659
XC17-048-230	TXV	47,500	15.00	12.50	C33-50/60C	SLP98UH110XV60C	5290673
XC17-048-230	TXV	47,500	14.70	12.00	C33-60D		5290697
XC17-048-230	TXV	47,000	15.00	12.50	C33-60D	EL180UH135E60D	5746063
XC17-048-230	TXV	48,000	15.20	12.50	C33-60D	EL195UH135XE60D	5290375
XC17-048-230	TXV	48,000	15.20	12.50	C33-60D	EL296UH135XE60D	5648364
XC17-048-230	TXV	48,000	15.50	12.70	C33-60D	EL296UH135XV60D	5290433
XC17-048-230	TXV	48,500	15.50	12.70	C33-60D	SL280UH135V60D	5290632

### NOTES:

TXV = Matched with Thermostatic Expansion Valve.

RFC = Matched with RFC metering device.

Ratings are AHRI Certified to AHRI Standard 210/240 (with 25 ft. of connecting refrigerant lines); 95°F outdoor air temperature, 80°F db / 67°F wb entering evaporator air.

All ratings include the use of a blower time delay relay (TDR). All Lennox variable-speed furnaces and Air Handlers have time delay capabilities. Other Furnaces and Air Handlers may require an optional time delay relay (**58M81**) for field installation. See furnace or air handler specifications to determine if relay is needed.

Also see Expansion Valve Kit Usage Table.



## AHRI SYSTEM MATCHES

NOTE - For the latest up-to-date system matches please visit the AHRI web site at <http://www.ahridirectory.org>

Model No.	Expansion Device	Capacity	SEER	EER	Coil or Air Handler	Furnace	AHRI Reference
XC17-048-230	TXV	48,000	15.00	12.50	C33-60D	SLO185B124/141V60	7109943
XC17-048-230	TXV	48,000	15.00	12.50	C33-60D	SLO185UF124/141V60	7109865
XC17-048-230	TXV	48,000	15.50	12.70	C33-60D	SLP98UH135XV60D	5290685
XC17-048-230	TXV	48,500	14.70	12.20	C33-62C		5290698
XC17-048-230	TXV	48,500	16.00	13.00	C33-62C	EL180UH090E60C	5736449
XC17-048-230	TXV	48,000	16.00	13.00	C33-62C	EL180UH110E60C	5738563
XC17-048-230	TXV	48,000	16.00	13.00	C33-62C	EL180UH110XE60C	5739423
XC17-048-230	TXV	49,000	15.70	13.00	C33-62C	EL195UH090XE48C	5290350
XC17-048-230	TXV	49,000	15.70	13.00	C33-62C	EL195UH110XE60C	5290364
XC17-048-230	TXV	49,000	15.70	13.00	C33-62C	EL296UH090XE48C	5648353
XC17-048-230	TXV	49,000	15.70	13.00	C33-62C	EL296UH090XV48C	5290386
XC17-048-230	TXV	49,500	15.70	13.00	C33-62C	EL296UH090XV60C	5290400
XC17-048-230	TXV	49,000	15.70	13.00	C33-62C	EL296UH110XE60C	5648341
XC17-048-230	TXV	49,000	15.70	13.00	C33-62C	EL296UH110XV48C	5532693
XC17-048-230	TXV	49,000	15.70	13.00	C33-62C	EL296UH110XV60C	5290427
XC17-048-230	TXV	49,500	16.00	13.00	C33-62C	SL280UH090V60C	5290573
XC17-048-230	TXV	49,500	16.00	13.00	C33-62C	SL280UH090XV60C	5290593
XC17-048-230	TXV	49,500	16.00	13.00	C33-62C	SL280UH110V60C	5290607
XC17-048-230	TXV	49,500	16.00	13.00	C33-62C	SL280UH110XV60C	5290621
XC17-048-230	TXV	49,500	15.50	12.50	C33-62C	SLO185B124/141V60	7109942
XC17-048-230	TXV	49,500	15.50	12.50	C33-62C	SLO185UF124/141V60	7109864
XC17-048-230	TXV	49,000	15.70	13.00	C33-62C	SLP98UH090XV48C	5290646
XC17-048-230	TXV	49,500	15.70	13.00	C33-62C	SLP98UH090XV60C	5290660
XC17-048-230	TXV	49,000	15.70	13.00	C33-62C	SLP98UH110XV60C	5290674
XC17-048-230	TXV	48,500	14.70	12.20	C33-62D		5290699
XC17-048-230	TXV	49,000	15.70	13.20	C33-62D	EL180UH135E60D	5746025
XC17-048-230	TXV	48,500	15.20	12.70	C33-62D	EL195UH135XE60D	5290376
XC17-048-230	TXV	48,500	15.20	12.70	C33-62D	EL296UH135XE60D	5648365
XC17-048-230	TXV	48,500	15.70	13.00	C33-62D	EL296UH135XV60D	5290434
XC17-048-230	TXV	49,000	15.70	13.00	C33-62D	SL280UH135V60D	5290633
XC17-048-230	TXV	48,500	15.00	12.50	C33-62D	SLO185B124/141V60	7109944
XC17-048-230	TXV	48,500	15.00	12.50	C33-62D	SLO185UF124/141V60	7109866
XC17-048-230	TXV	48,500	15.70	13.00	C33-62D	SLP98UH135XV60D	5290686
XC17-048-230	TXV	46,500	14.20	11.70	C35-48B		8252523
XC17-048-230	TXV	47,500	15.00	12.50	C35-48B	SL280UH090V48B	8252521
XC17-048-230	TXV	47,500	15.00	12.50	C35-48B	SL280UH090XV48B	8252522
XC17-048-230	TXV	46,500	14.20	11.70	C35-48C		8252524
XC17-048-230	TXV	48,000	14.50	12.20	C35-49C		8252525
XC17-048-230	TXV	47,000	14.50	12.00	C35-50/60C		8252562
XC17-048-230	TXV	47,500	15.00	12.50	C35-50/60C	CBWMV-60C-100	8252526
XC17-048-230	TXV	47,000	15.10	12.50	C35-50/60C	EL180UH090E60C	8252527
XC17-048-230	TXV	47,000	15.00	12.50	C35-50/60C	EL180UH110E60C	8252528
XC17-048-230	TXV	47,000	15.00	12.50	C35-50/60C	EL180UH110XE60C	8252529
XC17-048-230	TXV	47,000	14.50	12.20	C35-50/60C	EL195UH090XE48C	8252530
XC17-048-230	TXV	47,000	15.10	12.50	C35-50/60C	EL195UH110XE60C	8252531
XC17-048-230	TXV	47,000	14.50	12.20	C35-50/60C	EL296UH090XE48C	8252532
XC17-048-230	TXV	47,500	14.50	12.00	C35-50/60C	EL296UH090XV48C	8252533
XC17-048-230	TXV	47,500	14.50	12.20	C35-50/60C	EL296UH090XV60C	8252535
XC17-048-230	TXV	47,000	15.10	12.50	C35-50/60C	EL296UH110XE60C	8252537

### NOTES:

TXV = Matched with Thermostatic Expansion Valve.

RFC = Matched with RFC metering device.

Ratings are AHRI Certified to AHRI Standard 210/240 (with 25 ft. of connecting refrigerant lines); 95°F outdoor air temperature, 80°F db / 67°F wb entering evaporator air.

All ratings include the use of a blower time delay relay (TDR). All Lennox variable-speed furnaces and Air Handlers have time delay capabilities. Other Furnaces and Air Handlers may require an optional time delay relay (**58M81**) for field installation. See furnace or air handler specifications to determine if relay is needed.

Also see Expansion Valve Kit Usage Table.

## AHRI SYSTEM MATCHES

NOTE - For the latest up-to-date system matches please visit the AHRI web site at <http://www.ahridirectory.org>

Model No.	Expansion Device	Capacity	SEER	EER	Coil or Air Handler	Furnace	AHRI Reference
XC17-048-230	TXV	47,000	14.50	12.00	C35-50/60C	EL296UH110XV48C	8252539
XC17-048-230	TXV	47,500	14.50	12.00	C35-50/60C	EL296UH110XV60C	8252541
XC17-048-230	TXV	47,500	15.10	12.50	C35-50/60C	SL280UH090V60C	8252544
XC17-048-230	TXV	47,500	14.50	12.50	C35-50/60C	SL280UH090XV60C	8272439
XC17-048-230	TXV	47,500	15.00	12.50	C35-50/60C	SL280UH110V60C	8252545
XC17-048-230	TXV	47,500	15.00	12.50	C35-50/60C	SL280UH110XV60C	8252547
XC17-048-230	TXV	47,500	14.50	12.00	C35-50/60C	SLO185B124/141V60	8252550
XC17-048-230	TXV	47,500	14.50	12.00	C35-50/60C	SLO185UF124/141V60	8252553
XC17-048-230	TXV	47,500	14.50	12.20	C35-50/60C	SLP98UH090XV48C	8252555
XC17-048-230	TXV	47,500	14.50	12.20	C35-50/60C	SLP98UH090XV60C	8252558
XC17-048-230	TXV	47,500	14.50	12.20	C35-50/60C	SLP98UH110XV60C	8252561
XC17-048-230	TXV	48,000	14.50	12.20	C35-60C		8252582
XC17-048-230	TXV	48,000	15.00	13.00	C35-60C	EL180UH090E60C	8272440
XC17-048-230	TXV	48,000	14.50	13.00	C35-60C	EL180UH110E60C	8272441
XC17-048-230	TXV	48,000	15.00	13.00	C35-60C	EL180UH110XE60C	8272442
XC17-048-230	TXV	48,000	15.50	12.50	C35-60C	EL195UH110XE60C	8252565
XC17-048-230	TXV	48,000	14.50	12.50	C35-60C	EL296UH090XE48C	8272443
XC17-048-230	TXV	48,000	15.50	12.50	C35-60C	EL296UH090XV48C	8252567
XC17-048-230	TXV	48,000	14.50	12.50	C35-60C	EL296UH090XV60C	8272444
XC17-048-230	TXV	48,000	15.50	12.50	C35-60C	EL296UH110XE60C	8252569
XC17-048-230	TXV	48,000	14.50	12.50	C35-60C	EL296UH110XV48C	8272445
XC17-048-230	TXV	48,000	15.50	12.50	C35-60C	EL296UH110XV60C	8252571
XC17-048-230	TXV	48,000	15.00	13.00	C35-60C	SL280UH090V60C	8272446
XC17-048-230	TXV	48,000	15.50	13.00	C35-60C	SL280UH090XV60C	8252573
XC17-048-230	TXV	48,000	15.00	13.00	C35-60C	SL280UH110V60C	8272447
XC17-048-230	TXV	48,000	15.50	13.00	C35-60C	SL280UH110XV60C	8252576
XC17-048-230	TXV	48,000	14.50	12.50	C35-60C	SLO185B124/141V60	8272448
XC17-048-230	TXV	48,000	15.50	12.50	C35-60C	SLO185UF124/141V60	8252578
XC17-048-230	TXV	48,000	14.50	12.50	C35-60C	SLP98UH090XV48C	8272449
XC17-048-230	TXV	48,000	15.50	12.50	C35-60C	SLP98UH090XV60C	8252580
XC17-048-230	TXV	48,000	14.50	12.50	C35-60C	SLP98UH110XV60C	8272450
XC17-048-230	TXV	48,000	14.50	12.20	C35-60D		8252592
XC17-048-230	TXV	48,000	14.50	12.50	C35-60D	EL180UH135E60D	8272451
XC17-048-230	TXV	48,000	15.10	12.50	C35-60D	EL195UH135XE60D	8252584
XC17-048-230	TXV	48,000	15.10	12.50	C35-60D	EL296UH135XE60D	8252586
XC17-048-230	TXV	48,000	15.00	12.50	C35-60D	EL296UH135XV60D	8272452
XC17-048-230	TXV	48,000	15.50	12.50	C35-60D	SL280UH135V60D	8252588
XC17-048-230	TXV	48,000	15.00	12.50	C35-60D	SLO185B124/141V60	8252590
XC17-048-230	TXV	48,000	14.50	12.50	C35-60D	SLO185UF124/141V60	8272453
XC17-048-230	TXV	48,000	15.00	12.50	C35-60D	SLP98UH135XV60D	8272454
XC17-048-230	TXV	48,000	15.50	12.70	CBX27UH-048		5290700
XC17-048-230	TXV	48,000	15.50	12.70	CBX27UH-060		5290701
XC17-048-230	TXV	48,000	15.20	12.50	CBX32M-048		5290702
XC17-048-230	TXV	48,000	15.00	12.50	CBX32M-060		5290703
XC17-048-230	TXV	48,000	15.50	13.00	CBX32MV-048		5290704
XC17-048-230	TXV	48,000	15.70	13.00	CBX32MV-060		5290705
XC17-048-230	TXV	48,000	16.00	13.00	CBX32MV-068		5290706
XC17-048-230	TXV	48,000	15.70	13.00	CBX40UHV-048		5290707
XC17-048-230	TXV	48,000	15.70	13.00	CBX40UHV-060		5290708

### NOTES:

TXV = Matched with Thermostatic Expansion Valve.

RFC = Matched with RFC metering device.

Ratings are AHRI Certified to AHRI Standard 210/240 (with 25 ft. of connecting refrigerant lines); 95°F outdoor air temperature, 80°F db / 67°F wb entering evaporator air.

All ratings include the use of a blower time delay relay (TDR). All Lennox variable-speed furnaces and Air Handlers have time delay capabilities. Other Furnaces and Air Handlers may require an optional time delay relay (**58M81**) for field installation. See furnace or air handler specifications to determine if relay is needed.

Also see Expansion Valve Kit Usage Table.

## AHRI SYSTEM MATCHES

NOTE - For the latest up-to-date system matches please visit the AHRI web site at <http://www.ahridirectory.org>

Model No.	Expansion Device	Capacity	SEER	EER	Coil or Air Handler	Furnace	AHRI Reference
XC17-048-230	TXV	46,000	14.00	11.70	CH23-51		5290709
XC17-048-230	TXV	46,500	15.00	12.50	CH23-51	EL180UH090E60C	5736452
XC17-048-230	TXV	46,000	15.00	12.50	CH23-51	EL180UH110E60C	5738253
XC17-048-230	TXV	46,000	15.00	12.50	CH23-51	EL180UH110XE60C	5739189
XC17-048-230	TXV	46,000	14.70	12.20	CH23-51	EL195UH090XE48C	5290351
XC17-048-230	TXV	46,500	14.70	12.20	CH23-51	EL195UH110XE60C	5290365
XC17-048-230	TXV	46,000	14.70	12.20	CH23-51	EL296UH090XE48C	5648354
XC17-048-230	TXV	46,500	14.70	12.20	CH23-51	EL296UH090XV48C	5290387
XC17-048-230	TXV	46,500	14.70	12.20	CH23-51	EL296UH090XV60C	5290401
XC17-048-230	TXV	46,500	14.70	12.20	CH23-51	EL296UH110XE60C	5648342
XC17-048-230	TXV	46,000	14.70	12.20	CH23-51	EL296UH110XV48C	5532694
XC17-048-230	TXV	46,500	14.70	12.20	CH23-51	EL296UH110XV60C	5290428
XC17-048-230	TXV	46,500	14.70	12.50	CH23-51	EL296UH135XV60D	5290435
XC17-048-230	TXV	46,500	15.00	12.50	CH23-51	SL280UH090V60C	5290574
XC17-048-230	TXV	46,500	15.00	12.50	CH23-51	SL280UH090XV60C	5290594
XC17-048-230	TXV	46,500	15.00	12.50	CH23-51	SL280UH110V60C	5290608
XC17-048-230	TXV	46,500	15.00	12.50	CH23-51	SL280UH110XV60C	5290622
XC17-048-230	TXV	46,500	14.70	12.20	CH23-51	SLP98UH090XV48C	5290647
XC17-048-230	TXV	46,500	14.70	12.20	CH23-51	SLP98UH090XV60C	5290661
XC17-048-230	TXV	46,500	14.70	12.20	CH23-51	SLP98UH110XV60C	5290675
XC17-048-230	TXV	46,500	15.00	12.50	CH23-51	SLP98UH135XV60D	5290687
XC17-048-230	TXV	46,500	14.20	11.70	CH23-65		5290710
XC17-048-230	TXV	47,000	15.20	12.50	CH23-65	EL180UH090E60C	5736453
XC17-048-230	TXV	46,500	15.20	12.50	CH23-65	EL180UH110E60C	5738256
XC17-048-230	TXV	46,500	15.20	12.50	CH23-65	EL180UH110XE60C	5739190
XC17-048-230	TXV	47,000	15.00	12.50	CH23-65	EL195UH090XE48C	5290352
XC17-048-230	TXV	47,000	15.00	12.50	CH23-65	EL195UH110XE60C	5290366
XC17-048-230	TXV	47,000	15.00	12.50	CH23-65	EL296UH090XE48C	5648355
XC17-048-230	TXV	47,000	15.20	12.50	CH23-65	EL296UH090XV48C	5290388
XC17-048-230	TXV	47,000	15.00	12.50	CH23-65	EL296UH090XV60C	5290402
XC17-048-230	TXV	47,000	15.00	12.50	CH23-65	EL296UH110XE60C	5648343
XC17-048-230	TXV	47,000	15.00	12.50	CH23-65	EL296UH110XV48C	5532695
XC17-048-230	TXV	47,000	15.20	12.50	CH23-65	EL296UH110XV60C	5290429
XC17-048-230	TXV	47,000	15.20	12.70	CH23-65	EL296UH135XV60D	5290436
XC17-048-230	TXV	47,000	15.20	12.70	CH23-65	SL280UH090V60C	5290575
XC17-048-230	TXV	47,000	15.20	12.70	CH23-65	SL280UH090XV60C	5290595
XC17-048-230	TXV	47,000	15.20	12.70	CH23-65	SL280UH110V60C	5290609
XC17-048-230	TXV	47,000	15.20	12.70	CH23-65	SL280UH110XV60C	5290623
XC17-048-230	TXV	47,000	15.20	12.50	CH23-65	SL280UH135V60D	5290634
XC17-048-230	TXV	47,000	15.20	12.50	CH23-65	SLP98UH090XV48C	5290648
XC17-048-230	TXV	47,000	15.00	12.50	CH23-65	SLP98UH090XV60C	5290662
XC17-048-230	TXV	47,000	15.20	12.50	CH23-65	SLP98UH110XV60C	5290676
XC17-048-230	TXV	47,000	15.50	12.70	CH23-65	SLP98UH135XV60D	5290688
XC17-048-230	TXV	48,500	14.70	12.20	CH23-68		5290711
XC17-048-230	TXV	48,500	15.70	13.00	CH23-68	EL180UH090E60C	5736456
XC17-048-230	TXV	48,500	15.70	13.00	CH23-68	EL180UH110E60C	5738258
XC17-048-230	TXV	48,500	15.70	13.00	CH23-68	EL180UH110XE60C	5739192
XC17-048-230	TXV	48,500	15.50	12.70	CH23-68	EL195UH090XE48C	5290353
XC17-048-230	TXV	48,500	15.70	13.00	CH23-68	EL195UH110XE60C	5290367

### NOTES:

TXV = Matched with Thermostatic Expansion Valve.

RFC = Matched with RFC metering device.

Ratings are AHRI Certified to AHRI Standard 210/240 (with 25 ft. of connecting refrigerant lines); 95°F outdoor air temperature, 80°F db / 67°F wb entering evaporator air.

All ratings include the use of a blower time delay relay (TDR). All Lennox variable-speed furnaces and Air Handlers have time delay capabilities. Other Furnaces and Air Handlers may require an optional time delay relay (**58M81**) for field installation. See furnace or air handler specifications to determine if relay is needed.

Also see Expansion Valve Kit Usage Table.

## AHRI SYSTEM MATCHES

NOTE - For the latest up-to-date system matches please visit the AHRI web site at <http://www.ahridirectory.org>

Model No.	Expansion Device	Capacity	SEER	EER	Coil or Air Handler	Furnace	AHRI Reference
XC17-048-230	TXV	48,500	15.50	12.70	CH23-68	EL296UH090XE48C	5648356
XC17-048-230	TXV	49,000	15.70	13.00	CH23-68	EL296UH090XV48C	5290389
XC17-048-230	TXV	49,000	15.70	13.00	CH23-68	EL296UH090XV60C	5290403
XC17-048-230	TXV	48,500	15.70	13.00	CH23-68	EL296UH110XE60C	5648344
XC17-048-230	TXV	48,500	15.70	13.00	CH23-68	EL296UH110XV60C	5290430
XC17-048-230	TXV	49,000	16.00	13.00	CH23-68	EL296UH135XV60D	5290437
XC17-048-230	TXV	49,000	16.00	13.00	CH23-68	SL280UH090V60C	5290576
XC17-048-230	TXV	49,000	16.00	13.00	CH23-68	SL280UH090XV60C	5290596
XC17-048-230	TXV	49,000	16.00	13.00	CH23-68	SL280UH110V60C	5290610
XC17-048-230	TXV	49,000	16.00	13.00	CH23-68	SL280UH110XV60C	5290624
XC17-048-230	TXV	49,000	16.00	13.00	CH23-68	SL280UH135V60D	5290635
XC17-048-230	TXV	49,000	15.70	13.00	CH23-68	SLP98UH090XV48C	5290649
XC17-048-230	TXV	49,000	15.70	13.00	CH23-68	SLP98UH090XV60C	5290663
XC17-048-230	TXV	48,500	15.70	13.00	CH23-68	SLP98UH110XV60C	5290677
XC17-048-230	TXV	49,000	16.00	13.00	CH23-68	SLP98UH135XV60D	5290689
XC17-048-230	TXV	48,000	15.50	12.70	CH33-43	SL280UH090V48B	5290566
XC17-048-230	TXV	48,000	15.50	12.70	CH33-43	SL280UH090XV48B	5290586
XC17-048-230	TXV	47,000	14.70	12.20	CH33-44/48	SL280UH090V48B	5290567
XC17-048-230	TXV	47,000	14.70	12.20	CH33-44/48	SL280UH090XV48B	5290587
XC17-048-230	TXV	47,500	14.50	12.00	CH33-48		5290712
XC17-048-230	TXV	47,500	15.20	12.70	CH33-48	EL180UH090E60C	5736457
XC17-048-230	TXV	47,000	15.20	12.50	CH33-48	EL180UH110E60C	5738259
XC17-048-230	TXV	47,000	15.20	12.50	CH33-48	EL180UH110XE60C	5739195
XC17-048-230	TXV	47,500	15.00	12.50	CH33-48	EL296UH090XV48C	5290390
XC17-048-230	TXV	47,500	15.00	12.20	CH33-48	EL296UH090XV60C	5290404
XC17-048-230	TXV	47,500	15.20	12.50	CH33-48	SL280UH090V60C	5290577
XC17-048-230	TXV	47,500	15.20	12.50	CH33-48	SL280UH090XV60C	5290597
XC17-048-230	TXV	47,500	15.20	12.50	CH33-48	SL280UH110V60C	5290611
XC17-048-230	TXV	47,500	15.20	12.50	CH33-48	SL280UH110XV60C	5290625
XC17-048-230	TXV	47,500	15.00	12.50	CH33-48	SLP98UH090XV48C	5290650
XC17-048-230	TXV	47,500	15.00	12.20	CH33-48	SLP98UH090XV60C	5290664
XC17-048-230	TXV	47,500	15.00	12.20	CH33-48	SLP98UH110XV60C	5290678
XC17-048-230	TXV	47,500	15.00	12.50	CH33-48C	EL195UH090XE48C	5290354
XC17-048-230	TXV	47,500	15.20	12.50	CH33-48C	EL195UH110XE60C	5290368
XC17-048-230	TXV	47,500	15.00	12.50	CH33-48C	EL296UH090XE48C	5648357
XC17-048-230	TXV	47,500	15.20	12.50	CH33-48C	EL296UH110XE60C	5648345
XC17-048-230	TXV	47,500	15.00	12.50	CH33-48C	EL296UH110XV48C	5532696
XC17-048-230	TXV	48,000	14.70	12.20	CH33-49		5290713
XC17-048-230	TXV	48,500	15.50	13.00	CH33-49	EL180UH090E60C	5736459
XC17-048-230	TXV	48,000	15.50	12.70	CH33-49	EL180UH110E60C	5738261
XC17-048-230	TXV	48,000	15.50	12.70	CH33-49	EL180UH110XE60C	5795884
XC17-048-230	TXV	48,000	15.20	12.70	CH33-49	EL195UH090XE48C	5290355
XC17-048-230	TXV	48,500	15.20	12.70	CH33-49	EL195UH110XE60C	5290369
XC17-048-230	TXV	48,000	15.20	12.70	CH33-49	EL296UH090XE48C	5648358
XC17-048-230	TXV	48,500	15.20	12.70	CH33-49	EL296UH090XV48C	5290391
XC17-048-230	TXV	48,500	15.20	12.50	CH33-49	EL296UH090XV60C	5290405
XC17-048-230	TXV	48,500	15.20	12.70	CH33-49	EL296UH110XE60C	5648346
XC17-048-230	TXV	48,500	15.20	12.70	CH33-49	EL296UH110XV48C	5532697
XC17-048-230	TXV	48,500	15.20	12.70	CH33-49	EL296UH110XV60C	5290431

### NOTES:

TXV = Matched with Thermostatic Expansion Valve.

RFC = Matched with RFC metering device.

Ratings are AHRI Certified to AHRI Standard 210/240 (with 25 ft. of connecting refrigerant lines); 95°F outdoor air temperature, 80°F db / 67°F wb entering evaporator air.

All ratings include the use of a blower time delay relay (TDR). All Lennox variable-speed furnaces and Air Handlers have time delay capabilities. Other Furnaces and Air Handlers may require an optional time delay relay (**58M81**) for field installation. See furnace or air handler specifications to determine if relay is needed.

Also see Expansion Valve Kit Usage Table.



## AHRI SYSTEM MATCHES

NOTE - For the latest up-to-date system matches please visit the AHRI web site at <http://www.ahridirectory.org>

Model No.	Expansion Device	Capacity	SEER	EER	Coil or Air Handler	Furnace	AHRI Reference
XC17-048-230	TXV	48,500	15.50	12.70	CH33-49	SL280UH090V60C	5290578
XC17-048-230	TXV	48,500	15.50	12.70	CH33-49	SL280UH090XV60C	5290598
XC17-048-230	TXV	48,500	15.50	12.70	CH33-49	SL280UH110V60C	5290612
XC17-048-230	TXV	48,500	15.50	12.70	CH33-49	SL280UH110XV60C	5290626
XC17-048-230	TXV	48,500	15.20	12.70	CH33-49	SLP98UH090XV48C	5290651
XC17-048-230	TXV	48,500	15.20	12.50	CH33-49	SLP98UH090XV60C	5290665
XC17-048-230	TXV	48,500	15.20	12.70	CH33-49	SLP98UH110XV60C	5290679
XC17-048-230	TXV	48,000	14.70	12.20	CH33-50/60C		5290714
XC17-048-230	TXV	48,000	15.50	12.70	CH33-50/60C	EL180UH090E60C	5736462
XC17-048-230	TXV	48,000	15.20	12.70	CH33-50/60C	EL180UH110E60C	5738245
XC17-048-230	TXV	48,000	15.20	12.70	CH33-50/60C	EL180UH110XE60C	5739197
XC17-048-230	TXV	48,000	15.20	12.50	CH33-50/60C	EL195UH090XE48C	5290356
XC17-048-230	TXV	48,000	15.20	12.50	CH33-50/60C	EL195UH110XE60C	5290370
XC17-048-230	TXV	48,000	15.20	12.50	CH33-50/60C	EL296UH090XE48C	5648333
XC17-048-230	TXV	48,000	15.20	12.50	CH33-50/60C	EL296UH090XV48C	5290392
XC17-048-230	TXV	48,000	15.00	12.50	CH33-50/60C	EL296UH090XV60C	5290406
XC17-048-230	TXV	48,000	15.20	12.50	CH33-50/60C	EL296UH110XE60C	5648359
XC17-048-230	TXV	48,000	15.20	12.50	CH33-50/60C	EL296UH110XV48C	5532698
XC17-048-230	TXV	48,000	15.20	12.50	CH33-50/60C	EL296UH110XV60C	5290432
XC17-048-230	TXV	48,500	15.50	12.70	CH33-50/60C	SL280UH090V60C	5290579
XC17-048-230	TXV	48,500	15.50	12.70	CH33-50/60C	SL280UH090XV60C	5290599
XC17-048-230	TXV	48,000	15.20	12.70	CH33-50/60C	SL280UH110V60C	5290613
XC17-048-230	TXV	48,000	15.20	12.70	CH33-50/60C	SL280UH110XV60C	5290627
XC17-048-230	TXV	48,000	15.20	12.50	CH33-50/60C	SLP98UH090XV48C	5290652
XC17-048-230	TXV	48,000	15.00	12.50	CH33-50/60C	SLP98UH090XV60C	5290666
XC17-048-230	TXV	48,000	15.20	12.50	CH33-50/60C	SLP98UH110XV60C	5290680
XC17-048-230	TXV	47,500	14.70	12.00	CH33-60D		5290715
XC17-048-230	TXV	48,000	15.50	12.70	CH33-60D	EL180UH135E60D	5746026
XC17-048-230	TXV	48,000	15.20	12.50	CH33-60D	EL195UH135XE60D	5290377
XC17-048-230	TXV	48,000	15.20	12.50	CH33-60D	EL296UH135XE60D	5648366
XC17-048-230	TXV	48,000	15.20	12.70	CH33-60D	EL296UH135XV60D	5290438
XC17-048-230	TXV	48,000	15.50	12.70	CH33-60D	SL280UH135V60D	5290636
XC17-048-230	TXV	48,000	15.50	12.70	CH33-60D	SLP98UH135XV60D	5290690
XC17-048-230	TXV	48,000	14.70	12.20	CH33-62D		5290716
XC17-048-230	TXV	48,500	15.50	13.00	CH33-62D	EL180UH135E60D	5746027
XC17-048-230	TXV	48,000	15.20	12.50	CH33-62D	EL195UH135XE60D	5290378
XC17-048-230	TXV	48,000	15.20	12.50	CH33-62D	EL296UH135XE60D	5648367
XC17-048-230	TXV	48,000	15.50	12.70	CH33-62D	EL296UH135XV60D	5290439
XC17-048-230	TXV	48,500	15.50	13.00	CH33-62D	SL280UH135V60D	5290637
XC17-048-230	TXV	48,000	15.50	12.70	CH33-62D	SLP98UH135XV60D	5290691
XC17-048-230	TXV	48,000	14.50	12.50	CH35-42B		7165013
XC17-048-230	TXV	48,000	15.10	12.50	CH35-42B	SL280UH090V48B	7165009
XC17-048-230	TXV	48,000	15.10	12.50	CH35-42B	SL280UH090XV48B	7165011
XC17-048-230	TXV	48,000	14.50	12.00	CH35-42C		7165016
XC17-048-230	TXV	48,000	14.50	12.00	CH35-48B		7165022
XC17-048-230	TXV	48,000	14.50	12.50	CH35-48B	SL280UH090V48B	7165018
XC17-048-230	TXV	48,000	14.50	12.50	CH35-48B	SL280UH090XV48B	7165020
XC17-048-230	TXV	48,000	14.50	12.00	CH35-48C		7165025
XC17-048-230	TXV	48,000	15.10	12.50	CH35-48C	EL180UH090E60C	7165040

### NOTES:

TXV = Matched with Thermostatic Expansion Valve.

RFC = Matched with RFC metering device.

Ratings are AHRI Certified to AHRI Standard 210/240 (with 25 ft. of connecting refrigerant lines); 95°F outdoor air temperature, 80°F db / 67°F wb entering evaporator air.

All ratings include the use of a blower time delay relay (TDR). All Lennox variable-speed furnaces and Air Handlers have time delay capabilities. Other Furnaces and Air Handlers may require an optional time delay relay (**58M81**) for field installation. See furnace or air handler specifications to determine if relay is needed.

Also see Expansion Valve Kit Usage Table.

## AHRI SYSTEM MATCHES

NOTE - For the latest up-to-date system matches please visit the AHRI web site at <http://www.ahridirectory.org>

Model No.	Expansion Device	Capacity	SEER	EER	Coil or Air Handler	Furnace	AHRI Reference
XC17-048-230	TXV	47,500	15.10	12.50	CH35-48C	EL180UH110E60C	7165042
XC17-048-230	TXV	47,500	15.10	12.50	CH35-48C	EL180UH110XE60C	7165045
XC17-048-230	TXV	48,000	15.10	12.50	CH35-48C	EL195UH090XE48C	7165027
XC17-048-230	TXV	48,000	15.10	12.50	CH35-48C	EL195UH110XE60C	7165031
XC17-048-230	TXV	48,000	15.10	12.50	CH35-48C	EL296UH090XE48C	7165029
XC17-048-230	TXV	48,000	15.00	12.50	CH35-48C	EL296UH090XV48C	7165036
XC17-048-230	TXV	48,000	15.00	12.50	CH35-48C	EL296UH090XV60C	7167586
XC17-048-230	TXV	48,000	15.10	12.50	CH35-48C	EL296UH110XE60C	7165033
XC17-048-230	TXV	48,000	15.10	12.50	CH35-48C	EL296UH110XV48C	7165038
XC17-048-230	TXV	48,000	15.10	12.50	CH35-48C	SL280UH090V60C	7165047
XC17-048-230	TXV	48,000	15.10	12.50	CH35-48C	SL280UH090XV60C	7165049
XC17-048-230	TXV	48,000	15.10	12.50	CH35-48C	SL280UH110V60C	7167589
XC17-048-230	TXV	48,000	15.10	12.50	CH35-48C	SL280UH110XV60C	7167590
XC17-048-230	TXV	48,000	15.00	12.50	CH35-48C	SLP98UH090XV48C	7167591
XC17-048-230	TXV	48,000	15.00	12.50	CH35-48C	SLP98UH090XV60C	7167588
XC17-048-230	TXV	48,000	15.00	12.50	CH35-48C	SLP98UH110XV60C	7167592
XC17-048-230	TXV	48,000	14.50	12.00	CH35-51C		7165053
XC17-048-230	TXV	48,000	15.50	13.00	CH35-51C	EL180UH090E60C	7165066
XC17-048-230	TXV	48,000	15.50	13.00	CH35-51C	EL180UH110E60C	7165067
XC17-048-230	TXV	48,000	15.50	13.00	CH35-51C	EL180UH110XE60C	7165068
XC17-048-230	TXV	48,000	15.10	12.50	CH35-51C	EL195UH090XE48C	7165055
XC17-048-230	TXV	48,000	15.50	13.00	CH35-51C	EL195UH110XE60C	7165059
XC17-048-230	TXV	48,000	15.10	12.50	CH35-51C	EL296UH090XE48C	7165057
XC17-048-230	TXV	48,000	15.10	12.50	CH35-51C	EL296UH090XV48C	7165062
XC17-048-230	TXV	48,000	15.10	12.50	CH35-51C	EL296UH090XV60C	7165063
XC17-048-230	TXV	48,000	15.50	13.00	CH35-51C	EL296UH110XE60C	7165061
XC17-048-230	TXV	48,000	15.10	12.50	CH35-51C	EL296UH110XV48C	7165064
XC17-048-230	TXV	48,000	15.10	12.50	CH35-51C	EL296UH110XV60C	7165065
XC17-048-230	TXV	48,000	15.50	13.00	CH35-51C	SL280UH090V60C	7165069
XC17-048-230	TXV	48,000	15.50	13.00	CH35-51C	SL280UH090XV60C	7165070
XC17-048-230	TXV	48,000	15.50	13.00	CH35-51C	SL280UH110V60C	7167593
XC17-048-230	TXV	48,000	15.50	13.00	CH35-51C	SL280UH110XV60C	7167594
XC17-048-230	TXV	48,000	15.10	12.50	CH35-51C	SLP98UH090XV48C	7167595
XC17-048-230	TXV	48,000	15.10	12.50	CH35-51C	SLP98UH090XV60C	7167596
XC17-048-230	TXV	48,000	15.10	12.50	CH35-51C	SLP98UH110XV60C	7167597
XC17-048-230	TXV	48,000	14.50	12.00	CH35-60D		7165071
XC17-048-230	TXV	48,000	15.50	13.00	CH35-60D	EL180UH135E60D	7165074
XC17-048-230	TXV	48,000	15.10	12.50	CH35-60D	EL195UH135XE60D	7165072
XC17-048-230	TXV	48,000	15.10	12.50	CH35-60D	EL296UH135XE60D	7165073
XC17-048-230	TXV	48,000	15.50	12.50	CH35-60D	EL296UH135XV60D	7167587
XC17-048-230	TXV	48,000	15.50	13.00	CH35-60D	SL280UH135V60D	7165075
XC17-048-230	TXV	48,000	15.50	13.00	CH35-60D	SLP98UH135XV60D	7167598
XC17-048-230	TXV	46,000	14.70	12.20	CR33-48	EL180DF110E60C	5733538
XC17-048-230	TXV	45,000	14.50	12.00	CR33-48	EL195DF090XE48C	5290344
XC17-048-230	TXV	45,500	14.50	12.00	CR33-48	EL195DF110XE60C	5535529
XC17-048-230	TXV	45,000	14.50	12.00	CR33-48	EL296DF090XE48C	5648347
XC17-048-230	TXV	45,500	14.50	12.00	CR33-48	EL296DF110XE60C	5648953
XC17-048-230	TXV	46,500	14.50	12.00	CR33-48	EL296DF110XV60C	5394801
XC17-048-230	TXV	46,000	14.70	12.20	CR33-48	SL280DF090V60C	5290560

### NOTES:

TXV = Matched with Thermostatic Expansion Valve.

RFC = Matched with RFC metering device.

Ratings are AHRI Certified to AHRI Standard 210/240 (with 25 ft. of connecting refrigerant lines); 95°F outdoor air temperature, 80°F db / 67°F wb entering evaporator air.

All ratings include the use of a blower time delay relay (TDR). All Lennox variable-speed furnaces and Air Handlers have time delay capabilities. Other Furnaces and Air Handlers may require an optional time delay relay (**58M81**) for field installation. See furnace or air handler specifications to determine if relay is needed.

Also see Expansion Valve Kit Usage Table.

## AHRI SYSTEM MATCHES

NOTE - For the latest up-to-date system matches please visit the AHRI web site at <http://www.ahridirectory.org>

Model No.	Expansion Device	Capacity	SEER	EER	Coil or Air Handler	Furnace	AHRI Reference
XC17-048-230	TXV	46,000	14.70	12.20	CR33-48	SL280DF110V60C	5290562
XC17-048-230	TXV	47,000	14.50	12.00	CR33-50/60		5290717
XC17-048-230	TXV	47,000	15.00	12.20	CR33-50/60	EL195DF090XE48C	5290345
XC17-048-230	TXV	47,000	15.20	12.50	CR33-50/60	EL195DF110XE60C	5290346
XC17-048-230	TXV	47,000	15.00	12.20	CR33-50/60	EL296DF090XE48C	5648348
XC17-048-230	TXV	47,500	15.00	12.50	CR33-50/60	EL296DF090XV60C	5290381
XC17-048-230	TXV	47,000	15.20	12.50	CR33-50/60	EL296DF110XE60C	5648349
XC17-048-230	TXV	47,500	15.00	12.50	CR33-50/60	EL296DF110XV60C	5290382
XC17-048-230	TXV	47,500	15.50	12.70	CR33-50/60	SL280DF090V60C	5290561
XC17-048-230	TXV	47,500	15.50	12.70	CR33-50/60	SL280DF110V60C	5290563
XC17-048-230	TXV	47,500	14.70	12.20	CR33-50/60	SLP98DF090XV48C	5290640
XC17-048-230	TXV	47,500	15.00	12.50	CR33-50/60	SLP98DF090XV60C	5290641
XC17-048-230	TXV	47,500	15.00	12.50	CR33-50/60	SLP98DF110XV60C	5290642
XC17-048-230	TXV	47,000	14.50	12.00	CR33-60		5290718
XC17-048-230	TXV	47,500	15.00	12.50	CX34-43	SL280UH090V48B	5290568
XC17-048-230	TXV	47,500	15.00	12.50	CX34-43	SL280UH090XV48B	5290588
XC17-048-230	TXV	46,500	14.20	11.70	CX34-44/48		5290719
XC17-048-230	TXV	46,500	14.70	12.20	CX34-44/48	EL180UH090E60C	5736464
XC17-048-230	TXV	46,500	15.00	12.50	CX34-44/48	EL180UH110E60C	5738263
XC17-048-230	TXV	46,500	15.00	12.50	CX34-44/48	EL180UH110XE60C	5739200
XC17-048-230	TXV	46,500	14.70	12.20	CX34-44/48	EL195UH090XE48C	5290357
XC17-048-230	TXV	46,500	14.70	12.20	CX34-44/48	EL195UH110XE60C	5290371
XC17-048-230	TXV	46,500	14.70	12.20	CX34-44/48	EL296UH090XE48C	5648334
XC17-048-230	TXV	47,000	14.70	12.20	CX34-44/48	EL296UH090XV48C	5290393
XC17-048-230	TXV	47,000	14.50	12.20	CX34-44/48	EL296UH090XV60C	5290407
XC17-048-230	TXV	46,500	14.70	12.20	CX34-44/48	EL296UH110XE60C	5648360
XC17-048-230	TXV	47,000	14.70	12.20	CX34-44/48	EL296UH110XV48C	5532699
XC17-048-230	TXV	47,000	14.70	12.20	CX34-44/48	EL296UH110XV60C	5290970
XC17-048-230	TXV	46,500	14.70	12.20	CX34-44/48	SL280UH090V48B	5290569
XC17-048-230	TXV	47,000	15.00	12.50	CX34-44/48	SL280UH090V60C	5290580
XC17-048-230	TXV	46,500	14.70	12.20	CX34-44/48	SL280UH090XV48B	5290589
XC17-048-230	TXV	47,000	15.00	12.50	CX34-44/48	SL280UH090XV60C	5290600
XC17-048-230	TXV	47,000	15.00	12.50	CX34-44/48	SL280UH110V60C	5290614
XC17-048-230	TXV	47,000	15.00	12.50	CX34-44/48	SL280UH110XV60C	5290628
XC17-048-230	TXV	47,000	14.70	12.20	CX34-44/48	SLP98UH090XV48C	5290653
XC17-048-230	TXV	47,000	14.50	12.20	CX34-44/48	SLP98UH090XV60C	5290667
XC17-048-230	TXV	47,000	14.70	12.20	CX34-44/48	SLP98UH110XV60C	5290681
XC17-048-230	TXV	48,000	14.70	12.20	CX34-49		5290720
XC17-048-230	TXV	47,000	15.50	13.00	CX34-49	EL180UH090E60C	5736465
XC17-048-230	TXV	47,000	15.50	12.70	CX34-49	EL180UH110E60C	5738265
XC17-048-230	TXV	47,000	15.50	12.70	CX34-49	EL180UH110XE60C	5739202
XC17-048-230	TXV	48,000	15.20	12.70	CX34-49	EL195UH090XE48C	5290358
XC17-048-230	TXV	48,000	15.20	12.70	CX34-49	EL195UH110XE60C	5290372
XC17-048-230	TXV	48,000	15.20	12.70	CX34-49	EL296UH090XE48C	5648335
XC17-048-230	TXV	48,000	15.20	12.70	CX34-49	EL296UH090XV48C	5290394
XC17-048-230	TXV	48,000	15.20	12.70	CX34-49	EL296UH090XV60C	5290408
XC17-048-230	TXV	48,000	15.20	12.70	CX34-49	EL296UH110XE60C	5648361
XC17-048-230	TXV	48,000	15.20	12.70	CX34-49	EL296UH110XV48C	5532700
XC17-048-230	TXV	48,000	15.20	12.70	CX34-49	EL296UH110XV60C	5290971

### NOTES:

TXV = Matched with Thermostatic Expansion Valve.

RFC = Matched with RFC metering device.

Ratings are AHRI Certified to AHRI Standard 210/240 (with 25 ft. of connecting refrigerant lines); 95°F outdoor air temperature, 80°F db / 67°F wb entering evaporator air.

All ratings include the use of a blower time delay relay (TDR). All Lennox variable-speed furnaces and Air Handlers have time delay capabilities. Other Furnaces and Air Handlers may require an optional time delay relay (**58M81**) for field installation. See furnace or air handler specifications to determine if relay is needed.

Also see Expansion Valve Kit Usage Table.

## AHRI SYSTEM MATCHES

NOTE - For the latest up-to-date system matches please visit the AHRI web site at <http://www.ahridirectory.org>

Model No.	Expansion Device	Capacity	SEER	EER	Coil or Air Handler	Furnace	AHRI Reference
XC17-048-230	TXV	48,500	15.50	13.00	CX34-49	SL280UH090V60C	5290581
XC17-048-230	TXV	48,500	15.50	13.00	CX34-49	SL280UH090XV60C	5290601
XC17-048-230	TXV	48,000	15.50	12.70	CX34-49	SL280UH110V60C	5290615
XC17-048-230	TXV	48,000	15.50	12.70	CX34-49	SL280UH110XV60C	5290629
XC17-048-230	TXV	48,500	15.00	12.50	CX34-49	SLO185B124/141V60	7109945
XC17-048-230	TXV	48,500	15.00	12.50	CX34-49	SLO185UF124/141V60	7109867
XC17-048-230	TXV	48,000	15.20	12.70	CX34-49	SLP98UH090XV48C	5290654
XC17-048-230	TXV	48,000	15.20	12.70	CX34-49	SLP98UH090XV60C	5290668
XC17-048-230	TXV	48,000	15.20	12.70	CX34-49	SLP98UH110XV60C	5290682
XC17-048-230	TXV	47,000	14.50	12.00	CX34-50/60C		5290724
XC17-048-230	TXV	47,500	15.00	12.50	CX34-50/60C	CBWMV-60C-100	5290341
XC17-048-230	TXV	47,000	15.20	12.50	CX34-50/60C	EL180UH090E60C	5736467
XC17-048-230	TXV	47,000	15.00	12.50	CX34-50/60C	EL180UH110E60C	5738268
XC17-048-230	TXV	47,000	15.00	12.50	CX34-50/60C	EL180UH110XE60C	5739204
XC17-048-230	TXV	47,000	15.00	12.20	CX34-50/60C	EL195UH090XE48C	5290359
XC17-048-230	TXV	47,000	15.20	12.50	CX34-50/60C	EL195UH110XE60C	5290373
XC17-048-230	TXV	47,000	15.00	12.20	CX34-50/60C	EL296UH090XE48C	5648336
XC17-048-230	TXV	47,500	15.00	12.20	CX34-50/60C	EL296UH090XV48C	5290395
XC17-048-230	TXV	47,500	14.70	12.20	CX34-50/60C	EL296UH090XV60C	5290409
XC17-048-230	TXV	47,000	15.20	12.50	CX34-50/60C	EL296UH110XE60C	5648362
XC17-048-230	TXV	47,000	15.00	12.20	CX34-50/60C	EL296UH110XV48C	5532701
XC17-048-230	TXV	47,500	15.00	12.50	CX34-50/60C	EL296UH110XV60C	5290977
XC17-048-230	TXV	47,500	15.20	12.50	CX34-50/60C	SL280UH090V60C	5290582
XC17-048-230	TXV	47,500	15.20	12.50	CX34-50/60C	SL280UH090XV60C	5290602
XC17-048-230	TXV	47,500	15.00	12.50	CX34-50/60C	SL280UH110V60C	5290616
XC17-048-230	TXV	47,500	15.00	12.50	CX34-50/60C	SL280UH110XV60C	5290630
XC17-048-230	TXV	47,500	14.50	12.00	CX34-50/60C	SLO185B124/141V60	7109946
XC17-048-230	TXV	47,500	14.50	12.00	CX34-50/60C	SLO185UF124/141V60	7109868
XC17-048-230	TXV	47,500	15.00	12.20	CX34-50/60C	SLP98UH090XV48C	5290655
XC17-048-230	TXV	47,500	14.70	12.20	CX34-50/60C	SLP98UH090XV60C	5290669
XC17-048-230	TXV	47,500	15.00	12.50	CX34-50/60C	SLP98UH110XV60C	5290683
XC17-048-230	TXV	47,500	14.70	12.00	CX34-60D		5290721
XC17-048-230	TXV	48,500	15.50	12.70	CX34-60D	EL180UH135E60D	5746028
XC17-048-230	TXV	48,000	15.20	12.50	CX34-60D	EL195UH135XE60D	5290379
XC17-048-230	TXV	48,000	15.20	12.50	CX34-60D	EL296UH135XE60D	5648368
XC17-048-230	TXV	48,000	15.50	12.70	CX34-60D	EL296UH135XV60D	5290440
XC17-048-230	TXV	48,500	15.50	12.70	CX34-60D	SL280UH135V60D	5290638
XC17-048-230	TXV	48,000	15.00	12.50	CX34-60D	SLO185B124/141V60	7109948
XC17-048-230	TXV	48,000	15.00	12.50	CX34-60D	SLO185UF124/141V60	7109870
XC17-048-230	TXV	48,000	15.50	12.70	CX34-60D	SLP98UH135XV60D	5290692
XC17-048-230	TXV	49,000	15.00	12.50	CX34-62C		5290722
XC17-048-230	TXV	48,500	16.00	13.00	CX34-62C	EL180UH090E60C	5736469
XC17-048-230	TXV	48,000	16.00	13.00	CX34-62C	EL180UH110E60C	5738270
XC17-048-230	TXV	48,000	16.00	13.00	CX34-62C	EL180UH110XE60C	5739206
XC17-048-230	TXV	49,000	15.70	13.00	CX34-62C	EL195UH090XE48C	5290360
XC17-048-230	TXV	49,000	15.70	13.00	CX34-62C	EL195UH110XE60C	5290374
XC17-048-230	TXV	49,000	15.70	13.00	CX34-62C	EL296UH090XE48C	5648337
XC17-048-230	TXV	49,000	15.70	13.00	CX34-62C	EL296UH090XV48C	5290396
XC17-048-230	TXV	49,500	15.70	13.00	CX34-62C	EL296UH090XV60C	5290410

### NOTES:

TXV = Matched with Thermostatic Expansion Valve.

RFC = Matched with RFC metering device.

Ratings are AHRI Certified to AHRI Standard 210/240 (with 25 ft. of connecting refrigerant lines); 95°F outdoor air temperature, 80°F db / 67°F wb entering evaporator air.

All ratings include the use of a blower time delay relay (TDR). All Lennox variable-speed furnaces and Air Handlers have time delay capabilities. Other Furnaces and Air Handlers may require an optional time delay relay (**58M81**) for field installation. See furnace or air handler specifications to determine if relay is needed.

Also see Expansion Valve Kit Usage Table.



## AHRI SYSTEM MATCHES

NOTE - For the latest up-to-date system matches please visit the AHRI web site at <http://www.ahridirectory.org>

Model No.	Expansion Device	Capacity	SEER	EER	Coil or Air Handler	Furnace	AHRI Reference
XC17-048-230	TXV	49,000	15.70	13.00	CX34-62C	EL296UH110XE60C	5648363
XC17-048-230	TXV	49,000	15.70	13.00	CX34-62C	EL296UH110XV48C	5532702
XC17-048-230	TXV	49,000	15.70	13.00	CX34-62C	EL296UH110XV60C	5290972
XC17-048-230	TXV	49,500	16.00	13.00	CX34-62C	SL280UH090V60C	5290583
XC17-048-230	TXV	49,500	16.00	13.00	CX34-62C	SL280UH090XV60C	5290603
XC17-048-230	TXV	49,500	16.00	13.00	CX34-62C	SL280UH110V60C	5290617
XC17-048-230	TXV	49,500	16.00	13.00	CX34-62C	SL280UH110XV60C	5290631
XC17-048-230	TXV	49,500	15.50	12.50	CX34-62C	SLO185B124/141V60	7109947
XC17-048-230	TXV	49,500	15.50	12.50	CX34-62C	SLO185UF124/141V60	7109869
XC17-048-230	TXV	49,000	15.70	13.00	CX34-62C	SLP98UH090XV48C	5290656
XC17-048-230	TXV	49,500	15.70	13.00	CX34-62C	SLP98UH090XV60C	5290670
XC17-048-230	TXV	49,000	15.70	13.00	CX34-62C	SLP98UH110XV60C	5290684
XC17-048-230	TXV	48,500	14.70	12.20	CX34-62D		5290723
XC17-048-230	TXV	49,000	15.70	13.20	CX34-62D	EL180UH135E60D	5746029
XC17-048-230	TXV	48,500	15.20	12.70	CX34-62D	EL195UH135XE60D	5290380
XC17-048-230	TXV	48,500	15.20	12.70	CX34-62D	EL296UH135XE60D	5648369
XC17-048-230	TXV	48,500	15.70	13.00	CX34-62D	EL296UH135XV60D	5290441
XC17-048-230	TXV	49,000	15.70	13.00	CX34-62D	SL280UH135V60D	5290639
XC17-048-230	TXV	48,500	15.00	12.50	CX34-62D	SLO185B124/141V60	7109949
XC17-048-230	TXV	48,500	15.00	12.50	CX34-62D	SLO185UF124/141V60	7109871
XC17-048-230	TXV	48,500	15.70	13.00	CX34-62D	SLP98UH135XV60D	5290693
XC17-048-230	TXV	46,500	14.20	11.70	CX35-48B		8252594
XC17-048-230	TXV	46,500	14.20	11.70	CX35-48C		8252596
XC17-048-230	TXV	47,000	14.50	12.00	CX35-50/60C		8252633
XC17-048-230	TXV	47,500	15.00	12.50	CX35-50/60C	CBWMV-60C-100	8252598
XC17-048-230	TXV	47,000	15.10	12.50	CX35-50/60C	EL180UH090E60C	8252599
XC17-048-230	TXV	47,000	15.00	12.50	CX35-50/60C	EL180UH110E60C	8252601
XC17-048-230	TXV	47,000	15.00	12.50	CX35-50/60C	EL180UH110XE60C	8252603
XC17-048-230	TXV	47,000	14.50	12.20	CX35-50/60C	EL195UH090XE48C	8252604
XC17-048-230	TXV	47,000	15.10	12.50	CX35-50/60C	EL195UH110XE60C	8252606
XC17-048-230	TXV	47,000	14.50	12.20	CX35-50/60C	EL296UH090XE48C	8252608
XC17-048-230	TXV	47,500	14.50	12.20	CX35-50/60C	EL296UH090XV48C	8252610
XC17-048-230	TXV	47,500	14.50	12.20	CX35-50/60C	EL296UH090XV60C	8252611
XC17-048-230	TXV	47,000	15.10	12.50	CX35-50/60C	EL296UH110XE60C	8252613
XC17-048-230	TXV	47,000	14.50	12.00	CX35-50/60C	EL296UH110XV48C	8252615
XC17-048-230	TXV	47,500	14.50	12.00	CX35-50/60C	EL296UH110XV60C	8252617
XC17-048-230	TXV	47,500	15.10	12.50	CX35-50/60C	SL280UH090V60C	8252618
XC17-048-230	TXV	47,500	15.10	12.50	CX35-50/60C	SL280UH090XV60C	8252620
XC17-048-230	TXV	47,500	14.50	12.50	CX35-50/60C	SL280UH110V60C	8272455
XC17-048-230	TXV	47,500	15.00	12.50	CX35-50/60C	SL280UH110XV60C	8252622
XC17-048-230	TXV	47,500	14.50	12.00	CX35-50/60C	SLO185B124/141V60	8252624
XC17-048-230	TXV	47,500	14.50	12.00	CX35-50/60C	SLO185UF124/141V60	8252626
XC17-048-230	TXV	47,500	14.50	12.20	CX35-50/60C	SLP98UH090XV48C	8252627
XC17-048-230	TXV	47,500	14.50	12.20	CX35-50/60C	SLP98UH090XV60C	8252629
XC17-048-230	TXV	47,500	14.50	12.20	CX35-50/60C	SLP98UH110XV60C	8252631
XC17-048-230	TXV	48,000	14.50	12.20	CX35-60C		8252651
XC17-048-230	TXV	48,000	15.50	12.50	CX35-60C	EL296UH090XE48C	8252635
XC17-048-230	TXV	48,000	15.50	12.50	CX35-60C	EL296UH090XV60C	8252637
XC17-048-230	TXV	48,000	15.50	12.50	CX35-60C	EL296UH110XV48C	8252639

### NOTES:

TXV = Matched with Thermostatic Expansion Valve.

RFC = Matched with RFC metering device.

Ratings are AHRI Certified to AHRI Standard 210/240 (with 25 ft. of connecting refrigerant lines); 95°F outdoor air temperature, 80°F db / 67°F wb entering evaporator air.

All ratings include the use of a blower time delay relay (TDR). All Lennox variable-speed furnaces and Air Handlers have time delay capabilities. Other Furnaces and Air Handlers may require an optional time delay relay (**58M81**) for field installation. See furnace or air handler specifications to determine if relay is needed.

Also see Expansion Valve Kit Usage Table.

## AHRI SYSTEM MATCHES

NOTE - For the latest up-to-date system matches please visit the AHRI web site at <http://www.ahridirectory.org>

Model No.	Expansion Device	Capacity	SEER	EER	Coil or Air Handler	Furnace	AHRI Reference
XC17-048-230	TXV	48,000	15.50	13.00	CX35-60C	SL280UH090V60C	8252641
XC17-048-230	TXV	48,000	15.50	13.00	CX35-60C	SL280UH110V60C	8252643
XC17-048-230	TXV	48,000	15.50	12.50	CX35-60C	SLO185B124/141V60	8252645
XC17-048-230	TXV	48,000	15.50	12.50	CX35-60C	SLO185UF124/141V60	8252647
XC17-048-230	TXV	48,000	15.50	12.50	CX35-60C	SLP98UH090XV48C	8252649
XC17-048-230	TXV	48,000	14.50	12.20	CX35-60D		8252656
XC17-048-230	TXV	48,000	15.10	12.50	CX35-60D	EL195UH135XE60D	8252653
XC17-060-230	TXV	57,500	15.50	12.50	C33-49	CBWMV-60C-100	6502477
XC17-060-230	TXV	57,000	15.50	12.70	C33-49	EL180UH090E60C	6502588
XC17-060-230	TXV	57,000	15.50	12.70	C33-49	EL180UH110E60C	6502582
XC17-060-230	TXV	57,000	14.70	12.20	C33-49	EL195UH110XE60C	6502481
XC17-060-230	TXV	57,000	14.70	12.20	C33-49	EL296UH110XE60C	6502569
XC17-060-230	TXV	57,000	15.00	12.00	C33-60D	SLO185B124/141V60	7110061
XC17-060-230	TXV	57,000	15.00	12.00	C33-60D	SLO185UF124/141V60	7110057
XC17-060-230	TXV	58,500	16.00	13.00	C33-62C	EL180UH090E60C	6502589
XC17-060-230	TXV	58,500	16.00	13.00	C33-62C	EL180UH110E60C	6502583
XC17-060-230	TXV	58,500	15.00	12.50	C33-62C	EL195UH110XE60C	6502482
XC17-060-230	TXV	58,500	15.00	12.50	C33-62C	EL296UH110XE60C	6502570
XC17-060-230	TXV	58,000	15.70	13.00	C33-62D	EL180UH135E60D	6502592
XC17-060-230	TXV	58,000	15.00	12.50	C33-62D	EL195UH135XE60D	6502483
XC17-060-230	TXV	58,000	15.00	12.50	C33-62D	EL296UH135XE60D	6502571
XC17-060-230	TXV	58,000	15.50	12.50	C33-62D	SLO185B124/141V60	7110062
XC17-060-230	TXV	58,000	15.50	12.50	C33-62D	SLO185UF124/141V60	7110058
XC17-060-230	TXV	56,000	14.50	12.00	C35-48C		8252476
XC17-060-230	TXV	56,000	15.10	12.50	C35-48C	EL180UH110E60C	8252469
XC17-060-230	TXV	56,000	14.50	12.20	C35-48C	EL195UH110XE60C	8252470
XC17-060-230	TXV	56,000	14.50	12.20	C35-48C	EL296UH110XE60C	8252471
XC17-060-230	TXV	56,000	15.00	12.50	C35-48C	SL280UH090V60C	8252472
XC17-060-230	TXV	56,000	15.00	12.50	C35-48C	SL280UH110V60C	8252473
XC17-060-230	TXV	56,000	15.00	12.20	C35-48C	SLP98UH090XV60C	8252474
XC17-060-230	TXV	56,000	15.00	12.20	C35-48C	SLP98UH110XV60C	8252475
XC17-060-230	TXV	57,500	15.10	12.50	C35-49C		8252484
XC17-060-230	TXV	57,000	15.50	12.50	C35-49C	EL180UH090E60C	8252477
XC17-060-230	TXV	57,000	15.50	12.50	C35-49C	EL180UH110E60C	8252478
XC17-060-230	TXV	57,000	14.50	12.20	C35-49C	EL195UH110XE60C	8252479
XC17-060-230	TXV	57,000	14.50	12.20	C35-49C	EL296UH110XE60C	8252480
XC17-060-230	TXV	57,500	15.50	12.50	C35-49C	SL280UH090V60C	8252481
XC17-060-230	TXV	57,000	15.10	12.50	C35-49C	SL280UH110V60C	8255863
XC17-060-230	TXV	56,500	15.10	12.50	C35-49C	SLP98UH090XV60C	8252482
XC17-060-230	TXV	57,500	15.10	12.50	C35-49C	SLP98UH110XV60C	8252483
XC17-060-230	TXV	56,000	14.50	12.00	C35-50/60C		8252493
XC17-060-230	TXV	56,000	15.10	12.20	C35-50/60C	EL180UH090E60C	8252485
XC17-060-230	TXV	56,000	15.10	12.50	C35-50/60C	EL180UH110E60C	8252486
XC17-060-230	TXV	56,000	14.50	12.20	C35-50/60C	EL195UH110XE60C	8252487
XC17-060-230	TXV	56,000	14.50	12.20	C35-50/60C	EL296UH110XE60C	8252488
XC17-060-230	TXV	56,000	15.00	12.20	C35-50/60C	SL280UH090V60C	8252489
XC17-060-230	TXV	56,000	15.00	12.20	C35-50/60C	SL280UH110V60C	8252490
XC17-060-230	TXV	55,500	15.00	12.20	C35-50/60C	SLP98UH090XV60C	8252491
XC17-060-230	TXV	56,000	14.50	12.20	C35-50/60C	SLP98UH110XV60C	8252492

### NOTES:

TXV = Matched with Thermostatic Expansion Valve.

RFC = Matched with RFC metering device.

Ratings are AHRI Certified to AHRI Standard 210/240 (with 25 ft. of connecting refrigerant lines); 95°F outdoor air temperature, 80°F db / 67°F wb entering evaporator air.

All ratings include the use of a blower time delay relay (TDR). All Lennox variable-speed furnaces and Air Handlers have time delay capabilities. Other Furnaces and Air Handlers may require an optional time delay relay (**58M81**) for field installation. See furnace or air handler specifications to determine if relay is needed.

Also see Expansion Valve Kit Usage Table.

## AHRI SYSTEM MATCHES

NOTE - For the latest up-to-date system matches please visit the AHRI web site at <http://www.ahridirectory.org>

Model No.	Expansion Device	Capacity	SEER	EER	Coil or Air Handler	Furnace	AHRI Reference
XC17-060-230	TXV	59,000	15.50	12.50	C35-60C		8252497
XC17-060-230	TXV	58,500	15.00	13.00	C35-60C	EL180UH090E60C	8255864
XC17-060-230	TXV	58,500	15.00	13.00	C35-60C	EL180UH110E60C	8255865
XC17-060-230	TXV	58,500	15.00	12.50	C35-60C	EL195UH110XE60C	8252494
XC17-060-230	TXV	58,500	15.00	12.50	C35-60C	EL296UH110XE60C	8252495
XC17-060-230	TXV	59,000	15.00	13.00	C35-60C	SL280UH090V60C	8255866
XC17-060-230	TXV	58,500	15.00	13.00	C35-60C	SL280UH110V60C	8255867
XC17-060-230	TXV	58,000	15.50	12.50	C35-60C	SLP98UH090XV60C	8252496
XC17-060-230	TXV	59,000	15.10	12.50	C35-60C	SLP98UH110XV60C	8255868
XC17-060-230	TXV	58,000	15.10	12.50	C35-60D		8252505
XC17-060-230	TXV	58,000	15.50	12.50	C35-60D	EL180UH135E60D	8252498
XC17-060-230	TXV	58,000	15.00	12.50	C35-60D	EL195UH135XE60D	8252499
XC17-060-230	TXV	58,000	15.00	12.50	C35-60D	EL296UH135XE60D	8252500
XC17-060-230	TXV	57,500	16.00	13.00	C35-60D	SL280UH135V60C	8252501
XC17-060-230	TXV	58,000	15.00	12.50	C35-60D	SLO185B124/141V60	8252502
XC17-060-230	TXV	58,000	15.00	12.50	C35-60D	SLO185UF124/141V60	8252503
XC17-060-230	TXV	58,000	15.50	12.50	C35-60D	SLP98UH135XV60C	8252504
XC17-060-230	TXV	56,500	15.50	12.70	CBX27UH-060		6502471
XC17-060-230	TXV	57,000	15.50	12.50	CBX32M-048		6502475
XC17-060-230	TXV	57,000	15.50	12.50	CBX32M-060		6502487
XC17-060-230	TXV	57,000	15.50	12.70	CBX32MV-048		6502488
XC17-060-230	TXV	57,500	15.70	12.70	CBX32MV-060		6502489
XC17-060-230	TXV	57,000	16.00	13.00	CBX32MV-068		6502490
XC17-060-230	TXV	57,000	15.70	12.70	CBX40UHV-048		6502491
XC17-060-230	TXV	57,500	15.70	12.70	CBX40UHV-060		6502492
XC17-060-230	TXV	55,500	14.70	12.00	CH23-65		6502462
XC17-060-230	TXV	56,000	14.50	12.50	CH23-65	EL180UH090E60C	6502590
XC17-060-230	TXV	55,500	14.50	12.50	CH23-65	EL180UH110E60C	6502584
XC17-060-230	TXV	56,000	14.50	12.50	CH23-65	EL180UH135E60D	6502593
XC17-060-230	TXV	55,500	14.50	12.00	CH23-65	EL195UH110XE60C	6502500
XC17-060-230	TXV	55,500	14.20	11.70	CH23-65	EL195UH135XE60D	6502501
XC17-060-230	TXV	55,000	15.20	12.20	CH23-65	EL296UH090XV60C	6502530
XC17-060-230	TXV	55,500	14.50	12.00	CH23-65	EL296UH110XE60C	6502574
XC17-060-230	TXV	55,500	15.00	12.20	CH23-65	EL296UH110XV60C	6502531
XC17-060-230	TXV	55,500	14.20	11.70	CH23-65	EL296UH135XE60D	6502575
XC17-060-230	TXV	55,500	15.20	12.20	CH23-65	EL296UH135XV60D	6502532
XC17-060-230	TXV	55,500	15.50	12.50	CH23-65	SL280UH090V60C	6502468
XC17-060-230	TXV	55,500	15.50	12.50	CH23-65	SL280UH090XV60C	6502496
XC17-060-230	TXV	55,500	15.20	12.50	CH23-65	SL280UH110V60C	6502469
XC17-060-230	TXV	55,500	15.70	12.70	CH23-65	SL280UH135V60D	6502470
XC17-060-230	TXV	55,000	15.20	12.20	CH23-65	SLP98UH090XV60C	6502548
XC17-060-230	TXV	55,500	15.00	12.20	CH23-65	SLP98UH110XV60C	6502549
XC17-060-230	TXV	55,500	15.20	12.50	CH23-65	SLP98UH135XV60D	6502550
XC17-060-230	TXV	58,000	15.20	12.50	CH23-68		6502463
XC17-060-230	TXV	58,000	15.00	13.00	CH23-68	EL180UH090E60C	6502591
XC17-060-230	TXV	58,000	15.00	13.00	CH23-68	EL180UH110E60C	6502585
XC17-060-230	TXV	58,500	15.00	13.00	CH23-68	EL180UH135E60D	6502594
XC17-060-230	TXV	58,000	15.00	12.50	CH23-68	EL195UH110XE60C	6502502
XC17-060-230	TXV	58,000	14.70	12.20	CH23-68	EL195UH135XE60D	6502503

### NOTES:

TXV = Matched with Thermostatic Expansion Valve.

RFC = Matched with RFC metering device.

Ratings are AHRI Certified to AHRI Standard 210/240 (with 25 ft. of connecting refrigerant lines); 95°F outdoor air temperature, 80°F db / 67°F wb entering evaporator air.

All ratings include the use of a blower time delay relay (TDR). All Lennox variable-speed furnaces and Air Handlers have time delay capabilities. Other Furnaces and Air Handlers may require an optional time delay relay (**58M81**) for field installation. See furnace or air handler specifications to determine if relay is needed.

Also see Expansion Valve Kit Usage Table.

## AHRI SYSTEM MATCHES

NOTE - For the latest up-to-date system matches please visit the AHRI web site at <http://www.ahridirectory.org>

Model No.	Expansion Device	Capacity	SEER	EER	Coil or Air Handler	Furnace	AHRI Reference
XC17-060-230	TXV	57,500	15.70	13.00	CH23-68	EL296UH090XV60C	6502533
XC17-060-230	TXV	58,000	15.00	12.50	CH23-68	EL296UH110XE60C	6502576
XC17-060-230	TXV	58,000	15.70	12.70	CH23-68	EL296UH110XV60C	6502534
XC17-060-230	TXV	58,000	14.70	12.20	CH23-68	EL296UH135XE60D	6502577
XC17-060-230	TXV	58,000	15.70	13.00	CH23-68	EL296UH135XV60D	6502535
XC17-060-230	TXV	58,000	16.00	13.00	CH23-68	SL280UH090V60C	6502464
XC17-060-230	TXV	58,000	16.00	13.00	CH23-68	SL280UH090XV60C	6502497
XC17-060-230	TXV	58,000	16.00	13.00	CH23-68	SL280UH110V60C	6502465
XC17-060-230	TXV	58,500	16.00	13.00	CH23-68	SL280UH135V60D	6502466
XC17-060-230	TXV	57,500	15.70	13.00	CH23-68	SLP98UH090XV60C	6502543
XC17-060-230	TXV	58,000	15.70	12.70	CH23-68	SLP98UH110XV60C	6502544
XC17-060-230	TXV	58,000	16.00	13.00	CH23-68	SLP98UH135XV60D	6502545
XC17-060-230	TXV	57,500	15.00	12.50	CH33-50/60C	SLP98UH110XV60C	7492832
XC17-060-230	TXV	57,000	15.00	12.20	CH33-60D		6502460
XC17-060-230	TXV	57,500	15.70	12.70	CH33-60D	EL180UH135E60D	6502595
XC17-060-230	TXV	57,000	14.50	12.00	CH33-60D	EL195UH135XE60D	6502484
XC17-060-230	TXV	57,000	14.50	12.00	CH33-60D	EL296UH135XE60D	6502572
XC17-060-230	TXV	57,000	15.50	12.70	CH33-60D	EL296UH135XV60D	6502536
XC17-060-230	TXV	57,000	15.70	12.70	CH33-60D	SLP98UH135XV60D	6502546
XC17-060-230	TXV	57,000	15.00	12.20	CH33-62D		6502461
XC17-060-230	TXV	57,500	14.50	12.70	CH33-62D	EL180UH135E60D	6502596
XC17-060-230	TXV	57,500	14.50	12.20	CH33-62D	EL195UH135XE60D	6502504
XC17-060-230	TXV	57,500	14.50	12.20	CH33-62D	EL296UH135XE60D	6502578
XC17-060-230	TXV	57,500	15.50	12.70	CH33-62D	EL296UH135XV60D	6502537
XC17-060-230	TXV	57,500	15.70	13.00	CH33-62D	SL280UH090V60C	6502472
XC17-060-230	TXV	57,500	15.70	13.00	CH33-62D	SL280UH090XV60C	6502476
XC17-060-230	TXV	57,000	15.70	12.70	CH33-62D	SL280UH110V60C	6502473
XC17-060-230	TXV	57,500	15.70	12.70	CH33-62D	SL280UH135V60D	6502467
XC17-060-230	TXV	57,500	15.70	12.70	CH33-62D	SLP98UH135XV60D	6502551
XC17-060-230	TXV	58,000	15.10	12.50	CH35-51C		7164952
XC17-060-230	TXV	58,000	15.50	13.00	CH35-51C	EL180UH090E60C	7164955
XC17-060-230	TXV	58,000	15.50	13.00	CH35-51C	EL180UH110E60C	7164956
XC17-060-230	TXV	57,500	15.50	12.50	CH35-51C	EL195UH110XE60C	7164953
XC17-060-230	TXV	57,500	15.50	12.50	CH35-51C	EL296UH110XE60C	7164954
XC17-060-230	TXV	58,000	15.50	13.00	CH35-51C	SL280UH090V60C	7165749
XC17-060-230	TXV	58,000	15.50	13.00	CH35-51C	SL280UH110V60C	7165750
XC17-060-230	TXV	58,000	15.10	12.50	CH35-51C	SLP98UH110XV60C	7165751
XC17-060-230	TXV	57,500	15.10	12.50	CH35-60D		7164957
XC17-060-230	TXV	57,500	15.50	12.50	CH35-60D	EL180UH135E60D	7164960
XC17-060-230	TXV	57,500	15.10	12.50	CH35-60D	EL195UH135XE60D	7164958
XC17-060-230	TXV	57,500	15.10	12.50	CH35-60D	EL296UH135XE60D	7164959
XC17-060-230	TXV	58,000	15.50	12.50	CH35-60D	SL280UH135V60D	7164961
XC17-060-230	TXV	57,500	15.50	12.50	CH35-60D	SLP98UH135XV60D	7165752
XC17-060-230	TXV	56,000	15.00	12.20	CR33-50/60		6502458
XC17-060-230	TXV	57,000	14.50	12.70	CR33-50/60	EL180DF110E60C	6502579
XC17-060-230	TXV	56,000	14.50	12.00	CR33-50/60	EL195DF110XE60C	6502499
XC17-060-230	TXV	56,000	15.20	12.50	CR33-50/60	EL296DF090XV60C	6502528
XC17-060-230	TXV	56,000	14.50	12.00	CR33-50/60	EL296DF110XE60C	6502573
XC17-060-230	TXV	56,000	15.20	12.20	CR33-50/60	EL296DF110XV60C	6502529

### NOTES:

TXV = Matched with Thermostatic Expansion Valve.

RFC = Matched with RFC metering device.

Ratings are AHRI Certified to AHRI Standard 210/240 (with 25 ft. of connecting refrigerant lines); 95°F outdoor air temperature, 80°F db / 67°F wb entering evaporator air.

All ratings include the use of a blower time delay relay (TDR). All Lennox variable-speed furnaces and Air Handlers have time delay capabilities. Other Furnaces and Air Handlers may require an optional time delay relay (**58M81**) for field installation. See furnace or air handler specifications to determine if relay is needed.

Also see Expansion Valve Kit Usage Table.



## AHRI SYSTEM MATCHES

NOTE - For the latest up-to-date system matches please visit the AHRI web site at <http://www.ahridirectory.org>

Model No.	Expansion Device	Capacity	SEER	EER	Coil or Air Handler	Furnace	AHRI Reference
XC17-060-230	TXV	57,000	15.50	12.50	CR33-50/60	SL280DF090V60C	6502493
XC17-060-230	TXV	57,000	15.50	12.70	CR33-50/60	SL280DF110V60C	6502494
XC17-060-230	TXV	56,000	15.20	12.50	CR33-50/60	SLP98DF090XV60C	6502553
XC17-060-230	TXV	56,000	15.20	12.20	CR33-50/60	SLP98DF110XV60C	6502547
XC17-060-230	TXV	56,000	15.00	12.20	CR33-60		6502459
XC17-060-230	TXV	57,500	15.20	12.50	CX34-49		6502455
XC17-060-230	TXV	57,500	15.50	12.50	CX34-49	CBWMV-60C-100	6502478
XC17-060-230	TXV	57,000	15.50	12.70	CX34-49	EL180UH090E60C	6502586
XC17-060-230	TXV	57,000	15.50	12.70	CX34-49	EL180UH110E60C	6502580
XC17-060-230	TXV	57,000	14.70	12.20	CX34-49	EL195UH110XE60C	6502479
XC17-060-230	TXV	56,500	15.20	12.50	CX34-49	EL296UH090XV60C	6502538
XC17-060-230	TXV	57,000	14.70	12.20	CX34-49	EL296UH110XE60C	6502567
XC17-060-230	TXV	57,500	15.20	12.50	CX34-49	EL296UH110XV60C	6502539
XC17-060-230	TXV	57,500	15.50	12.70	CX34-49	SL280UH090V60C	6502523
XC17-060-230	TXV	57,500	15.50	12.70	CX34-49	SL280UH090XV60C	6502474
XC17-060-230	TXV	57,000	15.50	12.70	CX34-49	SL280UH110V60C	6502524
XC17-060-230	TXV	56,500	15.20	12.50	CX34-49	SLP98UH090XV60C	6502558
XC17-060-230	TXV	57,500	15.20	12.50	CX34-49	SLP98UH110XV60C	6502554
XC17-060-230	TXV	57,000	15.00	12.20	CX34-60D		6502456
XC17-060-230	TXV	57,000	15.50	12.70	CX34-60D	EL296UH135XV60D	6502540
XC17-060-230	TXV	57,500	15.50	12.70	CX34-60D	SL280UH135V60D	6502485
XC17-060-230	TXV	57,000	15.00	12.00	CX34-60D	SLO185B124/141V60	7110063
XC17-060-230	TXV	57,000	15.00	12.00	CX34-60D	SLO185UF124/141V60	7110059
XC17-060-230	TXV	57,000	15.70	12.70	CX34-60D	SLP98UH135XV60D	6502555
XC17-060-230	TXV	59,000	15.50	12.70	CX34-62C		6502457
XC17-060-230	TXV	58,500	16.00	13.00	CX34-62C	EL180UH090E60C	6502587
XC17-060-230	TXV	58,500	15.70	13.00	CX34-62C	EL180UH110E60C	6502581
XC17-060-230	TXV	58,500	15.00	12.50	CX34-62C	EL195UH110XE60C	6502480
XC17-060-230	TXV	58,000	15.70	12.70	CX34-62C	EL296UH090XV60C	6502541
XC17-060-230	TXV	58,500	15.00	12.50	CX34-62C	EL296UH110XE60C	6502568
XC17-060-230	TXV	59,000	15.70	12.70	CX34-62C	EL296UH110XV60C	6502542
XC17-060-230	TXV	59,000	16.00	13.00	CX34-62C	SL280UH090V60C	6502486
XC17-060-230	TXV	59,000	16.00	13.00	CX34-62C	SL280UH090XV60C	6502495
XC17-060-230	TXV	58,500	16.00	13.00	CX34-62C	SL280UH110V60C	6502498
XC17-060-230	TXV	58,000	15.50	12.50	CX34-62C	SLO185B124/141V60	7110064
XC17-060-230	TXV	58,000	15.50	12.50	CX34-62C	SLO185UF124/141V60	7110060
XC17-060-230	TXV	58,000	15.50	12.50	CX34-62C	SLP98UH090XV60C	6502556
XC17-060-230	TXV	59,000	15.70	12.70	CX34-62C	SLP98UH110XV60C	6502557
XC17-060-230	TXV	58,000	15.20	12.50	CX34-62D		6502454
XC17-060-230	TXV	58,000	15.70	13.00	CX34-62D	EL296UH135XV60D	6502527
XC17-060-230	TXV	57,500	16.00	13.00	CX34-62D	SL280UH135V60D	6502511
XC17-060-230	TXV	58,000	15.70	13.00	CX34-62D	SLP98UH135XV60D	6502552
XC17-060-230	TXV	56,000	14.50	12.00	CX35-48C		8252514
XC17-060-230	TXV	56,000	15.50	12.50	CX35-48C	EL180UH090E60C	8252506
XC17-060-230	TXV	56,000	15.10	12.50	CX35-48C	EL180UH110E60C	8252507
XC17-060-230	TXV	56,000	14.50	12.20	CX35-48C	EL195UH110XE60C	8252508
XC17-060-230	TXV	56,000	14.50	12.20	CX35-48C	EL296UH110XE60C	8252509
XC17-060-230	TXV	56,000	15.00	12.50	CX35-48C	SL280UH090V60C	8252510
XC17-060-230	TXV	56,000	15.00	12.50	CX35-48C	SL280UH110V60C	8252511

### NOTES:

TXV = Matched with Thermostatic Expansion Valve.

RFC = Matched with RFC metering device.

Ratings are AHRI Certified to AHRI Standard 210/240 (with 25 ft. of connecting refrigerant lines); 95°F outdoor air temperature, 80°F db / 67°F wb entering evaporator air.

All ratings include the use of a blower time delay relay (TDR). All Lennox variable-speed furnaces and Air Handlers have time delay capabilities. Other Furnaces and Air Handlers may require an optional time delay relay (**58M81**) for field installation. See furnace or air handler specifications to determine if relay is needed.

Also see Expansion Valve Kit Usage Table.

## AHRI SYSTEM MATCHES

NOTE - For the latest up-to-date system matches please visit the AHRI web site at <http://www.ahridirectory.org>

Model No.	Expansion Device	Capacity	SEER	EER	Coil or Air Handler	Furnace	AHRI Reference
XC17-060-230	TXV	56,000	15.00	12.20	CX35-48C	SLP98UH090XV60C	8252512
XC17-060-230	TXV	56,000	15.00	12.20	CX35-48C	SLP98UH110XV60C	8252513
XC17-060-230	TXV	57,500	15.10	12.50	CX35-49C		8255877
XC17-060-230	TXV	57,000	15.50	12.50	CX35-49C	EL180UH090E60C	8255869
XC17-060-230	TXV	57,000	15.50	12.50	CX35-49C	EL180UH110E60C	8255870
XC17-060-230	TXV	57,000	14.50	12.20	CX35-49C	EL195UH110XE60C	8255871
XC17-060-230	TXV	57,000	14.50	12.20	CX35-49C	EL296UH110XE60C	8255872
XC17-060-230	TXV	57,500	15.50	12.50	CX35-49C	SL280UH090V60C	8255873
XC17-060-230	TXV	57,000	15.50	12.50	CX35-49C	SL280UH110V60C	8255874
XC17-060-230	TXV	56,500	15.10	12.50	CX35-49C	SLP98UH090XV60C	8255875
XC17-060-230	TXV	57,500	15.10	12.50	CX35-49C	SLP98UH110XV60C	8255876
XC17-060-230	TXV	56,000	14.50	12.00	CX35-50/60C		8255886
XC17-060-230	TXV	56,000	15.10	12.20	CX35-50/60C	EL180UH090E60C	8255878
XC17-060-230	TXV	56,000	15.10	12.50	CX35-50/60C	EL180UH110E60C	8255879
XC17-060-230	TXV	56,000	14.50	12.20	CX35-50/60C	EL195UH110XE60C	8255880
XC17-060-230	TXV	56,000	14.50	12.20	CX35-50/60C	EL296UH110XE60C	8255881
XC17-060-230	TXV	56,000	15.00	12.20	CX35-50/60C	SL280UH090V60C	8255882
XC17-060-230	TXV	56,000	15.00	12.20	CX35-50/60C	SL280UH110V60C	8255883
XC17-060-230	TXV	55,500	15.00	12.20	CX35-50/60C	SLP98UH090XV60C	8255884
XC17-060-230	TXV	56,000	14.50	12.20	CX35-50/60C	SLP98UH110XV60C	8255885
XC17-060-230	TXV	59,000	15.50	12.50	CX35-60C		8252520
XC17-060-230	TXV	58,500	15.50	12.50	CX35-60C	CBWMV-60C-100	8252515
XC17-060-230	TXV	58,500	15.00	12.50	CX35-60C	CBWMV-60C-120	8255887
XC17-060-230	TXV	58,500	15.00	13.00	CX35-60C	EL180UH090E60C	8255888
XC17-060-230	TXV	58,500	15.00	13.00	CX35-60C	EL180UH110E60C	8255889
XC17-060-230	TXV	58,500	15.00	12.50	CX35-60C	EL195UH110XE60C	8252516
XC17-060-230	TXV	58,500	15.00	12.50	CX35-60C	EL296UH110XE60C	8252517
XC17-060-230	TXV	59,000	15.00	13.00	CX35-60C	SL280UH090V60C	8255890
XC17-060-230	TXV	58,500	15.00	13.00	CX35-60C	SL280UH110V60C	8255891
XC17-060-230	TXV	58,000	15.50	12.50	CX35-60C	SLP98UH090XV60C	8252518
XC17-060-230	TXV	59,000	15.50	12.50	CX35-60C	SLP98UH110XV60C	8252519
XC17-060-230	TXV	58,000	15.10	12.50	CX35-60D		8255895
XC17-060-230	TXV	58,000	15.00	12.50	CX35-60D	EL195UH135XE60D	8255892
XC17-060-230	TXV	58,000	15.00	12.50	CX35-60D	EL296UH135XE60D	8255896
XC17-060-230	TXV	58,000	15.00	12.50	CX35-60D	SLO185B124/141V60	8255893
XC17-060-230	TXV	58,000	15.00	12.50	CX35-60D	SLO185UF124/141V60	8255894
XC17-060-230	TXV	58,000	15.00	12.50	CX35-60D	SLP98UH135XV60C	8255897

### NOTES:

TXV = Matched with Thermostatic Expansion Valve.

RFC = Matched with RFC metering device.

Ratings are AHRI Certified to AHRI Standard 210/240 (with 25 ft. of connecting refrigerant lines); 95°F outdoor air temperature, 80°F db / 67°F wb entering evaporator air.

All ratings include the use of a blower time delay relay (TDR). All Lennox variable-speed furnaces and Air Handlers have time delay capabilities. Other Furnaces and Air Handlers may require an optional time delay relay (**58M81**) for field installation. See furnace or air handler specifications to determine if relay is needed.

Also see Expansion Valve Kit Usage Table.



## REVISIONS

Sections	Description of Change
AHRI System Matches	Updated.



Visit us at [www.lennox.com](http://www.lennox.com)

For the latest technical information, [www.lennox.com](http://www.lennox.com)

Contact us at 1-800-4-LENNOX

NOTE - Due to Lennox' ongoing commitment to quality, Specifications, Ratings and Dimensions subject to change without notice and without incurring liability. Improper installation, adjustment, alteration, service or maintenance can cause property damage or personal injury. Installation and service must be performed by a qualified installer and servicing agency.

©2015 Lennox Industries, Inc.