



SUBMITTAL DATA – WALL MOUNTED

MHA009S4S-1L – MWHA009S4-1L

SINGLE ZONE MINI-SPLIT HEAT PUMP

Job: _____
 Location: _____
 Schedule No.: _____
 System Designation: _____

Engineer: _____
 Architect: _____
 Date: _____
 For: Reference Approval Review Construction

FEATURES

Outdoor Unit: MHA009S4S-1L

Indoor Unit: MWHA009S4-1L



- DC Inverter Control
- Compressor Overcurrent Protection
- Defrost Control

- Pre-Heat Function
- Auto Restart
- Three Speed Fan
- Flare Connections
- Multi-Refrigerant Outlet
- LED Readout
- Wireless Remote Included

PIPING

Line Set and Elevation Guidelines	
Maximum Line Set Length ft. (m)	82 (25)
Maximum Elevation - Outdoor Unit Below/Above Indoor Unit ft. (m)	33 (10)
Liquid Line Set Diameter (in.)	1/4
Gas Line Set Diameter (in.)	3/8
Pre-Charged (ft.)	25
Additional Charge of Refrigerant (oz/ft.)	0.161

PRODUCT WARRANTY

Compressor – Seven year limited warranty
 All other covered components - Five year limited warranty

OPTIONAL ACCESSORIES

Non-Programmable Controller (M0STAT61Q-1)
 Programmable Controller (M0STAT64Q-1)
 Hail Guards (M9GARD19Q-1)



NOTE – Due to Lennox' ongoing commitment to quality, Specifications, Ratings, and Dimensions are subject to change without notice and without incurring liability. Improper installation, adjustment, alteration, service or maintenance can cause property damage or personal injury. Installation and service must be performed by a qualified installer and servicing agency.



SUBMITTAL DATA – WALL MOUNTED

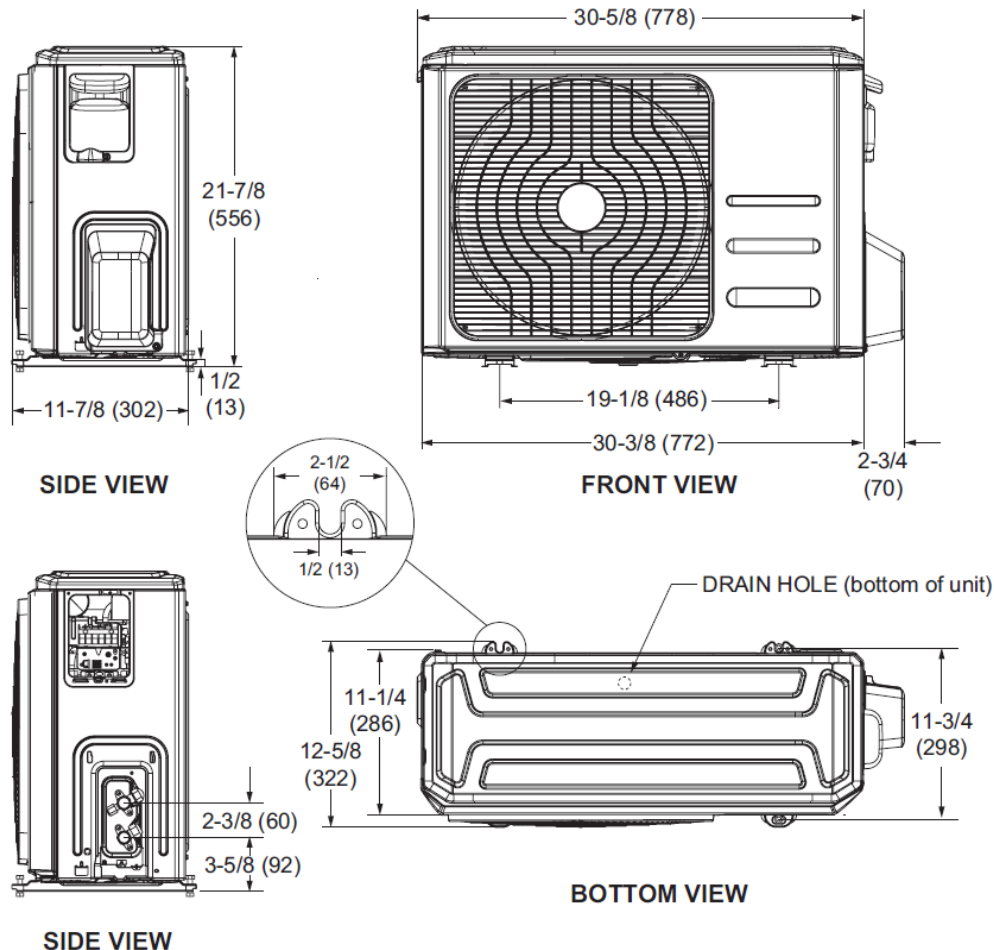
MHA009S4S-1L – MWHA009S4-1L

SINGLE ZONE MINI-SPLIT HEAT PUMP

OUTDOOR SPECIFICATIONS

PERFORMANCE		GENERAL DATA	
Cooling Capacity (Btu/h) ¹	9,000	Connection Ratio (%)	100%
EER	11.5	Max. # of Indoor Units	1 unit
SEER	19	Sound Data (dBA)	52
Heating Capacity (Btu/h) ¹	10,000	Refrigerant type	R-410A
HSPF	10.0	Factory refrigerant charge	1 lbs. 14oz.
Outdoor Fan Total Air Volume (CFM)	1,175	DIMENSIONS	
Ambient Temperature Operating Range		Unit Dimensions (in)	Height 21-7/8
Cooling	5°F - 122°F		Width 30-5/8
Heating	5°F - 86°F		Depth 11-3/4
ELECTRICAL DATA		Shipping Weight (lb)	72
Power Supply (V/Hz/Φ)	115/60/1	Net Weight (lb)	67
Minimum Circuit Ampacity (A)	16	NOTES	
Maximum Overcurrent Protection (A)	20	1. Cooling and Heating Capacity data is rated at the following conditions:	
Outdoor Fan Motor RLA (A)	0.6	Cooling: 80°FDB / 67°FWB Indoor, 95°FDB Outdoor	
Compressor RLA (A)	11.5	Heating: 70°FDB Indoor, 47°FDB / 43°FWB Outdoor	
No. of Compressors	1		

OUTDOOR DIMENSIONAL DRAWINGS - INCHES (MM)



NOTE – Due to Lennox' ongoing commitment to quality, Specifications, Ratings, and Dimensions are subject to change without notice and without incurring liability. Improper installation, adjustment, alteration, service or maintenance can cause property damage or personal injury. Installation and service must be performed by a qualified installer and servicing agency.



SUBMITTAL DATA - WALL-MOUNTED

MHA009S4S-1L - MWHA009S4-1L

SINGLE ZONE MINI-SPLIT HEAT PUMP

INDOOR SPECIFICATIONS

PERFORMANCE

Airflow (CFM)	High	247
	Medium	182
	Low	129
Sound Pressure (dBA)	High	38
	Medium	32
	Low	25

ELECTRICAL DATA

Power Supply (V/Hz/Φ)	Supplied by ODU
Rated load amps (RLA)	0.7
Power Output (W)	20

DIMENSIONS

Unit Dimensions (in)	Height	11-3/8
	Width	29-5/8
	Depth	8-5/8

Unit Net/Shipping Weight (lb)	18/23
-------------------------------	-------

PIPING

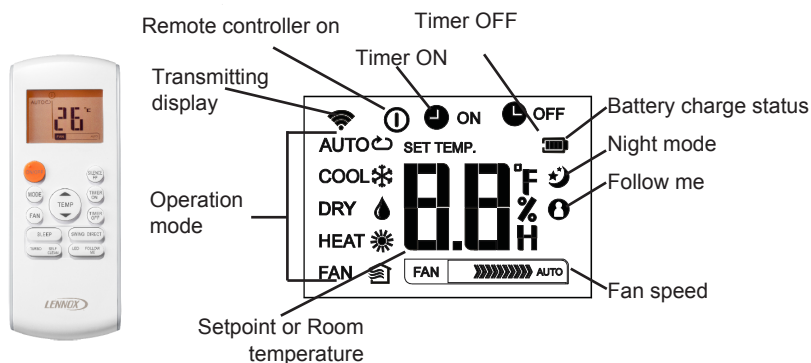
Liquid/Gas O.D. Flare (in.)	1/4 , 3/8
Drain Connection O.D. (in.)	1

WIRELESS REMOTE CONTROLLER SPECIFICATIONS

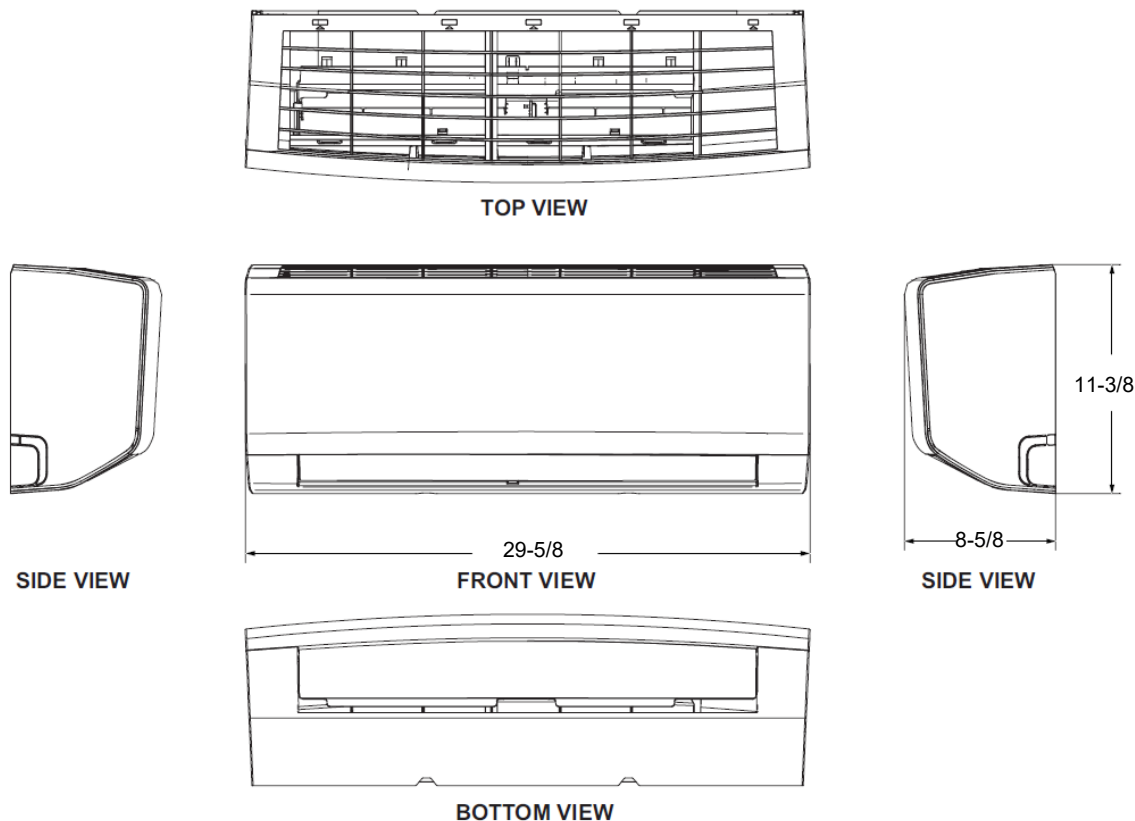
M0STAT60Q-1

Power Supply	2 AAA Batteries (Included)
Setpoint Range	62°F - 86°F
Operating Temperature Range	23°F - 140°F
Operating Humidity Range (RH)	40% to 90%
Effective Receiving Range	25 ft.

DISPLAY



INDOOR DIMENSIONAL DRAWINGS - INCHES (MM)



NOTE - Due to Lennox' ongoing commitment to quality, Specifications, Ratings, and Dimensions are subject to change without notice and without incurring liability. Improper installation, adjustment, alteration, service or maintenance can cause property damage or personal injury. Installation and service must be performed by a qualified installer and servicing agency.