



SUBMITTAL DATA – OUTDOOR  
UNIT MPC018S4M-1P  
MULTI-ZONE MINI-SPLIT HEAT PUMP

**Job:** \_\_\_\_\_  
**Location:** \_\_\_\_\_  
**Schedule No.:** \_\_\_\_\_  
**System Designation:** \_\_\_\_\_

**Engineer:** \_\_\_\_\_  
**Architect:** \_\_\_\_\_  
**Date:** \_\_\_\_\_  
**For:**  Reference  Approval  Review  Construction

**FEATURES**

**Outdoor Unit: MPC018S4M-1P**

**Indoor Unit Options: Ducted OR Non-Ducted**



- Defrost Control
- DC Inverter Control
- Base Pan Heater
- Crankcase Heater



**Piping**

**Line Set and Elevation Guidelines**

Maximum Number of Indoor Units/Zones	2
Liquid Line Set Diameter (in.)	(2) 1/4
Gas Line Set Diameter (in.)	(2) 3/8
Maximum Pipe Length ft. (m)	131 ft. (40 m)
Maximum Line Set Length - Furthest Indoor Unit	82 ft. (25 m)
Maximum Elevation - Outdoor Unit Below/Above Indoor Unit ft. (m)	49 ft. (15m)
Pre-Charged (ft.)	25 ft.
Additional Charge of Refrigerant (oz/ft.)	0.16

**PRODUCT WARRANTY**

Compressor – Twelve year limited warranty\*  
 All other covered components - Twelve year limited warranty\*  
 \*Product registration required

**OPTIONAL ACCESSORIES**

Non-Programmable Controller (M0STAT61Q-1)  
 Programmable Controller (M0STAT64Q-2)



NOTE – Due to Lennox' ongoing commitment to quality, Specifications, Ratings, and Dimensions are subject to change without notice and without incurring liability. Improper installation, adjustment, alteration, service or maintenance can cause property damage or personal injury. Installation and service must be performed by a qualified installer and servicing agency.



# SUBMITTAL DATA – OUTDOOR UNIT MPC018S4M-1P MULTI-ZONE MINI-SPLIT HEAT PUMP

## OUTDOOR SPECIFICATIONS

### PERFORMANCE

Cooling Capacity (Btu/h) <sup>1</sup>	Ducted	18,000
	Non-Ducted	18,000
EER	Ducted	12.0
	Non-Ducted	13.3
SEER	Ducted	19.0
	Non-Ducted	22.5
Heating Capacity (Btu/h) <sup>1</sup>	Ducted	19,000
	Non-Ducted	19,000
HSPF	Ducted	10.8
	Non-Ducted	10.6
Outdoor Fan Total Air Volume (CFM)		1765
Ambient Temperature Operating Range		
Cooling		-13 - 122°F
Heating		-13 - 86°F

### ELECTRICAL DATA

Power Supply (V/Hz/Φ)	208-230/60/1
Minimum Circuit Ampacity (A)	18.0
Maximum Overcurrent Protection (A)	25.0
Outdoor Fan Motor Output (W)	80.0
No. of Compressors	1

### GENERAL DATA

Connection Ratio (%)	66% to 133%
Max. # of Indoor Units	Up to 2 units
Sound Data (dBA) - Cooling/Heating	58.5/58.5
Refrigerant type	R-410A
Factory refrigerant charge	4 lbs. 1 oz.

### DIMENSIONS

Unit Dimensions (in)	Height	26-1/2
	Width	39
	Depth	13-3/4
Shipping Weight (lb)		109
Net Weight (lb)		100

### NOTES

- Cooling and Heating Capacity data is rated at the following conditions:  
Cooling: 80°FDB / 67°FWB Indoor, 95°FDB Outdoor  
Heating: 70°FDB Indoor, 47°FDB / 43°FWB Outdoor

## Multi-Zone System Combinations

**NOTE - For multi-zone systems, the total capacity of all indoor units must be 66% to 133% of the outdoor unit capacity.**

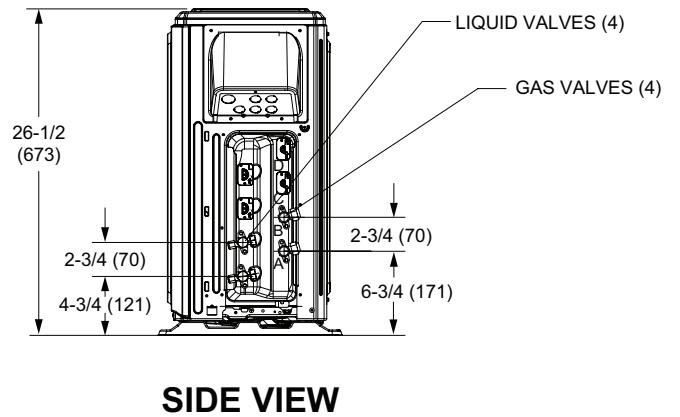
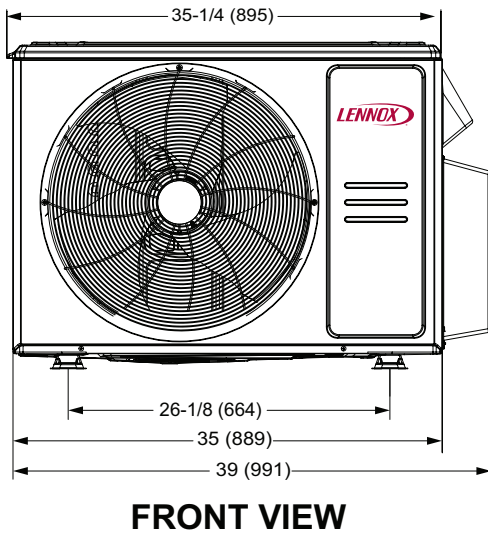
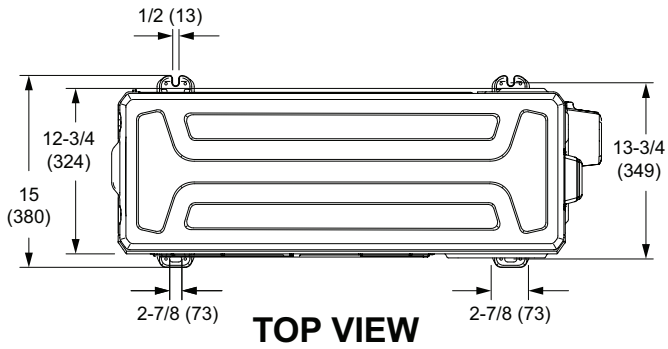
Outdoor Unit Model No.	Number of Zones	Indoor Unit Capacity					Nominal Cooling Capacity at Rated System Capacity (Btuh)					Nominal Heating Capacity at Rated System Capacity (Btuh)				
		#1	#2	#3	#4	#5	#1	#2	#3	#4	#5	#1	#2	#3	#4	#5
MPC018S4M	2	6K	6K	--	---	--	6,000	6,000	--	---	--	6,700	6,700	--	---	--
		6K	9K	--	---	--	6,000	9,000	--	---	--	6,600	9,900	--	---	--
		6K	12K	--	---	--	6,000	12,000	--	---	--	6,300	12,500	--	---	--
		9K	9K	--	---	--	9,000	9,000	--	---	--	9,500	9,500	--	---	--
		9K	12K	--	---	--	8,000	11,000	--	---	--	8,600	11,500	--	---	--
		12K	12K	--	---	--	10,000	10,000	--	---	--	10,100	10,100	--	---	--

NOTE – Due to Lennox' ongoing commitment to quality, Specifications, Ratings, and Dimensions are subject to change without notice and without incurring liability. Improper installation, adjustment, alteration, service or maintenance can cause property damage or personal injury. Installation and service must be performed by a qualified installer and servicing agency.



SUBMITTAL DATA – OUTDOOR  
 UNIT MPC018S4M-1P  
 MULTI-ZONE MINI-SPLIT HEAT PUMP

**OUTDOOR DIMENSIONAL DRAWINGS - INCHES (MM)**



NOTE – Due to Lennox' ongoing commitment to quality, Specifications, Ratings, and Dimensions are subject to change without notice and without incurring liability. Improper installation, adjustment, alteration, service or maintenance can cause property damage or personal injury. Installation and service must be performed by a qualified installer and servicing agency.