



**SUBMITTAL DATA – WALL-MOUNTED
MCA009S4S-1P - MWCA009S4-1P
SINGLE ZONE MINI-SPLIT AIR CONDITIONER**

Job: _____
Location: _____
Schedule No.: _____
System Designation: _____

Engineer: _____
Architect: _____
Date: _____
For: Reference Approval Review Construction

FEATURES

Outdoor Unit: MCA009S4S-1P

Indoor Unit: MWCA009S4-1P



- Cooling Only System
- DC Inverter Control
- Compressor Overcurrent Protection

- Auto Restart
- Three Speed Fan
- Flare Connections
- LED Readout
- Multi-Refrigerant Outlet
- Wireless Remote Included

PIPING

Line Set and Elevation Guidelines	
Maximum Line Set Length ft. (m)	82 (25)
Maximum Elevation - Outdoor Unit Below/Above Indoor Unit ft. (m)	33 (10)
Liquid Line Set Diameter (in.)	1/4
Gas Line Set Diameter (in.)	3/8
Pre-Charged (ft.)	20
Additional Charge of Refrigerant (oz/ft.)	0.161

PRODUCT WARRANTY

Compressor – Five year limited warranty
 All other covered components - Five year limited warranty

OPTIONAL ACCESSORIES

Non-Programmable Controller (M0STAT61Q-1)
 Programmable Controller (M0STAT64Q-1)
 Hail Guards (M9GARD19Q-1)



NOTE – Due to Lennox' ongoing commitment to quality, Specifications, Ratings, and Dimensions are subject to change without notice and without incurring liability. Improper installation, adjustment, alteration, service or maintenance can cause property damage or personal injury. Installation and service must be performed by a qualified installer and servicing agency.



SUBMITTAL DATA – WALL-MOUNTED MCA009S4S-1P - MWCA009S4-1P SINGLE ZONE MINI-SPLIT AIR CONDITIONER

OUTDOOR SPECIFICATIONS

PERFORMANCE	
Cooling Capacity (Btu/h) ¹	9,000
EER	11.10
SEER	19
Outdoor Fan Total Air Volume (CFM)	1,230
Ambient Temperature Operating Range	
Cooling	5°F - 122°F
ELECTRICAL DATA	
Power Supply (V/Hz/Φ)	208-230/60/1
Minimum Circuit Ampacity (A)	10
Maximum Overcurrent Protection (A)	15
Outdoor Fan Motor RLA (A)	0.4
Compressor RLA (A)	6.2
No. of Compressors	1

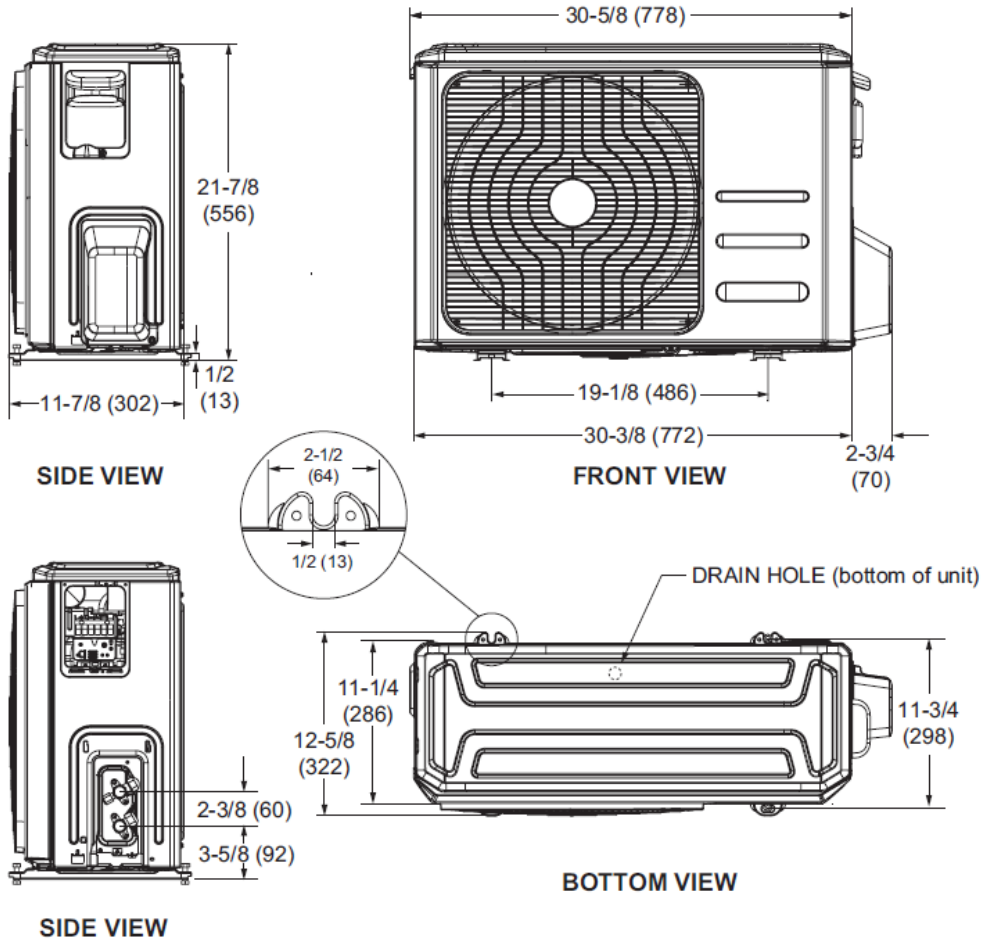
GENERAL DATA	
Connection Ratio (%)	100%
Max. # of Indoor Units	1 unit
Sound Data (dBA) - Cooling	51
Refrigerant type	R-410A
Factory refrigerant charge	1 lbs. 2 oz.

DIMENSIONS		
Unit Dimensions (in)	Height	21-7/8
	Width	30-5/8
	Depth	11-3/4
Shipping Weight (lb)		59
Net Weight (lb)		54

NOTES

1. Cooling and Heating Capacity data is rated at the following conditions:
 Cooling: 80°FDB / 67°FWB Indoor, 95°FDB Outdoor
 Heating: 70°FDB Indoor, 47°FDB / 43°FWB Outdoor

OUTDOOR DIMENSIONAL DRAWINGS - INCHES (MM)



NOTE – Due to Lennox' ongoing commitment to quality, Specifications, Ratings, and Dimensions are subject to change without notice and without incurring liability. Improper installation, adjustment, alteration, service or maintenance can cause property damage or personal injury. Installation and service must be performed by a qualified installer and servicing agency.



SUBMITTAL DATA -WALL-MOUNTED MCA009S4S-1P - MWCA009S4-1P SINGLE ZONE MINI-SPLIT AIR CONDITIONER

INDOOR SPECIFICATIONS

PERFORMANCE

Airflow (CFM)	High	241
	Medium	206
	Low	147
Sound Pressure (dBA)	High	38
	Medium	32
	Low	26.5

ELECTRICAL DATA

Power Supply (V/Hz/Φ)	Supplied by ODU	
Rated load amps (RLA)	0.22	
Power Output (W)	47.4	

DIMENSIONS

Unit Dimensions (in)	Height	11-3/8
	Width	29-5/8
	Depth	8-5/8
Unit Net/Shipping Weight (lb)	17/22	

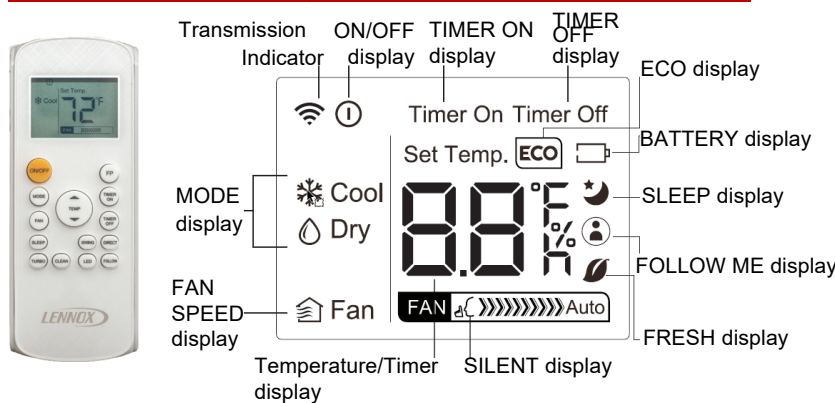
PIPING

Liquid/Gas O.D. Flare (in.)	1/4 , 3/8
Drain Connection O.D. (in.)	1

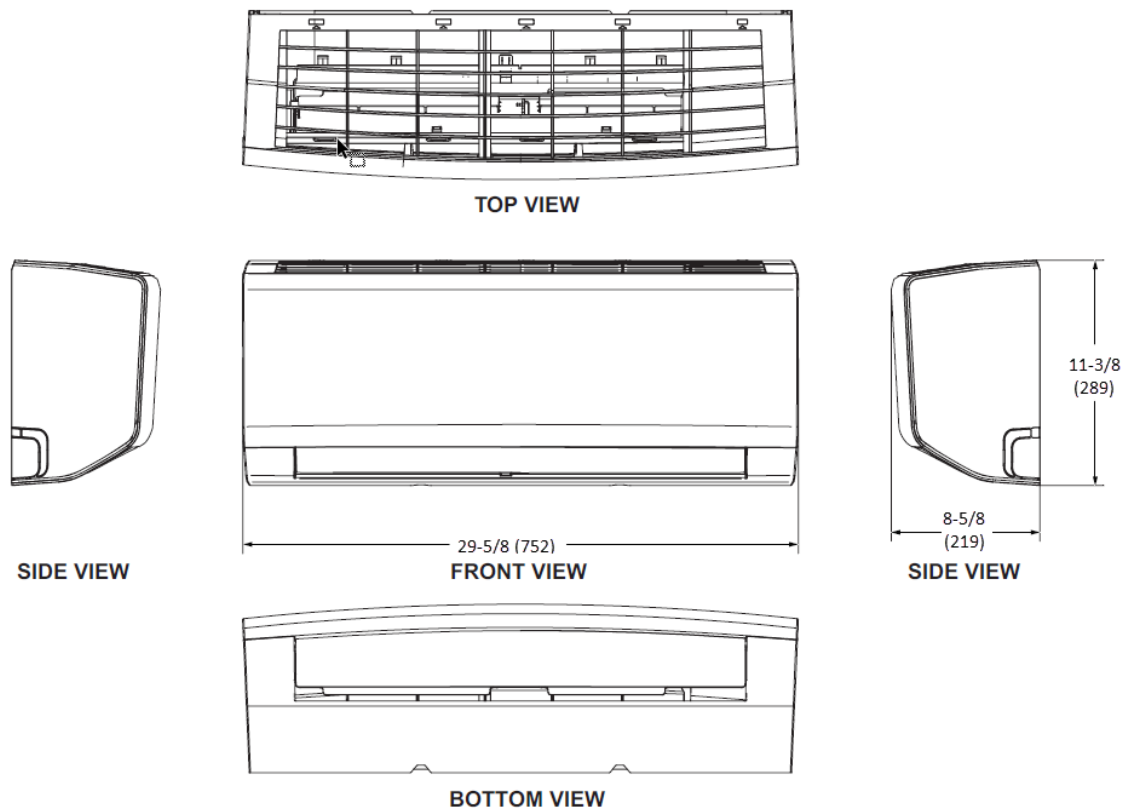
WIRELESS REMOTE CONTROLLER SPECIFICATIONS

Power Supply	2 AAA Batteries (Included)
Setpoint Range	62°F - 86°F
Operating Temperature Range	23°F - 140°F
Operating Humidity Range (RH)	10% to 90%
Effective Receiving Range	25 ft.

DISPLAY



INDOOR DIMENSIONAL DRAWINGS - INCHES (MM)



NOTE – Due to Lennox' ongoing commitment to quality, Specifications, Ratings, and Dimensions are subject to change without notice and without incurring liability. Improper installation, adjustment, alteration, service or maintenance can cause property damage or personal injury. Installation and service must be performed by a qualified installer and servicing agency.