



# SUBMITTAL DATA – WALL-MOUNTED MCA012S4S-1P - MWCA012S4-1P SINGLE ZONE MINI-SPLIT AIR CONDITIONER

Job: \_\_\_\_\_  
 Location: \_\_\_\_\_  
 Schedule No.: \_\_\_\_\_  
 System Designation: \_\_\_\_\_

Engineer: \_\_\_\_\_  
 Architect: \_\_\_\_\_  
 Date: \_\_\_\_\_  
 For:  Reference  Approval  Review  Construction

## FEATURES

Outdoor Unit: MCA012S4S-1P

Indoor Unit: MWCA012S4-1P



- Cooling Only System
- DC Inverter Control
- Compressor Overcurrent Protection

- Auto Restart
- Three Speed Fan
- Flare Connections
- LED Readout
- Multi-Refrigerant Outlet
- Wireless Remote Included

## PIPING

### Line Set and Elevation Guidelines

Maximum Line Set Length ft. (m)	82 (25)
Maximum Elevation - Outdoor Unit Below/Above Indoor Unit ft. (m)	33 (10)
Liquid Line Set Diameter (in.)	1/4
Gas Line Set Diameter (in.)	1/2
Pre-Charged (ft.)	20
Additional Charge Per Ft. (oz.)	0.161

## PRODUCT WARRANTY

Compressor – Five year limited warranty  
 All other covered components - Five year limited warranty

## OPTIONAL ACCESSORIES

Non-Programmable Controller (M0STAT61Q-1)  
 Programmable Controller (M0STAT64Q-1)  
 Hail Guards (M9GARD19Q-1)



NOTE – Due to Lennox' ongoing commitment to quality, Specifications, Ratings, and Dimensions are subject to change without notice and without incurring liability. Improper installation, adjustment, alteration, service or maintenance can cause property damage or personal injury. Installation and service must be performed by a qualified installer and servicing agency.



# SUBMITTAL DATA – WALL-MOUNTED MCA012S4S-1P - MWCA012S4-1P SINGLE ZONE MINI-SPLIT AIR CONDITIONER

## OUTDOOR SPECIFICATIONS

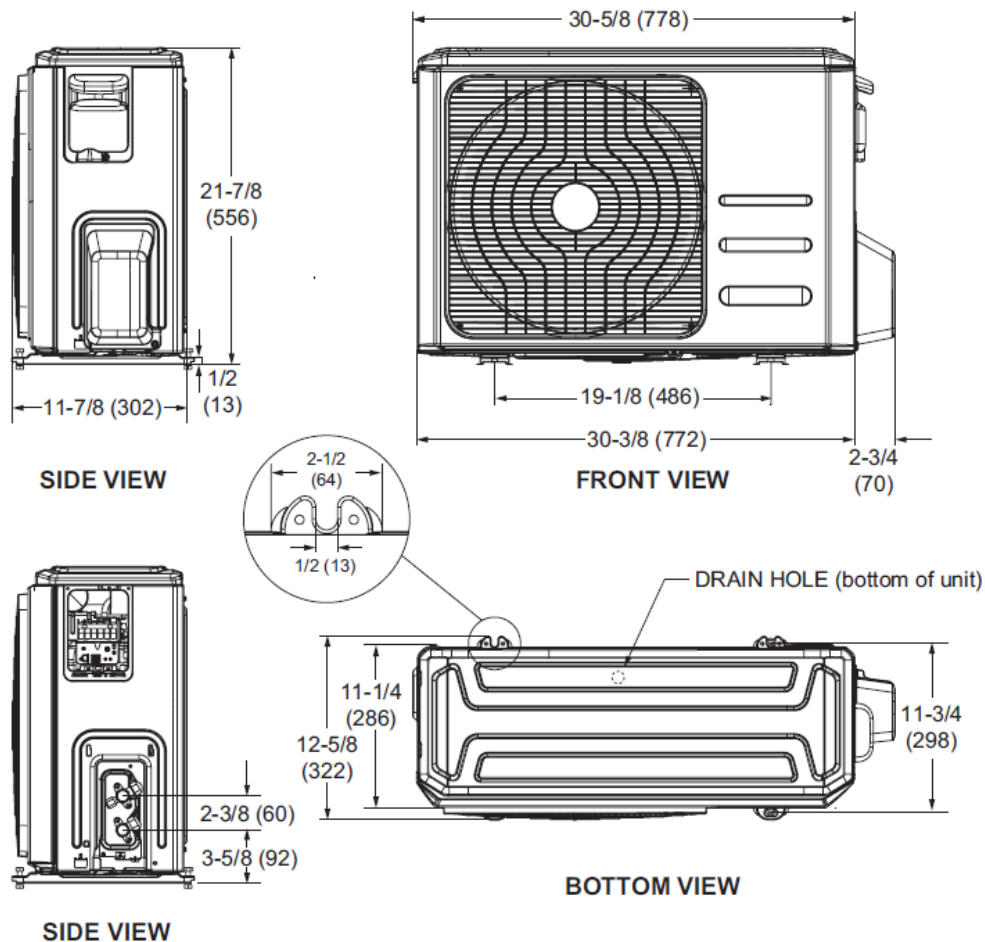
PERFORMANCE	
Cooling Capacity (Btu/h) <sup>1</sup>	11,500
EER	11.10
SEER	19
Outdoor Fan Total Air Volume (CFM)	1,230
Ambient Temperature Operating Range	
Cooling	5°F - 122°F
ELECTRICAL DATA	
Power Supply (V/Hz/Φ)	208-230/60/1
Minimum Circuit Ampacity (A)	11
Maximum Overcurrent Protection (A)	15
Outdoor Fan Motor RLA (A)	0.5
Compressor RLA (A)	6.8
No. of Compressors	1

GENERAL DATA		
Connection Ratio (%)	100%	
Max. # of Indoor Units	1 unit	
Sound Data (dBA) - Cooling	51.5	
Refrigerant type	R-410A	
Factory refrigerant charge	1 lbs. 3 oz.	
DIMENSIONS		
Unit Dimensions (in)	Height	21-7/8
	Width	30-5/8
	Depth	11-3/4
Shipping Weight (lb)	60	
Net Weight (lb)	55	

### NOTES

- Cooling and Heating Capacity data is rated at the following conditions:  
 Cooling: 80°FDB / 67°FWB Indoor, 95°FDB Outdoor  
 Heating: 70°FDB Indoor, 47°FDB / 43°FWB Outdoor

## OUTDOOR DIMENSIONAL DRAWINGS - INCHES (MM)



NOTE – Due to Lennox' ongoing commitment to quality, Specifications, Ratings, and Dimensions are subject to change without notice and without incurring liability. Improper installation, adjustment, alteration, service or maintenance can cause property damage or personal injury. Installation and service must be performed by a qualified installer and servicing agency.



# SUBMITTAL DATA -WALL-MOUNTED MCA012S4S-1P - MWCA012S4-1P SINGLE ZONE MINI-SPLIT AIR CONDITIONER

## INDOOR SPECIFICATIONS

### PERFORMANCE

Airflow (CFM)	High	241
	Medium	194
	Low	206
Sound Pressure (dBA)	High	37.5
	Medium	34.5
	Low	24.5

### ELECTRICAL DATA

Power Supply (V/Hz/Φ)	Supplied by ODU	
Rated load amps (RLA)	0.22	
Power Output (W)	47.4	

### DIMENSIONS

Unit Dimensions (in)	Height	11-3/4
	Width	32-3/4
	Depth	8-3/4

Unit Net/Shipping Weight (lb)	18/24
-------------------------------	-------

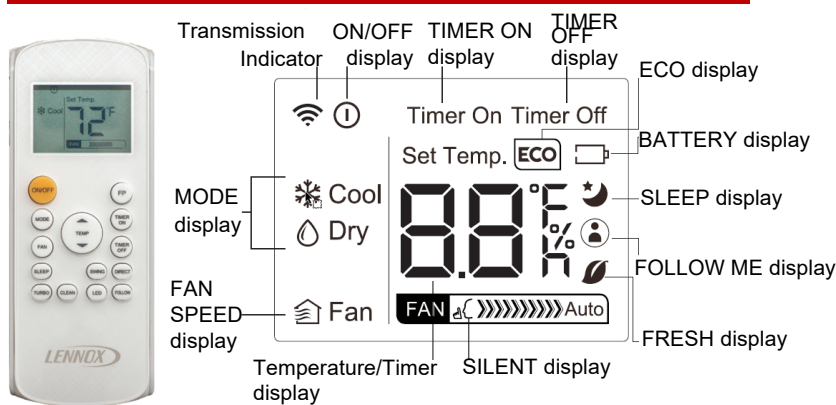
### PIPING

Liquid/Gas O.D. Flare (in.)	1/4 , 1/2
Drain Connection O.D. (in.)	1

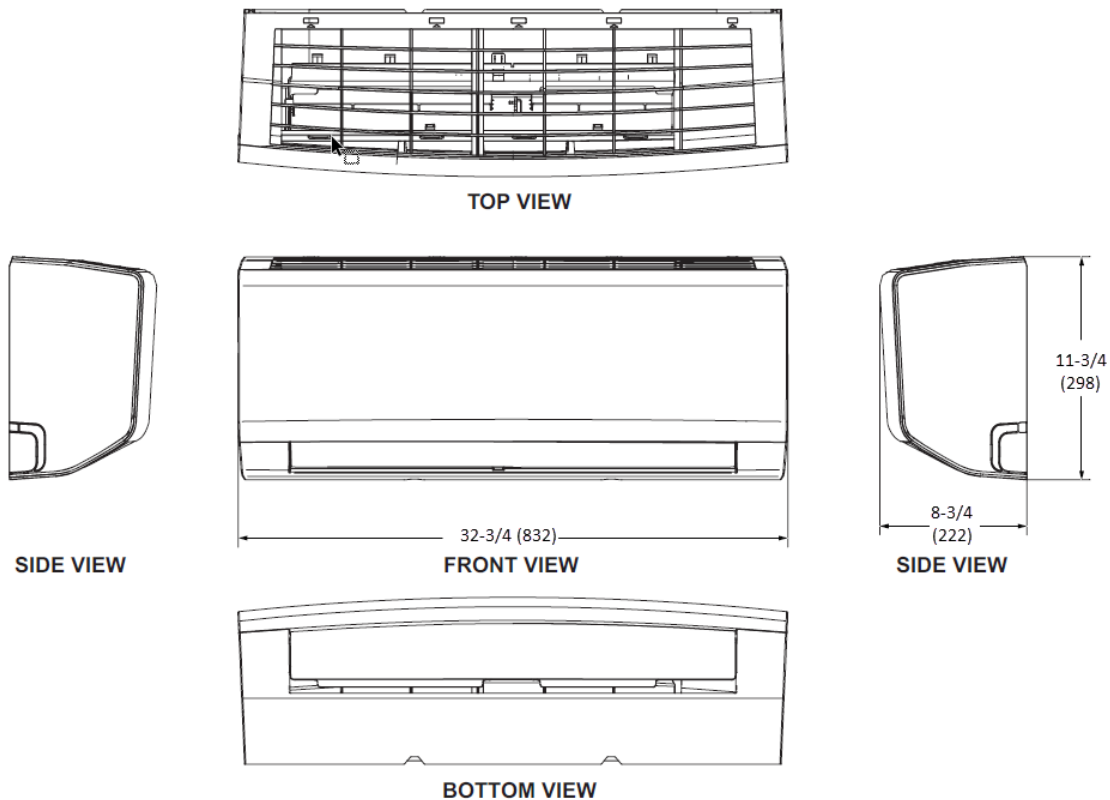
## WIRELESS REMOTE CONTROLLER SPECIFICATIONS

Power Supply	2 AAA Batteries (Included)
Setpoint Range	62°F - 86°F
Operating Temperature Range	23°F - 140°F
Operating Humidity Range (RH)	10% to 90%
Effective Receiving Range	25 ft.

## DISPLAY



## INDOOR DIMENSIONAL DRAWINGS - INCHES (MM)



NOTE – Due to Lennox' ongoing commitment to quality, Specifications, Ratings, and Dimensions are subject to change without notice and without incurring liability. Improper installation, adjustment, alteration, service or maintenance can cause property damage or personal injury. Installation and service must be performed by a qualified installer and servicing agency.