



SUBMITTAL DATA – **WALL-MOUNTED**
MCA024S4S-1P - MWCA024S4-1P
 SINGLE ZONE MINI-SPLIT **AIR CONDITIONER**

Job: _____
Location: _____
Schedule No.: _____
System Designation: _____

Engineer: _____
Architect: _____
Date: _____
 For: Reference Approval Review Construction

FEATURES

Outdoor Unit: MCA024S4S-1P

Indoor Unit: MWCA024S4-1P



- Cooling Only System
- DC Inverter Control
- Compressor Overcurrent Protection

- Auto Restart
- Three Speed Fan
- Flare Connections
- LED Readout
- Multi-Refrigerant Outlet
- Wireless Remote Included

PIPING

Line Set and Elevation Guidelines	
Maximum Line Set Length ft. (m)	98 (30)
Maximum Elevation - Outdoor Unit Below/Above Indoor Unit ft. (m)	66 (20)
Liquid Line Set Diameter (in.)	3/8
Gas Line Set Diameter (in.)	5/8
Pre-Charged (ft.)	30
Additional Charge Per Ft. (oz.)	0.322

PRODUCT WARRANTY

Compressor – Five year limited warranty
 All other covered components - Five year limited warranty

OPTIONAL ACCESSORIES

Non-Programmable Controller (M0STAT61Q-1)
 Programmable Controller (M0STAT64Q-1)
 Hail Guards (M9GARD15Q-1)



NOTE – Due to Lennox' ongoing commitment to quality, Specifications, Ratings, and Dimensions are subject to change without notice and without incurring liability. Improper installation, adjustment, alteration, service or maintenance can cause property damage or personal injury. Installation and service must be performed by a qualified installer and servicing agency.



SUBMITTAL DATA – WALL-MOUNTED MCA024S4S-1P - MWCA024S4-1P SINGLE ZONE MINI-SPLIT AIR CONDITIONER

OUTDOOR SPECIFICATIONS

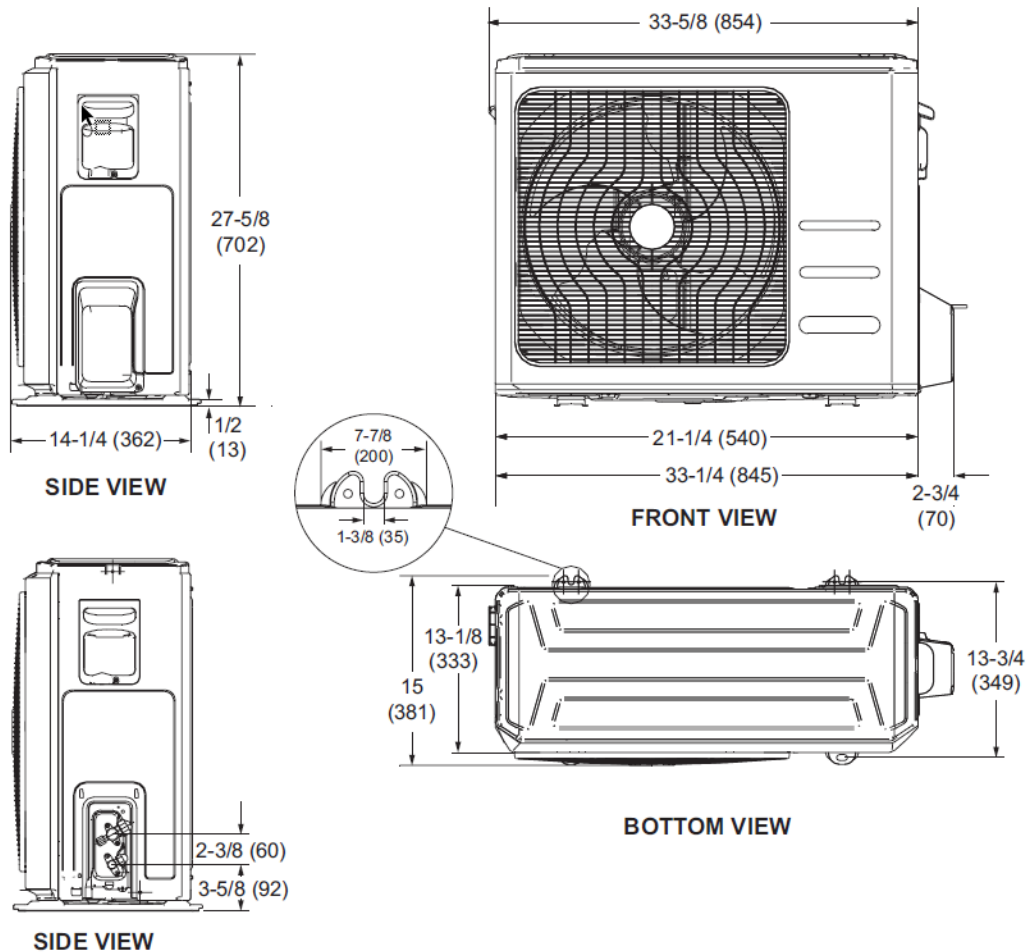
PERFORMANCE	
Cooling Capacity (Btu/h) ¹	22,000
EER	10.90
SEER	19
Outdoor Fan Total Air Volume (CFM)	1,824
Ambient Temperature Operating Range	
Cooling	5°F - 122°F
ELECTRICAL DATA	
Power Supply (V/Hz/Φ)	208-230/60/1
Minimum Circuit Ampacity (A)	18
Maximum Overcurrent Protection (A)	25
Outdoor Fan Motor RLA (A)	0.60
Compressor RLA (A)	12.0
No. of Compressors	1

GENERAL DATA		
Connection Ratio (%)	100%	
Max. # of Indoor Units	1 unit	
Sound Data (dBA) - Cooling	57	
Refrigerant type	R-410A	
Factory refrigerant charge	2 lbs. 9 oz.	
DIMENSIONS		
Unit Dimensions (in)	Height	27-5/8
	Width	33-5/8
	Depth	13-3/4
Shipping Weight (lb)	96	
Net Weight (lb)	89	

NOTES

1. Cooling and Heating Capacity data is rated at the following conditions:
 Cooling: 80°FDB / 67°FWB Indoor, 95°FDB Outdoor
 Heating: 70°FDB Indoor, 47°FDB / 43°FWB Outdoor

OUTDOOR DIMENSIONAL DRAWINGS - INCHES (MM)



NOTE – Due to Lennox' ongoing commitment to quality, Specifications, Ratings, and Dimensions are subject to change without notice and without incurring liability. Improper installation, adjustment, alteration, service or maintenance can cause property damage or personal injury. Installation and service must be performed by a qualified installer and servicing agency.



SUBMITTAL DATA - WALL-MOUNTED
MCA024S4S-1P - MWCA024S4-1P
SINGLE ZONE MINI-SPLIT AIR CONDITIONER

INDOOR SPECIFICATIONS

PERFORMANCE

Airflow (CFM)	High	581
	Medium	456
	Low	331
Sound Pressure (dBA)	High	46
	Medium	40.5
	Low	34

ELECTRICAL DATA

Power Supply (V/Hz/Φ)	Supplied by ODU
Rated load amps (RLA)	0.40
Power Output (W)	89

DIMENSIONS

Unit Dimensions (in)	Height	13-1/4
	Width	44
	Depth	10-1/4

Unit Net/Shipping Weight (lb)	32/40
-------------------------------	-------

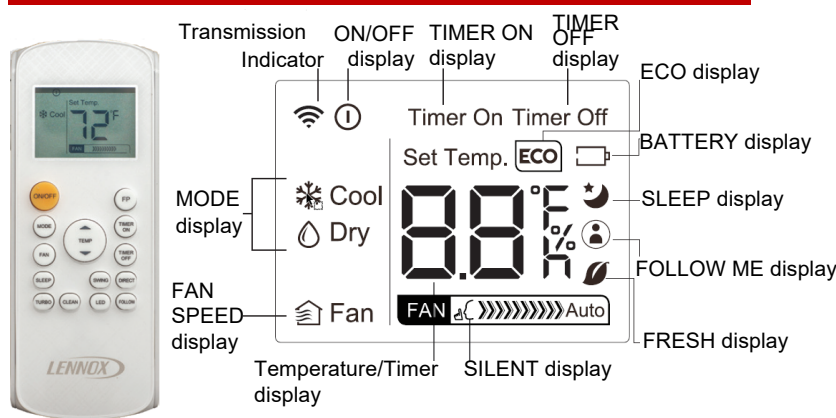
PIPING

Liquid/Gas O.D. Flare (in.)	3/8 , 5/8
Drain Connection O.D. (in.)	1

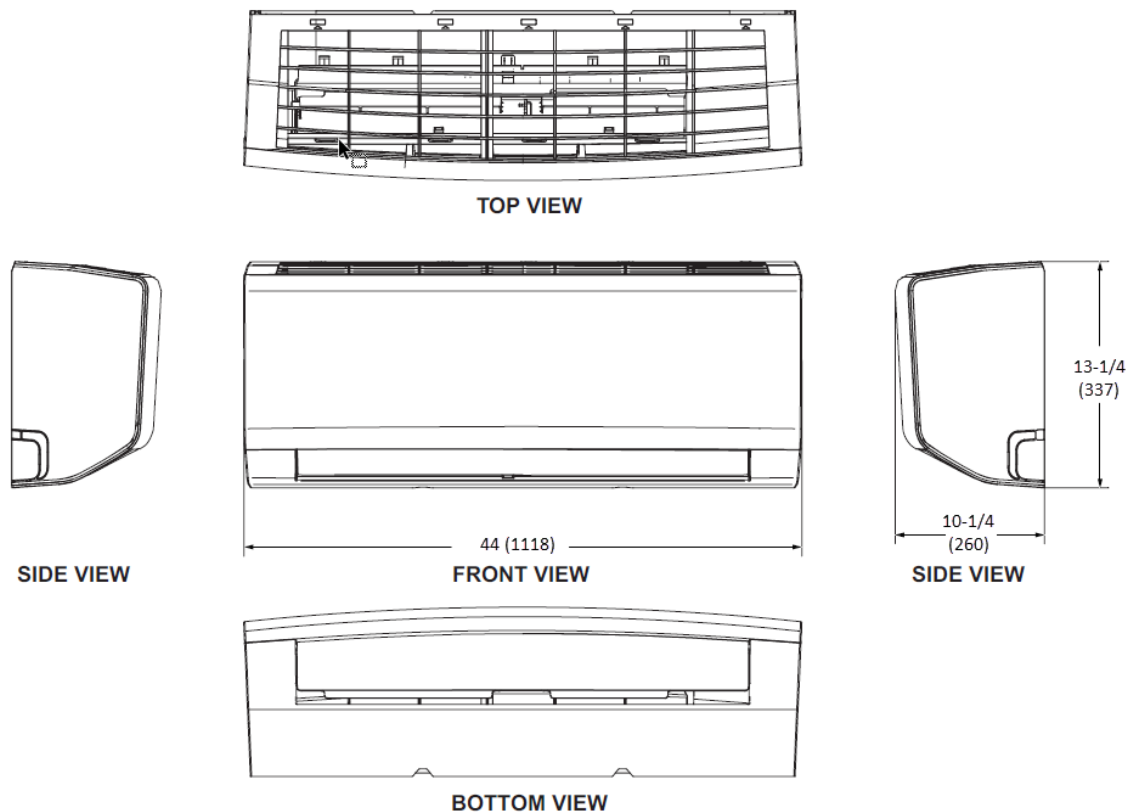
WIRELESS REMOTE CONTROLLER SPECIFICATIONS

Power Supply	2 AAA Batteries (Included)
Setpoint Range	62°F - 86°F
Operating Temperature Range	23°F - 140°F
Operating Humidity Range (RH)	10% - 90%
Effective Receiving Range	25 ft.

DISPLAY



INDOOR DIMENSIONAL DRAWINGS - INCHES (MM)



NOTE – Due to Lennox' ongoing commitment to quality, Specifications, Ratings, and Dimensions are subject to change without notice and without incurring liability. Improper installation, adjustment, alteration, service or maintenance can cause property damage or personal injury. Installation and service must be performed by a qualified installer and servicing agency.
 495816 (202004) ©2020 Lennox Industries, Inc.