



SUBMITTAL DATA - **CEILING/FLOOR** **MCFB018S4-2P**

MULTI-ZONE MINI-SPLIT HEAT PUMP

Job: _____

Location: _____

Schedule No.: _____

System Designation: _____

Engineer: _____

Architect: _____

Date: _____

For: Reference Approval Review Construction

FEATURES

- Pre Heat Function
- Auto Restart
- Flare Connections
- LED Readout Panel
- Refrigerant R-410A
- Wireless Remote Controller included

Product Warranty

All covered components - Twelve year limited warranty.
Product registration required.

SPECIFICATIONS

PERFORMANCE

Cooling Capacity ¹ (Btu/h)		18,000
Heating Capacity ¹ (Btu/h)		18,000
Airflow (CFM)	High	580
	Medium	520
	Low	465
External Static Pressure (in. w.g.)		-
Sound Pressure (dBA)	High	47
	Medium	44
	Low	39

ELECTRICAL DATA

Power Supply (V/Hz/Φ)	208-230/60/1
Rated load amps (RLA)	1.5
Power Output (W)	55

DIMENSIONS

Unit Dimensions (in)	Height	9-1/4
	Width	42
	Depth	26-5/8
Liquid Pipe Connection (in)		1/4
Gas Pipe Connection (in)		1/2
Condensate drain connection (in)		1
Unit Shipping Weight (lb)		66
Unit Net Weight (lb)		55



OPTIONAL ACCESSORIES

Non-Programmable Controller (M0STAT61Q-1):	
Wireless Remote Controller (M0STAT60Q-1):	1+
Programmable Controller (M0STAT64Q-1):	

NOTES

1. Cooling and Heating capacity data is rated at the following conditions:
Cooling: 80°FDB / 67°FWB Indoor, 95°FWB / 75°FDB Outdoor
Heating: 70°FDB / 60°FWB Indoor, 47°FDB / 43°FWB Outdoor

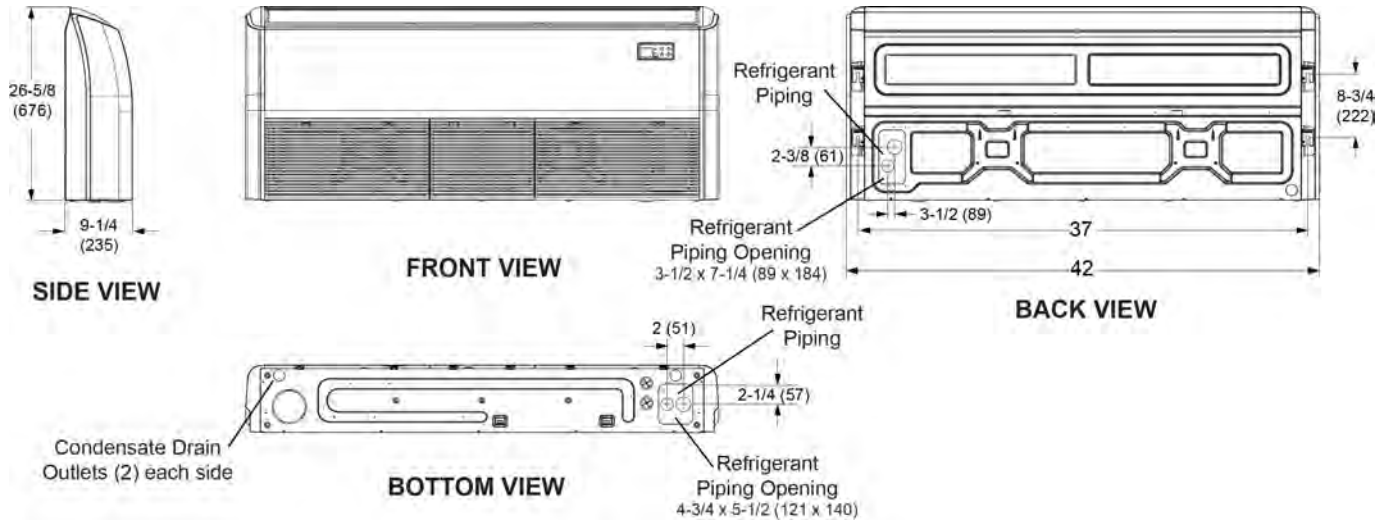


NOTE - Due to Lennox' ongoing commitment to quality, Specifications, Ratings and Dimensions subject to change without notice and without incurring liability. Improper installation, adjustment, alteration, service or maintenance can cause property damage or personal injury. Installation and service must be performed by a qualified installer and servicing agency.



SUBMITTAL DATA – CEILING/FLOOR MCFB018S4-2P MULTI-ZONE MINI-SPLIT HEAT PUMP

DIMENSIONAL DRAWINGS - INCHES (MM)



NOTE – Due to Lennox' ongoing commitment to quality, Specifications, Ratings and Dimensions subject to change without notice and without incurring liability. Improper installation, adjustment, alteration, service or maintenance can cause property damage or personal injury. Installation and service must be performed by a qualified installer and servicing agency.